

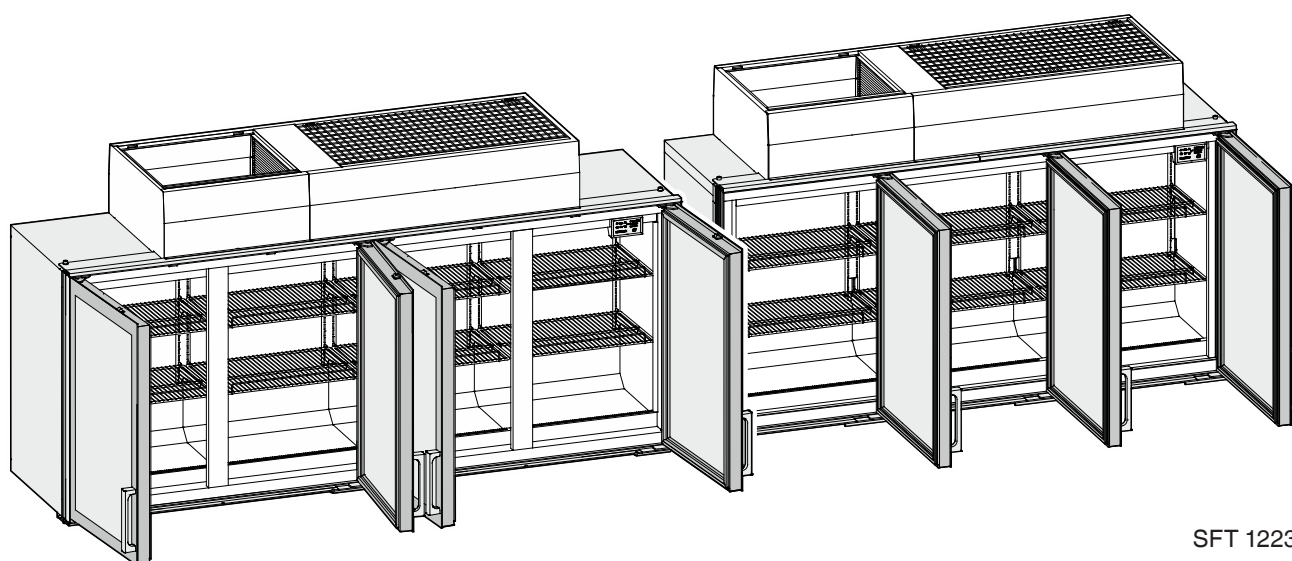
Operating instructions

Supermarket cabinet

Read the operating instructions before switching on for the first time

Page 10

EN



SFT 1223

SFT 1023

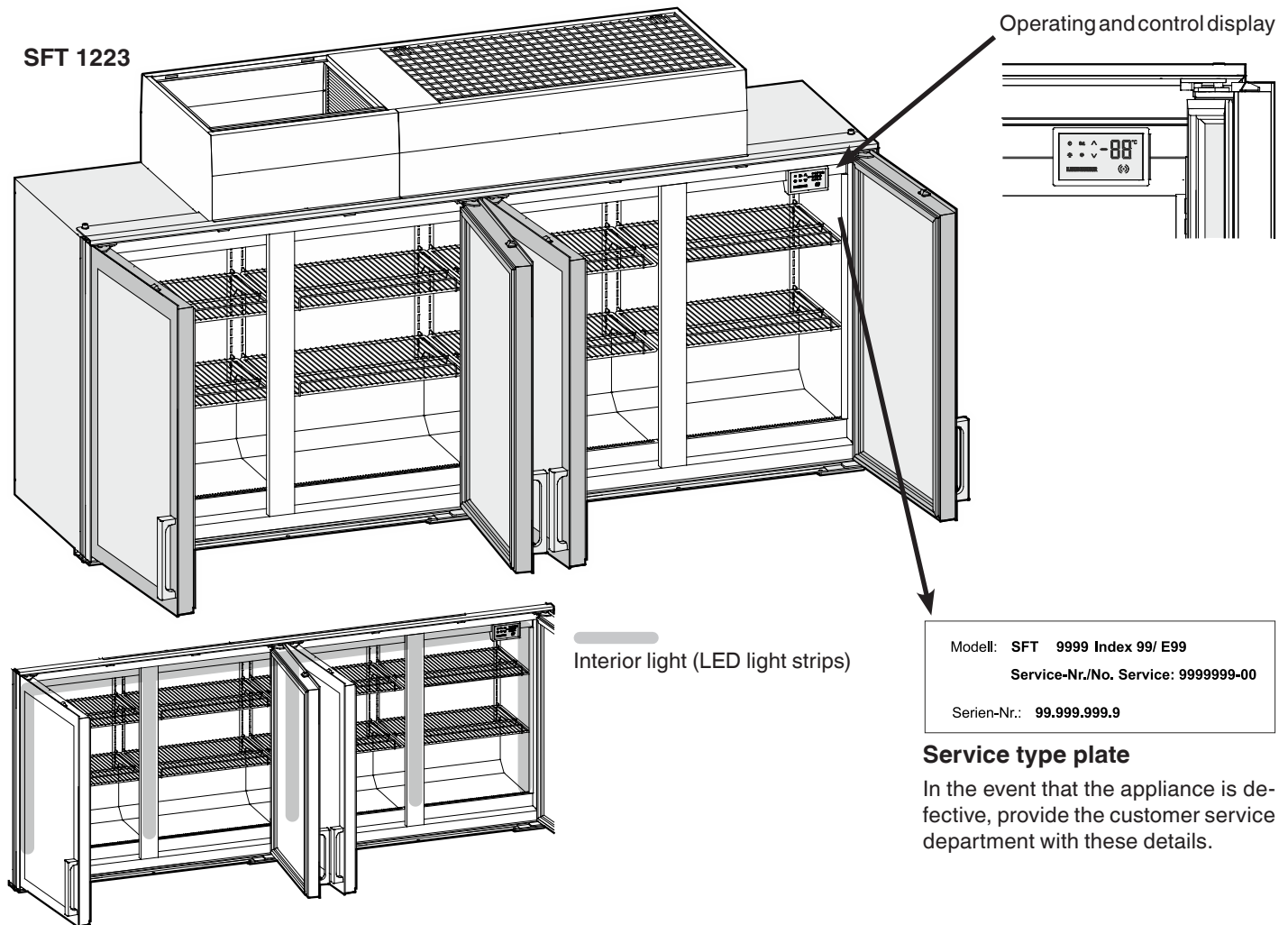
7084 822-02

LIEBHERR

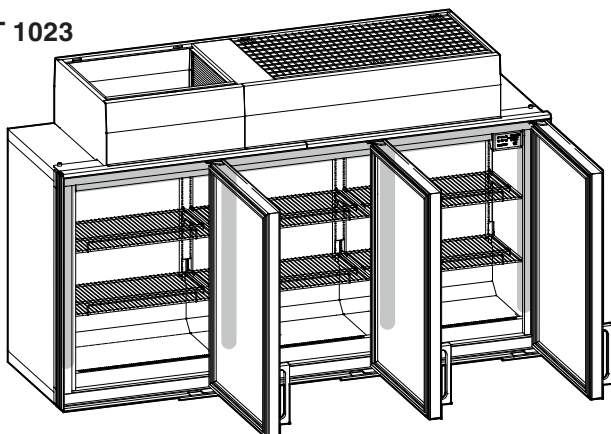
Content

Safety instructions and warnings	11	Interior light (depending on options).....	14
Disposal instructions for packaging material	11	Malfunctions.....	14
Range of appliance use.....	11	Switching the appliance off	15
Appliance dimensions	11	Switching the appliance on	15
EPREL database	11	Repositioning the shelves	15
Climate class	12	Cleaning	16
Noise emissions from the appliance	12	Cleaning the glass door	16
Disposal notes.....	12	Removing the baseplate	16
Display in indicating mode	13	Inserting the baseplate.....	16
Setup mode	13	Customer service	17
Activating setup mode	13	Shutting down the appliance.....	17
Setting the real time clock	13	Additional information:.....	17
Changing the temperature setting.....	14		
Activating the defrost function manually	14		

Description of the appliance



SFT 1023



Safety instructions and warnings

- If there is obvious transport damage on the appliance after it has been unpacked, contact the supplier. **Do not start the appliance.**
- Disconnect the appliance from the mains if any fault occurs. Trip the fuse upstream of the appliance. Transfer food to other appliances.
- Only carry out repair and other work on the appliance when the mains plug has visibly been disconnected.
- Any repairs and work on the appliance should only be carried out by the customer service department, as unauthorised work could prove highly dangerous for the user. The same applies to changing the mains power cable.
- Do not allow naked flames or ignition sources to enter the appliance. When transporting and cleaning the appliance, ensure that the refrigerant circuit is not damaged. In the event of damage, make sure that there are no ignition sources nearby and keep the room well ventilated.
- Avoid prolonged skin contact with cold surfaces or chilled/frozen food. This could cause pain, numbness and frostbite. In the case of prolonged skin contact, protective measures should be taken, e.g. gloves should be worn.
- Do not store food whose use-by date has expired in the appliance. Eating such goods can cause food poisoning.
- Do not store explosive substances or spray cans with inflammable propellants in the appliance. Electrical components might cause leaking gas to ignite.
- Do not use electrical appliances inside the appliance.
- The appliance is designed for use in enclosed areas. Do not operate the appliance outdoors or in areas where it is exposed to splash water or damp conditions.
- The LED light strips illuminate the interior of the appliance. They are not suitable for lighting a room.
- Do not place any objects on the appliance.
- Do not use any mechanical devices or other artificial aids for defrosting other than those recommended by the manufacturer.
- Do not cover the ventilation openings.
- Ensure that the refrigerant circuit pipes will not be damaged.

Disposal instructions for packaging material

WARNING

Danger of suffocation due to packing material and plastic film!

Do not allow children to play with packaging material.

Dispose of the packaging material in compliance with current regulations.

Range of appliance use

This appliance is only suitable for **storing food that has already been frozen.**

The appliance is not suitable for freezing fresh food.

Any misuse of the appliance may result in damage to or spoilage of stored goods.

Appliance dimensions

	Width [mm]	Height [mm]	Depth with handle [mm]
SFT 1223	2500	1283	710
SFT 1023	2100	1283	710

Important

The maximum load per grid shelf is 25 kg.

No more than two grid shelves may be fitted one above the other.

Maximum appliance load: 300 kg

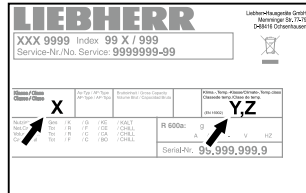
EPREL database

As from 1 March 2021, information about energy labelling and ecodesign requirements will be available in the European product database (EPREL). You can access the product database using the following link: <https://eprel.ec.europa.eu/>. You will be asked to enter the model identifier. You will find the model identifier on the type plate.

Climate class

The climate class [X] specifies the ambient conditions in which the appliance can be operated safely.

The climate class [Y] and temperature class [Z] define the maximum outline conditions in which the appliances will operate perfectly.



The climate rating is indicated on the type plate.

[X] Climate class	Max. room temperature	Max. relative humidity
3	25 °C	60 %
4	30 °C	55 %
5	40 °C	40 %
7	35 °C	75 %

The minimum room temperature at the place of installation is 16°C.

[Y] Climate class	Temperature [°C]	Relative humid- ity [%]
0	20	50
1	16	80
8	24	55
2	22	65
3	25	60
6	30	55
6	27	70
5	40	40
7	35	75

Recommended temperature setting:

[Z] Temperature class	Temperature setting [°C]
L1	-18
L2	-18
L3	-15
M0	+4
M*	6
M1	+5
M2	+7
H1	+10
H2	+10

Noise emissions from the appliance

The noise level while the appliance is operating is below 70 dB(A) (relative noise level 1 pW).

The appliance complies with the relevant safety regulations and EU Directives 2014/30/EU and 2006/42/EG.

Disposal notes

The appliance contains reusable materials and should be disposed of properly - not simply with unsorted household refuse.



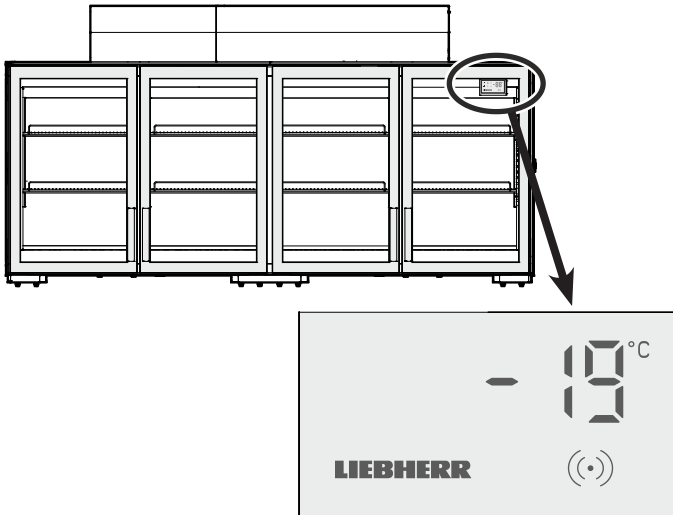
Appliances which are no longer needed must be disposed of in a professional and appropriate way, in accordance with the current local regulations and laws.

When disposing of the appliance, ensure that the refrigerant circuit is not damaged to prevent uncontrolled escape of the refrigerant it contains (data on type plate) and oil.

Display in indicating mode

After being commissioned by the team of technicians, the display will be in indicating mode.

The display shows the current interior temperature.

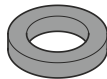


Important note

The goods must not be inserted until -18°C is shown in the display.

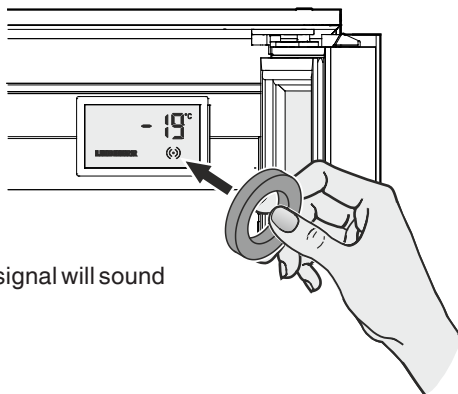
Setup mode

The supplied release key is required to activate setup mode.



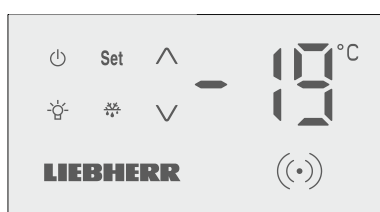
Activating setup mode

- Touch the activation point on the display with the release key.



An audible warning signal will sound for 1 second.


The operating symbols are displayed.



Note

If no button is pressed for 2 minutes, the electronic control system will automatically switch back to indicating mode.

Setting the real time clock

- Activate setup mode using the release key 
- Press and hold the **Set** button for 5 seconds. Display = **⌚**
- Press **∇**. Display = **h**
- Press **Set**. Display = **hh ↔ 00**
- Set the hour by pressing the **∇** **∧** buttons.
- Press **Set**. Display = **nn ↔ 00**
- Set the minute by pressing the **∇** **∧** buttons.
- Press **Set**. The new setting will be saved.

The electronic control system will switch back to indicating mode.

- Press and hold the **Set** button for 5 seconds. Display = **⌚**
- Press **∇**. Display = **d**
- Press **∇**. Display = **dt**
- Press **Set**. Display = **yr ↔ 00**
- Set the year by pressing the **∇** **∧** buttons.
- Press **Set**. Display = **nn ↔ 00**
- Set the month by pressing the **∇** **∧** buttons.
- Press **Set**. Display = **dy ↔ 00**
- Set the day by pressing the **∇** **∧** buttons.
- Press **Set**. The new setting will be saved.

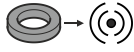
The electronic control system will switch back to indicating mode.

Changing the temperature setting


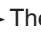
The desired temperature can be set between -18°C and -23°C.

Depending on the customer's version, different control areas may be blocked or released.

Proceed as follows:

- Activate setup mode using the release key 

The current temperature inside the appliance is displayed.

- Press  **-23** flashes.
- Press **Set**  The new setting will be saved.

The electronic control system will switch back to indicating mode.

Note

Repeat these steps to reset the temperature to -18°C.

Press the  button instead of the  button.

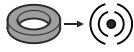


Activating the defrost function manually


The appliance defrosts automatically.

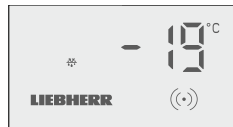
Increased frost may form on the interior container in high ambient temperature and humidity.

In this case, activate the defrost function manually.

Proceed as follows:

- Activate setup mode using the release key 
- Press   flashes.
- Press **Set**. The defrosting process will be started.

The electronic control system will switch back to indicating mode. The LED  will be lit until the defrosting process is finished.

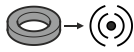




Interior light

(depending on options)

Switch the interior light on or off as required.

Switching on the interior light

- Activate setup mode using the release key 
- Press   flashes.
- Press **Set**. The interior light is switched on.

Note

Repeat these steps to switch off the interior light again.


Lighting	
Class ¹	Light source
This product contains a light source that meets energy efficiency rating E	LED
¹ The appliance may contain light sources with different energy efficiency classes. The lowest energy efficiency class is indicated.	

Malfunctions

The release key symbol (dot) will flash in the event of a malfunction or if the appliance is defective.



Proceed as follows::

- Activate setup mode using the release key 

Either a **flashing temperature display** or an **error code** will appear in the display.

Action to take if the temperature display is flashing

- First check whether the appliance doors are closed.

If the temperature falls after closing the doors, no further action is required.

If no drop in temperature is apparent after approx. 10 minutes:

- Transfer the goods immediately to other appliances.
- Notify the customer service department.

Action to take if an error code is displayed

Error code F1, F2, F4 or F5

The temperature sensor in the appliance is defective.

Action

- Notify the customer service department.

The goods can be left in the appliance since the temperature is maintained by the appliance being in emergency mode.

Error code Ht

The temperature inside the appliance is too high (warm).


Action

- Transfer the goods immediately to other appliances.
- Notify the customer service department.

Error code nA



A mains failure has occurred.

Action

- Press **Set**  The maximum (warmest) temperature during the mains failure is displayed.

- Decide whether the goods can be used depending on the level of the temperature rise.

Switching the appliance off

- Activate setup mode using the release key 
- Press and hold the  button for 5 seconds.


The temperature display will go out.

The interior light will go out.

The release key symbol (dot) will still be lit to show that the appliance is connected to the electricity supply.





Important note

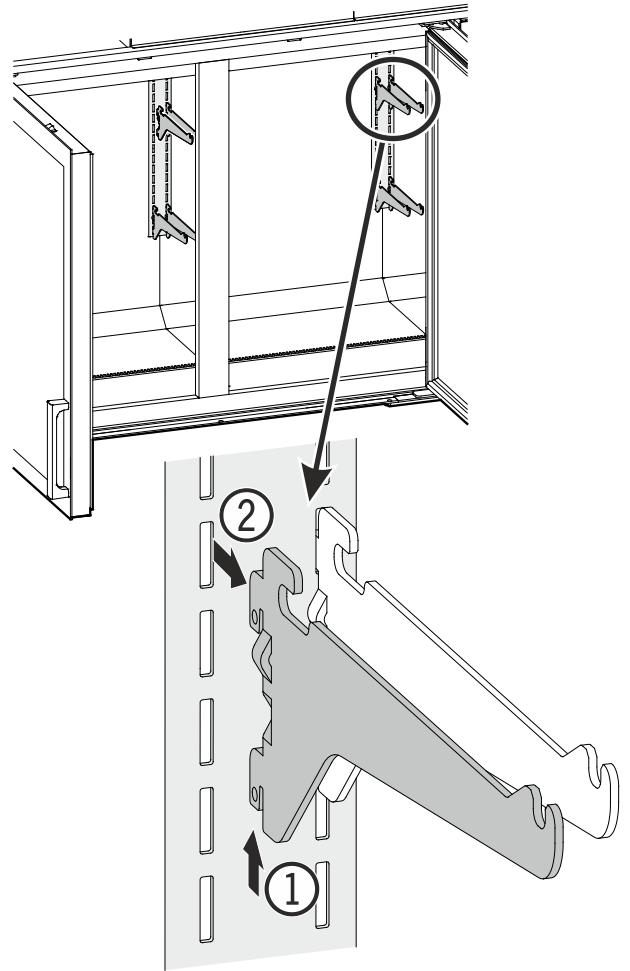
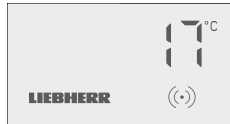
If the appliance has been switched off using the  button, the refrigeration system is switched off but the appliance has not been fully disconnected from the mains.

Before cleaning, always disconnect the appliance from the mains. Switch off the fuse.

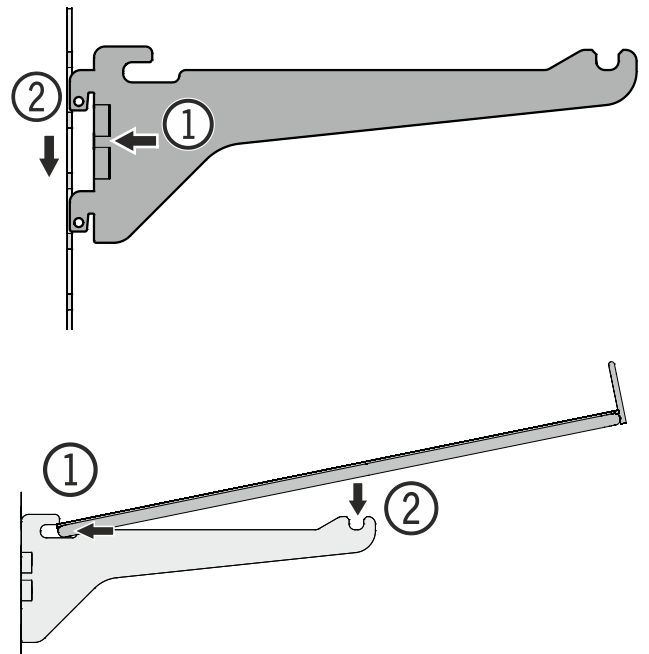
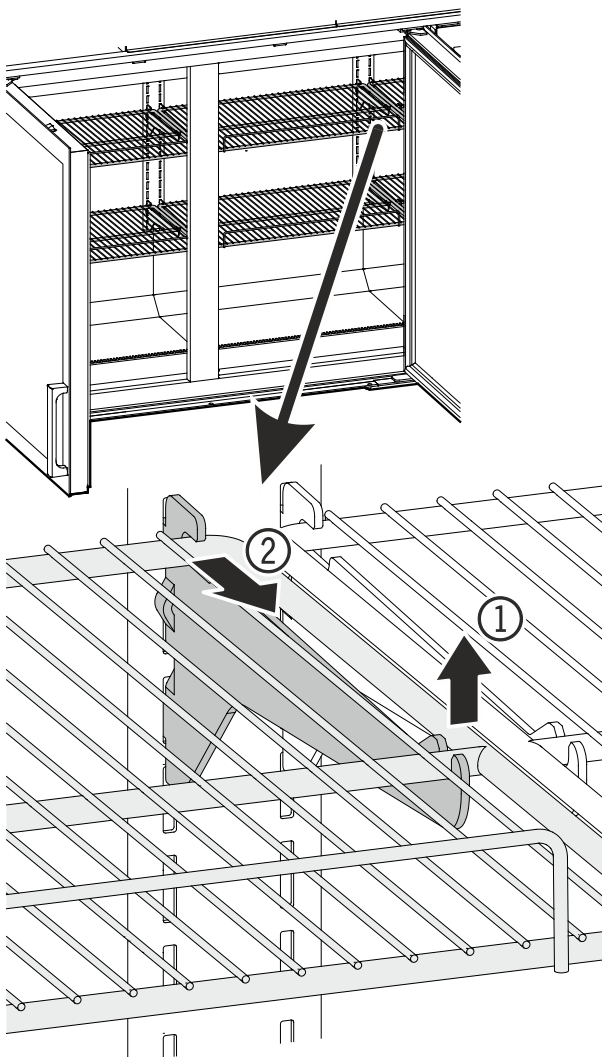
Switching the appliance on

- Activate setup mode using the release key 
- Press the  button.

The display will show the current temperature inside the appliance.



Repositioning the shelves



Cleaning

The appliance may only be cleaned by authorised, trained personnel.

Clean the appliance at least twice per year.

Do not use steam cleaning equipment to clean the appliance. This may cause damage or injuries.

Do not use acidic, highly alkaline or abrasive cleaning products.

Do not use chemical solvents.

Do not use abrasive cleaning cloths or sponges.

Use a damp cloth only around the electronic display. Ensure that no moisture gets into the electrical components.

Before cleaning, always disconnect the appliance from the mains. Switch off the fuse.

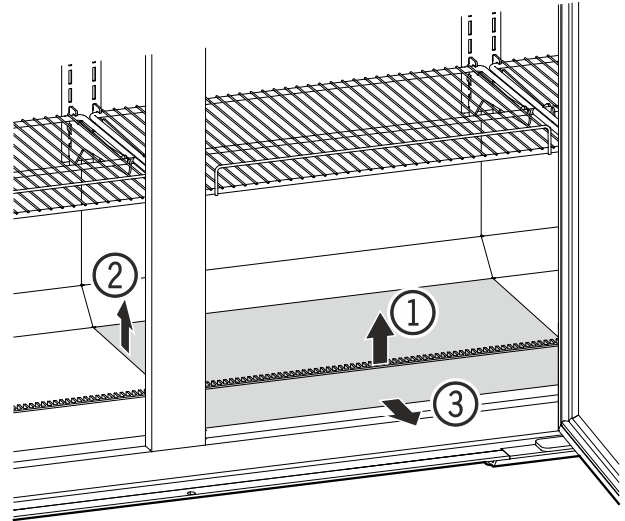
The condenser may only be cleaned by a technician who has been authorised and trained by LIEBHERR.

Cleaning the glass door

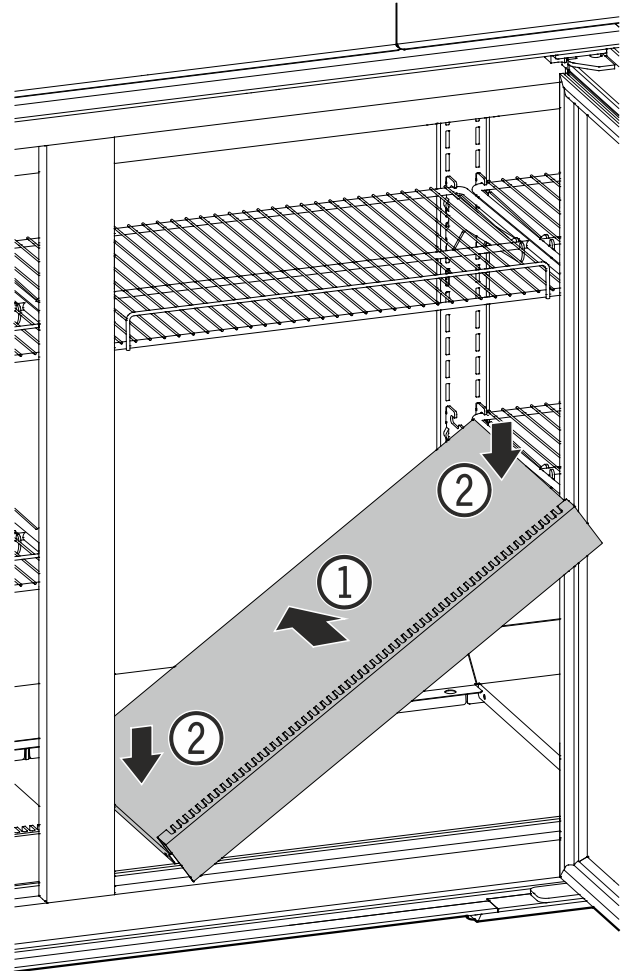
Guideline for correct maintenance of anti-fog film:

- When the surface becomes dirty due to fingerprints, wipe them off with a soft cloth soaked in water (or neutral detergent diluted with water) - do not rub roughly. If you use alcohol-based cleaning products, their alcohol content must not exceed 35 %.
- Do not use chemicals or solvents.
- Do not use brushes or abrasives.
- Do not rub with sharp objects (ballpoint pen, scissors, etc.) or hard objects (shoes, bag, etc.).
- Do not spill or spray liquids directly on the film.
- Do not remove the film once applied on the glass door: adhesive properties will vanish once removed.
- Do not use, store or leave the film in hot places or under a direct source of heat, e.g. by the fire, near a heater, etc.

Removing the baseplate



Inserting the baseplate



Customer service

If the appliance suffers a malfunction:

- Transfer the stored goods to other appliances.
- Switch off the appliance.
See section entitled **Switching the appliance off**.
- Disconnect the appliance from the mains > switch off the fuse.
- Notify the customer service department quoting the appliance details.

The appliance details are shown on the service type plate.

The position of the service type plate is shown in the section entitled **Description of the appliance**.

Shutting down the appliance

If the appliance is shut down for a lengthy period of time:

Switch off the fuse.

Clean the appliance and leave the door open in order to prevent unpleasant smells.

Additional information:

- Food will remain fresh for longer if stored at the correct temperature. This can prevent having to discard food needlessly.
- If the condenser coil is not cleaned every year, it will significantly reduce the appliance's efficiency.
- The period during which spare parts, necessary for the repair of the refrigerating appliance with a direct sales function, are available is 10 years.
- The minimum duration of the guarantee of the refrigerating appliance with a direct sales function offered by the manufacturer, importer or authorised representative is 2 years.



Liebherr Hausgeräte Lienz GmbH

Dr.-Hans-Liebherr-Strasse 1

A-9900 Lienz

Österreich

www.liebherr.com

