

SRBbsh 5260

Freestanding refrigerator with BioFresh Professional

Prime



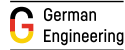
Freestanding

LIEBHERR

SRBbsh 5260

Freestanding refrigerator with
BioFresh Professional

◊ Prime



← 60 →



Energy consumption (kWh/yr) / Star rating	112 ¹ / 6.0
Total volume	384 l ²
Volume	BioFresh compartment: 138.4 l
Noise output	34 dB(A)
Climate rating	SN-T (+10 °C to +43 °C)
Frequency / voltage	50-60 Hz / 220-240 V~
Connection Rating	1.2 A
Door / Side walls	BlackSteel / BlackSteel
Exterior dimensions in cm (h / w / d)	185.5 / 59.7 / 67.5 ³
Controls	
Type of Control	2.4" TFT-colour display behind-the-door, touch- & swipe Digital temperature display for fridge and BioFresh compartments
SmartDevice compatible	Optional extra SmartDeviceBox required
Door alarm	visual and acoustic
Fridge compartment	
Forced air system	PowerCooling with FreshAir activated charcoal filter
Door interior	Premium GlassLine storage shelves with bottle holder, removable VarioBoxes, adjustable egg tray
VarioSafe	yes
Bottle shelf	Integrated bottle shelf
Interior light	LED light panel, both sides LED BioFresh lighting
BioFresh-Safes	3 BioFresh safes with SoftTelescopic, 1 Fruit & Vegetable safe, 1 Fish & Seafood safe, 1 Meat & Dairy safe
Features	
Side-by-Side concept	Side wall heating left, suitable for combination with other refrigerators, freezers and/or wine appliances
Door hinges	Reversible door hinging, right
Replaceable door seal	yes
EAN-Nr.	4016803136811

¹ To achieve the indicated energy consumption level, the wall spacers provided with the appliance must be used. These increase the appliance depth by approximately 1.5 cm. If the wall spacers are not used, the appliance will remain fully functional, but will have a slightly higher energy consumption level.

² In accordance with Regulation EU 2019/2016 we indicate the total volume to the nearest integer (rounded off) and the volume of the frozen compartments and refrigeration compartments to one place after the decimal point.

Features



BioFresh Fish & Seafood safe

Love fish? Your Liebherr keeps fish fresh! The Fish & Seafood Safe stores fish and seafood at the optimum temperature of $-2\text{ }^{\circ}\text{C}$; as professionally as your fishmonger. Adjust the size of the $-2\text{ }^{\circ}\text{C}$ zone as much as you want – and store the remaining meat and dairy products at the optimum $0\text{ }^{\circ}\text{C}$. An LED display indicates that the $-2\text{ }^{\circ}\text{C}$ zone is currently active.



BioFresh Fruit & Vege safe

Crunchy salad and strawberries: the most delicate foods deserve a special place so they stay fresh longer – in BioFresh safes. In the Fruit & Vegetable safe the temperature is close to $0\text{ }^{\circ}\text{C}$. Combined here with the constant humidity, thanks to the air-tight closure, unpackaged fruit and vegetables feel particularly at home. You do not have to adjust anything.



BioFresh Meat & Dairy safe

Do you want the tender veal fillet or fresh milk to stay fresh for as long as possible? The BioFresh safes will ensure this is the case. In the Meat & Dairy Safe, the temperature is close to $0\text{ }^{\circ}\text{C}$ – ideal storage conditions for even the most delicate of foods. And best of all, everything is perfectly adjusted in the factory for immediate use – and for longer freshness.



BlackSteel

BlackSteel is a highly visually attractive black stainless steel with an extraordinary appearance. It has a unique cross-section polish with a deep grain. The SmartSteel finishing lends a timeless elegance with a special depth of field. At the same time, it significantly reduces the visibility of fingerprints, is particularly easy to clean, and is resistant to scratches.



LightTower

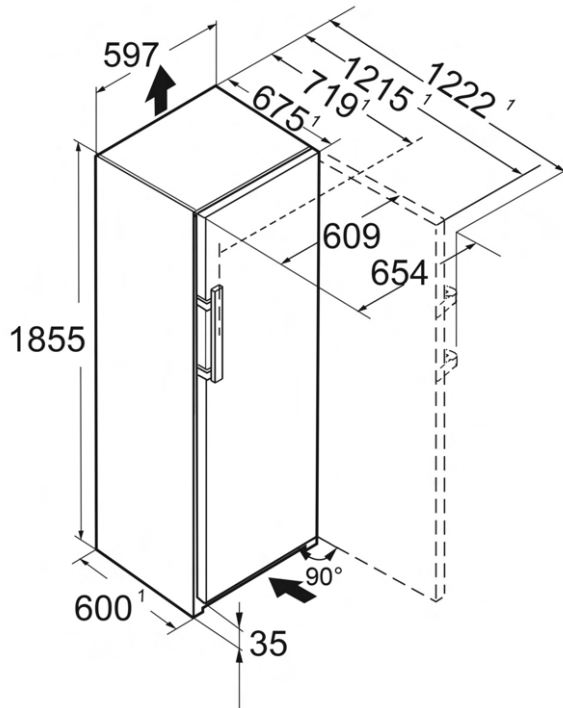
Enjoy an optimally illuminated interior: the LightTower shows off the food in its best light and is positioned so that all of your filled fridge is illuminated at all times. The flush mounting of the LightTower in the side walls means there is also more space for your food.



Touch & Swipe display

Control of your Liebherr at your fingertips: thanks to the Touch & Swipe display, you can operate your refrigerator intuitively and with ease. Simply select functions such as SuperCool on the colour display by tapping and swiping. The temperature is controlled just as easily. And, what if you are not actively using the display? Well, it then shows you the actual temperature.

Technical drawing



Products and their details are staged for advertising purposes. Whilst every effort is made to ensure all specifications and information in this flyer are accurate, Liebherr reserves the right to make changes without notification. Where actual appliance measurements, specifications, and ratings are crucial, we recommend that the actual appliance installation instructions that accompany each appliance be checked. Liebherr will not be liable for any damage. (25.07.2024)

