

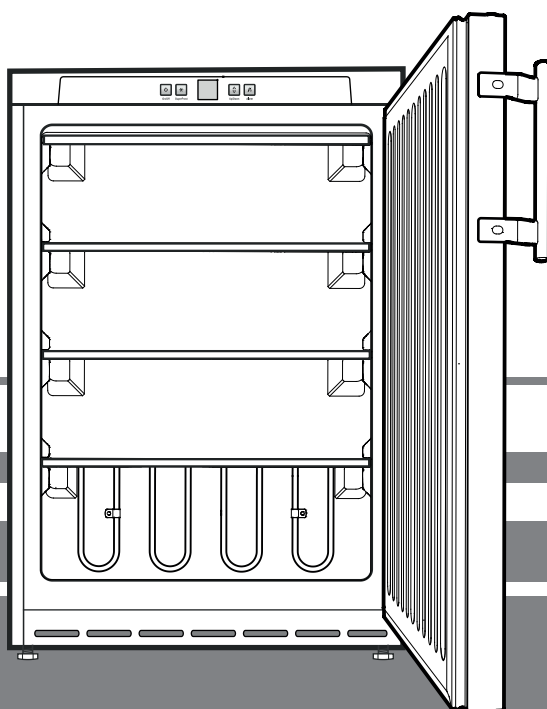
Original operating instructions

Freezer

Read the operating instructions before switching on for the first time

Page 12

EN



GGU 1400
GGUesf 1405

7083 194-00

Content

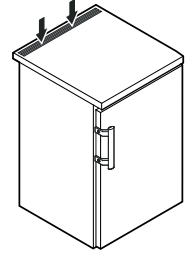
Priority of warnings.....	12
Safety instructions and warnings	12
Symbols on the appliance	13
Intended use.....	13
Foreseeable incorrect use.....	13
Declaration of conformity	13
Noise emissions from the appliance	13
Climate rating	13
Description of the appliance.....	14
Setting up	14
Levelling the appliance.....	14
Installation dimensions (mm).....	14
Safety lock.....	14
Electrical connection.....	15
Operating and control elements	15
Switching the appliance on and off	15
Setting the temperature.....	15
Door open alarm.....	15
Temperature alarm	15
Set-up mode.....	16
Storing	16
SuperFrost.....	16
Defrosting	17
Cleaning	17
Malfunctions.....	17
Shutting your appliance down	17
Disposal notes.....	17
Changing over door hinges	18

Priority of warnings

⚠ DANGER	identifies a situation involving direct danger which, if not obviated, may result in death or severe bodily injury.
⚠ WARNING	identifies a dangerous situation which, if not obviated, may result in death or severe bodily injury.
⚠ CAUTION	identifies a dangerous situation which, if not obviated, may result in minor or medium bodily injury.
NOTICE	identifies a dangerous situation which, if not obviated, may result in damage to property.
Note	identifies useful information and tips.

Safety instructions and warnings

- **WARNING:** do not seal ventilation openings on the appliance housing or enclosure. →



- **WARNING:** only use the mechanical devices or other aids recommended by the manufacturer to help speed up the defrosting process.

- **WARNING:** do not damage the refrigerant circuit.

- **WARNING:** do not use any electrical devices in the refrigerator compartment which do not comply with the design recommended by the manufacturer.

- **WARNING:** the mains cable must not be damaged while installing the appliance.

- **WARNING:** multi-sockets or distributor strips and other electronic devices (such as halogen transformers) must not be positioned and operated at the rear of appliances.

- **WARNING:** this appliance must be secured as described in the operating instructions to rule out any potential risks due to its instability.

- This appliance can be used by children of 8 years old and over, and also by persons with restricted physical, sensory or mental capacity or lack of experience and knowledge, if they are supervised or have been instructed on safe use of the appliance and understand the resulting risks. Children must not be allowed to play with the appliance. Cleaning and user maintenance must not be carried out by children without supervision.

- Do not store any explosive substances, such as aerosol containers with flammable propellant gas, inside the appliance.

- To prevent injury and damage to property, the appliance should only be installed by two people.




- After unpacking it, check the appliance for signs of damage. Contact the supplier if it is damaged. Do not connect the appliance to the mains power supply.

- Avoid prolonged skin contact with cold surfaces (e.g. chilled/frozen products). If necessary, take safety action (e.g. gloves).

- All repairs and work on the appliance may only be carried out by customer service personnel or other trained personnel. The same applies to changing the mains power cable.

- Only carry out repair and other work on the appliance when the mains plug has visibly been disconnected.
- Only install, connect and dispose of the appliance as described in these operating instructions.
- In the event of a fault, pull out the plug or switch off the fuse.
- When disconnecting the appliance from the mains, pull on the plug. Do not pull on the cable.
- Ensure that food which has been stored for too long is not consumed. Dispose of food which has been stored for too long properly.
- Do not allow naked flames or ignition sources to enter the appliance.
- Alcoholic drinks or other vessels containing alcohol should be sealed tightly for storage.

Symbols on the appliance

	The symbol can be located on the compressor. It refers to the oil in the compressor and indicates the following danger: swallowing or inhaling can be fatal. This is only relevant for recycling. There is no danger in normal operation.
	Warning about inflammable substances.
	A sticker to this effect may be applied to the rear of the appliance. It refers to the foampadded panels in the door and/or the housing. This is only relevant for recycling. Do not remove the sticker.

Intended use

The appliance is suited only for cooling food.

This appliance may be used to display food and drink in retail sales outlets. It is suitable for commercial use, for example in restaurants, canteens, hospitals and in commercial businesses such as bakeries, butchers' shops, supermarkets, etc.

This professional refrigeration appliance is designed for storing frozen food. It is **not** designed for the presentation of food or for the removal of food by customers.

The appliance is designed for use in enclosed rooms. All other types of use are not permitted.

Foreseeable incorrect use

Do not use the appliance for the following applications:

- Storage and cooling of medicines, blood plasma, laboratory preparations or similar substances and products subject to the Medical Devices Directive 2007/47/EC.
- Use in potentially explosive atmospheres.
- Use outdoors or in areas where it is exposed to splash water or damp conditions.

Incorrect use of the appliance will result in damaging or spoiling the goods stored in it.

Declaration of conformity

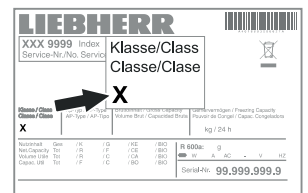
The refrigerant circuit has been tested for leaks. The appliance complies with the relevant safety regulations and EU Directives 2006/42/EG, 2014/30/EU, 2009/125/EG and 2011/65/EU.

Noise emissions from the appliance

The noise level while the appliance is operating is below 70 dB(A) (relative noise level 1 pW).

Climate rating

The climate rating indicates at what room temperature the appliance may be operated to achieve full cooling capacity and what the maximum humidity level in the area around the appliance may be to ensure that no condensation forms on the exterior housing.

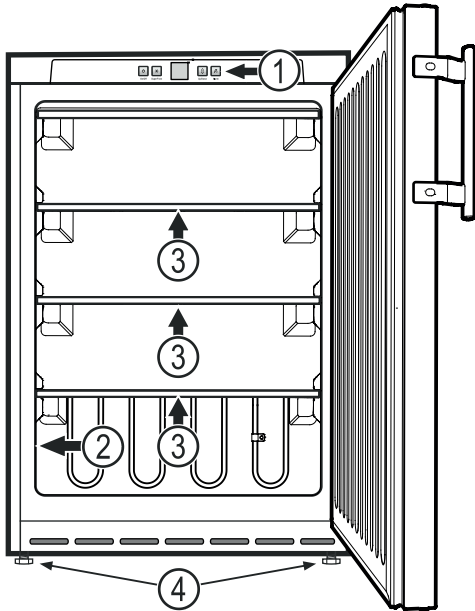


The climate rating is indicated on the type plate.

Climate rating	Max. room temperature	Max. relative humidity
3	25 °C	60%
4	30 °C	55%
5	40 °C	40%
7	35 °C	75%

The minimum room temperature at the place of installation is 10°C.

Description of the appliance



- (1) Operating and control elements
- (2) Type plate
- (3) Shelves
- (4) Adjustable-height feet

NOTICE

The maximum load per shelf is 24 kg.

Setting up

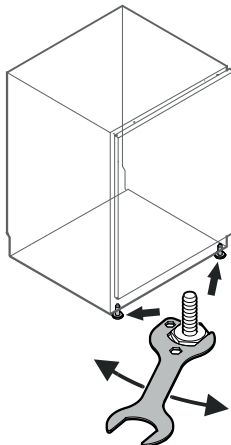
- Do not place the appliance in direct sunlight or near cookers, radiators and similar sources of heat.
- Do not place heat-emitting appliances, e.g. microwave oven, toaster, etc., on top of the appliance.
- The more coolant there is in the appliance, the larger the room in which the appliance is installed must be. If the room is too small, any leak may create a flammable mixture of gas and air. For each 8 g of coolant the installation space must be at least 1 m³. Information on the coolant is on the model plate inside the appliance.
- Always install the appliance directly against the wall.

Levelling the appliance

- Place the appliance in its final position at the place of installation.
- Compensate floor unevenness using the adjustable feet.

Important

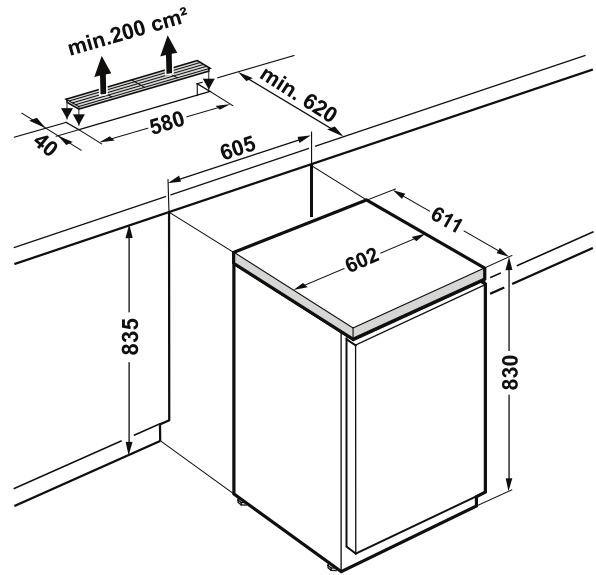
The appliance must be aligned horizontally and vertically. If the appliance is not level, the main body of the appliance can be deformed and the door will not close properly.



Installation dimensions (mm)

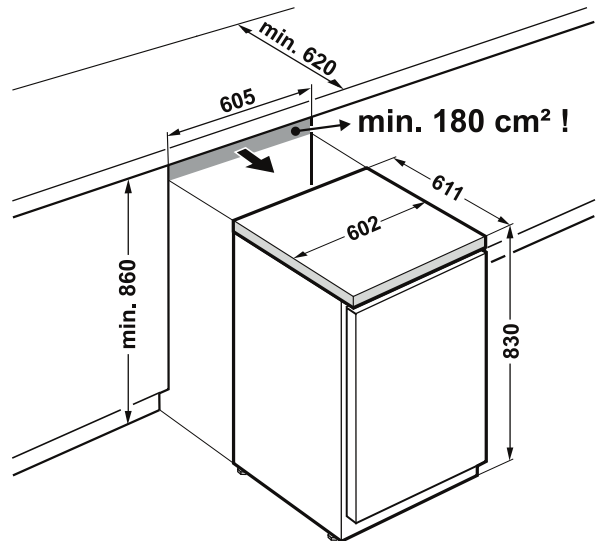
Version 1

A cross-section of **min. 200 cm²** is required in the worktop for ventilation of the rear of the appliance.



Version 2

If no ventilation grill is provided in the worktop, the recess must be **at least 860 mm** high to ensure adequate heat dissipation to the front.



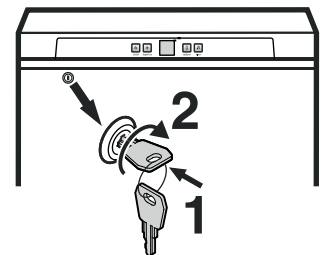
Safety lock

The lock in the appliance door is equipped with a safety mechanism.

Locking the appliance

- Insert the key as shown by arrow 1.
- Turn the key 90°.

To unlock the appliance, the same procedure must be repeated in the same order.



Electrical connection

Only operate the appliance with **alternating current (AC)**.

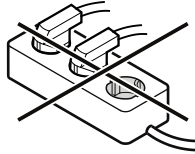
The permissible voltage and frequency are indicated on the type plate. The position of the type plate is shown in the section entitled **Description of the appliance**.

The socket must be properly earthed and protected by a fuse. The tripping current of the fuse must be between 10 A and 16 A.

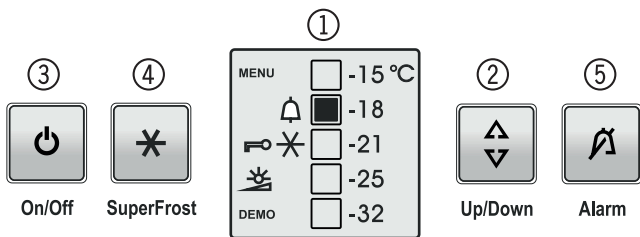
The socket must not be situated behind the appliance and must be easily accessible.

Do not connect the appliance using an extension cable or extension socket.

Do not use stand-alone inverters (conversion of direct current to alternating/three-phase current) or energy-saving plugs. Risk of damage to the electronic control system!







Operating and control elements



- ① Temperature display (display)
- ② Temperature button
- ③ On/Off button
- ④ SuperFrost button
- ⑤ Audible warning on/off button

MENU Setup mode is activated (activating the child lock and adjusting the display brightness)

-  Alarm (symbol flashes if the temperature inside the appliance is too high)
-  Child lock is activated
-  SuperFrost is on
-  Adjusting the display brightness (this symbol is only activated in setup mode)

DEMO Demo mode is activated

Switching the appliance on and off

Switching the appliance on

Press the **On/Off** button until the temperature display lights up.



On/Off

Switching the appliance off

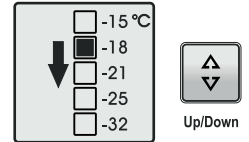
Keep the **On/Off** button pressed for approx. 3 seconds so that the temperature display goes out.

Note

If the On/Off button is held down for a further 3 seconds after the temperature display has gone out, the appliance is switched on again.

Setting the temperature

Press the **Up/Down** button. The temperature display flashes.



Press the **Up/Down** button, the next lower temperature value in the temperature display will light up.

Keep pressing the **Up/Down** button until the desired value is displayed.

Note

The temperature in the warmest area of the interior may be higher than the temperature setting.

If the door is left open for a lengthy period, the temperature in the appliance's compartments may rise dramatically.

Door open alarm

If the door is left open for more than 180 seconds, the audible warning signal will sound.

If the door must be opened for a lengthy period to place items into the appliance, cancel the audible warning signal by pressing the **Alarm** button.



Alarm

The alarm switches back to standby when the door is shut.

Temperature alarm

If the temperatures in the interior are out of the permitted range, the audible warning signal will sound and the temperature display will flash.

After a lengthy power failure, the temperature in the interior may have risen to too high a level. After the power supply returns, the fall in temperature can be watched on the display.

- Cancel the audible warning signal by pressing the **Alarm** button.

The temperature display will stop flashing as soon as the temperature in the interior has reached the set value.

Temperature alarm after a fault in the appliance

If the appliance develops a fault, the temperature in the interior may rise too high or fall too low. The audible warning signal will sound and the temperature display will flash.

If the temperature displayed is too high (warm), first check whether the door is closed correctly.

If the temperature display continues to show a value that is too high or too low after one hour, contact the customer service department.


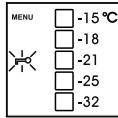
- Cancel the audible warning signal by pressing the **Alarm** button.


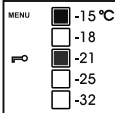
Set-up mode


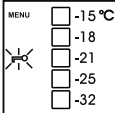
In set-up mode you can set the child lock and adjust the brightness of the display.


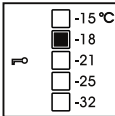
The child lock is designed to protect the appliance from being switched off and the temperature setting from being changed accidentally.

Activating the child lock

Press  for 5 seconds. Display = 


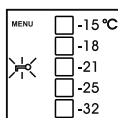
Press  Display = 


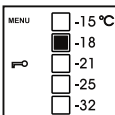
Press  Display = 


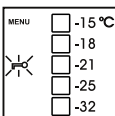
Press  Display = 


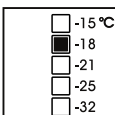
The child lock is activated.

Deactivating the child lock

Press  for 5 seconds. Display = 


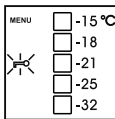
Press  Display = 


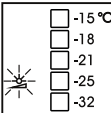
Press  Display = 


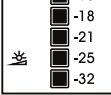
Press  Display = 


The child lock is deactivated.


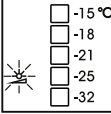
Adjusting the display brightness


Press  for 5 seconds. Display = 

Press  Display = 

Press  Display = 

 Adjust to the desired brightness using the Up/Down button.

Press  Display = 

Press  The adjusted brightness will be activated after one minute.

Note

If a button is pressed, the display lights up for one minute at maximum brightness.

When commissioning the appliance, the adjusted brightness will only be active once the set interior temperature of the appliance has been reached.

Storing

NOTICE

Store raw meat or fish in clean sealed containers on the bottom shelf of the refrigerator/freezer compartment so that it cannot come into contact with any other food or drip liquid onto it.

A failure to follow these instructions may result in the food being spoilt.


SuperFrost

By activating the SuperFrost function the temperature in the freezer compartment will drop to the lowest attainable value.

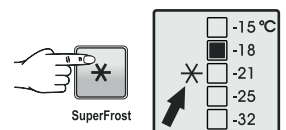
Use SuperFrost, to rapidly cool large amounts of food.

When SuperFrost is activated, the appliance operates with maximum cooling performance.

Activating SuperFrost

- Press the **SuperFrost** button. The symbol  appears in the display.

The electronic control system will automatically switch back to normal operating mode.



Prematurely deactivating SuperFrost

- Press the **SuperFrost** button.

Defrosting

After a longer period of operation a layer of frost or ice can build up on the cooling plates in the freezer compartment. This will increase the energy consumption of the freezer.

The cooling plates should therefore be defrosted regularly.

- Switch the appliance off to defrost. **Remove the plug.**
- Transfer items to other appliances.
- Leave the door of the appliance open while defrosting.
- After a defrosting time of approx. 20 minutes, the layer of frost or ice can be detached by hand and removed.
- Mop up the remaining water with a cloth and clean the appliance.

Cleaning

⚠ WARNING

Before cleaning, always disconnect the appliance from the mains. Pull out the plug or switch off the fuse.

Surfaces which may come into contact with food and accessible drain systems must be cleaned at regular intervals.

⚠ CAUTION

Risk of damage to the appliance components and risk of injury due to hot steam.

Do not use steam cleaning equipment to clean the appliance.

- Clean the inside, equipment parts and outer walls with lukewarm water and a little detergent. Do not use chemical solvents or any cleaning agents containing sand or acid.
- To avoid short-circuits, ensure no cleaning water penetrates into the electrical components when cleaning the appliance.
- Dry all parts well with a cloth.
- Do not damage or remove the type plate on the inside of the appliance. It is very important for servicing purposes.

Malfunctions

You may be able to rectify the following faults by checking the possible causes yourself:

• Appliance does not function:

- Is the appliance switched on?
- Is the plug correctly fitted in the mains socket?
- Is the fuse intact?

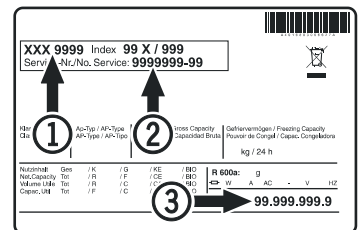
• When inserting the mains plug, the refrigeration unit does not switch on, but a value is shown in the temperature display.

- Demo mode is activated.
Contact the customer service department.

• The temperature is not low enough:

- Is the temperature setting correct (see "Setting the temperature")?
- Does the separately installed thermometer show the correct reading?
- Is the ventilation system working properly?
- Is the appliance set up too close to a heat source?

If none of the above causes apply and you cannot rectify the fault yourself, contact the nearest customer service department stating the type designation ①, service number ② and appliance number ③ as indicated on the type plate.



The position of the type plate is shown in the section entitled **Description of the appliance.**

Shutting your appliance down

If the appliance is left empty for a lengthy period, it must be switched off, defrosted, cleaned and dried and the door is to be left open to prevent mould formation.

Disposal notes

The appliance contains reusable materials and should be disposed of properly - not simply with unsorted household refuse. Appliances which are no longer needed must be disposed of in a professional and appropriate way, in accordance with the current local regulations and laws.

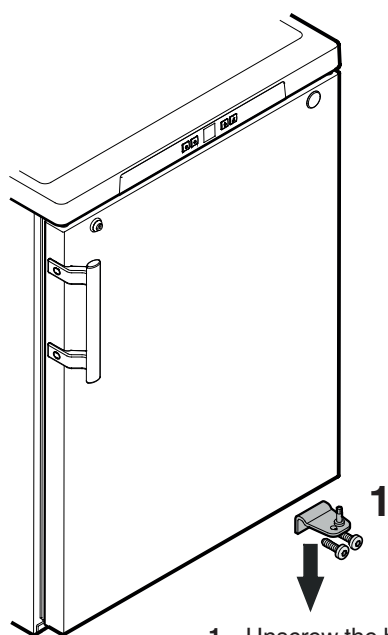


Do not damage the refrigerant circuit of an appliance that is no longer needed during its disposal.

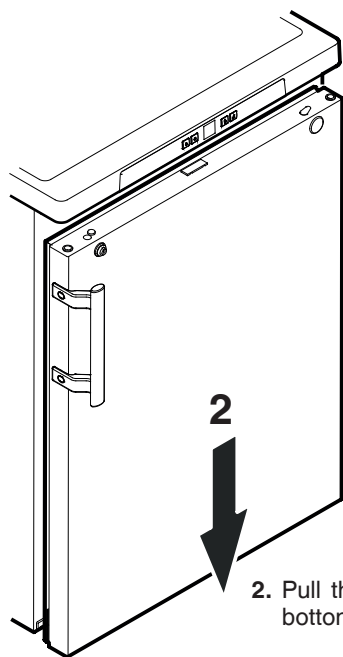
This appliance contains inflammable gases in the refrigerant circuit and insulation foam.

Your local council or a waste disposal contractor can provide information about how to dispose of the appliance correctly.

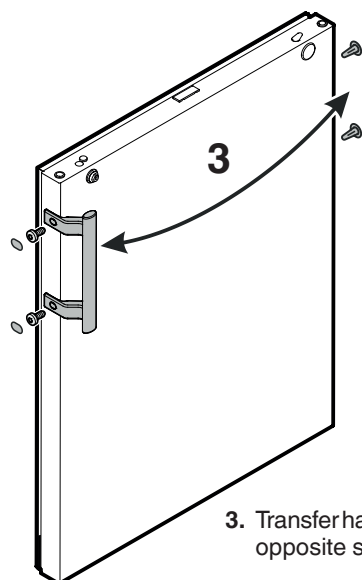
Changing over door hinges



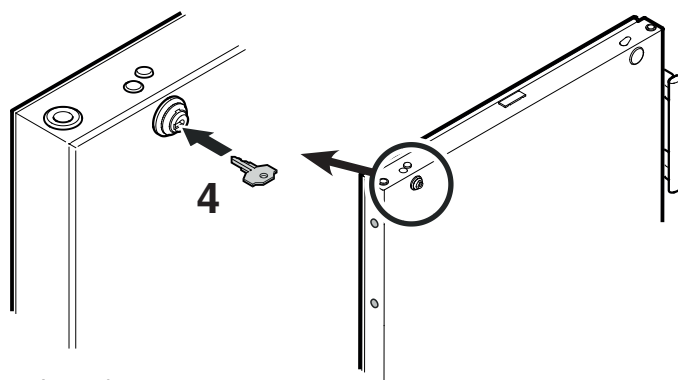
1. Unscrew the hinge bracket.



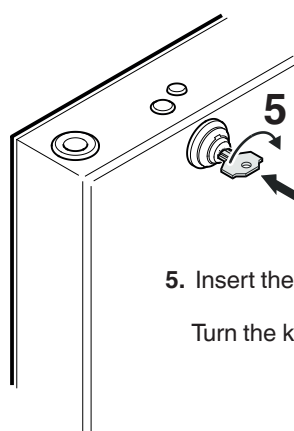
2. Pull the door out at the bottom and lift off.



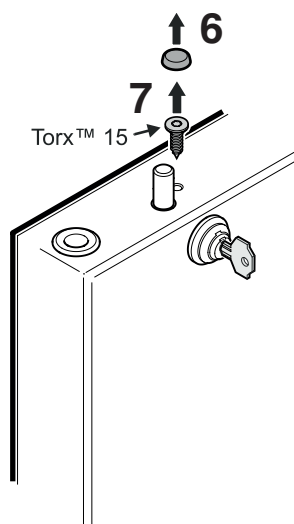
3. Transfer handle and plugs to the opposite side of the door.



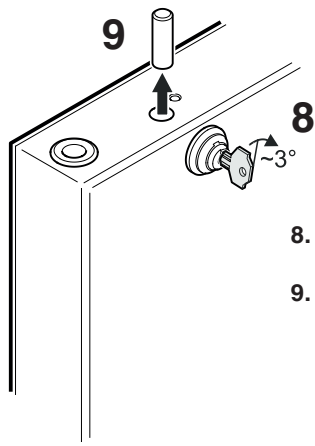
4. Insert key.



5. Insert the key.
Turn the key 90°.

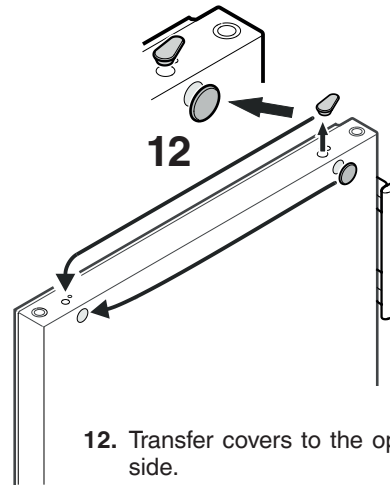


6. Remove cover.
7. Remove screw.

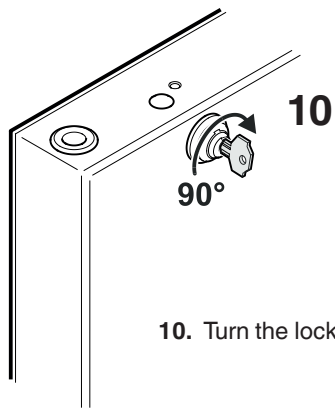


8. Turn the lock approx. 3° clockwise.

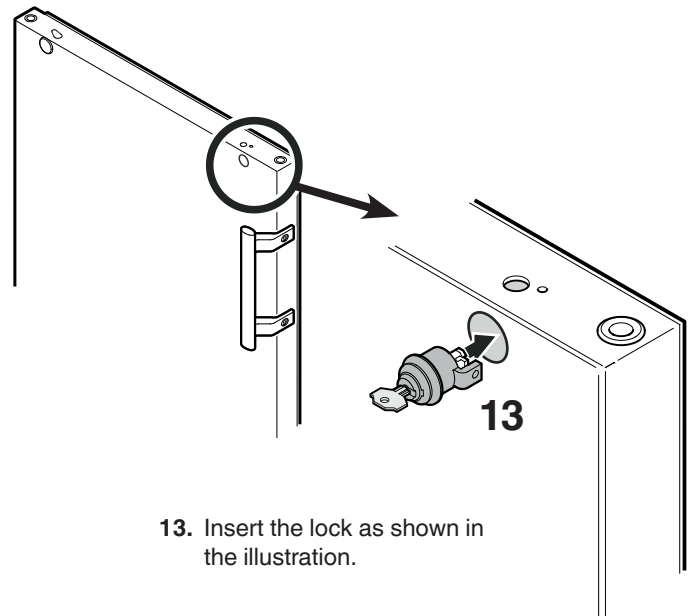
9. Remove pin.



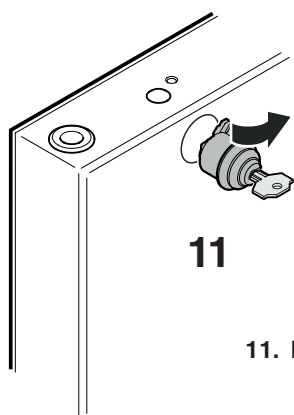
12. Transfer covers to the opposite side.



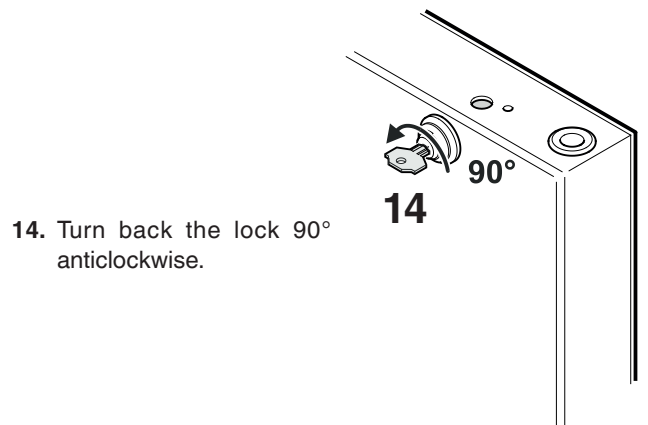
10. Turn the lock 90° clockwise.



13. Insert the lock as shown in the illustration.



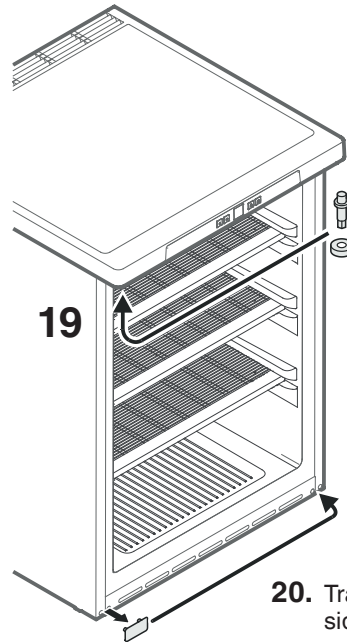
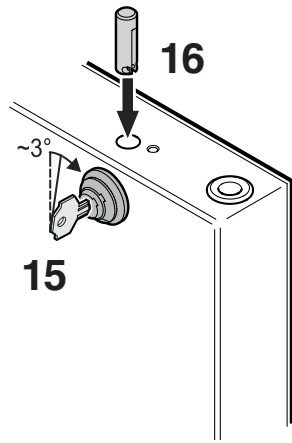
11. Remove lock.



14. Turn back the lock 90° anticlockwise.

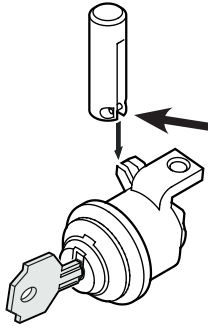
15. Turn the lock further - approx. 3° clockwise.

16. Insert pin.



19. Move the pin at the top to the other side.

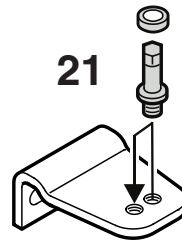
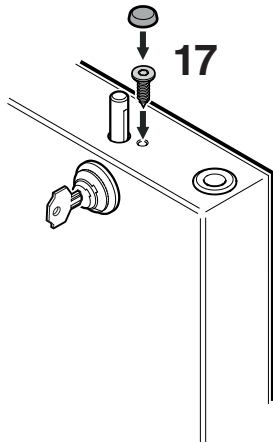
20. Transfer cover plate to the opposite side.



Note on point 16

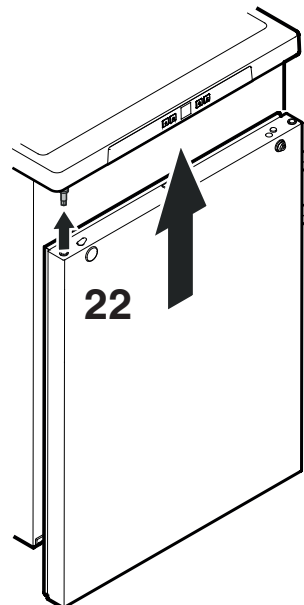
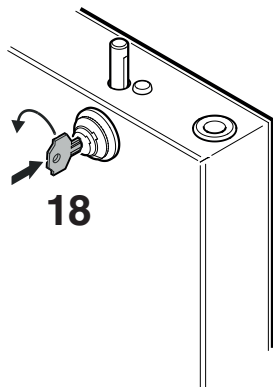
After insertion, the pin's cross pin must be engaged in the groove of the catch.

17. Screw in the screw and attach the cover cap.

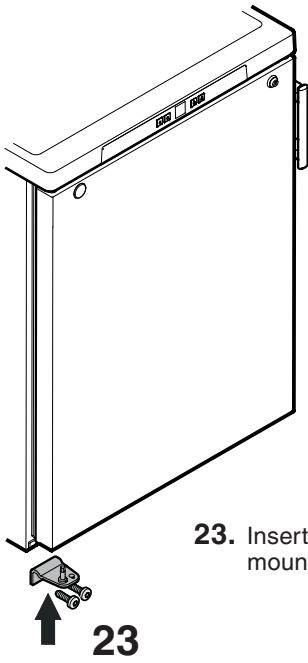


21. Transfer pin on hinge bracket to the opposite side.

18. Insert the key.
Turn the key 90°.



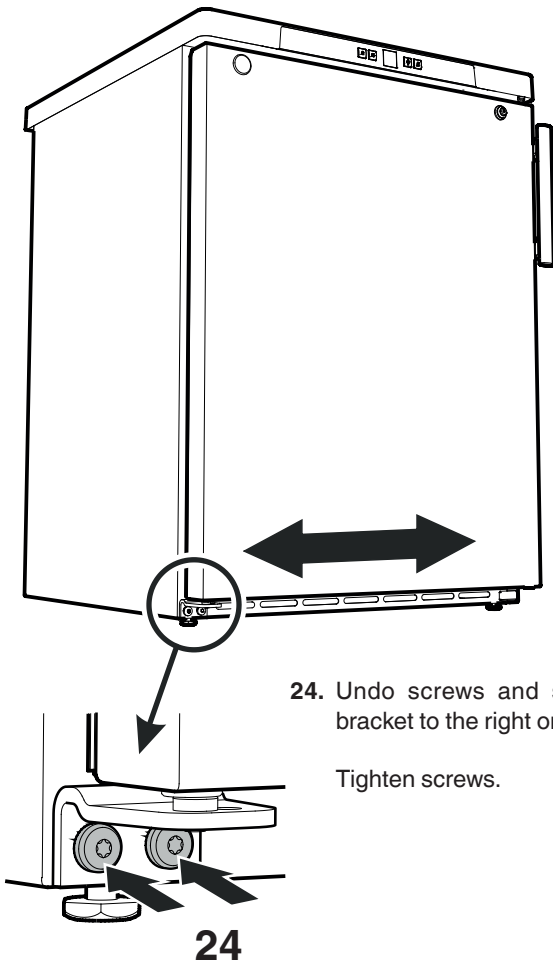
22. Mount door on hinge pin and close.



23. Insert hinge bracket in lower door mounting and screw into place.

Adjusting the lateral tilt of the door

If the door is at an angle, adjust the angle.



24. Undo screws and slide hinge bracket to the right or left.

Tighten screws.



Liebherr-Hausgeräte GmbH
Memminger Straße 77-79
88416 Ochsenhausen
Germany
home.liebherr.com

