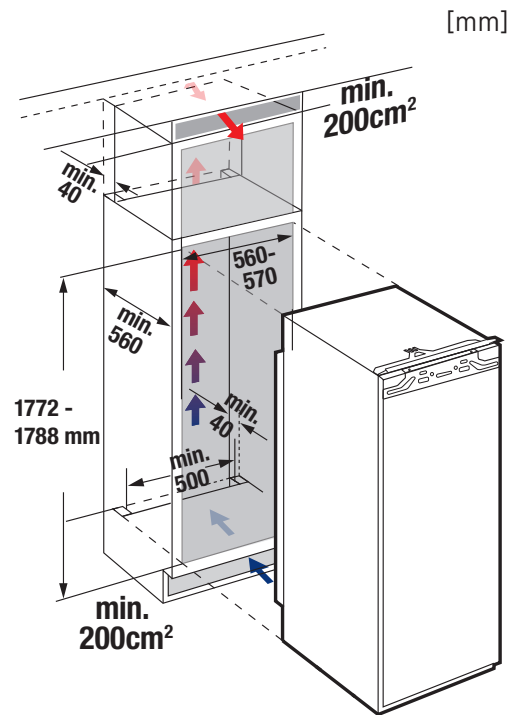


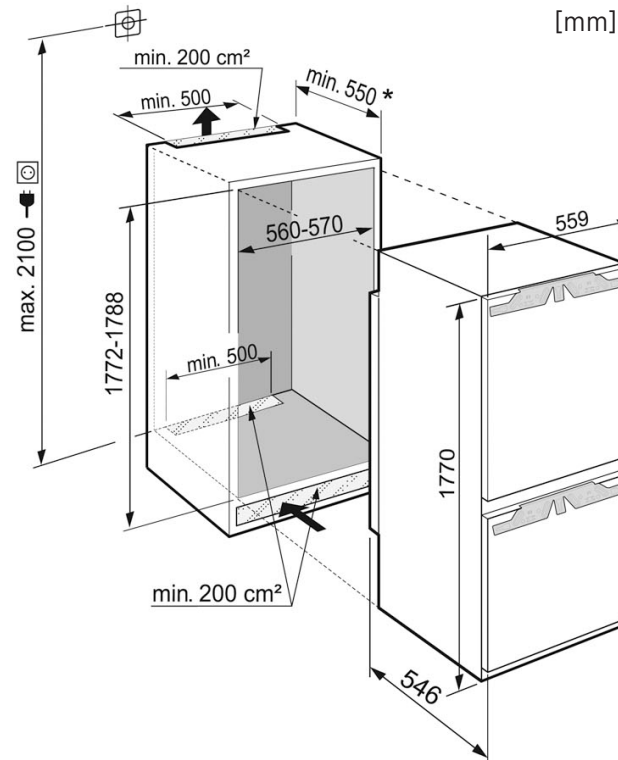
Integrated Ventilation

LIEBHERR

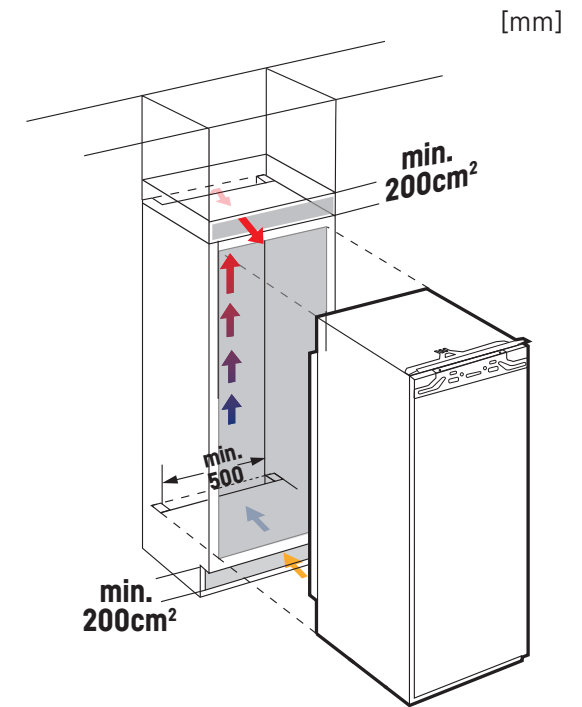
VENTING ABOVE CUPBOARD



VENTING INTO CEILING SPACE*



VENTING AT TOP OF UNIT



Figures 1, 2 and 3 represent the alternate ways that Liebherr single door or double door integrated appliances can be installed to ensure correct ventilation requirements are achieved.

Arrows denote airflow from ventilation entry to exit point. The ventilation options are applicable to the following models: ICBNh 5173, ICNh 5173, ICNh 5133, ICNh 5123, ICNh 5103, SIFNh 5128, IRBh 5120, SIFNh 5188, IRBh 5170, IRBPh 5170, EWTdf 3553, EWTgb 3583.

*Ceiling spaces and bulkheads must be well ventilated.