



User Guide

Quality, Design and Innovation



[home.liebherr.com/fridge-manuals](http://home.liebherr.com/fridge-manuals)



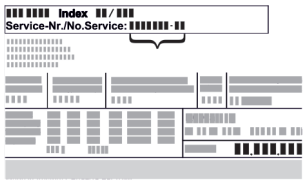






# LIEBHERR

# Contents

<b>1</b>	<b>Appliance at a glance.....</b>	<b>3</b>	6.2.32	Demo mode .....	39
1.1	Scope of supply.....	3	6.2.33	Resetting to factory settings .....	40
1.2	Overview of appliance and equipment.....	3	6.3	Message.....	40
1.3	Special features.....	3	6.3.1	Warnings.....	40
1.4	Range of use of appliance.....	4	6.3.2	Reminders.....	42
1.5	Appliance noise emissions.....	4	<b>7</b>	<b>Features.....</b>	<b>43</b>
1.6	Conformity.....	4	7.1	Safety lock.....	43
<b>2</b>	<b>General safety instructions.....</b>	<b>4</b>	7.2	Remote control.....	43
<b>3</b>	<b>Functionality of the Touch &amp; Swipe display.....</b>	<b>6</b>	7.3	Sensors.....	43
3.1	Navigation and symbol explanation.....	6	7.4	Sensor info .....	44
3.2	Menus.....	7	7.5	Interfaces.....	44
3.3	Sleep mode.....	7	<b>8</b>	<b>Maintenance.....</b>	<b>45</b>
<b>4</b>	<b>Putting into operation.....</b>	<b>7</b>	8.1	Maintenance schedule.....	45
4.1	Installation conditions.....	7	8.2	Defrosting appliance.....	46
4.2	Appliance dimensions.....	8	8.3	Cleaning the appliance.....	46
4.3	Transporting appliance.....	8	8.4	Replacing appliance battery.....	47
4.4	Unpacking appliance.....	8	8.5	Replacing the remote control batteries.....	48
4.5	Removing transport lock.....	8	<b>9</b>	<b>Customer help.....</b>	<b>48</b>
4.6	Installing door handle.....	9	9.1	Technical specifications.....	48
4.7	Mounting anti-tipping device.....	9	9.2	Technical fault.....	49
4.8	Installing appliance.....	10	9.3	Customer Service.....	49
4.9	Setting up the appliance so it is level.....	10	9.4	Type plate.....	50
4.10	Installing multiple appliances.....	10	<b>10</b>	<b>Shutting down.....</b>	<b>50</b>
4.11	After installation.....	10	<b>11</b>	<b>Disposal.....</b>	<b>50</b>
4.12	Disposing of packaging.....	10	11.1	Preparing appliance for disposal.....	50
4.13	Reversing the door opening direction.....	10	11.2	Disposing of the appliance in an environmentally friendly manner.....	50
4.14	Aligning the door.....	18	<b>12</b>	<b>Additional information.....</b>	<b>50</b>
4.15	Connecting appliance.....	18	<b>13</b>	<b>Quick Start Guide for everyday use.....</b>	<b>51</b>
4.16	Switching on appliance (first use).....	19			
<b>5</b>	<b>Storage.....</b>	<b>19</b>			
5.1	Information regarding storage.....	19			
<b>6</b>	<b>Controls.....</b>	<b>20</b>			
6.1	Control and display elements.....	20			
6.1.1	Status display.....	20			
6.1.2	Display symbols.....	20			
6.1.3	Acoustic signals.....	21			
6.2	Appliance functions.....	21			
6.2.1	Notes on the appliance functions.....	21			
6.2.2	Switching appliance on and off .....	21			
6.2.3	Temperature .....	21			
6.2.4	Temperature recording .....	22			
6.2.5	Lighting .....	22			
6.2.6	Door lock .....	23			
6.2.7	SmartLock.....	24			
6.2.8	Settings menu access protection .....	26			
6.2.9	Access codes.....	26			
6.2.10	Remote control .....	29			
6.2.11	Maintenance interval reminder .....	29			
6.2.12	Language .....	30			
6.2.13	Date and time .....	30			
6.2.14	Temperature unit .....	30			
6.2.15	Display brightness .....	31			
6.2.16	Alarm Sound.....	31			
6.2.17	Key Sound.....	31			
6.2.18	WiFi connection .....	32			
6.2.19	LAN connection .....	33			
6.2.20	Device information .....	34			
6.2.21	Operating hours .....	34			
6.2.22	Software .....	34			
6.2.23	Defrosting .....	34			
6.2.24	Data download / Datalogging.....	35			
6.2.25	Sensor calibration .....	35			
6.2.26	Temperature alarm .....	36			
6.2.27	Door alarm .....	37			
6.2.28	Light alarm *.....	37			
6.2.29	Alarm simulation .....	38			
6.2.30	Alarm log .....	38			
6.2.31	Alarm relay .....	39			

The manufacturer is continually working on the further development of all types and models. Please be aware that we reserve the right to make changes to the shape, equipment and technology.

Symbol	Explanation
	<p><b>Read instructions</b></p> <p>Please read the information in these instructions carefully to understand all of the benefits of your new appliance.</p>
	<p><b>Additional information on the Internet</b></p> <p>The digital manual with additional information and in other languages can be found via the QR code on the front of the manual or by entering the service number at <a href="http://home.liebherr.com/fridge-manuals">home.liebherr.com/fridge-manuals</a>.</p> <p>The service number can be found on the serial tag:</p>  <p style="text-align: right;"><i>Fig. Example illustration</i></p>
	<p><b>Check appliance</b></p> <p>Check all parts for transport damage. If you have any complaints, please contact your agent or customer service.</p>

Symbol	Explanation
	<b>Differences</b> These instructions apply to a range of models, so differences are possible. Sections that apply to certain models only are marked with an asterisk (*).
	<b>Instructions and results</b> Instructions are marked with a ▶. Results are marked with a ▷.
	<b>Videos</b> Videos about the appliances are available on the YouTube channels of Liebherr-Hausgeräte.

These operating instructions apply to:

- HMFvh 4001
- HMFvh 4011
- HMFvh 5501
- HMFvh 5511

## 1 Appliance at a glance

### 1.1 Scope of supply

Check all parts for transport damage. If you have any complaints, please contact your dealer or Customer Service. (see 9.3 Customer Service)

The delivery comprises the following parts:

- Free-standing appliance
- Equipment \*
- Installation materials \*
- Operating instructions
- Service brochure
- Quality certificate \*
- Mains cable
- Remote control
- Emergency unlocking key
- Wall fastening kit

### 1.2 Overview of appliance and equipment

HMFvh 4001  
HMFvh 5501

HMFvh 4011  
HMFvh 5511

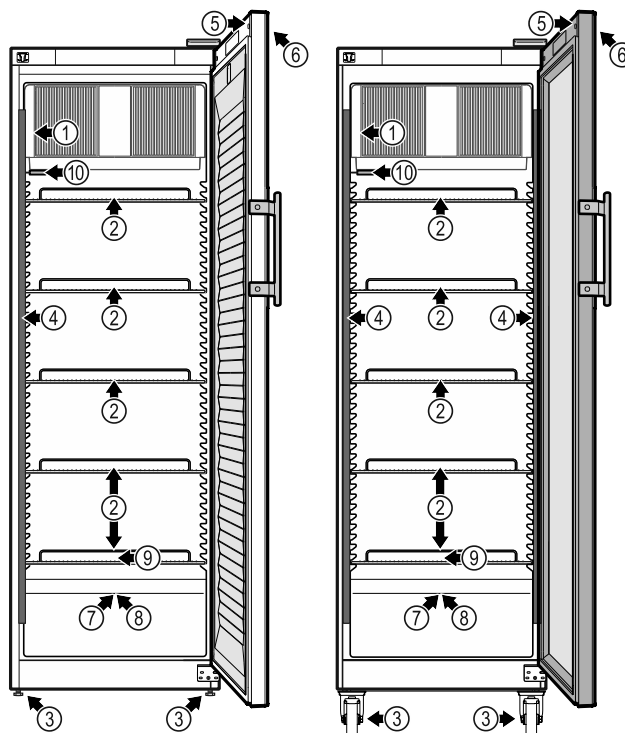


Fig. 1 Example illustration of the front

#### Equipment

- |                              |  |
|------------------------------|--|
| (1) Type plate               | (6) Control elements and temperature display |
| (2) Grid shelves             | (7) Sensor feedthrough                       |
| (3) Adjusting feet/castors * | (8) Safety thermostat sensor                 |
| (4) Interior lighting *      | (9) Defrost drain water                      |
| (5) Lock                     | (10) P sensor                                |

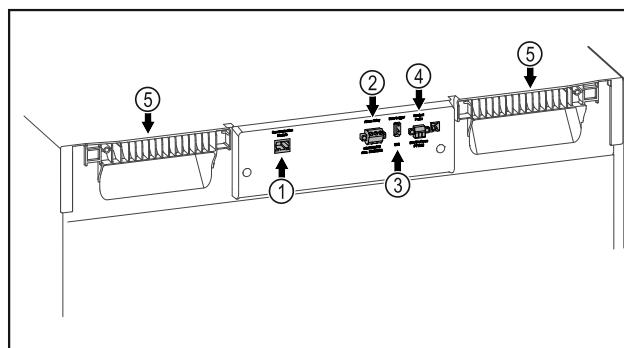


Fig. 2 Example illustration of the rear

#### Equipment

- |                                 |                             |
|---------------------------------|-----------------------------|
| (1) LAN/WiFi interface*         | (4) Connection for P sensor |
| (2) Potential-free alarm output | (5) Carrying aid            |
| (3) USB interface               |                             |

### 1.3 Special features

#### Note

Accessories are available from Customer Service (see 9.3 Customer Service) and the Liebherr-Hausgeräte store at [home.liebherr.com/shop/de/deu/zubehor.html](http://home.liebherr.com/shop/de/deu/zubehor.html).

# General safety instructions

## SmartModule

The appliance is fitted with a SmartModule. This is a WiFi and LAN interface for the connection between the appliance and an external documentation and alarm system such as Liebherr SmartMonitoring. Liebherr SmartMonitoring Dashboard is not available in all countries. Check availability via the QR code (see 6.2.18 WiFi connection ) by entering your model.

## Retrofitting drawers

Temperature qualification is required when retrofitting drawer systems in Liebherr refrigerators/freezers where these are used for temperature-sensitive materials such as chilled drugs and refrigerated products which are subject to specific standards requirements. Retrofitting drawers in Liebherr refrigerators/freezers can result in the goods stored becoming spoiled or damaged. The retrofitting must therefore be completed exclusively by authorised service providers from the manufacturer of the refrigerator/freezer.

## 1.4 Range of use of appliance

### Intended use

This medical refrigerator is suitable for professional storage of products at a temperature of 5 °C.

Typical products to be stored include drugs which require refrigeration, medicines or other pharmaceutical products in a temperature range from 2 °C to 8 °C.

The appliance meets the requirements of DIN 13277 Refrigerators and freezers for laboratory and medical applications.

The storage of temperature-sensitive substances requires the use of an independent, continuous monitoring alarm system. This alarm system must be designed in such a way that a responsible person can register any alarm status so that appropriate action can be taken.

### Foreseeable incorrect use

Do not use the appliance for the following applications:

- Storage and refrigeration of:
  - Chemically unstable, flammable or corrosive substances
  - Blood, plasma or other body fluids for the purpose of infusion, application or introduction in the human body.
- Use in potentially explosive atmospheres.
- Use outdoors or in areas exposed to dampness and splashing water.
- Use in residential areas because adequate protection of radio reception cannot be ensured in such environments.\*

Improper use of the appliances will result in goods stored being damaged or spoiled.

## Climate classes

The applicable climate class for your appliance is printed on the type plate.

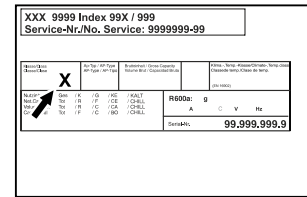


Fig. 3 Type plate

(X) This climate class indicates the ambient conditions in which the appliance can be safely operated.

Climate class (X)	max. room temperature	max. humidity	rel.
7	35 °C	75%	

### Note

The minimum permitted room temperature at the setup location is 10 °C.

Slight condensation may form at the limit conditions on the glass door and on the side walls.

## 1.5 Appliance noise emissions

The A-weighted emission sound pressure level during operation of the appliance is under 70 dB(A) (sound power rel. 1 pW).

## 1.6 Conformity

The coolant circuit has been tested for leak-tightness. The appliance complies with the relevant safety regulations and directives.

# 2 General safety instructions

Please keep these operating instructions in a safe place so you can refer back to them at any time.

If you pass the appliance on, please hand these operating instructions to the next user.

Read these operating instructions carefully before use to ensure safe and correct use of the appliance. Follow the instructions, safety instructions and warning messages included at all times. They are important for ensuring you can operate and install the appliance safely and without any problems.

### Danger for the user:

- This appliance may only be used by specialist and laboratory personnel who

have been trained for this purpose and are familiar with all safety measures pertaining to laboratory work. Children and persons with reduced physical, sensory or mental capabilities or lack of experience and knowledge must not commission or operate this appliance.

- The socket must be easily accessible so that the appliance can be disconnected quickly from the electricity supply in an emergency. It must not be located in the area behind the appliance.
- When disconnecting the appliance from the supply, always take hold of the plug. Do not pull the cable.
- In the event of a fault pull out the mains plug or deactivate the fuse.
- **WARNING:** Do not damage the mains power cable. Do not operate the appliance with a defective mains power cable.
- **WARNING:** Multiple sockets/distributors and other electronic equipment (such as halogen transformers) must not be placed or operated at the rear of the appliance.
- **WARNING:** Keep ventilation openings, in the appliance enclosure or in the built-in structure, clear of obstruction.
- Only customer service or other specially trained staff may repair or perform other operations on the appliance.
- Only assemble, connect and dispose of the appliance according to the instructions.

### Fire hazard

- The coolant used (information on the model plate) is ecofriendly but also flammable. Any leaking coolant may ignite.
  - **WARNING:** Do not damage refrigeration circuit.
  - Do not handle ignition sources inside the appliance.
  - **WARNING:** Do not use electrical appliances in the fridge compartment which do not comply with the design recommended by the manufacturer.
  - If the refrigerant leaks: remove any naked flames or ignition sources from the vicinity of the leakage point. Properly air the room. Inform customer services.
- Do not operate the appliance close to explosive gases.
- Do not store or use petrol or other flammable gases and liquids close to the appliance.
- Do not store any explosive substances, such as aerosol containers with flammable propellant gas, in the appliance. To iden-

tify these spray cans, look for the list of contents printed on the can, or a flame symbol. Gases possibly escaping may ignite due to electrical components.

- Keep burning candles, lamps and other items with naked flames away from the appliance so that they do not set the appliance on fire.
- Alcoholic liquids or other containers with alcohol inside must only be stored tightly sealed. Any alcohol that leaks out may be ignited by electrical components.

### Danger of tipping and falling:

- **WARNING:** In order to prevent danger due to an unstable appliance, it must be fixed in accordance with the instructions.
- Do not misuse the plinth, drawers, doors etc. as a step or for support.

### Danger of frostbite, numbness and pain:

- Avoid prolonged skin contact with cold surfaces or refrigerated/frozen goods or take protective measures, e.g. wear gloves.

### Danger of injury and damage:

- **WARNING:** Do not use mechanical equipment or other methods to speed up the defrosting process other than those recommended by the manufacturer.
- **WARNING:** Risk of injury due to electric shock! There are live electrical parts under the cover.  
Only have the LED interior lighting replaced or repaired by customer service or other suitably trained professionals.
- **NOTICE:** Appliance must only be used using original manufacturer accessories or using accessories from other providers approved by the manufacturer. The user bears the risk of using accessories which are not approved.

### Risk of crushing

- Do not hold the hinge when opening and closing the door. Fingers may get caught.

### Specialist personnel qualifications:

The appliance may only be installed, tested, maintained, and commissioned by specialist personnel who are familiar with the installation, commissioning, and operation of the appliance.

Specialist personnel are persons who, on account of their specialist training, knowledge and experience as well as their knowledge of the relevant standards, are able to assess and perform the work assigned to

# Functionality of the Touch & Swipe display

them and identify potential hazards. They must have training, instruction, and authorisation to work on the appliance.

## Symbols on the appliance:



This symbol may be located on the compressor. It relates to the oil in the compressor and makes reference to the risk that: **Swallowing or inhaling can be fatal.** This advice is only relevant to recycling. There is no danger in normal operation.



**WARNING:** Danger of fire / flammable materials. This symbol is located on the compressor and indicates the danger of flammable materials. Do not remove the sticker.



The symbol is located on the back of the appliance near the alarm relay and indicates the following danger: **Electric shock!** Even if an appliance is disconnected from the mains there may still be extraneous voltage. Do not remove sticker.



This or a similar sticker may be located on the rear of the appliance. This sticker indicates that there are vacuum insulation panels (VIP) or perlite panels in the door and/or housing. This advice is only relevant to recycling. Do not remove the sticker.



This or a similar sticker may be located on the rear of the appliance. It refers to the Li-ion self-charging battery installed. This advice is only relevant to recycling. Do not remove sticker.

## Li-ion

Please note the warning messages and other specific advice in the other chapters:

	<b>DANGER</b>	Indicates an immediately hazardous situation which will lead to death or serious injuries if it is not avoided.
	<b>WARNING</b>	Indicates a hazardous situation which will lead to death or serious injuries if it is not avoided.
	<b>CAUTION</b>	Indicates a hazardous situation which will lead to minor or moderate injuries if it is not avoided.
	<b>NOTICE</b>	Indicates a hazardous situation which may lead to damage to property if it is not avoided.
	<b>Note</b>	Indicates useful instructions and tips.

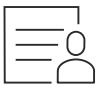
## 3 Functionality of the Touch & Swipe display

You operate your appliance using the Touch & Swipe display. You select appliance functions in the Touch & Swipe display (hereafter referred to as display) by tapping them. If you do not perform any action on the display for 10 seconds, the display either jumps back to the higher-level menu or directly to the status display.

### 3.1 Navigation and symbol explanation

In the illustrations, different symbols are used to navigate the display. The following table describes these symbols.

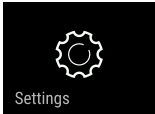

Symbol	Description
	<b>Briefly touch the display:</b> Activates/deactivates function. Confirms selection. Opens submenu.
	<b>Touch the display for a specified time (e.g. 3 seconds):</b> Activates/deactivates function or value.
	<b>Swipe left or right:</b> Navigate in the menu.
	<b>Briefly touch the Back symbol:</b> Jumps back one menu level.
	<b>Press and hold the Back symbol for 3 seconds:</b> Jumps back to the status display.
	<b>Briefly touch the Back symbol at the top left:</b> Jumps back one menu level.
	<b>Arrow with clock:</b> It takes more than 10 seconds for the following message to appear in the display.
	<b>Arrow with a time indication:</b> It takes the specified amount of time until the following message appears in the display.
	<b>“Open Settings menu” symbol:</b> Navigates to the Settings menu and opens the settings menu. If necessary: Navigate to the desired function in the Settings menu. (see 3.2.1 Opening the Settings menu)

Symbol	Description
	<p><b>“Open Advanced menu” symbol:</b></p> <p>Navigates to the Advanced menu and opens the advanced menu.</p> <p>If necessary: Navigate to the desired function in the Advanced menu. (see 3.2.2 Opening the expanded menu)</p>
No action for 10 seconds	If you do not perform any action on the display for 10 seconds, the display either jumps back to the higher-level menu or directly to the status display.
Open door and close it again.	If you open the door and immediately close it again, the display jumps directly back to the status display.

Note: Illustrations of the display are shown in the English version.

## 3.2 Menus

The appliance functions are distributed over various menus:

Menu	Description
Main menu	When you switch the appliance on, you are automatically in the main menu. From here you can navigate to the most important appliance functions, to the Settings menu and to the Advanced menu.
 Settings menu	The Settings menu contains additional appliance functions for setting up your appliance.
 Advanced menu	The advanced menu contains special appliance functions for setting up your appliance. Access to the Advanced menu is protected by the numerical code <b>151</b> .

### 3.2.1 Opening the Settings menu

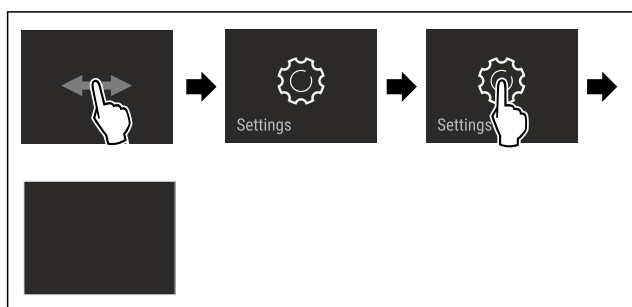


Fig. 4 Example illustration

- ▶ Carry out action steps according to the illustration.
- ▷ Settings menu is open.
- ▶ If necessary: Navigate to the desired function.

### 3.2.2 Opening the expanded menu

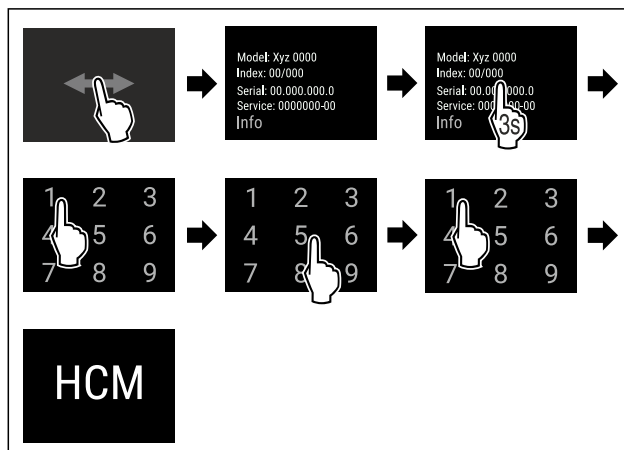


Fig. 5 Access with numerical code **151**

- ▶ Carry out action steps according to the illustration.
- ▷ The expanded menu is open.
- ▶ If necessary: Navigate to the desired function.

## 3.3 Sleep mode

If you do not touch the display for 1 minute, the display switches to sleep mode. In sleep mode, the display brightness is dimmed.

### 3.3.1 Ending sleep mode

- ▶ Touch the display briefly with your finger.
- ▷ Sleep mode is ended.

## 4 Putting into operation

### 4.1 Installation conditions



#### WARNING

Fire hazard due to dampness!

If live parts or the mains lead become damp this may cause short circuits.

- ▶ The appliance is designed for use in enclosed areas. Do not operate the appliance outdoors or in areas where it is exposed to splash water or damp conditions.

#### 4.1.1 Installation location



#### WARNING

Leaking coolant and oil!

Fire. The coolant contained in the appliance is eco-friendly, but also flammable. The oil contained in the appliance is flammable. Escaping coolant and oil can ignite if the concentration is high enough and in contact with an external heat source.

- ▶ Do not damage the pipelines of the coolant circuit and the compressor.

- Do not install appliance in direct sunlight, next to an oven, radiator or similar.
- The best place for installation is a dry and well ventilated room.
- If the appliance is installed in a very humid environment, condensation can form on the outside of the appliance. Always ensure good airflow and ventilation in the installation location.

# Putting into operation

- The more refrigerant there is in the appliance, the larger the space it is installed in must be. If the space is too small, any leak may create a flammable mixture of gas and air. For every 8 g of refrigerant, the installation space must be at least 1 m<sup>3</sup>. Information regarding the refrigerant can be found on the type plate inside the appliance.
- The floor of the location must be horizontal and even.
- The installation location must be able to withstand the weight of the appliance plus weight when stocked to maximum level. (see 9.1 Technical specifications)
- Use in hazardous areas is not permitted.

## 4.1.2 Electrical connection



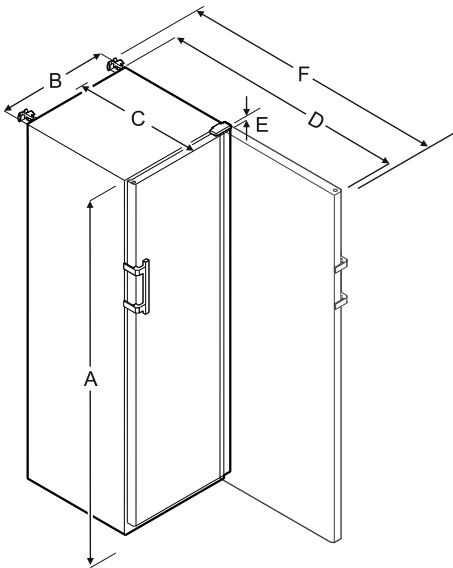
### WARNING

Danger of fire due to incorrect positioning!

If the mains cable or plug touches the back of the appliance, the vibration can damage the mains cable or the plug resulting in a short circuit.

- ▶ Make sure the mains cable is not trapped under the appliance when you position the appliance.
- ▶ Stand the appliance so that it is not touched by connectors or main cables.
- ▶ Do not connect any appliances to sockets in the area of the back of the appliance.
- ▶ Do **not** place and operate multi-sockets/power distributors and other electronic devices (such as halogen transformers) at the back of the appliances.

## 4.2 Appliance dimensions



	HMFvh 4001/4011	HMFvh 5501/5511
<b>A</b>	1884 mm	1793 mm
<b>B</b>	597 mm	747 mm
<b>C</b>	664 mm	779 mm
<b>D</b>	1203 mm	1468 mm
<b>E</b>	23 mm	23 mm
<b>F</b>	1241 mm	1506 mm

**A** = appliance height including feet/castors

**B** = appliance width without handle [handle depth = 45 mm]

**C** = appliance depth without handle [handle depth = 45 mm]

**D** = appliance depth with door open

**E** = hinge height

**F** = appliance depth with protruding handle and anti-tipping device

## 4.3 Transporting appliance



### WARNING

Risk of injury due to broken glass!\*

When transporting at an altitude of more than 1500 m, the glass panes of the door may break. This can result in sharp-edged fragments, which can cause serious injuries.

- ▶ Take appropriate protective action.



### WARNING

Risk of injury and damage due to the appliance tipping over!

▶ Pay attention to uneven floors and ramps when transporting appliances.

### Note when transporting the appliance:

- ▶ Transport the appliance upright.
- ▶ Use two people to transport the appliance.

### During first use:

- ▶ Transport the appliance packaged.

### When transporting appliances after initial commissioning (e. g. moving or cleaning):

- ▶ Empty the appliance.
- ▶ Secure the door against unintentional opening.

## 4.4 Unpacking appliance

- ▶ Check the appliance and the packaging for damage during transport. Contact the supplier immediately if you suspect any damage. Do not connect appliance to the power supply.
- ▶ Remove all packaging materials from the rear or the side walls of the fridge that may prevent proper installation or prevent air flow and ventilation.

## 4.5 Removing transport lock

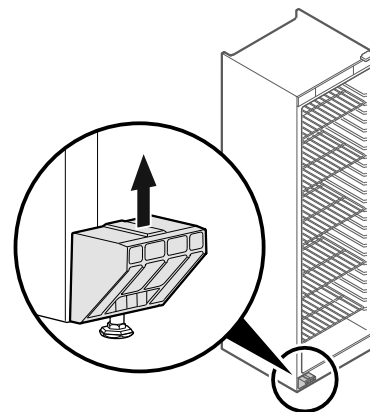


Fig. 6

- ▶ Remove transport lock in upwards direction.
- ▷ Base holder remains on the appliance.



## 4.6 Installing door handle

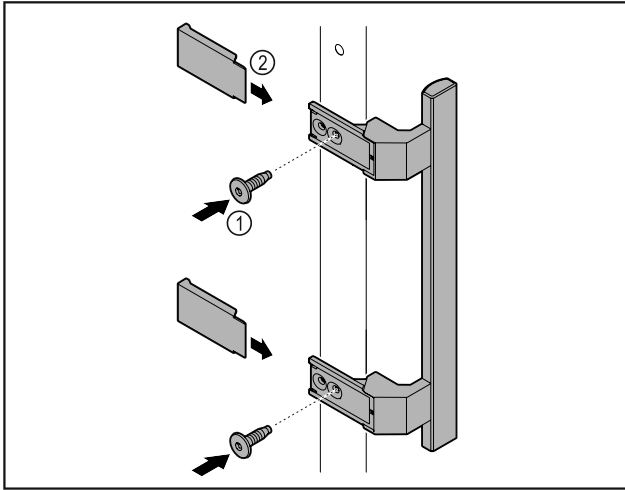


Fig. 7

- ▶ Attach handle from accessory kit to the door using the screws Fig. 7 (1) supplied.
- ▶ Put on cover Fig. 7 (2).

## 4.7 Mounting anti-tipping device

### Tools



Fig. 8



### WARNING

Danger of injury and damage due to appliance tipping over! Danger to life and material damage to appliance. If you remove fully loaded shelves from the appliance, the appliance may tip over.

- ▶ Before putting the appliance into operation: install anti-tipping device in accordance with the instructions.

Prevent appliance from tipping over.

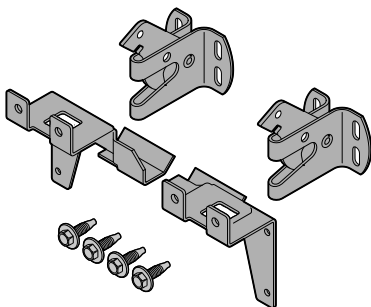


Fig. 9

The anti-tilt device is included with the device. It consists of two retaining parts, two securing hooks and four self-tapping screws (4 x 14).

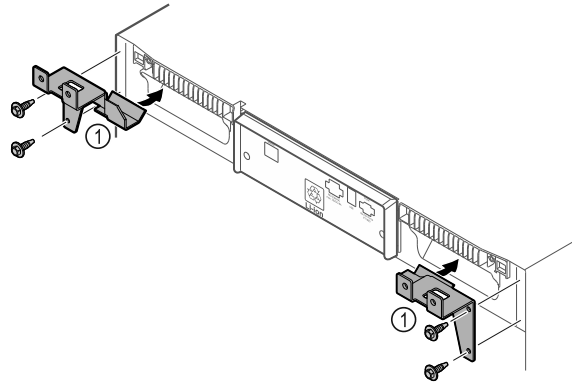


Fig. 10

- ▶ Fit the retaining parts Fig. 10 (1) to the device with self-tapping screws.
- ▶ Push appliance with retaining parts mounted against the wall.

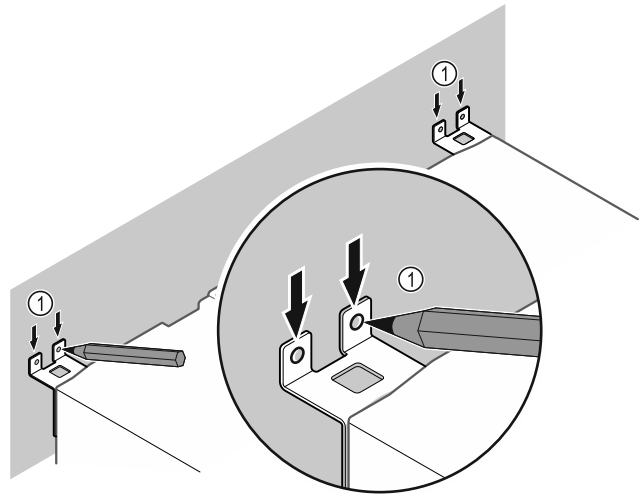


Fig. 11

- ▶ Make markings on the wall Fig. 11 (1).
- ▶ Remove appliance.

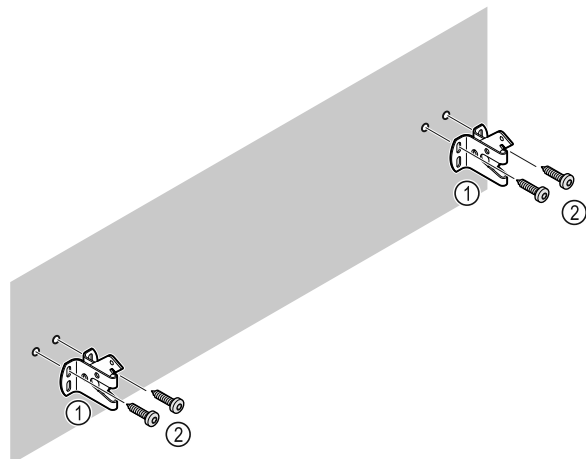


Fig. 12

**Use fixing material (e.g. dowels) which is appropriate for the nature of the wall (wood, concrete) and sufficient attachment points.**

- ▶ Attach retaining hooks.

# Putting into operation

## 4.8 Installing appliance



### CAUTION

Risk of injury and damage.

- ▶ Use 2 people to install appliance.



### CAUTION

Risk of injury and damage.

The door can knock against the wall and become damaged as a result. In the case of glass doors, the damaged glass can cause injuries.

- ▶ Protect the door from knocking against the wall. Attach door stopper, e.g. felt stopper, to the wall.

- ▶ Connect all necessary components (e.g. mains cable) to the back of the appliance and route to the side.

### Note

Cables can be damaged.

- ▶ Do not jam the cable when pushing the appliance back.

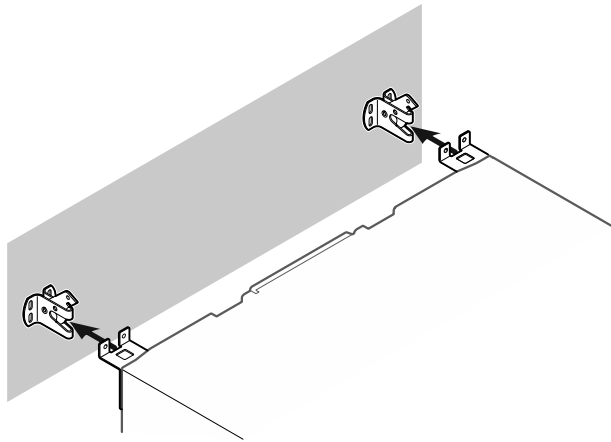


Fig. 13

- ▶ Slide appliance up against the wall so that the retaining parts latch into the securing hooks.
- ▷ The appliance is now secured against tipping.
- ▷ It can be released by folding back the securing hooks.

## 4.9 Setting up the appliance so it is level

### NOTICE

Appliance body is deformed and door does not close.

- ▶ Align appliance horizontally and vertically.
- ▶ Compensate for uneven floors using adjustable feet.



### WARNING

Incorrect height adjustment of the adjustable foot!

Can cause severe or even fatal injury. Incorrect height adjustment can cause the bottom part of the adjustable foot to come loose and the appliance to tip over.

- ▶ Do not unscrew the adjustable foot too far.

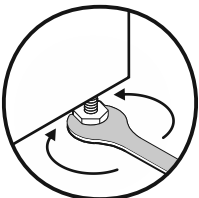


Fig. 14 \*

### Raising appliance:

- ▶ Turn adjustable foot clockwise.

### Lowering appliance:

- ▶ Turn adjustable foot anticlockwise.

## 4.10 Installing multiple appliances

### NOTICE

Risk of damage due to condensation between the side walls.

- ▶ Do not install the appliance directly next to another fridge.

- ▶ Install appliances with a space 3 cm between appliances.

- ▶ Only install multiple appliances up to temperatures of 35 °C and 65% humidity next to one another.

- ▶ At higher levels of humidity, increase space between appliances.

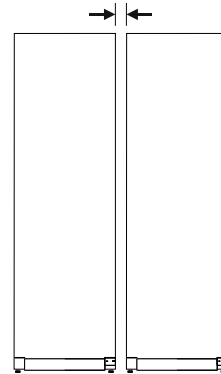


Fig. 15 Side-by-side installation

### Note

A side-by-side kit is available as an accessory via Liebherr Customer Service. (see 9.3 Customer Service)

## 4.11 After installation

- ▶ Peel off the protective films. \*
- ▶ Clean appliance. (see 8.3 Cleaning the appliance)
- ▶ If necessary: Disinfect the appliance.
- ▶ Keep the invoice so you have the appliance and dealer information available if needed.

## 4.12 Disposing of packaging



### WARNING

Danger of suffocation due to packing material and plastic film!

- ▶ Do not allow children to play with packing material.

The packaging is made of recyclable materials:

- corrugated board/cardboard
- expanded polystyrene parts
- polythene bags and sheets
- polypropylene straps
- nailed wooden frame with polyethylene panel\*

- ▶ Take the packaging material to an official collecting point.

## 4.13 Reversing the door opening direction

### Tools



## WARNING

Risk of injury if the door is not reversed correctly!  
 ► The door may only be reversed by qualified personnel.



## WARNING

Risk of injury and material damage due to heavy door!  
 ► Only perform the conversion if you can carry a weight of 25 kg.  
 ► Always have someone help you carry out the conversion.

## NOTICE

Live parts!  
 Damage to electrical components.  
 ► Disconnect the power plug before reversing the door.

► Open the door.

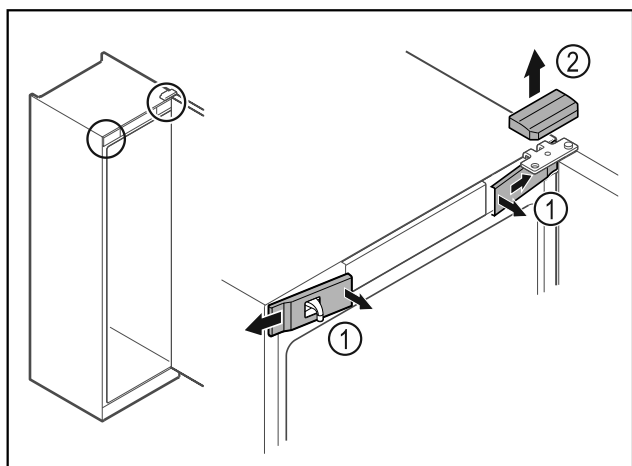


Fig. 16

- Unlatch the front covers Fig. 16 (1) on the inside and remove them sideways.
- Lift off the upper cover Fig. 16 (2).

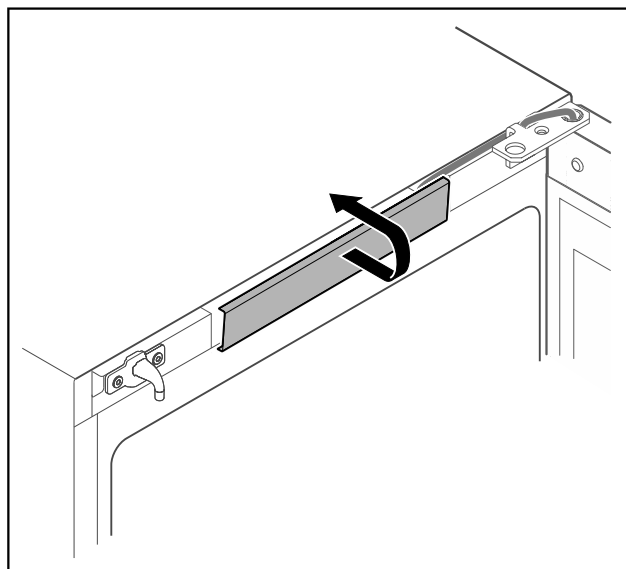


Fig. 17

- Unlatch the middle cover and remove it.

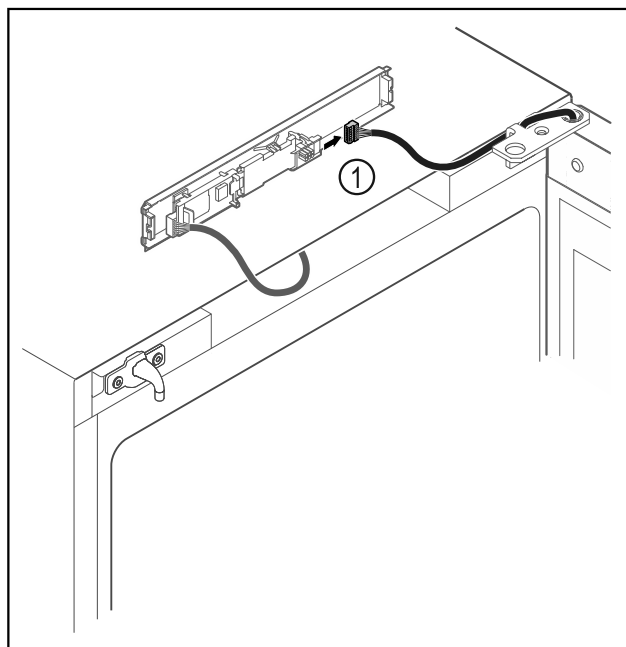


Fig. 18

- Disconnect the plug Fig. 18 (1) from the circuit board.

# Putting into operation

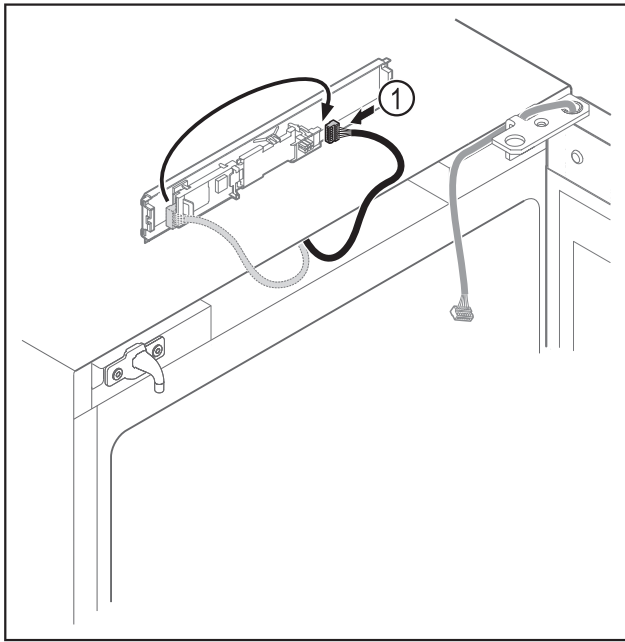


Fig. 19

- ▶ Connect the plug Fig. 19 (1) to the circuit board.

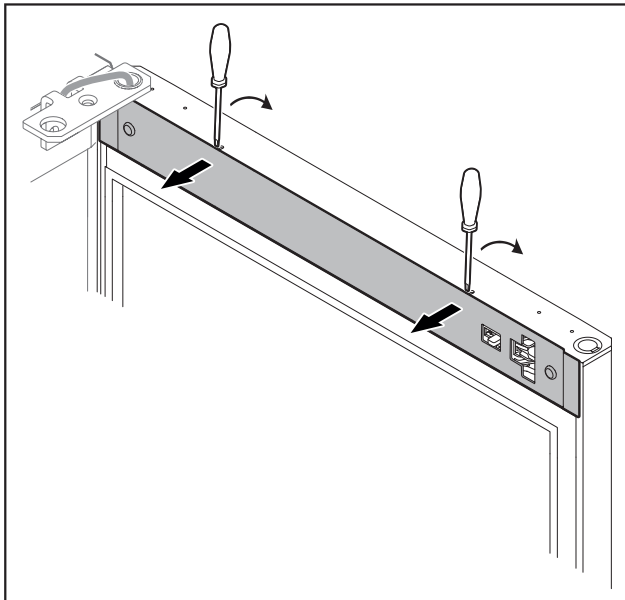


Fig. 20

- ▶ Unlatch the cover with a small screwdriver and take it off.

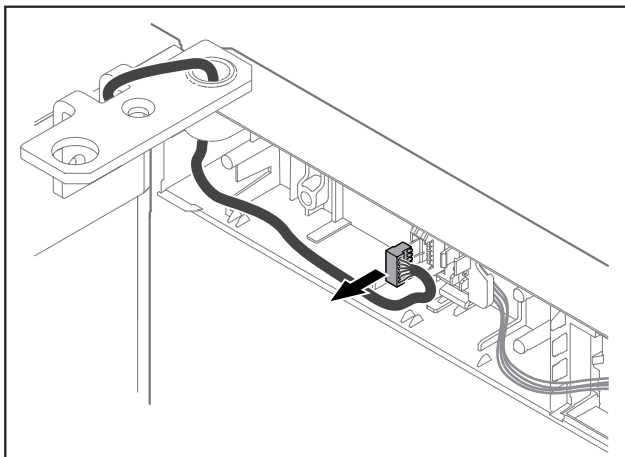


Fig. 21

- ▶ Remove the plug from the plug holder.

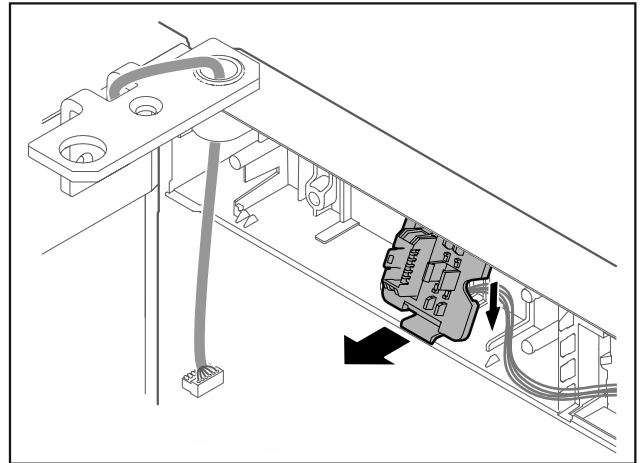


Fig. 22 The installation position of the plug holder can be rotated by 180°.

- ▶ Disengage the plug holder.

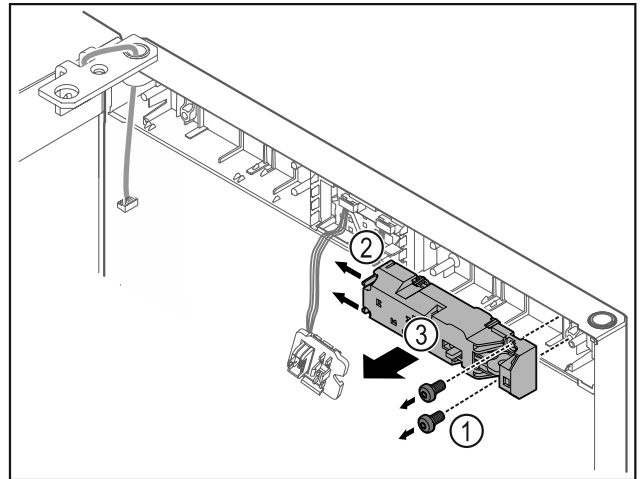


Fig. 23

- ▶ Remove the screws Fig. 23 (1).
- ▶ Press the latching lugs Fig. 23 (2) to the side and take off the remote lock Fig. 23 (3).

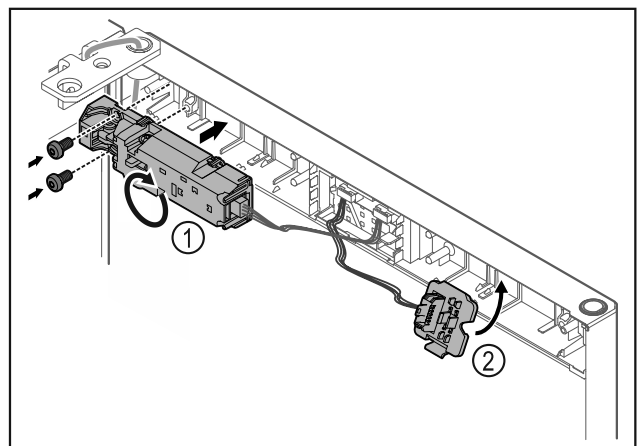


Fig. 24

- ▶ Turn the remote lock Fig. 24 (1) by 180° and fasten it on the opposite side.
- ▶ Snap in the plug holder Fig. 24 (2) on the opposite side.

## NOTICE

- Risk of injury if the door tips out!
- ▶ Hold the door.

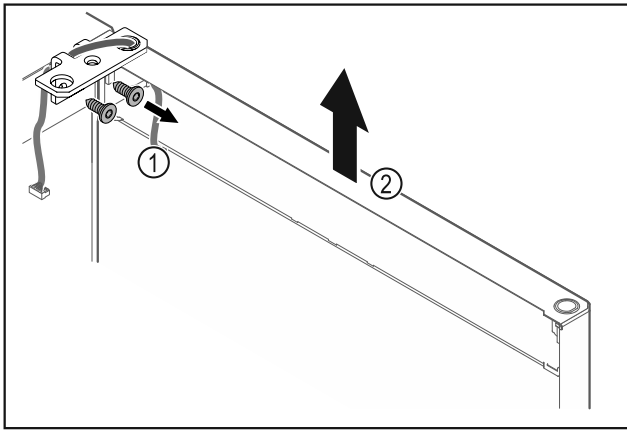


Fig. 25

- ▶ Unscrew the hinge Fig. 25 (1).
- ▶ Lift the door with the hinge straight up by Fig. 25 (2) roughly 200 mm and take it off.
- ▶ Carefully place the door on a soft surface.

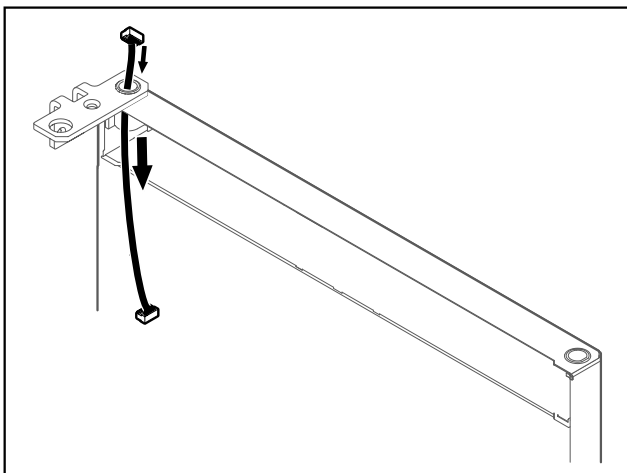


Fig. 26

- ▶ Carefully pull out the cable.

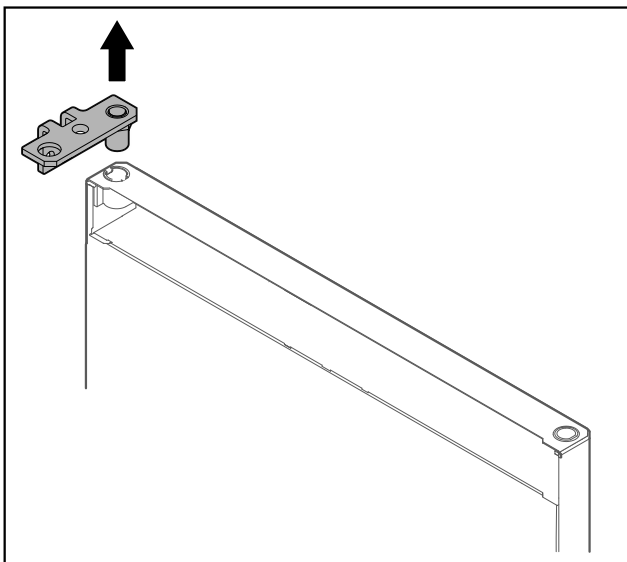


Fig. 27

- ▶ Pull out the hinge.

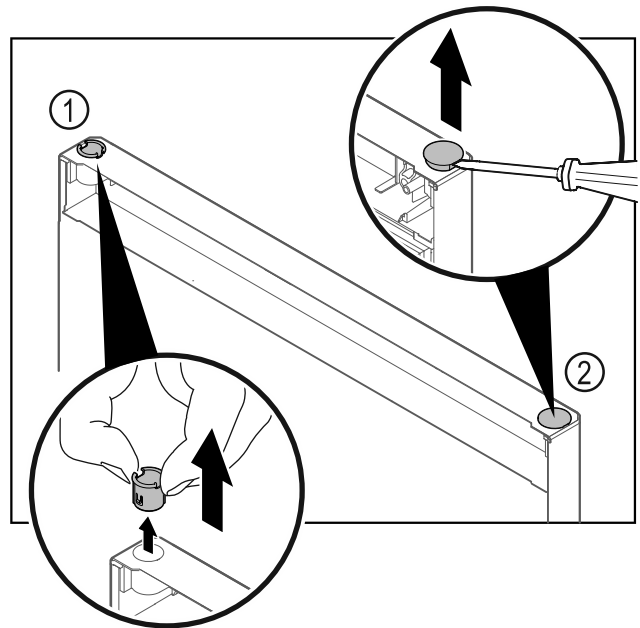


Fig. 28

- ▶ Pull out the hinge bushing Fig. 28 (1) with your fingers.
- ▶ Carefully lift the cover plug Fig. 28 (2) with a slotted screwdriver and pull it out.

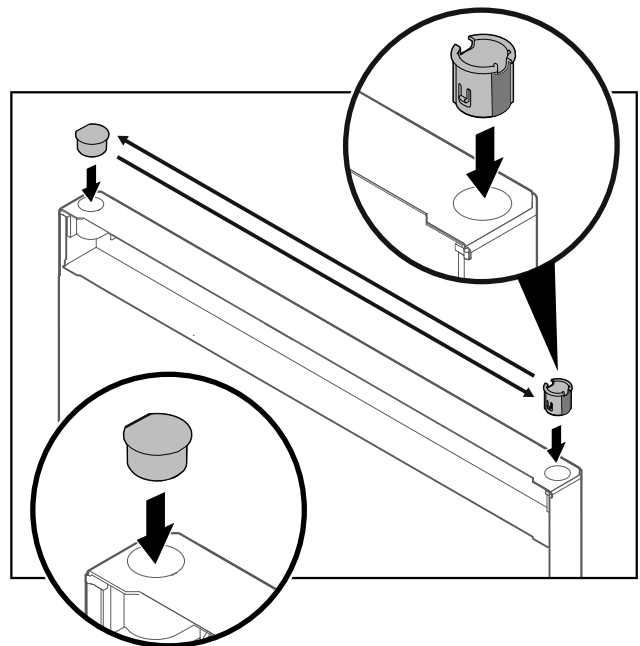


Fig. 29

- ▶ Insert hinge bushing and cover plug on the opposite side (the flattened sides face outwards).

# Putting into operation

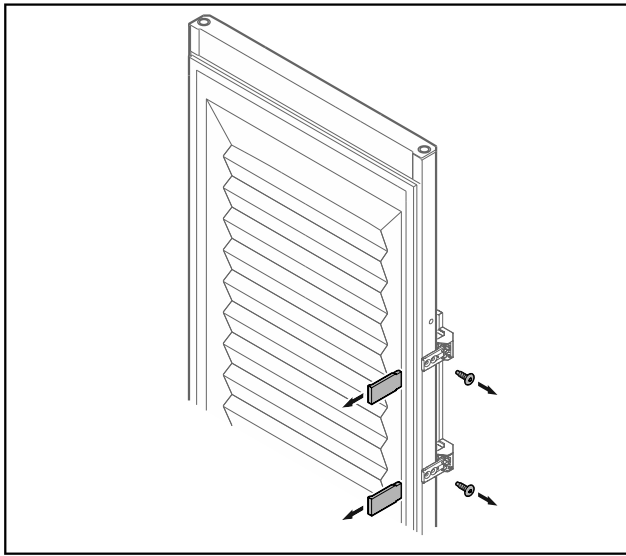


Fig. 30 Insulated door\*

- Fig. 32  
 ► Put the stopper on the opposite side.

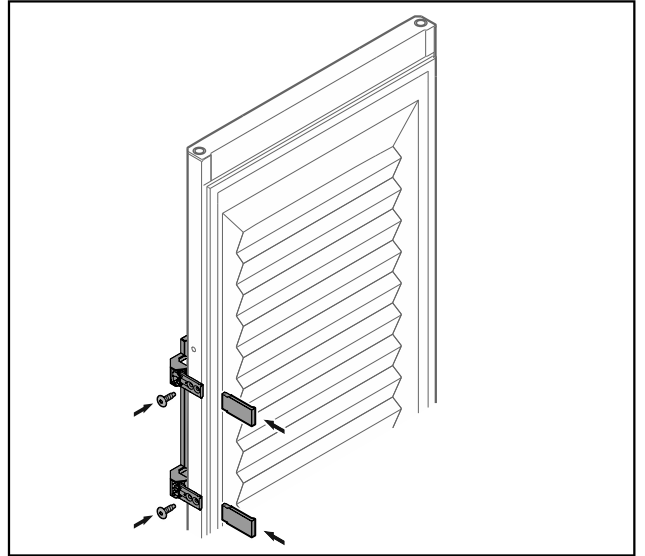


Fig. 33 Insulated door\*

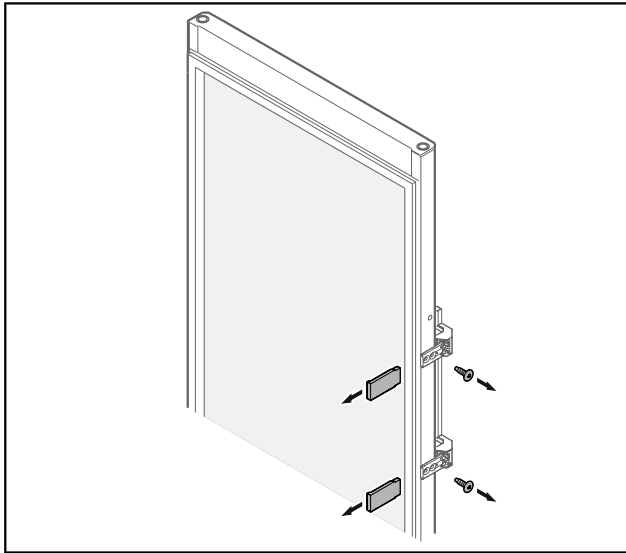


Fig. 31 Glass door\*

- Remove the panels.  
 ► Unscrew the handle.

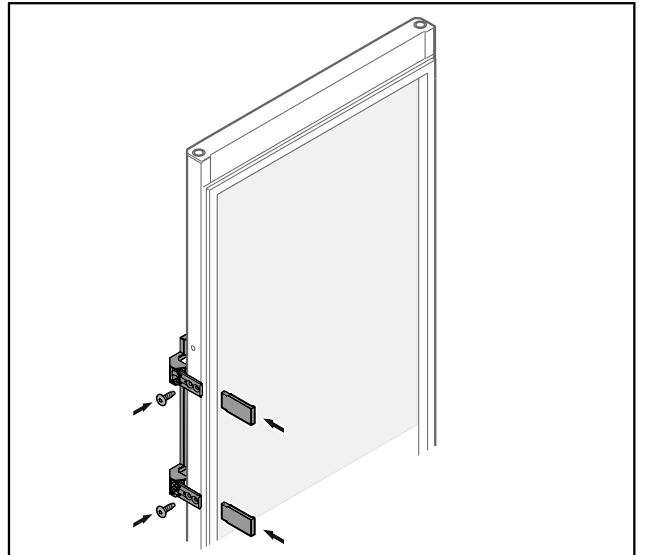
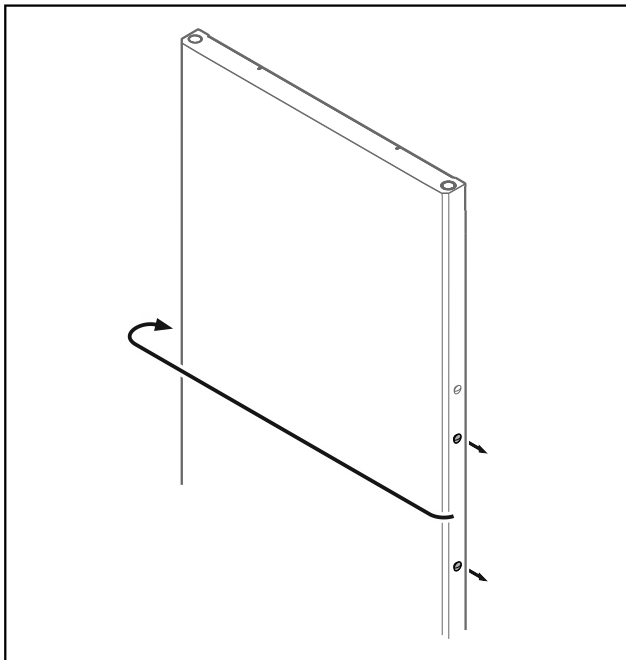


Fig. 34 Glass door\*

- Screw the handle onto the opposite side.  
 ► Attach the panels.



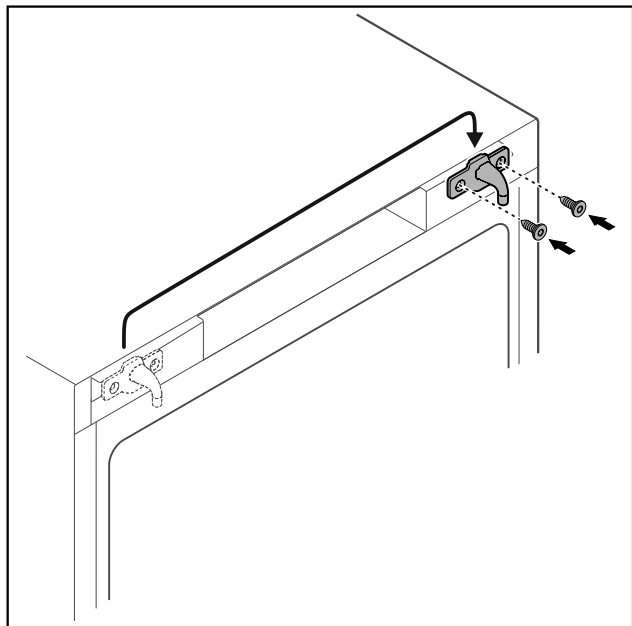


Fig. 35

- Move the door latch to the opposite side.

### Note

The holes are pre-marked and must be pierced with the self-tapping screws.

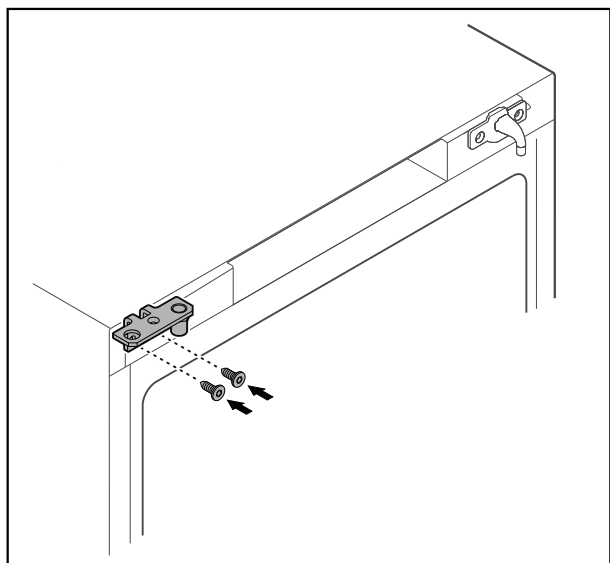


Fig. 36

- Move the hinge to the opposite side.



### WARNING

Risk of injury and material damage if the door tips out!

- Tighten the bearing pins to the specified torque.

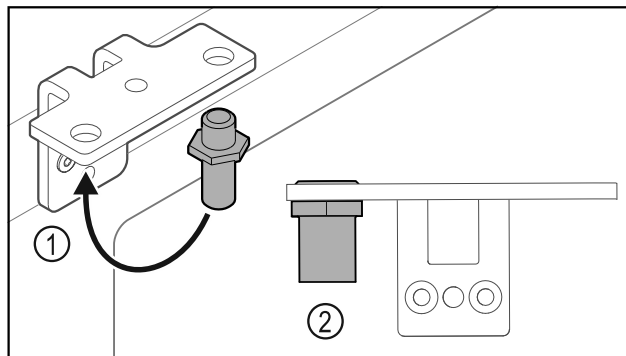


Fig. 37

- Put the pin back into the hinge Fig. 37 (1).
- Tighten the pin Fig. 37 (2) to a **torque of 12 Nm**.
- Unscrew the hinge again.

### NOTICE

Risk of injury due to tensioned spring!

- Do not disassemble the door closing system Fig. 38 (1).

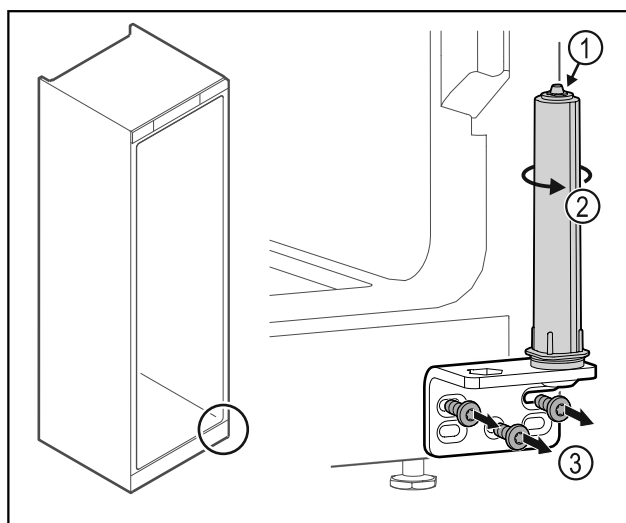


Fig. 38

- Turn the closing system Fig. 38 (2) until it clicks.
- The tension of the closing system is released.
- Unscrew the hinge Fig. 38 (3).

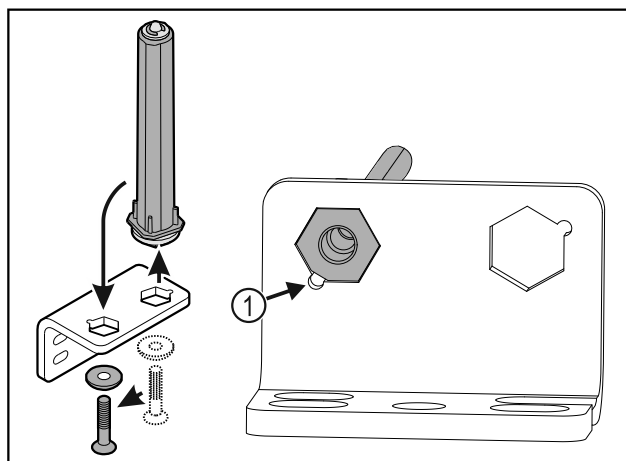


Fig. 39

- Put the door closing system in the hinge.
- Make sure the pin chamfer Fig. 39 (1) faces the round hole when you put it in.

-or-

# Putting into operation

## Note

Incorrect alignment of the height adjustment washers.  
Nuts no longer have sufficient hold.

- ▶ The washer must lock into the underside of the closing system.

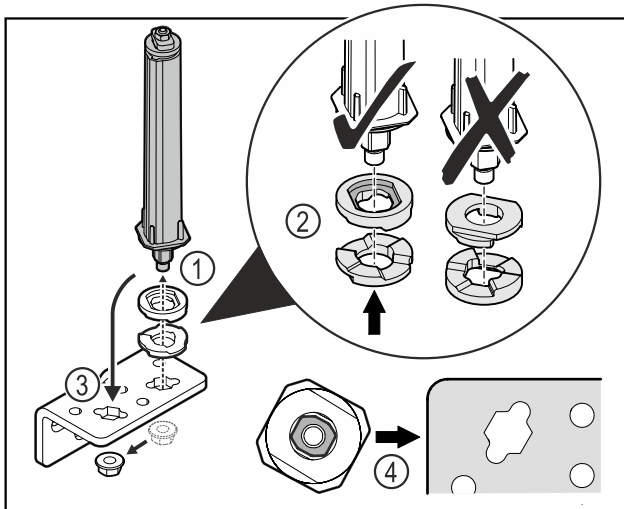


Fig. 40

- ▶ Loosen the nut and remove the door closing system Fig. 40 (1).
- ▶ Observe the correct alignment of the height adjustment washers Fig. 40 (2).
- ▶ Put the door closing system in the hinge and fix in place with the nut Fig. 40 (3).
- ▶ Observe the correct alignment of the door closing system when doing so Fig. 40 (4).

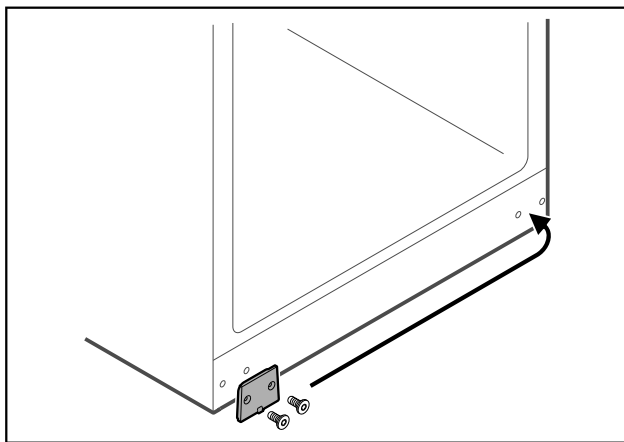


Fig. 41

- ▶ Put the cover plate on the opposite side.

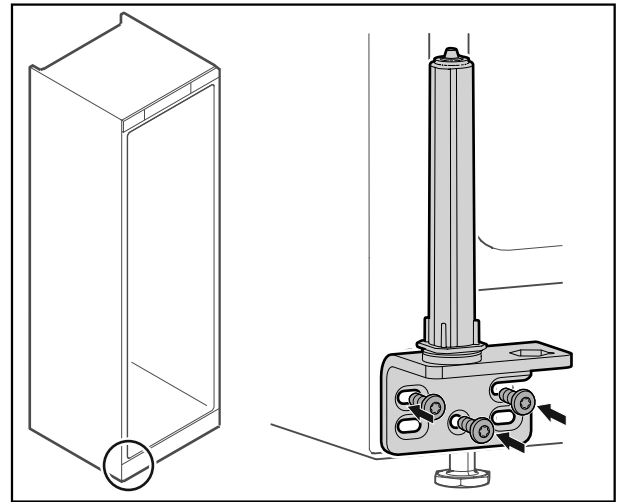


Fig. 42

- ▶ Screw the hinge onto the opposite side.

## Note

Correct alignment and tension are important for the closing system to work properly.

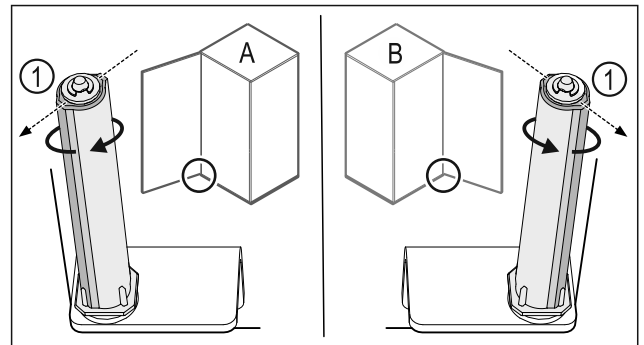


Fig. 43 Left-hinged (A) / Right-hinged (B)

- ▶ Turn the closing system against the resistance until the bar of the closing system Fig. 43 (1) points outwards.
- ▷ The closing system automatically stays in this position.
- ▷ The closing system is now aligned and tensioned.

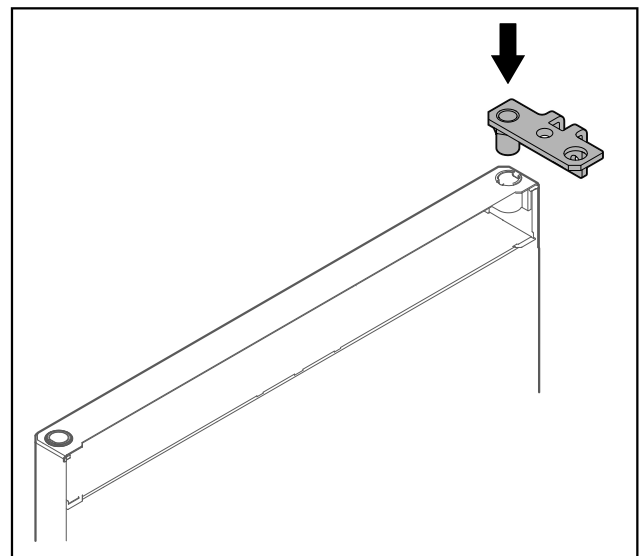


Fig. 44

- ▶ Put the hinge into the door.



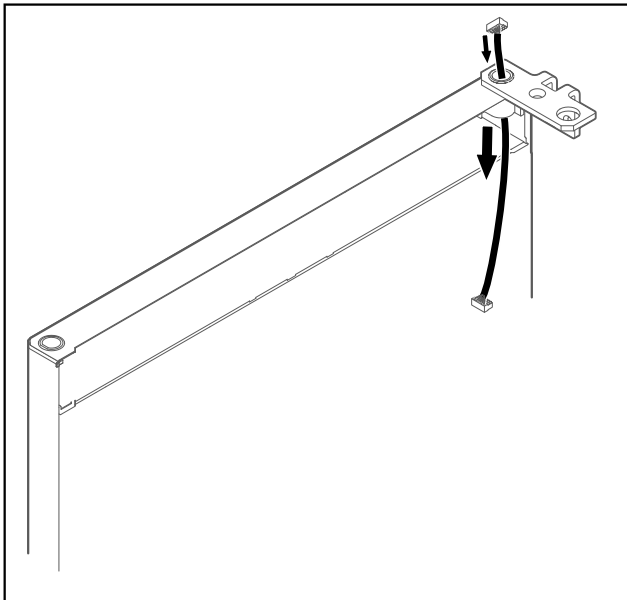


Fig. 45

- ▶ Carefully push the cable through.

### NOTICE

Risk of injury if the door tips out!

- ▶ Hold the door.

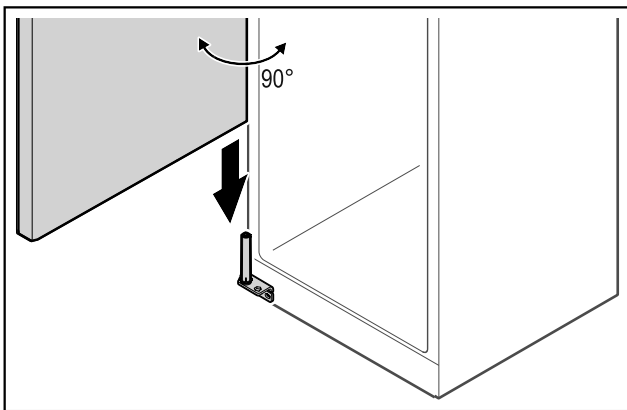


Fig. 46

- ▶ Together with a second person, lift the door from the ground.
- ▶ Carefully put the door on the closing system with the door opened at a 90° angle.

### NOTICE

Material damage due to incorrect mounting!

- ▶ Do not pinch the cable when mounting the hinge.

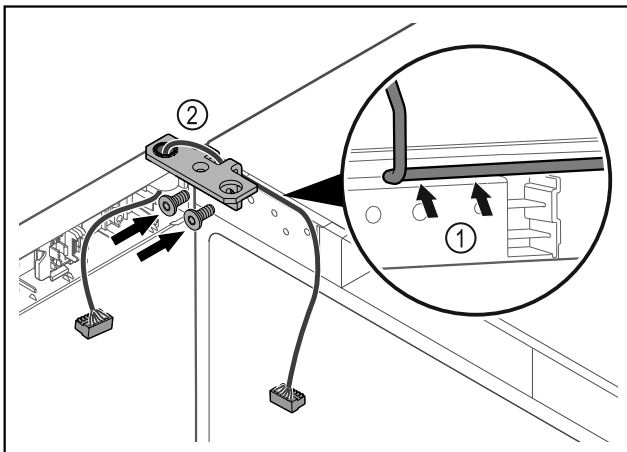


Fig. 47

- ▶ Feed the cable through the recess in the hinge and lay it carefully Fig. 47 (1).
- ▶ Screw on the hinge Fig. 47 (2).

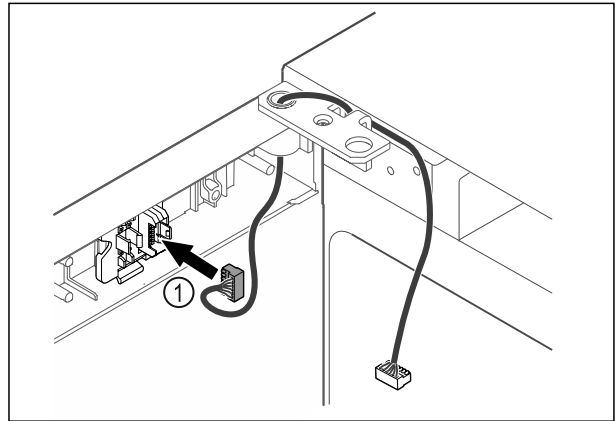


Fig. 48

- ▶ Put the plug Fig. 48 (1) in the plug holder.

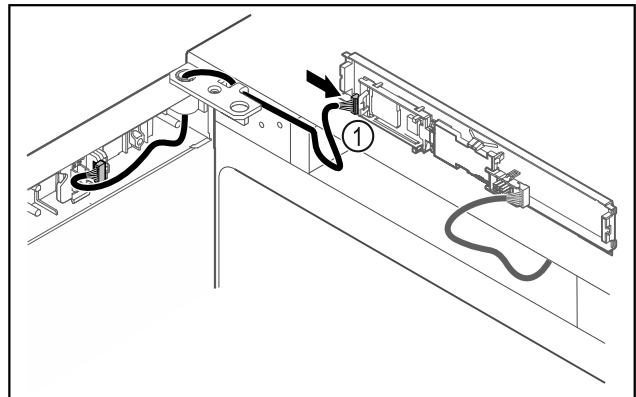


Fig. 49

- ▶ Connect the plug Fig. 49 (1) to the circuit board.

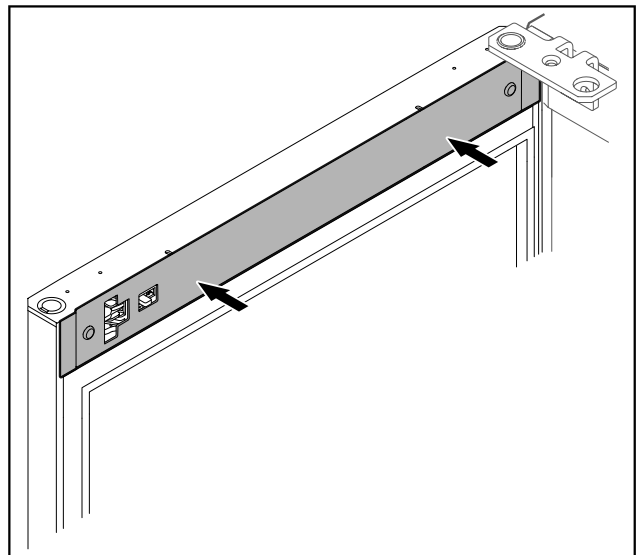


Fig. 50

- ▶ Put on the cover.

# Putting into operation

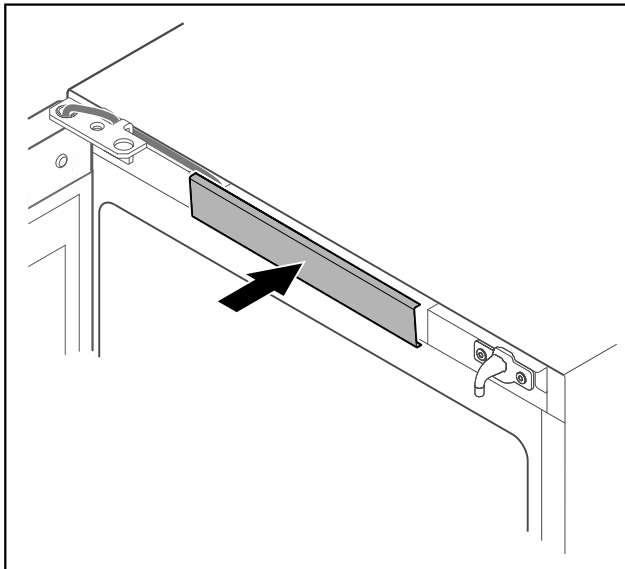


Fig. 51

- ▶ Snap in the middle cover.

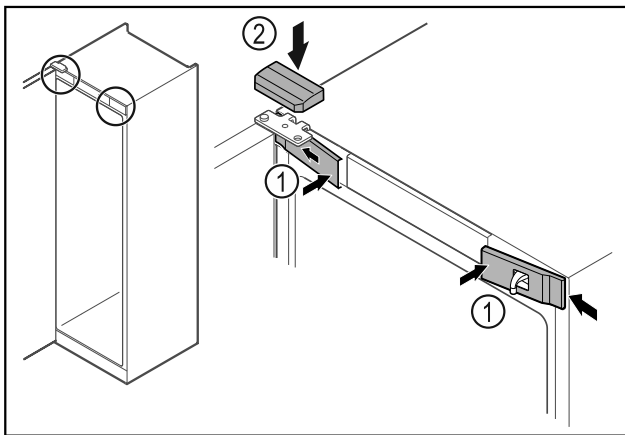


Fig. 52

- ▶ Hook in the front covers Fig. 52 (1) on the side and snap them into place.
- ▶ Snap on the top cover Fig. 52 (2) from above.
- ▶ Close the door.
- ▷ The door has now been reversed.

## 4.14 Aligning the door

If the door is not straight, you can adjust it on the lower hinge.

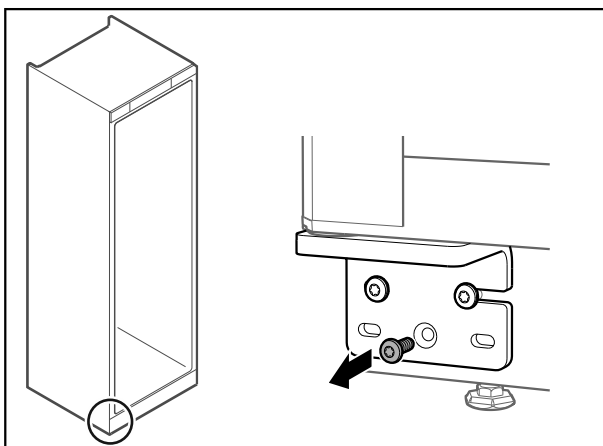


Fig. 53

- ▶ Remove the middle screw on the lower hinge.

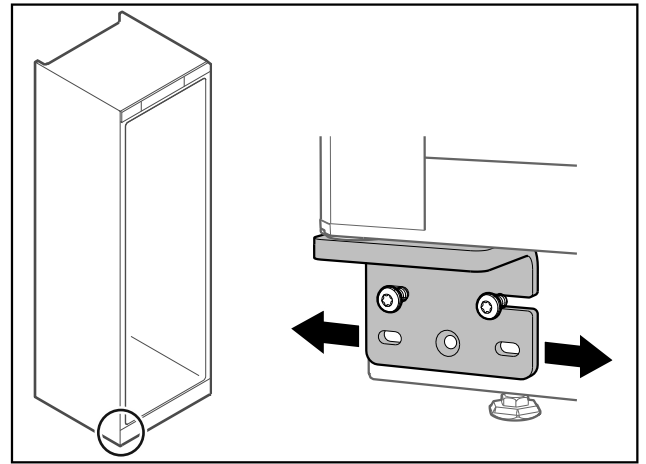


Fig. 54

- ▶ Slightly undo both screws and move the door with the hinge to the left or right.
- ▶ Fully tighten the screws (the middle screw is no longer needed).
- ▷ The door is now straight.

## 4.15 Connecting appliance

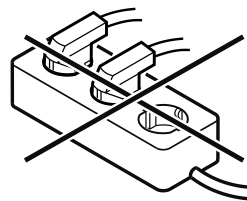


### WARNING

Danger of fire due to incorrect connection!  
Burns.

Damage to the appliance.

- ▶ Do not use an extension cable.
- ▶ Do not use distributor blocks.



### NOTICE

Danger of damage to incorrect connection!

Damage to the appliance.

- ▶ Do not connect the appliance to a stand-alone inverter, e.g. solar power systems and petrol generators.

### Note

Only use the supplied mains cable.

Make sure that the following requirements are fulfilled:

- The appliance operated using **alternating current** only.
- The permitted voltage and frequency is printed on the type plate. The type plate position can be seen in the appliance overview chapter. (see 1.2 Overview of appliance and equipment)
- The socket is earthed according to the regulations and fused.
- The fuse tripping current is between 10 A and 16 A.
- The socket is easily accessible.
- ▶ Check the electrical connection.
- ▶ Insert the appliance plug into the back of the appliance. Ensure that they latch into place.
- ▶ Connect the mains plug to the power supply.
- ▷ The display switches to the standby symbol.

## 4.16 Switching on appliance (first use)

Ensure that the following requirements are met:

- Appliance is installed and connected.
- All adhesive strips, adhesive and protective films and transport locks are removed from inside and outside the appliance.

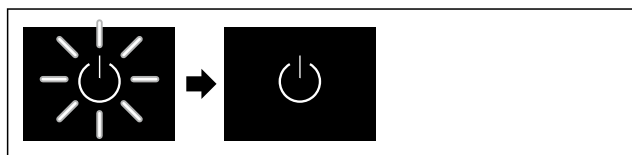


Fig. 55 Example illustration

- ▶ The standby symbol is flashing: Wait until the start process is complete.
- ▷ The display shows the standby symbol.

If the appliance has been supplied with factory settings, the screen language and the date/time first need to be set when using the appliance for the first time.

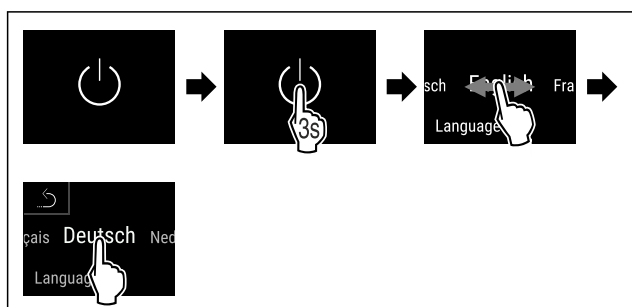


Fig. 56

- ▶ Carry out action steps according to the illustration.
- ▷ Language is set.

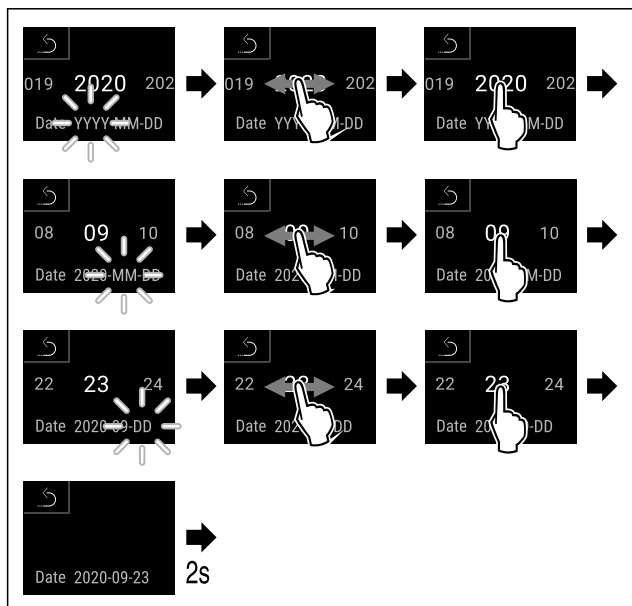


Fig. 57

- ▶ Carry out action steps according to the illustration.
- ▷ Date is set.

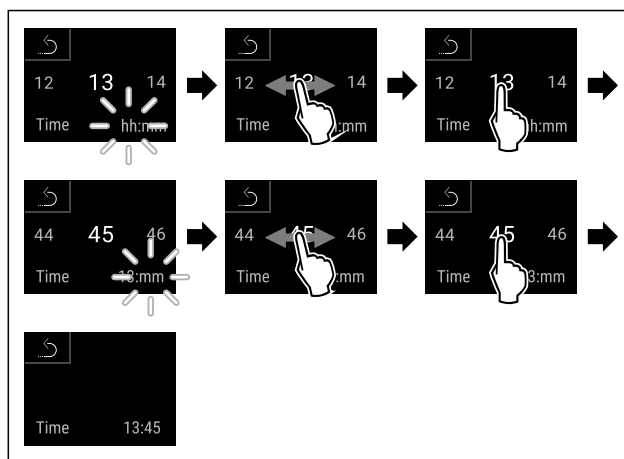


Fig. 58

- ▶ Carry out action steps according to the illustration.
- ▷ Time is set.

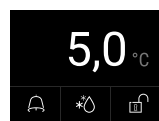


Fig. 59 Status display

- ▷ The appliance is ready for operation once the temperature appears in the display.
- ▷ The temperature display flashes until the set temperature is reached.

## 5 Storage

### 5.1 Information regarding storage

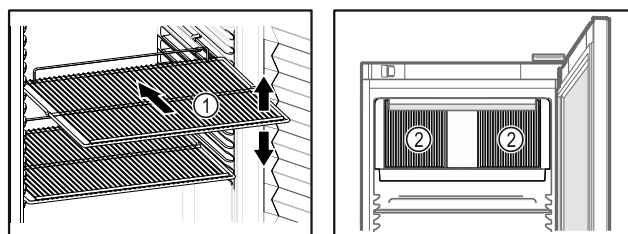



Fig. 60 Example illustration Fig. 61

When stocking observe the following:

- If there are adjustable shelves Fig. 60 (1), position them as required.
  - Observe maximum load weight. (see 9.1 Technical specifications)
  - Do not load appliance until storage temperature has been reached (maintain cold chain).
  - Ventilation slots Fig. 61 (2) for recirculation fan in the interior must be kept clear.
  - Refrigerated goods must not touch the rear wall.
  - Do not store refrigerated goods beyond the rear stop of the support grates.
  - Keep liquids in closed containers.
  - Leave space when storing items for refrigeration to ensure good air circulation.
  - Do not stack refrigerated products above the indicated height. 
- This is important for free air circulation and even temperature distribution in the interior.

## 6 Controls

### 6.1 Control and display elements

The display provides a quick overview of the current appliance status, the temperature setting, the status of functions and settings as well as alarm and error messages.

Operation takes place directly on the Touch & Swipe display by swiping and touching.

Functions can be activated or deactivated and setting values can be changed.



Fig. 62 Touch & Swipe display  
(1) Status display

#### 6.1.1 Status display



Fig. 63 Status display  
(1) Actual temperature                      (3) Defrosting status  
(2) Alarm status                              (4) Door locking status

The status display is the output display.

It displays the temperature in the middle and three symbols in the lower area. The status display can show other display symbols.

Navigation to the functions takes place from the status display.

#### 6.1.2 Display symbols

Display symbols provide information about the status of the appliance.

Symbol	Appliance status
	<b>Standby symbol</b> Appliance is switched off.
	<b>Standby symbol (flashing)</b> Appliance is starting up.

Symbol	Appliance status
	<b>Temperature (flashing)</b> Target temperature not yet reached. Appliance cooling to temperature set.
	<b>Status display (white frame)</b> Appliance is locked.
	<b>D in the display</b> The appliance is in demo mode.
	<b>Maintenance display (yellow)</b> The time interval set has expired.
	<b>Full data memory (yellow)</b> The data memory (999 hours) is full. From now, the oldest data will be overwritten.
	<b>Full alarm memory (yellow)</b> The alarm memory is full. Delete individual alarms or entire memory.
	<b>Manual door opening (yellow)</b> The locked door was opened manually.
	<b>Error symbol (red)</b> Appliance is in error state.
	<b>Background (blue)</b> Active setting or active function
	<b>Bar (increasing)</b> Press for 3 seconds to activate setting.
	<b>Bar (decreasing)</b> Press for 3 seconds to deactivate setting.

Symbols on the status display

The additional symbols on the bottom of the status display enable fast access to alarm information and details regarding the appliance status.

Symbol	Appliance status
	<b>Alarm symbol (grey)</b> Alarm archive is empty. Pressing briefly opens the alarm archive.
	<b>Alarm symbol (white)</b> There are confirmed alarms in the alarm archive. Pressing briefly opens the alarm archive.

Symbol	Appliance status
	<b>Alarm symbol (red)</b> There are still unconfirmed alarms in the alarm archive. Pressing briefly opens the alarm archive.
	<b>Alarm symbol (red, flashing)</b> There is an active alarm in the archive. Pressing briefly opens the alarm archive.
	<b>Defrosting symbol (grey)</b> No active defrosting process.
	<b>Defrosting symbol (white, flashing)</b> Manual defrosting process active. Pressing briefly opens the manual defrosting. (see 6.2.23 Defrosting )
	<b>Defrosting symbol (white)</b> Automatic defrosting process active. Function cannot be aborted.
	<b>Door lock symbol (white, closed)</b> The door lock is active. Pressing briefly opens the code entry for opening the door. (see 6.2.6 Door lock )
	<b>Door lock symbol (white, open)</b> The door lock is inactive. Brief press opens the code entry for locking the door. (see 6.2.6 Door lock )

Additional symbols on the status display

### 6.1.3 Acoustic signals

A signal sounds in the following cases:

- If a function or a value is confirmed.
- If a function or a value can either not be activated or not deactivated.
- As soon as an error occurs.
- If there is an alarm message.

The alarms can be switched on and off in the customer menu.

## 6.2 Appliance functions

### 6.2.1 Notes on the appliance functions

The appliance functions are set at the factory so that your appliance is fully functional.

Before you alter, activate or deactivate the device functions, make sure that the following requirements are met:

- You have read and understood the descriptions of how the display works. (see 3 Functionality of the Touch & Swipe display)
- You have familiarised yourself with the operating and display elements of your appliance. (see 6.1 Control and display elements)

### 6.2.2 Switching appliance on and off



This function makes it possible to switch the entire appliance on and off.

### Switching on appliance

If demo mode is not activated:

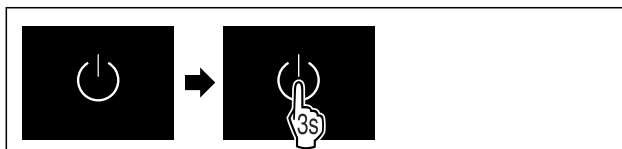


Fig. 64

▶ Carry out action steps according to the illustration.

If demo mode is activated:

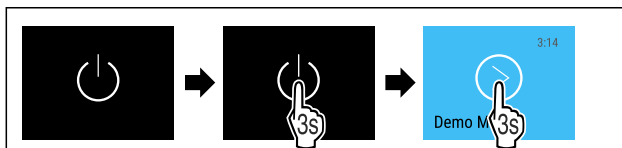


Fig. 65

▶ Carry out action steps according to the illustration.

### Note

Deactivate demo mode before the countdown has finished.

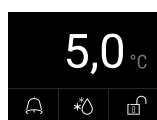


Fig. 66 Status display

▷ The temperature appears in the display.

### Switching off appliance

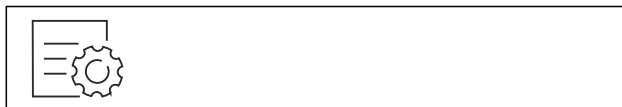


Fig. 67

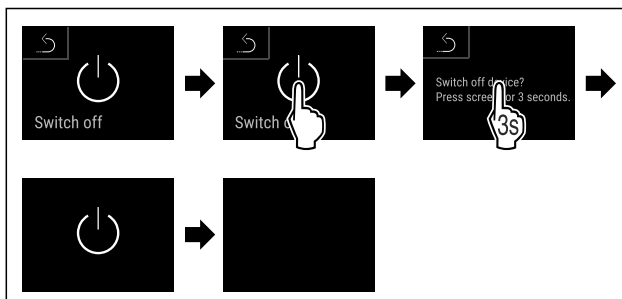


Fig. 68

▶ Carry out action steps according to the illustration.

▷ Standby symbol is shown in the display.

▷ The display switches off automatically after around 10 minutes.

### 6.2.3 Temperature



The temperature inside the appliance is set to 5 °C (+/-3 K) as required by DIN 13277 and cannot be changed.

### Note

▶ Do not stock the produce for cooling until the temperature in the appliance is 5 °C.

The temperature depends on the following factors:

- How often the door is opened
- How long the door is open for

# Controls

- The room temperature of the installation site
- The type, temperature and amount of refrigerated food

## Note

The temperature may differ from the temperature displayed in some areas of the interior.

At the correct temperature, cooled produce will keep for longer. This avoids disposing of food unnecessarily.



## 6.2.4 Temperature recording

The appliance displays the minimum and maximum temperatures of the interior via this function. The recording of these temperatures starts automatically after the appliance is switched on; they are recorded at one minute intervals. A note indicating that the data memory is full is displayed after 999 hours (approx. 40 days). The temperature recording should then be reset.

## Note

The entire temperature history as well as alarm and service messages are also recorded independently of this function. This data can be exported and backed up on a USB storage medium. (see 6.2.24 Data download / Datalogging )

If there is an additional product sensor installed on the appliance, there is the option of selecting this sensor to display the minimum and maximum temperatures. (see 6.2.25 Sensor calibration )

## Note

The temperature recording should be reset once **after reaching the set temperature** when the appliance is commissioned. (see Resetting temperature recording) This ensures that the value for the maximum temperature is a meaningful value.

## Displaying temperature recording

The temperature recording displays the length of the recording and the minimum and maximum temperatures measured during this period of time.



Fig. 69

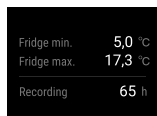


Fig. 70

- ▷ Status screen with the temperature recordings is displayed.

## Resetting temperature recording

The displayed minimum and maximum temperatures can be reset at any time. This deletes the displayed values and the recording interval starts again.



Fig. 71

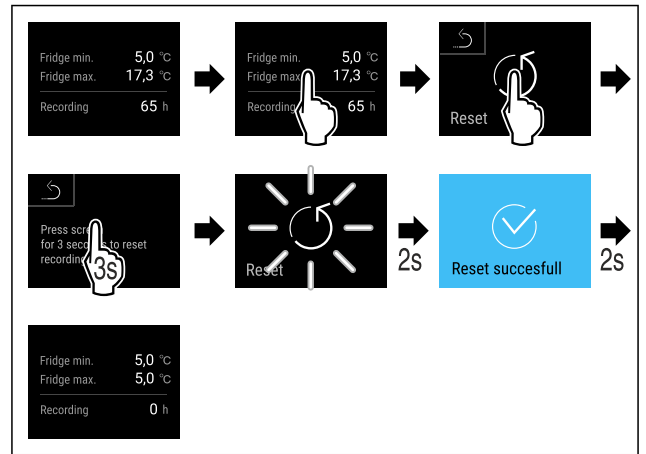


Fig. 72

- ▶ Carry out action steps according to the illustration.
- ▷ Temperature recording is reset.



## 6.2.5 Lighting

The appliance is fitted with interior lighting.

You can keep the interior lighting on continuously. (see Switching on lighting\*) \*

When you open the appliance door, the interior lighting switches on. You can also deactivate this function. (see Switching off the lighting when opening the door)

### Switching on lighting\*



Fig. 73

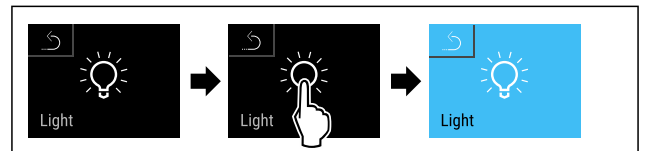


Fig. 74

- ▶ Carry out action steps according to the illustration.
- ▷ Lighting is switched on.

### Switching off lighting\*



Fig. 75

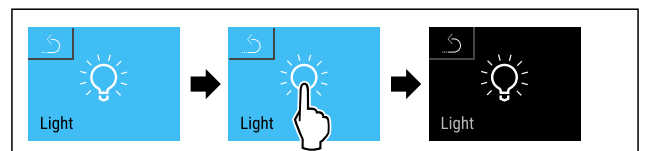


Fig. 76

- ▶ Carry out action steps according to the illustration.
- ▷ Lighting is switched off.

### Switching off the lighting when opening the door



Fig. 77

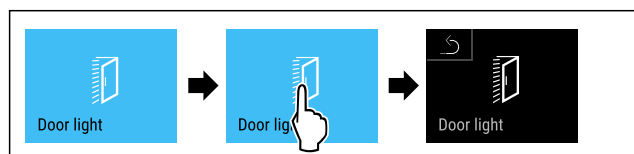


Fig. 78

- ▶ Carry out action steps according to the illustration.
- ▷ The lighting is switched off when the door is opened.

### Switching on the lighting when opening the door

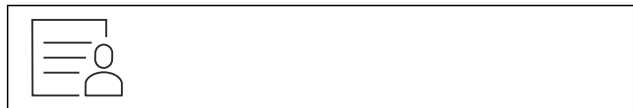


Fig. 79

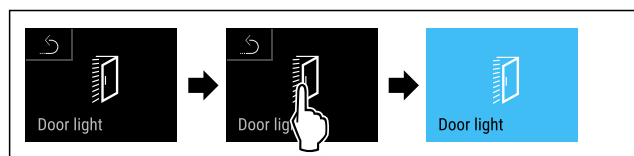


Fig. 80

- ▶ Carry out action steps according to the illustration.
- ▷ The lighting is switched on when the door is opened.

## 6.2.6 Door lock



The appliance is fitted with an electronic door lock. **When using the first time, the door is unlocked** and you can open it.

This function means the appliance can be secured against the unwanted removal of items.

You have the following setting options for this:

- Lock door using door code.
- Unlock door using door code.
- Activate automatic locking.
- Deactivate automatic locking.
- Set time delay for automatic locking.
- Change the door code. (see 6.2.9 Access codes)
- Reset the door code. (see 6.2.9 Access codes)
- Pair remote control. (see 6.2.10 Remote control)

### Locking door using door code

#### Note

- ▶ In the following example, the factory-set PIN code: **1 1 1 1** is used.



Fig. 81 Status display

Starting from the status display, the door code entry begins by pressing the open padlock symbol.

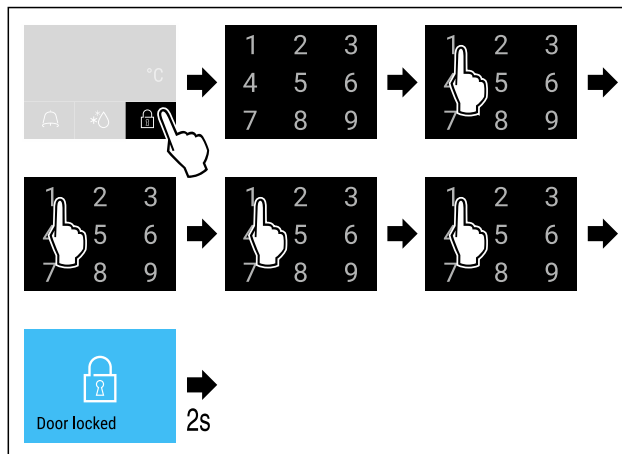


Fig. 82 Locking door using door code 1 1 1 1.

- ▶ Carry out action steps according to the illustration.

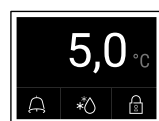


Fig. 83 Status display with white border

- ▷ The door is locked.

### Unlocking door using door code

#### Note

- ▶ In the following example, the factory-set PIN code: **1 1 1 1** is used.

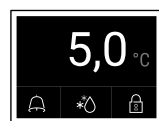


Fig. 84 Status display with white border

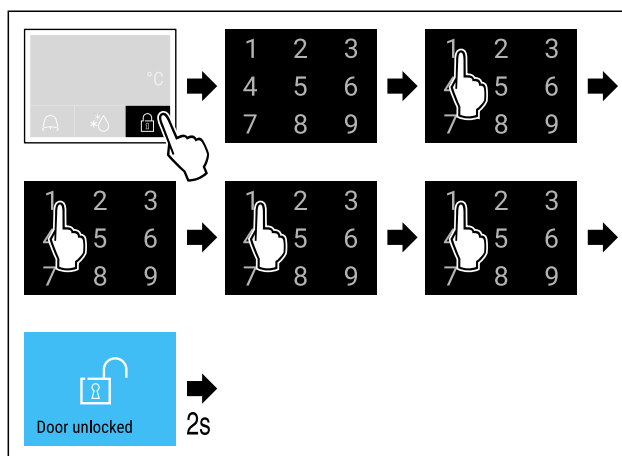


Fig. 85 Unlock the door with door code 1 1 1 1.

- ▶ Carry out action steps according to the illustration.

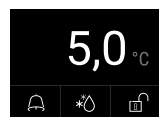


Fig. 86 Status display

- ▷ The status display with an open padlock symbol appears.
- ▷ The door is unlocked.

### Activating automatic locking



Fig. 87

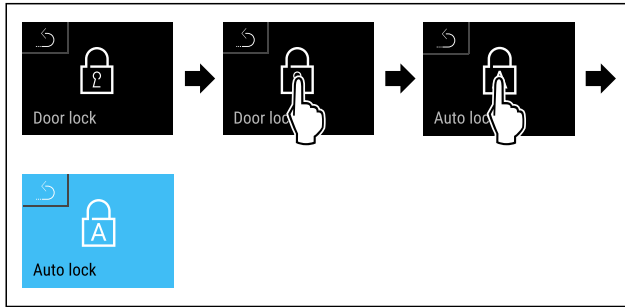


Fig. 88

- ▶ Carry out action steps according to the illustration.
- ▷ Automatic locking is activated.
- ▷ The time delay (see Setting time delay for automatic locking) can now be set.

**Note**

You can continue to lock and unlock the door using the remote control (see 6.2.10 Remote control ) or by entering the door code.

**Deactivating automatic locking**



Fig. 89

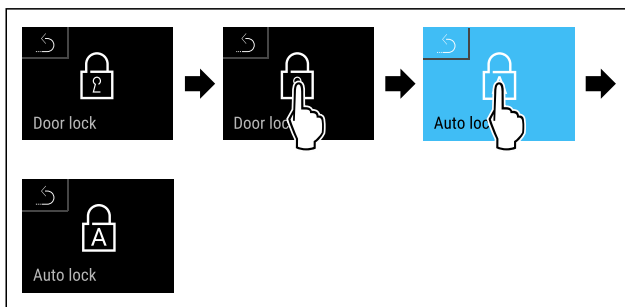


Fig. 90

- ▶ Carry out action steps according to the illustration.
- ▷ Automatic locking is deactivated.

**Setting time delay for automatic locking**

This function sets the time delay of the automatic door lock after a door is opened.

Make sure that the following requirements are fulfilled:

- The automatic door locking (see Activating automatic locking) is activated.



Fig. 91

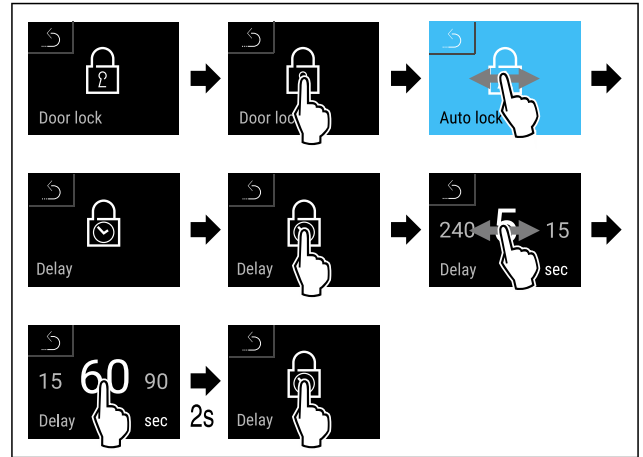


Fig. 92 The following values can be set: 5, 15, 60, 90, 120, 180 and 240 seconds

- ▶ Carry out action steps according to the illustration.
- ▷ Time delay is set.

**Changing door code**

(see 6.2.9 Access codes)

**Resetting door code**

(see 6.2.9 Access codes)

**Pairing remote control**

(see 6.2.10 Remote control )

**6.2.7 SmartLock**



To prevent the removal of the cooled produce, this function enables automatic door locking after the temperature alarm has been triggered. (see 6.2.26 Temperature alarm ) The locking delay time can be set. The door can then only be opened with the SmartLock PIN code.

Application:

- Activating the SmartLock.
- Deactivating the SmartLock.
- Setting the locking delay.
- Unlocking the door lock with the SmartLock PIN code.
- Changing the SmartLock PIN code. (see 6.2.9 Access codes)
- Resetting the SmartLock PIN code. (see 6.2.9 Access codes)

**Activating SmartLock**

**Note**

- ▶ In the following example, the factory-set PIN code: **1 1 1 1** is used.



Fig. 93



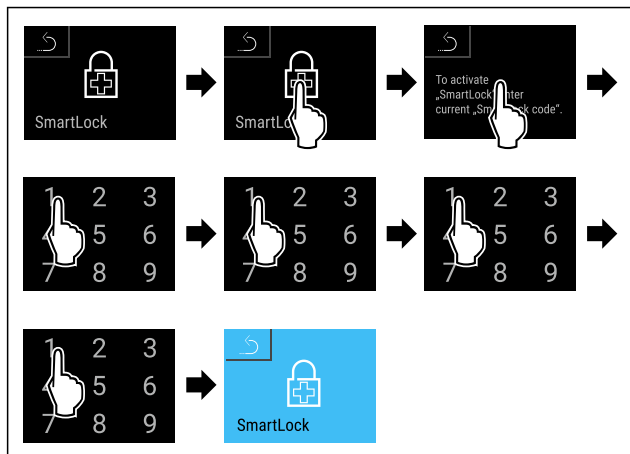


Fig. 94

- ▶ Carry out action steps according to the illustration.
- ▷ SmartLock is activated.
- ▷ The locking delay interval can now be selected. (see Setting locking delay)

### Deactivating SmartLock

#### Note

- ▶ In the following example, the factory-set PIN code: **1 1 1 1** is used.

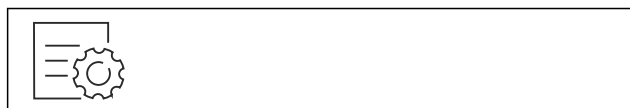


Fig. 95

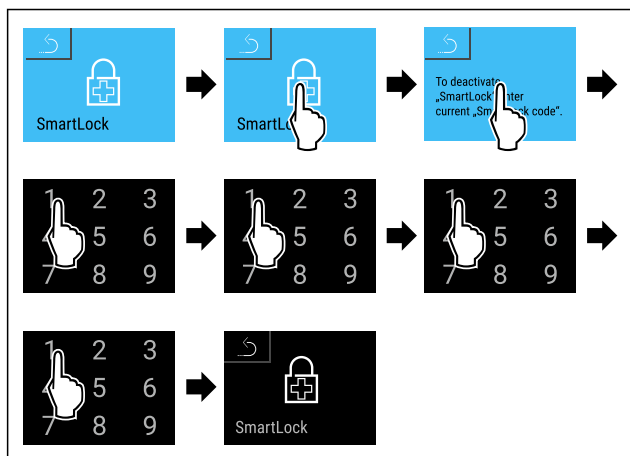


Fig. 96

- ▶ Carry out action steps according to the illustration.
- ▷ SmartLock is deactivated.

### Setting locking delay

Make sure that the following requirements are fulfilled:

- SmartLock must be activated. (see Activating SmartLock)



Fig. 97

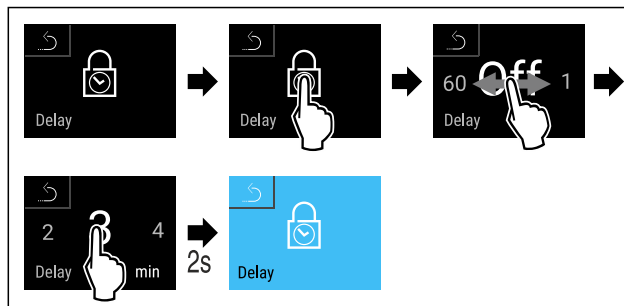


Fig. 98 The following values can be set: Off (no waiting time) up to 60 minutes; in 1-minute increments

- ▶ Carry out action steps according to the illustration.
- ▷ The time for the locking delay has been set.

### Unlocking door lock with SmartLock PIN code

After the temperature alarm has been triggered (see 6.2.26 Temperature alarm ) the door is locked automatically via the SmartLock function.

Opening is now only possible with the SmartLock PIN code.

#### Note

- ▶ In the following example, this SmartLock PIN code is used: **2 3 4 5**

Entry of the SmartLock PIN code starts from the status display. Information about the SmartLock function and the temperature recording for the temperature alarm are displayed.

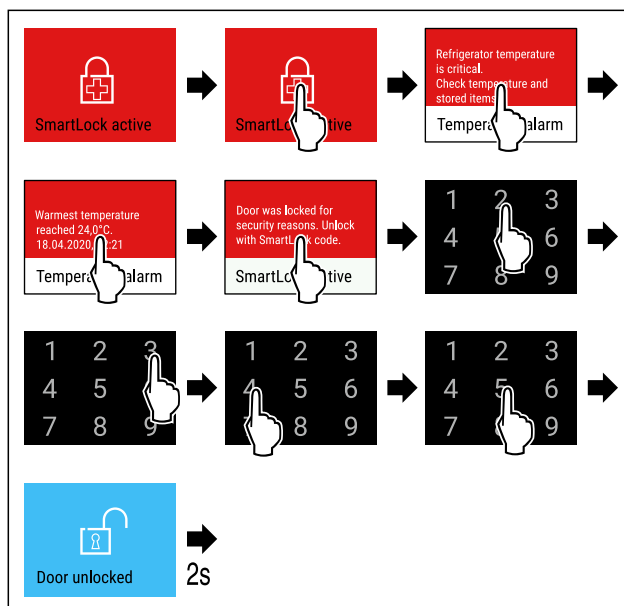


Fig. 99

- ▶ Carry out action steps according to the illustration.
- ▷ The door is unlocked.



Fig. 100 Status display

- ▷ The temperature appears in the display.

### Changing the SmartLock PIN code

(see 6.2.9 Access codes)

### Resetting the SmartLock PIN code

(see 6.2.9 Access codes)

## 6.2.8 Settings menu access protection



This function enables the settings menu access protection via a four-digit PIN code.

Application:

- Prevent settings and functions being changed unintentionally.
- Prevent appliance being switched off unintentionally.
- Prevent temperature being set unintentionally.

### Activating the settings menu access protection

#### Note

► In the following example, the factory-set PIN code: **1 1 1 1** is used.



Fig. 101

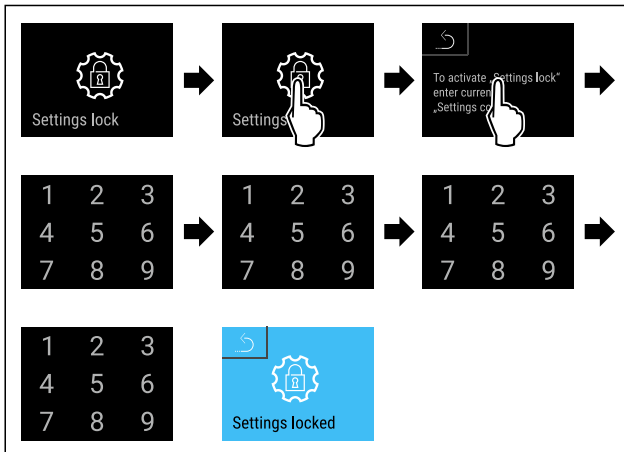


Fig. 102

- Carry out action steps according to the illustration.
- ▷ Settings menu access protection is activated.

### Changing the access protection PIN code for the settings menu

(see 6.2.9 Access codes)

### Deactivating the settings menu access protection

#### Note

► In the following example, the factory-set PIN code: **1 1 1 1** is used.



Fig. 103

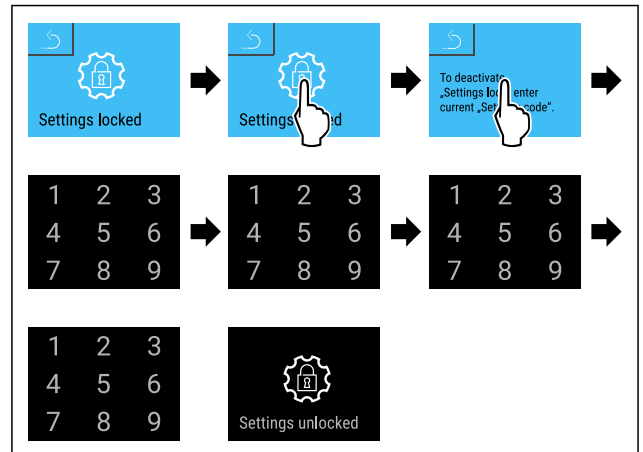


Fig. 104

- Carry out action steps according to the illustration.
- ▷ Settings menu access protection is deactivated.

### Opening protected settings menu

If the settings menu access protection is active, it is necessary to enter the PIN code to open the settings menu.

The settings menu remains unlocked for 20 minutes after entering the correct PIN code.

#### Note

► In the following example, the factory-set PIN code: **1 1 1 1** is used.

- **Access protection for the settings menu must be active.**
- Swipe left or right until corresponding function is displayed.

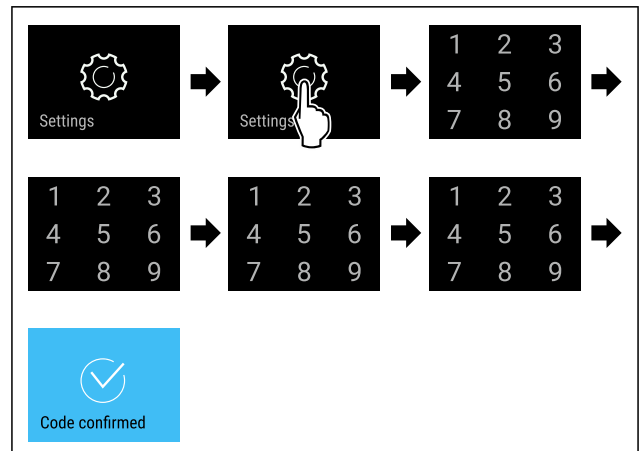


Fig. 105

- Carry out action steps according to the illustration.
- ▷ PIN code is correct: settings menu opens.

## 6.2.9 Access codes

Various settings are possible.

Application:

- Changing the door code.
- Resetting the door code.
- Changing the setting code.
- Resetting the setting code.
- Changing the SmartLock code.
- Resetting the SmartLock code.



## Door code

### Changing door code

The setting allows the door code for the door lock to be changed.

The setting is made in three stages:

- Entering the old door code
- Entering the new door code
- Confirming the new door code

#### Note

- ▶ In the following example, the default factory set door code **1 1 1 1** is changed.
- ▶ The new door code is: **2 3 4 5**



Fig. 106

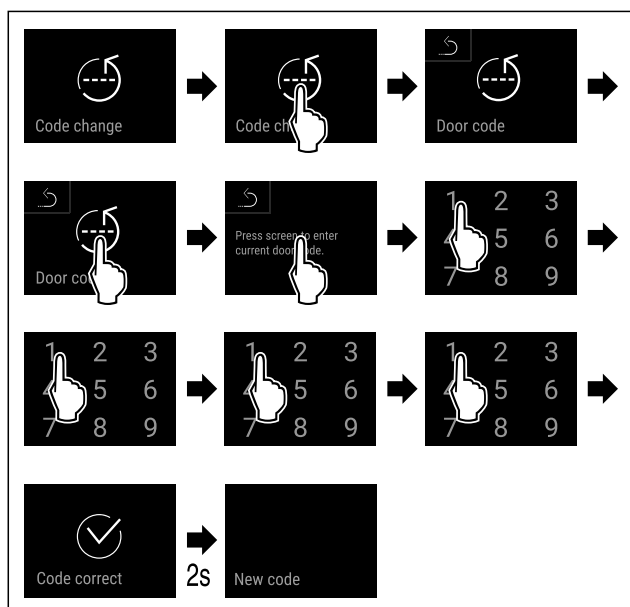


Fig. 107

- ▶ Carry out action steps according to the illustration.
- ▷ Entry of the old door code successful.

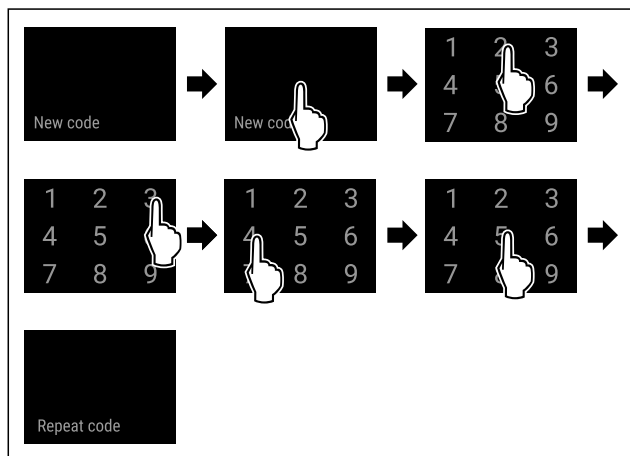


Fig. 108

- ▶ Carry out action steps according to the illustration.
- ▷ Entry of the new door code successful.

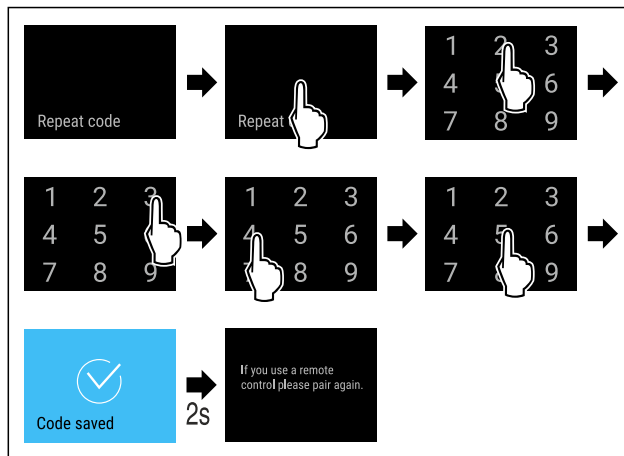


Fig. 109

- ▶ Carry out action steps according to the illustration.
- ▷ Confirmation of the new door code successful.
- ▷ The door code has been changed.
- ▶ Re-pair the remote control. (see 6.2.10 Remote control )

### Resetting door code

Door code forgotten or not known.

- ▶ Reset appliance to factory settings. (see 6.2.33 Resetting to factory settings )
- ▷ The appliance is reset to the original settings.
- ▷ The factory setting for the door code is: **1 1 1 1**

### Settings menu access protection



#### Changing the settings code

This setting allows the setting code for settings menu access protection to be changed.

The setting is made in three stages:

- Entering the old settings code
- Entering the new settings code
- Confirming the new settings code

#### Note

- ▶ In the following example, the default factory-set settings code **1 1 1 1** is changed.
- ▶ The new settings code is: **2 3 4 5**



Fig. 110

- ▶ **The settings menu access protection must be active.** (see 6.2.8 Settings menu access protection )
- ▶ Swipe left or right until corresponding function is displayed.

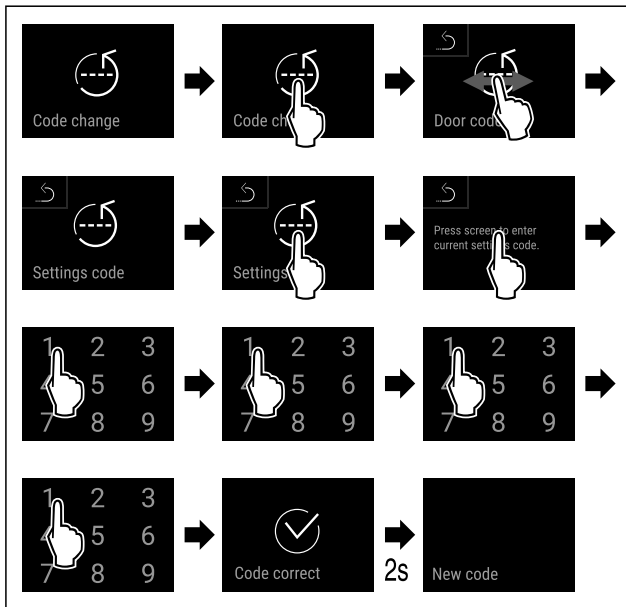


Fig. 111

- ▶ Carry out action steps according to the illustration.
- ▷ Entry of the old settings code successful.

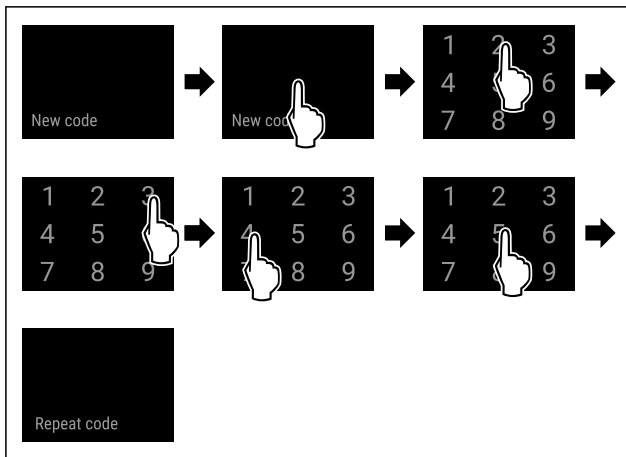


Fig. 112

- ▶ Carry out action steps according to the illustration.
- ▷ Entry of the new settings code successful.

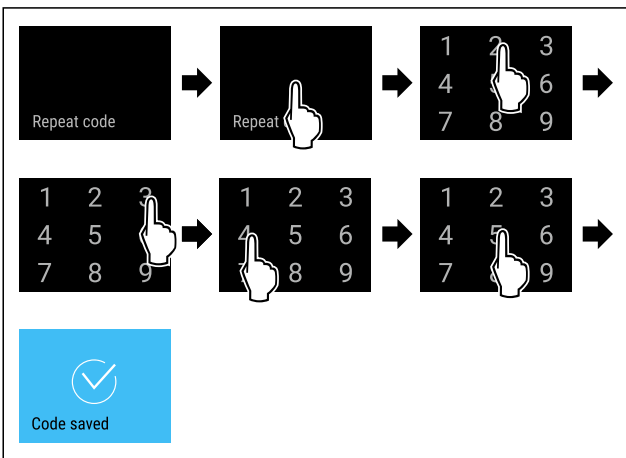


Fig. 113

- ▶ Carry out action steps according to the illustration.
- ▷ Confirmation of the new settings code successful.
- ▷ The settings code has been changed.

## Resetting the setting code

The setting code for the settings menu access protection has been forgotten or is not known.

- ▶ Reset appliance to factory settings (see 6.2.33 Resetting to factory settings ).
- ▷ The appliance is reset to the original settings.
- ▷ The factory-set setting code is: **1 1 1 1**



## SmartLock

### Changing SmartLock code

This setting makes it possible to change the SmartLock code.

The setting is made in three stages:

- Entry of the old SmartLock code
- Entry of the new SmartLock code
- Confirmation of the new SmartLock code

### Note

- ▶ In the following example, the default factory-set SmartLock code **1 1 1 1** is changed.
- ▶ The new SmartLock code is: **2 3 4 5**



Fig. 114

### SmartLock must be active. (see 6.2.7 SmartLock )

- ▶ Swipe left or right until corresponding function is displayed.

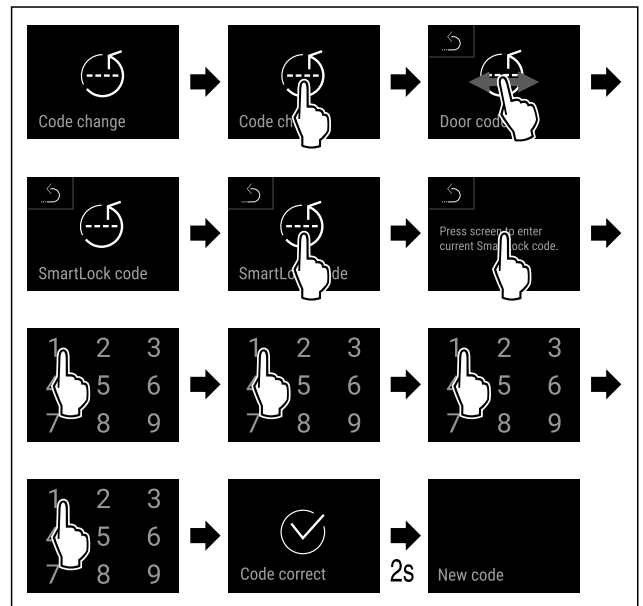


Fig. 115

- ▶ Carry out action steps according to the illustration.
- ▷ Entry of the old SmartLock code successful.

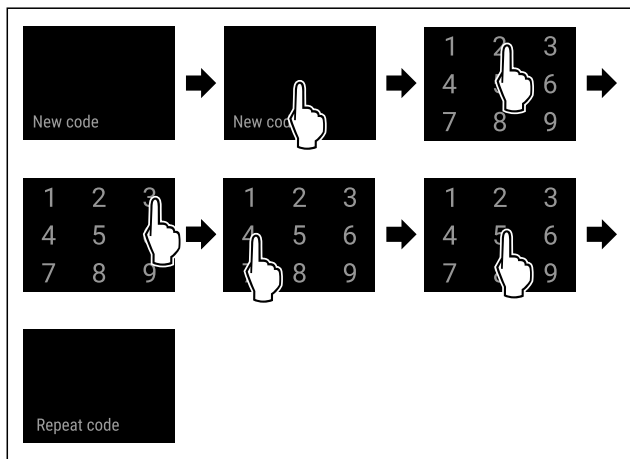


Fig. 116

- ▶ Carry out action steps according to the illustration.
- ▷ Entry of the new SmartLock code successful.

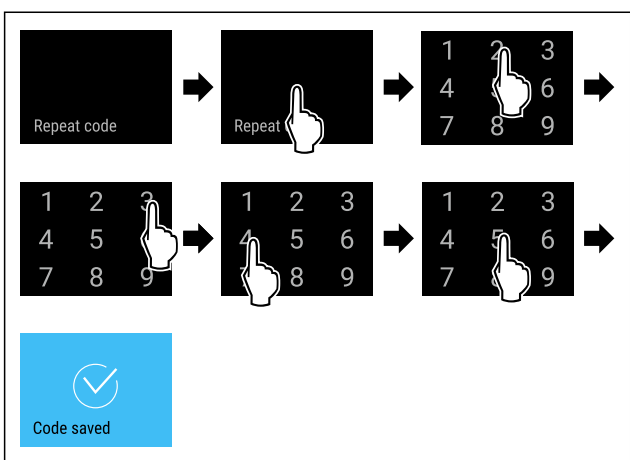


Fig. 117

- ▶ Carry out action steps according to the illustration.
- ▷ Confirmation of the new SmartLock code successful.
- ▷ The SmartLock code has been changed.

### Resetting SmartLock code

SmartLock code forgotten or not known.

- ▶ Reset appliance to factory settings. (see 6.2.33 Resetting to factory settings )
- ▷ The appliance is reset to the original settings.
- ▷ The factory setting for the SmartLock code is: **1 1 1 1**

### 6.2.10 Remote control



When supplied, a factory PIN code is stored on the remote control. This opens every appliance with factory settings unchanged (see 6.2.33 Resetting to factory settings ). This means multiple appliances can be opened and closed with just one remote control. Pairing generates an appliance-specific PIN code which can only open and close the appliance which is signed in. A factory reset restores the original functionality.

#### Note

The range of the remote control is approximately 15 m.

Application:

- Pairing remote control.
- Unpairing remote control.

### Pairing remote control



Fig. 118

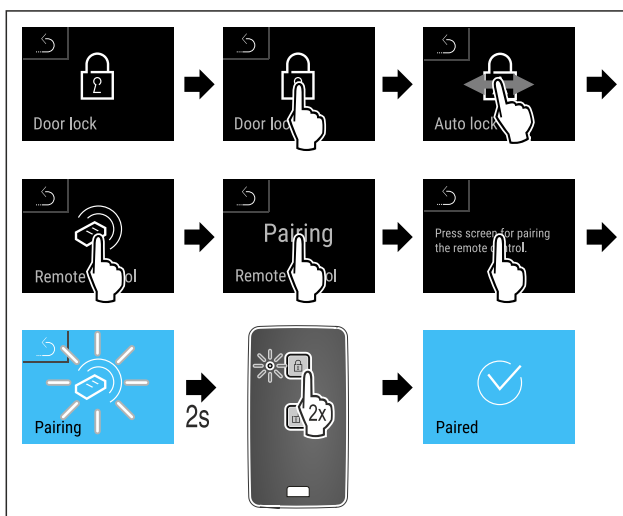


Fig. 119

- ▶ Carry out action steps according to the illustration.
- ▶ Press a button on the remote control twice.
- ▷ The status LED on the remote control flashes three times.
- ▷ The remote control is connected to the appliance.

### Unpairing remote control

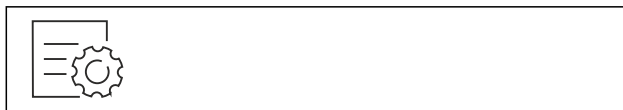


Fig. 120

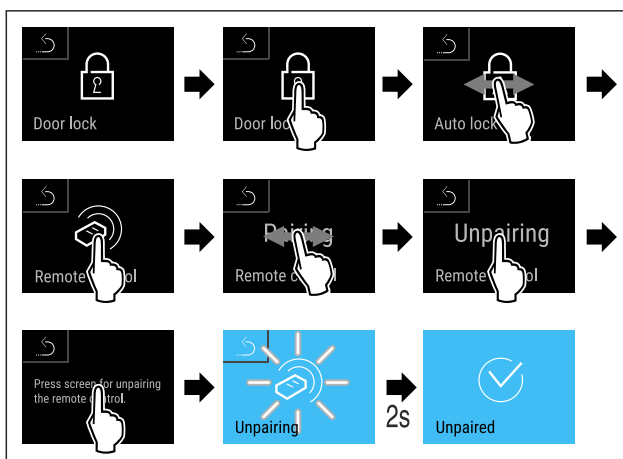


Fig. 121

- ▶ Carry out action steps according to the illustration.
- ▷ The remote control is disconnected from the appliance.

### 6.2.11 Maintenance interval reminder



Setting for the time interval after which a maintenance reminder is issued.

The following values can be set:

- 7 days
- 14 days
- 30 days

# Controls

- 60 days
- 90 days
- 180 days
- 360 days
- 720 days
- 1080 days
- Off

## Setting maintenance interval reminder

The following steps describe how the maintenance interval is set.



Fig. 122

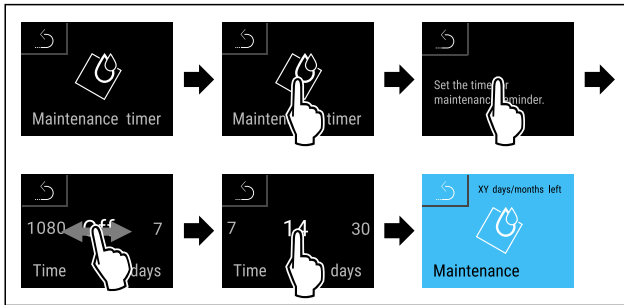


Fig. 123

- ▶ Carry out action steps according to the illustration.
- ▷ The time interval, after which the maintenance reminder is issued, is set.
- ▷ The remaining time is displayed.



## 6.2.12 Language

This setting allows the display language to be set.

### Setting language



Fig. 124

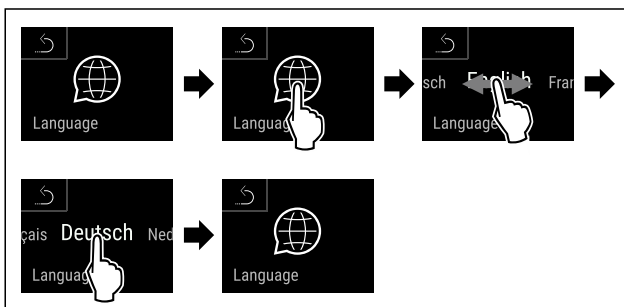


Fig. 125

- ▶ Carry out action steps according to the illustration.
- ▷ The selected language is set.



## 6.2.13 Date and time

This setting makes it possible to set the date and time.

## Setting date and time



Fig. 126

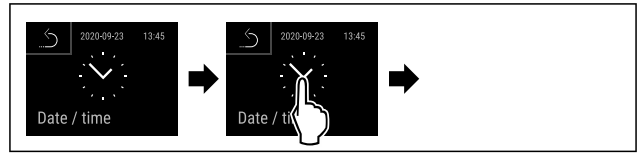


Fig. 127

- ▶ Carry out action steps according to the illustration.

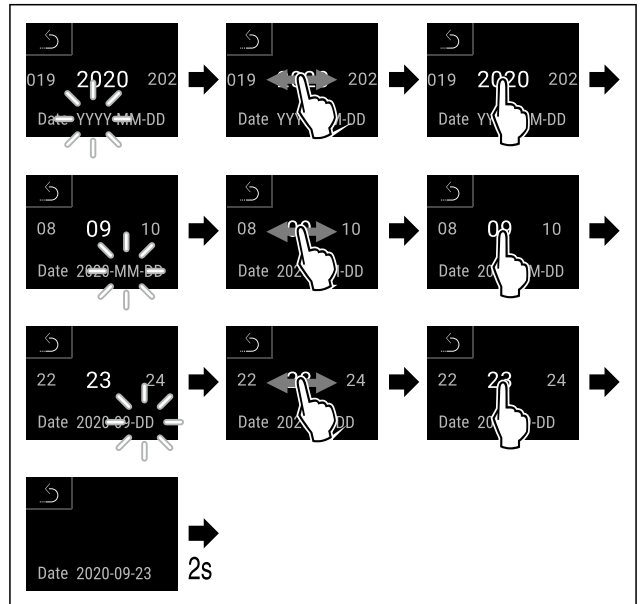


Fig. 128

- ▶ Carry out action steps according to the illustration.
- ▷ Date has been set.

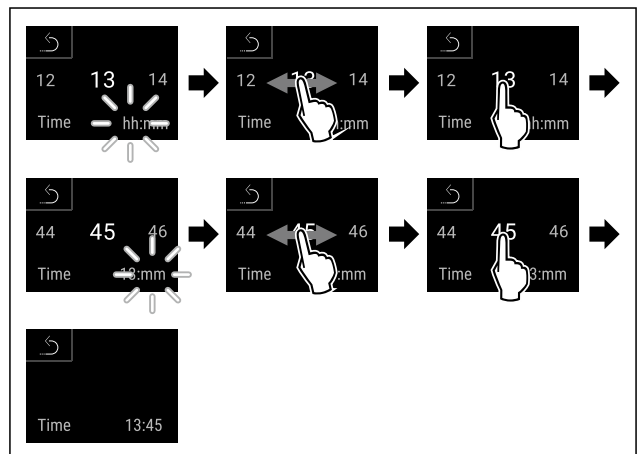


Fig. 129

- ▶ Carry out action steps according to the illustration.
- ▷ Time has been set.



## 6.2.14 Temperature unit

Use this function to set the temperature unit. You can set degrees Celsius or degrees Fahrenheit as the temperature unit.

## Setting the temperature unit



Fig. 130

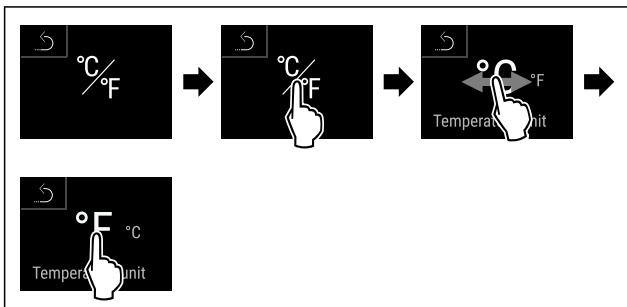


Fig. 131 Example illustration: Switch from degrees Celsius to degrees Fahrenheit.

- ▶ Carry out action steps according to the illustration.
- ▷ The temperature unit is set.

## 6.2.15 Display brightness



Use this function to set the display brightness in stages.

You can select the following brightness levels:

- 40 %
- 60 %
- 80 %
- 100 % (pre-setting)

### Setting the brightness



Fig. 132

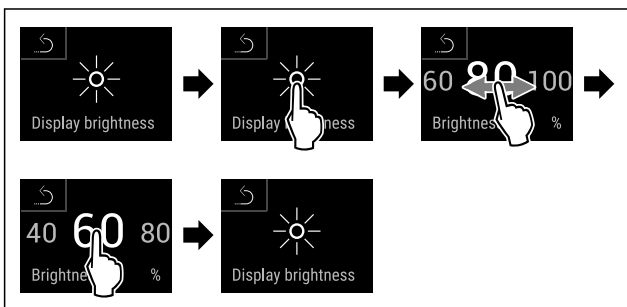


Fig. 133 Example illustration: Switch from 80 % to 60 %.

- ▶ Carry out action steps according to the illustration.
- ▷ The brightness is set.

## 6.2.16 Alarm Sound



This function enables all alarm sounds, such as door alarms, to be switched on and off.

### Activating Alarm Sound



Fig. 134

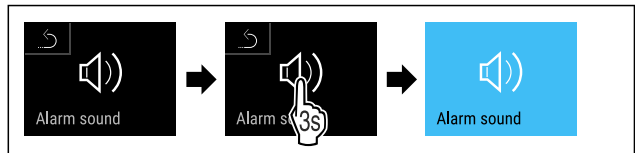


Fig. 135

- ▶ Carry out action steps according to the illustration.
- ▷ Alarm Sound is activated.

### Deactivating Alarm Sound



Fig. 136

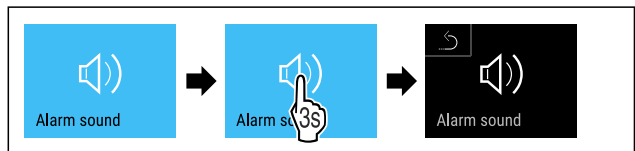


Fig. 137

- ▶ Carry out action steps according to the illustration.
- ▷ Alarm Sound is deactivated.

## 6.2.17 Key Sound



This function makes it possible to switch all button sounds, confirmation sounds, and the startup sound on and off.

### Activating Key Sound



Fig. 138

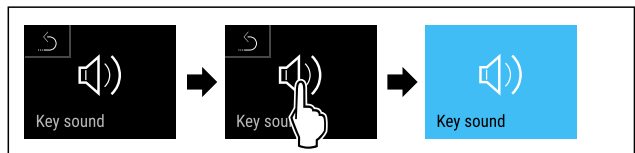


Fig. 139

- ▶ Carry out action steps according to the illustration.
- ▷ Key Sound is activated.

### Deactivating Key Sound



Fig. 140

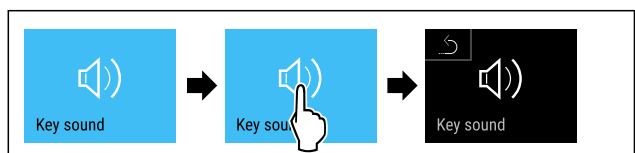


Fig. 141

- ▶ Carry out action steps according to the illustration.
- ▷ Key Sound is deactivated.

# Controls

## 6.2.18 WiFi connection



### Note

Liebherr SmartMonitoring Dashboard is not available in all countries. Check availability via the QR code by entering your model.

### Note

Use of the Liebherr SmartMonitoring Dashboard at <https://smartmonitoring.liebherr.com> requires installation of a SmartModule and a commercial MyLiebherr account. When commissioning online you can register using the login data you have, or register again and create a company account.

This setting establishes a wireless connection between the appliance and the internet. The connection is controlled via the SmartModule. The appliance can be integrated via the browser-based [Liebherr SmartMonitoring Dashboard](#) and advanced options as well as customised methods relating to control, administration and monitoring can be used.

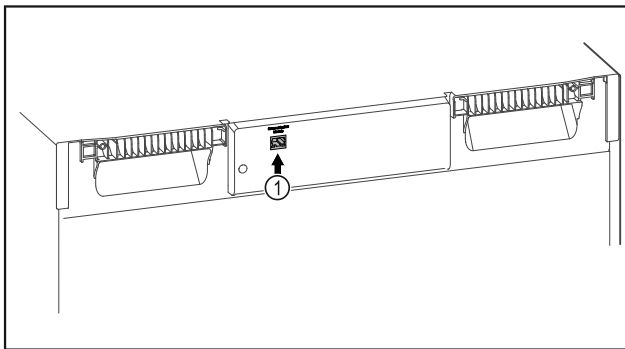


Fig. 142

Make sure that the following requirements are fulfilled:

- SmartModule Fig. 142 (1) is in use.

### Establishing connection

You commission and set up your SmartModule online via the [Liebherr SmartMonitoring Dashboard](#) on your web-enabled device.



Fig. 143

- ▶ Open [Liebherr SmartMonitoring Dashboard](#). (see Fig. 143)
- On the refrigerator or freezer:



Fig. 144

### Note

The settings menu access protection is activated. (see 6.2.8 Settings menu access protection )

- ▶ Enter the chosen PIN code. The settings menu opens.

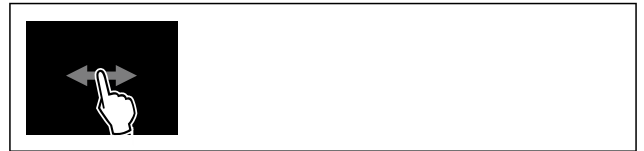


Fig. 145

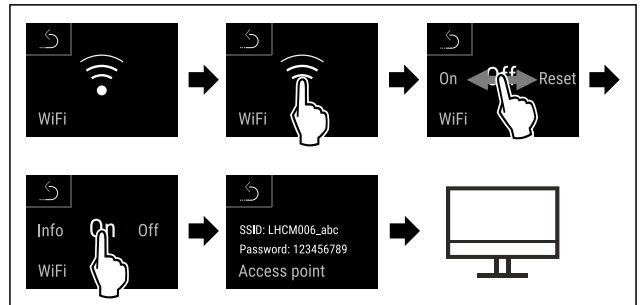


Fig. 146

- ▶ Carry out action steps according to the illustration.
- ▶ Continue the set-up procedure on your web-enabled device: [Liebherr SmartMonitoring Dashboard](#)

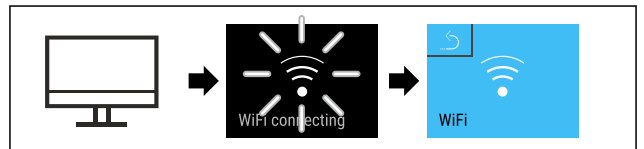


Fig. 147

- ▶ Carry out action steps according to the illustration.
- ▷ Connection is established: WiFi connecting appears. The symbol flashes.
- ▶ Follow the [Liebherr SmartMonitoring Dashboard](#) instructions.
- ▷ Connection is established.

### Disconnecting



Fig. 148

### Note

The settings menu access protection is activated. (see 6.2.8 Settings menu access protection )

- ▶ Enter the chosen PIN code. The settings menu opens.



Fig. 149

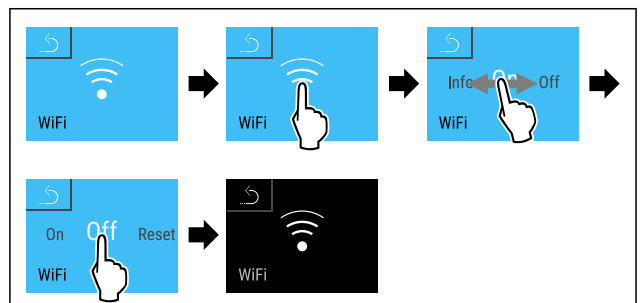


Fig. 150

- ▶ Carry out action steps according to the illustration.
- ▷ There is no connection.



## Resetting connection



Fig. 151

### Note

The settings menu access protection is activated. (see 6.2.8 Settings menu access protection )

- ▶ Enter the chosen PIN code. The settings menu opens.



Fig. 152

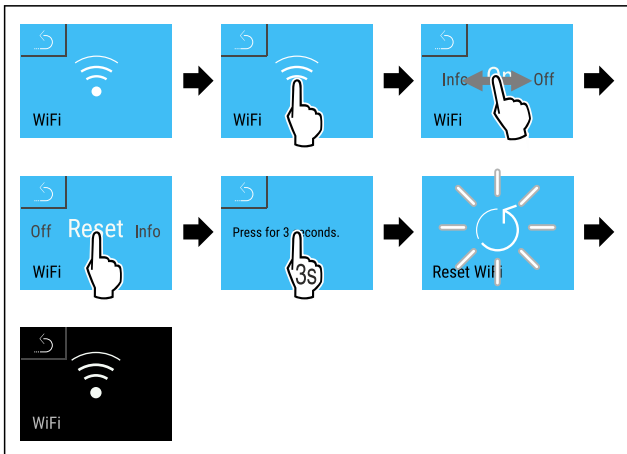


Fig. 153

- ▶ Carry out action steps according to the illustration.
- ▷ The WiFi settings are restored to the factory settings.

## 6.2.19 LAN connection



### Note

Liebherr SmartMonitoring Dashboard is not available in all countries. Check availability via the QR code by entering your model.

### Note

Use of the Liebherr SmartMonitoring Dashboard at <https://smartmonitoring.liebherr.com> requires installation of a SmartModule and a commercial MyLiebherr account. When commissioning online you can register using the login data you have, or register again and create a company account.

This setting establishes a wired connection between the appliance and the internet. The connection is controlled via the SmartModule. The appliance can be integrated via the browser-based [Liebherr SmartMonitoring Dashboard](#) and advanced options as well as customised methods relating to control, administration and monitoring can be used.

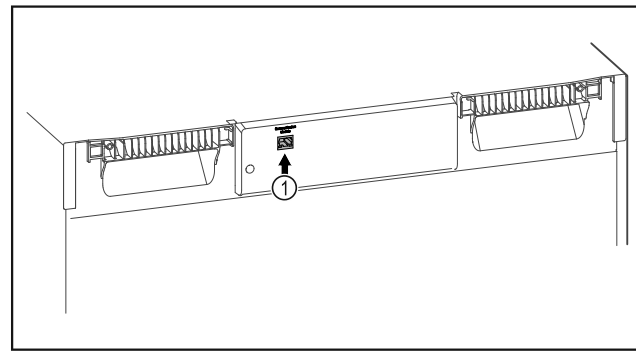


Fig. 154

Make sure that the following requirements are fulfilled:

- SmartModule Fig. 154 (1) is in use.
- A network cable is connected.

## Establishing connection

Your commission and set up your SmartModule online via the [Liebherr SmartMonitoring Dashboard](#) on your web-enabled device.

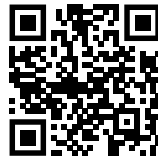


Fig. 155

- ▶ Open [Liebherr SmartMonitoring Dashboard](#). (see Fig. 155)
- On the refrigerator or freezer:

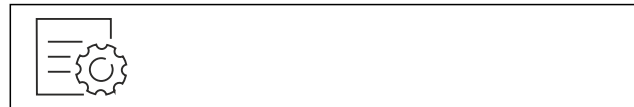


Fig. 156

### Note

The settings menu access protection is activated. (see 6.2.8 Settings menu access protection )

- ▶ Enter the chosen PIN code. The settings menu opens.

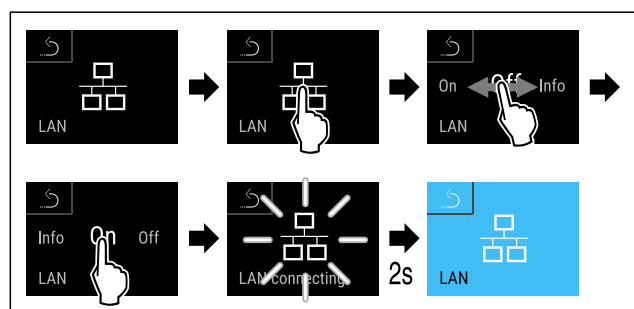


Fig. 157

- ▶ Carry out action steps according to the illustration.
- ▷ Connection is established: LAN connecting appears. The symbol flashes.
- ▶ Follow the [Liebherr SmartMonitoring Dashboard](#) instructions.
- ▷ Connection is established.

## Disconnecting



Fig. 158

# Controls

## Note

The settings menu access protection is activated. (see 6.2.8 Settings menu access protection )

- ▶ Enter the chosen PIN code. The settings menu opens.

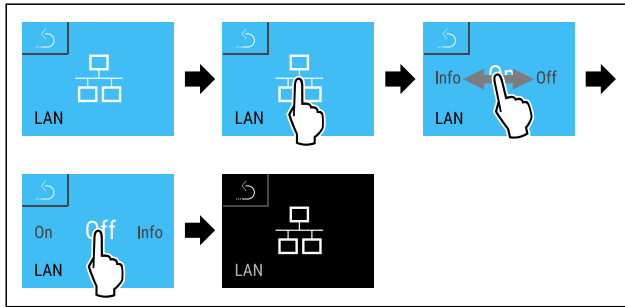


Fig. 159

- ▶ Carry out action steps according to the illustration.
- ▷ There is no connection.

## 6.2.20 Device information

Use this function to indicate the model name, index, serial number and service number of your device. You will need the device information when you contact customer service. (see 9.3 Customer Service)

This function also opens the Advanced menu. (see 3 Functionality of the Touch & Swipe display)

### Indicating the device information



Fig. 160



Fig. 161

- ▶ Carry out action steps according to the illustration.
- ▷ Display indicates device information.

## 6.2.21 Operating hours

The display shows the appliance operating hours.

### Displaying operating hours



Fig. 162



Fig. 163

- ▷ The operating hours appear.

## 6.2.22 Software



Use this function to indicate the software version of your device.

### Indicating the software version

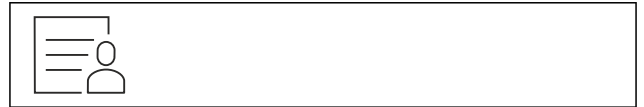


Fig. 164



Fig. 165

- ▶ Carry out action steps according to the illustration.
- ▷ Display indicates software version.

## 6.2.23 Defrosting



The appliance defrosts automatically in normal mode.

### Application:

- If there is excessive ice in the interior, the defrosting function can be started manually.

### Manually starting automatic defrosting



Fig. 166

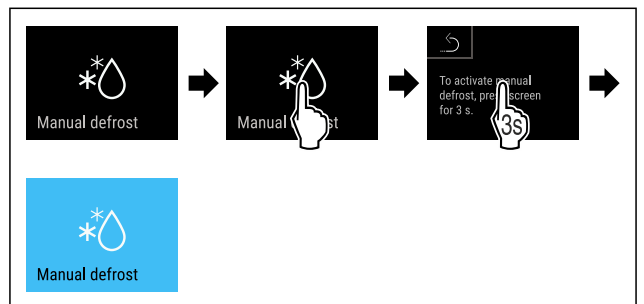


Fig. 167

- ▶ Carry out action steps according to the illustration.
- ▷ Automatic defrosting has been started. The appliance automatically switches back to normal mode once defrosting has finished.

## Note

If there is still ice in the interior after starting automatic defrosting several times, defrost the appliance manually. (see 8.2 Defrosting appliance)

### cancelling manually started defrosting



Fig. 168

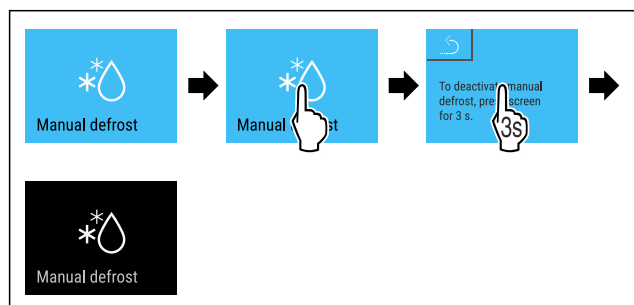


Fig. 169

- ▶ Carry out action steps according to the illustration.
- ▷ Manually started defrosting is cancelled. The appliance automatically switches back to normal mode.



### Defrosting info

This setting adjusts the display during an automatic defrosting process.

The following display variants are available:

- **Def 1:** The temperature display is not updated and shows the last temperature before the automatic defrosting process started.
- **Def 2:** “Automatic defrosting” icon is indicated on the status display. The temperature display is continuously updated and shows the actual temperature.
- **Def 3:** “Automatic defrosting” icon is indicated on the status display. The temperature display is not updated and shows the last temperature before the automatic defrosting process started.
- **Def 4:** “Automatic defrosting” icon is indicated on the status display. The temperature display is not updated and shows the last temperature before the automatic defrosting process started.



Fig. 170 “Automatic defrosting process” symbol

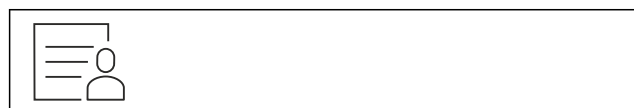


Fig. 171

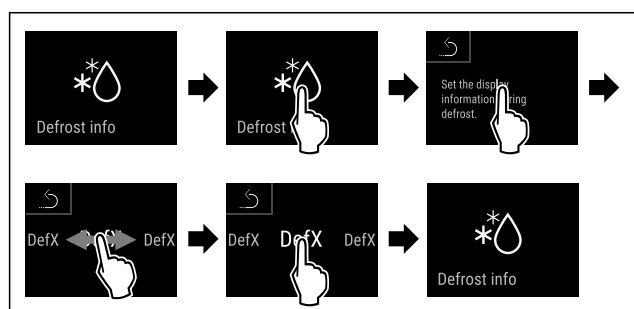


Fig. 172

- ▶ Carry out action steps according to the illustration.
- ▷ The desired display variant has been selected.

## 6.2.24 Data download / Datalogging



The appliance automatically records the entire temperature history of various sensors as well as alarm and service messages. The recording starts automatically after the appliance is switched on and records at one minute inter-

vals. The data for the past 5 years is stored and can be downloaded onto a USB stick at any time.

The following data sets can be selected for download:

- Temperatures
- Alarms
- Service messages
- All

The selected data sets are stored in unencrypted format as text files over the entire recording period; these files have the extension „.log“.

### Data download on USB stick

#### Note

Only USB memory sticks may be connected to the USB interface. USB hard drives are not detected.

#### Note

Do not remove the USB storage stick during the download procedure.

Make sure that the following requirements are fulfilled:

- USB 2.0 storage stick, FAT32 formatted.
- USB stick is connected.



Fig. 173

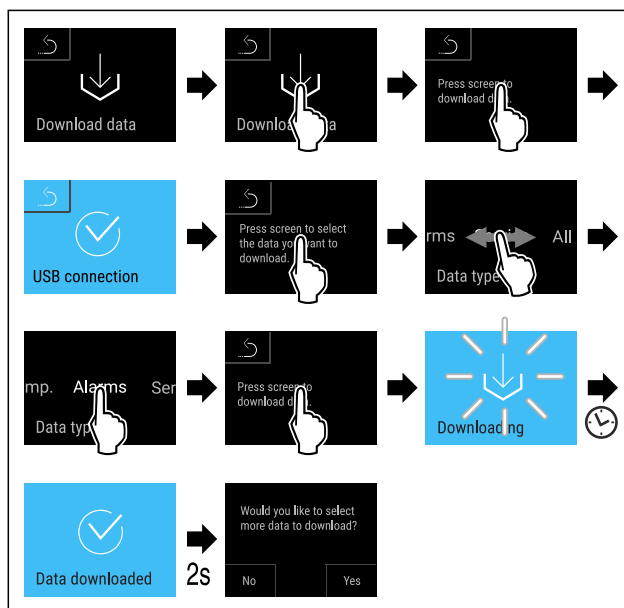


Fig. 174

- ▶ Carry out action steps according to the illustration.
- ▷ Successful data download on USB stick.
- ▷ It is possible to select and download further data sets.



## 6.2.25 Sensor calibration

The sensor calibration is used to realign differences between the displayed temperature and the actual temperature in the appliance.

Setting range for C sensor (control sensor): +/- 3 Kelvin in 0.1 Kelvin increments.

Setting range for P sensor (product sensor): +/- 9.9 Kelvin in 0.1 Kelvin increments

# Controls

## Calibrating sensor



Fig. 175

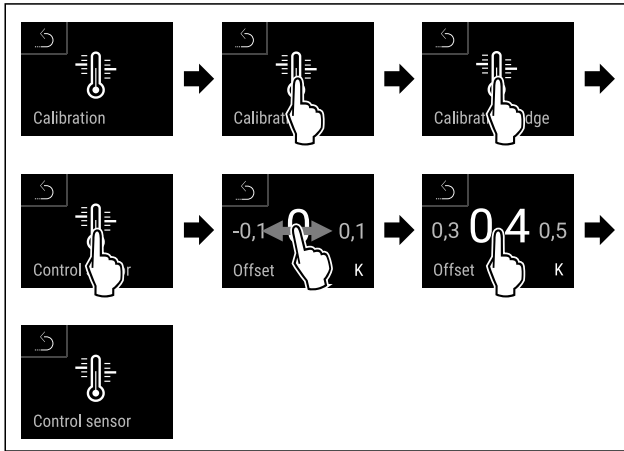


Fig. 176

- ▶ Carry out action steps according to the illustration.
- ▷ C sensor has been calibrated.

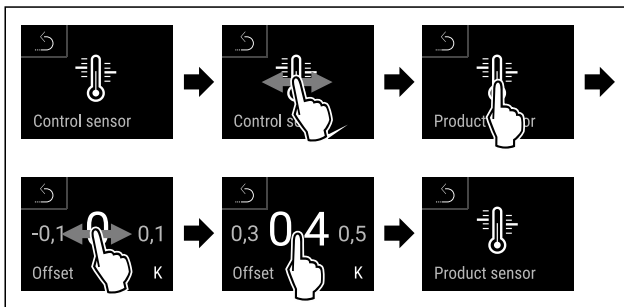


Fig. 177

- ▶ Carry out action steps according to the illustration.
- ▷ P sensor has been calibrated.
- ▷ Sensor calibration has been completed.

### Note

The calibrated temperature is indicated on the display within two hours.

## 6.2.26 Temperature alarm



The temperature alarm is triggered as soon as the interior temperature differs from the adjustable temperature range and any set delay time has elapsed.

The following values can be set:

- Lower temperature limit in 0.1 °C increments
- Upper temperature limit in 0.1 °C increments
- Alarm delay time from 0 to 60 minutes (setting "0" means no alarm repetition at the alarm relay.)
- Alarm repetition frequency of between 0 and 30 minutes

### Setting temperature alarm



Fig. 178



Fig. 179

- ▶ Carry out action steps according to the illustration.



Fig. 180

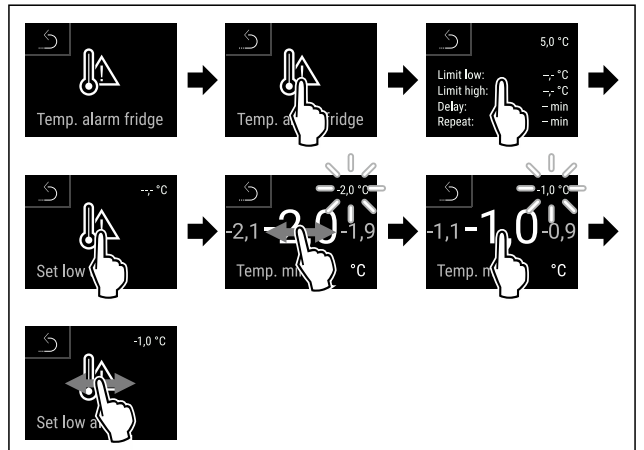


Fig. 181

- ▶ Carry out action steps according to the illustration.
- ▷ Lower temperature limit has been set.

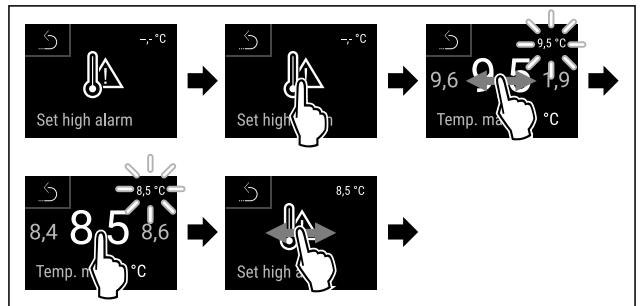


Fig. 182

- ▶ Carry out action steps according to the illustration.
- ▷ Upper temperature limit has been set.

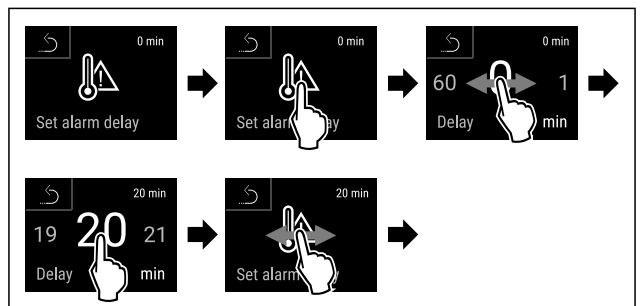


Fig. 183

- ▶ Carry out action steps according to the illustration.
- ▷ Alarm delay time has been set.

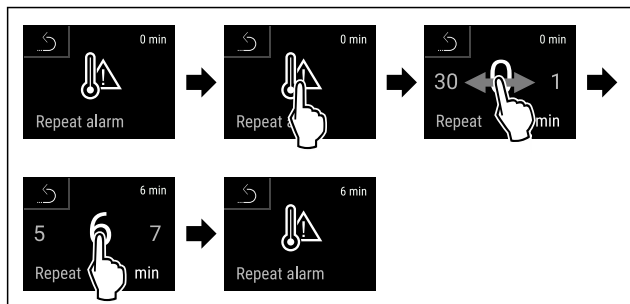


Fig. 184

- ▶ Carry out action steps according to the illustration.
- ▷ Alarm repetition interval has been set.
- ▷ Temperature alarm has been set.

### Displaying set temperature alarm values

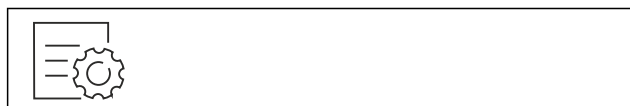


Fig. 185

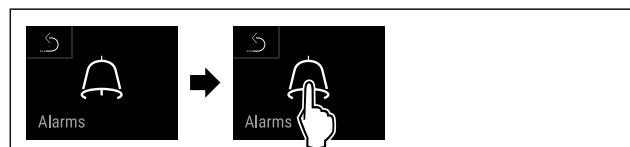


Fig. 186

- ▶ Carry out action steps according to the illustration.

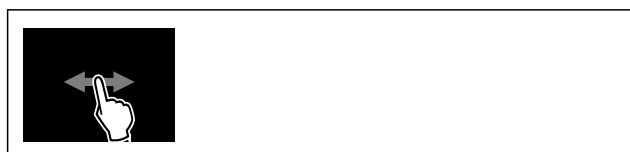


Fig. 187

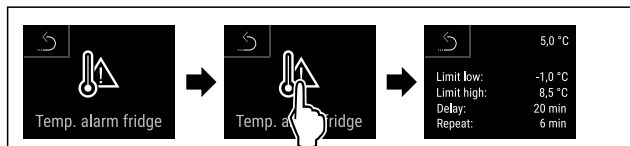


Fig. 188

- ▶ Carry out action steps according to the illustration.
- ▷ Set temperature alarm values are displayed.

## 6.2.27 Door alarm



Use this function to activate or deactivate the door alarm. The door alarm sounds if the door is open for too long. The door alarm is activated on delivery. You can set how long the door may be open before the door alarm sounds.

The following values can be set:

- 15 seconds
- 30 seconds
- 60 seconds
- 90 seconds
- 120 seconds
- 150 seconds
- 180 seconds
- Off

## Setting the door alarm



Fig. 189

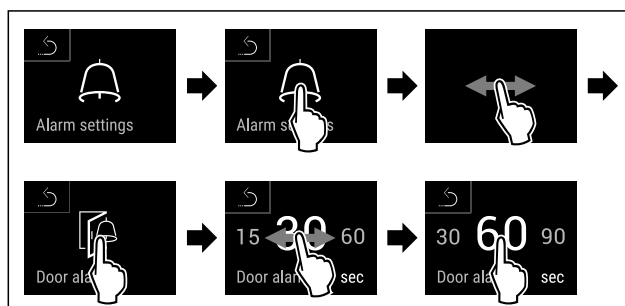


Fig. 191 Example illustration: Switch door alarm from 30 seconds to 60 seconds.

- ▶ Carry out action steps according to the illustration.
- ▷ The door alarm is set.

## Deactivating the door alarm



Fig. 192

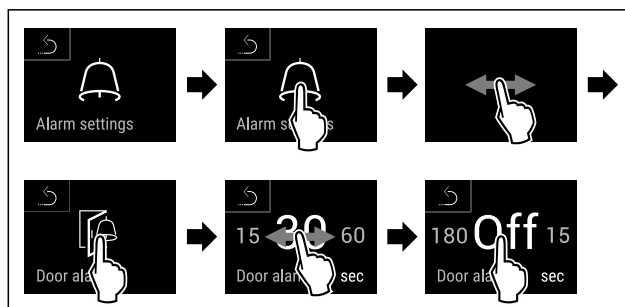


Fig. 193

- ▶ Carry out action steps according to the illustration.
- ▷ The door alarm is deactivated.

## 6.2.28 Light alarm



This setting allows the visual alarm messages in the display to also be emphasised by flashing appliance lighting.

### Activating light alarm



Fig. 194

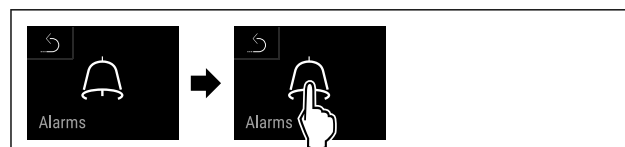


Fig. 195

- ▶ Carry out action steps according to the illustration.



Fig. 196

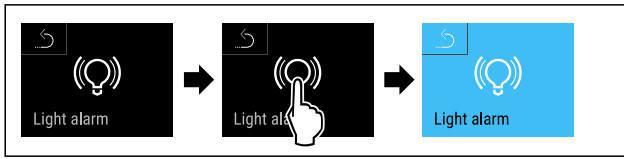


Fig. 197

- ▶ Carry out action steps according to the illustration.
- ▷ The light alarm is activated.

### Deactivating light alarm



Fig. 198



Fig. 199

- ▶ Carry out action steps according to the illustration.



Fig. 200



Fig. 201

- ▶ Carry out action steps according to the illustration.
- ▷ The light alarm is activated.

### 6.2.29 Alarm simulation



This setting makes it possible to simulate a change in the appliance temperature to check the function of any safety devices that may be connected.

#### Starting alarm simulation



Fig. 202



Fig. 203

- ▶ Carry out action steps according to the illustration.



Fig. 204

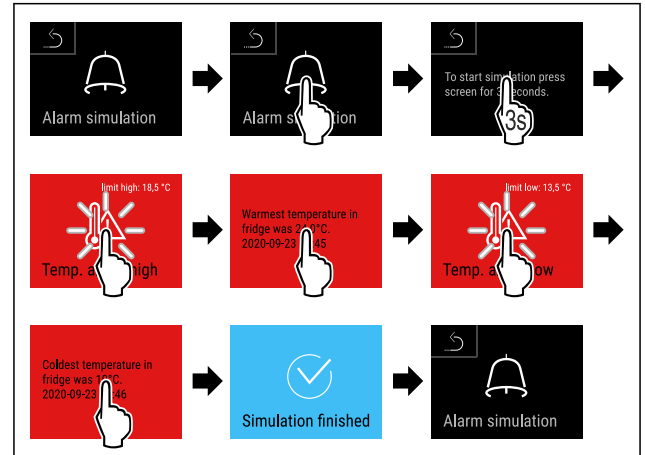


Fig. 205

- ▶ Carry out action steps according to the illustration.
- ▷ The simulation has been performed.
- ▷ Connected safety devices should have triggered.



### 6.2.30 Alarm log

This setting makes it possible to query and delete the last 10 alarms that have occurred on the device.

The following is displayed:

- Current date and time
- Active alarms (red).
- Past alarms, which have not yet been queried, are shown as **unconfirmed (red)**. Confirmation is given by swiping to the next error.
- Alarms, which have been queried, are shown as **confirmed**.
- Deletion of all alarms (including active and unconfirmed alarms).

#### Displaying alarm log and deleting an alarm



Fig. 206

-or-

- ▶ Via the display symbol at the bottom edge of the status display.

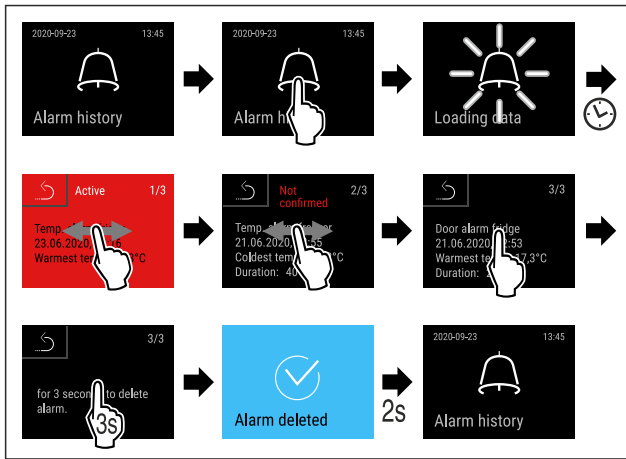


Fig. 207

- ▶ Carry out action steps according to the illustration.
- ▷ The querying and deletion of an alarm has been performed.

### Displaying alarm log and deleting all alarms



Fig. 208

- or-
- ▶ Via the display symbol at the bottom edge of the status display.

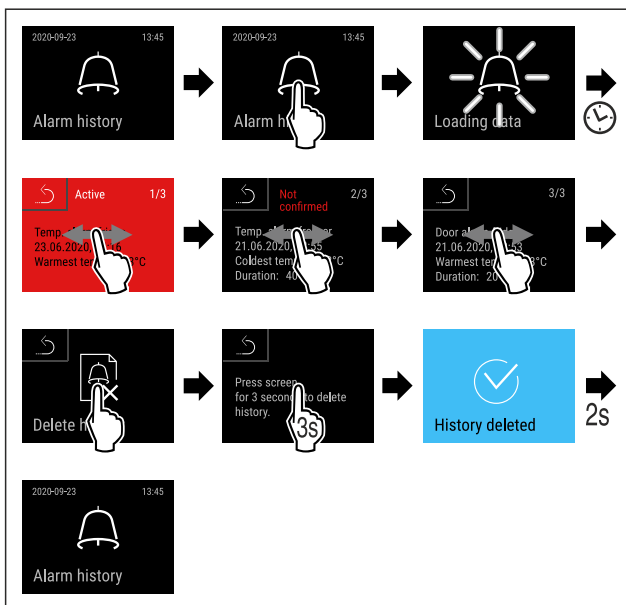
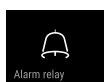


Fig. 209

- ▶ Carry out action steps according to the illustration.
- ▷ The querying and deletion of all alarms has been performed.

### 6.2.31 Alarm relay



This setting makes it possible to relay one or more alarms to an external alarm receiver connected to the appliance.

The following settings can be selected:

- Alarm type:
  - Door alarm

- Temperature alarm
  - Door alarm and temperature alarm
  - All
  - Confirm:
    - **Yes:** The alarm is terminated at the appliance and the externally connected receiver.
    - **No:** The alarm is acknowledged at the appliance and remains active at the receiver until the error is rectified.
  - Update (only visible if "Yes" is selected when confirming):
    - **Yes:** Alarm repeats.
- Temperature alarm** depending on the set time (see 6.2.26 Temperature alarm )  
(If the alarm delay time is set to "0", the alarm relay will not repeat the alarm.)
- Door alarm** after 1 or 4 minutes \* (see 6.2.27 Door alarm )
- **No:** Alarm is continuously acknowledged.

### Activating alarm relay



Fig. 210

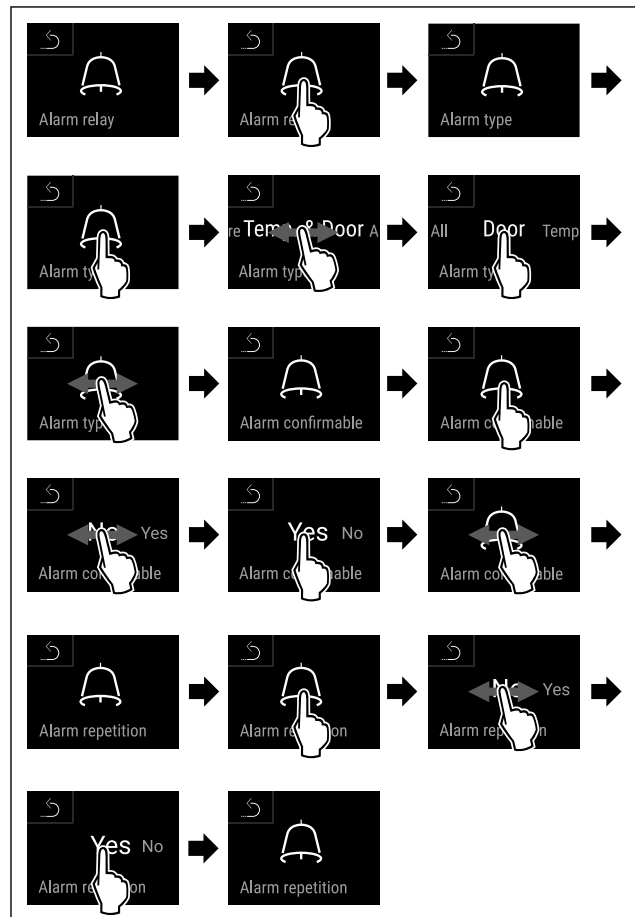
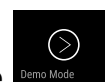


Fig. 211

- ▶ Carry out action steps according to the illustration.
- ▷ The alarm relay has been set.

### 6.2.32 Demo mode



Demo mode is a special feature for dealers who want to demonstrate appliance features. If you activate demo mode, all refrigeration functions are deactivated.

# Controls

If you switch on your appliance and a “D” appears on the status display, demo mode is already activated.

If you activate and then deactivate demo mode, the appliance will be reset to factory defaults. (see 6.2.33 Resetting to factory settings )

## Activating demo mode

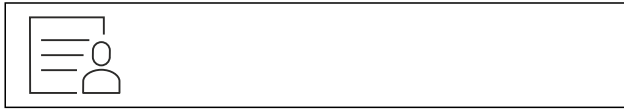


Fig. 212

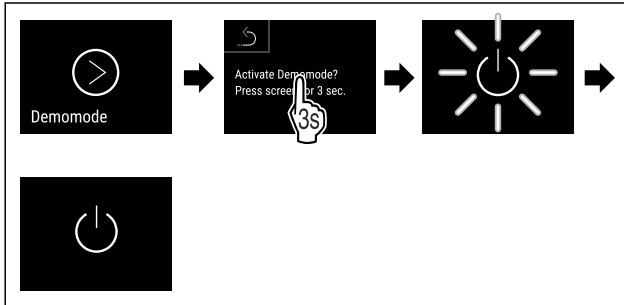


Fig. 213

- ▶ Carry out action steps according to the illustration.
- ▷ Demo mode is activated.
- ▷ Appliance is switched off.
- ▶ Switch on the appliance. (see 4.16 Switching on appliance (first use))
- ▷ “D” appears in the status display.

## Deactivating demo mode



Fig. 214

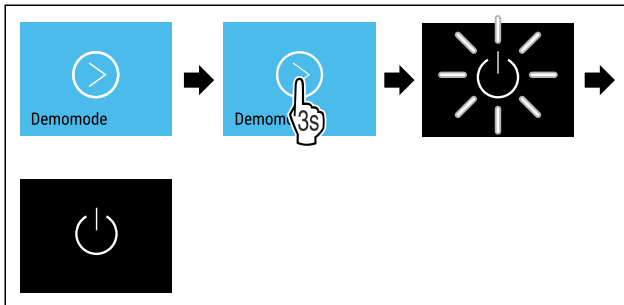


Fig. 215

- ▶ Carry out action steps according to the illustration.
- ▷ Demo mode is deactivated.
- ▷ Appliance is switched off.
- ▶ Switch on the appliance. (see 4.16 Switching on appliance (first use))
- ▷ Appliance is reset to factory settings.

## 6.2.33 Resetting to factory settings



Use this function to reset all settings to factory defaults. All settings you have made so far are reset to their original settings.

### Performing a reset



Fig. 216

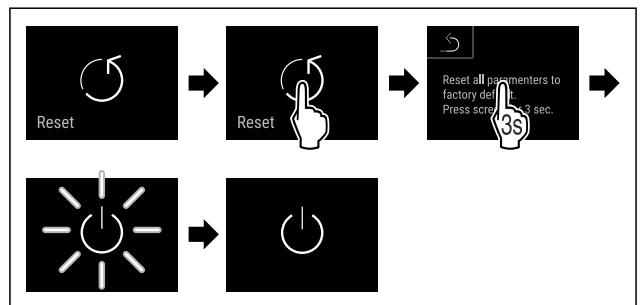


Fig. 217

- ▶ Carry out action steps according to the illustration.
- ▷ Device is reset.
- ▷ Device is switched off.

### Note

To reset to factory settings in battery mode: Restart is only possible with mains voltage.

- ▶ Restart the device. (see 4.16 Switching on appliance (first use))



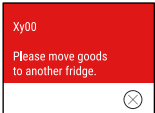
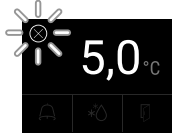
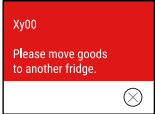


## 6.3 Message

### 6.3.1 Warnings

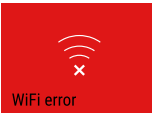

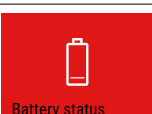
Warnings are issued by means of an acoustic signal and visually via a symbol on the display. The signal gets louder until the warning is acknowledged.

Message (red)	Cause	Remedy
<p><b>Door open</b></p>	<p>This message appears if the door is open for too long.</p>	<p>Close the door. Tap briefly. Alarm is stopped.</p> <p><b>Note</b> The time until the message appears can be set. (see 6.2.27 Door alarm )</p>




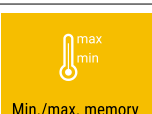
Message (red)	Cause	Remedy
 <p>Temperature alarm</p> <p><b>Temperature alarm</b></p>	<p>This message appears if the temperature does not match the set temperature. Reasons for differences in temperature can be:</p> <p>Warm produce for cooling has been placed inside.</p> <p>Too much warm air has got in while you were sorting out the freezer or removing items.</p> <p>The power was cut off for a prolonged period.</p>	<p>Tap briefly.</p> <p>Information about errors and appliance status are displayed.</p> <p>Tap briefly.</p> <p>Warmest/coldest temperature, date and time are displayed.</p> <p>Tap briefly.</p> <p>The status screen is displayed.</p> <p>The current temperature and the alarm symbol flash red until the set temperature is reached.</p> <p>Check the quality of the refrigerated goods.</p>
 <p>Device failure</p> <p><b>Error</b></p>	<p>The appliance is faulty, there is an appliance error or a component of the appliance has a fault.</p>	<p>Store the cooled produce elsewhere.</p> <p>Tap briefly.</p> <p>The error code (e.g. BT021) is displayed.</p> <p>Tap briefly.</p> <p>A further error code is displayed if there is one</p> <p><b>or</b></p> <p>Status screen is displayed with flashing error symbol.</p> <p>Swiping or tapping the display will show the error code(s) again.</p> <p>Make a note of error code(s) and contact Customer Service. (see 9.3 Customer Service)</p>  
	<p>The message indicates that freeze protection mode is active (e.g. due to frequent door openings or loading with goods).</p>	<p>Tap briefly.</p> <p><b>FRZ.PROT</b> is displayed.</p>  <p>Tap briefly.</p> <p>Status screen is displayed with flashing error symbol.</p>  <p>Swiping or tapping the display will show the message again.</p> <p>The appliance automatically switches to normal operating mode after a few hours and the message disappears. Alternatively, the mode and message can be cancelled with a long tap. If the message is displayed repeatedly and the causes listed do not apply, contact customer service. (see 9.3 Customer Service)</p>
 <p>Power failure</p> <p><b>Power cut</b></p>	<p>The message appears following an interruption to the electricity supply.</p> <p>The operating panel continues running in battery mode. All functions remain active except for refrigeration and lighting.</p>	<p>Tap briefly.</p> <p>Battery's state of charge, information about errors and appliance status are displayed</p> <p>Tap briefly.</p> <p>Highest temperature, time period and number of electricity supply interruptions are displayed.</p> <p>Tap briefly.</p> <p>The status screen is displayed.</p> <p>The current temperature and the alarm symbol flash red until the set temperature is reached.</p> <p>Check the quality of the refrigerated goods.</p>



# Controls

Message (red)	Cause	Remedy
 <p>Defrost error</p> <p><b>Defrost error</b></p>	The automatic defrosting is not working properly. The previous five defrost cycles were not successful.	Press briefly. Alarm is stopped. Contact Customer Service. (see 9.3 Customer Service)
 <p>WiFi error</p> <p><b>WiFi error</b></p>	Wi-Fi connection is interrupted.	Check connection. Press briefly. Alarm is stopped.
 <p>WWW error</p> <p><b>WWW error, WiFi</b></p>	This message appears if there is no internet connection via WiFi.	Check connection. Press briefly. Alarm is stopped.
 <p>LAN error</p> <p><b>LAN error</b></p>	LAN connection is interrupted.	Check connection and network cable. Press briefly. Alarm is stopped.
 <p>WWW error</p> <p><b>WWW error, LAN</b></p>	This message appears if there is no internet connection via LAN.	Check connection. Press briefly. Alarm is stopped.
 <p>Battery status</p> <p><b>Battery error</b></p>	Low appliance battery level (max. 20% remaining).	Reconnect the appliance to a power supply and check whether the battery charge level has increased after 12 hours. Otherwise contact Customer Service (see 9.3 Customer Service) or replace the battery. (see 8.4 Replacing appliance battery) Press briefly. Alarm is stopped.

## 6.3.2 Reminders

Reminders appear when you are being asked to do something. They are issued by means of an acoustic signal and visually via a symbol on the display. Acknowledge the message by pressing the confirmation button.

Message (yellow)	Cause	Remedy
 <p>Maintenance</p> <p><b>Maintenance reminder</b></p>	The message appears when the timer for the set maintenance interval has expired.	Press briefly. Reminder is closed. <b>Note</b> The maintenance interval can be set (see 6.2.11 Maintenance interval reminder).
 <p>Min./max. memory</p> <p><b>Recording reminder</b></p>	The message appears when the temperature recording memory (999 hours) is full.	Press briefly. Reminder is closed. The oldest data is overwritten. <b>Note</b> The temperature recording can be reset. (see 6.2.4 Temperature recording)

Message (yellow)	Cause	Remedy
 <p>Alarm history</p> <p><b>Alarm log</b></p>	The message appears if there are more than 10 unconfirmed alarm messages.	Press briefly. Check messages. Reminder is closed.
 <p>Manually opened</p> <p><b>Manually opened</b></p>	This message appears if a door which has been locked electronically is manually opened.	Close the door. Press briefly. Reminder is closed.

## 7 Features

### 7.1 Safety lock

The appliance is fitted with an electronic lock.

Possible functions:

- Locking and unlocking the door lock using the door code. (see 6.2.6 Door lock )
- Activating and deactivating automatic locking of the door. (see 6.2.6 Door lock )
- Operation via remote control. (see 6.2.10 Remote control )

#### 7.1.1 Emergency unlocking

In the event of a power failure, the door can be opened using the emergency unlocking key.

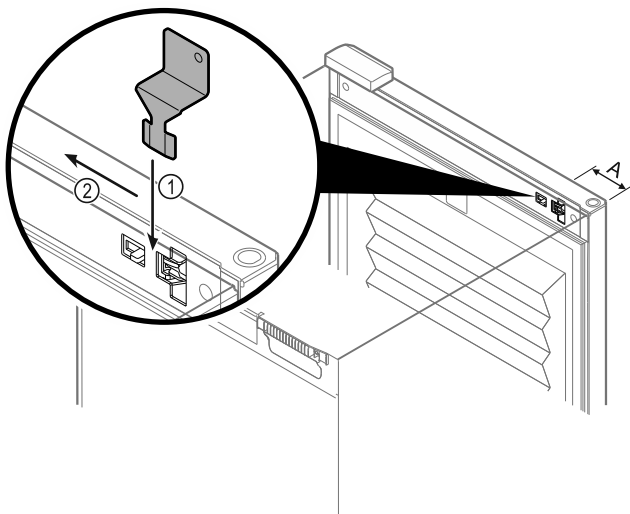


Fig. 218

- ▶ Position the emergency unlocking key in the location shown Fig. 218 (A) ≈ 100mm.
- ▶ Insert the emergency unlocking key from above between the door and the appliance body as far as it will go Fig. 218 (1).
- ▶ Drag the emergency unlocking key towards the hinge side Fig. 218 (2).
- ▷ The lock is unlocked. The door can be opened.

### 7.2 Remote control

The remote control allows the door lock to be engaged and unlocked remotely.

It must be linked to the appliance before use. (see 6.2.10 Remote control )

The battery can be replaced. (see 8.4 Replacing appliance battery)

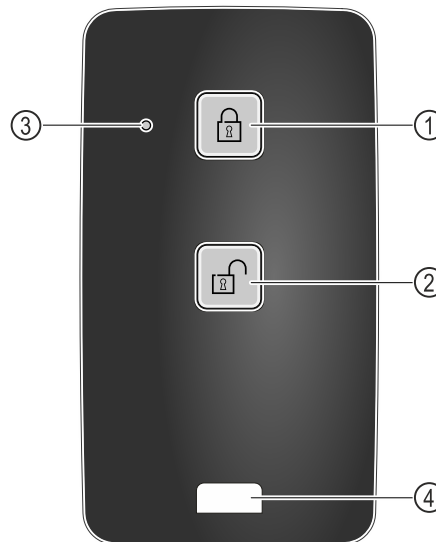


Fig. 219

- (1) Engage lock
- (2) Unlock lock
- (3) Status LED
- (4) Fastening eyelet

#### 7.2.1 Using remote control

- ▶ Press button Fig. 219 (1) on the remote control.
- ▷ The lock is engaged. The door cannot be opened.
- ▶ Press button Fig. 219 (2) on the remote control.
- ▷ The lock is unlocked. The door can be opened.
- ▶ Status LED Fig. 219 (3) provides a visual acknowledgement when you press the button.
- ▶ Eyelet Fig. 219 (4) for attaching remote control, for example, to a key ring.

### 7.3 Sensors

The appliance can be equipped with the following sensors for temperature monitoring:

- Safety thermostat sensor
- C sensor
- P sensor

#### 7.3.1 Safety thermostat sensor

The safety thermostat sensor monitors the temperature drop and thus protects against excessively low temperatures (Freeze Protect). If the temperature drops below the threshold value, the appliance regulates the temperature automatically. The error message FRZ. PROT (Freeze Protect) (see 6.3 Message) appears.

#### Note

Do not cover the safety thermostat sensor.

# Features

## 7.3.2 C sensor (control sensor)

The C sensor is permanently installed and regulates the interior temperature of the appliance. You can calibrate the C sensor if necessary. (see 6.2.25 Sensor calibration )

## 7.3.3 P sensor (reference sensor)

The P sensor is permanently installed in the interior, in order to record and monitor the temperature in this location specifically. If the set temperature is exceeded in this location, the sensor triggers an alarm. You can calibrate the P sensor if necessary. (see 6.2.25 Sensor calibration )



## 7.4 Sensor info

This function makes it possible to choose between C sensor or P sensor.

Make sure that the following requirement is met:

- P sensor is connected to the appliance. (see 7.5 Interfaces)

### 7.4.1 Selecting C sensor



Fig. 220

- ▶ Swipe left or right until corresponding function is displayed.

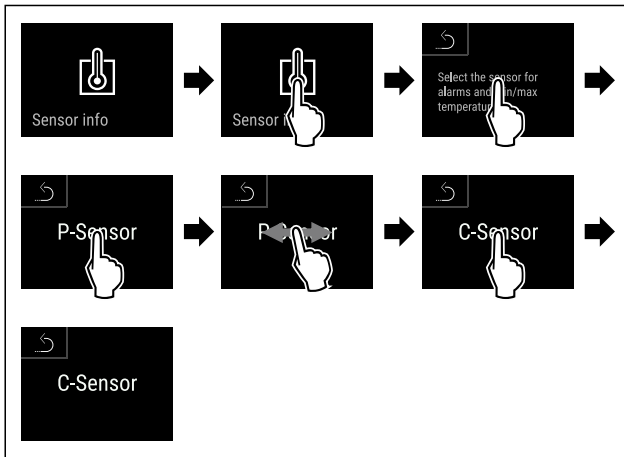


Fig. 221

- ▶ Carry out action steps according to the illustration.
- ▷ C sensor has been selected.

### 7.4.2 Selecting P sensor



Fig. 222

- ▶ Swipe left or right until corresponding function is displayed.

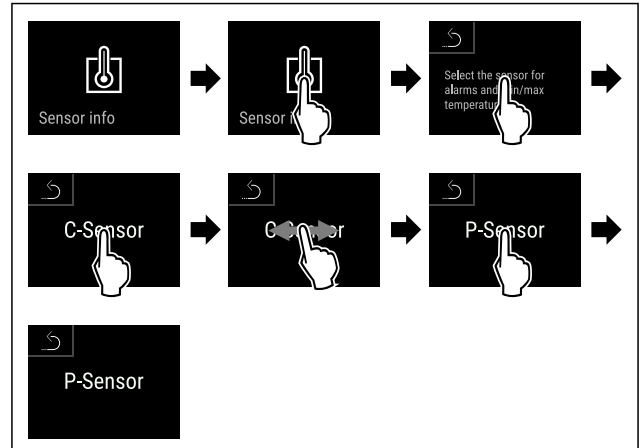


Fig. 223

- ▶ Carry out action steps according to the illustration.
- ▷ P sensor has been selected.

## 7.5 Interfaces

There are various connection options on the back of the appliance.

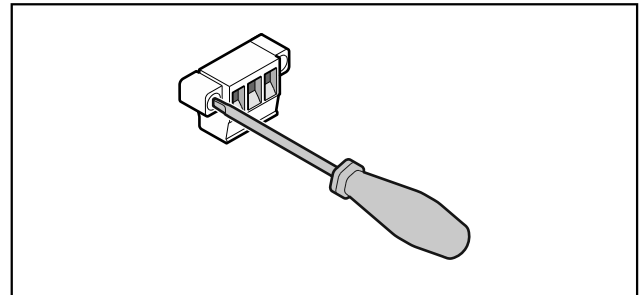


Fig. 224

### Note

Screws secure the plugs. To enable disconnection of the plugs, loosen the screws on the left and right.

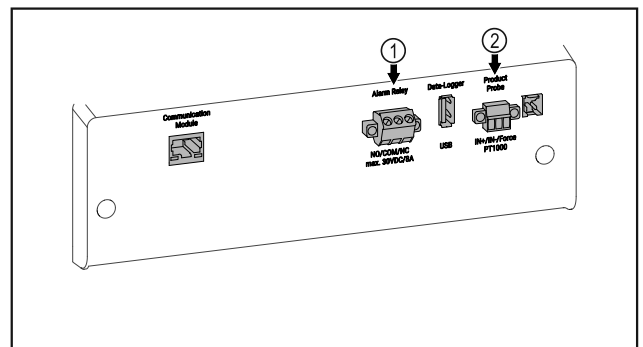


Fig. 225

(1) Potential-free alarm output

(2) Connection for P sensor output

### 7.5.1 Potential-free alarm output



#### WARNING

Risk of injury due to electric shock!

- ▶ The appliance may only be connected to an external alarm device by trained specialist personnel.

These three contacts can be used to connect a visual or an acoustic alarm device. The connection is designed for a maximum of **30 V (DC) - 8 A** from a safety low voltage source SELV (**minimum current 150 mA**).

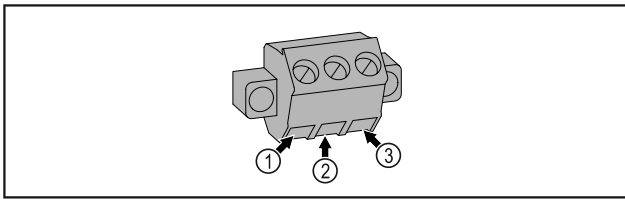


Fig. 226

- (1)** NO (normally open)  
Connection for indicator lamp, which is active in normal operation or when the appliance is switched off.
- (2)** COM (common)  
External voltage source
- (3)** NC (normally closed)  
Connection for alarm lamp or audible alarms, which is active when an alarm is triggered or there is a lack of power supply.

## 7.5.2 Connection for P sensor

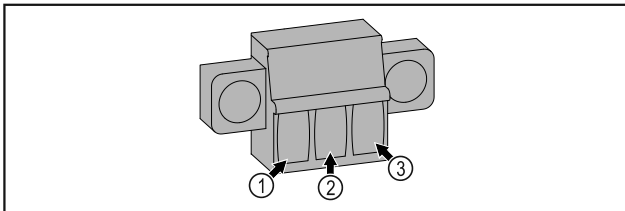


Fig. 227

- (1)** IN+ (measuring line +)
- (2)** IN- (common return line -)
- (3)** FORCE (supply +)

## 8 Maintenance

### 8.1 Maintenance schedule

Maintenance work is to be performed at regular intervals to ensure proper appliance function.



#### CAUTION

Danger of injury and damage due to unprofessional maintenance work!  
Personal injury and material damage.

- ▶ Maintenance work may only be performed by trained specialist personnel.



#### WARNING

Short-circuit hazard due to live parts!  
Electric shock or damage to the electronics.

- ▶ **Switch off the appliance.**
- ▶ Pull out mains plug or switch off fuse.

#### Note

A maintenance reminder function can be activated. (see 6.2.11 Maintenance interval reminder )

#### Note

We recommend creating a maintenance log in which all work (repairs, checks) performed is documented.

#### Note

Liebherr recommends yearly maintenance. For an individual offer, please contact Customer Service (see 9.3 Customer Service) .

Component	Activity	Maintenance interval
Sheet metal parts	Check for damage and corrosion. Replace damaged parts: (see 9.3 Customer Service)	Yearly
Door, hinges	Check alignment (see 4.14 Aligning the door) , ease of movement, and tight fit.	Yearly
Lock, door handle *	Check for ease of movement and tight fit.	Yearly
Door seal	Check for damage, wear, and tight fit. A replacement door seal is available via Customer Service (see 9.3 Customer Service) .	Yearly
Sensor	Calibrate sensor. (see 6.2.25 Sensor calibration )	Yearly
Sensor feedthrough	Check that the sealing compound is intact.	Yearly
Battery	Replace appliance battery. A replacement battery is available from customer service. (see 8.4 Replacing appliance battery)	5 to 10 years
Surfaces	Cleaning (see 8.3 Cleaning the appliance)	Recommendation: monthly or as required/specified at installation location
Surfaces	Disinfection	Recommendation: monthly or as required/specified at installation location

# Maintenance

Component	Activity	Maintenance interval
Installation location, appliance	Decontamination The appliance is suitable for room decontamination with hydrogen peroxide H <sub>2</sub> O <sub>2</sub> . In this context, the values of the following application specifications must not be exceeded: Concentration: maximum 250 ppm. Humidity: maximum 85%. Maximum permissible room temperature as per climate class. (see 1.4 Range of use of appliance)	Recommendation: as required/ specified at installation location, maximum 2x per year
Fan air slots	Cleaning (see 8.3.3 Cleaning fan cover)	Yearly
Alarm relay Sensor	Check plug connections for tight fit.	Yearly
Mains cable	Check for damage.	Yearly or if there is a change of location
Tilt angle	Check for proper function and tight fit.	Yearly or if there is a change of location
Adjusting feet/castors	Check for proper function, damage, and tight fit. Replace damaged parts. (see 9.3 Customer Service)	Yearly

## 8.2 Defrosting appliance



### WARNING

Improper defrosting of the appliance!  
Injuries and damage.

- ▶ Do not use mechanical equipment or other methods to speed up the defrosting process other than those recommended by the manufacturer.
- ▶ Do not use electrical heating or steam-cleaning appliances, naked flames or defroster sprays to defrost.
- ▶ Do not use sharp objects to remove ice.

Defrosting is performed automatically. The defrost water drains through the opening and evaporates.

To maintain the functionality of the appliance, we recommend defrosting it when there is a high buildup of ice. Icing in the interior is determined by the location (e.g. high humidity), settings on the appliance and incorrect user behaviour.

Manual defrosting:

- ▶ Switch off appliance. (see 6.2.2 Switching appliance on and off )
- ▶ Pull out mains plug.
- ▶ Store refrigerated items elsewhere.
- ▶ Leave appliance door open during defrosting process.
- ▶ Soak up remaining defrost water with a cloth, clean drain opening and the appliance.

## 8.3 Cleaning the appliance

### 8.3.1 Preparing



### WARNING

Short-circuit hazard due to live parts!  
Electric shock or damage to the electronics.

- ▶ **Switch off the appliance.**
- ▶ Pull out mains plug or switch off fuse.



### WARNING

Risk of fire

- ▶ Do not damage the refrigeration circuit.

- ▶ Empty the appliance.
- ▶ Pull out the mains plug.
- ▶ Observe the notes on transporting the appliance. (see 4.3 Transporting appliance)

### 8.3.2 Cleaning housing

#### NOTICE

Improper cleaning!

Damage to the appliance.

- ▶ Only use soft cleaning cloths and ph-neutral all-purpose cleaners.
- ▶ Do not use abrasive sponges or steel wool which may cause scratches.
- ▶ Do not use any sharp or abrasive cleaning agents, nor any that contain sand, chloride or acid.



### WARNING

Risk of injury and damage as a result of hot steam!

Hot steam can lead to burns and can damage the surfaces.

- ▶ Do not use any steam cleaners!

#### NOTICE

Risk of damage due to short circuit.

- ▶ When cleaning the appliance, make sure no water gets into the electrical components.
- ▶ Wipe the housing down with soft, clean cloth. If very dirty, use lukewarm water with a neutral cleaner. Glass surfaces can also be cleaned with glass cleaner.
- ▶ Clean condenser coil each year. If the condenser coil is not cleaned, this significantly reduces the efficiency of the appliance.

## 8.3.3 Cleaning fan cover

### NOTICE

Risk of damage due to short circuit.

- ▶ When cleaning the appliance, make sure no water gets into the electrical components.

### NOTICE

Improper cleaning!

Damage to the appliance.

- ▶ Only use soft cleaning cloths and ph-neutral all-purpose cleaners.
- ▶ Do not use abrasive sponges or steel wool which may cause scratches.
- ▶ Do not use any sharp or abrasive cleaning agents, nor any that contain sand, chloride or acid.

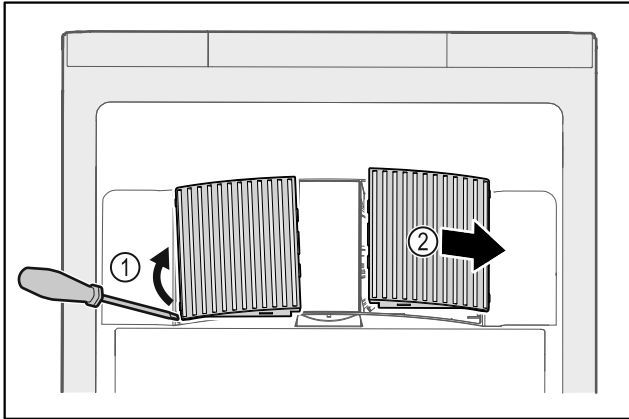


Fig. 228

- ▶ Carefully lever out fan covers from the side Fig. 228 (1) and remove towards the front Fig. 228 (2).
- ▶ Rinse the air slots of the fan covers under running water. If very dirty, use lukewarm water with a neutral cleaner.
- ▶ Leave fan covers to air-dry completely.
- ▶ Reattach fan covers to the appliance.

## 8.3.4 Cleaning interior



### WARNING

Short-circuit hazard due to live parts!

Electric shock or damage to the electronics.

- ▶ **Switch off the appliance.**
- ▶ Pull out mains plug or switch off fuse.



### WARNING

Risk of injury and damage as a result of hot steam!

Hot steam can lead to burns and can damage the surfaces.

- ▶ Do not use any steam cleaners!

### NOTICE

Improper cleaning!

Damage to the appliance.

- ▶ Only use soft cleaning cloths and ph-neutral all-purpose cleaners.
- ▶ Do not use abrasive sponges or steel wool which may cause scratches.
- ▶ Do not use any sharp or abrasive cleaning agents, nor any that contain sand, chloride or acid.

### Note

- ▶ Defrost water drain (see 1.2 Overview of appliance and equipment) : Remove deposits using a thin material (for example a cotton bud).

### Note

Do not damage or remove the type plate on the inside of the appliance. The type plate is important for Customer Service. (see 9.3 Customer Service)

- ▶ Open the door.
- ▶ Empty the appliance.
- ▶ Clean interior and equipment parts with lukewarm water and a little detergent. Do not use any gritty or acidic cleaning agent or any chemical solvent.

## 8.3.5 After cleaning

- ▶ Wipe appliance and equipment parts dry.
- ▶ Connect and switch on appliance. Once the temperature is sufficiently cold: put in items for refrigeration goods.
- ▶ Repeat cleaning regularly.
- ▶ Clean and dust refrigerators with a heat exchanger (metal grille on the rear of the appliance) once per year.

## 8.4 Replacing appliance battery

In the event of a power failure, the appliance battery is used to record temperature history, alarm and service messages and to show the alarm messages on the display for approximately 12 hours. During initial commissioning, the battery may take up to 24 hours to charge and be in proper working order.

A replacement battery is available from customer service (see 9.3 Customer Service).

### 8.4.1 Replacing battery



### WARNING

Short-circuit hazard due to live parts!

Electric shock or damage to the electronics.

- ▶ **Switch off the appliance.**
- ▶ Pull out mains plug or switch off fuse.

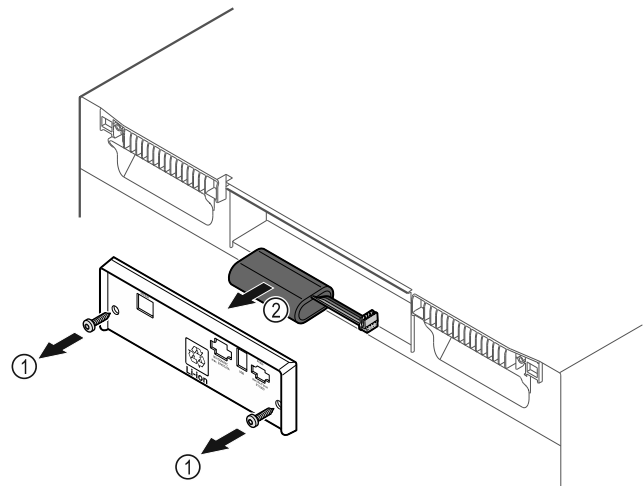


Fig. 229

- ▶ Unscrew screws and remove cover from the back of the appliance Fig. 229 (1).
- ▶ Disconnect and remove battery Fig. 229 (2).
- ▶ Install replacement battery.
- ▶ Close cover and screw in screws.
- ▶ Reconnect mains power cable.

# Customer help

## Note

► The battery must be sent for separate waste treatment for batteries and must be disposed of in an expert and proper manner in accordance with the regulations and laws which apply locally. **Do not damage or short circuit the battery!**

## 8.5 Replacing the remote control batteries

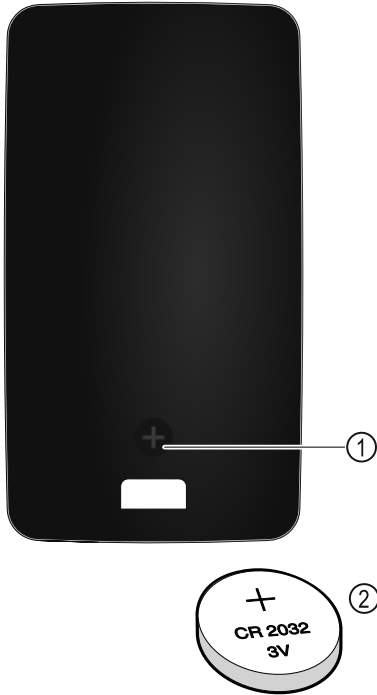


Fig. 230

The remote control is powered by a 3V CR 2032 battery Fig. 230 (2) available from specialist retailers.

### 8.5.1 Replacing battery

- Undo screw Fig. 230 (1) on the back of the remote control.
- Remove rear.
- ▷ Battery compartment is open.
- Replace battery.
- Close battery compartment.
- Screw back together.

## Note

► The battery must be sent for separate waste treatment for batteries and must be disposed of in an expert and proper manner in accordance with the regulations and laws which apply locally. **Do not damage or short circuit the battery!**

# 9 Customer help

## 9.1 Technical specifications

Temperature range	
Cooling	+5 °C

Maximum load per shelf <sup>A)</sup>		
Appliance width	600 mm	750 mm
Grid shelves	45 kg	60 kg

Maximum load per shelf <sup>A)</sup>		
Appliance width	600 mm	750 mm
Glass shelf	40 kg	40 kg
Wooden shelf	45 kg	60 kg
Drawer	50 kg	50 kg

A) Heavier loads may result in a slight bending of the shelves.

Maximum total load and net weight			
Model (see 4.2 Appliance dimensions)	Maximum load	total	Net weight
HMF.. 4001*	225 kg*		65 kg*
HMF.. 4011*	225 kg*		83 kg*
HMF.. 5501*	300 kg*		82 kg*
HMF.. 5511*	300 kg*		101 kg*

Maximum net capacity	
See net capacity on the type plate. (see 1.2 Overview of appliance and equipment)	

Lighting	
Energy efficiency class <sup>A)</sup>	Light source
This product contains one or more energy efficiency class F light sources	LED

A) The appliance may contain light sources with different energy efficiency classes. The lowest energy efficiency class is indicated.

WLAN frequency specification	
Frequency band	2.4 GHz
Maximum radiated power	<100 mW
Purpose of the wireless equipment	Integration in the local WiFi network for data communication

Set-up conditions	
Degrees of pollution (surrounding the appliance)	PD2
Ambient temperature	+10 °C to +35 °C
Maximum relative ambient moisture	75%, not condensing
Maximum operating elevation (metres above sea level)	2000 m 1500 m (glass door)

Electrical values	
Nominal voltage	220-240 V ~
Frequency	50/60 Hz
Connected load	2,0 A
Maximum mains fluctuation	+/-10%
Overvoltage categories	II



Data as per DIN 13277 measured at +5 °C				
Model HMFvh	Energy consumption (kWh/24h)	Temperature increase - power failure (min.)	Temperature homogeneity (°K)	Temperature consistency (°K)
4001	0.460	95	1.7	1.0
4011	0.741	65	2.7	1.7
5501	0.498	115	1.1	0.9
5511	0.794	65	1.6	1.0

Appliance battery	
Nominal voltage	3.6 V DC
Capacity	6.7 Ah

Appliance battery	
Type	1S2P/NCR 18650BF

## 9.2 Technical fault

Your appliance is designed and built to ensure it works reliably and has a long service life. In the unlikely event that a fault occurs during operation, please check whether the fault is due to an operating error. If this is the case, you will be charged for the cost incurred even if this falls within the warranty period.

You can fix the following faults yourself.

### 9.2.1 Appliance function

Defect	Cause	Remedy
<b>The appliance is not working.</b>	→ The appliance is not switched on.	▶ Switch on the appliance.
	→ The mains plug is not properly plugged into the socket.	▶ Check the mains plug.
	→ There is something wrong with the fuse in the socket.	▶ Check fuse.
	→ Power cut	▶ Keep the appliance closed. ▶ The door can be opened using the emergency release key. (see 7.1 Safety lock) ▶ If necessary move the refrigerated/frozen items to another fridge or freezer if the power is off for a prolonged period.
	→ The IEC socket is not plugged into the appliance correctly.	▶ Check the IEC socket.
<b>Temperature is not cold enough.</b>	→ The appliance door is not closed properly.	▶ Close appliance door.
	→ Ventilation is not sufficient.	▶ Clear ventilation grille and clean it.
	→ The ambient temperature is too high.	▶ Ensure the correct ambient conditions: (see 1.4 Range of use of appliance)
	→ The appliance was opened too many times or for too long.	▶ Wait to see if the appliance goes back to the required temperature by itself. If not, contact Customer Service. (see 9.3 Customer Service)
	→ The temperature is set incorrectly.	▶ Set a colder temperature and check after 24 hours.
	→ The appliance is too close to a heat source (oven, radiator, etc).	▶ Change where the appliance or the heat source are located.
<b>Remote control is not working.</b>	→ The remote control battery is empty.	▶ Replace battery.
	→ The radio connection with the appliance is too weak.	▶ Reduce the distance to the appliance.
	→ Remote control not paired.	▶ Pair remote control again: (see 6.2.10 Remote control )
	→ Remote control is faulty.	▶ Contact Customer Service. (see 9.3 Customer Service)

## 9.3 Customer Service

First check whether you can remedy the fault yourself . If this is not the case, please contact Customer Service.

You can find the address in the enclosed brochure "Liebherr-Service" or at [home.liebherr.com/service](http://home.liebherr.com/service).

### 9.3.1 Contacting Customer Service

Make sure you have the following appliance data at the ready:

- Appliance name (model and index)
- Service no. (Service)
- Serial no. (S no.)

▶ Access the appliance information via the display (see 6.2.20 Device information ).

# Shutting down

-or-

- ▶ Refer to the type plate for appliance information. (see 9.4 Type plate)
- ▶ Note down appliance information.
- ▶ Inform Customer Service: Report faults and the appliance information.
- ▷ This will help us to provide a fast and focussed service.
- ▶ Follow any further instructions provided by Customer Service.

## 9.4 Type plate

The type plate is inside the appliance. See appliance overview.

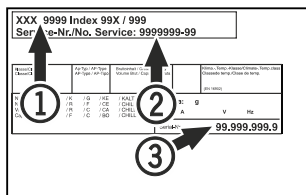


Fig. 231

- (1) Appliance designation      (3) Serial No.  
(2) Service No.

## 10 Shutting down

- ▶ Empty the appliance.
- ▶ Switch off the appliance.
- ▶ Pull the mains plug out of the socket.
- ▶ Remove the IEC socket if required: Pull the IEC socket out of the appliance plug and move it to the left and right at the same time.
- ▶ Clean appliance (see 8.3 Cleaning the appliance).
- ▶ If present: Remove the covers and insulation from the sensor feed-through to prevent mould forming.
- ▶ Leave the door open so that no bad odours form.

### Note

- Damage to the appliance and malfunctions!
- ▶ After shutting down, only store the appliance at the permitted room temperature of between -10 °C and +50 °C.

## 11 Disposal

### 11.1 Preparing appliance for disposal



Liebherr uses batteries in some of its appliances. In the EU, for environmental reasons, legislation obliges the end user to remove these batteries before disposing of old appliances. If your appliance contains batteries, a corresponding notice is attached.

**Lamps** If you can remove the lamps yourself without destroying them, also remove these before disposal.

- ▶ Take the appliance out of operation.
- ▶ Appliances with batteries: remove the batteries. For description, see **Maintenance** chapter.
- ▶ If possible: remove lamps without destroying them.

### 11.2 Disposing of the appliance in an environmentally friendly manner



The appliance still contains valuable materials and must be disposed of separately from unsorted municipal waste.



Dispose of batteries separately from the old appliance. To do this, you can return the batteries free of charge to retailers as well as recycling centres and collection centres for recyclable materials.

**Lamps**

Dispose of removed lamps via the respective collection systems.



### WARNING

Leaking coolant and oil!  
Fire. The coolant contained in the appliance is eco-friendly, but also flammable. The oil contained in the appliance is flammable. Escaping coolant and oil can ignite if the concentration is high enough and in contact with an external heat source.

- ▶ Do not damage the pipelines of the coolant circuit and the compressor.
- ▶ Observe the notes on transporting the appliance. (see 4.3 Transporting appliance)
- ▶ Transport the appliance without damaging it.
- ▶ Dispose of batteries, lamps and the appliance according to the above specifications.

## 12 Additional information

Further information on warranty conditions can be found in the enclosed service brochure or on the Internet at <https://home.liebherr.com>.

If appliance malfunctions, inform: \_\_\_\_\_

Model ID / Inventory number: \_\_\_\_\_

## Quick Start Guide for everyday use

### Information about using this Quick Start Guide:

- This Quick Start Guide is not a substitute for the full operating instructions nor is it a substitute for appliance training.
- This Quick Start Guide provides support for everyday use and handling the appliance.
- Read the full operating instructions and the safety notes contained therein.

This quick start guide is for: HMFVh 40../55..



Scanning the QR code will open the full operating instructions:



### Intended use

This medical refrigerator is suitable for professional storage of products at a temperature of 5 °C.

### Foreseeable incorrect use

Do not use the appliance for the following applications:

- Storage and refrigeration of:
  - Chemically unstable, flammable or corrosive substances
  - Blood, plasma or other body fluids for the purpose of infusion, application or introduction in the human body
- Use in potentially explosive atmospheres
- Use outdoors or in areas exposed to dampness and splashing water

### When stocking, observe the following points:

- Position grid shelves according to the height required.
- Observe maximum load.
- When the storage temperature has been reached, load the appliance (compliance with cold chain).
- Keep the ventilation slots of the recirculation fan free in the interior.
- Produce for cooling must not come into contact with the evaporator on the rear wall.
- Keep liquids in closed containers.
- Leave space when storing refrigerated goods to ensure good air circulation.

## Status display

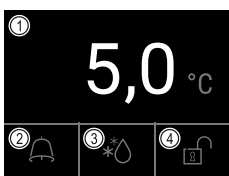


Fig. 232

- (1) Actual temperature
- (2) Alarm status
- (3) Defrosting status
- (4) Door lock status

## Displaying temperature recording

The temperature recording displays the length of the recording and the minimum and maximum temperatures measured during this period of time.

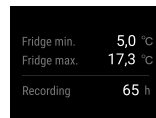


Fig. 233

## Resetting temperature recording

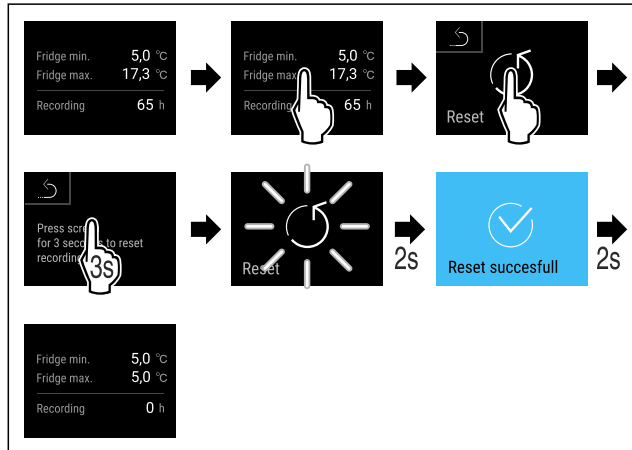


Fig. 234

## Unlocking door lock with door PIN

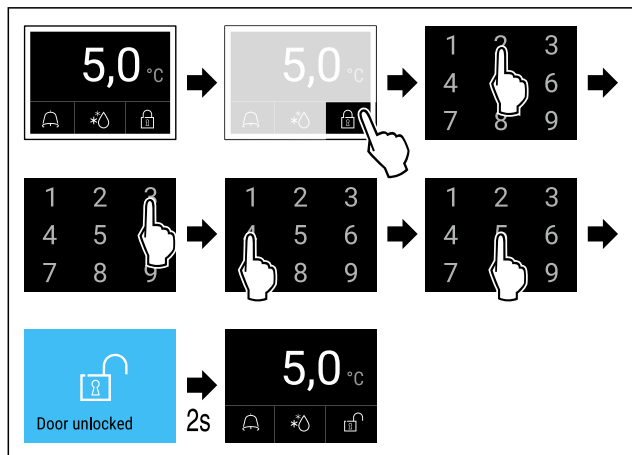


Fig. 235 Example shows PIN 2345

## Displaying alarm log

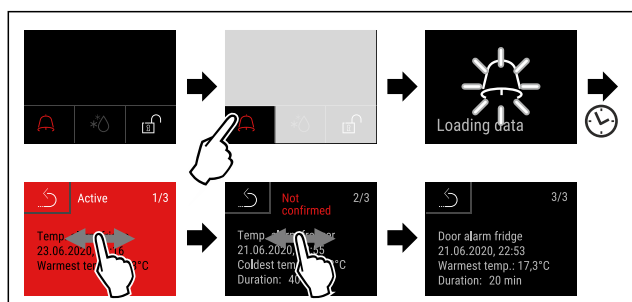


Fig. 238 Example shows an active alarm, an unconfirmed alarm, and a confirmed alarm.

- ▷ Alarm log shows active, confirmed or unconfirmed alarms (maximum 10 alarms).
- ▷ To delete the alarm log: See operating instructions.

## Cleaning appliance

- ▶ Empty the appliance.
- ▶ Pull out the mains plug.
- ▶ Observe the information in the operating instructions.
- ▶ Dry the appliance and equipment thoroughly after cleaning.
- ▶ Connect the appliance.
- ▶ Switch on the appliance.
- ▶ Load the appliance once the storage temperature is reached.



## What should I do if there is a fault?

A message appears in the display if there is a fault. Messages have different meanings:

Symbol colour in the display	Meaning	Remedy
<b>YELLOW</b>	<b>Reminder</b> Reminder of general procedures. You can carry out these procedures to eliminate the message.	Consult the operating instructions and perform the troubleshooting steps.
<b>RED</b>	<b>Warning</b> Appears when there are malfunctions. You can eliminate simple malfunctions yourself.	Consult the operating instructions and perform the troubleshooting steps.

If you cannot remedy the fault yourself, contact a competent member of staff or your nearest customer service outlet.

Cut out the page





[home.liebherr.com/fridge-manuals](https://home.liebherr.com/fridge-manuals)

**EN** ORIGINAL OPERATOR'S MANUAL

Issue date: 20240916

**Part number index: 7080722-00**

Liebherr Hausgeräte Lienz GmbH  
Dr.-Hans-Liebherr-Strasse 1  
A-9900 Lienz  
Österreich

