

# ERBh 9970

Integrated refrigerator with BioFresh

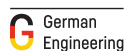


Fully Integrated

**LIEBHERR**

# ERBh 9970

Integrated refrigerator with BioFresh



↑  
**213**  
↓



Type	<b>Fixed door / Built-in appliance for integrated use</b>
Energy consumption (kWh/yr) / Star rating	<b>261 / 3.0</b>
Total volume	<b>543 l<sup>1</sup></b>
Volume	BioFresh compartment: <b>234.8 l</b>
Climate rating	<b>SN-T (+10 °C to +43 °C)</b>
Frequency / voltage	<b>50/60 Hz / 220-240 V~</b>
Connection Rating	<b>1.5 A 248.5 W</b>
Aperture dimensions in cm (h / w / d)	<b>213.4 / 91.4 / min. 63.5</b>
<b>Controls</b>	
Type of Control	3.5" LCD colour display, behind the door, touch- & swipe Digital temperature display for fridge and BioFresh compartments
Alarm in case of malfunction	visual and acoustic
<b>Fridge compartment</b>	
Forced air system	PowerCooling with FreshAir activated charcoal filter
Door interior	Comfort GlassLine storage shelves with bottle holder
Bottle shelf	Integrated bottle shelf
Interior light	InfinityLight LED BioFresh lighting
BioFresh-Safes	3 BioFresh safes with SoftTelescopic, 1 FlexSystem
<b>Features</b>	
Door hinges	Reversible door hinging, right
Replaceable door seal	yes
EAN-Nr.	9005382276679

<sup>1</sup> In accordance with Regulation EU 2019/2016 we indicate the total volume to the nearest integer (rounded off) and the volume of the frozen compartments and refrigeration compartments to one place after the decimal point.

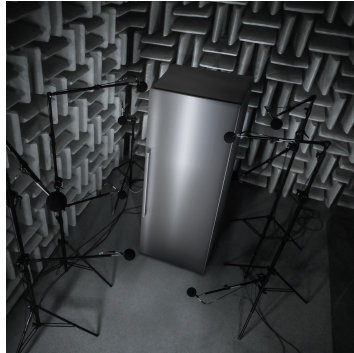
# Features

---



## German Engineering

Our superior products offer premium quality, cutting edge design, and innovative features that best fit your lifestyle. The use of high quality materials, perfectly detailed finishes, and elite cooling components are combined with the latest production processes, resulting in an outstanding cooling product.



## SuperQuiet

Noise levels are kept to a minimum thanks to virtually silent, speed-controlled, and sound absorbing compressors. Alongside a low noise cooling circuit, these features ensure exact performance, energy efficiency, and SuperQuiet operation.



## BioFresh-Plus

Liebherr's BioFresh technology guarantees the perfect climate for superior, long-lasting food freshness. In addition to two BioFresh drawers, the third Monolith refrigerator drawer can be set as BioFresh-Plus, lowering temperatures down to - 2 °C (28°F), ideal for storing fresh fish and seafood.



## InfinitySwipe

For a touch more comfort, the user-friendly InfinitySwipe electronic touch control with a bright and clear 3.5-inch display can be operated intuitively and effortlessly via touch & swipe.



## InfinityLight

Monolith's seamlessly integrated LED side-wall lighting casts a beautiful and even glow that can be adjusted according to taste, including a soft brightening effect upon opening the doors, and a pleasing night dimming feature. InfinityLight doesn't just add drama and flair, it also emits less heat, preserving food quality.

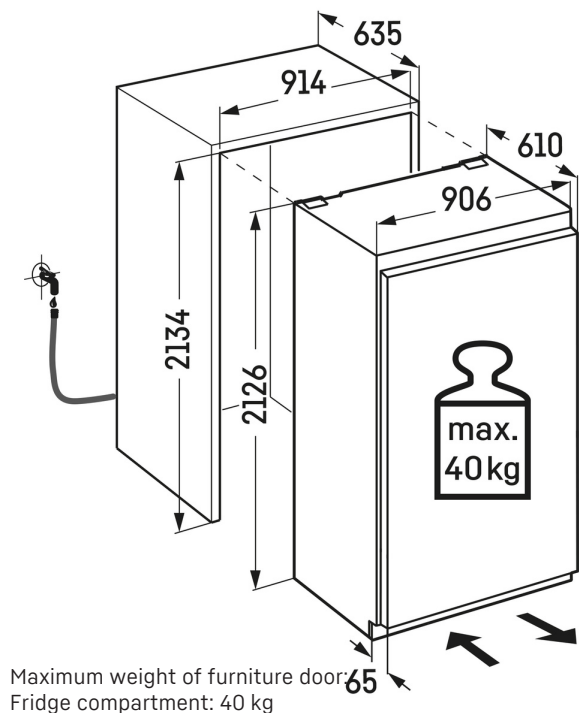


## SuperCool

Simply quick chill just-bought groceries to preserve optimum food freshness, while sealing in flavors and maintaining essential vitamins and minerals.

# Technical drawing

---



Products and their details are staged for advertising purposes. Whilst every effort is made to ensure all specifications and information in this flyer are accurate, Liebherr reserves the right to make changes without notification. Where actual appliance measurements, specifications, and ratings are crucial, we recommend that the actual appliance installation instructions that accompany each appliance be checked. Liebherr will not be liable for any damage. (21.10.2024)

