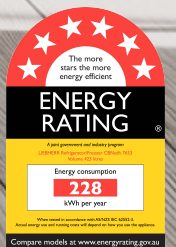


CBNsdh 7653

Fridge-freezer with BioFresh and NoFrost
○ Prime

LIEBHERR

Freestanding



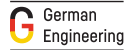
Freestanding

LIEBHERR

CBNsdh 7653

Fridge-freezer with BioFresh and NoFrost

◊ Prime



← 75 →



| | |
|---|--|
| Energy consumption (kWh/yr) / Star rating | 228 / 6.0 |
| Total volume | 423 l ² |
| Volume | BioFresh compartment: 68.7 l / Freezer compartment: 138 l |
| Noise output | 33 dB(A) |
| Climate rating | SN-T (+10 °C to +43 °C) |
| Door / Side walls | SmartSteel / silver |
| Exterior dimensions in cm (h / w / d) | 185.5 / 74.7 / 67.5 ¹ |
| Controls | |
| Type of Control | 2.4" TFT-colour display behind-the-door, touch- & swipe Digital temperature display for fridge, BioFresh and freezer compartments |
| SmartDevice compatible | Optional extra SmartDeviceBox required |
| Door alarm | visual and acoustic |
| Alarm in case of malfunction | visual and acoustic |
| Fridge compartment | |
| Forced air system | PowerCooling with FreshAir activated charcoal filter |
| Door interior | Premium GlassLine storage shelves with bottle holder, removable VarioBoxes, adjustable egg tray |
| VarioSafe | yes |
| Bottle shelf | Integrated bottle shelf |
| Interior light | LED light panel, both sides LED BioFresh lighting |
| BioFresh-Safes | 1 BioFresh safe with SoftTelescopic, 1 Fruit & Vegetable safe |
| Freezer compartment | |
| Interior light | LED lighting |
| Number of drawers | 3 drawers, VarioSpace |
| Freezing capacity in 24 hours | 10 kg |
| Temperature rise time | 20 h |
| Features | |
| Door hinges | Reversible door hinging, right |
| Replaceable door seal | yes |
| EAN-Nr. | 4016803057437 |

¹ To achieve the indicated energy consumption level, the wall spacers provided with the appliance must be used. These increase the appliance depth by approximately 1.5 cm. If the wall spacers are not used, the appliance will remain fully functional, but will have a slightly higher energy consumption level.

² In accordance with Regulation EU 2019/2016 we indicate the total volume to the nearest integer (rounded off) and the volume of the frozen compartments and refrigeration compartments to one place after the decimal point.

Features



BioFresh - Fruit & Vege safe

Crunchy salad and strawberries: the most delicate foods deserve a special place so they stay fresh longer – in BioFresh safes. In the Fruit & Vegetable safe the temperature is close to 0 °C. Combined here with the constant humidity, thanks to the air-tight closure, unpackaged fruit and vegetables feel particularly at home. You do not have to adjust anything.



NoFrost

When you open your freezer, you want to see frozen food – and certainly not ice and frost. NoFrost protects the freezer compartment from unwanted icing, which consumes a lot of energy and can be expensive. NoFrost means no more tedious and time-consuming defrosting of the freezer compartment, more time for other things – and saving money.



DuoCooling

DuoCooling uses two completely separate refrigeration circuits to ensure no air is exchanged between the fridge and freezer compartments. The food neither dries out nor is odour transferred. This means throwing less away, shopping less often, but saving more and greater enjoyment.



EasyTwist Ice

Whether it's a summer day or a party: Thanks to EasyTwist Ice, you can prepare a supply of ice cubes quickly and easily – without the need for a fixed water connection. Simply fill the tank with water, let it freeze and then release the finished ice cubes with a simple twist – and you're ready to serve cool drinks. The EasyTwist Ice is easy to clean and ensures hygienic ice cube production at all times.



SmartSteel

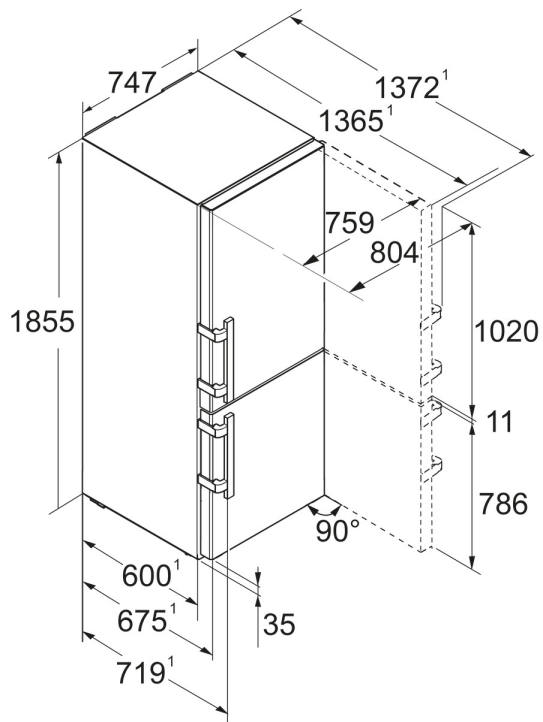
SmartSteel is a special coating which reduces the visibility of fingerprints and smudges, whilst also making the surface insensitive to scratches. The horizontal polish brings out the stainless steel and gives it a silky sheen and a pleasant feel.



VarioTemp

Experience plenty of scope when storing food: Thanks to VarioTemp, you can set the freezer compartment between -15 °C to -26 °C or convert to fridge or cellar compartment when additional cooling space required with an adjustable temperature from -2 °C to +14 °C.

Technical drawing



Products and their details are staged for advertising purposes. Whilst every effort is made to ensure all specifications and information in this flyer are accurate, Liebherr reserves the right to make changes without notification. Where actual appliance measurements, specifications, and ratings are crucial, we recommend that the actual appliance installation instructions that accompany each appliance be checked. Liebherr will not be liable for any damage. (29.04.2024)

