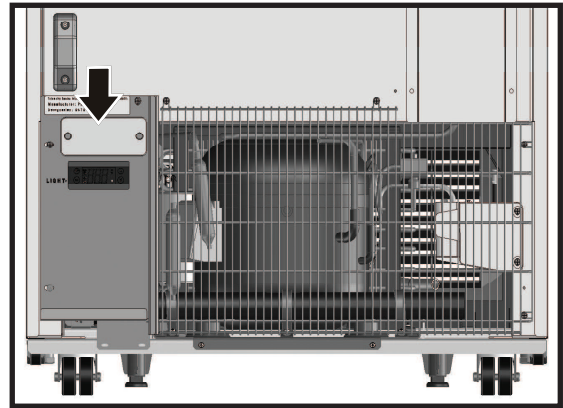
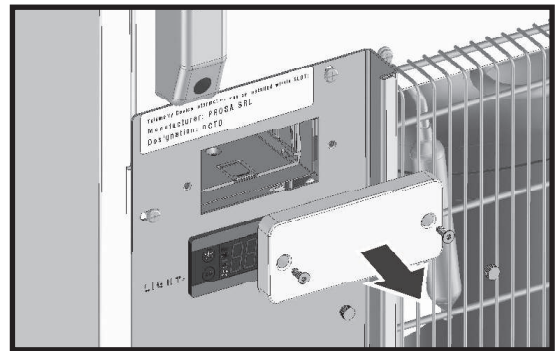


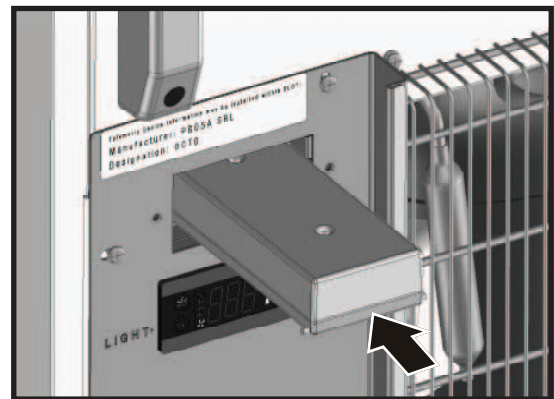
1. **WARNING!** The installation of Telemetry Device has to be performed **ONLY** and **EXCLUSIVELY** by qualified and skilled technicians.
2. Switch OFF the appliance before install the Telemetry device.
3. Slot for Telemetry is located at rear side and covered.



4. Open the plastic cover to access to the slot using TX10 screw driver.



5. Insert the Telemetry Device completely into the slot.



6. **IMPORTANT !** : Reinstall the plastic cover, screws and screws cap.
7. Installation of Telemetry Device is completed. Switch ON the appliance

