

MONOLITH

Cooling Redefined

Planning Guide

LIEBHERR

There are refrigerators. And then there is Liebherr.

How do you deliver outstanding quality? To always be one step ahead of technological innovations? And to constantly set new standards, even in design? By specialising in what you can do best: building refrigerators and freezers.

Every Liebherr development, every new feature, operating element and design detail contains over 70 years' specialist experience in refrigeration and freezing. This includes our luxury segment, the fully integrated Monolith series.

You can't get greater than the Monolith. And we're not just talking about its imposing height of 2.13 metres. These appliances are more than a new generation of fully integrated refrigerator and freezer compartments and wine cabinets. They are a statement.

A statement of exceptional quality and pioneering technologies which make refrigeration and freezing the highlight of the kitchen. Discover the secret of their perfection.



EWPI 9471 | EFNei 9671 | ERBdi 9770

Table of contents

Planning guidelines and notes	5	Planning information	58
Model overview	8	Installation options	60
Refrigerators	10	Ventilation requirements	62
Features	12	Door spacing requirements	63
Freezers	20	Safety requirements	64
Features	22	EU energy label for electrical appliances	66
Fridge-freezers	32		
Features	34		
Wine cabinets	42		
Features	44		
Accessories	50		
Side-by-Side combinations	56		



Planning guidelines and notes

▪ Observe the installation site requirements

Choose where to install the appliance with the required installations and observe the installation requirements. In particular, area height, floor loading, plug socket(s), water connection, securing against tipping (depending on the floor properties/floor heating). For more, see page 58.

▪ Set out reference lines

You need to take reference lines for the kitchen and apply them to the appliance to integrate the appliance in a visually pleasing way.

Either plinth or front panel at the bottom or bottom edge of the worktop for combinations.

For more, see page 60.

▪ Finalise planning for the appliance

- **Front:** front height, width, cut-out incl. thickness and compliance with the permissible weight

- **Installation method:** inset or non-flush

- **Observe the opening angle** for thick fronts (+25 mm). Note in-depth planning or enclosed limit pins

- **Ventilation** via the base with consideration of the ventilation cross-section

- **Dimension** of the appliances and the associated housing units (niche) incl. lateral installation

- **Installation** of the tilt protection on the floor or alternatively on the rear wall (available as an accessory)

- **Planning multiple appliances** (Side-by-Side)

- Niche width

- Securing equipment between the appliances (available as an accessory)

- Base covers (available as an accessory)

- **Other accessories** for use (filter, ice, wine, cleaning, FlexSystem, see page 55)

- **Fine adjustment during assembly:** The adjustable feet provide the fitter with wiggle room (+19 mm)

▪ Appliance transport

- Packaging dimensions/observe tilt dimensions (see page 58)

- Check transport route incl. delivery instructions (see page 58)

▪ Assembly

- Required tool (see assembly/installation instructions)

- Observe training and personnel requirements

- Appliance assembly/Side-by-Side assembly

▪ Downloads and documents

- Catalogue and website

- Planning documents: for planners, include planning-relevant information

- Assembly/installation instructions: for fitters

- Instruction manual/operating instructions: for end customers

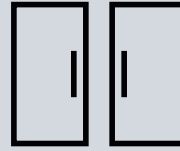
MONOLITH

New dimensions of
refrigerating and freezing.



EFNei 9971 | ERBdi 9970

Model overview



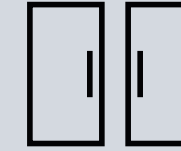
Refrigerators

Model	Features	Door hinges	Panels ¹ *optional accessories
ERBdi 96.. ←61,0→ Page 14	<ul style="list-style-type: none"> Bio Fresh Plus Infinity Light Soft System Soft Telescopic Infinity Swipe Smart Device 	- ERBdi 9670 (door hinge right) - ERBdi 9671 (door hinge left)	customer-spec. door panel / *stainless steel panel
ERBdi 97.. ←76,2→ Page 16	<ul style="list-style-type: none"> Bio Fresh Plus Infinity Light Soft System Soft Telescopic Infinity Swipe Infinity Spring Smart Device 	- ERBdi 9770 (door hinge right) - ERBdi 9771 (door hinge left)	customer-spec. door panel / *stainless steel panel
ERBdi 99.. ←91,4→ Page 18	<ul style="list-style-type: none"> Bio Fresh Plus Infinity Light Soft System Soft Telescopic Infinity Swipe Infinity Spring Smart Device 	- ERBdi 9970 (door hinge right) - ERBdi 9971 (door hinge left)	customer-spec. door panel / *stainless steel panel

Freezers

Model	Features	Door hinges	Panels ¹ *optional accessories
EFNei 94.. ←45,7→ Page 24	<ul style="list-style-type: none"> No Frost Infinity Light Ice Maker Soft System Soft Telescopic Infinity Swipe Smart Device 	- EFNei 9470 (door hinge right) - EFNei 9471 (door hinge left)	customer-spec. door panel / *stainless steel panel
EFNei 96.. ←61,0→ Page 26	<ul style="list-style-type: none"> No Frost Infinity Light Ice Maker Soft System Soft Telescopic Infinity Swipe Smart Device 	- EFNei 9670 (door hinge right) - EFNei 9671 (door hinge left)	customer-spec. door panel / *stainless steel panel
EFNei 97.. ←76,2→ Page 28	<ul style="list-style-type: none"> No Frost Infinity Light Ice Maker Soft System Soft Telescopic Infinity Swipe Smart Device 	- EFNei 9770 (door hinge right) - EFNei 9771 (door hinge left)	customer-spec. door panel / *stainless steel panel
EFNei 99.. ←91,4→ Page 30	<ul style="list-style-type: none"> No Frost Infinity Light Ice Maker Soft System Soft Telescopic Infinity Swipe Smart Device 	- EFNei 9970 (door hinge right) - EFNei 9971 (door hinge left)	customer-spec. door panel / *stainless steel panel

¹ Door panel dimensions and weights on pages 59.



Fridge-freezers

Model	Features	Door hinges	Panels ¹ *optional accessories
ECBNei 97.. ←76,2→ Page 36	<ul style="list-style-type: none"> Bio Fresh Plus No Frost Duo Cooling Infinity Light Infinity Spring Ice Maker Soft System Soft Telescopic Infinity Swipe Smart Device 	- ECBNei 9770 (door hinge right) - ECBNei 9771 (door hinge left)	customer-spec. door panel / *stainless steel panel
ECBNdi 99.. ←91,4→ Page 38	<ul style="list-style-type: none"> Bio Fresh Plus No Frost Duo Cooling Infinity Light Infinity Spring Ice Maker Soft System Soft Telescopic Infinity Swipe Smart Device 	- ECBNdi 9970 (door hinge right) - ECBNdi 9971 (door hinge left)	customer-spec. door panel / *stainless steel panel
ECBNei 9972 ←91,4→ Page 40	<ul style="list-style-type: none"> Bio Fresh Plus No Frost Duo Cooling Infinity Light Infinity Spring Ice Maker Soft System Soft Telescopic Infinity Swipe Smart Device 	Door hinge left fixed / right fixed (FrenchDoor)	customer-spec. door panel / *stainless steel panel

Wine cabinets

Model	Features	Door hinges	Panels ¹ *optional accessories
EWPI 94.. ←45,7→ Page 46	<ul style="list-style-type: none"> Fresh Air Infinity Light Soft System Soft Telescopic Infinity Swipe Smart Device 	- EWPI 9470 (door hinge right) - EWPI 9471 (door hinge left)	customer-spec. door panel / *stainless steel panel
EWPI 96.. ←61,0→ Page 48	<ul style="list-style-type: none"> Fresh Air Infinity Light Soft System Soft Telescopic Infinity Swipe Smart Device 	- EWPI 9670 (door hinge right) - EWPI 9671 (door hinge left)	customer-spec. door panel / *stainless steel panel

Refrigerators

EFNei 9471 | ERBdi 9770



InfinitySwipe

The InfinitySwipe electronic touch control consists of a bright and clear 3.5 inch display and, with “touch & swipe” technology, is intuitive to use. QR codes aid smart use with direct access, for instance, to the instruction manual, give storage recommendations and direct users towards the accessories shop and customer service, if needed. It makes controlling the fridge a whole new experience.



SmartDevice

The Monolith is supplied with a SmartDeviceBox which establishes a connection between a smartphone or tablet and the Monolith. This allows settings and functions to be activated also while you are on the move. Push messages report, for example, open doors.*

*SmartDevice functions not available in all countries.



BioFresh-Plus

At a temperature of slightly above 0 °C and in controllable humidity, fruit and vegetables, meat and dairy products keep fresh for considerably longer than in a conventional refrigeration compartment as a result of BioFresh technology. While the practical FlexSystem helps with the sorting and clear organisation in the preferred BioFresh safe, the InfinityBeam LED lighting ensures perfect illumination of the BioFresh safes. The third BioFresh safe in the Monolith goes a step further: Here it can reach temperatures of -2 °C, ideal for the storage of fresh fish and seafood. However, drinks can also be cooled down quickly in this safe. All BioFresh safes are equipped with SoftTelescopic, the convenient self-closing mechanism gentle cushioned door closure, making it practical and safe for everyday use.



InfinitySpring

With the flush, almost invisibly integrated water dispenser InfinitySpring (only on the ERB 97/99 models), household-size containers can be filled with cool water. A replaceable water filter ensures pure water enjoyment. It is located in the front of the appliance plinth and is easily accessible.



PowerCooling

The high-performance PowerCooling system ensures rapid and even cooling of food in the interior and – due to the special air ducting – also of food stored in the door racks. The integrated FreshAir activated charcoal filter prevents odours from forming and cleans the incoming air.



InfinityLight

The full-surface integrated LED lighting on the side wall creates an elegant and even light throughout the entire refrigeration compartment. This produces a soft light when the door is opened. The stunning InfinityLight not only adds flair, but thanks to the reduced heat emission, also protects the quality of the food.



Flexible door rack & storage shelves

The generous door racks provide plenty of space even for very large bottles and containers with a volume of several litres. All storage shelves in the interior are made from safety glass and are easily height-adjustable. This provides plenty of scope for use to meet your needs and individual requirements.



← 61,0 →



ERBdi 9671



ERBdi 9670

Energy efficiency class	D
Energy consumption in kWh (year / 24h)	156 / 0.427
Noise output in dB(A) / Noise class	35 / B
Total volume* in litres	335
Volume of refrigerator compartment in litres	192.9
Volume of BioFresh compartment in litres	142.4
Number of storage shelves, of which height-adjustable	4 / 3
Number of door racks	3
Number of BioFresh / BioFresh-Plus safes with LED lighting	3
Electronic control system	InfinitySwipe
Automatic SuperCool function	yes
Temperature range of refrigerator in °C	+2 °C to +7 °C
Defrosting method	automatic
Interior lighting	InfinityLight
Integrated water dispenser	no
Water filter	no
Door hinge	reversible**
Appliance dimensions in cm (H / W / D)	212.6 / 60.2 / 61
Recess dimensions in cm (H / W / D)	213.4 / 61 / 63.5
Net weight in kg	150.0
Voltage in V~ / Connected load in A	220-240 / 1.5

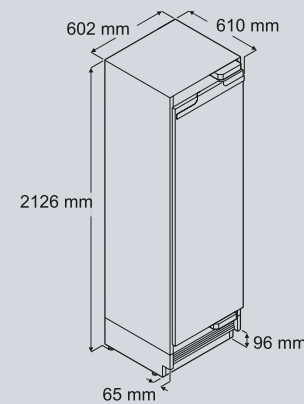


* In accordance with Regulation EU 2019/2016, we indicate the total volume to the nearest integer (rounded off) and the volume of the frozen compartments and refrigeration compartments to one place after the decimal point.
 ** Appliance door hinge left: ERBdi 9671 / appliance door hinge right: ERBdi 9670.
 Please contact the authorised Liebherr Monolith customer service for reversing the door hinge. You can find the full range of efficiency classes on page 66. As per (EU) 2017/1369 6a.

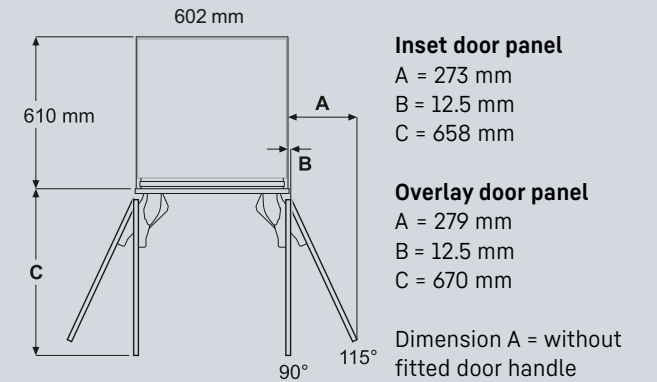
Accessories (page 50-55)

- Handle
- Stainless steel panel
- Stainless steel base covers
- Side-by-Side set

Appliance dimensions

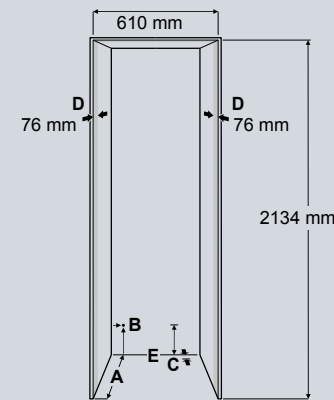


IMPORTANT!
 The adjustable feet are fully retracted for the minimum height stated. The appliance height is raised by turning the adjustable feet. Once the appliance has been positioned in the recess, it is raised using the adjustable feet – in each case from the front of the appliance – so that the appliance comes into contact with the anti-tipping device. To achieve the minimal plinth panel height of 102 mm, the adjustable feet have to be raised by 6 to 8 mm. If the plinth panel should be higher than 102 mm, the adjustable feet can be raised by a maximum of 19 mm.

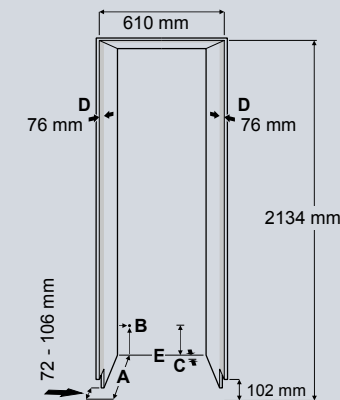


Recess dimensions

Individual plinth panel



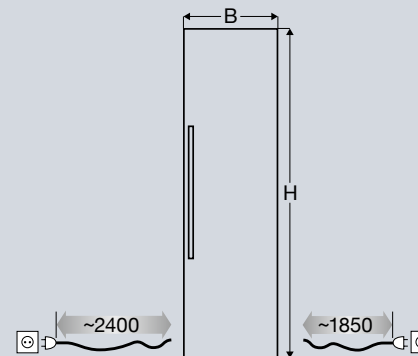
Continuous plinth panel



- A** Unit depth
 with overlay door panel installation: 635 mm
 with inset door panel installation: 635 mm + thickness of the custom panel. Further details on page 59.
- B** Point at which the mains cable exits from the rear of the appliance (19 mm from the left and 127 mm from the floor). The free length of the mains cable is 2.5 m.
- C** The appliance has a recess in this area for cable and water line routing: Depth is 25 mm, and height 140 mm across the entire appliance width.
- D** This surface is visible when the appliance door is opened. Designed finish is therefore recommended.
- E** The anti-tipping device positioned at the base of the appliance must be secured to the floor or to the wall.

Door panel dimensions

and dimensions of free length for power



Inset installation

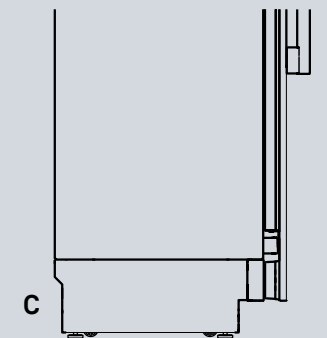
H = 2029 mm
 W = 603 mm

Overlay installation

H = 2032 mm
 (plus the dimensions of overlapping of the panel on the top)
 W = 610 mm
 (plus the dimensions of overlapping of the panel on both sides)

Thickness of the panel: min. 16 mm* / max. 25 mm
 Weight of panel: max. 30 kg

Installations behind the appliance are not possible.

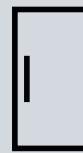


* When using fronts with a thickness of <16 mm, shorter screws than those provided in the accessory kit must be used.

For further relevant planning and safety requirements, see pages 58-65.



ERBdi 9771



ERBdi 9770

Energy efficiency class	D
Energy consumption in kWh (year / 24h)	171 / 0.468
Noise output in dB(A) / Noise class	35 / B
Total volume* in litres	440
Volume of refrigerator compartment in litres	250.5
Volume of BioFresh compartment in litres	190.3
Number of storage shelves, of which height-adjustable	4 / 3
Number of door racks	3
Number of BioFresh / BioFresh-Plus safes with LED lighting	3
Electronic control system	InfinitySwipe
Automatic SuperCool function	yes
Temperature range of refrigerator in °C	+2°C to +7°C
Defrosting method	automatic
Interior lighting	InfinityLight
Integrated water dispenser	InfinitySpring
Water filter	yes
Door hinge	reversible**
Appliance dimensions in cm (H/W/D)	212.6 / 75.4 / 61
Recess dimensions in cm (H/W/D)	213.4 / 76.2 / 63.5
Net weight in kg	198.0
Voltage in V~ / Connected load in A	220-240 / 1.5

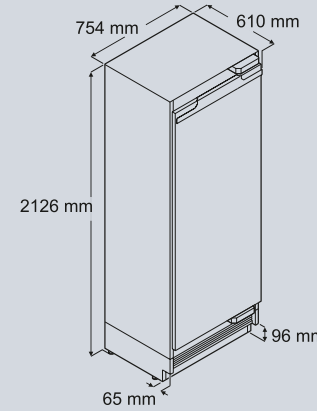


* In accordance with Regulation EU 2019/2016, we indicate the total volume to the nearest integer (rounded off) and the volume of the frozen compartments and refrigeration compartments to one place after the decimal point.
 ** Appliance door hinge left: ERBdi 9771 / appliance door hinge right: ERBdi 9770.
 Please contact the authorised Liebherr Monolith customer service for reversing the door hinge. You can find the full range of efficiency classes on page 66. As per (EU) 2017/1369 6a.

Accessories (page 50-55)

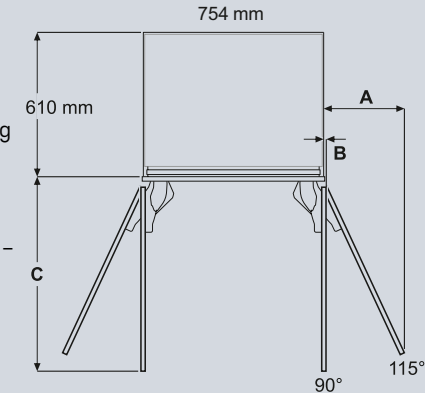
- Handle
- Stainless steel panel
- Stainless steel base covers
- Side-by-Side set

Appliance dimensions



IMPORTANT!

The adjustable feet are fully retracted for the minimum height stated. The appliance height is raised by turning the adjustable feet. Once the appliance has been positioned in the recess, it is raised using the adjustable feet – in each case from the front of the appliance – so that the appliance comes into contact with the anti-tipping device. To achieve the minimal plinth panel height of 102 mm, the adjustable feet have to be raised by 6 to 8 mm. If the plinth panel should be higher than 102 mm, the adjustable feet can be raised by a maximum of 19 mm.



Inset door panel

A = 337 mm
 B = 12.5 mm
 C = 810 mm

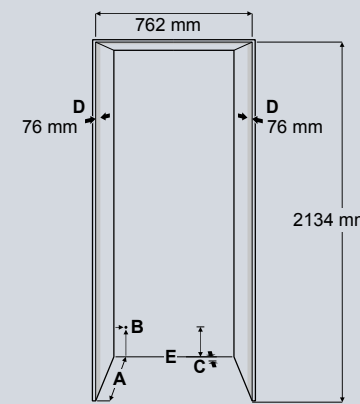
Overlay door panel

A = 343 mm
 B = 12.5 mm
 C = 822 mm

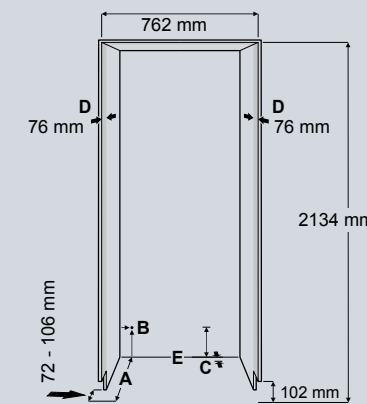
Dimension A = without fitted door handle

Recess dimensions

Individual plinth panel



Continuous plinth panel



A

Unit depth
 with overlay door panel installation: 635 mm
 with inset door panel installation: 635 mm + thickness of the custom panel. Further details on page 59.

B

Point at which the mains cable exits from the rear of the appliance (19 mm from the left and 127 mm from the floor). The free length of the mains cable is 2.5 m.

C

The appliance has a recess in this area for cable and water line routing: Depth is 25 mm, and height 140 mm across the entire appliance width.

D

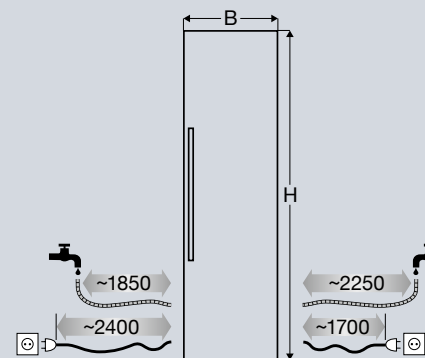
This surface is visible when the appliance door is opened. Designed finish is therefore recommended.

E

The anti-tipping device positioned at the base of the appliance must be secured to the floor or to the wall.

Door panel dimensions

and dimensions of free length for power / water



Inset installation

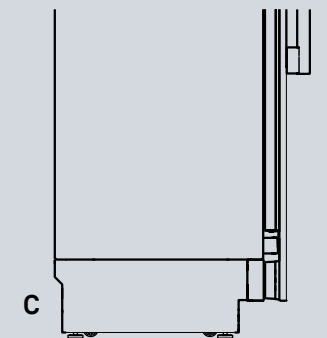
H = 2029 mm
 W = 756 mm

Overlay installation

H = 2032 mm
 (plus the dimensions of overlapping of the panel on the top)
 W = 762 mm
 (plus the dimensions of overlapping of the panel on both sides)

Thickness of the panel: min. 16 mm* / max. 25 mm
 Weight of panel: max. 35 kg

Installations behind the appliance are not possible.

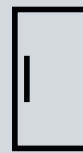


* When using fronts with a thickness of <16 mm, shorter screws than those provided in the accessory kit must be used.

For further relevant planning and safety requirements, see pages 58-65.



ERBdi 9971



ERBdi 9970

Energy efficiency class	D
Energy consumption in kWh (year / 24h)	185 / 0.506
Noise output in dB(A) / Noise class	32 / B
Total volume* in litres	542
Volume of refrigerator compartment in litres	308
Volume of BioFresh compartment in litres	234.8
Number of storage shelves, of which height-adjustable	4 / 3
Number of door racks	3
Number of BioFresh / BioFresh-Plus safes with LED lighting	3
Electronic control system	InfinitySwipe
Automatic SuperCool function	yes
Temperature range of refrigerator in °C	+2°C to +7°C
Defrosting method	automatic
Interior lighting	InfinityLight
Integrated water dispenser	InfinitySpring
Water filter	yes
Door hinge	reversible**
Appliance dimensions in cm (H/W/D)	212.6 / 90.6 / 61
Recess dimensions in cm (H/W/D)	213.4 / 91.4 / 63.5
Net weight in kg	200.0
Voltage in V~ / Connected load in A	220-240 / 1.5

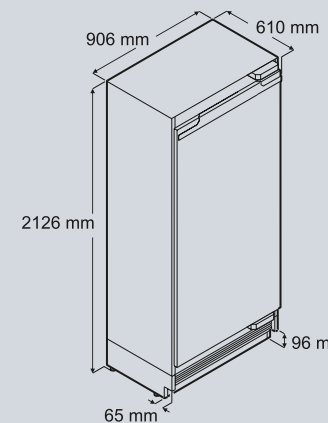


* In accordance with Regulation EU 2019/2016, we indicate the total volume to the nearest integer (rounded off) and the volume of the frozen compartments and refrigeration compartments to one place after the decimal point.
 ** Appliance door hinge left: ERBdi 9971 / appliance door hinge right: ERBdi 9970.
 Please contact the authorised Liebherr Monolith customer service for reversing the door hinge. You can find the full range of efficiency classes on page 66. As per (EU) 2017/1369 6a.

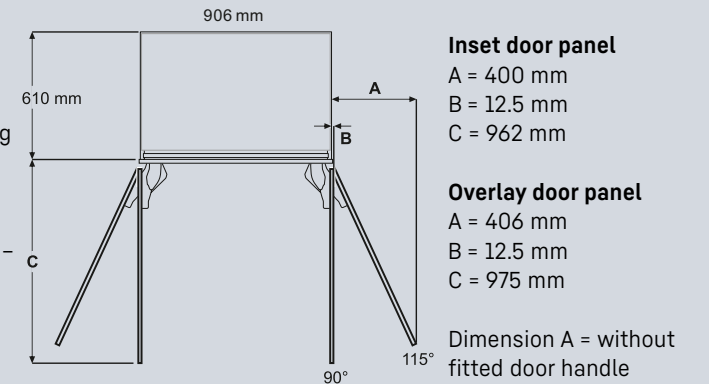
Accessories (page 50-55)

- Handle
- Stainless steel panel
- Stainless steel base covers
- Side-by-Side set

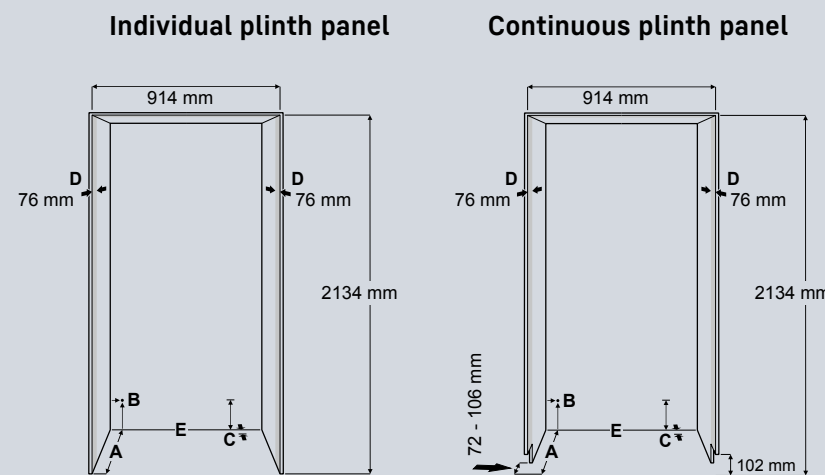
Appliance dimensions



IMPORTANT!
 The adjustable feet are fully retracted for the minimum height stated. The appliance height is raised by turning the adjustable feet. Once the appliance has been positioned in the recess, it is raised using the adjustable feet – in each case from the front of the appliance – so that the appliance comes into contact with the anti-tipping device. To achieve the minimal plinth panel height of 102 mm, the adjustable feet have to be raised by 6 to 8 mm. If the plinth panel should be higher than 102 mm, the adjustable feet can be raised by a maximum of 19 mm.



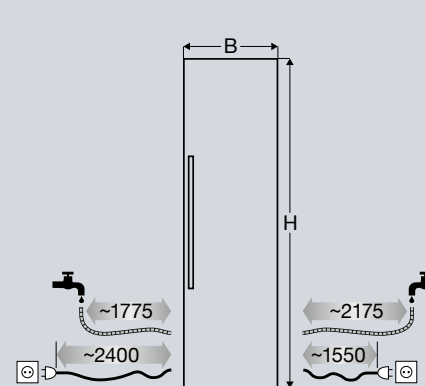
Recess dimensions



- A** Unit depth
 with overlay door panel installation: 635 mm
 with inset door panel installation: 635 mm + thickness of the custom panel. Further details on page 59.
- B** Point at which the mains cable exits from the rear of the appliance (19 mm from the left and 127 mm from the floor). The free length of the mains cable is 2.5 m.
- C** The appliance has a recess in this area for cable and water line routing: Depth is 25 mm, and height 140 mm across the entire appliance width.
- D** This surface is visible when the appliance door is opened. Designed finish is therefore recommended.
- E** The anti-tipping device positioned at the base of the appliance must be secured to the floor or to the wall.

Door panel dimensions

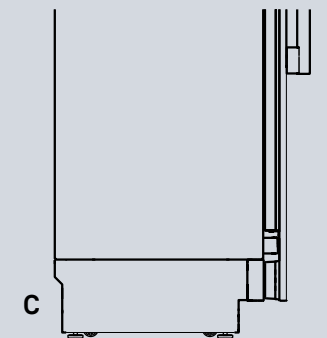
and dimensions of free length for power / water



Inset installation
 H = 2029 mm
 W = 908 mm

Overlay installation
 H = 2032 mm
 (plus the dimensions of overlapping of the panel on the top)
 W = 914 mm
 (plus the dimensions of overlapping of the panel on both sides)

Thickness of the panel: min. 16 mm* / max. 25 mm
 Weight of panel: max. 40 kg
 Installations behind the appliance are not possible.

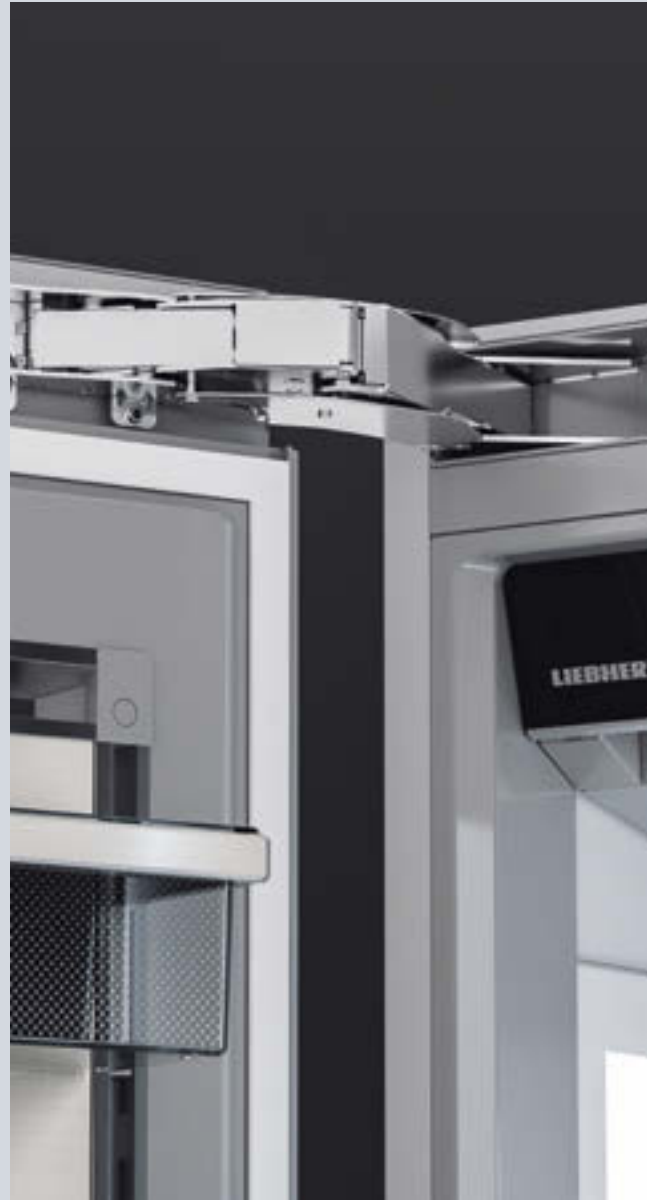


* When using fronts with a thickness of <16 mm, shorter screws than those provided in the accessory kit must be used.

For further relevant planning and safety requirements, see pages 58-65.

Freezers

EFNei 9471 | ERBdi 9770



SoftSystem

Thanks to the SoftSystem closing damping, the doors close gently and quietly even when fully loaded. Depending on the size of the Monolith, its door hinges can hold up to 40 kg.



IceMaker

The automatic IceMaker creates 1.6 kg of filtered ice in 24 hours. The production capacity can be increased even further by activating the SuperFrost function. With a storage volume of 1.8 kg to 3.5 kg (depending on the model), there is always sufficient ice available. A replaceable water filter is located in the front section of the appliance plinth and is easily accessible.



InfinityLight

The full-surface integrated LED lighting on the side wall creates an elegant and even light throughout the entire freezer compartment. This produces a soft light when the door is opened. The stunning InfinityLight not only adds flair, but thanks to the reduced heat emission, also protects the quality of the food.



NoFrost

NoFrost technology freezes frozen food with cooled re-circulated air and removes the humidity. This keeps the freezer compartment ice-free at all times, and food is no longer covered in frost. NoFrost convenience means defrosting is no longer necessary. The enclosed removable freezer drawers of the FrostSafe system protect the frozen food from unwanted air exchange and from the loss of cold air when the door is opened. The drawers are transparent and fitted with telescopic rails and the InfinityBeam LED lighting to provide a perfect overview. All drawers are equipped with SoftTelescopic: the convenient self-closing mechanism gentle cushioned door closure, making it practical and safe for everyday use.



Flexible door rack

In the Monolith, food is stored not only in innovative, smooth-running freezer drawers but also in the door. The transparent door racks in the freezer door are height-adjustable, providing lots of space for smaller items. The special air ducting system in the freezer area ensures that the cold air is able to move constantly. This keeps the temperature constant, which optimises food storage.



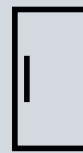
SuperFrost

The SuperFrost function quickly lowers the temperature to preserve vitamins when freezing. Once the freezing is complete, it switches back to normal operation after a maximum of 65 hours and helps save electricity. This and other functions can also be easily controlled via SmartDevice services when you are on the move.*

*SmartDevice functions not available in all countries.



EFNei 9471



EFNei 9470

Energy efficiency class	E
Energy consumption in kWh (year / 24h)	311 / 0.852
Noise output in dB(A) / Noise class	37 / C
Total volume* in litres	245
Number of storage shelves, of which height-adjustable	4 / 3
Number of door racks	3
Number of FrostSafe drawers	3
Electronic control system	InfinitySwipe
Automatic SuperFrost function	yes
Temperature range of freezer in °C	-14 °C to -27 °C
Defrosting method	automatic
Interior lighting	InfinityLight
IceMaker	fixed water connection 3 / 4"
Water filter	yes
Ice cube production in 24 h / in kg	1.3
Ice cube storage capacity in kg	1.8
Storage time in event of a fault in hours	8
Freezing capacity in 24 h / in kg	16
Door hinge	reversible**
Appliance dimensions in cm (H / W / D)	212.6 / 45 / 61
Recess dimensions in cm (H / W / D)	213.4 / 45.7 / 63.5
Net weight in kg	161.0
Voltage in V~ / Connected load in A	220-240 / 2.0

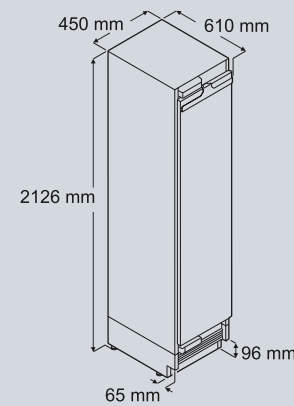


* In accordance with Regulation EU 2019/2016, we indicate the total volume to the nearest integer (rounded off) and the volume of the frozen compartments and refrigeration compartments to one place after the decimal point.
 ** Appliance door hinge left: EFNei 9471 / appliance door hinge right: EFNei 9470.
 Please contact the authorised Liebherr Monolith customer service for reversing the door hinge. You can find the full range of efficiency classes on page 66. As per (EU) 2017/1369 6a.

Accessories (page 50-55)

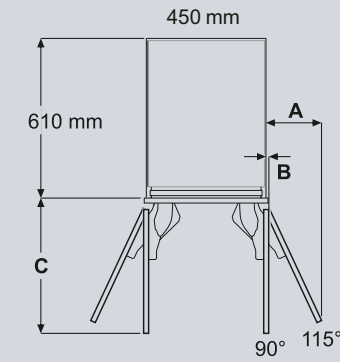
- Handle
- Stainless steel panel
- Stainless steel base covers
- Side-by-Side set

Appliance dimensions



IMPORTANT!

The adjustable feet are fully retracted for the minimum height stated. The appliance height is raised by turning the adjustable feet. Once the appliance has been positioned in the recess, it is raised using the adjustable feet – in each case from the front of the appliance – so that the appliance comes into contact with the anti-tipping device. To achieve the minimal plinth panel height of 102 mm, the adjustable feet have to be raised by 6 to 8 mm. If the plinth panel should be higher than 102 mm, the adjustable feet can be raised by a maximum of 19 mm.



Inset door panel

- A = 210 mm
- B = 12.5 mm
- C = 505 mm

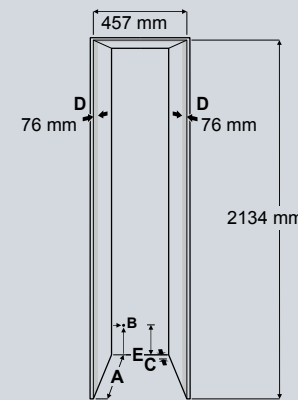
Overlay door panel

- A = 216 mm
- B = 12.5 mm
- C = 517 mm

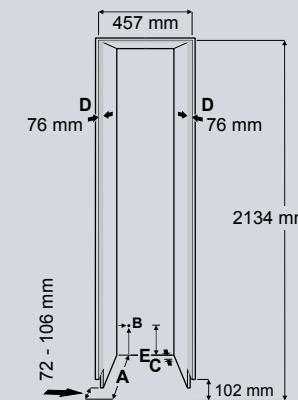
Dimension A = without fitted door handle

Recess dimensions

Individual plinth panel



Continuous plinth panel



A

Unit depth
 with overlay door panel installation: 635 mm
 with inset door panel installation: 635 mm + thickness of the custom panel. Further details on page 59.

B

Point at which the mains cable exits from the rear of the appliance (19 mm from the left and 127 mm from the floor). The free length of the mains cable is 2.5 m.

C

The appliance has a recess in this area for cable and water line routing: Depth is 25 mm, and height 140 mm across the entire appliance width.

D

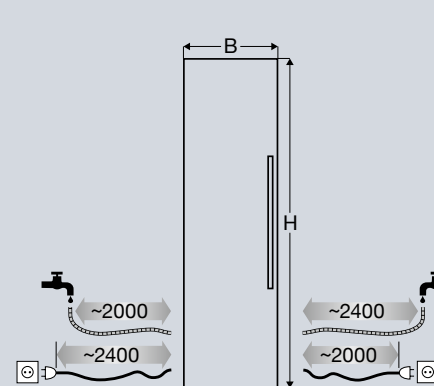
This surface is visible when the appliance door is opened. Designed finish is therefore recommended.

E

The anti-tipping device positioned at the base of the appliance must be secured to the floor or to the wall.

Door panel dimensions

and dimensions of free length for power / water



Inset installation

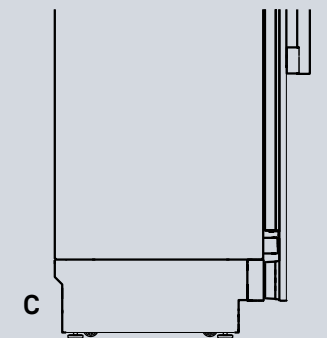
- H = 2029 mm
- W = 451 mm

Overlay installation

- H = 2032 mm (plus the dimensions of overlapping of the panel on the top)
- W = 457 mm (plus the dimensions of overlapping of the panel on both sides)

Thickness of the panel: min. 16 mm* / max. 25 mm
 Weight of panel: max. 25 kg

Installations behind the appliance are not possible.



* When using fronts with a thickness of <16 mm, shorter screws than those provided in the accessory kit must be used.

For further relevant planning and safety requirements, see pages 58-65.



+610→



EFNei 9671



EFNei 9670

Energy efficiency class	E
Energy consumption in kWh (year / 24h)	359 / 0.983
Noise output in dB(A) / Noise class	37 / C
Total volume* in litres	352
Number of storage shelves, of which height-adjustable	4 / 3
Number of door racks	3
Number of FrostSafe drawers	3
Electronic control system	InfinitySwipe
Automatic SuperFrost function	yes
Temperature range of freezer in °C	-14 °C to -27 °C
Defrosting method	automatic
Interior lighting	InfinityLight
IceMaker	fixed water connection 3 / 4"
Water filter	yes
Ice cube production in 24 h / in kg	1.1
Ice cube storage capacity in kg	2.4
Storage time in event of a fault in hours	12
Freezing capacity in 24 h / in kg	18
Door hinge	reversible**
Appliance dimensions in cm (H / W / D)	212.6 / 60.2 / 61
Recess dimensions in cm (H / W / D)	213.4 / 61 / 63.5
Net weight in kg	157.0
Voltage in V~ / Connected load in A	220-240 / 2.0

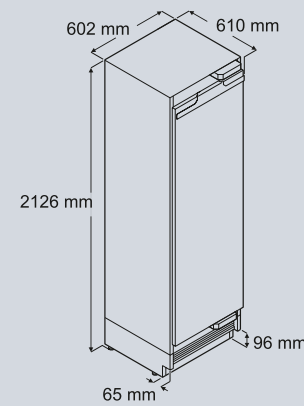


* In accordance with Regulation EU 2019/2016, we indicate the total volume to the nearest integer (rounded off) and the volume of the frozen compartments and refrigeration compartments to one place after the decimal point.
 ** Appliance door hinge left: EFNei 9671 / appliance door hinge right: EFNei 9670.
 Please contact the authorised Liebherr Monolith customer service for reversing the door hinge. You can find the full range of efficiency classes on page 66. As per (EU) 2017/1369 6a.

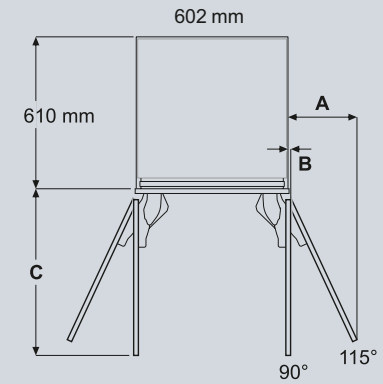
Accessories (page 50-55)

- Handle
- Stainless steel panel
- Stainless steel base covers
- Side-by-Side set

Appliance dimensions



IMPORTANT!
 The adjustable feet are fully retracted for the minimum height stated. The appliance height is raised by turning the adjustable feet. Once the appliance has been positioned in the recess, it is raised using the adjustable feet – in each case from the front of the appliance – so that the appliance comes into contact with the anti-tipping device. To achieve the minimal plinth panel height of 102 mm, the adjustable feet have to be raised by 6 to 8 mm. If the plinth panel should be higher than 102 mm, the adjustable feet can be raised by a maximum of 19 mm.



Inset door panel

A = 273 mm
 B = 12.5 mm
 C = 658 mm

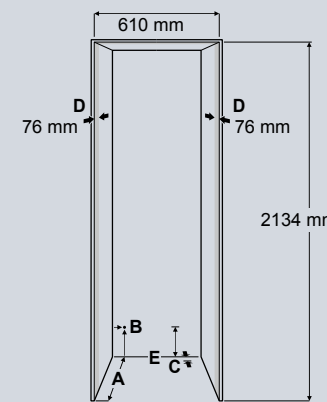
Overlay door panel

A = 279 mm
 B = 12.5 mm
 C = 670 mm

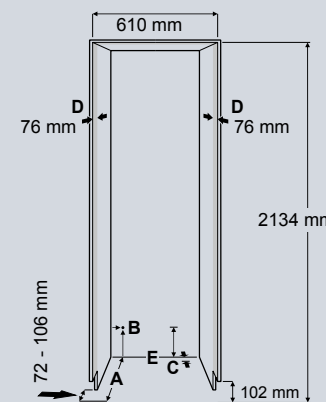
Dimension A = without fitted door handle

Recess dimensions

Individual plinth panel



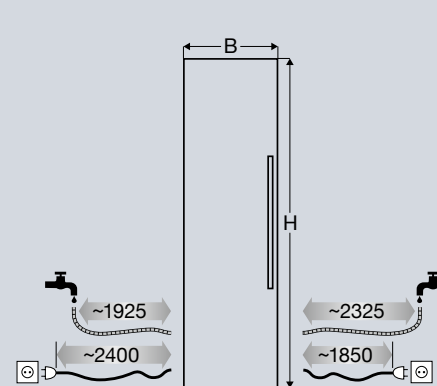
Continuous plinth panel



- A** Unit depth
 with overlay door panel installation: 635 mm
 with inset door panel installation: 635 mm + thickness of the custom panel. Further details on page 59.
- B** Point at which the mains cable exits from the rear of the appliance (19 mm from the left and 127 mm from the floor). The free length of the mains cable is 2.5 m.
- C** The appliance has a recess in this area for cable and water line routing: Depth is 25 mm, and height 140 mm across the entire appliance width.
- D** This surface is visible when the appliance door is opened. Designed finish is therefore recommended.
- E** The anti-tipping device positioned at the base of the appliance must be secured to the floor or to the wall.

Door panel dimensions

and dimensions of free length for power / water



Inset installation

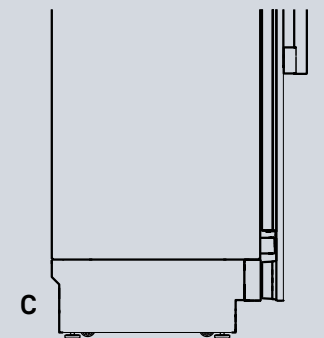
H = 2029 mm
 W = 603 mm

Overlay installation

H = 2032 mm
 (plus the dimensions of overlapping of the panel on the top)
 W = 610 mm
 (plus the dimensions of overlapping of the panel on both sides)

Thickness of the panel: min. 16 mm* / max. 25 mm
 Weight of panel: max. 30 kg

Installations behind the appliance are not possible.



* When using fronts with a thickness of <16 mm, shorter screws than those provided in the accessory kit must be used.

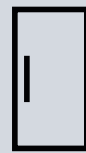
For further relevant planning and safety requirements, see pages 58-65.



←76,2→



EFNei 9771



EFNei 9770

Energy efficiency class	E
Energy consumption in kWh (year / 24h)	407 / 1.115
Noise output in dB(A) / Noise class	37 / C
Total volume* in litres	457
Number of storage shelves, of which height-adjustable	4 / 3
Number of door racks	3
Number of FrostSafe drawers	3
Electronic control system	InfinitySwipe
Automatic SuperFrost function	yes
Temperature range of freezer in °C	-14 °C to -27 °C
Defrosting method	automatic
Interior lighting	InfinityLight
IceMaker	fixed water connection 3 / 4"
Water filter	yes
Ice cube production in 24 h / in kg	1.1
Ice cube storage capacity in kg	3.0
Storage time in event of a fault in hours	18
Freezing capacity in 24 h / in kg	22
Door hinge	reversible**
Appliance dimensions in cm (H / W / D)	212.6 / 75.4 / 61
Recess dimensions in cm (H / W / D)	213.4 / 76.2 / 63.5
Net weight in kg	178.0
Voltage in V~ / Connected load in A	220-240 / 2.0

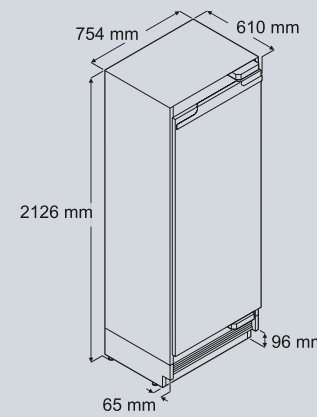


* In accordance with Regulation EU 2019/2016, we indicate the total volume to the nearest integer (rounded off) and the volume of the frozen compartments and refrigeration compartments to one place after the decimal point.
 ** Appliance door hinge left: EFNei 9771 / appliance door hinge right: EFNei 9770.
 Please contact the authorised Liebherr Monolith customer service for reversing the door hinge. You can find the full range of efficiency classes on page 66. As per (EU) 2017/1369 6a.

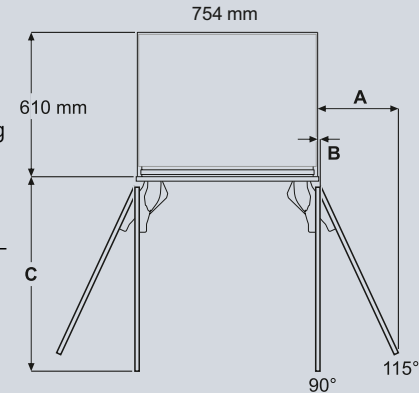
Accessories (page 50-55)

- Handle
- Stainless steel panel
- Stainless steel base covers
- Side-by-Side set

Appliance dimensions



IMPORTANT!
 The adjustable feet are fully retracted for the minimum height stated. The appliance height is raised by turning the adjustable feet. Once the appliance has been positioned in the recess, it is raised using the adjustable feet – in each case from the front of the appliance – so that the appliance comes into contact with the anti-tipping device. To achieve the minimal plinth panel height of 102 mm, the adjustable feet have to be raised by 6 to 8 mm. If the plinth panel should be higher than 102 mm, the adjustable feet can be raised by a maximum of 19 mm.



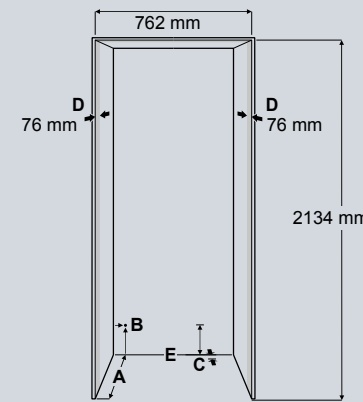
Inset door panel
 A = 337 mm
 B = 12.5 mm
 C = 810 mm

Overlay door panel
 A = 343 mm
 B = 12.5 mm
 C = 822 mm

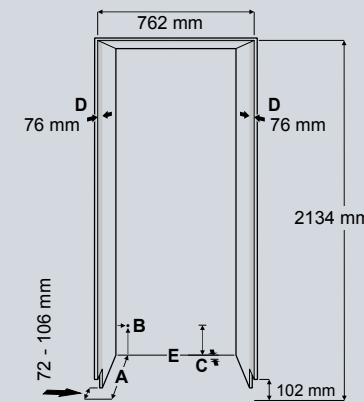
Dimension A = without fitted door handle

Recess dimensions

Individual plinth panel



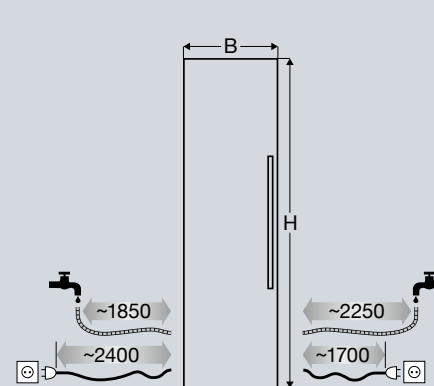
Continuous plinth panel



- A** Unit depth
 with overlay door panel installation: 635 mm
 with inset door panel installation: 635 mm + thickness of the custom panel. Further details on page 59.
- B** Point at which the mains cable exits from the rear of the appliance (19 mm from the left and 127 mm from the floor). The free length of the mains cable is 2.5 m.
- C** The appliance has a recess in this area for cable and water line routing: Depth is 25 mm, and height 140 mm across the entire appliance width.
- D** This surface is visible when the appliance door is opened. Designed finish is therefore recommended.
- E** The anti-tipping device positioned at the base of the appliance must be secured to the floor or to the wall.

Door panel dimensions

and dimensions of free length for power / water



Inset installation

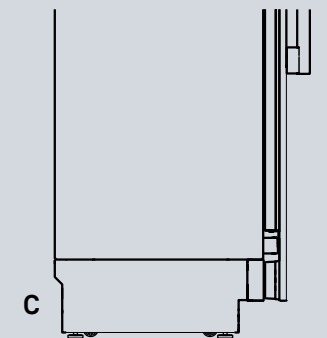
H = 2029 mm
 W = 756 mm

Overlay installation

H = 2032 mm
 (plus the dimensions of overlapping of the panel on the top)
 W = 762 mm
 (plus the dimensions of overlapping of the panel on both sides)

Thickness of the panel: min. 16 mm* / max. 25 mm
 Weight of panel: max. 35 kg

Installations behind the appliance are not possible.



* When using fronts with a thickness of <16 mm, shorter screws than those provided in the accessory kit must be used.

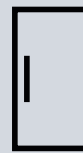
For further relevant planning and safety requirements, see pages 58-65.



←91,4→



EFNei 9971



EFNei 9970

Energy efficiency class	E
Energy consumption in kWh (year / 24h)	456 / 1.249
Noise output in dB(A) / Noise class	38 / C
Total volume* in litres	564
Number of storage shelves, of which height-adjustable	4 / 3
Number of door racks	3
Number of FrostSafe drawers	3
Electronic control system	InfinitySwipe
Automatic SuperFrost function	yes
Temperature range of freezer in °C	-14 °C to -27 °C
Defrosting method	automatic
Interior lighting	InfinityLight
IceMaker	fixed water connection 3 / 4"
Water filter	yes
Ice cube production in 24 h / in kg	1.3
Ice cube storage capacity in kg	3.5
Storage time in event of a fault in hours	19
Freezing capacity in 24 h / in kg	26
Door hinge	reversible**
Appliance dimensions in cm (H / W / D)	212.6 / 90.6 / 61
Recess dimensions in cm (H / W / D)	213.4 / 91.4 / 63.5
Net weight in kg	191.0
Voltage in V~ / Connected load in A	220-240 / 2.0

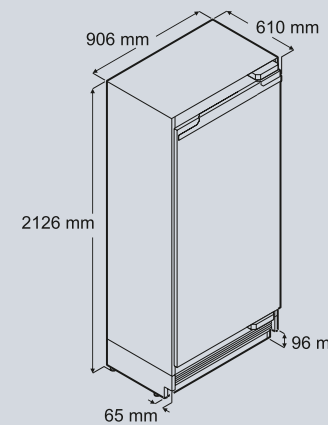


* In accordance with Regulation EU 2019/2016, we indicate the total volume to the nearest integer (rounded off) and the volume of the frozen compartments and refrigeration compartments to one place after the decimal point.
 ** Appliance door hinge left: EFNei 9971 / appliance door hinge right: EFNei 9970.
 Please contact the authorised Liebherr Monolith customer service for reversing the door hinge. You can find the full range of efficiency classes on page 66. As per (EU) 2017/1369 6a.

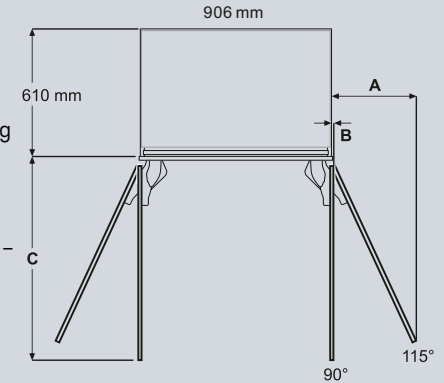
Accessories (page 50-55)

- Handle
- Stainless steel panel
- Stainless steel base covers
- Side-by-Side set

Appliance dimensions



IMPORTANT!
 The adjustable feet are fully retracted for the minimum height stated. The appliance height is raised by turning the adjustable feet. Once the appliance has been positioned in the recess, it is raised using the adjustable feet – in each case from the front of the appliance – so that the appliance comes into contact with the anti-tipping device. To achieve the minimal plinth panel height of 102 mm, the adjustable feet have to be raised by 6 to 8 mm. If the plinth panel should be higher than 102 mm, the adjustable feet can be raised by a maximum of 19 mm.



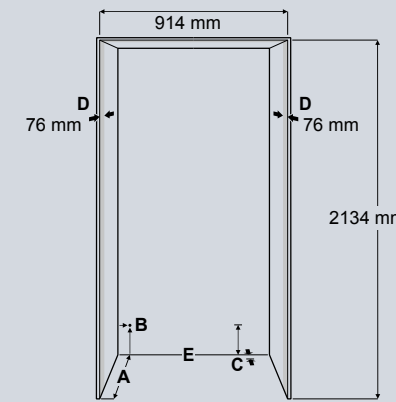
Inset door panel
 A = 400 mm
 B = 12.5 mm
 C = 962 mm

Overlay door panel
 A = 406 mm
 B = 12.5 mm
 C = 975 mm

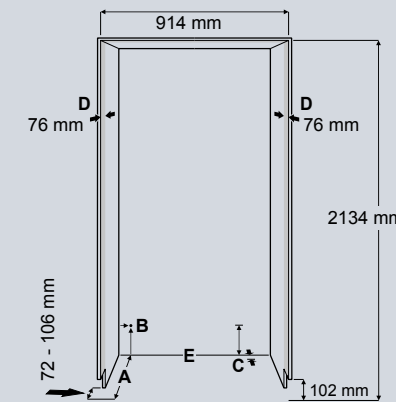
Dimension A = without fitted door handle

Recess dimensions

Individual plinth panel



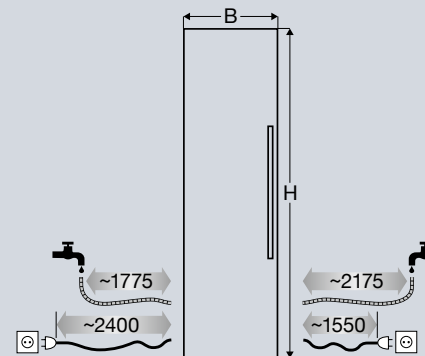
Continuous plinth panel



- A** Unit depth
 with overlay door panel installation: 635 mm
 with inset door panel installation: 635 mm + thickness of the custom panel. Further details on page 59.
- B** Point at which the mains cable exits from the rear of the appliance (19 mm from the left and 127 mm from the floor). The free length of the mains cable is 2.5 m.
- C** The appliance has a recess in this area for cable and water line routing: Depth is 25 mm, and height 140 mm across the entire appliance width.
- D** This surface is visible when the appliance door is opened. Designed finish is therefore recommended.
- E** The anti-tipping device positioned at the base of the appliance must be secured to the floor or to the wall.

Door panel dimensions

and dimensions of free length for power / water



Inset installation

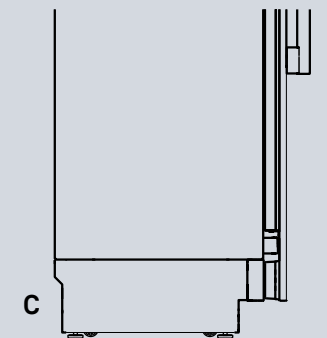
H = 2029 mm
 W = 908 mm

Overlay installation

H = 2032 mm
 (plus the dimensions of overlapping of the panel on the top)
 W = 914 mm
 (plus the dimensions of overlapping of the panel on both sides)

Thickness of the panel: min. 16 mm* / max. 25 mm
 Weight of panel: max. 40 kg

Installations behind the appliance are not possible.



* When using fronts with a thickness of <16 mm, shorter screws than those provided in the accessory kit must be used.

For further relevant planning and safety requirements, see pages 58-65.

Fridge-freezers



ECBNei 9972 | FrenchDoor



InfinitySwipe

The InfinitySwipe electronic touch control consists of a bright and clear 3.5 inch display and, with “touch & swipe” technology, is intuitive to use. QR codes aid smart use with direct access, for instance, to the instruction manual, give storage recommendations and direct users towards the accessories shop and customer service, if needed. It makes controlling the fridge a whole new experience.



DuoCooling

With two independently controlled cooling circuits, DuoCooling controls the temperature in fridge-freezers separately and with precision for the refrigerator and freezer compartments. There is no air exchange between the refrigerator and freezer compartments. Odour transfer is prevented and stored foods do not dry out.



InfinityLight

The full-surface integrated LED lighting on the side wall creates an elegant and even light throughout the entire refrigeration compartment. This produces a soft light when the door is opened. The stunning InfinityLight not only adds flair, but thanks to the reduced heat emission, also protects the quality of the food.



Individually opening doors

With two completely noiseless and independently opening and closing doors, you can enjoy a refrigeration volume of almost 326 litres with the FrenchDoor fridge-freezer. The unique FrenchDoor sealing system by Liebherr ensures that every door is always completely closed. This means that you save energy and always have the right temperature in your refrigerator compartment.



InfinitySpring

The InfinitySpring water dispenser is flush-mounted, making it virtually invisible and allows standard-sized containers to be filled with cold water. A replaceable water filter ensures a constant supply of pure water. This is easily accessible and is located in the front section of the appliance plinth.



BioFresh-Plus

BioFresh-Plus guarantees the perfect climate for much longer freshness. The BioFresh-Plus safe can be variably divided into different temperature zones and therefore used for different foods: With a constant temperature of just over 0 °C – ideal for meat and dairy products. Or at an icy -2 °C in the entire compartment, which fish and seafood love. And, on request, divided as well: left -2 °C, right just over 0 °C, in between a dividing wall as a temperature limit. And fruit and vegetables, too, can be stored in the BioFresh-Plus safe at just over 0 °C, considerably longer than in the normal refrigerator compartment.



IceMaker

The automatic IceMaker creates 1.6 kg of ice from filtered water in 24 hours. The ice production can be increased further by activating the SuperFrost function. The upper draw in the NoFrost freezer compartment is enclosed and protects the frozen goods from undesired loss of cooled air by means of the FrostSafe system.



SmartDevice

The Monolith is supplied with a SmartDeviceBox which establishes a connection between a smartphone or tablet and the Monolith. This allows settings and functions to be activated also while you are on the move. Push messages report, for example, open doors.*

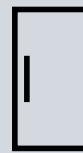
*SmartDevice functions not available in all countries.



←76,2→



ECBNei 9771



ECBNei 9770

Energy efficiency class	E
Energieverbrauch in kWh (Jahr / 24h)	307 / 0.841
Noise output in dB(A) / Noise class	37 / C
Total volume* in litres	412
Volume of refrigerator compartment in litres	197
Volume of BioFresh compartment in litres	70.1
Volume of freezer compartment in litres	146
Number of storage shelves, of which height-adjustable	3 / 2
Number of door racks	2
Number of FrostSafe drawers	2
Electronic control	InfinitySwipe
Automatic SuperCool function	yes
Automatic SuperFrost function	yes
Temperature range of refrigerator compartment in °C	+2°C to +7°C
Temperature range of freezer compartment in °C	-14°C to -27°C
Defrosting method	automatic
Interior lighting	InfinityLight
Integrated water dispenser / Fixed water connection 3/4"	InfinitySpring
Water filter	yes
IceMaker	fixed water connection 3/4"
Ice cube production in 24 h / in k	1.4
Ice cube storage capacity in kg	3.0
Door hinge	reversible**
Appliance dimensions in cm (H / W / D)	212.6 / 75.4 / 61
Recess dimensions in cm (H / W / D)	213.4 / 76.2 / 63.5
Net weight in kg	184.0
Voltage in V~ / Connected load in A	220-240 / 3.0

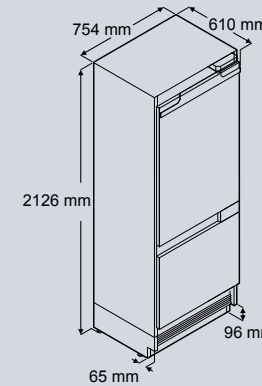
Bio Fresh Plus	No Frost	Duo Cooling	Fresh Air	Super Cool	Super Frost	Infinity Light	Infinity Beam	Infinity Spring	Ice Maker
Soft System	Soft telescopic	Infinity Swipe	Smart Device						

* In accordance with Regulation EU 2019/2016, we indicate the total volume to the nearest integer (rounded off) and the volume of the frozen compartments and refrigeration compartments to one place after the decimal point.
 ** Appliance door hinge left: ECBNei 9771 / appliance door hinge right: ECBNei 9770.
 Please contact the authorised Liebherr Monolith customer service for reversing the door hinge. You can find the full range of efficiency classes on page 66. As per (EU) 2017/1369 6a.

Accessories (page 50-55)

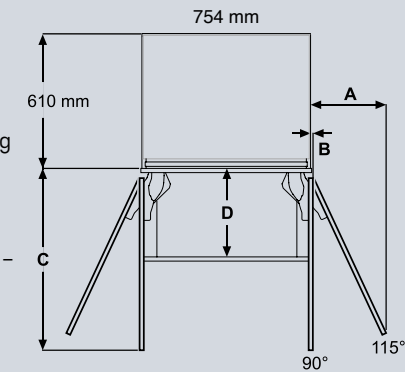
- Handle
- Stainless steel panel
- Stainless steel base covers
- Side-by-Side set

Appliance dimensions



IMPORTANT!

The adjustable feet are fully retracted for the minimum height stated. The appliance height is raised by turning the adjustable feet. Once the appliance has been positioned in the recess, it is raised using the adjustable feet – in each case from the front of the appliance – so that the appliance comes into contact with the anti-tipping device. To achieve the minimal plinth panel height of 102 mm, the adjustable feet have to be raised by 6 to 8 mm. If the plinth panel should be higher than 102 mm, the adjustable feet can be raised by a maximum of 19 mm.



Inset door panel

- A = 377 mm
- B = 12.5 mm
- C = 810 mm

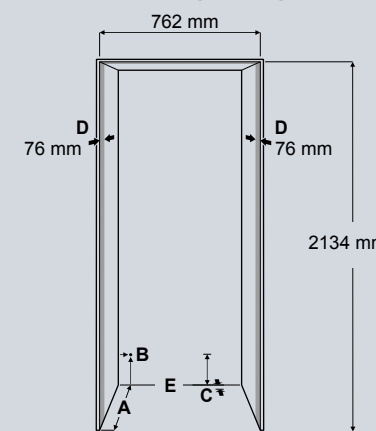
Overlay door panel

- A = 343 mm
- B = 12.5 mm
- C = 822 mm
- D = 400 mm

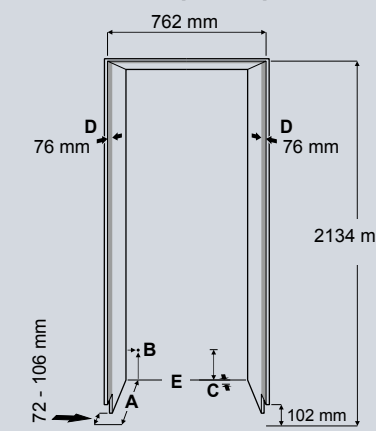
Dimension A = without fitted door handle

Recess dimensions

Individual plinth panel



Continuous plinth panel



A

Unit depth with overlay door panel installation: 635 mm with inset door panel installation: 635 mm + thickness of the custom panel. Further details on page 59.

B

Point at which the mains cable exits from the rear of the appliance (19 mm from the left and 127 mm from the floor). The free length of the mains cable is 2.5 m.

C

The appliance has a recess in this area for cable and water line routing: Depth is 25 mm, and height 140 mm across the entire appliance width.

D

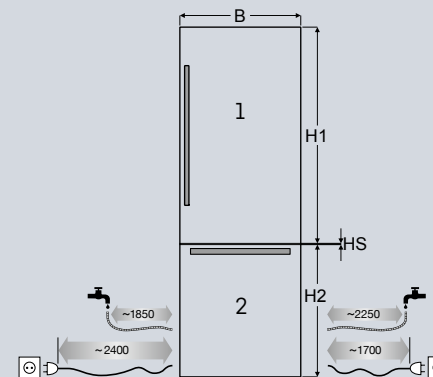
This surface is visible when the appliance door is opened. Designed finish is therefore recommended.

E

The anti-tipping device positioned at the base of the appliance must be secured to the floor or to the wall.

Door panel dimensions

and dimensions of free length for power / water



Inset installation

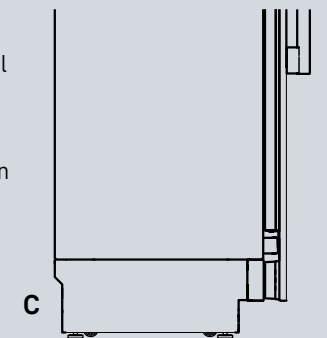
H1 = 1255 mm / H2 = 768 mm / HS = 6 mm / W = 756 mm

Overlay installation

H1 = 1258 mm (plus the dimensions of overlapping of the panel on the top)
 H2 = 768 mm
 HS = 6 mm
 W = 762 mm (plus the dimensions of overlapping of the panel on both sides)

Thickness of the panel: min. 16 mm* / max. 25 mm
 Weight of panel 1: max. 22 kg
 Weight of panel 2: max. 13 kg

Installations behind the appliance are not possible.



* When using fronts with a thickness of <16 mm, shorter screws than those provided in the accessory kit must be used.

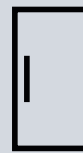
For further relevant planning and safety requirements, see pages 58-65.



~91,4~



ECBNdi 9971



ECBNdi 9970

Energy efficiency class	D
Energieverbrauch in kWh (Jahr / 24h)	271 / 0.742
Noise output in dB(A) / Noise class	37 / C
Total volume* in litres	514
Volume of refrigerator compartment in litres	242.6
Volume of BioFresh compartment in litres	87.1
Volume of freezer compartment in litres	184
Number of storage shelves, of which height-adjustable	3 / 2
Number of door racks	2
Number of FrostSafe drawers	2
Electronic control	InfinitySwipe
Automatic SuperCool function	yes
Automatic SuperFrost function	yes
Temperature range of refrigerator compartment in °C	+2°C to +7°C
Temperature range of freezer compartment in °C	-14°C to -27°C
Defrosting method	automatic
Interior lighting	InfinityLight
Integrated water dispenser / Fixed water connection 3/4"	InfinitySpring
Water filter	yes
IceMaker	fixed water connection 3/4"
Ice cube production in 24 h / in k	1.6
Ice cube storage capacity in kg	3.0
Door hinge	reversible**
Appliance dimensions in cm (H / W / D)	212.6 / 90.6 / 61
Recess dimensions in cm (H / W / D)	213.4 / 91.4 / 63.5
Net weight in kg	210.0
Voltage in V~ / Connected load in A	220-240 / 3.0

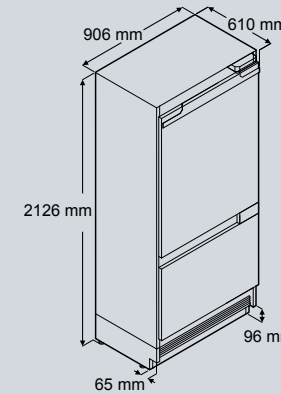
Bio Fresh Plus	No Frost	Duo Cooling	Fresh Air	Super Cool	Super Frost	Infinity Light	Infinity Beam	Infinity Spring	Ice Maker
Soft System	Soft telescopic	Infinity Swipe	Smart Device						

* In accordance with Regulation EU 2019/2016, we indicate the total volume to the nearest integer (rounded off) and the volume of the frozen compartments and refrigeration compartments to one place after the decimal point.
 ** Appliance door hinge left: ECBNdi 9971 / appliance door hinge right: ECBNdi 9970.
 Please contact the authorised Liebherr Monolith customer service for reversing the door hinge. You can find the full range of efficiency classes on page 66. As per (EU) 2017/1369 6a.

Accessories (page 50-55)

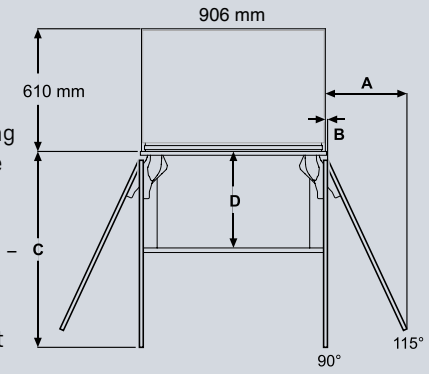
- Handle
- Stainless steel panel
- Stainless steel base covers
- Side-by-Side set

Appliance dimensions



IMPORTANT!

The adjustable feet are fully retracted for the minimum height stated. The appliance height is raised by turning the adjustable feet. Once the appliance has been positioned in the recess, it is raised using the adjustable feet – in each case from the front of the appliance – so that the appliance comes into contact with the anti-tipping device. To achieve the minimal plinth panel height of 102 mm, the adjustable feet have to be raised by 6 to 8 mm. If the plinth panel should be higher than 102 mm, the adjustable feet can be raised by a maximum of 19 mm.



Inset door panel

- A = 400 mm
- B = 12.5 mm
- C = 962 mm

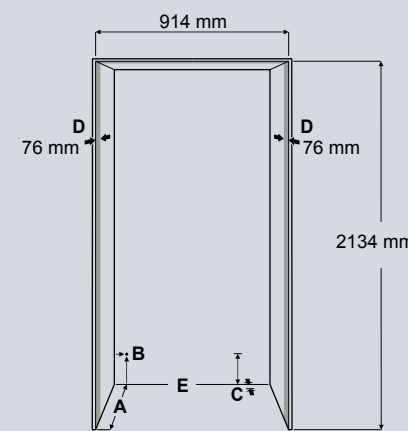
Overlay door panel

- A = 406 mm
- B = 12.5 mm
- C = 975 mm
- D = 400 mm

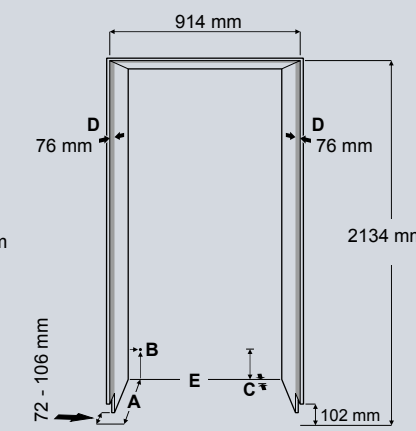
Dimension A = without fitted door handle

Recess dimensions

Individual plinth panel



Continuous plinth panel



A

Unit depth with overlay door panel installation: 635 mm with inset door panel installation: 635 mm + thickness of the custom panel. Further details on page 59.

B

Point at which the mains cable exits from the rear of the appliance (19 mm from the left and 127 mm from the floor). The free length of the mains cable is 2.5 m.

C

The appliance has a recess in this area for cable and water line routing: Depth is 25 mm, and height 140 mm across the entire appliance width.

D

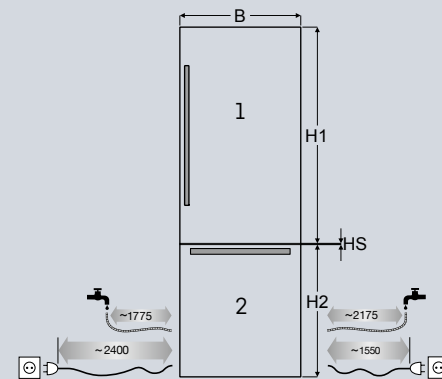
This surface is visible when the appliance door is opened. Designed finish is therefore recommended.

E

The anti-tipping device positioned at the base of the appliance must be secured to the floor or to the wall.

Door panel dimensions

and dimensions of free length for power / water



Inset installation

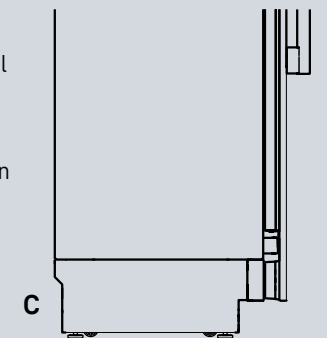
H1 = 1255 mm / H2 = 768 mm / HS = 6 mm / W = 908 mm

Overlay installation

H1 = 1258 mm (plus the dimensions of overlapping of the panel on the top)
 H2 = 768 mm
 HS = 6 mm
 W = 914 mm (plus the dimensions of overlapping of the panel on both sides)

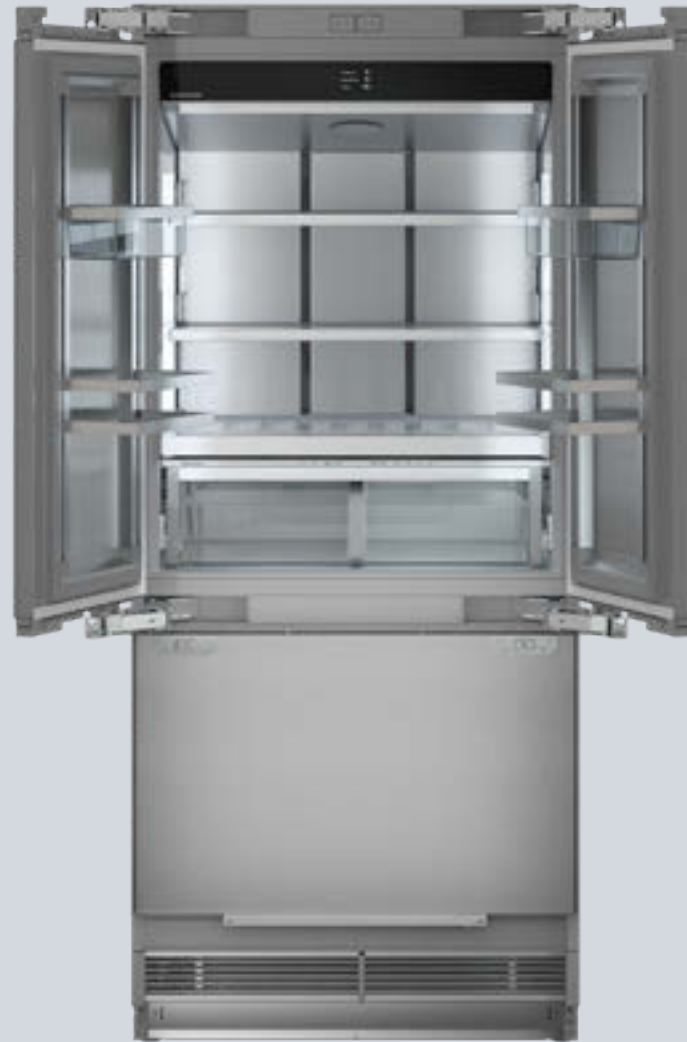
Thickness of the panel: min. 16 mm* / max. 25 mm
 Weight of panel 1: max. 25 kg
 Weight of panel 2: max. 15 kg

Installations behind the appliance are not possible.



* When using fronts with a thickness of <16 mm, shorter screws than those provided in the accessory kit must be used.

For further relevant planning and safety requirements, see pages 58-65.



←91,4→

ECBNei 9972

Energy efficiency class	E
Energieverbrauch in kWh (Jahr / 24h)	431/1.180
Noise output in dB(A) / Noise class	37 / C
Total volume* in litres	510
Volume of refrigerator compartment in litres	239.6
Volume of BioFresh compartment in litres	86.8
Volume of freezer compartment in litres	184
Number of storage shelves, of which height-adjustable	3 / 2
Number of door racks	4
Number of FrostSafe drawers	2
Electronic control	InfinitySwipe
Automatic SuperCool function	yes
Automatic SuperFrost function	yes
Temperature range of refrigerator compartment in °C	+2°C to +7°C
Temperature range of freezer compartment in °C	-14°C to -27°C
Defrosting method	automatic
Interior lighting	InfinityLight
Integrated water dispenser / Fixed water connection 3/4"	InfinitySpring
Water filter	yes
IceMaker	fixed water connection 3/4"
Ice cube production in 24 h / in k	1.4
Ice cube storage capacity in kg	3.0
Door hinge	left, fixed / right, fixed
Appliance dimensions in cm (H / W / D)	212.6 / 90.6 / 61
Recess dimensions in cm (H / W / D)	213.4 / 91.4 / 63.5
Net weight in kg	190.0
Voltage in V~ / Connected load in A	220-240 / 3.0

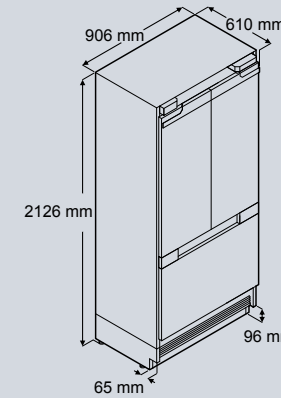
Bio Fresh Plus	No Frost	Duo Cooling	Super Cool	Super Frost	Infinity Light	Infinity Beam	Infinity Spring	Ice Maker	Soft System
Soft Telescopic	Infinity Swipe	Smart Device							

* In accordance with Regulation EU 2019/2016, we indicate the total volume to the nearest integer (rounded off) and the volume of the frozen compartments and refrigeration compartments to one place after the decimal point.
You can find the full range of efficiency classes on page 66. As per (EU) 2017/1369 6a.

Accessories (page 50-55)

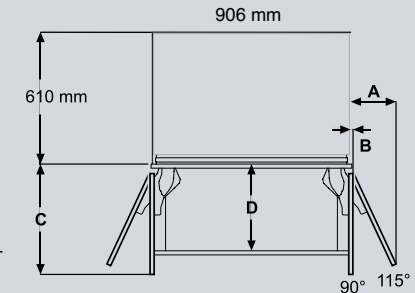
- Handle
- Stainless steel panel
- Stainless steel base covers
- Side-by-Side set

Appliance dimensions



IMPORTANT!

The adjustable feet are fully retracted for the minimum height stated. The appliance height is raised by turning the adjustable feet. Once the appliance has been positioned in the recess, it is raised using the adjustable feet - in each case from the front of the appliance - so that the appliance comes into contact with the anti-tipping device. To achieve the minimal plinth panel height of 102 mm, the adjustable feet have to be raised by 6 to 8 mm. If the plinth panel should be higher than 102 mm, the adjustable feet can be raised by a maximum of 19 mm.



Inset door panel

- A = 210 mm
- B = 12.5 mm
- C = 510 mm

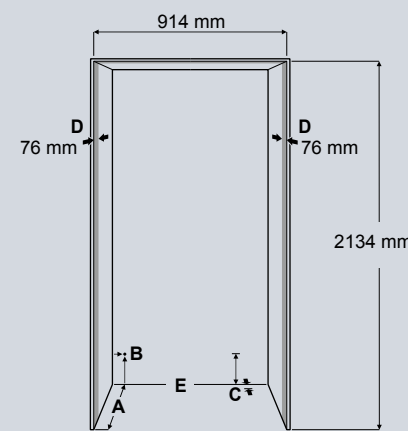
Overlay door panel

- A = 210 mm
- B = 12.5 mm
- C = 510 mm
- D = 400 mm

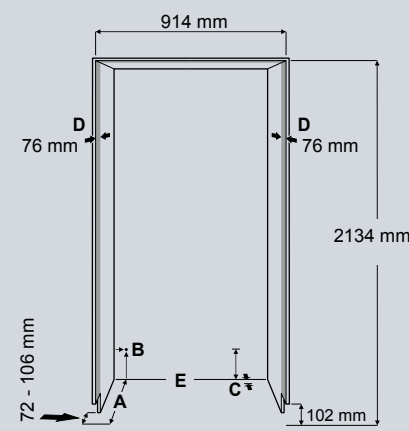
Dimension A = without fitted door handle

Recess dimensions

Individual plinth panel



Continuous plinth panel



A

Unit depth with overlay door panel installation: 635 mm with inset door panel installation: 635 mm + thickness of the custom panel. Further details on page 59.

B

Point at which the mains cable exits from the rear of the appliance (19 mm from the left and 127 mm from the floor). The free length of the mains cable is 2.5 m.

C

The appliance has a recess in this area for cable and water line routing: Depth is 25 mm, and height 140 mm across the entire appliance width.

D

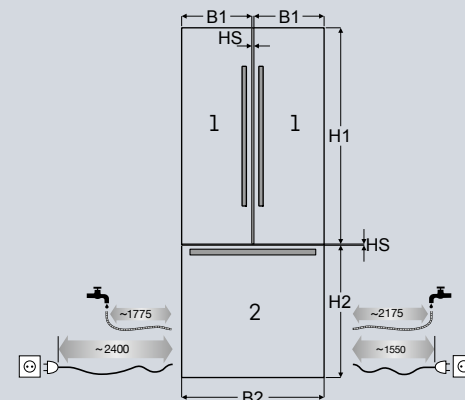
This surface is visible when the appliance door is opened. Designed finish is therefore recommended.

E

The anti-tipping device positioned at the base of the appliance must be secured to the floor or to the wall.

Door panel dimensions

and dimensions of free length for power / water



Inset installation

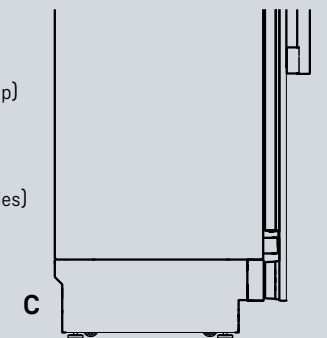
H1 = 1255 mm / H2 = 768 mm / HS = 6 mm
W1 = 451 mm / W2 = 908 mm

Overlay installation

H1 = 1258 mm (plus the dimensions of overlapping of the panel on the top)
H2 = 768 mm
HS = 6 mm
W1 = 454 mm (plus the dimensions of overlapping of the panel exterior)
W2 = 914 mm (plus the dimensions of overlapping of the panel on both sides)

Thickness of the panel: min. 16 mm* / max. 25 mm
Weight of panel 1: max. 13 kg each
Weight of panel 2: max. 15 kg

Installations behind the appliance are not possible.



* When using fronts with a thickness of <16 mm, shorter screws than those provided in the accessory kit must be used.

For further relevant planning and safety requirements, see pages 58-65.

Wine cabinets

EFNei9671 | EWPi 9670 | ERBdi 9770



InfinityLight

Monolith's integrated LED side wall lighting casts a beautiful and even glow throughout the space. InfinityLight includes a soft brightening effect upon opening the doors and the lighting can be fine-tuned according to your personal taste. The InfinityLight LED technology emits less heat and is more efficient than traditional lighting, preserving both your wines and the environment.



Aluminium labelling strip

The aluminium labelling strip brings structure to your wine collection. The label for each stored wine can be applied directly to the aluminium labelling strip. This gives you a good overview of your wine supply.



InfinitySwipe

The Monolith's intuitive InfinitySwitch touch control makes it very easy to control every function in the wine cabinet. The bright and clear 3.5 inch touch & swipe display shows up to three temperatures for wine cabinets with multiple zones.



InfinityProtection

In order to protect the wines from strong temperature fluctuations, the Monolith wine cabinets have two temperature sensors in each wine safe. Only Liebherr offers this function. As soon as the InfinityProtection sensors register a critical temperature change, there is an immediate notification in order to protect the wines from becoming too warm or too cold.



FreshAir activated charcoal filter

Your wine collections deserve the best air quality. That's why the Monolith has a FreshAir activated charcoal filter in each wine safe. This ensures that your treasured wines are always well protected. The incoming air is cleaned and unpleasant odours are filtered out.



SoftSystem

The Monolith's SoftSystem technology ensures that the doors close particularly gently every time. This avoids vibrations due to slamming doors, so that the wine bottles are optimally protected.



SoftTelescopic

The Monolith's high-quality wooden shelves sit on smooth-running telescopic rails with a self-closing mechanism and soft closing damping. Additional wooden bars enable you to adapt the interior in the best possible way to your assortment of variously sized wine and champagne bottles. Now all the bottles in your wine collection can be optimally accommodated and the possibilities of the wine cabinet can be completely utilised.



InfinityBoard

A special feature of the Monolith wine cabinet is the InfinityBoard. On the pull-out shelf, bottles can be stored temporarily while the wine collection is being sorted or added to. Serving is also easier: the wine can be opened and tasted directly at the Monolith.

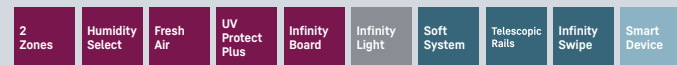


EWPI 9471



EWPI 9470

Energy efficiency class	G
Energy consumption in kWh (year / 24h)	154 / 0.421
Noise output in dB(A) / Noise class	37 / C
Total volume* in litres	232
Max. Bordeaux bottles (0.75 l)	75
Number of storage shelves	9
of which on telescopic rails	9
InfinityBoard	yes
Storage shelf material	aluminium / beech
Electronic control system	InfinitySwipe
Temperature range in °C	+5 °C to +20 °C
Temperature zones	2
Temperature alarm	visual and audible
Interior lighting	InfinityLight
Door alarm	audible
Safety thermostat	yes
FreshAir activated charcoal filter	yes
Door type	insulated glass door
Door hinge	reversible**
Appliance dimensions in cm (H / W / D)	212.6 / 45 / 61
Recess dimensions in cm (H / W / D)	213.4 / 45.7 / 63.5
Net weight in kg	132.0
Voltage in V~ / Connected load in A	220-240 / 1.5

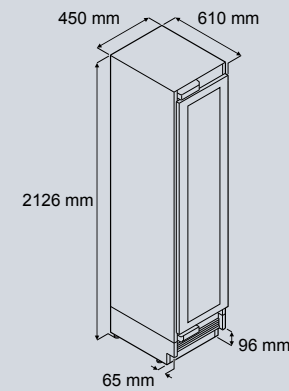


* In accordance with Regulation EU 2019/2016, we indicate the total volume to the nearest integer (rounded off) and the volume of the frozen compartments and refrigeration compartments to one place after the decimal point.
 ** Appliance door hinge left: EWPI 9471 / appliance door hinge right: EWPI 9470.
 Please contact the authorised Liebherr Monolith customer service for reversing the door hinge.
 You can find the full range of efficiency classes on page 66. As per (EU) 2017/1369 6a.

Accessories (page 50-55)

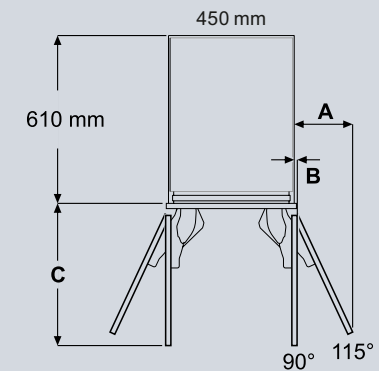
- Handle
- Stainless steel panel
- Stainless steel base covers
- Side-by-Side set

Appliance dimensions



IMPORTANT!

The adjustable feet are fully retracted for the minimum height stated. The appliance height is raised by turning the adjustable feet. Once the appliance has been positioned in the recess, it is raised using the adjustable feet – in each case from the front of the appliance – so that the appliance comes into contact with the anti-tipping device. To achieve the minimal plinth panel height of 102 mm, the adjustable feet have to be raised by 6 to 8 mm. If the plinth panel should be higher than 102 mm, the adjustable feet can be raised by a maximum of 19 mm.



Inset door panel

- A = 210 mm
- B = 12.5 mm
- C = 505 mm

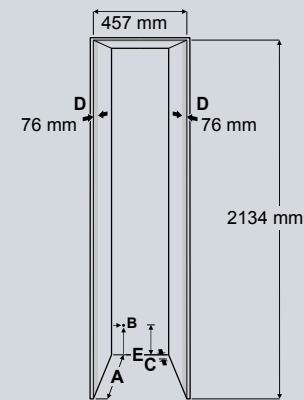
Overlay door panel

- A = 216 mm
- B = 12.5 mm
- C = 517 mm

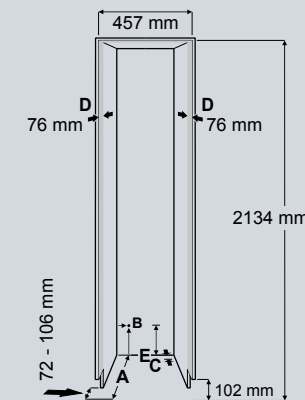
Dimension A = without fitted door handle

Recess dimensions

Individual plinth panel



Continuous plinth panel



A

Unit depth
 with overlay door panel installation: 635 mm
 with inset door panel installation: 635 mm + thickness of the custom panel. Further details on page 59.

B

Point at which the mains cable exits from the rear of the appliance (19 mm from the left and 127 mm from the floor). The free length of the mains cable is 2.5 m.

C

The appliance has a recess in this area for cable and water line routing: Depth is 25 mm, and height 140 mm across the entire appliance width.

D

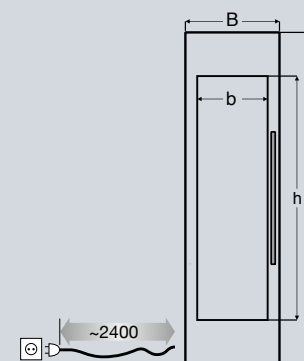
This surface is visible when the appliance door is opened. Designed finish is therefore recommended.

E

The anti-tipping device positioned at the base of the appliance must be secured to the floor or to the wall.

Door panel dimensions

and dimensions of free length for power



Inset installation

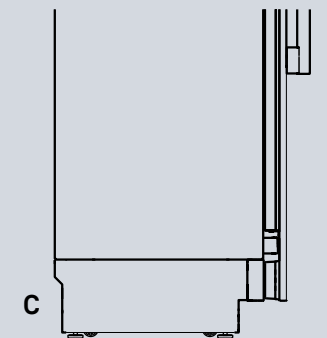
H = 2029 mm / h = 1495 mm
 W = 451 mm / w = 280 mm

Overlay installation

H = 2032 mm
 (plus the dimensions of overlapping of the panel on the top)
 W = 457 mm
 (plus the dimensions of overlapping of the panel on both sides)

Thickness of the panel: min. 16 mm* / max. 25 mm
 Weight of panel: max. 25 kg

Installations behind the appliance are not possible.



* When using fronts with a thickness of <16 mm, shorter screws than those provided in the accessory kit must be used.

For further relevant planning and safety requirements, see pages 58-65.

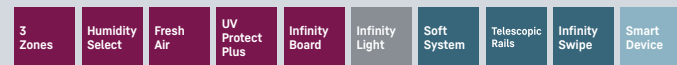


EWPi 9671



EWPi 9670

Energy efficiency class	G
Energy consumption in kWh (year / 24h)	180 / 0.493
Noise output in dB(A) / Noise class	37 / C
Total volume* in litres	320
Max. Bordeaux bottles (0.75 l)	100
Number of storage shelves	9
of which on telescopic rails	9
InfinityBoard	yes
Storage shelf material	aluminium / beech
Electronic control system	InfinitySwipe
Temperature range in °C	+5 °C to +20 °C
Temperature zones	3
Temperature alarm	visual and audible
Interior lighting	InfinityLight
Door alarm	audible
Safety thermostat	yes
FreshAir activated charcoal filter	yes
Door type	insulated glass door
Door hinge	reversible**
Appliance dimensions in cm (H / W / D)	212.6 / 60.2 / 61
Recess dimensions in cm (H / W / D)	213.4 / 61 / 63.5
Net weight in kg	150.0
Voltage in V~ / Connected load in A	220-240 / 1.5

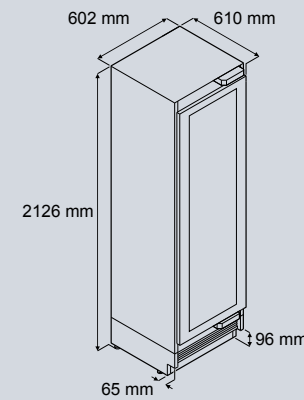


* In accordance with Regulation EU 2019/2016, we indicate the total volume to the nearest integer (rounded off) and the volume of the frozen compartments and refrigeration compartments to one place after the decimal point.
 ** Appliance door hinge left: EWPi 9671 / appliance door hinge right: EWPi 9670.
 Please contact the authorised Liebherr Monolith customer service for reversing the door hinge. You can find the full range of efficiency classes on page 66. As per (EU) 2017/1369 6a.

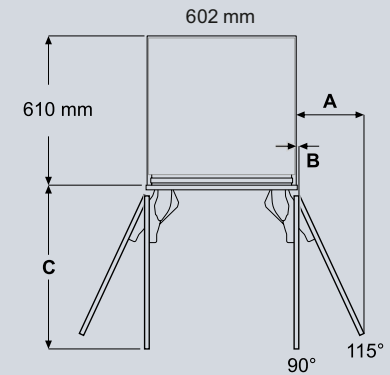
Accessories (page 50-55)

- Handle
- Stainless steel panel
- Stainless steel base covers
- Side-by-Side set

Appliance dimensions



IMPORTANT!
 The adjustable feet are fully retracted for the minimum height stated. The appliance height is raised by turning the adjustable feet. Once the appliance has been positioned in the recess, it is raised using the adjustable feet – in each case from the front of the appliance – so that the appliance comes into contact with the anti-tipping device. To achieve the minimal plinth panel height of 102 mm, the adjustable feet have to be raised by 6 to 8 mm. If the plinth panel should be higher than 102 mm, the adjustable feet can be raised by a maximum of 19 mm.



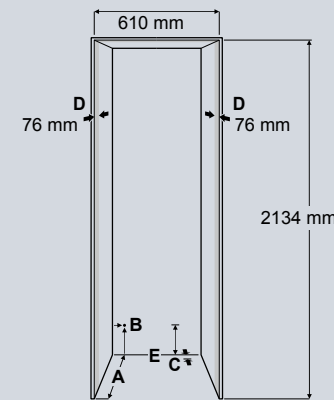
Inset door panel
 A = 273 mm
 B = 12.5 mm
 C = 658 mm

Overlay door panel
 A = 279 mm
 B = 12.5 mm
 C = 670 mm

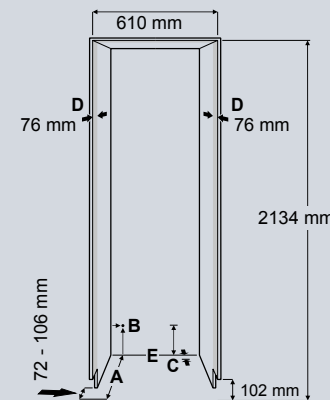
Dimension A = without fitted door handle

Recess dimensions

Individual plinth panel



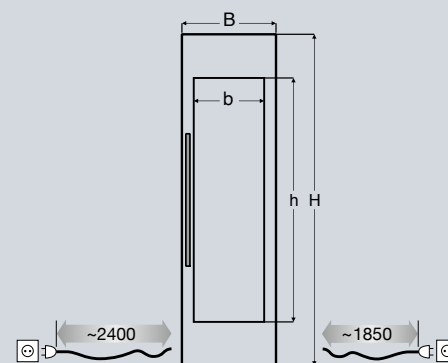
Continuous plinth panel



- A** Unit depth
 with overlay door panel installation: 635 mm
 with inset door panel installation: 635 mm + thickness of the custom panel. Further details on page 59.
- B** Point at which the mains cable exits from the rear of the appliance (19 mm from the left and 127 mm from the floor). The free length of the mains cable is 2.5 m.
- C** The appliance has a recess in this area for cable and water line routing: Depth is 25 mm, and height 140 mm across the entire appliance width.
- D** This surface is visible when the appliance door is opened. Designed finish is therefore recommended.
- E** The anti-tipping device positioned at the base of the appliance must be secured to the floor or to the wall.

Door panel dimensions

and dimensions of free length for power

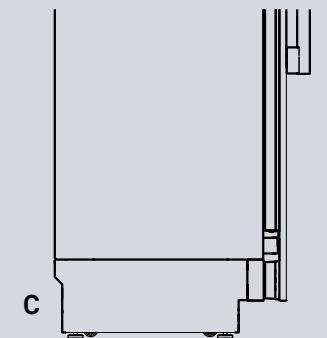


Inset installation
 H = 2029 mm / h = 1495 mm
 W = 603 mm / w = 432 mm

Overlay installation
 H = 2032 mm
 (plus the dimensions of overlapping of the panel on the top)
 W = 610 mm
 (plus the dimensions of overlapping of the panel on both sides)

Thickness of the panel: min. 16 mm* / max. 25 mm
 Weight of panel: max. 30 kg

Installations behind the appliance are not possible.



* When using fronts with a thickness of <16 mm, shorter screws than those provided in the accessory kit must be used.

For further relevant planning and safety requirements, see pages 58-65.

Accessories

Stainless steel panels	Dimensions	Item number	ERBdi	ERBdi	ERBdi	EFNei	EFNei	EFNei
			9670 / 9671	9770 / 9771	9970 / 9971	9470 / 9471	9670 / 9671	9770 / 9771
Refrigerators and freezers, 45.7 cm	2029 mm x 451 mm x 19 mm Weight: 18.4 kg	9901 916				■		
Refrigerators and freezers, 61.0 cm	2029 mm x 603 mm x 19 mm Weight: 24 kg	9901 883	■				■	
Refrigerators and freezers, 76.2 cm	2029 mm x 756 mm x 19 mm Weight: 28 kg	9901 872		■				■
Refrigerators and freezers, 91.4 cm	2029 mm x 908 mm x 19 mm Weight: 32 kg	9901 458			■			
Wine cabinets, 45.7 cm	2029 mm x 451 mm x 19 mm Weight: 10 kg	9901 535						
Wine cabinets, 61.0 cm	2029 mm x 603 mm x 19 mm Weight: 11.3 kg	9901 533						

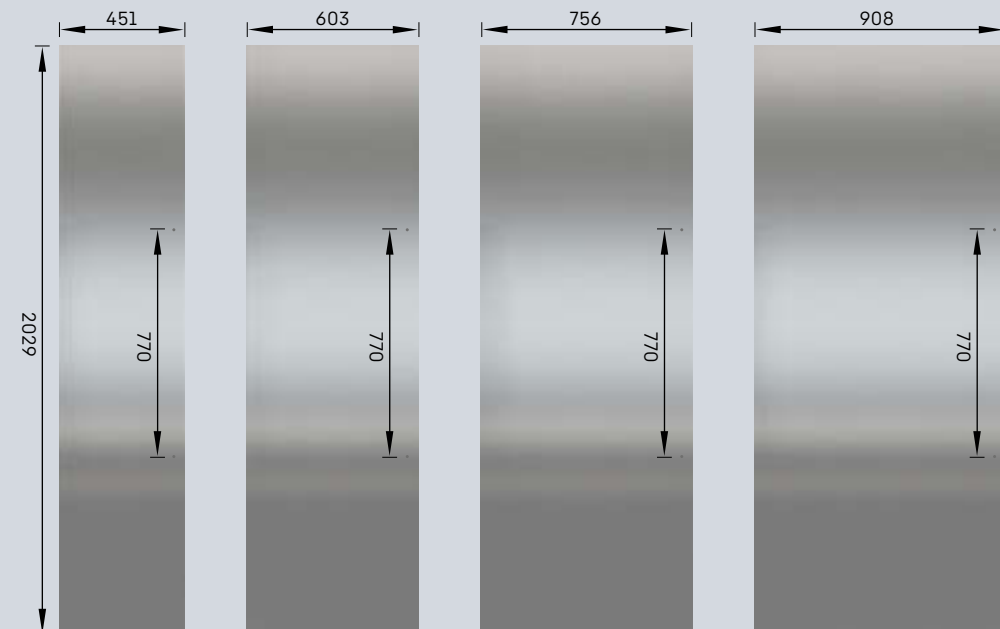
Stainless steel panels	Dimensions	Item number	EFNei	EWPi	EWPi
			9970 / 9971	9470 / 9471	9670 / 9671
Refrigerators and freezers, 45.7 cm	2029 mm x 451 mm x 19 mm Weight: 18.4 kg	9901 916			
Refrigerators and freezers, 61.0 cm	2029 mm x 603 mm x 19 mm Weight: 24 kg	9901 883			
Refrigerators and freezers, 76.2 cm	2029 mm x 756 mm x 19 mm Weight: 28 kg	9901 872			
Refrigerators and freezers, 91.4 cm	2029 mm x 908 mm x 19 mm Weight: 32 kg	9901 458	■		
Wine cabinets, 45.7 cm	2029 mm x 451 mm x 19 mm Weight: 10 kg	9901 535		■	
Wine cabinets, 61.0 cm	2029 mm x 603 mm x 19 mm Weight: 11.3 kg	9901 533			■

The holes for fitting the handle have been drilled centrally with a spacing of 770 mm in order that the stainless steel panel can be turned by 180° in the event that a door hinge is changed.

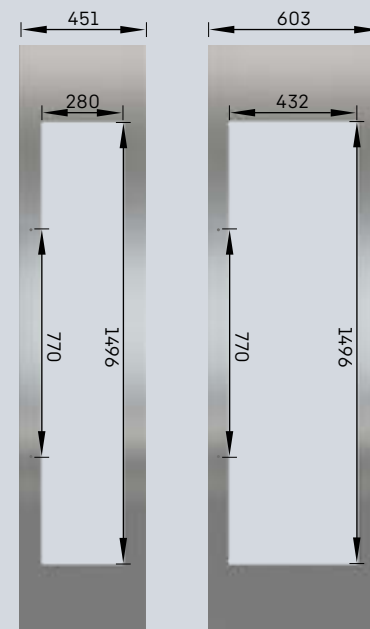
Stainless steel panel set	Dimensions	Item number	ECBNei	ECBNdi	ECBNei
			9770 / 9771	9970 / 9971	9972
Stainless steel panels LargeDoor (2-part set), 76.2 cm	Refrigerator front: 756 mm x 1255 mm x 19 mm, Weight: 17,8 kg Freezer front: 756 mm x 768 mm x 19 mm, Weight: 11 kg	9903 020	■		
Stainless steel panels LargeDoor (2-part set), 91.4 cm	Refrigerator front: 908 mm x 1255 mm x 19 mm, Weight: 21,4 kg Freezer front: 908 mm x 768 mm x 19 mm, Weight: 13,8 kg	9903 019		■	
Stainless steel panels FrenchDoor (3-part set), 91.4 cm	Refrigerator front each door: 451 mm x 1255 mm x 19 mm, Weight: 11 kg Freezer front: 908 mm x 768 mm x 19 mm, Weight: 13,8 kg	9903 022			■

The holes for fitting the handle have been drilled centrally with a spacing of 770 mm in order that the stainless steel panel can be turned by 180° in the event that a door hinge is changed. On the freezer compartment panel of the unit ECBNei 9770/9771, the distance of the holes is 618 mm.

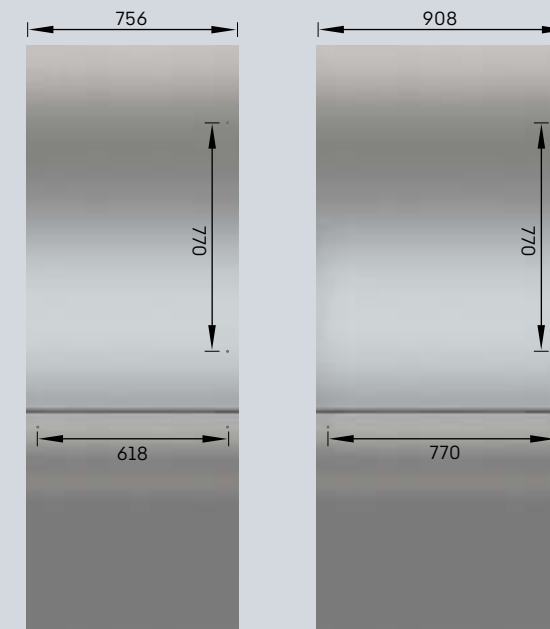
Refrigerators and freezers



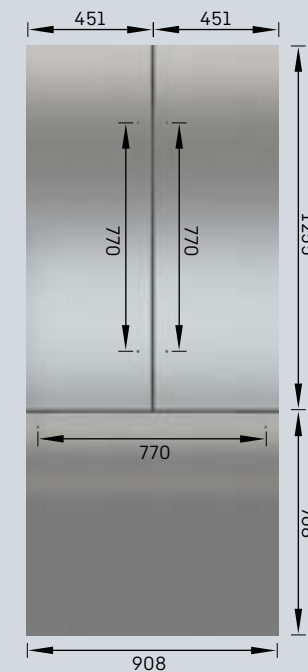
Wine cabinets



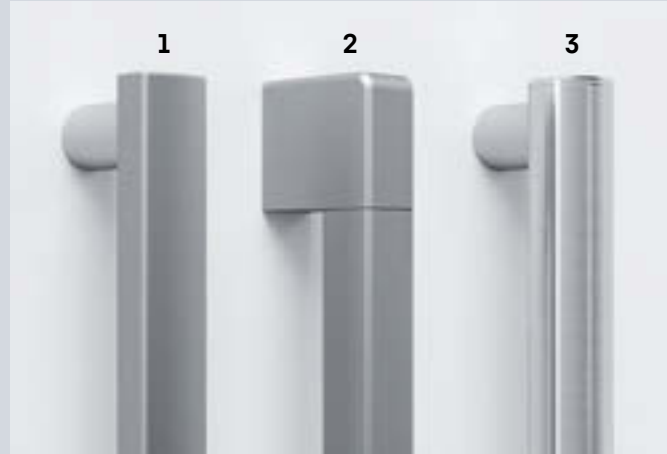
LargeDoor (2-part set)



FrenchDoor (3-part set)



Accessories



- 1 Flat handle, brushed aluminium
- 2 Square handle, brushed aluminium
- 3 Round handle, stainless steel

Handles	Dimensions	Item number	ERBdi 9670 / 9671	ERBdi 9770 / 9771	ERBdi 9970 / 9971	EFNei 9470 / 9471	EFNei 9670 / 9671	EFNei 9770 / 9771
Flat brushed aluminium handle 810 mm	Depth: 48 mm Weight: 1.0 kg	9901 461	■	■	■	■	■	■
Flat brushed aluminium handle 658 mm	Depth: 48 mm Weight: 0.9 kg	9901 549						
Square brushed aluminium handle 810 mm	Depth: 55 mm Weight: 2.3 kg	9901 492	■	■	■	■	■	■
Square brushed aluminium handle 658 mm	Depth: 55 mm Weight: 2.2 kg	9901 924						
Round stainless steel handle 810 mm	Depth: 56 mm Weight: 1.1 kg	9904 680	■	■	■	■	■	■
Round stainless steel handle 658 mm	Depth: 56 mm Weight: 0.9 kg	9904 703						

Handles	Dimensions	Item number	EFNei 9970 / 9971	ECBNei 9770 / 9771	ECBNdi 9970 / 9971	ECBNei 9972	EWPi 9470 / 9471	EWPi 9670 / 9671
Flat brushed aluminium handle 810 mm	Depth: 48 mm Weight: 1.0 kg	9901 461	■	■ *	■	■	■	■
Flat brushed aluminium handle 658 mm	Depth: 48 mm Weight: 0.9 kg	9901 549		■ **				
Square brushed aluminium handle 810 mm	Depth: 55 mm Weight: 2.3 kg	9901 492	■	■ *	■	■	■	■
Square brushed aluminium handle 658 mm	Depth: 55 mm Weight: 2.2 kg	9901 924		■ **				
Round stainless steel handle 810 mm	Depth: 56 mm Weight: 1.1 kg	9904 680	■	■ *	■	■	■	■
Round stainless steel handle 658 mm	Depth: 56 mm Weight: 0.9 kg	9904 703		■ **				

Fixing screws are included in the delivery. The distance between the two screw holes is 770 mm, except for the freezer compartment of the ECBN 97, where the distance is 618 mm.

- * suitable for fridge compartment
- ** suitable for freezer compartment



Stainless steel plinth panels	Dimensions	Item number	According to SBS combination	ERBdi 9670 / 9671	ERBdi 9770 / 9771	ERBdi 9970 / 9971	EFNei 9470 / 9471	EFNei 9670 / 9671	EFNei 9770 / 9771
	45.7	9901 493					■		
	61.0	9901 496		■				■	
	76.2	9901 530			■				■
	91.4	9902 349	■			■			
	106.7	9901 552	■						
	121.9	9901 765	■						
	137.1	9901 787	■						
	152.4	9902 366	■						
	167.6	9902 819	■						
	182.8	9902 390	■						

Stainless steel plinth panels	Dimensions	Item number	According to SBS combination	EFNei 9970 / 9971	ECBNei 9770 / 9771	ECBNdi 9970 / 9971	ECBNei 9972	EWPi 9470 / 9471	EWPi 9670 / 9671
	45.	9901 493						■	
	61.0	9901 496							■
	76.2	9901 530			■				
	91.4	9902 349	■	■		■	■		
	106.7	9901 552	■						
	121.9	9901 765	■						
	137.1	9901 787	■						
	152.4	9902 366	■						
	167.6	9902 819	■						
	182.8	9902 390	■						

Stainless steel base covers (height: 102 mm), screw-free assembly.

Accessories

Side-by-Side set	Item number	for all Monolith SBS combinations
	9901 428	▪

The Side-by-Side sets include sidewall heater to prevent condensation between appliances as well as metal brackets and screws for connecting the appliances. Decorative trim is also included for covering the gap (approx. 6-8 mm) between the two appliances installed. No additional mains connection is required for the sidewall heater, a slot is provided for this on the rear of the appliance. The use of the Side-by-Side set increases the energy consumption by 0.4 kWh / 24 for two units, and by 0.8 kWh / 24 h for three units.



Sidewall heater	Item number	for all Monolith SBS combinations
	9903 061	▪

The sidewall heater prevents the formation of condensation when installing Side-by-Side units in separate unit carcasses and must be used if the distance between two integrated units is less than 102 mm.

Door hinge exchange set	Item number	According to SBS combination	ERBdi 9670 / 9671	ERBdi 9770 / 9771	ERBdi 9970 / 9971	EFNei 9470 / 9471	EFNei 9670 / 9671	EFNei 9770 / 9771
	9902 399	▪	▪	▪	▪	▪	▪	▪

Door hinge exchange set	Item number	According to SBS combination	EFNei 9970 / 9971	ECBNei 9770 / 9771	ECBNdi 9970 / 9971	EWPi 9470 / 9471	EWPi 9670 / 9671
	9902 399	▪	▪	▪	▪	▪	▪

To exchange hinges assembled ex works. Reversals to be performed by a Liebherr authorised engineer.

Anti-tipping device	Item number	ERBdi 9670 / 9671	ERBdi 9770 / 9771	ERBdi 9970 / 9971	EFNei 9470 / 9471	EFNei 9670 / 9671	EFNei 9770 / 9771
	9903 038 00				▪		
	9903 040 00	▪				▪	
	9903 041 00		▪				▪
	9903 042 00			▪			

Anti-tipping device	Item number	EFNei 9970 / 9971	ECBNei 9770 / 9771	ECBNdi 9970 / 9971	ECBNei 9972	EWPi 9470 / 9471	EWPi 9670 / 9671
	9903 038 00					▪	
	9903 040 00						▪
	9903 041 00		▪				
	9903 042 00	▪		▪	▪		



FlexSystem	Dimensions in mm D/W/H	Item number	ERBdi 9670 / 9671	ERBdi 9770 / 9771	ERBdi 9970 / 9971	EFNei 9470 / 9471	EFNei 9670 / 9671	EFNei 9770 / 9771	EFNei 9970 / 9971
	372 x 223 x 170	9904 678	▪	▪	▪	▪	▪	▪	▪

Filters	Item number	ERBdi 9670 / 9671	ERBdi 9770 / 9771	ERBdi 9970 / 9971	EFNei 9470 / 9471	EFNei 9670 / 9671	EFNei 9770 / 9771
FreshAir activated charcoal filter	9882 471	▪	▪	▪			
FreshAir activated charcoal filter (2 pieces)	9881 116	▪	▪	▪			
FreshAir activated charcoal filter and water filter set	9903 047		▪	▪			
Water filter	9880 980		▪	▪	▪	▪	▪

Filters	Item number	EFNei 9970 / 9971	ECBNei 9770 / 9771	ECBNdi 9970 / 9971	ECBNei 9972	EWPi 9470 / 9471	EWPi 9670 / 9671
FreshAir activated charcoal filter	9882 471		▪	▪	▪	▪	▪
FreshAir activated charcoal filter (2 pieces)	9881 116					▪	
FreshAir activated charcoal filter (3 pieces)	9882 304						▪
FreshAir activated charcoal filter and water filter set	9903 047		▪	▪	▪		
Water filter	9880 980	▪	▪	▪	▪		

Ice	Item number	EFNei 9470 / 9471	EFNei 9670 / 9671	EFNei 9770 / 9771	EFNei 9970 / 9971	ECBNei 9770 / 9771	ECBNdi 9970 / 9971	ECBNei 9972
Ice cube scoop, stainless steel	9901 841	▪	▪	▪	▪	▪	▪	▪
Ice cube scoop, plastic	7421 593	▪	▪	▪	▪	▪	▪	▪
Ice cube tongs, stainless steel	9901 871	▪	▪	▪	▪	▪	▪	▪

Cleaning & care	Item number	for all Monolith models	Wine	Item number	EWPi 9470 / 9471	EWPi 9670 / 9671
Stainless steel care product 250 ml	8409 030	▪	Stainless steel bottle presenter	9882 303	▪	▪
Stainless steel cleaner 250 ml	8409 022	▪	Set of 3 bars for wooden shelf	9903 024	▪	▪

Side-by-Side combinations

The Monolith series offers a range of options for your new dream kitchen, as a stand-alone unit or a Side-by-Side combination, consisting of two or more appliances. Discreetly installed behind the respective kitchen panels or as a visible design highlight enhanced with matt polish stainless steel panels and selected handles, the possibilities for optimal storage of foods and wine are endless. Some common combinations are listed below as an example.

The Side-by-Side set on page 54 is required if there is less than 102 mm spacing between appliances. You will find detailed information on the cut-out dimensions for the niches on the next page.

Examples

(all appliances shown feature stainless steel panels and square brushed aluminium handles, as well as the Side-by-Side set, which are available as accessories)

Cut-out width 106.7 cm



EFNei 9471 | Side-by-Side set | ERBdi 9670

Cut-out width 121.9 cm



EWPi 9471 | Side-by-Side set | ECBNei 9770

Cut-out width 182.9 cm



ECBNdi 9971 | Side-by-Side set | ECBNdi 9970

Cut-out width 213.4 cm



EFNei 9771 | Side-by-Side set | EWPi 9670 | Side-by-Side set | ERBdi 9770

Cut-out width 137.2 cm



EWPi 9671 | Side-by-Side set | ERBdi 9770

Cut-out width 152.4 cm



EFNei 9771 | Side-by-Side set | ERBdi 9770

Cut-out width 243.8 cm



ECBNdi 9971 | Side-by-Side set | EWPi 9670 | Side-by-Side set | ECBNdi 9970

Cut-out width 274.3 cm



EWPi 9471 | Side-by-Side set | EFNei 9971 | Side-by-Side set | ERBdi 9970 | Side-by-Side set | EWPi 9470

Planning information

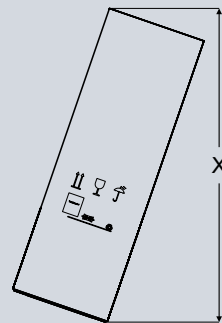
Installation space requirements

The space in which the appliance is to be installed must meet the following requirements:

- The floor must be capable of bearing the weight of the appliance plus – depending on the net capacity of the model – approx. min. 218 kg to max. 544 kg of food. In case of doubt, consult an architect or construction specialist.
- To ensure that the appliance is installed safely and functions properly, the surface must be level and even. The substrate must be made of a hard, rigid material. The floor in the installation area must be at the same height as the rest of the room. The appliance must be underlaid or levelled to floor level to ensure that the ventilation openings are clear.
- The recess dimensions in the installation location have been correctly measured.
- The power socket is located in the correct position.
- Appliance height incl. packaging and pallet: 2285 mm

To transport the Monolith to the installation site, the door heights on the transport route with the packaged appliance in a tilted position must be taken into account:

Model	Max. height (mm)
EFNei 9471 EFNei 9671 ERBdi 9670 EWPI 9471 EWPI 9670	2276
EFNei 9771 ERBdi 9770 ECBNei 9770	2326
EFNei 9971 ERBdi 9970 ECBNdi 9970 ECBNei 9972	2384



The appliance should only be installed next to Liebherr refrigerators, freezers or wine cabinets. The Liebherr models are designed to be set up Side-by-Side. A Side-by-Side set is necessary for this (for separate accessories, see page 54). If a Monolith appliance is installed next to another refrigerator, freezer or wine cabinet, this may result in condensation or damage the Liebherr appliance.

IMPORTANT

In order to prevent potential damage to the appliance, the appliance should be left to stand for one hour in the installation location before switching on in order that the fluids in the coolant and lubrication system can be distributed evenly.

Recess requirements

When planning the recess and secure installation, it is important to make sure that the top and carcass walls line up flush with the appliance at a depth of at least 102 mm from the outside edge and are comprised of appropriately thick material (at least 16 mm).

Because the unit recess is partially visible when the appliance door is opened, it should be ensured that the inside matches the unit surface at the top and at the side and also has a minimum depth of 76 mm. Because the carcass sides are visible, designed carcass finishes from the kitchen manufacturer are recommended.

Monolith appliances are designed for flush installation in units with a depth of 635 mm with stainless steel panels or customer-specific panels, according to the design of the kitchen, available as an accessory.

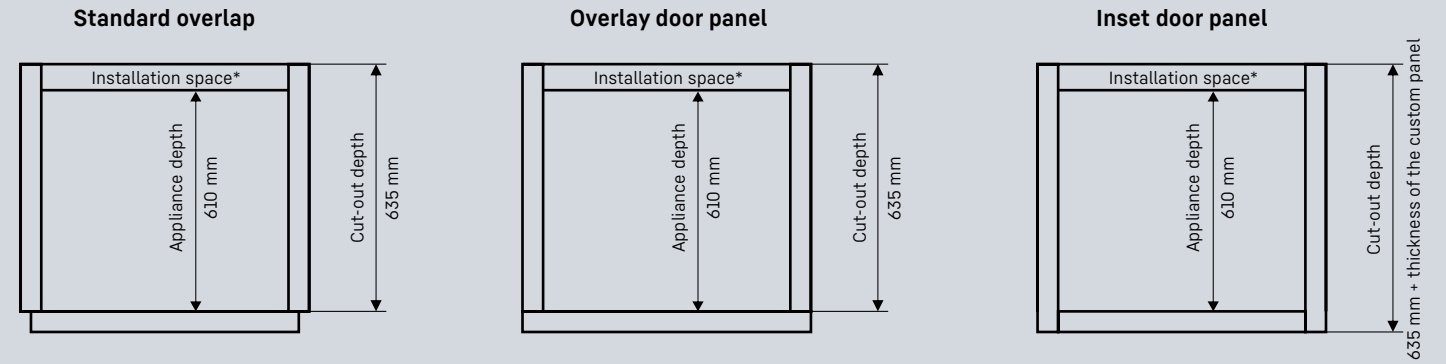
For customer-specific custom panels, it must also be ensured that the maximal permitted panel weight for the door hinge of the respective model is not exceeded. If the maximum panel weight is not exceeded, other materials made of wood with a maximum thickness of 25 mm can also be used.

The scope of supply of the Monolith appliances includes a decorative trim for covering the gap between the appliance and side walls of the fitted unit.

The depth of the Monolith appliances is 610 mm, which means that they may be installed without difficulty in a fitted unit of standard European depth (610 mm) but also in deeper cut-outs of 635 mm in order to provide flexible installation options.

In the case of flush installation, the door panel dimensions for installation with an Inset door panel must be used.

For all other installation options, the door spacing requirements must be observed (page 63) in order to determine the door panel dimensions.



*The installation space constitutes the space between the unit rear wall and the kitchen rear wall. This intermediate space enables convenient installation of the electricity and water connection, as well as the anti-tipping device. If needed, the installation space can be reduced (e.g. cut-out depth 610 mm).

Door panel dimensions and weights

Model	H Inset installation	B Inset installation	H Overlay installation	B Overlay installation	Max. panel weight
ERBdi 9670/9671	2029 mm	603 mm	2032 mm ¹	610 mm ²	30 kg
ERBdi 9770/9771	2029 mm	756 mm	2032 mm ¹	762 mm ²	35 kg
ERBdi 9970/9971	2029 mm	908 mm	2032 mm ¹	914 mm ²	40 kg
EFNei 9470/9471	2029 mm	451 mm	2032 mm ¹	457 mm ²	25 kg
EFNei 9670/9671	2029 mm	603 mm	2032 mm ¹	610 mm ²	30 kg
EFNei 9770/9771	2029 mm	756 mm	2032 mm ¹	762 mm ²	35 kg
EFNei 9970/9971	2029 mm	908 mm	2032 mm ¹	914 mm ²	40 kg
EWPI 9470/9471	2029 mm	451 mm	2032 mm ¹	457 mm ²	25 kg
EWPI 9670/9671	2029 mm	603 mm	2032 mm ¹	610 mm ²	30 kg
ECBNei 9770/9771 Refrigerator compartment	1255 mm	756 mm	1258 mm ¹	762 mm ²	22 kg
ECBNei 9770/9771 Freezer compartment	768 mm	756 mm	768 mm ¹	762 mm ²	13 kg
ECBNdi 9970/9971 Refrigerator compartment	1255 mm	908 mm	1258 mm ¹	914 mm ²	25 kg
ECBNdi 9970/9971 Refrigerator compartment	768 mm	908 mm	768 mm ¹	914 mm ²	15 kg
ECBNei 9972 Refrigerator compartment	1255 mm	451 mm ³	1258 mm ¹	454 mm ^{2,3}	13 + 13 kg
ECBNei 9972 Refrigerator compartment	768 mm	908 mm	768 mm ¹	914 mm ²	15 kg

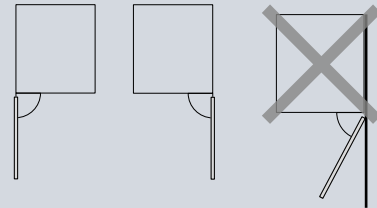
¹ Overlap of the panel at the top not taken into account.

² Overlap of the panel on right and left not taken into account.

³ Distance between the FrenchDoor refrigerator panels at least 5 mm.

Installation options

Individual positioning

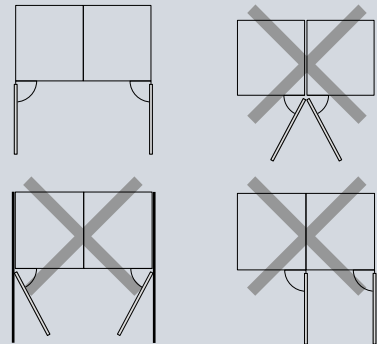


All Monolith appliances can be installed as stand-alone appliances with the hinge on the left or the right. When sizing the fitted unit, take into account the thickness of the door panel and the handle.

In order to prevent the appliance door, including the handle, from colliding with adjoining walls or elements of the kitchen, a minimum spacing of 76 mm must be included for a door opening limited to 90°.

See also "Requirements for door spacing" on page 63.

Side-by-Side in a fitted unit

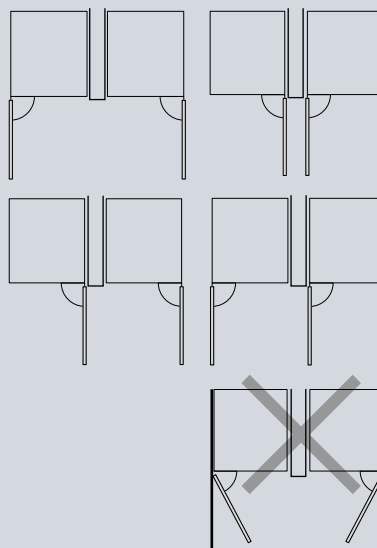


Monolith appliances may be installed Side-by-Side in a fitted unit. For this, a Side-by-Side set which is separately available is required if the spacing between the installed appliances is less than 102 mm. When sizing the fitted unit, take into account the thickness of the door panel and the handle.

In order to prevent the appliance doors, including the handles, from colliding with adjoining walls or elements of the kitchen, a minimum spacing of 76 mm must be included for a door opening limited to 90°.

See also "Requirements for door spacing" on page 63.

Side-by-Side in separate units



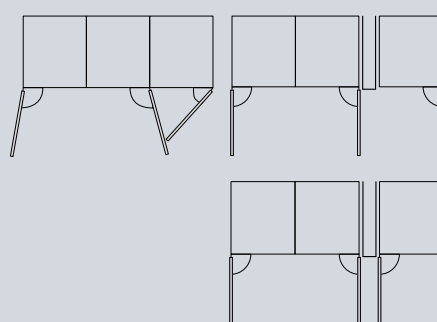
Monolith appliances may be installed Side-by-Side in different units. If the dividing wall between the units has a thickness of less than 102 mm, a separately available Side-by-Side set is required.

In order to prevent the appliance doors, including the handles, from colliding with adjoining walls or elements of the kitchen, a minimum spacing of 76 mm must be included for a door opening limited to 90°.

In the case of back-to-back door positioning (as shown in adjacent drawing, top right), a minimum spacing of 154 mm must be included.

See also "Requirements for door spacing" on page 63.

Side-by-Side with three units



If you combine more than two Monolith units, different installation options are available:

A: You can install three units with two Side-by-Side sets. Please note that this configuration will lead to door collisions. If you use stainless steel panels, you can achieve a Side-by-Side installation look.

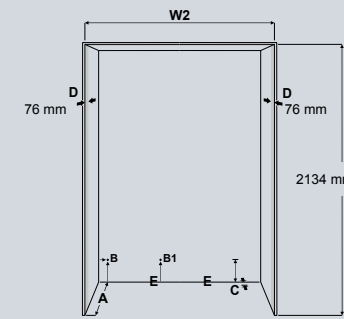
B: You can use a carcass side with a minimum thickness of 16 mm between the third unit and the connected pair of appliances. For this option, two Side-by-Side sets are required. Please note that this configuration will lead to door collisions.

C: In order to ensure that the unit doors, including handles, don't collide when the doors are opened in the same direction, a minimum distance of 102 mm is necessary. If opening is to the centre, a minimum distance of 154 mm is necessary.

Side-by-Side installation

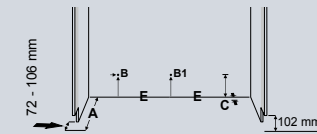
To determine the cutout width for side-by-side combinations, add the individual widths of the appliances used in the combination. No additional width needs to be calculated for the Side-by-Side set. Below are the niche dimensions when combining two or three appliances. The widths for four or more appliances can be supplied upon request where necessary. If the distance between the appliance is less than 102 mm, you will need the Side-by-Side set described on page 54.

individual

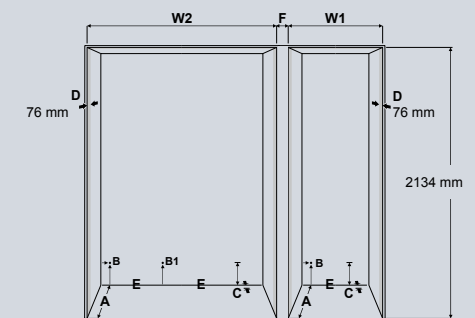
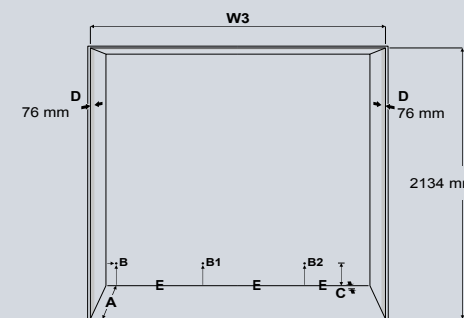


Width one unit (mm)	Width two units (mm)	Width three units (mm)
457	914	1372
610	1067	1524
762	1219	1676
914	1372	1829
	1524	1981
	1676	2134
	1829	2286
		2438
		2591
		2743

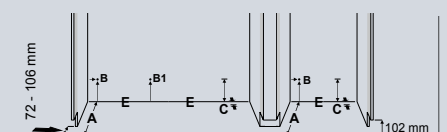
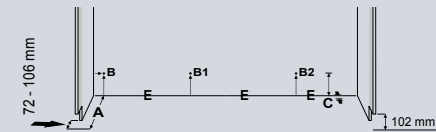
continuous



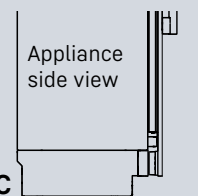
individual



continuous



- A** Unit depth for overlay installation: 635 mm; for inset installation: 635 mm + thickness of the custom panel.
- B** Point at which the mains cable exits from the rear of the appliance (19 mm from the left and 127 mm from the floor). The free length of the mains cable is 2.5 m.
- B1, B2** Please refer to descriptions of the individual appliances for the precise position of this point for the combination.
- C** The appliance has a recess in this area for cable and water line routing: Depth 25 mm, height 140 mm across the entire unit width.
- D** This surface is visible when the appliance door is opened. Designed finish is therefore recommended.
- E** The anti-tipping device positioned at the base of the appliance must be secured to the floor or to the wall.
- F** If the installation is carried out with a separate recess for an additional unit, you need a dividing wall with a minimum width of 16 mm. Please note that this configuration will lead to door collisions. In order to ensure that the handles don't collide when the doors are opened in the same direction, you will need a dividing wall with a minimum width of 102 mm. In order to ensure that the handles don't collide as soon as the doors are opened to the centre and a 90° door opening limiter (included in the scope of delivery) is used at the same time, you need a dividing wall with a minimum width of 154 mm.



Ventilation requirements

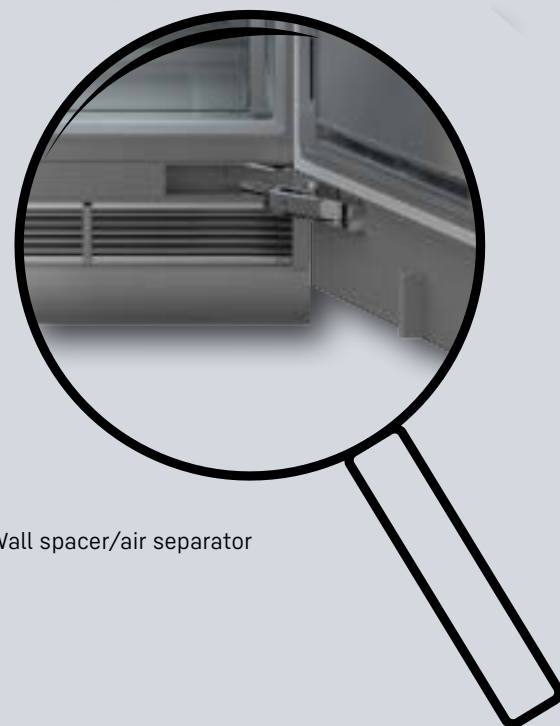
Monolith appliances are ventilated entirely via the plinth panel. The door panels must close at least 102 mm above the floor. The grill in the plinth panel must not be obstructed.

In the scope of supply of the Monolith appliances, wall spacers/air separators are included which must be fitted to the appliance and to the door in order to separate the warm outgoing air from the fresh air flowing in.

Liebherr provides a 102 mm high plinth panel made of stainless steel as an optional accessory. This is available in the relevant Width of the Monolith model and possible Side-by-Side combinations (from 45.7 cm to 182.8 cm).

The plinth panel, the position depth of which can be varied, is assembled by means of an adhesive joint (pre-assembled on the appliance).

See "Accessories" on page 53.



Wall spacer/air separator



Door spacing requirements

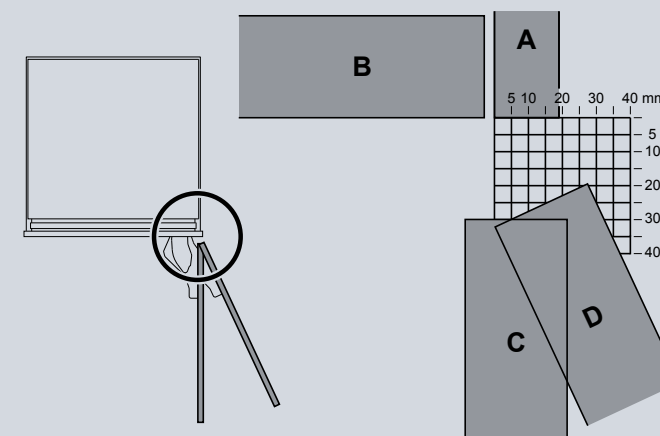
It is essential that Monolith appliances are set up or installed such that the doors (including handles) do not bump into adjoining cupboards, work surfaces, walls or other kitchen elements when they are opened.

If the door bumps into the wall or other units, a 90° door opening limiter can be installed (included in scope of supply). The door opening angle is set to 115° ex works, but can easily be limited to 90° by inserting a stable peg into the hinge.

Inset door panel installation

View from above

Panel thickness 25 mm (example)



A = Furniture framing (here 19 mm, for example)

B = Panel - door closed

C = Panel with door opened 90°

D = Panel with maximum door opening angle of 115°

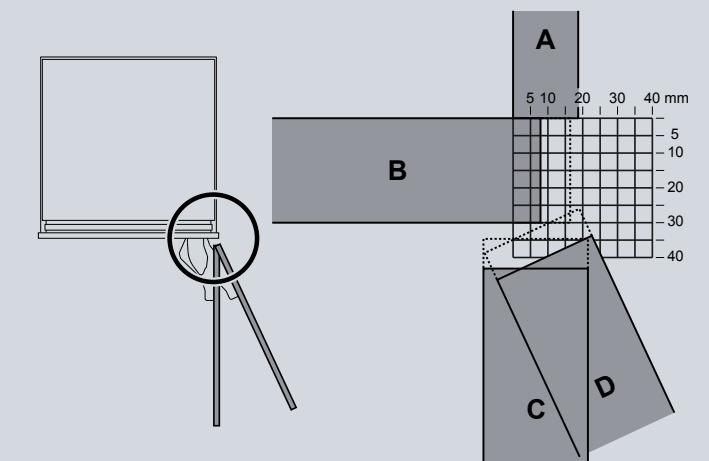
Other possible solutions:

- Reduction in the thickness of the door panel if this is greater than 19 mm.
- Repositioning of the element that collides with the appliance.
- Use of a stopper in order to prevent the door from damaging the adjoining wall or the adjoining unit.

Overlay door panel installation

View from above

Panel thickness 25 mm (example)



A = 19 mm unit carcass

B = Panel - door closed. Overlap on the panel frame of the unit carcass is 8 mm. The dashed line shows an overlap of 17 mm over the panel frame. This overlap only applies if the appliance is at the end of the kitchen units.

C = Panel with door opened 90°

D = Panel with maximum door opening angle of 115°

IMPORTANT

The minimum permitted size of the gap between the panels is 4 mm.

Safety requirements

Ambient temperatures

- The appliances are intended for refrigerating, freezing and storing food and for making ice (if equipped accordingly).
- The appliances are designed for operation within the ambient temperature limit values which depend on the climate class.
- The climate class describes the ambient temperature at which the appliances may be operated in order to achieve optimal cooling performance.
- The climate class of all refrigerators and freezers is SN-T, and for wine cabinets SN-ST.

Climate class	Ambient temperature
SN	10 °C to 32 °C
N	16 °C to 32 °C
ST	16 °C to 38 °C
T	16 °C to 43 °C
SN-ST	10 °C to 38 °C
SN-T	10 °C to 43 °C

IMPORTANT

Do not operate the appliances outside of the ambient temperature ranges specified.

- The refrigerant circuits have been checked for tightness.
- The appliances meet the applicable safety regulations.

Secure mounting

In order to prevent the appliance from tipping over following installation, the anti-tipping device must be fitted. Please note in this regard the information in the chapter “Secure mounting” in the installation instructions.

InfinitySpring (integrated water dispenser) and IceMaker (depending on model)

Monolith appliances fitted with an InfinitySpring or IceMaker must be connected to a water supply. The water pressure must be between 2.8 and 6.2 bar.

Only the supply hose delivered with the appliance must be used to feed water to the InfinitySpring/IceMaker.

If the degree of hardness of the water at the installation location is high, we recommend installing a water softener. A filter must also be used in case solids such as sand are contained in the water.

All devices and systems used to supply the appliance with water must meet the relevant applicable provisions in your region.

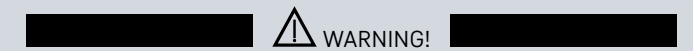
All appliances fitted with InfinitySpring or IceMaker have a water filter which is located in the front section of the appliance base. The water filter must be replaced regularly. An InfinitySwipe alarm reminds you when it is time to replace the water filter.

Warnings

- Water connection work must not be performed if the appliance is connected to an electrical socket.
- A shut-off valve must be installed between the hose line and the mains water supply in order that the water supply can be stopped if necessary. The shut-off valve must not be installed behind the appliance.
- The connection to the water supply must only be undertaken by a trained and licensed plumber.
- The water quality must comply with the drinking water regulations for the region in which the appliance is operated.
- The IceMaker is solely for the purpose of producing ice cubes in normal household quantities and must only be used with water appropriate for this purpose.
- All repairs and work on the InfinitySpring/IceMaker must only be undertaken by customer service employees or other trained individuals.
- The manufacturer assumes no responsibility for damage as a result of devices or water pipes located between the solenoid valve and the water supply.

Electrical safety

- The appliance must only be operated using alternating current.
- The permitted voltage and frequency according to the appliance design must be adhered to for the relevant country.
- Power sockets must be earthed and electrically protected in accordance with regulations.
- Power sockets must not be located behind the appliance and must be easily accessible in order to be able to disconnect the appliance from the mains if necessary.
- A separate circuit is recommended for the appliance in order to prevent defrosting or spoiling food as a result of an electricity failure caused by other appliances.



Risk of fatal electric shock.

Do not connect the appliance to unearthed power sockets.

Failure to observe this instruction may result in severe injuries or death.



Fire hazard

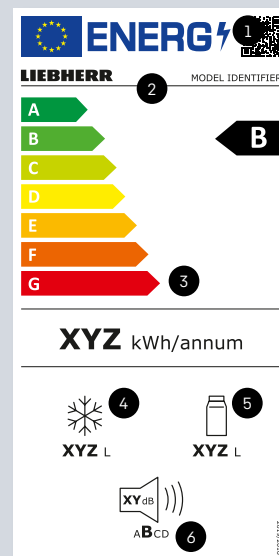
- Do not connect the appliance using an extension cable or multi-socket. There is a risk of overheating or fire due to potentially poor connector contacts.
- Do not connect the appliance using an inverter. There is a risk of overheating and a fire hazard for the control electronics due to imperfect sine wave voltage of various inverters.

Failure to observe these instructions may result in fire, severe injuries or death.

EU energy label for electrical appliances

It is now once again possible to distinguish more easily between efficient and inefficient appliances.

With the reform of the energy label, appliances will again be distributed on the efficiency scale from A to G. This will make things much clearer in future.



- 1 QR-Code to identify the product in the EU database EPREL (European Product Database for Energy Labelling).
- 2 The model identifier for manual identification of the product in the EU database EPREL, using the article number for example.
- 3 The new efficiency scale from A to G. However, "G" is solely used for wine coolers.
- 4 The sum of the volumes of the freezer compartments.
- 5 The total volume of all cold storage and refrigerator compartments.
- 6 The noise level is now classified in classes "A" to "D".

Do you still have questions? If so, please contact your Liebherr sales representative.



EWPi 9471 | ECBNdi 9970

home.liebherr.com/monolith



Subject to technical changes, errors and different images and text.
Colours may differ due to media used.
For the latest available data go to home.liebherr.com.
Printed in Germany by Raff & Wurzel Druck GmbH, 7900 778-04/01.2023