
R 936 Compact Litronic

LIEBHERR

Crawler excavator

Generation

6.1

Operating weight

33,800 – 38,250 kg

Engine

190 kW / 258 HP
Stage V

Bucket capacity

0.55 – 2.15 m³



Experience the progress R 936 Compact

Maintenance

- Innovative servicing concept, with service points accessible from ground level
- Concept for lateral access to uppercarriage and large maintenance platform
- Engine oil, hydraulic oil, fuel and urea (diesel exhaust fluid) levels visible on the display

Equipment

- Large choice of types and lengths of equipment, including a two-piece boom
- Longer lifespan of components and higher productivity thanks to automatic centralised lubrication system
- Safety check valves for hoist and stick cylinders as standard

Safety

- Panoramic visibility with no obstructions and camera on the rear and the right side for enhanced safety
- Tilttable console for easy and safe access to cab
- ROPS-certified cab structure
- Emergency exit via the rear cab window
- Right window and windshield in laminated and tinted glass





Comfort

- Spacious, air-conditioned work space
- Airsprung seat with vertical and longitudinal suspension
- Easy-to-use high resolution 7" colour touchscreen
- Completely retractable front cab window
- New LED lighting as standard

Engine

- New engine that conforms with the Stage V European exhaust emissions standard
- Automatic engine idling / speed increase, controlled via joystick sensors

Undercarriage

- Robust, reliable X-frame undercarriage, easy to secure thanks to its integrated eyelets
- Easy maintenance
- Maintenance-free travel gear and track rollers with lifetime lubrication for easy maintenance
- Extra storage as an option
- Dozer and stabilizer blade as an option

Technical data



Engine

Rating per ISO 9249	190 kW (258 HP) at 1,800 RPM
Torque	1,337 Nm at 1,350 RPM
Model	Liebherr D944 A7-25
Type	4 cylinder in-line
Bore	130 mm
Stroke	150 mm
Displacement	8.0 l
Engine operation	4-stroke diesel Common-Rail Turbo-charged and after-cooler
Exhaust gas treatment	Stage V DOC + SCR Filter Passive regeneration by thermo management
Cooling system	Water-cooled and oil cooler, after-cooled and fuel cooled
Air cleaner	Dry-type air cleaner with pre-cleaner
Fuel tank	450 l
Urea tank	46 l
Electrical system	
Voltage	24 V
Batteries	2 x 180 Ah / 12 V
Alternator	Three-phase current 28 V / 140 A
Engine idling	Sensor controlled



Hydraulic controls

Power distribution	Via control valves with integrated safety valves, simultaneous and independent actuation of undercarriage, swing drive and equipment
Servo circuit	
Equipment and swing	Proportional via joystick levers
Travel	- Proportional control via foot pedals or removable levers - Speed pre-selection
Additional functions	Proportional regulation via foot pedals or mini-joystick



Hydraulic system

Hydraulic system	Positive Control hydraulic system. Demand-based, double independent pump flows Features high system dynamics and sensitivity provided by integrated system controlling
Hydraulic pump	
For equipment and travel drive	Liebherr, variable displacement, swashplate double pump
Max. flow	2 x 245 l/min.
Max. pressure	380 bar
Pump management	Electronic pump management via the integrated system controlling (CAN-BUS) synchronous to the control block. Open circuit for the rotation
Hydraulic tank	290 l
Hydraulic system	max. 520 l
Hydraulic oil filter	1 main return filter with integrated partial micro filtration (10 µm)
Cooling system	Compact cooler, consisting of a water cooler, with hydraulic oil cooler, gearbox oil cooler, fuel cooler and after-cooler cores and hydrostatically driven fan
MODE selection	Adjustment of engine and hydraulic performance via a mode pre-selector to match application, e.g. for especially economical and environmentally friendly operation or for maximum digging performance and heavy-duty jobs
Engine speed and performance setting	Stepless adjustment of engine output and hydraulic power via engine speed



Swing drive

Drive	Liebherr swashplate motor with integrated brake valve and torque control
Transmission	Liebherr compact planetary reduction gears
Swing ring	Liebherr, sealed race ball bearing swing ring, internal teeth
Swing speed	0 - 10.0 RPM stepless
Swing torque	106 kNm
Holding brake	Wet multi-disc (spring applied, pressure released)


Cab

Cab	ROPS safety cab structure (roll-over protection system according to ISO 12117-2:2008) with windscreen, totally or partially retractable (only upper part), under cab roof, LED work headlights integrated in the ceiling, a door with a sliding window (can be opened on both sides), large storing box and several stowing possibilities, shock-absorbing suspension, laminated right hand side and roof windows, all windows tinted, separate extensible window shades for the sunroof window and windscreen, cigarette lighter and 24 V plug, 12 V plug, cup holder
Operator's seat	Liebherr-Comfort seat, airsprung with automatic weight adjustment, vertical and longitudinal seat damping including consoles and joysticks. Seat and armrests adjustable separately and in combination (adjustable in length, height and inclination), seat heating as standard
Arm consoles	Oscillating consoles with seat, tiltable console left
Operation and displays	Large high-resolution operating unit, intuitive, colour display with touchscreen, video-compatible, numerous setting, control and monitoring options, e.g. air conditioning control, fuel consumption, machine and attachment parameters
Air-conditioning	Automatic air-conditioning, recirculated air function, fast de-icing and demisting at the press of a button, air vents can be operated via a menu. Recirculated air and fresh air filters can be easily replaced and are accessible from the outside. Heating-cooling unit, designed for extreme outside temperatures, sensors for solar radiation, inside and outside temperatures The air conditioning system contains fluorinated greenhouse gases
Refrigerant	R134a
Global warming potential	1,430
Quantity at 25 °C*	1,340 g
CO ₂ equivalent	1.92 t
Vibration emission**	
Hand / arm vibrations	< 2.5 m/s ² , according with ISO 5349-1:2001
Whole-body vibrations	< 0.5 m/s ²
Measuring inaccuracy	According with standard EN 12096:1997
Noise emission	
ISO 6396	71 dB(A) = L _{DA} (inside cab)
2000/14/EC	105 dB(A) = L _{WA} (surround noise)


Undercarriage

Versions	
NLC	Gauge 2,390 mm
SLC	Gauge 2,590 mm
LC	Gauge 2,740 mm
Drive	Liebherr swashplate motor with brake valves on both sides
Transmission	Liebherr compact planetary reduction gear
Maximum travel speed	2.6 km/h low range 4.2 km/h high range
Drawbar pull on crawler	325 kN
Track components	D7, maintenance-free
Track rollers / Carrier rollers	9 / 2
Tracks	Sealed and greased
Track pads	Triple grouser
Holding brake	Wet multi-disc (spring applied, pressure released)
Brake valves	Integrated into travel motor
Lashing eyes	Integrated

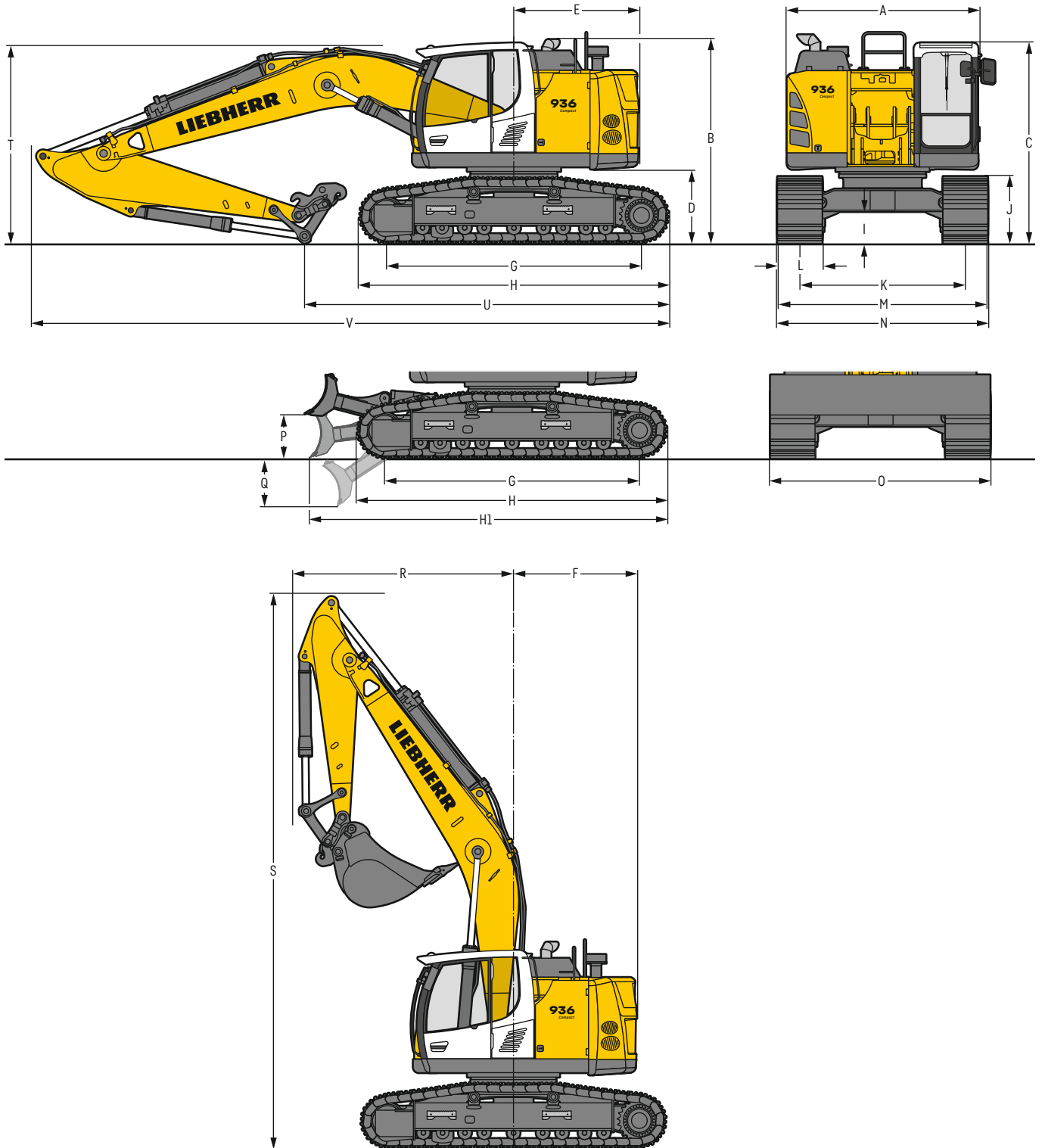

Equipment

Hydraulic cylinders	Liebherr cylinders with seal and guidance systems
Bearings	Sealed, low maintenance
Lubrication	Liebherr central lubrication system

* Valid for standard machine without operator's cab elevation and without height adjustable cab

** For the risk assessment according to 2002/44/EC see ISO/TR 25398:2006

Dimensions



	NLC		NLC with blade		SLC		LC		LC with blade				
	mm		mm		mm		mm		mm				
A Uppercarriage width	3,000**		3,000**		3,000**		3,000**		3,000**				
B Uppercarriage height	3,200		3,200		3,200		3,200		3,200				
C Cab height	3,155		3,155		3,155		3,155		3,155				
D Counterweight ground clearance	1,160		1,160		1,160		1,160		1,160				
E Rear-end length	1,975		1,975		1,975		1,975		1,975				
F Tail swing radius	1,975		1,975		1,975		1,975		1,975				
G Wheelbase	3,990		3,990		3,990		3,990		3,990				
H Undercarriage length	4,845		4,845		4,845		4,845		4,845				
H1 Undercarriage length with blade	-		5,600		-		-		5,600				
I Undercarriage ground clearance	500		500		500		500		500				
J Track height	1,055		1,055		1,055		1,055		1,055				
K Track gauge	2,390		2,390		2,590		2,740		2,740				
L Track pad width	600	700	800	900	600	700	800	900	600	700	800	900	
M Width over tracks	2,990	3,090	3,190	3,290	2,990	3,190	3,290	3,390	3,490	3,340	3,440	3,540	3,640
N Width over steps	2,990	2,990	3,190*	3,190*	2,990	3,190	3,190	3,390*	3,390*	3,340	3,340	3,540*	3,540*
O Blade width			3,000										3,350
P Max. blade height			705										705
Q Max. blade depth			755										755

* width with removable steps

** without door stop device and spacer

	Stick length	Mono boom 6.20 m		Two-piece boom 6.40 m	
	m	with quick coupler		with quick coupler	
		mm		mm	
R Front swing radius	2.50	3,500		2,850	
	3.20	3,500		2,900	
	3.70	3,500		2,900	
S Height with boom up		8,800		9,400	
	2.50	2,950		2,950	
	3.20	3,100		3,050	
T Boom height	3.70	3,150		3,200	
	2.50	6,300		6,600	
	3.20	5,700		6,050	
U Length on ground	3.70	5,300		5,650	
		10,000 / 10,800*		10,150 / 10,950*	
		1.45 m ³		1.45 m ³	

* with blade

Transport dimensions

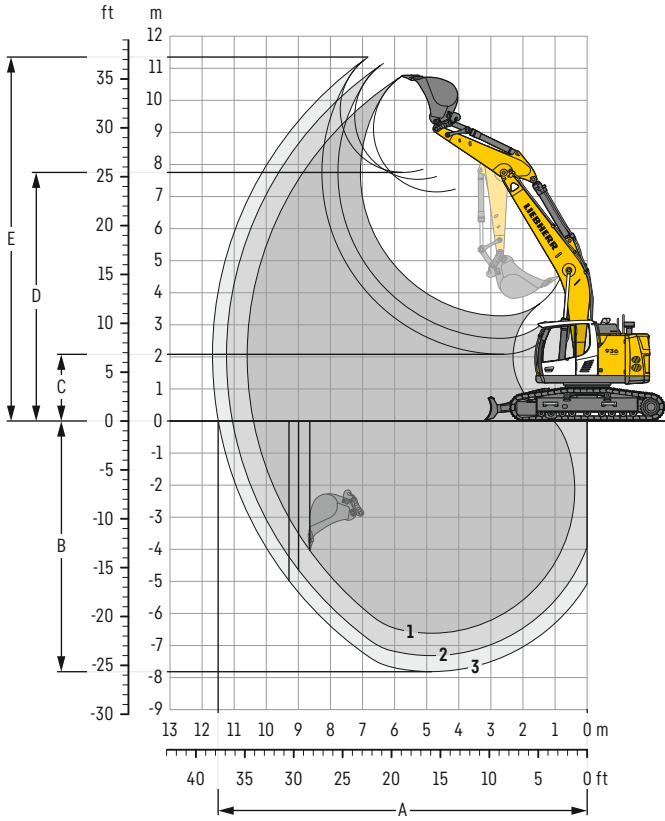
removable elements disassembled

	Undercarriage	Mono boom 6.20 m				Two-piece boom 6.40 m			
		mm				mm			
Pad width		600	700	800	900	600	700	800	900
Transport width	NLC	3,000	3,090	3,190	3,290	3,000	3,090	3,190	3,290
	NLC with blade	3,000	-	-	-	3,000	-	-	-
	SLC	3,190	3,290	3,390	3,490	3,190	3,290	3,390	3,490
	LC	3,340	3,440	3,540	3,640	3,340	3,440	3,540	3,640
	LC with blade	3,340	-	-	-	3,340	-	-	-

	Undercarriage	NLC		NLC with blade		SLC		LC		LC with blade	
		mm		mm		mm		mm		mm	
Transport length	m	10,000		10,800		10,000		10,000		10,950	
Transport height						3,200				3,200	

Backhoe bucket

with mono boom 6.20 m



Digging envelope

with quick coupler		1	2	3
Stick length	m	2.50	3.20	3.70
A Max. reach at ground level	m	10.40	11.06	11.50
B Max. digging depth	m	6.62	7.31	7.81
C Min. dumping height	m	3.28	2.58	2.08
D Max. dumping height	m	7.15	7.54	7.76
E Max. cutting height	m	10.76	11.15	11.35

Forces

without quick coupler		1	2	3
Stick digging force (ISO 6015)	kN	168	142	128
Bucket digging force (ISO 6015)	kN	204	204	204
Stick digging force (SAE J1179)	kN	160	136	123
Bucket digging force (SAE J1179)	kN	178	178	178

Operating weight and ground pressure

The operating weight includes the basic machine with counterweight 8.0 t, mono boom 6.20 m, stick 3.20 m, quick coupler SWA 66 and bucket 1.45 m³ (1,130 kg).

Undercarriage		NLC			
Pad width	mm	600	700	800	900
Weight	kg	33,800	34,150	34,500	34,850
Ground pressure	kg/cm ²	0.66	0.57	0.50	0.45

Undercarriage		NLC with blade			
Pad width	mm	600	700	800	900
Weight	kg	36,150	36,500	36,850	37,200
Ground pressure	kg/cm ²	0.70	0.61	0.54	0.48

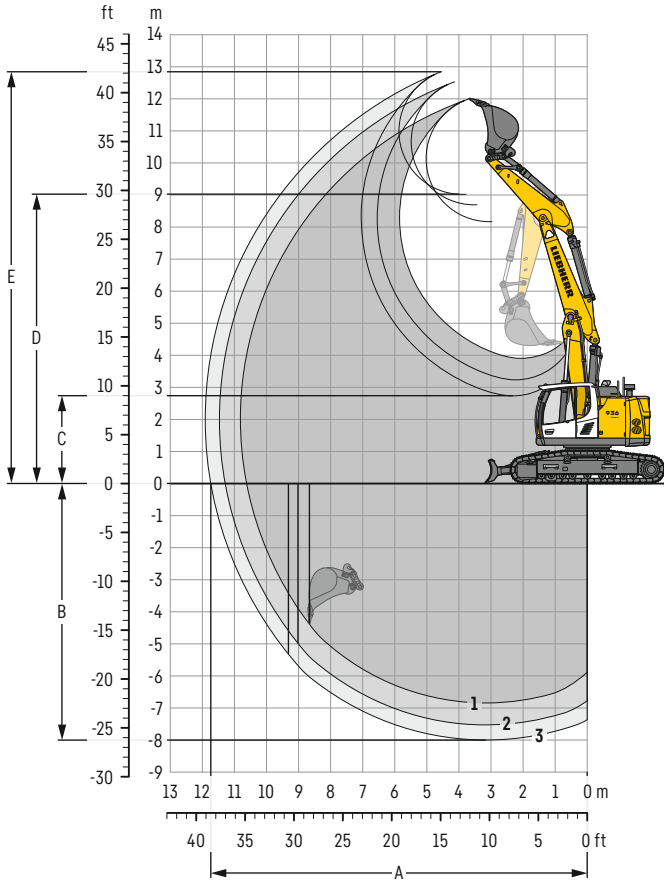
Undercarriage		SLC			
Pad width	mm	600	700	800	900
Weight	kg	33,900	34,250	34,600	34,950
Ground pressure	kg/cm ²	0.66	0.57	0.50	0.45

Undercarriage		LC			
Pad width	mm	600	700	800	900
Weight	kg	34,000	34,350	34,700	35,050
Ground pressure	kg/cm ²	0.66	0.57	0.50	0.45

Undercarriage		LC with blade			
Pad width	mm	600	700	800	900
Weight	kg	36,400	36,750	37,100	37,450
Ground pressure	kg/cm ²	0.70	0.61	0.54	0.48

Backhoe bucket

with two-piece boom 6.40 m



Digging envelope

with quick coupler	1	2	3	
Stick length	m	2.50	3.20	3.70
A Max. reach at ground level	m	10.62	11.29	11.74
B Max. digging depth	m	6.84	7.52	8.00
C Min. dumping height	m	3.91	3.23	2.74
D Max. dumping height	m	8.17	8.70	9.02
E Max. cutting height	m	12.00	12.53	12.84

Forces

without quick coupler	1	2	3	
Stick digging force (ISO 6015)	kN	168	142	128
Bucket digging force (ISO 6015)	kN	204	204	204
Stick digging force (SAE J1179)	kN	160	136	123
Bucket digging force (SAE J1179)	kN	178	178	178

Operating weight and ground pressure

The operating weight includes the basic machine with counterweight 8.0 t, two-piece boom 6.40 m, stick 3.20 m, quick coupler SWA 66 and bucket 1.45 m³ (1,130 kg).

Undercarriage	NLC				
Pad width	mm	600	700	800	900
Weight	kg	34,600	34,950	35,300	35,650
Ground pressure	kg/cm ²	0.67	0.58	0.52	0.46

Undercarriage	NLC with blade				
Pad width	mm	600	700	800	900
Weight	kg	36,950	37,300	37,650	38,000
Ground pressure	kg/cm ²	0.72	0.62	0.55	0.49

Undercarriage	SLC				
Pad width	mm	600	700	800	900
Weight	kg	34,700	35,050	35,400	35,750
Ground pressure	kg/cm ²	0.67	0.58	0.52	0.46

Undercarriage	LC				
Pad width	mm	600	700	800	900
Weight	kg	34,800	35,150	35,500	35,850
Ground pressure	kg/cm ²	0.67	0.58	0.52	0.46

Undercarriage	LC with blade				
Pad width	mm	600	700	800	900
Weight	kg	37,200	37,550	37,900	38,250
Ground pressure	kg/cm ²	0.72	0.62	0.55	0.49

Lift capacities

with mono boom 6.20 m, counterweight 8.0 t and track pads 600 mm

Stick 2.50 m

Under-carriage	3.0 m		4.5 m		6.0 m		7.5 m		9.0 m		m	
	Height	Can be slewed through 360°	Height	Can be slewed through 360°	Height	Can be slewed through 360°	Height	Can be slewed through 360°	Height	Can be slewed through 360°		
NLC	9.0				7.1	9.6*			9.6*	9.6*	4.9	
	7.5								6.0	8.4*	6.6	
	6.0								4.7	8.0	7.6	
	4.5			10.9	11.7*	6.9	9.9*	4.8	8.3	4.0	7.0	8.3
	3.0			9.1	16.2*	6.1	11.1	4.5	7.9	3.7	6.5	8.6
	1.5			8.5	13.0*	5.8	10.8	4.3	7.7	3.6	6.3	8.6
NLC Blade up	9.0				7.5	9.6*			9.6*	9.6*	4.9	
	7.5								6.4	8.4*	6.6	
	6.0			11.6	11.7*	7.4	9.9*	5.2	8.3	5.0	8.1*	7.6
	4.5			10.8	13.9*	7.0	10.8*	5.0	8.2	4.3	7.0	8.3
	3.0			9.8	16.2*	6.6	11.2	4.8	8.0	4.0	6.5	8.6
	1.5			9.2	13.0*	6.3	10.8	4.7	7.8	3.9	6.4	8.6
NLC Blade down	9.0				7.9	9.6*			9.6*	9.6*	4.9	
	7.5								6.7	8.4*	6.6	
	6.0			11.7*	11.7*	7.7	9.9*	5.4	9.0*	5.2	8.1*	7.6
	4.5			11.3	13.9*	7.4	10.8*	5.3	9.2*	4.5	8.1*	8.3
	3.0			10.3	16.2*	7.0	11.8*	5.1	9.6*	4.2	8.4*	8.6
	1.5			9.7	13.0*	6.6	12.5*	4.9	9.9*	4.1	8.5*	8.6
SLC	9.0				7.7	9.6*			9.6*	9.6*	4.9	
	7.5								6.6	8.4*	6.6	
	6.0			11.7*	11.7*	7.6	9.9*	5.3	8.3	5.1	8.1	7.6
	4.5			11.1	13.9*	7.2	10.8*	5.1	8.2	4.4	7.0	8.3
	3.0			10.1	16.2*	6.8	11.2	4.9	7.9	4.1	6.5	8.6
	1.5			9.6	13.0*	6.5	10.8	4.8	7.7	3.9	6.3	8.6
LC	9.0				8.3	9.6*			9.6*	9.6*	4.9	
	7.5								7.0	8.4*	6.6	
	6.0			11.7*	11.7*	8.1	9.9*	5.6	8.3	5.5	8.1	7.6
	4.5			12.0	13.9*	7.7	10.8*	5.5	8.2	4.7	7.0	8.3
	3.0			11.0	16.2*	7.3	11.2	5.3	8.0	4.4	6.5	8.6
	1.5			10.4	13.0*	7.0	10.8	5.1	7.8	4.2	6.4	8.6
LC Blade up	9.0				8.8	9.6*			9.6*	9.6*	4.9	
	7.5								7.5	8.4*	6.6	
	6.0			11.7*	11.7*	8.7	9.9*	6.1	8.3	5.9	8.1*	7.6
	4.5			12.9	13.9*	8.3	10.8*	5.9	8.2	5.1	7.0	8.3
	3.0			11.9	16.2*	7.9	11.3	5.7	8.0	4.7	6.5	8.6
	1.5			11.3	13.0*	7.5	10.9	5.6	7.8	4.6	6.4	8.6
LC Blade down	9.0				9.2	9.6*			9.6*	9.6*	4.9	
	7.5								7.8	8.4*	6.6	
	6.0			11.7*	11.7*	9.0	9.9*	6.3	9.0*	6.1	8.1*	7.6
	4.5			13.5	13.9*	8.7	10.8*	6.2	9.2*	5.3	8.1*	8.3
	3.0			12.4	16.2*	8.2	11.8*	6.0	9.6*	4.9	8.4*	8.6
	1.5			11.8	13.0*	7.9	12.5*	5.8	9.9*	4.8	8.5*	8.6

Stick 3.20 m

Under-carriage	3.0 m		4.5 m		6.0 m		7.5 m		9.0 m		m	
	Height	Can be slewed through 360°	Height	Can be slewed through 360°	Height	Can be slewed through 360°	Height	Can be slewed through 360°	Height	Can be slewed through 360°		
NLC	9.0				7.2	8.6*			7.0*	7.0*	6.0	
	7.5								5.0	6.3*	7.4	
	6.0								4.0	6.1*	8.4	
	4.5	18.2*	18.2*	10.4	12.4*	6.7	10.0*	4.9	8.2*	3.5	6.1*	8.9
	3.0			9.4	15.0*	6.2	11.1*	4.5	7.9	3.2	5.7	9.2
	1.5			8.6	16.7*	5.8	10.8	4.3	7.7	3.3	5.9	9.3
NLC Blade up	9.0				7.7	8.6*			7.0*	7.0*	6.0	
	7.5								5.3	6.3*	7.4	
	6.0			18.2*	18.2*	7.5	9.0*	5.2	8.2*	4.3	6.1*	8.4
	4.5			11.1	12.4*	7.1	10.0*	5.1	8.2	3.8	6.1*	8.9
	3.0			10.1	15.0*	6.7	11.1*	4.8	8.0	3.5	5.8	9.2
	1.5			9.3	16.7*	6.3	10.9	4.6	7.7	3.6	5.9	9.3
NLC Blade down	9.0				8.0	8.6*			7.0*	7.0*	6.0	
	7.5								5.6	6.3*	7.4	
	6.0			18.2*	18.2*	7.8	9.0*	5.5	8.2*	4.5	6.1*	8.4
	4.5			11.6	12.4*	7.5	10.0*	5.3	8.6*	4.0	6.1*	8.9
	3.0			10.6	15.0*	7.0	11.1*	5.1	9.2*	3.7	6.3*	9.2
	1.5			9.8	16.7*	6.6	12.1*	4.9	9.6*	3.6	6.8*	9.3
SLC	9.0				7.9	8.6*			7.0*	7.0*	6.0	
	7.5								5.5	6.3*	7.4	
	6.0			18.2*	18.2*	7.3	10.0*	5.2	8.2	4.4	6.1*	8.4
	4.5			11.5	12.4*	7.3	10.0*	5.2	8.2	3.9	6.1*	8.9
	3.0			10.4	15.0*	6.9	11.1*	4.9	7.9	3.6	5.8	9.2
	1.5			9.6	16.7*	6.5	10.8	4.7	7.7	3.5	5.6	9.3
LC	9.0				8.4	8.6*			7.0*	7.0*	6.0	
	7.5								5.5	6.3*	7.4	
	6.0			18.2*	18.2*	8.2	9.0*	5.7	8.2*	4.7	6.1*	8.4
	4.5			12.4	12.4*	7.9	10.0*	5.5	8.2	4.2	6.1*	8.9
	3.0			11.3	15.0*	7.4	11.1*	5.3	8.0	3.9	5.8	9.2
	1.5			10.5	16.7*	7.0	10.8	5.1	7.7	3.9	5.9	9.3
LC Blade up	9.0				8.6*	8.6*			7.0*	7.0*	6.0	
	7.5								6.3	6.3*	7.4	
	6.0			18.2*	18.2*	8.8	9.0*	6.1	8.2*	5.1	6.1*	8.4
	4.5			12.4*	12.4*	8.4	10.0*	6.0	8.3	4.5	6.1*	8.9
	3.0			12.2	15.0*	8.0	11.1*	5.7	8.0	4.2	5.8	9.2
	1.5			11.4	16.7*	7.5	10.9	5.5	7.8	4.3	5.9	9.3
LC Blade down	9.0				8.6*	8.6*			7.0*	7.0*	6.0	
	7.5								6.3	6.3*	7.4	
	6.0			18.2*	18.2*	9.0*	9.0*	6.4	8.2*	5.3	6.1*	8.4
	4.5			12.4*	12.4*	8.8	10.0*	6.2	8.6*	4.7	6.1*	8.9
	3.0			12.7	15.0*	8.3	11.1*	6.0	9.2*	4.4	6.3*	9.2
	1.5			11.9	16.7*	7.9	12.1*	5.7	9.6*	4.4	8.0*	9.3

↑ Height ↻ Can be slewed through 360° ↻ In longitudinal position of undercarriage ↻ Max. reach * Limited by hydr. capacity

The load values are quoted in tons (t) at stick end (without bucket), and may be swung 360° on firm and even ground. Adjacent values are valid for the undercarriage when in the longitudinal position. Capacities are valid for 600 mm wide track pads. Indicated loads are based on ISO 10567 standard and do not exceed 75% of tipping or 87% of hydraulic capacity (indicated via *). Without bucket cylinder, link and lever the lift capacities will increase by 410 kg. Lifting capacity of the excavator is limited by machine stability and hydraulic capacity.

According to European Standard, EN 474-5: In the European Union excavators have to be equipped with an overload warning device, a load diagram and automatic safety check valves on hoist cylinders and stick cylinder(s), when they are used for lifting operations which require the use of lifting accessories. Determine maximum load lift from load lift chart displayed in the operator's cab or from load lift chart detailed in the operator's manual supplied with the machine.

Stick 3.70 m

Under-carriage	3.0 m		4.5 m		6.0 m		7.5 m		9.0 m		m	
	m		m		m		m		m			
NLC	9.0						5.0	6.5*	5.8*	5.8*	6.6	
	7.5								4.5	5.3*	8.0	
	6.0				7.1	7.7*	4.9	7.5*	3.7	5.1*	8.8	
	4.5		10.0*	10.0*	6.8	9.4*	4.7	8.2*	3.5	6.1	9.4	
	3.0		9.6	14.1*	6.3	10.6*	4.5	8.0	3.4	6.0	9.7	
	1.5		8.7	16.2*	5.8	10.8	4.3	7.7	3.2	5.8	9.7	
	0	6.1*	6.1*	8.3	16.8*	5.5	10.5	4.1	7.5	3.1	5.7	9.5
	-1.5	10.1*	10.1*	8.1	16.1*	5.4	10.3	4.0	7.4	3.1	5.7	9.0
	-3.0	15.4*	15.4*	8.2	14.3*	5.4	10.3	4.0	7.4	3.5	6.5	8.3
	-4.5	14.5*	14.5*	8.4	11.3*	5.5	8.6*			4.5	6.5*	7.1
NLC Blade up	9.0						5.4	6.5*	5.8*	5.8*	6.6	
	7.5								4.8	5.3*	8.0	
	6.0				7.6	7.7*	5.3	7.5*	4.0	5.1*	8.8	
	4.5		10.0*	10.0*	7.3	9.4*	5.1	8.2*	3.8	6.2	9.4	
	3.0		10.3	14.1*	6.8	10.6*	4.9	8.0	3.7	6.0	9.7	
	1.5		9.4	16.2*	6.3	10.9	4.6	7.7	3.5	5.9	9.7	
	0	6.1*	6.1*	9.0	16.8*	6.0	10.6	4.4	7.5	3.4	5.8	9.5
	-1.5	10.1*	10.1*	8.8	16.1*	5.9	10.4	4.3	7.4	3.4	5.7	9.0
	-3.0	15.4*	15.4*	8.9	14.3*	5.9	10.4	4.4	7.4	3.9	6.5	8.3
	-4.5	14.5*	14.5*	9.1	11.3*	6.0	8.6*			4.8	6.5*	7.1
NLC Blade down	9.0						5.6	6.5*	5.8*	5.8*	6.6	
	7.5								5.0	5.3*	8.0	
	6.0				7.7*	7.7*	5.5	7.5*	4.2	5.1*	8.8	
	4.5		10.0*	10.0*	7.6	9.4*	5.3	8.2*	3.7	5.2*	9.4	
	3.0		10.9	14.1*	7.1	10.6*	5.1	8.8*	3.8	7.7*	9.7	
	1.5		10.0	16.2*	6.7	11.7*	4.9	9.4*	3.7	7.9*	9.7	
	0	6.1*	6.1*	9.5	16.8*	6.3	12.3*	4.7	9.6*	3.6	7.8*	9.5
	-1.5	10.1*	10.1*	9.3	16.1*	6.2	12.0*	4.6	9.4*	3.6	7.3*	9.0
	-3.0	15.4*	15.4*	9.4	14.3*	6.2	10.9*	4.6	8.4*	4.1	7.1*	8.3
	-4.5	14.5*	14.5*	9.6	11.3*	6.3	8.6*			5.1	6.5*	7.1
SLC	9.0						5.5	6.5*	5.8*	5.8*	6.6	
	7.5								4.9	5.3*	8.0	
	6.0				7.7*	7.7*	5.4	7.5*	4.0	5.1*	8.8	
	4.5		10.0*	10.0*	7.4	9.4*	5.2	8.2*	3.6	5.2*	9.4	
	3.0		10.7	14.1*	7.0	10.6*	5.0	8.0	3.7	6.0	9.7	
	1.5		9.8	16.2*	6.5	10.9	4.7	7.7	3.6	5.9	9.7	
	0	6.1*	6.1*	9.3	16.8*	6.2	10.5	4.5	7.5	3.5	5.7	9.5
	-1.5	10.1*	10.1*	9.1	16.1*	6.0	10.3	4.4	7.4	3.5	5.7	9.0
	-3.0	15.4*	15.4*	9.2	14.3*	6.0	10.3	4.4	7.4	3.9	6.5	8.3
	-4.5	14.5*	14.5*	9.4	11.3*	6.2	8.6*			5.0	6.5*	7.1
LC	9.0						5.8	6.5*	5.8*	5.8*	6.6	
	7.5								5.2	5.3*	8.0	
	6.0				7.7*	7.7*	5.8	7.5*	4.3	5.1*	8.8	
	4.5		10.0*	10.0*	8.0	9.4*	5.6	8.2*	3.8	5.2*	9.4	
	3.0		11.6	14.1*	7.5	10.6*	5.3	8.0	4.0	6.0	9.7	
	1.5		10.6	16.2*	7.0	10.9	5.1	7.7	3.9	5.9	9.7	
	0	6.1*	6.1*	10.1	16.8*	6.7	10.5	4.9	7.5	3.8	5.8	9.5
	-1.5	10.1*	10.1*	10.0	16.1*	6.5	10.4	4.8	7.4	3.8	5.7	9.0
	-3.0	15.4*	15.4*	10.0	14.3*	6.5	10.4	4.8	7.4	4.2	6.5	8.3
	-4.5	14.5*	14.5*	10.3	11.3*	6.7	8.6*			5.3	6.5*	7.1
LC Blade up	9.0						6.3	6.5*	5.8*	5.8*	6.6	
	7.5								5.3*	5.3*	8.0	
	6.0				7.7*	7.7*	6.2	7.5*	4.7	5.1*	8.8	
	4.5		10.0*	10.0*	8.5	9.4*	6.0	8.2*	4.2	5.2*	9.4	
	3.0		12.5	14.1*	8.1	10.6*	5.8	8.0	4.4	6.0	9.7	
	1.5		11.5	16.2*	7.6	10.9	5.5	7.8	4.2	5.9	9.7	
	0	6.1*	6.1*	11.0	16.8*	7.3	10.6	5.3	7.6	4.1	5.8	9.5
	-1.5	10.1*	10.1*	10.8	16.1*	7.1	10.4	5.2	7.4	4.1	5.8	9.0
	-3.0	15.4*	15.4*	10.9	14.3*	7.1	10.4	5.2	7.5	4.6	6.5	8.3
	-4.5	14.5*	14.5*	11.2	11.3*	7.3	8.6*			5.8	6.5*	7.1
LC Blade down	9.0						6.5*	6.5*	5.8*	5.8*	6.6	
	7.5								5.3*	5.3*	8.0	
	6.0				7.7*	7.7*	6.4	7.5*	4.9	5.1*	8.8	
	4.5		10.0*	10.0*	8.9	9.4*	6.3	8.2*	4.3	5.2*	9.4	
	3.0		13.0	14.1*	8.4	10.6*	6.0	8.8*	4.5	7.7*	9.7	
	1.5		12.1	16.2*	7.9	11.7*	5.7	9.4*	4.4	7.9*	9.7	
	0	6.1*	6.1*	11.5	16.8*	7.6	12.3*	5.6	9.6*	4.3	7.8*	9.5
	-1.5	10.1*	10.1*	11.4	16.1*	7.4	12.0*	5.5	9.4*	4.3	7.3*	9.0
	-3.0	15.4*	15.4*	11.4	14.3*	7.4	10.9*	5.5	8.4*	4.8	7.1*	8.3
	-4.5	14.5*	14.5*	11.3*	11.3*	7.6	8.6*			6.1	6.5*	7.1

 Height
  Can be slewed through 360°
  In longitudinal position of undercarriage
  Max. reach * Limited by hydr. capacity

The load values are quoted in tons (t) at stick end (without bucket), and may be swung 360° on firm and even ground. Adjacent values are valid for the undercarriage when in the longitudinal position. Capacities are valid for 600 mm wide track pads. Indicated loads are based on ISO 10567 standard and do not exceed 75% of tipping or 87% of hydraulic capacity (indicated via *). Without bucket cylinder, link and lever the lift capacities will increase by 410 kg. Lifting capacity of the excavator is limited by machine stability and hydraulic capacity.

According to European Standard, EN 474-5: In the European Union excavators have to be equipped with an overload warning device, a load diagram and automatic safety check valves on hoist cylinders and stick cylinder(s), when they are used for lifting operations which require the use of lifting accessories.

Determine maximum load lift from load lift chart displayed in the operator's cab or from load lift chart detailed in the operator's manual supplied with the machine.

Lift capacities

with two-piece boom 6.40 m, counterweight 8.0 t and track pads 600 mm

Stick 2.50 m

Under-carriage	3.0 m		4.5 m		6.0 m		7.5 m		9.0 m		m
	↙	↘	↙	↘	↙	↘	↙	↘	↙	↘	
10.5											8.6 9.6*
9.0											5.3
7.5											5.5 8.5*
6.0	12.8*	12.8*	11.3*	11.3*	7.3	11.0*					4.3 7.6
4.5	20.1	21.4*	11.0	15.8*	7.2	11.7	4.8	8.4			3.7 6.6
3.0	18.0*	18.0*	10.3	16.9*	6.7	11.5	4.7	8.2			3.4 6.2
1.5	10.0*	10.0*	9.4	16.9*	6.3	11.4	4.5	8.0			3.3 6.0
0	16.5	17.1*	8.8	17.0*	6.0	11.0	4.3	7.7			3.4 6.2
-1.5	16.5	25.2*	8.6	16.9*	5.8	10.8	4.1	7.6			3.7 6.1*
-3.0	16.7	22.4*	8.7	15.5*	5.7	10.2*					4.4 4.5*
-4.5	15.1*	15.1*	8.4*	8.4*							5.7* 5.7*
-6.0											5.1

Stick 3.20 m

Under-carriage	3.0 m		4.5 m		6.0 m		7.5 m		9.0 m		m
	↙	↘	↙	↘	↙	↘	↙	↘	↙	↘	
10.5											9.0* 9.0*
9.0											6.3
7.5											4.6 6.4*
6.0											3.7 6.1*
4.5	20.5	22.0*	11.0	14.7*	7.2	11.3*	5.0	8.4			3.3 5.9
3.0	19.6	21.1*	10.7	16.4*	6.9	11.4	4.8	8.3	3.4	6.0	3.0 5.5
1.5	17.0*	17.0*	9.6	16.7*	6.4	11.3	4.6	8.1	3.2	5.9	2.9 5.4
0	17.4*	17.4*	8.9	16.7*	6.0	11.1	4.3	7.8	3.1	5.8	3.0 5.5
-1.5	16.3	22.2*	8.5	16.9*	5.7	10.7	4.1	7.5			3.2 5.9*
-3.0	16.3	24.2*	8.4	16.2*	5.6	10.6	4.0	7.3*			3.7 4.8*
-4.5	16.8	19.8*	8.6	12.7*	5.6	7.0*					4.0* 4.0*
-6.0											6.6

↙ Height ↘ Can be slewed through 360° ↙ In longitudinal position of undercarriage ↘ Max. reach * Limited by hydr. capacity

The load values are quoted in tons (t) at stick end (without bucket), and may be swung 360° on firm and even ground. Adjacent values are valid for the undercarriage when in the longitudinal position. Capacities are valid for 600 mm wide track pads with adjusting cylinder in optimal position. Indicated loads are based on ISO 10567 standard and do not exceed 75% of tipping or 87% of hydraulic capacity (indicated via *). Without bucket cylinder, link and lever the lift capacities will increase by 410 kg. Lifting capacity of the excavator is limited by machine stability and hydraulic capacity. According to European Standard, EN 474-5: In the European Union excavators have to be equipped with an overload warning device, a load diagram and automatic safety check valves on hoist cylinders and stick cylinder(s), when they are used for lifting operations which require the use of lifting accessories. Determine maximum load lift from load lift chart displayed in the operator's cab or from load lift chart detailed in the operator's manual supplied with the machine.

Stick 3.70 m

Under-carriage m	3.0 m		4.5 m		6.0 m		7.5 m		9.0 m		m		
10.5			7.8*	7.8*							7.0*	7.0*	5.0
9.0					7.2*	7.2*					5.6*	5.8*	7.0
7.5					7.3*	7.3*	5.1	6.9*			4.1	5.3*	8.3
6.0					7.0*	7.0*	5.2	7.7*	3.5	5.5*	3.4	5.2*	9.1
4.5	12.7*	12.7*	11.0*	11.0*	7.2	10.0*	5.1	8.4	3.5	6.2	3.0	5.1*	9.6
3.0	19.7	21.5*	10.7	15.8*	7.0	11.4	4.9	8.3	3.4	6.1	2.8	5.1	9.9
1.5	18.5	22.1*	9.9	16.7*	6.5	11.2	4.6	8.2	3.3	5.9	2.7	5.0	9.9
0	16.8	18.3*	9.0	16.6*	6.0	11.1	4.3	7.9	3.1	5.8	2.7	5.1	9.7
-1.5	16.2	21.0*	8.5	16.7*	5.7	10.7	4.1	7.6	3.0	5.7	2.9	5.4	9.3
-3.0	16.2	25.1*	8.4	16.5*	5.5	10.6	3.9	7.4			3.3	4.9*	8.5
-4.5	16.5	21.8*	8.5	14.6*	5.5	9.2*					3.4*	3.4*	7.4
-6.0	10.8*	10.8*									8.3*	8.3*	3.7
10.5			7.8*	7.8*	7.2*	7.2*					7.0*	7.0*	5.0
9.0					7.3*	7.3*					5.8*	5.8*	7.0
7.5					7.0*	7.0*	5.5	6.9*			4.5	5.3*	8.3
6.0					7.9	8.0*	5.5	7.7*	3.8	5.5*	3.7	5.2*	9.1
4.5	12.7*	12.7*	11.0*	11.0*	7.7	10.0*	5.5	8.4	3.8	6.2	3.3	5.1*	9.6
3.0	20.7	21.5*	11.3	15.8*	7.5	11.5	5.3	8.3	3.7	6.1	3.0	5.1	9.9
1.5	19.8	22.1*	10.6	16.7*	7.0	11.3	5.0	8.2	3.6	6.0	3.0	5.0	9.9
0	18.2	18.3*	9.7	16.6*	6.5	11.2	4.7	7.9	3.4	5.8	3.0	5.1	9.7
-1.5	17.6	21.0*	9.2	16.7*	6.2	10.8	4.5	7.6	3.3	5.7	3.2	5.5	9.3
-3.0	17.5	25.1*	9.1	16.5*	6.0	10.7	4.3	7.5			3.6	4.9*	8.5
-4.5	17.8	21.8*	9.2	14.6*	5.9	9.2*					3.4*	3.4*	7.4
-6.0	10.8*	10.8*									8.3*	8.3*	3.7
10.5			7.8*	7.8*	7.2*	7.2*					7.0*	7.0*	5.0
9.0					7.3*	7.3*					5.8*	5.8*	7.0
7.5					8.0*	8.0*	5.7	7.7*			4.7	5.3*	8.3
6.0					8.0*	8.0*	5.8	7.7*	4.0	5.5*	3.9	5.2*	9.1
4.5	12.7*	12.7*	11.0*	11.0*	8.1	10.0*	5.7	8.9*	4.0	7.2*	3.5	5.1*	9.6
3.0	21.5*	21.5*	11.8	15.8*	7.8	11.7*	5.5	9.4*	3.9	7.9*	3.2	5.3*	9.9
1.5	21.1	22.1*	11.1	16.7*	7.3	12.2*	5.2	9.6*	3.8	7.8*	3.1	5.6*	9.9
0	18.3*	18.3*	10.3	16.6*	6.8	12.1*	4.9	9.5*	3.6	7.7*	3.2	6.1*	9.7
-1.5	18.8	21.0*	9.8	16.7*	6.5	12.2*	4.7	9.6*	3.5	6.8*	3.4	5.7*	9.3
-3.0	18.7	25.1*	9.6	16.5*	6.4	12.1*	4.5	8.5*			3.8	4.9*	8.5
-4.5	19.1	21.8*	9.7	14.6*	6.3	9.2*					3.4*	3.4*	7.4
-6.0	10.8*	10.8*									8.3*	8.3*	3.7
10.5			7.8*	7.8*	7.2*	7.2*					7.0*	7.0*	5.0
9.0					7.3*	7.3*					5.8*	5.8*	7.0
7.5					8.0*	8.0*	5.6	6.9*			4.6	5.3*	8.3
6.0					8.0*	8.0*	5.7	7.7*	3.9	5.5*	3.8	5.2*	9.1
4.5	12.7*	12.7*	11.0*	11.0*	7.9	10.0*	5.6	8.4	3.9	6.2	3.3	5.1*	9.6
3.0	21.5*	21.5*	11.7	15.8*	7.7	11.4	5.4	8.3	3.8	6.1	3.1	5.1	9.9
1.5	21.1	22.1*	11.0	16.7*	7.2	11.2	5.1	8.2	3.7	6.0	3.0	5.0	9.9
0	18.3*	18.3*	10.1	16.6*	6.7	11.2	4.8	7.9	3.5	5.8	3.1	5.1	9.7
-1.5	18.8	21.0*	9.6	16.7*	6.3	10.8	4.6	7.6	3.4	5.7	3.2	5.4	9.3
-3.0	18.7	25.1*	9.4	16.5*	6.2	10.6	4.4	7.4			3.7	4.9*	8.5
-4.5	19.0	21.8*	9.5	14.6*	6.1	9.2*					3.4*	3.4*	7.4
-6.0	10.8*	10.8*									8.3*	8.3*	3.7
10.5			7.8*	7.8*	7.2*	7.2*					7.0*	7.0*	5.0
9.0					7.3*	7.3*					5.8*	5.8*	7.0
7.5					8.0*	8.0*	5.9	6.9*			4.9	5.3*	8.3
6.0					8.0*	8.0*	6.0	7.7*	4.2	5.5*	4.1	5.2*	9.1
4.5	12.7*	12.7*	11.0*	11.0*	8.4	10.0*	6.0	8.4	4.2	6.2	3.6	5.1*	9.6
3.0	21.5*	21.5*	12.4	15.8*	8.2	11.5	5.8	8.3	4.1	6.1	3.4	5.1	9.9
1.5	22.1*	22.1*	11.9	16.7*	7.7	11.3	5.5	8.2	3.9	6.0	3.3	5.0	9.9
0	18.3*	18.3*	11.0	16.6*	7.2	11.2	5.2	7.9	3.8	5.8	3.3	5.1	9.7
-1.5	20.9	21.0*	10.5	16.7*	6.9	10.8	4.9	7.6	3.7	5.7	3.5	5.5	9.3
-3.0	20.8	25.1*	10.3	16.5*	6.7	10.7	4.8	7.5			4.0	4.9*	8.5
-4.5	21.2	21.8*	10.4	14.6*	6.6	9.2*					3.4*	3.4*	7.4
-6.0	10.8*	10.8*									8.3*	8.3*	3.7
10.5			7.8*	7.8*	7.2*	7.2*					7.0*	7.0*	5.0
9.0					7.3*	7.3*					5.8*	5.8*	7.0
7.5					8.0*	8.0*	6.4	6.9*			5.3	5.3*	8.3
6.0					8.0*	8.0*	6.4	7.7*	4.5	5.5*	4.4	5.2*	9.1
4.5	12.7*	12.7*	11.0*	11.0*	8.9	10.0*	6.4	8.5	4.5	6.2	3.9	5.1*	9.6
3.0	21.5*	21.5*	13.1	15.8*	8.7	11.5	6.2	8.3	4.4	6.1	3.7	5.2	9.9
1.5	22.1*	22.1*	12.8	16.7*	8.3	11.3	5.9	8.2	4.3	6.0	3.6	5.0	9.9
0	18.3*	18.3*	11.8	16.6*	7.8	11.2	5.6	7.9	4.1	5.8	3.6	5.1	9.7
-1.5	21.0*	21.0*	11.3	16.7*	7.4	10.9	5.4	7.7	4.0	5.7	3.9	5.5	9.3
-3.0	22.6	25.1*	11.1	16.5*	7.3	10.7	5.2	7.5			4.4	4.9*	8.5
-4.5	21.8*	21.8*	11.2	14.6*	7.2	9.2*					3.4*	3.4*	7.4
-6.0	10.8*	10.8*									8.3*	8.3*	3.7
10.5			7.8*	7.8*	7.2*	7.2*					7.0*	7.0*	5.0
9.0					7.3*	7.3*					5.8*	5.8*	7.0
7.5					8.0*	8.0*	6.6	6.9*			5.3*	5.3*	8.3
6.0					8.0*	8.0*	6.7	7.7*	4.7	5.5*	4.6	5.2*	9.1
4.5	12.7*	12.7*	11.0*	11.0*	9.2	10.0*	6.6	8.9*	4.7	7.2*	4.1	5.1*	9.6
3.0	21.5*	21.5*	13.5	15.8*	9.0	11.7*	6.4	9.4*	4.6	7.9*	3.8	5.3*	9.9
1.5	22.1*	22.1*	13.3	16.7*	8.6	12.2*	6.1	9.6*	4.5	7.8*	3.7	5.6*	9.9
0	18.3*	18.3*	12.4	16.6*	8.1	12.1*	5.9	9.5*	4.3	7.7*	3.8	6.1*	9.7
-1.5	21.0*	21.0*	11.9	16.7*	7.8	12.2*	5.6	9.6*	4.2	6.8*	4.0	5.7*	9.3
-3.0	24.0	25.1*	11.7	16.5*	7.6	12.1*	5.4	8.5*			4.5	4.9*	8.5
-4.5	21.8*	21.8*	11.8	14.6*	7.5	9.2*					3.4*	3.4*	7.4
-6.0	10.8*	10.8*									8.3*	8.3*	3.7

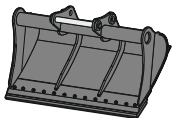
Height Can be slewed through 360° In longitudinal position of undercarriage Max. reach * Limited by hydr. capacity

The load values are quoted in tons (t) at stick end (without bucket), and may be swung 360° on firm and even ground. Adjacent values are valid for the undercarriage when in the longitudinal position. Capacities are valid for 600 mm wide track pads with adjusting cylinder in optimal position. Indicated loads are based on ISO 10567 standard and do not exceed 75% of tipping or 87% of hydraulic capacity (indicated via *). Without bucket cylinder, link and lever the lift capacities will increase by 410 kg. Lifting capacity of the excavator is limited by machine stability and hydraulic capacity.

According to European Standard, EN 474-5: In the European Union excavators have to be equipped with an overload warning device, a load diagram and automatic safety check valves on hoist cylinders and stick cylinder(s), when they are used for lifting operations which require the use of lifting accessories.

Determine maximum load lift from load lift chart displayed in the operator's cab or from load lift chart detailed in the operator's manual supplied with the machine.

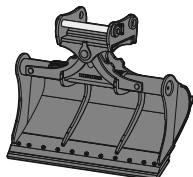
Attachments



Rigid ditch cleaning bucket

GRL 05, for mounting to quick coupler SWA 66

Cutting width	mm	2,000	2,400	2,400
Capacity	m ³	0.70	0.85	1.25
Weight	kg	546	635	685



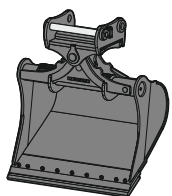
Tiltable ditch cleaning bucket

GRL 100, 2 x 50° tiltable, for direct mounting

Cutting width	mm	2,000	2,000	2,200	2,400	2,400
Capacity	m ³	1.20	1.45	1.65	0.85	1.45
Weight	kg	1,520	1,600	1,680	1,475	1,620

GRL 100, 2 x 50° tiltable, for mounting to quick coupler SWA 66

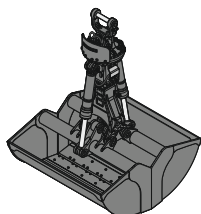
Cutting width	mm	2,000	2,000	2,200	2,400	2,400
Capacity	m ³	1.20	1.45	1.65	0.85	1.45
Weight	kg	1,520	1,600	1,680	1,475	1,620



Tilt bucket

SL 100, 2 x 50° tiltable, for mounting to quick coupler SWA 66

Cutting width	mm	1,600	1,600	1,700	1,800
Capacity	m ³	1.45	1.75	1.85	1.60
Weight	kg	1,520	1,635	1,695	1,620
HD version				X	



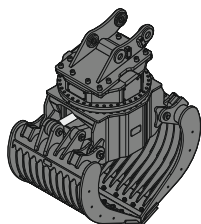
Clamshell grab

GMZ 30, clamshell buckets, for mounting to quick coupler SWA 48

Cutting width	mm	600	800	1,000
Capacity	m ³	0.38	0.52	0.65
Weight	kg	1,025	1,110	1,190

GMZ 80, clamshell buckets, for mounting to quick coupler SWA 66

Cutting width	mm	1,200	1,400
Capacity	m ³	1.40	1.60
Weight	kg	2,376	2,486



Sorting grab

		perforated			ribbed			closed			stone tong
SG 30, for direct mounting											
Cutting width	mm	1,000	1,200	1,400	1,000	1,200	1,400	1,000	1,200	1,400	1,020
Capacity	m ³	0.85	1.00	1.15	0.75	0.90	1.05	0.85	1.00	1.15	0.85
Weight	kg	1,700	1,570	1,850	1,775	1,885	1,990	1,730	1,810	1,890	1,765
SG 30, for mounting to quick coupler SWA 48											
Cutting width	mm	1,000	1,200	1,400	1,000	1,200	1,400	1,000	1,200	1,400	1,020
Capacity	m ³	0.85	1.00	1.15	0.75	0.90	1.05	0.85	1.00	1.15	0.85
Weight	kg	1,700	1,570	1,850	1,775	1,885	1,990	1,730	1,810	1,890	1,765
SG 40, for mounting to quick coupler SWA 48 and SWA 66											
Cutting width	mm	1,100	1,300		1,100	1,300					
Capacity	m ³	1.30	1.60		1.10	1.40					
Weight	kg	2,230	2,800		2,320	2,900					

Serial equipment

Undercarriage

Lashing eyes
Sprocket double-toothed
Track and carrier rollers, sealed and lifetime-lubricated

Uppercarriage

Anti-skid surfaces
Automatic swing brake lock
Centralised lubrication system (automatic)
DEF tank filling indicator
DEF tank lockable access hatch
Engine hood with gas spring opening
Filters accessible from ground level
Handrails
Hydraulic oil level, visible from ground level
Lockable fuel tank cap
Lockable service doors
Main switch, manual, lockable
Protection grid on radiator fan
Sound insulation
Swing drive gearbox oil level, visible from the cab
Swing-out radiators
Windshield washer fluid tank

Hydraulic system

Filter with integrated fine filters
Hydraulic pressure measuring ports
Liebherr Positive Control system with 2 independent circuits
Magnetic rod
Pressure accumulator for controlled lowering of equipment with engine turned off

Engine

Air filter with automatic dust ejector
Automatic engine idling / speed increase, controlled via joystick sensors
Common-Rail injection system
Exhaust gas after-treatment system – DOC + SCR Filter
Fixed geometry turbocharger
Fuel fine filter
Fuel pre-filter and water separator
Fuel priming pump
Intercooler
Power Pack EU Stage V
Stepless adjustable engine speed

Cab

7" multifunction colour touchscreen
Air conditioning, automatic, tri-zone, controlled via display
Armrests adjustable in length, height and inclination
Bottle holder
Cab air filters housing, accessible from ground level
Cab door sliding windows
Cigarette lighter
Coat hook
DEF consumption on touchscreen
DEF level on touchscreen
Electric socket in cabin (12 V)
Electric socket in cabin (24 V)
Emergency hammer
Engine oil level on touchscreen
Fuel consumption on touchscreen
Fuel level on touchscreen
Hydraulic oil level on touchscreen
Interior lighting
Laminated right hand side window
LiDAT Plus (Liebherr data transfer system)*
Mechanical hour meters, visible from ground level
Movement priority between swing and boom, adjustable via touchscreen
Movement priority for stick-in, adjustable via touchscreen
Rain hood over front window opening
Rearview mirror
Rear view monitoring camera
Rear window emergency exit
Roll-down sun blinds for windscreen and roof window
ROPS safety cab structure (ISO 12117-2)
Rubber floor mat, fixed on floor and removable
Shortcut button on joystick configurable
Storage box
Storage nets
Storage spaces
Tilttable console left
Tinted windows
Visco-elastic damping
Windscreen wiper and washer
Work mode selector

Equipment

Boom cylinders regeneration
Pipe fracture safety valve for stick cylinder
Pipe fracture safety valves for boom cylinders
Pivot points made of cast steel
SAE split flanges on high pressure lines
Stick cylinder regeneration

* optionally extendable after one year

Equipment standard / option

Undercarriage

Chain guide 1 piece	●
Chain guide 3 pieces	+
Chain guide 4 pieces	+
Cover and base plate for undercarriage centre section	●
Dozer and stabilizer blade 3,000 mm	+
Dozer and stabilizer blade 3,350 mm	+
Reinforced cover and base plate for undercarriage centre section	+
Special painting	+
Steps	●
Steps wide	+
Track pads triple grouser 600 mm	●
Track pads triple grouser 700 / 800 / 900 mm	+
Track pads triple grouser reinforced 600 / 700 / 800 mm	+
Tracks, sealed and greased	●
Tracks, sealed and greased, reinforced	+
Undercarriage LC	+
Undercarriage NLC	+
Undercarriage SLC	+
Undercarriage storage compartment	+

Uppercarriage

Air pre-filter with cyclonical dust trap	+
Counterweight standard 8.0 t	●
Electric socket on uppercarriage (24 V)	+
Extended tool set including tool box	+
Fuel anti-theft protection	+
Headlight on uppercarriage, front left, LED+, 1 piece, protection included	+D
Headlight on uppercarriage, front right, LED, 1 piece, protection included	●D
Headlight on uppercarriage, front right, LED+, 1 piece, protection included	+D
Headlight on uppercarriage, lateral right, LED+, 1 piece	+D
Headlights on uppercarriage, rear, LED+, 2 pieces	+D
Lighting for tank area	+D
Lighting for uppercarriage access	+D
Pre-heating system for fuel	+
Reflective warning stickers	+
Reversible fan drive	+
Rotating beacons on uppercarriage, rear, LED, 2 pieces	+
Skyview 360°	+
Special painting	+
Tank refilling pump fuel	+
Tool set including storage case	●
Uppercarriage bottom protection	+

Hydraulic system

Bypass filter for hydraulic oil	+
High pressure circuit bypass	+
High pressure circuit flow summation	+
Liebherr hydraulic oil	●
Liebherr hydraulic oil, adapted for extreme climate conditions	+
Liebherr hydraulic oil, biodegradable	+

Engine

Automatic engine shutdown after idling	+
Engine shut-down with overrun	+
Lighting for engine compartment	+D


Cab

2" seat belt with retractor	●
3" seat belt with retractor, orange colour	+
4-points seat belt	+
Acoustic travel alarm deactivatable	+
Auxiliary heater programmable	+
Bottom windscreen wiper	+
Coming / Leaving Home	+ ¹⁾
Cool box (12 V)	+
Dark tinted windows	+
Electronic immobiliser	+
Emergency stop in cab	+
FGPS front guard	+
FGPS front guard tiltable	+
Filter for hydraulic hammer return flow	+
Fire extinguisher	+
First-aid box	+
Footrest	+
FOPS top guard	+
FOPS top guard flat	+
Handrests elevated for joysticks	+
Headlights on cab, front, LED, 2 pieces	● ¹⁾
Headlights on cab, front, LED+, 2 pieces	+ ¹⁾
Headlights on cab roof, front, LED+, 2 pieces	+ ¹⁾
High pressure circuit switchable on pedals or mini-joystick	+
High pressure circuit with Tool Control (20 attachment adjustments on display)	+
Impact resistant one-piece windscreen	+
Impact resistant roof window	+
Integral protection guard	+
Laminated roof window	●
Lightbar on cabin	+
Lighting for cabin access	+ ¹⁾
Luminosity control (LED+ headlights)	+ ¹⁾
Medium pressure circuit	+
Mini-joysticks proportional	+
Movement restriction for boom	+
Movement restriction for stick	+
Operator seat Comfort	●
Operator seat Premium	+
Overload warning system	+
Preparation for machine guidance system	+
Preparation for tiltrotator	+
Radio Comfort	+
Radio pre-installation	●
Retractable laminated two-piece windscreen	●
Right hand side view monitoring camera	●
Roof sun shield	+
Roof window wiper	+
Rotating beacon on cabin, LED, 1 piece	+
Seat belt reminder	+
Special painting	+
Sun visor	+
Switch between high pressure and bucket cylinder controls	+
Windscreen bottom protection grid	+


Equipment

Bucket cylinder rod protection	+
Centralised lubrication extended for connecting link	+
Grapple hydraulic lines (bucket cylinder inactive)	+
Headlight guard on boom, right	+
Headlight guards on boom, right and left	+
Headlight on boom, left, LED+, 1 piece	+ ¹⁾
Headlight on boom, right, LED, 1 piece	● ¹⁾
Headlight on boom, right, LED+, 1 piece	+ ¹⁾
Headlight on stick, bottom, LED+, 1 piece	+ ¹⁾
Leak oil line for attachment	+
Lifting eye on stick 16.0 t	+
LIKUFIX electric signal plug	+
LIKUFIX for quick coupler SWA 48 hydraulic	+
LIKUFIX for quick coupler SWA 66 hydraulic	+
Load holding valve for bucket cylinder	+
Lubrication hoses protection on stick	+
Mono boom 6.20 m	+
Quick coupler SWA 48 hydraulic	+
Quick coupler SWA 48 mechanical	+
Quick coupler SWA 66 hydraulic	+
Quick coupler SWA 66 mechanical	+
Security for hoist cylinders	+
Special painting	+
Stick 2.50 m	+
Stick 3.20 m	+
Stick 3.70 m	+
Stick bottom protection	+
Tool Management	+
Two-piece boom 6.40 m	+

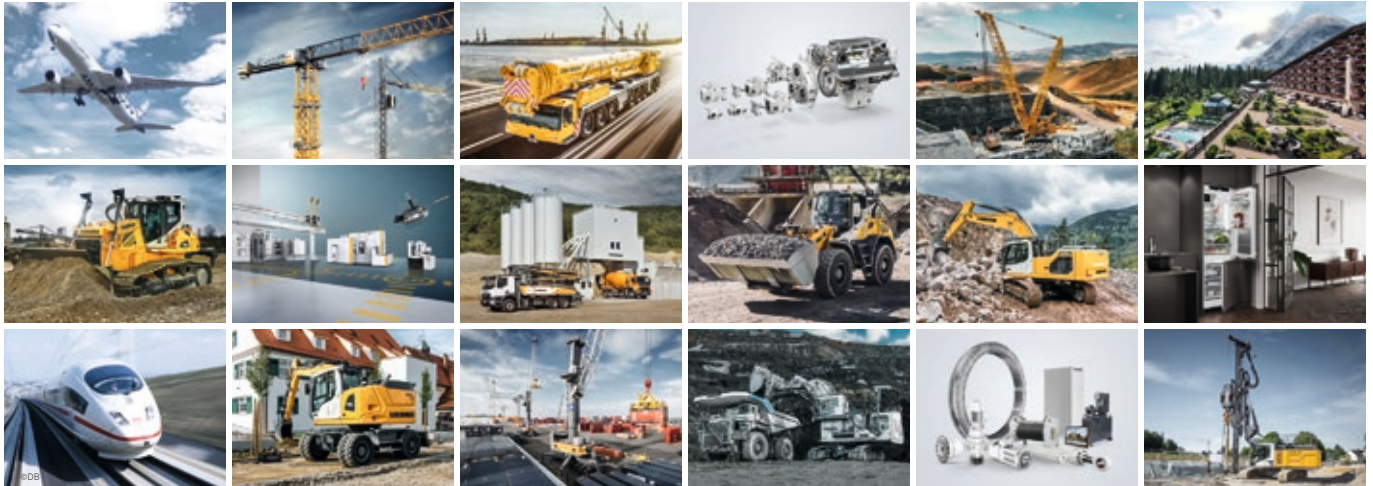
● = Standard, + = Option

¹⁾ Equipment not individually available, but only as predefined packages

Non-exhaustive list, please contact us for further information.

Options and /or special equipment, supplied by vendors other than Liebherr, are only to be installed with the knowledge and approval of Liebherr in order to retain warranty.

The Liebherr Group



Global and independent: more than 70 years of success

Liebherr was founded in 1949 when, with the development of the world's first mobile tower crane, Hans Liebherr laid the foundations for a family business now employing nearly 50,000 people and comprising over 140 companies across every continent.

The parent company is Liebherr-International AG in Bulle, Switzerland, whose associates are exclusively members of the Liebherr family.

Leaders and pioneers

Liebherr is a pioneer and its forward-looking approach has seen it make important contributions to technology history over a wide variety of industries. Employees throughout the world continue to share the courage of the founder, sharing a passion to produce innovative products and a determination to provide world-leading equipment and machinery.

Diversified portfolio

The company is one of the world's biggest construction equipment manufacturers and provides high-quality, user-oriented products and services to sectors including: earthmoving, material handling, deep foundations, mining, mobile and crawler cranes, tower cranes, concrete production and distribution, maritime cranes, aerospace and transportation, gear technology and automation, refrigeration and freezing, components and hotels.

Customised care

Liebherr solutions are characterised by precision, implementation and longevity. The company is committed to technological excellence and to providing customers with solutions that match their needs exactly. That customer focus does not end with delivery of a product but continues through a comprehensive range of back-up and support services.

www.liebherr.com

Liebherr-France SAS

2 avenue Joseph Rey, B.P. 90287 • 68005 Colmar Cedex, France • Phone +33 389 213030
info.lfr@liebherr.com • www.liebherr.com • www.facebook.com/LiebherrConstruction