

UF 501

Under counter freezer

LIEBHERR

Refrigeration and Freezing



home.liebherr.com



UF 501

Energy consumption (kWh / y)	302
Estimated Yearly Energy Cost in US \$	42
Sound rating dB(A)	38
Freezer capacity cu.ft. (l)	2.8 (79)
Electronic control	Touch electronic
Defrost type	Automatic
Number of FrostSafe Drawers	3
Temperature range °F (°C)	+ 7 to - 18°F (-14 to -28°C)
Interior Light	LED lighting
Door alarm	Yes
Door type	Panel ready
SoftSytem	Yes
Door hinges	Left, reversible
Product dimensions	
in inch (H / W / D)	32 1/4" / 23 9/16" / 21 11/16"
in cm (H / W / D)	82 / 59.7 / 55
Cut out dimensions	
in inch (H / W / D)	32 5/16-34 11/16 / 23 9/16 / 21 11/16
in cm (H / W / D)	82-88 / 60 / 55
Net weight lbs. (kg)	88 (39.9)
Voltage V / Hz	115/60

Accessories

Stainless steel panel with pre-drilled holes, vertical handle	9902830
Brushed aluminum square handle	9901561
Stainless-steel round handle	9904734

Features

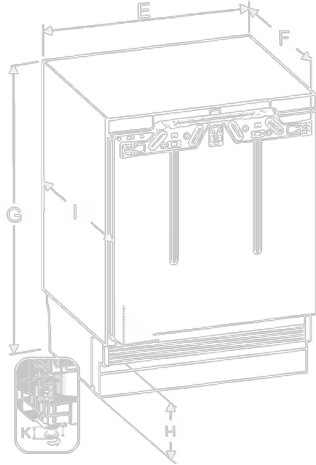
- LED** LED lighting is energy efficient, long-lasting, and maintenance-free. It illuminates the refrigerator to ensure that your foods are visible.
- Soft System** SoftSystem integrated into the appliance door, cushions the door closure, thus eliminating slamming, even when the shelves are fully loaded.
- ADA Compliant** ADA compliant, designed to fit under counter heights between 32" and 34".
- Frost Safe System** Simply quick freeze just-bought groceries to preserve optimum food freshness, while sealing in flavors and maintaining essential vitamins and minerals
- No Frost** When you open your freezer, you want to see frozen food – and certainly not ice and frost. NoFrost protects the freezer compartment from unwanted icing, which consumes a lot of energy and can be expensive.
- Silent** Noise levels are kept to a minimum thanks to virtually silent, speed-controlled, and sound absorbing compressors.

* Energy Cost will depend on utility rates and use. Estimated energy cost based on a national average electricity cost of 14 cents per kWh.

** Noise output – according to EN 60704-3

Diagrams

Appliance and Cabinet Dimensions



E	23 - 1/2" (597 mm)
F	closed: 21 - 5/8" (550 mm) max. opened: 55 - 5/8" (1412,9 mm)
G	adjustable feet screwed in: 32 - 1/4" (819,5 mm) adjustable feet screwed out max: 34 - 1/4" (869,5 mm)
H	6 - 5/8" - 8 - 9/16" (168 mm - 218 mm)
I	21 - 1/4" (540 mm)
K	max. height adjustment: 2" (max. 50 mm)

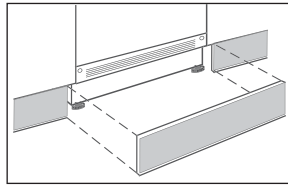
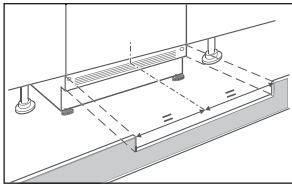
Toe Kick Installation

The toe kick installation will be different depending on the cabinetry where the appliance is installed. A toe kick panel will be required to cover the gap between the ventilation grill and the floor.

A cut-out in the toe kick panel is necessary when the toe kick covers the ventilation openings of the ventilation grill.

If the cabinets do not have a toe kick, a toe kick can be prepared and fitted just in front of the appliance.

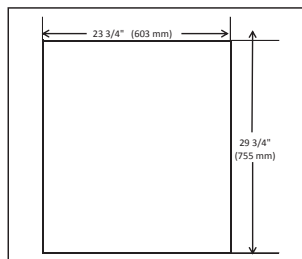
A stainless steel adjustable toe kick is provided with the unit. A custom panel toe kick can also be used.



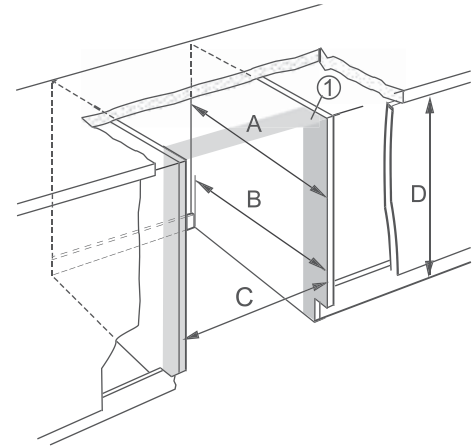
Door Panel for Standard Toe Kick

These panel dimensions are for inset flush installation in a standard cabinet opening of 24" (610 mm) wide with a cabinet that is 30" (762mm) tall plus a 4" (102 mm) or 4 1/2" (115 mm) toe kick.

If the cabinet opening is different you will need to modify the door panel accordingly.

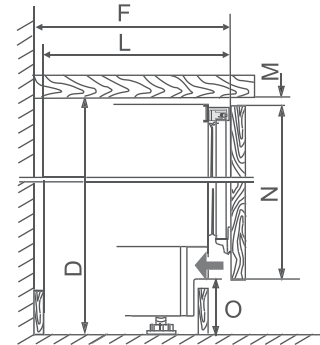


Cabinet Dimensions

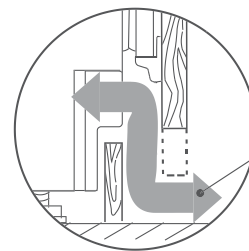


A	min. 21 - 5/8" (min. 550 mm)
B	21 - 1/4" (540 mm)
C	23 - 5/8" - 24" (600 mm - 610 mm)
D	32 - 1/4" - 34 - 5/8" (820 mm - 880 mm)
	3" (approx. 76 mm) of the cabinet needs to be finished as it can be seen when the door is open.

Side view



D	32 - 1/4" - 34 - 5/8" (820 mm - 880 mm)
F	closed: 21 - 5/8" (550 mm) max. opened: 55 - 5/8" (1412,9 mm)
L	21 - 1/4" (540 mm)
M	1/8" (4 mm)
N	25 - 7/16" - 30 - 5/16" (646 mm - 770 mm)
O	max. 4" - 6" (max. 102 mm - 152 mm)



A gap of 1 3/8" (35 mm) must be maintained to ensure sufficient ventilation.