



## Installation Guide

Quality, Design and Innovation



[home.liebherr.com/fridge-manuals](http://home.liebherr.com/fridge-manuals)





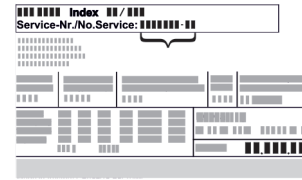


# LIEBHERR



# General safety instructions

## Contents

<b>1</b>	<b>General safety instructions.....</b>	<b>2</b>
<b>2</b>	<b>Installation conditions.....</b>	<b>3</b>
2.1	Location.....	3
2.2	Installing multiple appliances.....	3
2.3	Mains connection.....	3
<b>3</b>	<b>Appliance dimensions.....</b>	<b>4</b>
<b>4</b>	<b>Recess dimensions.....</b>	<b>4</b>
4.1	Internal dimensions.....	4
<b>5</b>	<b>Ventilation requirements.....</b>	<b>5</b>
<b>6</b>	<b>Transporting appliance.....</b>	<b>5</b>
<b>7</b>	<b>Unpacking the appliance.....</b>	<b>5</b>
<b>8</b>	<b>Setting up the appliance.....</b>	<b>5</b>
8.1	After installation.....	5
<b>9</b>	<b>Disposing of packaging.....</b>	<b>5</b>
<b>10</b>	<b>What the symbols mean.....</b>	<b>5</b>
<b>11</b>	<b>**** freezer compartment door*.....</b>	<b>6</b>
11.1	Moving the door hinge.....	6
<b>12</b>	<b>Reversing the door.....</b>	<b>6</b>
<b>13</b>	<b>Installing the appliance in the recess.....</b>	<b>8</b>
<b>14</b>	<b>Mounting the décor panel.....</b>	<b>12</b>
<b>15</b>	<b>Mounting the décor panel with adapter panels...</b>	<b>12</b>
<b>16</b>	<b>Connecting the appliance to the power supply....</b>	<b>13</b>

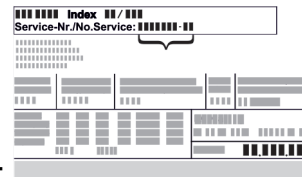
The manufacturer is continually working on the further development of all types and models. Please be aware that we reserve the right to make changes to the shape, equipment and technology.

Symbol	Explanation
	<b>Read instructions</b> Please read the information in these instructions carefully to understand all of the benefits of your new appliance.
	<b>Full instructions on the internet</b> You can find detailed instructions on the internet using the QR code on the front of these instruction or by entering the service number at <a href="http://home.liebherr.com/fridge-manuals">home.liebherr.com/fridge-manuals</a> . The service number can be found on the serial tag:  <i>Fig. Example illustration</i>
	<b>Check appliance</b> Check all parts for transport damage. If you have any complaints, please contact your agent or customer service.
	<b>Differences</b> These instructions apply to a range of models, so differences are possible. Sections that apply to certain models only are marked with an asterisk (*).

Symbol	Explanation
	<b>Instructions and results</b> Instructions are marked with a ▶. Results are marked with a ▷.
	<b>Videos</b> Videos about the appliances are available on the YouTube channels of Liebherr-Hausgeräte.




## 1 General safety instructions

- Please keep this assembly manual in a safe place so you can refer back to it at any time.
- If you pass the appliance on, please hand this assembly manual to the next user.
- Read this assembly manual carefully before installation and use to ensure safe and correct use of the appliance. Follow the instructions, safety instructions and warning messages included at all times. They are important for ensuring you can operate and install the appliance safely and without any problems.
- First read the general safety instructions in the “General safety instructions” section of the **operating instructions**, which accompany these installation instructions, and follow them. If you cannot find the **operating instructions**, you can download the **operating instructions** from the internet by entering the service number at [home.liebherr.com/fridge-manuals](http://home.liebherr.com/fridge-manuals). The service number can be found on the serial



tag:

- **Observe the warning messages and other detailed information in the other sections when installing the appliance:**

	DANGER	identifies a situation involving direct danger which, if not obviated, may result in death or severe bodily injury.
	WARNING	identifies a dangerous situation which, if not obviated, may result in death or severe bodily injury.
	CAUTION	identifies a dangerous situation which, if not obviated, may result in minor or medium bodily injury.
	NOTICE	identifies a dangerous situation which, if not obviated, may result in damage to property.

Note	identifies useful instructions and tips.
------	--

## 2 Installation conditions



### WARNING

Fire hazard due to dampness!

If live parts or the mains lead become damp this may cause short circuits.

- ▶ The appliance is designed for use in enclosed areas. Do not operate the appliance outdoors or in areas where it is exposed to splash water or damp conditions.

Intended use

- Install and use the appliance in indoor spaces only.
- Use the appliance only once installed.

### 2.1 Location



### WARNING

Leaking coolant and oil!

Fire. The coolant contained in the appliance is eco-friendly, but also flammable. The oil contained in the appliance is flammable. Escaping coolant and oil can ignite if the concentration is high enough and in contact with an external heat source.

- ▶ Do not damage the pipelines of the coolant circuit and the compressor.

- If the appliance is installed in a very humid environment, condensation can build up on the outside of the unit. Always ensure good airflow and ventilation in the installation location.
- The more refrigerant there is in the appliance, the larger the space that it is installed in must be. If the space is too small, any leak may create a flammable mixture of gas and air. For every 8 g of refrigerant, the installation space must be at least 1 m<sup>3</sup>. Information regarding the coolant can be found on the serial tag inside the appliance.

#### 2.1.1 Supporting floor

- The floor of the installation site must be horizontal and even.
- If you are installing the unit in a cabinet standing on an uneven floor: level the cabinet.

#### 2.1.2 Positioning

- Do not install appliance in direct sunlight or next to an oven, radiator or similar.
- Only fit the appliance into solid kitchen units.

## 2.2 Installing multiple appliances

### NOTICE

Risk of damage due to condensate!

- ▶ Do not install the appliance directly alongside a further refrigerator/freezer.

### NOTICE

Risk of damage due to condensation!

- ▶ Do not install the appliance directly above another refrigerator or freezer.

These appliances are designed for a variety of installation options. Combine appliances only if the appliance is suitable. The following table shows the installation options by model:

Installation option	Model
Single	All models
Side-by-side (SBS)	Model names starting with <b>S...</b>
Stacked	Models up to a maximum recess height of 880 mm and with a heated cover can be "stacked". Upper appliance: up to a maximum recess height of 140 mm

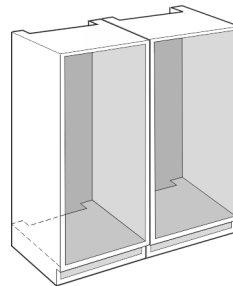


Fig. 1

Build each appliance into a separate recess.

## 2.3 Mains connection



### WARNING

Danger of fire due to incorrect positioning!

If the mains cable or plug touches the back of the appliance, the vibration can damage the mains cable or the plug resulting in a short circuit.

- ▶ Make sure the mains cable is not trapped under the appliance when you position the appliance.
- ▶ Stand the appliance so that it is not touched by connectors or main cables.
- ▶ Do not connect any appliances to sockets in the area of the back of the appliance.
- ▶ Do **not** place and operate multi-sockets/power distributors and other electronic devices (such as halogen transformers) at the back of the appliances.

# Appliance dimensions

## 3 Appliance dimensions

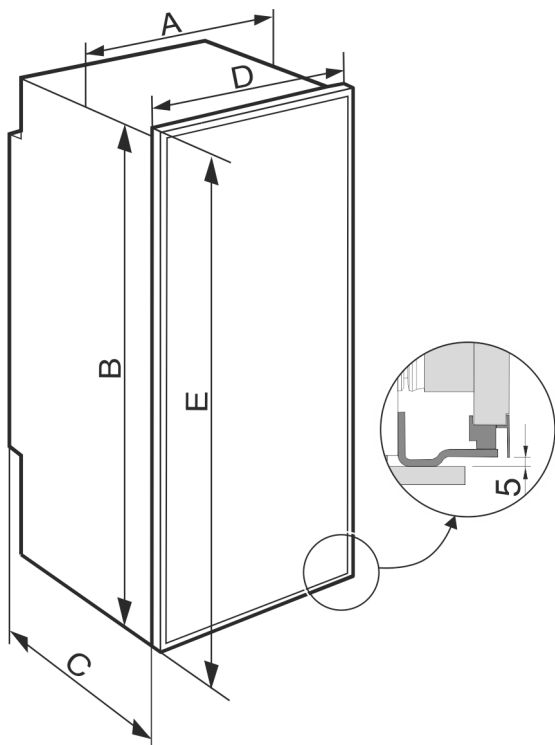


Fig. 2

DR.. 39..	
<b>A (mm)</b>	557
<b>B (mm)</b>	872
<b>C (mm)</b>	512
<b>D (mm)</b>	591
<b>E (mm)</b>	888

DR.. 41..	
<b>A (mm)</b>	557
<b>B (mm)</b>	1213
<b>C (mm)</b>	512
<b>D (mm)</b>	591
<b>E (mm)</b>	1232

## 4 Recess dimensions

### 4.1 Internal dimensions

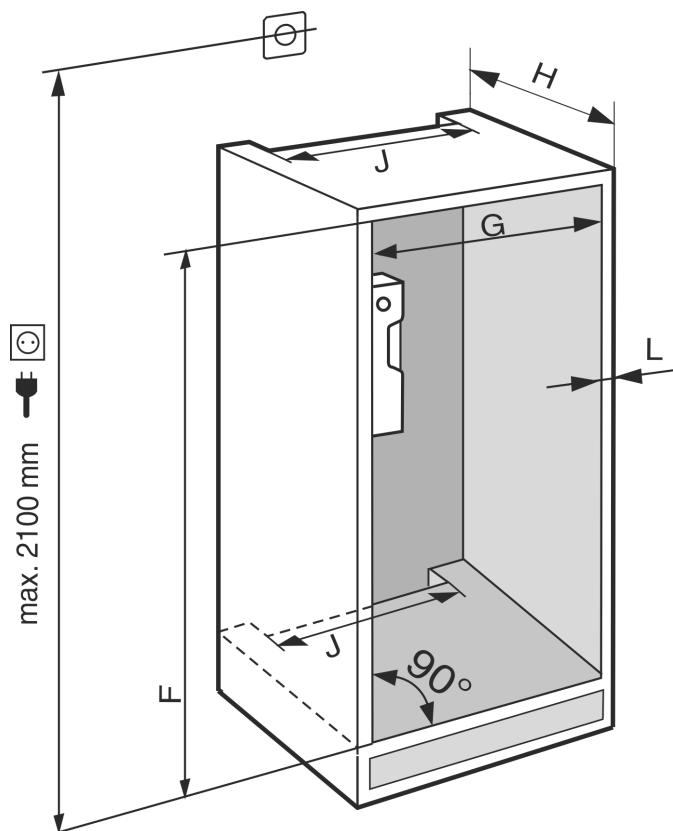


Fig. 3

DR.. 39..	
<b>F (mm)</b>	874 to 880
<b>G (mm)</b>	560 to 570
<b>H (mm)</b>	min. 550, recommended 560
<b>J (mm)</b>	min. 500
<b>L (mm)</b>	max. 19

DR.. 41..	
<b>F (mm)</b>	1216 to 1226
<b>G (mm)</b>	560 to 570
<b>H (mm)</b>	min. 550, recommended 560
<b>J (mm)</b>	min. 500
<b>L (mm)</b>	max. 19

The specified energy consumption was determined with a kitchen unit depth of 560 mm . The device will work properly at a kitchen unit depth of 550 mm , but with a slightly higher energy consumption.

- ▶ Check the wall thickness of adjacent cabinets: They must have a minimum of 16 mm .
- ▶ Only fit the appliance into stable, solid kitchen units. Secure the unit against tipping.
- ▶ Align the cabinets with a spirit level and a try square. If necessary, level them by putting something underneath them.
- ▶ Make sure floor and the side panels of the cabinet are at right angles to each other.

## 5 Ventilation requirements

### NOTICE

Covered vents!

Damage. Appliance can overheat, which can reduce the service life of various parts of the appliance and lead to operational impairments.

- ▶ Always make sure there is good ventilation.
- ▶ Always keep vents or ventilation grids in the appliance housing and in the kitchen furniture (fully integrated appliance) unobstructed.
- ▶ Always keep the fan air vents unobstructed.

Always follow the required ventilation gaps:

- The depth of the ventilation shaft at the back of the cabinet must be at least 38 mm.
- At least 200 cm<sup>2</sup> is required for the ventilation gap cross sections in the plinth and the housing cabinet.
- As a rule, the larger the ventilation cross-section, the more efficiently the appliance will run.

Sufficient ventilation is required for the operation of the appliance. The ventilation grids provided ensure an effective ventilation cross-section on the appliance of 200 cm<sup>2</sup>. If you replace the ventilation grids with a cover plate the ventilation cross-section must be at least as large as the ventilation grid provided by the manufacturer.

## 6 Transporting appliance

### Note when transporting the appliance:

- ▶ Transport the appliance upright.
- ▶ Use two people to transport the appliance.

### During first use:

- ▶ Transport the appliance packaged.

### When transporting appliances after initial commissioning (e. g. moving or cleaning):

- ▶ Empty the appliance.
- ▶ Secure the door against unintentional opening.

## 7 Unpacking the appliance

Before you connect the appliance, report any damage immediately to the delivery company.

- ▶ Check the appliance and the packaging for damage during transport. Contact the supplier immediately if you suspect any level of damage.
- ▶ Remove all materials from the back or the side walls of the appliance that may prevent proper installation or ventilation.
- ▶ Remove all protective films from the appliance. Do not use sharp or pointed objects for this.

## 8 Setting up the appliance



### CAUTION

Risk of injury due to heavy appliance!

- ▶ Have two people transport the appliance to its installation site.



### WARNING

Danger of injury and damage due to the appliance being unstable!

The appliance can topple over.

- ▶ Secure the appliance as described in the instructions.



### WARNING

Fire hazard and danger of damage!

- ▶ Do not place appliances emitting heat e.g. microwaves, toasters etc. on the appliance!

If possible, have the appliance installed in the kitchen unit by a professional.

Do not install the appliance on your own.

## 8.1 After installation

- ▶ Remove all transport safety components.
- ▶ Clean the appliance (see User Guide, Cleaning the appliance).

## 9 Disposing of packaging



### WARNING

Danger of suffocation due to packing material and plastic film!

- ▶ Do not allow children to play with packing material.






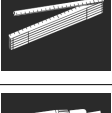
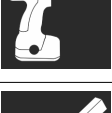
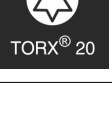

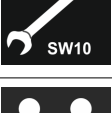
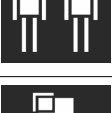
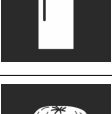


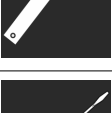


The packaging is made of recyclable materials:




- corrugated board/cardboard
- expanded polystyrene parts
- polythene bags and sheets
- polypropylene straps
- nailed wooden frame with polyethylene panel\*
- ▶ Take the packaging material to an official collecting point.

## 10 What the symbols mean

	Risk of injury here! Follow the safety notes!
	These instructions apply to a range of models. Follow this step only if it applies to your appliance.
	To install, please follow the detailed description in the Guide.
	This section applies either to a single-door appliance or a double-door appliance.
	Choose one of the options: Appliance with right-hinged door or appliance with left-hinged door.
	Installation step required if your model has IceMaker and/or Infinity-Spring.

## \*\*\*\* freezer compartment door\*

	Just loosen the screws or tighten them slightly.
	Tighten the screws.
	Check to see if the next step applies for your model.
	Check the correct assembly/seat of the components used.
	Measure the specified measurement and adjust if necessary.
	Tool for assembly: Metre rule
 	Tool for assembly: Cordless screwdriver and attachments
	Tool for assembly: Spirit level
	Tool for assembly: Size 7 and size 10 spanners
	Two people are required for this step.
 	Carry out this step at the marked place on the appliance.
	Aids for assembly: String
	Aids for assembly: Square
	Aids for assembly: Screwdriver
	Aids for assembly: Scissors

	Aids for assembly: Non-permanent marker pen
	Accessory kit: Remove components
	Dispose of components that are no longer needed.

## 11 \*\*\*\* freezer compartment door\*

It is very easy to reposition the hinge of the \*\*\*\* freezer compartment door if the main door hinge is swapped. If the main door of the appliance can be opened to more than 115° (1), you can open the freezer compartment without repositioning the hinge. If the opening angle (2) of the appliance door is less than this, the hinge must be repositioned.

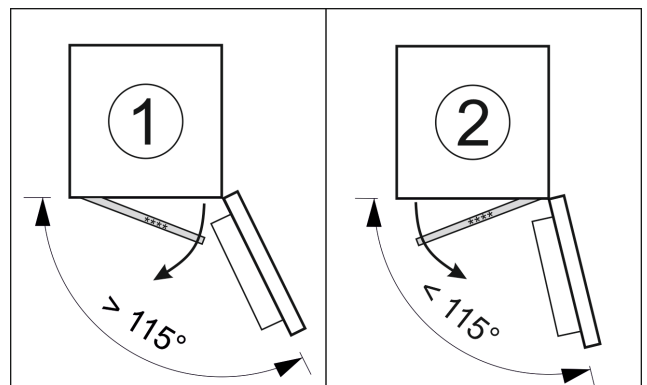


Fig. 4

### 11.1 Moving the door hinge

The slider for moving the door hinge is located on the back of the \*\*\*\* freezer compartment door at the bottom.

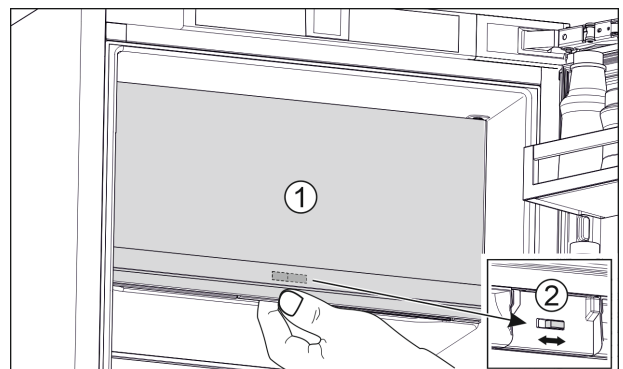


Fig. 5

- ▶ Close the \*\*\*\* freezer compartment door (1).
- ▶ Grab the \*\*\*\* freezer compartment door from below.
- ▶ Move the slider (2) either to the right or to the left.

## 12 Reversing the door

Tool



Fig. 6

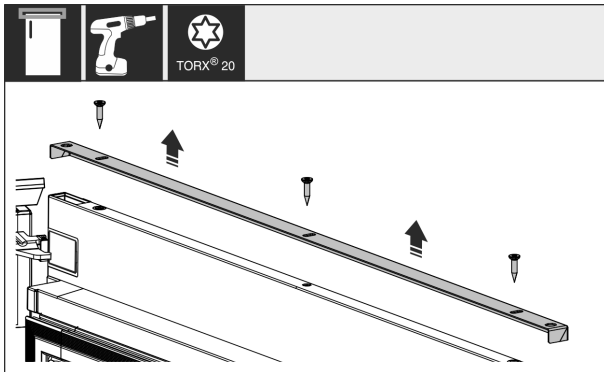


Fig. 7

- Unscrew the bar on the top of the appliance door.

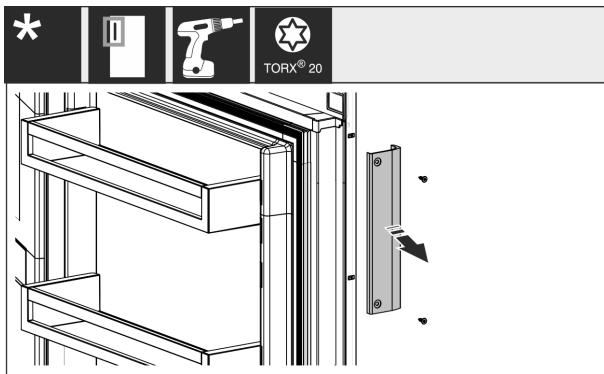


Fig. 8

- If already assembled, unscrew the handle and set aside with the screws.

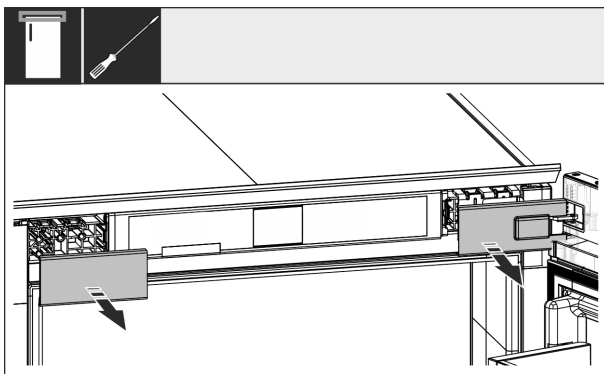


Fig. 9

- Remove covers.

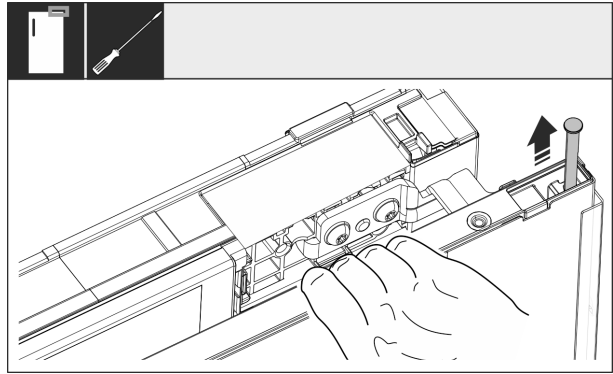


Fig. 10

- On the hinge side, pull out the bearing part with the help of a screwdriver. Secure the door from falling out.

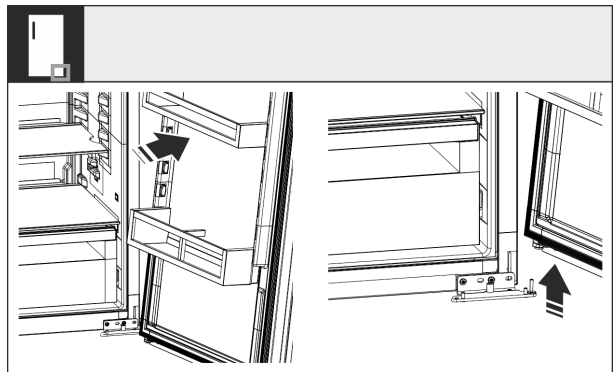


Fig. 11

- Slightly tilt the door and take off from the lower bearing bracket.

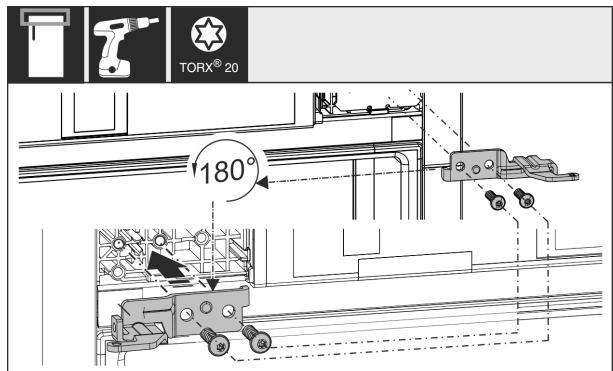


Fig. 12

- Shift and tightly screw the upper bearing bracket at 180° to the opposite side.

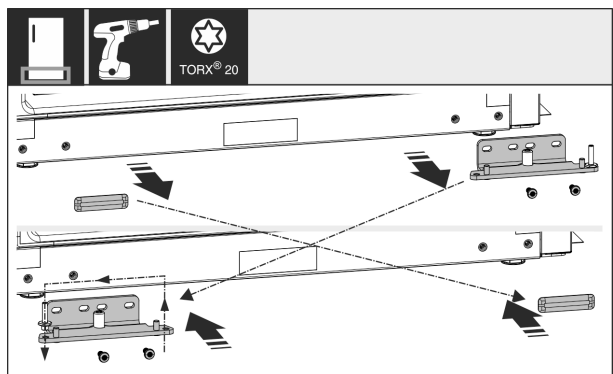


Fig. 13

- Unscrew and shift the lower bearing bracket. Remove the bearing bolt from the bearing block and re-insert it on the other side. Screw on the bearing block.

# Installing the appliance in the recess

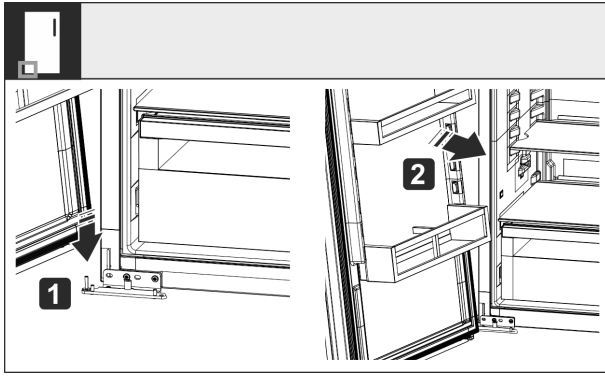


Fig. 14

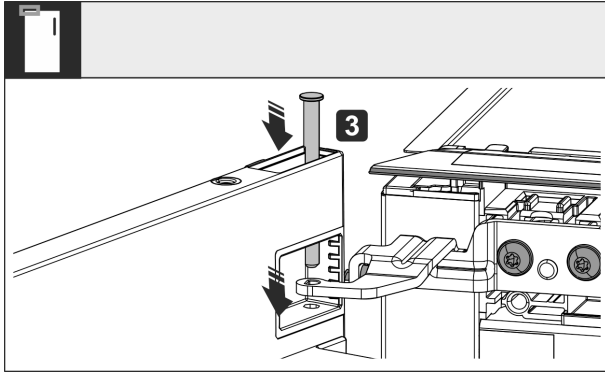


Fig. 15

- ▶ Mount the door on the other side as follows: 1. Place the door on the lower bearing block. 2. Align the door and slide the groove onto the bearing bracket. 3. Slide the bearing part into the top of the door and through the bearing block.

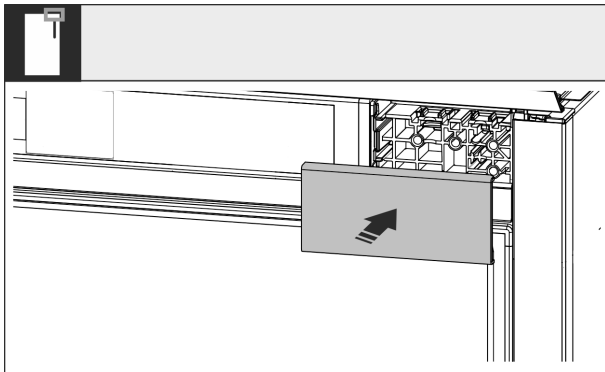


Fig. 16

- ▶ Place the cover on the handle side.

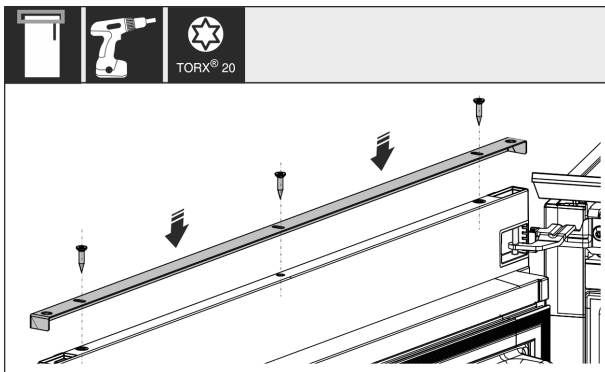


Fig. 17

- ▶ Screw on the bar.

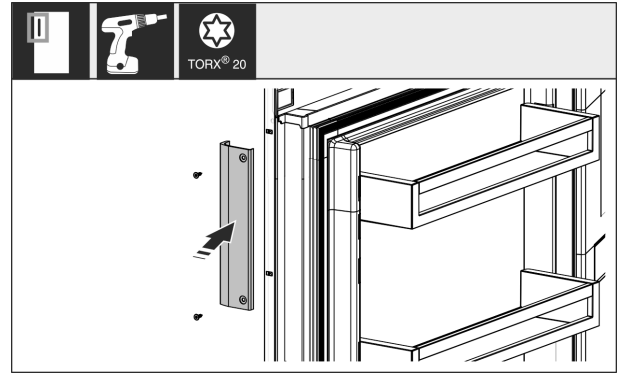


Fig. 18

- ▶ Screw on the handle. Cover all screws with push-in covers.
- ▶ Check the screws.

## 13 Installing the appliance in the recess

### Tools and materials



Fig. 19

### Supplied assembly parts



# Installing the appliance in the recess

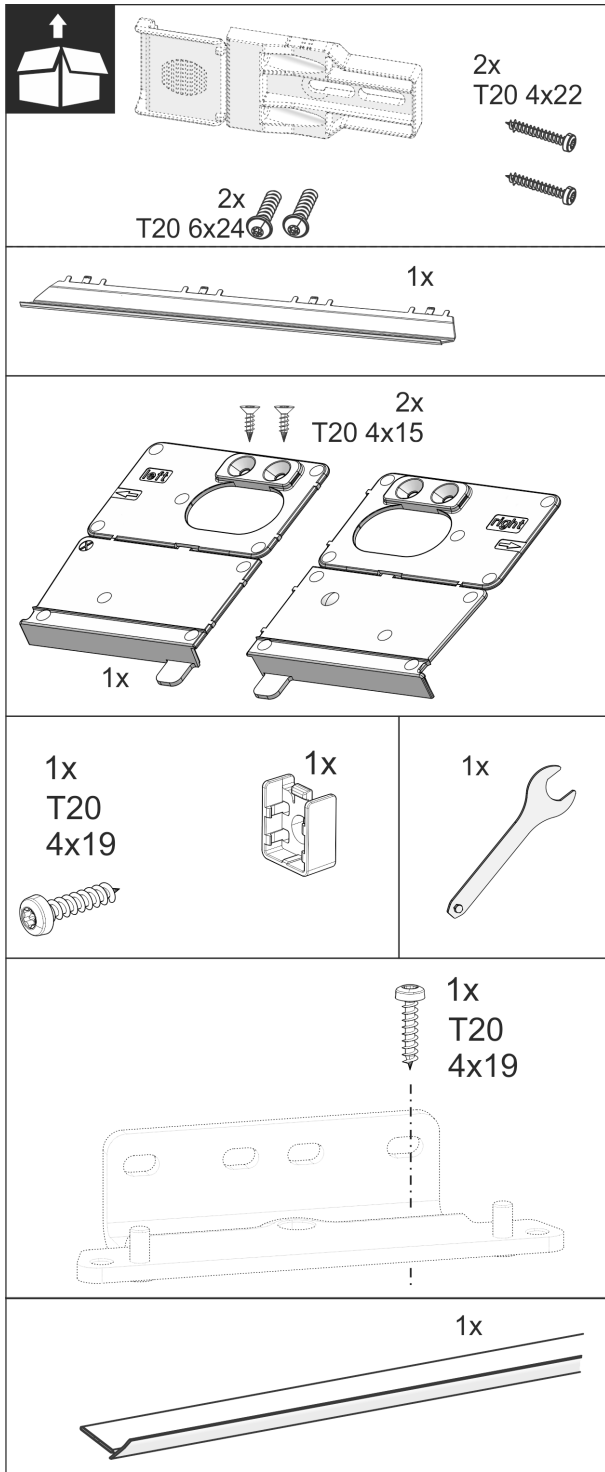


Fig. 20

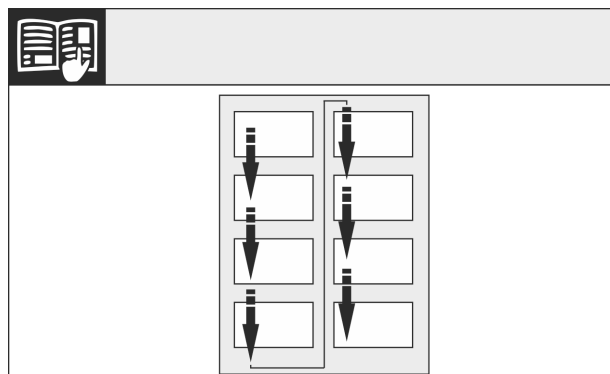


Fig. 21

- ▶ Follow the steps in order.

## NOTICE

Correct installation depth of the appliance.

- ▶ Using the mounting bracket ensures the correct installation depth of the appliance.

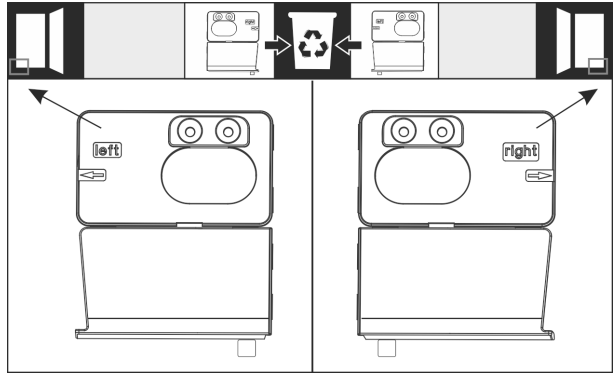


Fig. 22

- ▶ Screw the stop bracket on the right or left, flush to the side wall on the base of the cabinet recess, depending on which way the door opens. The stop bracket is always mounted on the handle side.

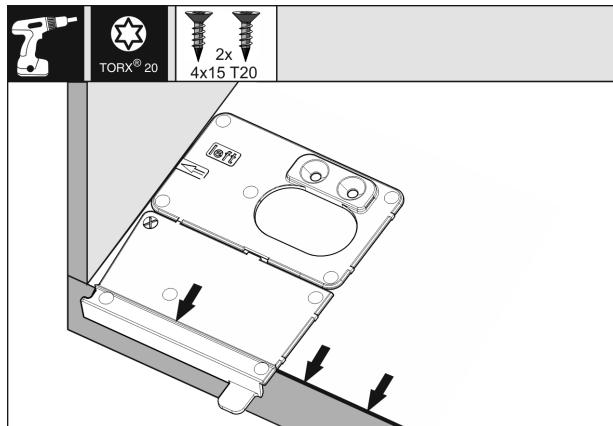


Fig. 23

- ▶ Assemble the mounting bracket so that the marking is at the same height as the outer edge of the cabinet recess.

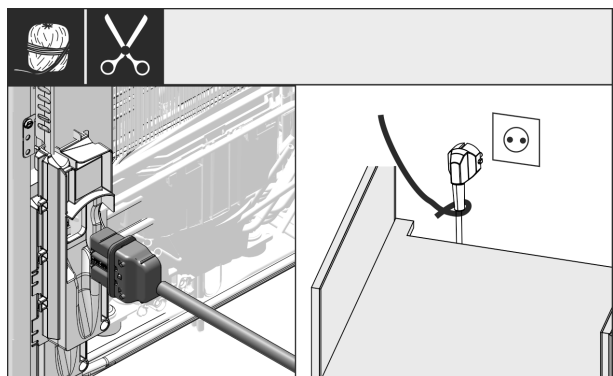


Fig. 24

- ▶ Remove the power cable from the package and plug it into the back of the appliance. Use a cable lug to lay the power plug cord to the accessible socket.

# Installing the appliance in the recess

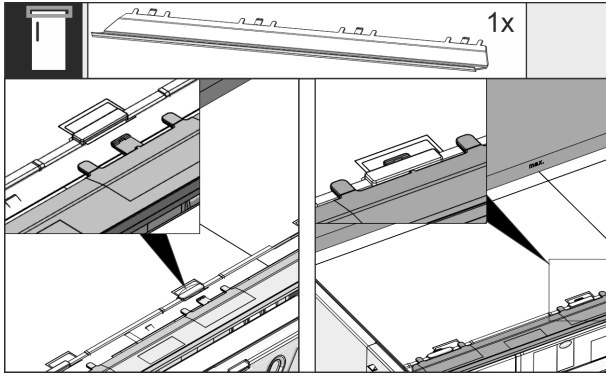


Fig. 25

- ▶ Insert the levelling panel. The panel can be moved to both sides.

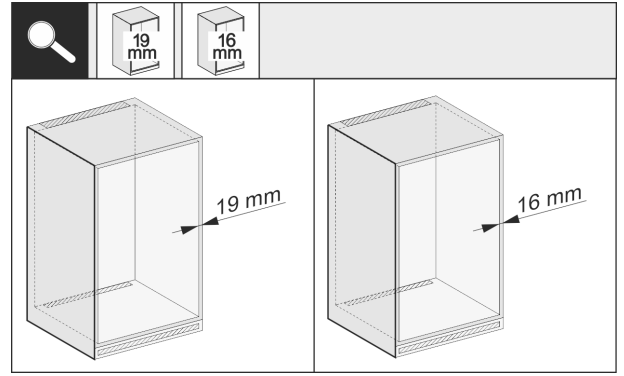


Fig. 29

- ▶ Check whether the cabinet side wall is 16 mm or 19 mm thick.

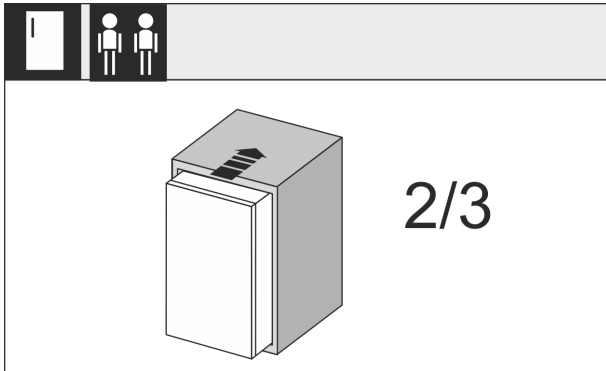


Fig. 26

- ▶ Insert the appliance 2/3 of the way into the recess.

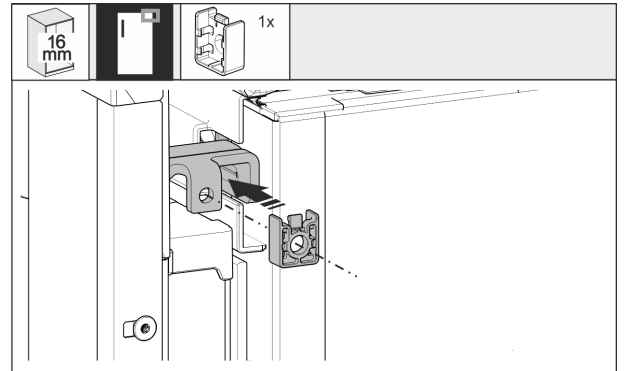


Fig. 30

- ▶ For 16 mm thick cabinet side walls, place the enclosed spacer on the upper part of the bearing.

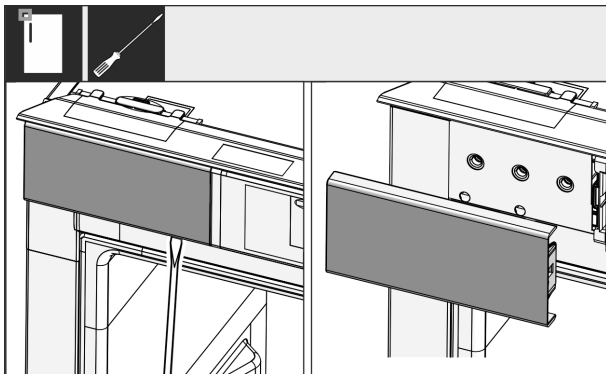


Fig. 27

- ▶ Use a screwdriver to loosen the cover at the top left and then remove it.
- ▶ If already mounted, remove the other covers.

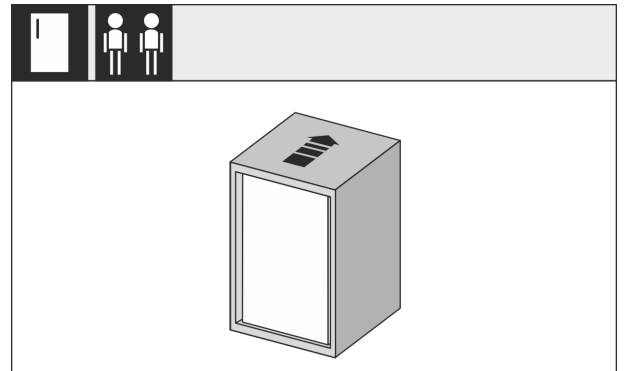


Fig. 31

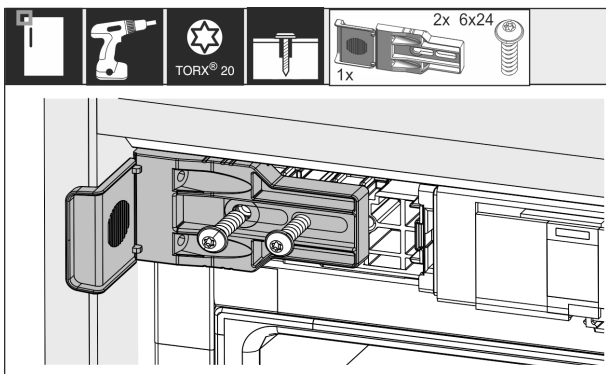


Fig. 28

- ▶ Tighten the mounting bracket. The bracket should no longer move.

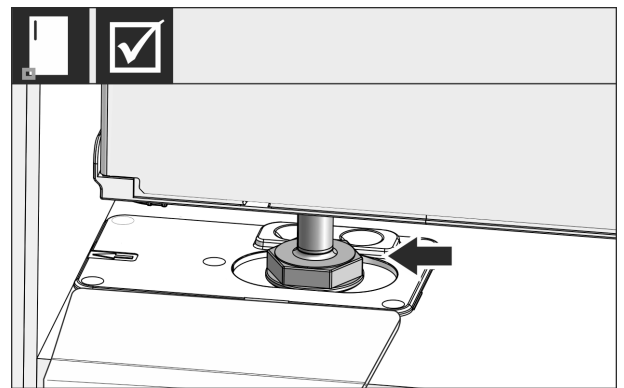


Fig. 32

- ▶ Insert the appliance all the way into the recess. The adjustable foot must sit in the recess of the stop bracket.

# Installing the appliance in the recess

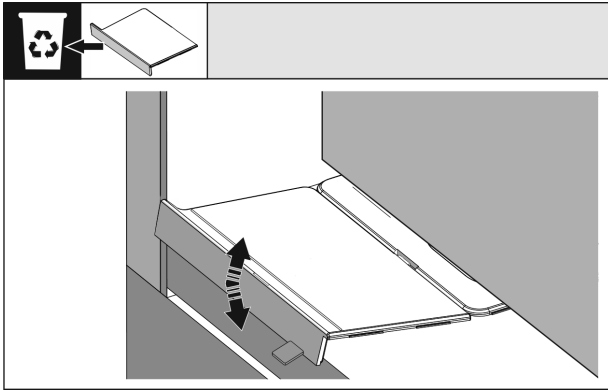


Fig. 33

- ▶ Remove the front part of the mounting bracket. Loosen the stopper by moving it and, if necessary, pull it off with the help of pliers.

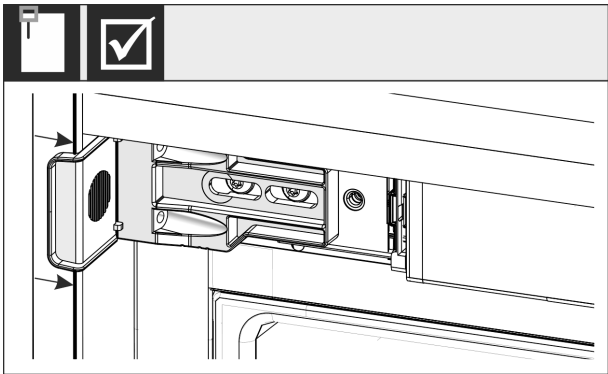


Fig. 34

- ▶ Check that the appliance is flush against the cabinet recess. The mounting bracket must be attached to the side wall of the cabinet recess.

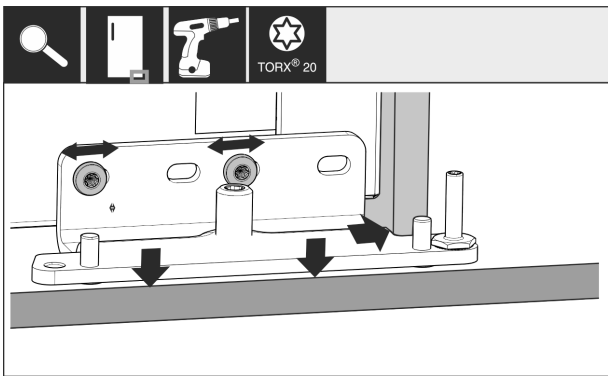


Fig. 35

- ▶ Check that the bottom bearing block is flush. The bearing block can be moved over the slots.

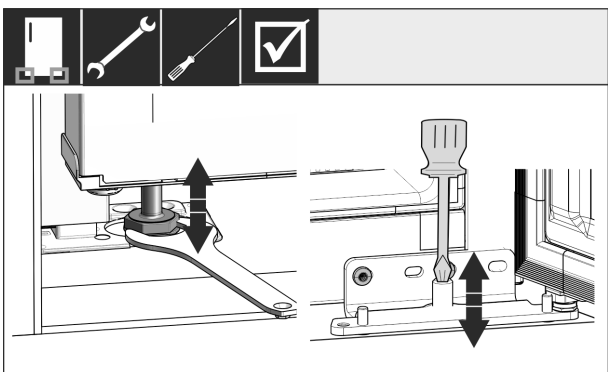


Fig. 36

- ▶ If necessary, adjust the appliance with the adjustable foot and the adjustment in the bearing block.

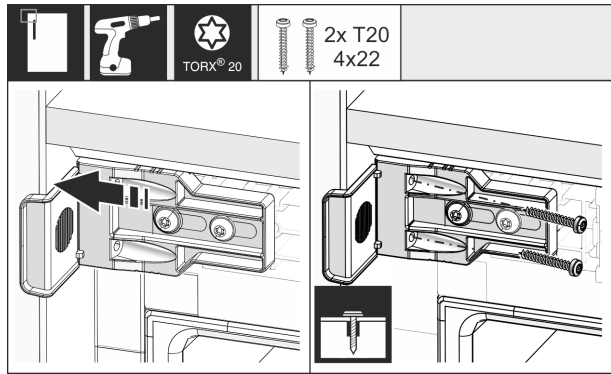


Fig. 37

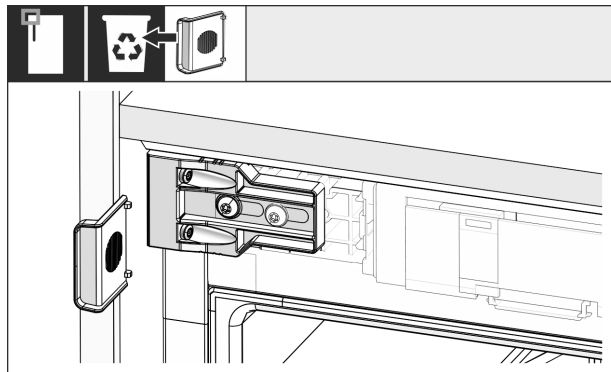


Fig. 37

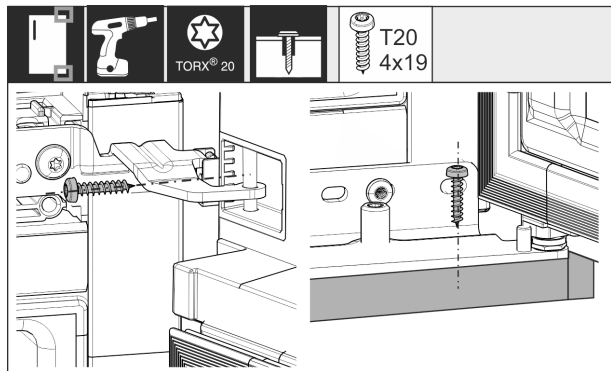


Fig. 37

- ▶ Tightly screw the appliance to the cabinet recess.

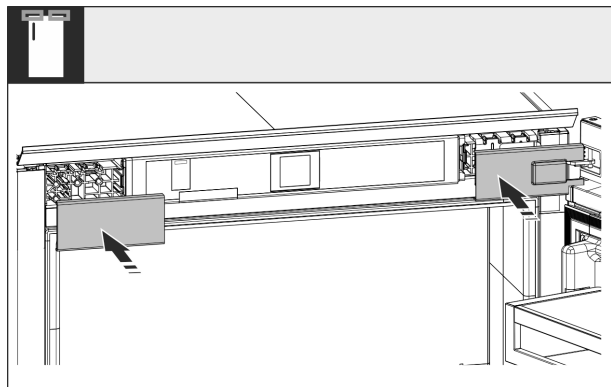


Fig. 38

- ▶ Place all covers and check all fittings.

## Mounting the décor panel

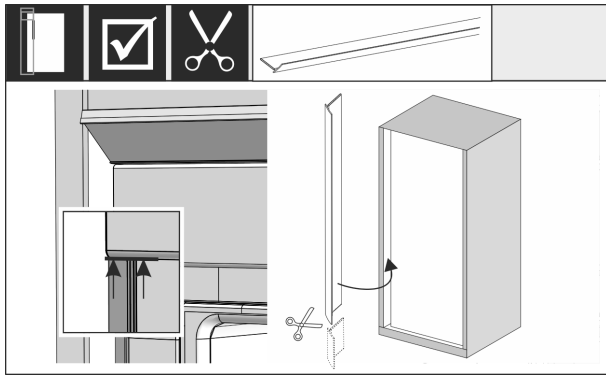


Fig. 39

- Remove the tread from the accessories pack and place it on the side wall of the appliance. The tread is magnetic and does not need to be glued.

## 14 Mounting the décor panel

Appliances can be colour-matched or contrasted with the kitchen cabinets with a décor frame and panel.

Recess height	Décor panel dimensions (mm)			Max. décor panel weight (kg)
	Height	Width	Maximum thickness	
874 to 880	860	585	4	5
1220 to 1226	1206	585	4	7

The décor frames are available as accessories from Customer Service in the following additional colours:

Brown: 9911350    White: 9911348    Aluminium: 9911346

- Lay thicker décor panels Fig. 40 (2) as shown to a max. thickness of 4 mm.

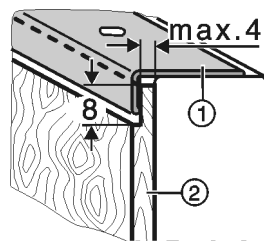


Fig. 40

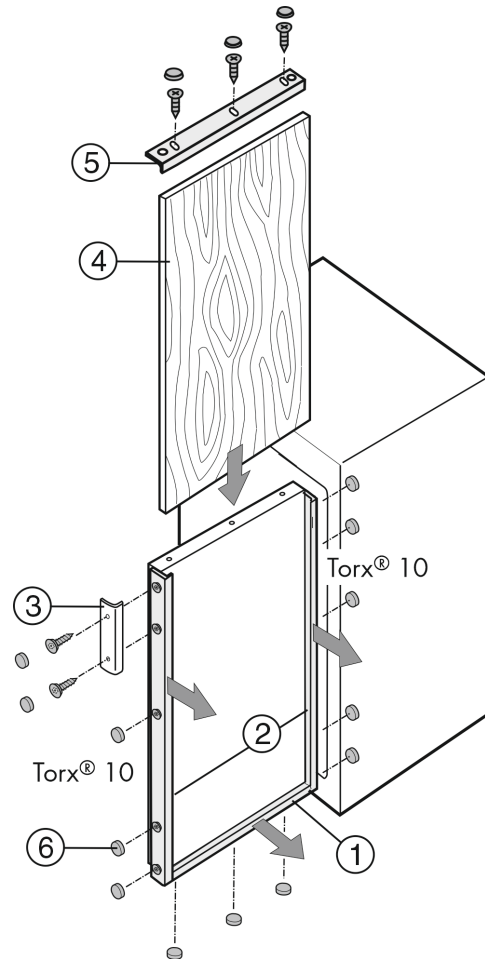


Fig. 41

- Mount the décor frame and the décor panel as follows. Do not tighten the screws until the end.
- Screw on décor frame (1) loosely at the bottom and slide forwards.
- Screw on side parts (2) of the décor frame loosely at the bottom and slide forwards.
- Screw on handle (3) loosely.
- Slide in décor panel (4) from above.
- Fit top part (5) of the décor frame and screw on loosely.
- Slide back all parts of the décor frame and screw firmly into place.
- Snap cover caps (6) onto all screw heads.

## 15 Mounting the décor panel with adapter panels

If a décor panel is already there but not tall enough, you can adjust it with different height adapter panels Fig. 42 (7).

You can use one (top or bottom only) or two adapter panels (top and bottom). The adapter panels are available as accessories from Customer Service.

Added height [mm]	Brown	White	Aluminium coloured
16	9733032	9733035	9733050
41	9733033	9733036	9733051
60	9733034	9733037	9733052

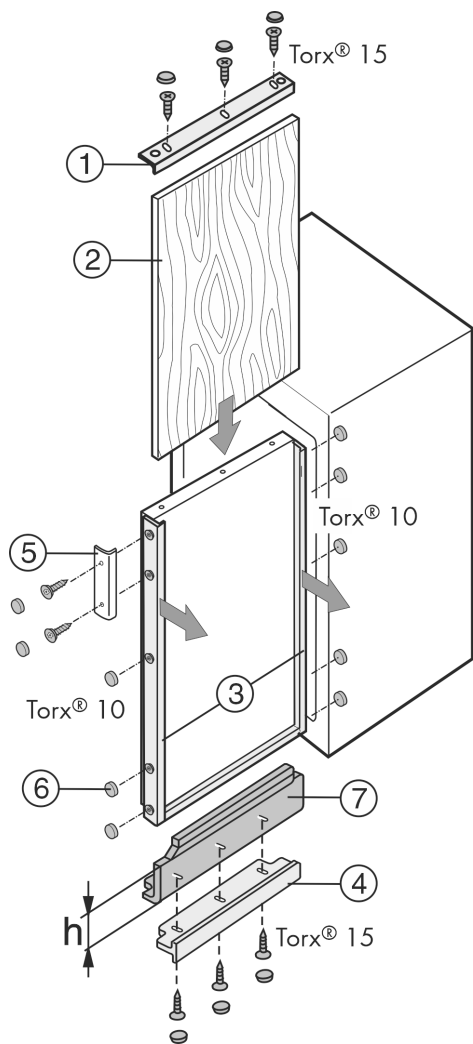


Fig. 42

- ▶ Mount the decor frame with the equaliser trim and the decor panel as follows. Do not tighten the screws until the end.
- ▶ Screw on decor frame (4) loosely at the bottom and slide forwards.
- ▶ Fit equaliser trim (7).
- ▶ Screw on side parts (3) of the decor frame loosely at the bottom and slide forwards.
- ▶ Screw on handle (5) loosely.
- ▶ Slide in decor panel (2) from above.
- ▶ Fit top part (5) of the decor frame and screw on loosely.
- ▶ Slide back all parts of the decor frame and screw firmly into place.
- ▶ Snap cover caps (6) onto all screw heads.

## 16 Connecting the appliance to the power supply



### WARNING

Danger of electric shock and injury due to damaged appliance or damaged mains cable!  
 Danger of cuts and fatal injuries. If the appliance or the mains cable is damaged during transport, you may be electrocuted. You could also cut yourself on damaged parts of the appliance housing.

- ▶ Check the appliance and the mains cable for damage after transport.
- ▶ Never put the appliance into operation if the appliance or the mains cable are damaged.
- ▶ Contact Customer Service.

You can connect your appliance to the mains using the power cable supplied separately. The mains power cable has an appliance coupler at one end and a mains plug at the other end.

Make sure that the following requirements are fulfilled:

- The appliance and power cable are undamaged.
- The appliance is installed in accordance with the regulations. (see 13 Installing the appliance in the recess)
- Requirements for the electrical connection are met. (see 2.3 Mains connection)
- Dimensions for connection in accordance with regulations are known and observed.
- Mains voltage and frequency correspond to the specifications on the type plate.
- The socket is earthed according to the regulations and fused.
- The fuse tripping current is between 10 A and 16 A.
- The socket is easily accessible and is not behind the appliance (see 4 Recess dimensions) .

### NOTICE

Danger of damage to incorrect operation!  
 Damage to the electrical components of the appliance.

- ▶ Only use the supplied mains cable.

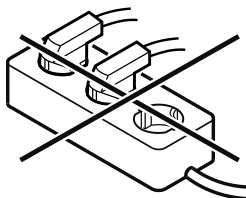


### WARNING

Danger of fire due to incorrect connection!  
 Burns.

Damage to the appliance.

- ▶ Do not use an extension cable.
- ▶ Do not use distributor blocks.



### NOTICE

Danger of damage to incorrect connection!  
 Damage to the appliance.

- ▶ Do not connect the appliance to a stand-alone inverter, e.g. solar power systems and petrol generators.

- ▶ Connect the mains plug of the power cable to the power supply.

- ▷ The Liebherr logo appears in the display.\*
- ▷ The display switches to the standby symbol.\*

## Connecting the appliance to the power supply

---

- ▷ If no action occurs within 60 seconds: The standby symbol fades or disappears.
- ▷ The appliance is connected. For information regarding first use, see the following section or the operating instructions.





[home.liebherr.com/fridge-manuals](https://home.liebherr.com/fridge-manuals)

**EN** decor fridges and freezers

Issue date: 20240202

**Part number index: 7088421-00**

Liebherr-Hausgeräte GmbH  
Memminger Straße 77-79  
88416 Ochsenhausen  
Deutschland