



User Guide

Quality, Design and Innovation



[home.liebherr.com/fridge-manuals](http://home.liebherr.com/fridge-manuals)




# LIEBHERR


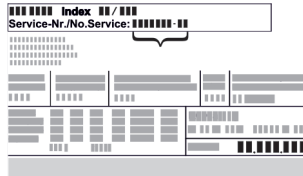




# Appliance at a glance

## Contents

<b>1</b>	<b>Appliance at a glance.....</b>	<b>2</b>
1.1	Scope of supply.....	2
1.2	Overview of appliances and equipment.....	2
1.3	Special features.....	3
1.4	Range of use of appliance.....	3
1.5	Appliance noise emissions.....	4
1.6	Compliance.....	4
1.7	SVHC substances according to REACH regulation.....	4
1.8	EPREL database.....	4
<b>2</b>	<b>General safety instructions.....</b>	<b>4</b>
<b>3</b>	<b>Putting into operation.....</b>	<b>5</b>
3.1	Installation conditions.....	5
3.2	Appliance dimensions.....	6
3.3	Transporting appliance.....	6
3.4	Unpacking appliance.....	6
3.5	Removing transport lock.....	6
3.6	Installing appliance.....	6
3.7	Setting up the appliance so it is level.....	7
3.8	Installing multiple appliances.....	7
3.9	After installation.....	7
3.10	Disposing of packaging.....	7
3.11	Reversing the door opening direction.....	7
3.12	Aligning the door.....	12
3.13	Connecting appliance.....	12
3.14	Switching on appliance.....	12
<b>4</b>	<b>Storage.....</b>	<b>12</b>
4.1	Information regarding storage.....	12
4.2	Storage times.....	13
<b>5</b>	<b>Controls.....</b>	<b>13</b>
5.1	Control and display elements.....	13
5.2	Appliance functions.....	13
5.2.1	Temperature.....	13
<b>6</b>	<b>Maintenance.....</b>	<b>13</b>
6.1	Defrosting appliance.....	13
6.2	Cleaning the appliance.....	13
<b>7</b>	<b>Customer help.....</b>	<b>15</b>
7.1	Technical specifications.....	15
7.2	Technical fault.....	15
7.3	Customer Service.....	16
7.4	Type plate.....	16
<b>8</b>	<b>Shutting down.....</b>	<b>16</b>
<b>9</b>	<b>Disposal.....</b>	<b>16</b>
9.1	Preparing appliance for disposal.....	16
9.2	Disposing of the appliance in an environmentally friendly manner.....	16
<b>10</b>	<b>Additional information.....</b>	<b>17</b>

The manufacturer is continually working on the further development of all types and models. Please be aware that we reserve the right to make changes to the shape, equipment and technology.

Symbol	Explanation
	<b>Read instructions</b> Please read the information in these instructions carefully to understand all of the benefits of your new appliance.

Symbol	Explanation
	<b>Full instructions on the internet</b> You can find detailed instructions on the internet using the QR code on the front of these instruction or by entering the service number at <a href="http://home.liebherr.com/fridge-manuals">home.liebherr.com/fridge-manuals</a> . The service number can be found on the serial tag:  <i>Fig. Example illustration</i>
	<b>Check appliance</b> Check all parts for transport damage. If you have any complaints, please contact your agent or customer service.
	<b>Differences</b> These instructions apply to a range of models, so differences are possible. Sections that apply to certain models only are marked with an asterisk (*).
	<b>Instructions and results</b> Instructions are marked with a ▶. Results are marked with a ▷.
	<b>Videos</b> Videos about the appliances are available on the YouTube channels of Liebherr-Hausgeräte.

These operating instructions apply to:

- MRFec 3501
- MRFec 4001

## 1 Appliance at a glance

### 1.1 Scope of supply

Check all parts for transport damage. If you have any complaints, please contact your dealer or Customer Service. (see 7.3 Customer Service)

The delivery comprises the following parts:

- Free-standing appliance
- Equipment \*
- Installation materials \*
- Operating instructions
- Service brochure
- Quality certificate \*

### 1.2 Overview of appliances and equipment

- MRFec 3501
- MRFec 4001

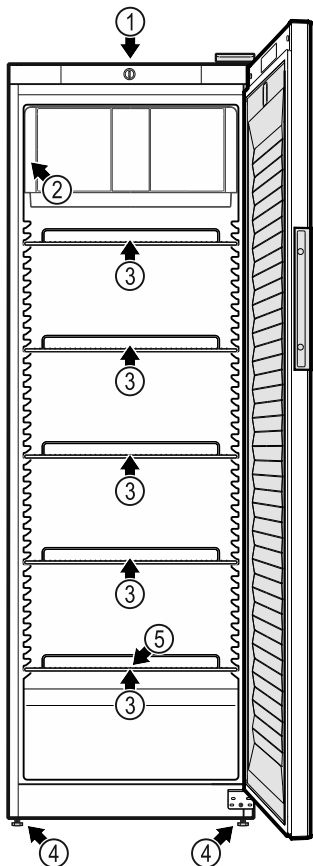


Fig. 1 Example illustration

### Equipment

- (1) Control
- (2) Type plate
- (3) Grid shelves
- (4) Adjusting feet
- (5) Defrost water drain

## 1.3 Special features

### Note

Accessories are available from Customer Service (see 7.3 Customer Service) and the Liebherr-Hausgeräte store at [home.liebherr.com/shop/de/deu/zubehor.html](http://home.liebherr.com/shop/de/deu/zubehor.html).

## 1.4 Range of use of appliance

### Intended use

This fridge is appropriate for professional use in the commercial environment and in retail. It may be used for the storage, presentation and sale of chilled packaged foodstuffs and beverages. It is appropriate for the removal of chilled goods by customers.

The appliance is designed for use in indoor spaces.

All other types of use are not permitted.

### Foreseeable incorrect use

The following uses are expressly forbidden:

- Storage and refrigeration of:
  - Chemically unstable flammable or corrosive substances
  - Medicines, blood plasma, laboratory preparations or similar substances and

products based on the Medical Device Directive 2007/47/EC

- Use in potentially explosive atmospheres
- Use outdoors or in areas exposed to dampness and splashing water

Improper use of the appliance will result in goods stored being damaged or spoiled.

### Climate classes

The applicable climate class for your appliance is printed on the type plate.

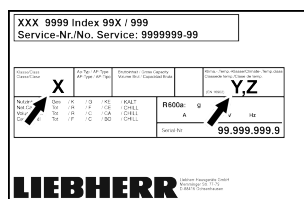


Fig. 2 Type plate

(X) The climate class states the ambient conditions in which the appliance can be operated safely.

(Y) The climate class defines the maximum parameters within which the appliance will function smoothly.

(Z) The temperature class indicates the temperature setting at which the appliance will function smoothly.

Climate class (X)	Max. room temperature	Max. rel. humidity
3	+25 °C	60 %
4	+30 °C	55 %
5	+40 °C	40 %
7	+35 °C	75 %

### Note

The minimum permitted room temperature at the setup location is +10 °C.

At limit conditions, slight condensation may form on the glass door and on the side walls.

Climate class (Y)	Max. room temperature	Max. rel. humidity
CC1	+25.5 °C	60 %
CC2	+32.2 °C	65 %
CC3	+40.6 °C	75 %

### Recommended temperature setting:

Temperature class (Z)	Temperature setting
K1	+3.5 °C
K2	+2.5 °C
K3	-1 °C
K4	+5 °C
M1	+5 °C

# General safety instructions

Recommended temperature setting:	
Temperature class (Z)	Temperature setting
M2	+7 °C

## 1.5 Appliance noise emissions

The A-weighted emission sound pressure level during operation of the appliance is under 70 dB(A) (sound power rel. 1 pW).

## 1.6 Compliance

The coolant circuit has been tested for leak-tightness.

This appliance complies with the applicable safety regulations and with EU directives 2006/42/EC, 2014/30/EU, 2009/125/EC and 2011/65/EU.

The full text of the EU Declaration of Conformity is available on the following website: [www.liebherr.com](http://www.liebherr.com)

## 1.7 SVHC substances according to REACH regulation

You can check whether your appliance contains SVHC substances according to REACH regulation at the following link: [home.liebherr.com/de/deu/de/liebherr-erleben/nachhaltigkeit/umwelt/scip/scip.html](http://home.liebherr.com/de/deu/de/liebherr-erleben/nachhaltigkeit/umwelt/scip/scip.html)

## 1.8 EPREL database

Details about the labelling of energy consumption and ecodesign requirements will be available on the European Product Database (EPREL) from 1 March 2021. You can access the product database at the following link: <https://eprel.ec.europa.eu/>. You will be asked to enter the model identification. The model identification can be found on the type plate.

## 2 General safety instructions

Please keep these operating instructions in a safe place so you can refer back to them at any time.

If you pass the appliance on, please hand these operating instructions to the next user.

Read these operating instructions carefully before use to ensure safe and correct use of the appliance. Follow the instructions, safety instructions and warning messages included at all times. They are important for ensuring you can operate and install the appliance safely and without any problems.

### Danger for the user:

- This device can be used by children aged 8 and above and people with impaired physical, sensory or mental abilities or with a lack of experience and knowledge provided that they are supervised or have received instruction in the safe use of this appliance, and about the resulting hazards. Chil-

dren must not play with this appliance. Cleaning and user maintenance work must not be carried out by children without adult supervision.

- The socket must be easily accessible so that the appliance can be disconnected quickly from the electricity supply in an emergency. It must not be located in the area behind the appliance.
- When disconnecting the appliance from the supply, always take hold of the plug. Do not pull the cable.
- In the event of a fault pull out the mains plug or deactivate the fuse.
- **WARNING:** Do not damage the mains power cable. Do not operate the appliance with a defective mains power cable.
- **WARNING:** Multiple sockets/distributors and other electronic equipment (such as halogen transformers) must not be placed or operated at the rear of the appliance.
- **WARNING:** Keep ventilation openings, in the appliance enclosure or in the built-in structure, clear of obstruction.
- Repairs, interventions on the appliance and the replacement of mains connection line may only be carried out by AfterSales Service or other suitably trained specialist personnel.
- Only assemble, connect and dispose of the appliance according to the instructions.

### Fire hazard

- The coolant used (information on the model plate) is ecofriendly but also flammable. Any leaking coolant may ignite.
  - **WARNING:** Do not damage refrigeration circuit.
  - Do not handle ignition sources inside the appliance.
  - **WARNING:** Do not use electrical appliances in the fridge compartment which do not comply with the design recommended by the manufacturer.
  - If the refrigerant leaks: remove any naked flames or ignition sources from the vicinity of the leakage point. Properly air the room. Inform customer services.
- Do not operate the appliance close to explosive gases.
- Do not store or use petrol or other flammable gases and liquids close to the appliance.
- Do not store any explosive substances, such as aerosol containers with flammable propellant gas, in the appliance. To identify these spray cans, look for the list of

contents printed on the can, or a flame symbol. Gases possibly escaping may ignite due to electrical components.

- Keep burning candles, lamps and other items with naked flames away from the appliance so that they do not set the appliance on fire.
- Please be sure to store alcoholic drinks or other packaging containing alcohol in tightly closed containers. Any alcohol that leaks out may be ignited by electrical components.

### Danger of tipping and falling:

- Do not misuse the plinth, drawers, doors etc. as a step or for support.

### Danger of frostbite, numbness and pain:

- Avoid prolonged skin contact with cold surfaces or refrigerated/frozen goods or take protective measures, e.g. wear gloves.

### Danger of injury and damage:

- **WARNING:** Do not use mechanical equipment or other methods to speed up the defrosting process other than those recommended by the manufacturer.
- **WARNING:** Risk of injury due to electric shock! There are live electrical parts under the cover.
- **NOTICE:** Appliance must only be used using original manufacturer accessories or using accessories from other providers approved by the manufacturer. The user bears the risk of using accessories which are not approved.

### Risk of crushing

- Do not hold the hinge when opening and closing the door. Fingers may get caught.

### Specialist personnel qualifications:

Specialist personnel are persons who, on account of their specialist training, knowledge and experience as well as their knowledge of the relevant standards, are able to assess and perform the work assigned to them and identify potential hazards. They must have training, instruction, and authorisation to work on the appliance.

### Symbols on the appliance:



This symbol may be located on the compressor. It relates to the oil in the compressor and makes reference to the risk that: **Swallowing or inhaling can be fatal.** This advice is only relevant to recycling. There is no danger in normal operation.






**WARNING:** Danger of fire / flammable materials. This symbol is located on the compressor and indicates the danger of flammable materials. Do not remove the sticker.



This or a similar sticker may be located on the rear of the appliance. This sticker indicates that there are vacuum insulation panels (VIP) or perlite panels in the door and/or housing. This advice is only relevant to recycling. Do not remove the sticker.

**Please note the warning messages and other specific advice in the other chapters:**

	<b>DANGER</b>	Indicates an immediately hazardous situation which will lead to death or serious injuries if it is not avoided.
	<b>WARNING</b>	Indicates a hazardous situation which will lead to death or serious injuries if it is not avoided.
	<b>CAUTION</b>	Indicates a hazardous situation which will lead to minor or moderate injuries if it is not avoided.
	<b>NOTICE</b>	Indicates a hazardous situation which may lead to damage to property if it is not avoided.
	<b>Note</b>	Indicates useful instructions and tips.

## 3 Putting into operation

### 3.1 Installation conditions



#### **WARNING**

Fire hazard due to dampness!

If live parts or the mains lead become damp this may cause short circuits.

- ▶ The appliance is designed for use in enclosed areas. Do not operate the appliance outdoors or in areas where it is exposed to splash water or damp conditions.

#### 3.1.1 Installation location



#### **WARNING**

Leaking coolant and oil!

Fire. The coolant contained in the appliance is eco-friendly, but also flammable. The oil contained in the appliance is flammable. Escaping coolant and oil can ignite if the concentration is high enough and in contact with an external heat source.

- ▶ Do not damage the pipelines of the coolant circuit and the compressor.

- Do not install appliance in direct sunlight, next to an oven, radiator or similar.
- The best place for installation is a dry and well ventilated room.
- If the appliance is installed in a very humid environment, condensation can form on the outside of the appliance.

# Putting into operation

Always ensure good airflow and ventilation in the installation location.

- The more refrigerant there is in the appliance, the larger the space it is installed in must be. If the space is too small, any leak may create a flammable mixture of gas and air. For every 8 g of refrigerant, the installation space must be at least 1 m<sup>3</sup>. Information regarding the refrigerant can be found on the type plate inside the appliance.
- The floor of the location must be horizontal and even.
- The installation location must be able to withstand the weight of the appliance plus weight when stocked to maximum level. (see 7.1 Technical specifications)
- Use in hazardous areas is not permitted.

## 3.1.2 Electrical connection



### WARNING

Danger of fire due to incorrect positioning!

If the mains cable or plug touches the back of the appliance, the vibration can damage the mains cable or the plug resulting in a short circuit.

- ▶ Make sure the mains cable is not trapped under the appliance when you position the appliance.
- ▶ Stand the appliance so that it is not touched by connectors or main cables.
- ▶ Do not connect any appliances to sockets in the area of the back of the appliance.
- ▶ Do **not** place and operate multi-sockets/power distributors and other electronic devices (such as halogen transformers) at the back of the appliances.

## 3.2 Appliance dimensions

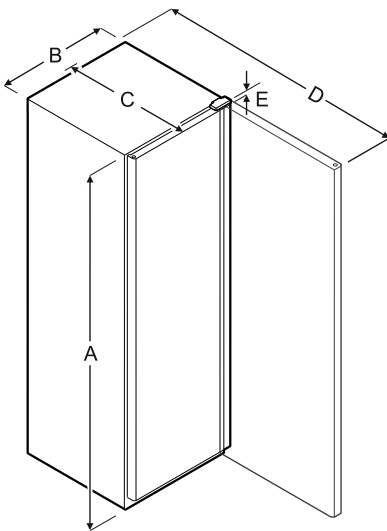


Fig. 3

Model	A	B	C	D	E
MRFec 3501	1684 mm	597 mm	654 mm	1203 mm	23 mm
MRFec 4001	1884 mm	597 mm	654 mm	1203 mm	23 mm

**A** = appliance height **B** = appliance width without handle  
**C** = appliance depth without handle **D** = appliance depth with door open **E** = hinge height

## 3.3 Transporting appliance



### WARNING

Risk of injury and damage due to the appliance tipping over!

- ▶ Pay attention to uneven floors and ramps when transporting appliances.

### Note when transporting the appliance:

- ▶ Transport the appliance upright.
- ▶ Use two people to transport the appliance.

### During first use:

- ▶ Transport the appliance packaged.

### When transporting appliances after initial commissioning (e. g. moving or cleaning):

- ▶ Empty the appliance.
- ▶ Secure the door against unintentional opening.

## 3.4 Unpacking appliance

- ▶ Check the appliance and the packaging for damage during transport. Contact the supplier immediately if you suspect any damage. Do not connect appliance to the power supply.
- ▶ Remove all packaging materials from the rear or the side walls of the fridge that may prevent proper installation or prevent air flow and ventilation.
- ▶ Take the mains cable from the rear of the appliance. Remove the cable retainer when you do so, otherwise there will be vibration noise.

## 3.5 Removing transport lock

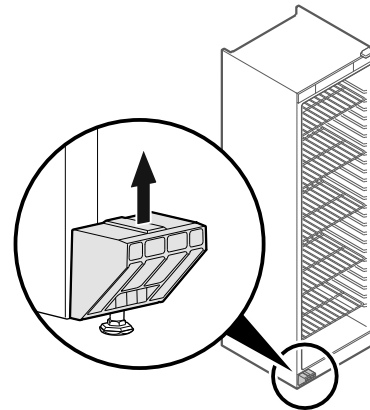


Fig. 4

- ▶ Remove transport lock in upwards direction.
- ▷ Base holder remains on the appliance.

## 3.6 Installing appliance



### CAUTION

Risk of injury and damage.

- ▶ Use 2 people to install appliance.



### CAUTION

Risk of injury and damage.

The door can knock against the wall and become damaged as a result. In the case of glass doors, the damaged glass can cause injuries.

- ▶ Protect the door from knocking against the wall. Attach door stopper, e.g. felt stopper, to the wall.

- ▶ Connect all necessary components (e.g. mains cable) to the back of the appliance and route to the side.

## Note

Cables can be damaged.

- ▶ Do not jam the cable when pushing the appliance back.

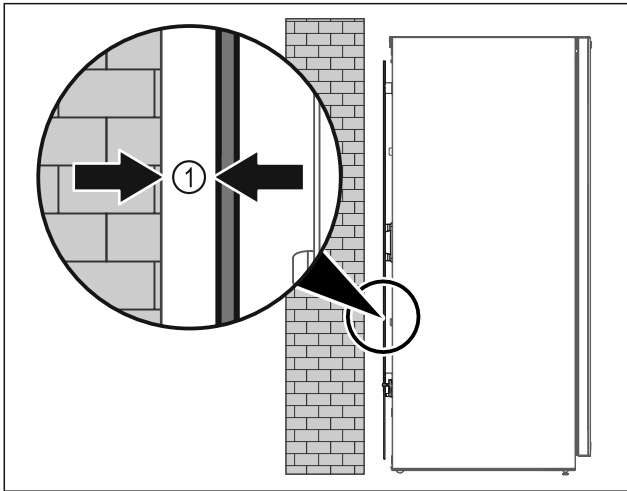


Fig. 5

- ▶ Set up the appliance either free-standing or directly against a wall at a minimum distance of 5 mm Fig. 5 (1).

## 3.7 Setting up the appliance so it is level

### NOTICE

Appliance body is deformed and door does not close.

- ▶ Align appliance horizontally and vertically.
- ▶ Compensate for uneven floors using adjustable feet.



### WARNING

Incorrect height adjustment of the adjustable foot! Can cause severe or even fatal injury. Incorrect height adjustment can cause the bottom part of the adjustable foot to come loose and the appliance to tip over.

- ▶ Do not unscrew the adjustable foot too far.

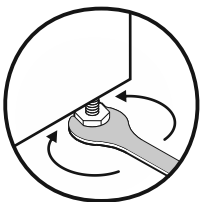


Fig. 6

### Raising appliance:

- ▶ Turn adjustable foot clockwise.

### Lowering appliance:

- ▶ Turn adjustable foot anticlockwise.

## 3.8 Installing multiple appliances

### NOTICE

Risk of damage due to condensation between the side walls.

- ▶ Do not install the appliance directly next to another fridge.
- ▶ Install appliances with a space 3 cm between appliances.
- ▶ Only install multiple appliances of up to climate class CC2 temperatures (32.2 °C, 65% humidity) next to one another.
- ▶ At higher levels of humidity, increase space between appliances.

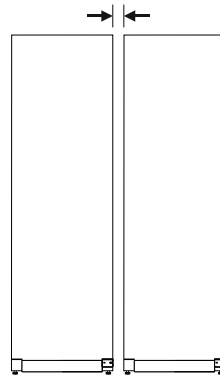


Fig. 7 Side-by-side installation

### Note

A side-by-side kit is available as an accessory via Liebherr Customer Service. (see 7.3 Customer Service)

## 3.9 After installation

- ▶ Peel off the protective films. \*
- ▶ Clean appliance. (see 6.2 Cleaning the appliance)
- ▶ If necessary: Disinfect the appliance.
- ▶ Keep the invoice so you have the appliance and dealer information available if needed.

## 3.10 Disposing of packaging



### WARNING

Danger of suffocation due to packing material and plastic film!

- ▶ Do not allow children to play with packing material.

The packaging is made of recyclable materials:

- corrugated board/cardboard
- expanded polystyrene parts
- polythene bags and sheets
- polypropylene straps
- nailed wooden frame with polyethylene panel\*

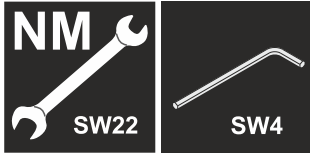
- ▶ Take the packaging material to an official collecting point.

## 3.11 Reversing the door opening direction

### Tools



# Putting into operation



## WARNING

Risk of injury if the door is not reversed correctly!

- The door may only be reversed by qualified personnel.



## WARNING

Risk of injury and material damage due to heavy door!

- Only perform the conversion if you can carry a weight of 25 kg.
- Always have someone help you carry out the conversion.

## NOTICE

Live parts!

Damage to electrical components.

- Disconnect the power plug before reversing the door.

- Open the door.

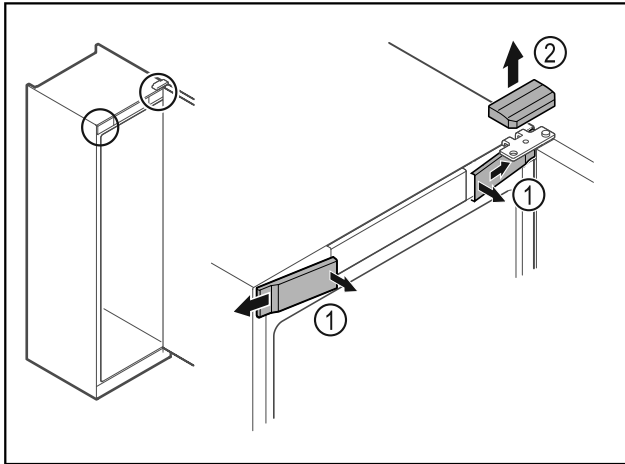


Fig. 8

- Unlatch the front covers Fig. 8 (1) on the inside and remove them sideways.
- Lift off the upper cover Fig. 8 (2).

## NOTICE

Risk of injury if the door tips out!

- Hold the door.

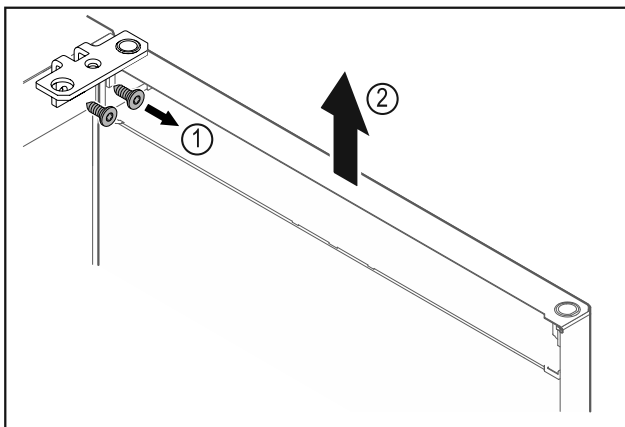


Fig. 9

- Unscrew the hinge Fig. 9 (1).

- Lift the door with the hinge straight up by Fig. 9 (2) roughly 200 mm and take it off.
- Carefully place the door on a soft surface.

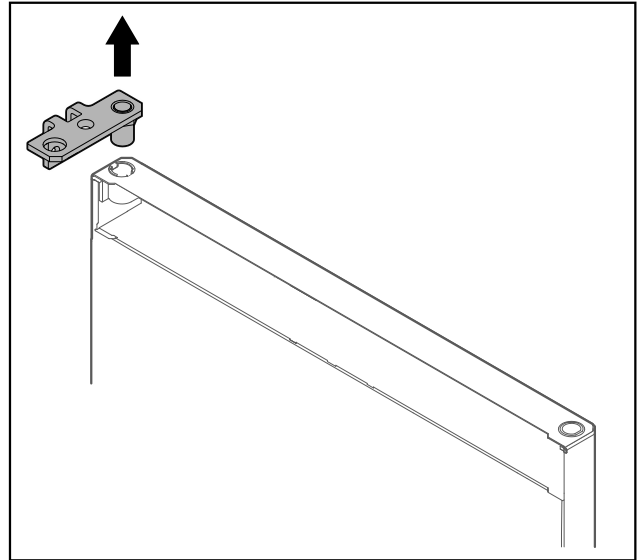


Fig. 10

- Pull out the hinge.

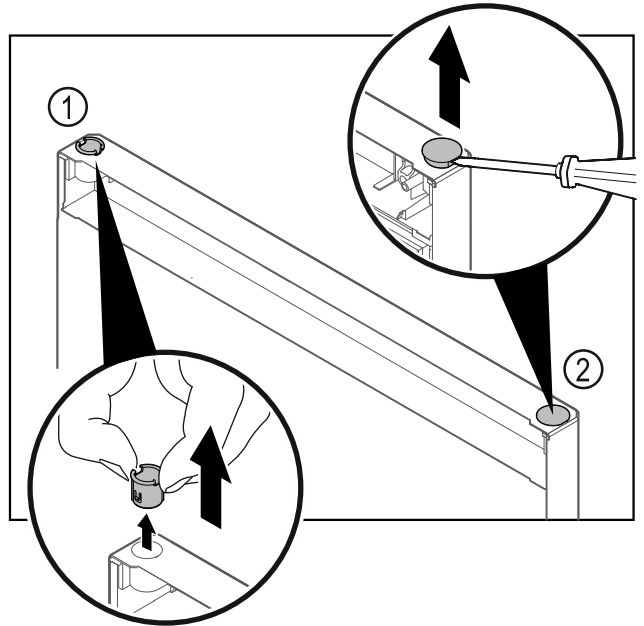


Fig. 11

- Pull out the hinge bushing Fig. 11 (1) with your fingers.
- Carefully lift the cover plug Fig. 11 (2) with a slotted screwdriver and pull it out.



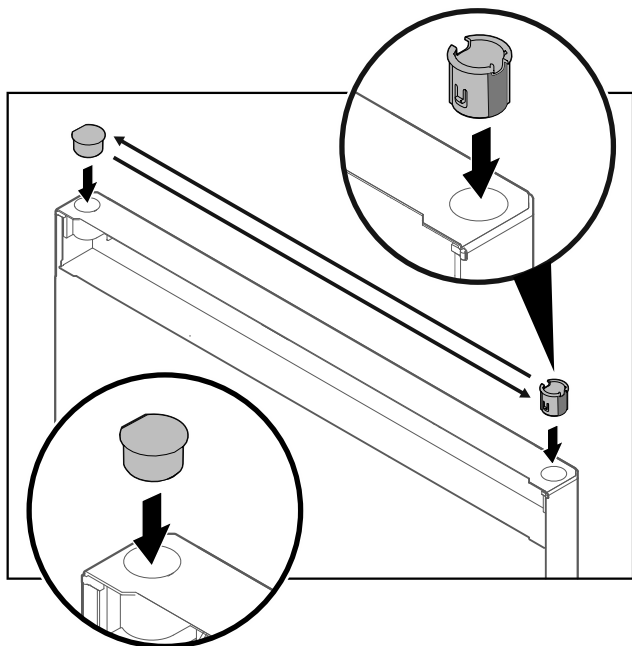


Fig. 12

- ▶ Insert hinge bushing and cover plug on the opposite side (the flattened sides face outwards).

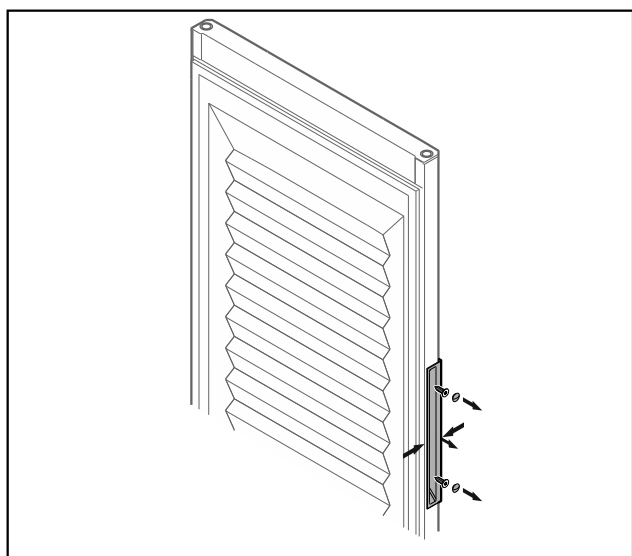


Fig. 13 Insulated door

**Note**

- ▶ If the handle is difficult to detach from the door, slightly push the handle together when removing it.
- ▶ Unscrew the handle.

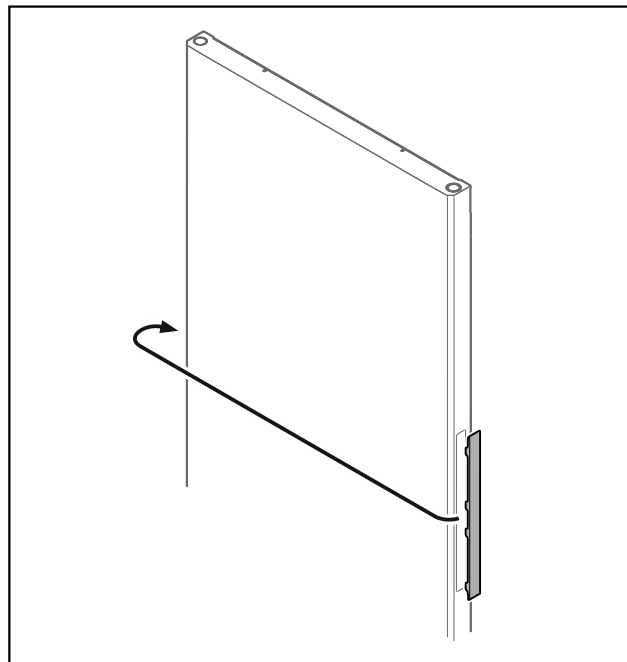


Fig. 14

**Note**

- ▶ If the cover is difficult to detach, carefully lever it out using a tool such as a screwdriver.
- ▶ Put the cover on the opposite side.

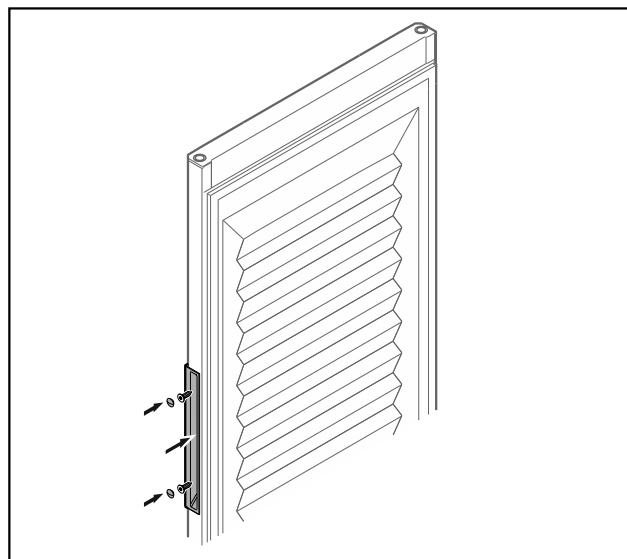


Fig. 15 Insulated door

- ▶ Screw the handle onto the opposite side.

# Putting into operation

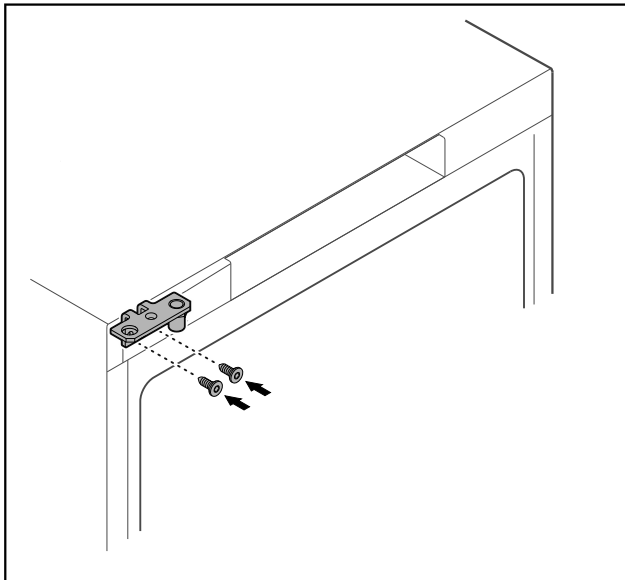


Fig. 16

- ▶ Move the hinge to the opposite side.



## WARNING

- Risk of injury and material damage if the door tips out!
- ▶ Tighten the bearing pins to the specified torque.

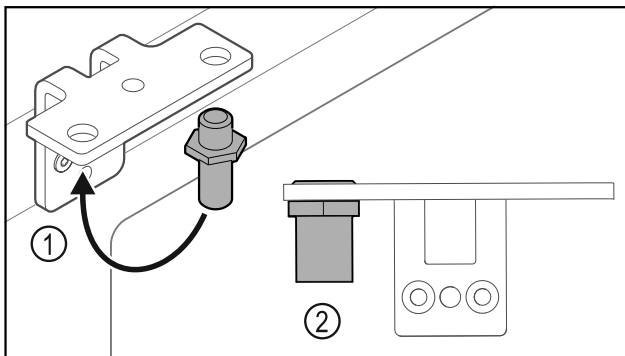


Fig. 17

- ▶ Put the pin back into the hinge Fig. 17 (1).
- ▶ Tighten the pin Fig. 17 (2) to a **torque of 12 Nm**.
- ▶ Unscrew the hinge again.

## NOTICE

- Risk of injury due to tensioned spring!
- ▶ Do not disassemble the door closing system Fig. 18 (1).

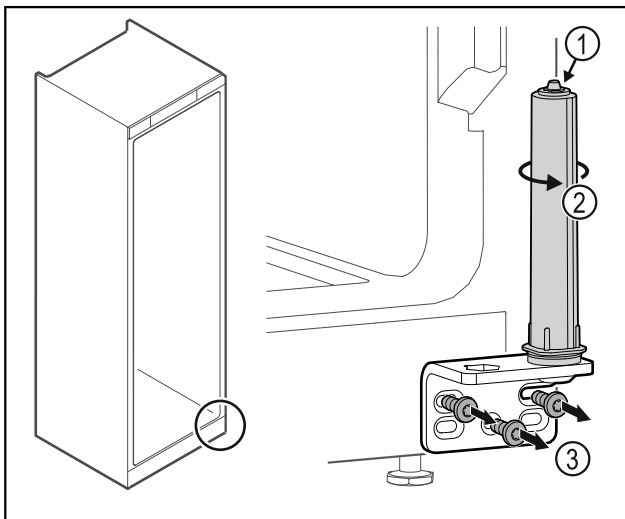


Fig. 18

- ▶ Turn the closing system Fig. 18 (2) until it clicks.
- ▶ The tension of the closing system is released.
- ▶ Unscrew the hinge Fig. 18 (3).

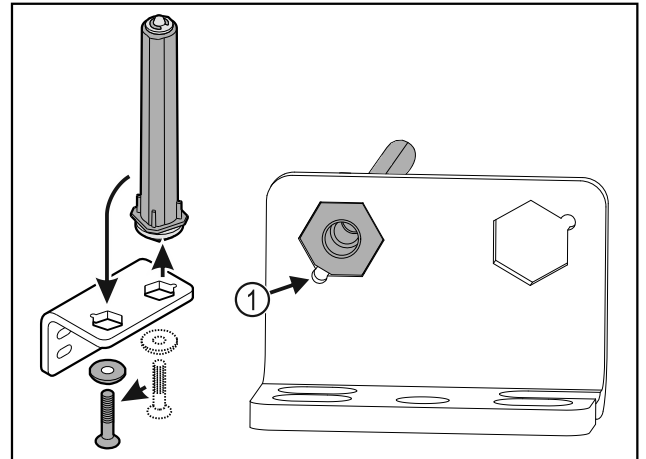


Fig. 19

- ▶ Put the door closing system in the hinge.
- ▶ Make sure the pin chamfer Fig. 19 (1) faces the round hole when you put it in.

-or-

## Note

- Incorrect alignment of the height adjustment washers. Nuts no longer have sufficient hold.
- ▶ The washer must lock into the underside of the closing system.

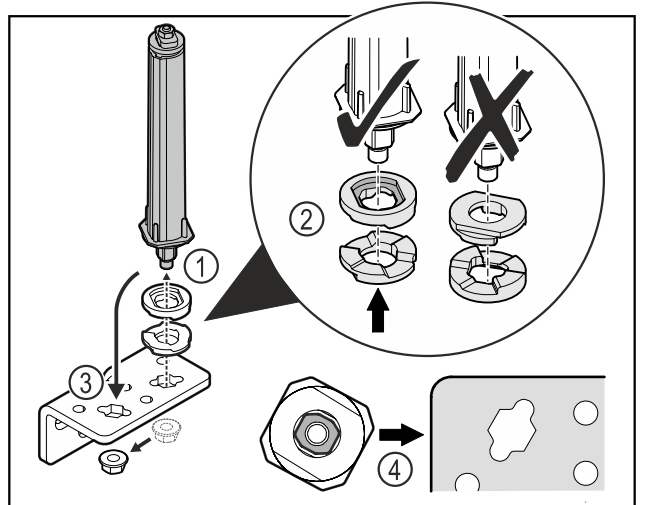


Fig. 20

- ▶ Loosen the nut and remove the door closing system Fig. 20 (1).
- ▶ Observe the correct alignment of the height adjustment washers Fig. 20 (2).
- ▶ Put the door closing system in the hinge and fix in place with the nut Fig. 20 (3).
- ▶ Observe the correct alignment of the door closing system when doing so Fig. 20 (4).

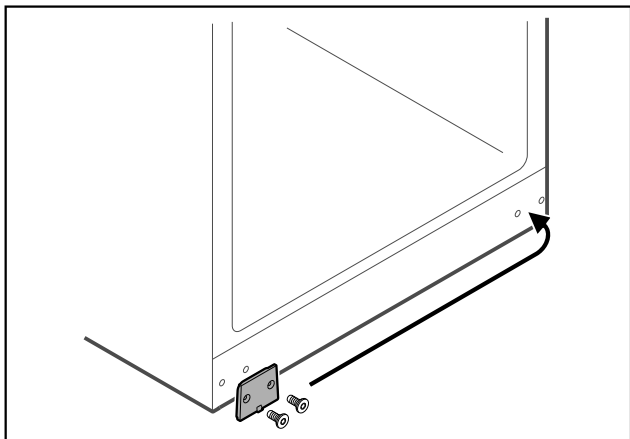


Fig. 21

- ▶ Put the cover plate on the opposite side.

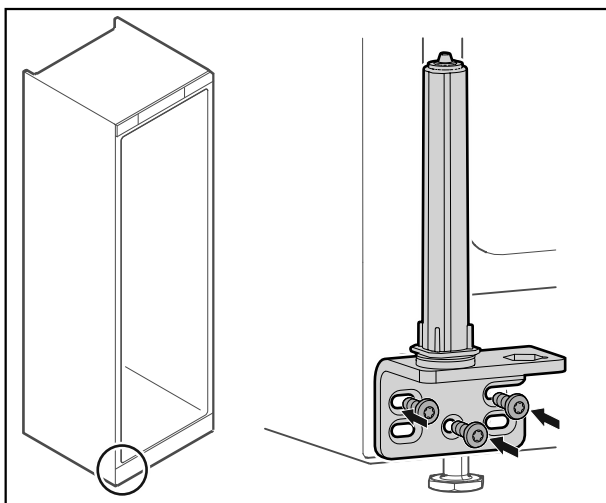


Fig. 22

- ▶ Screw the hinge onto the opposite side.

**Note**

Correct alignment and tension are important for the closing system to work properly.

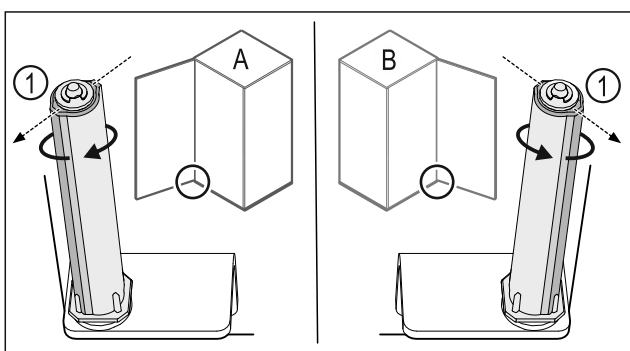


Fig. 23 Left-hinged (A) / Right-hinged (B)

- ▶ Turn the closing system against the resistance until the bar of the closing system Fig. 23 (1) points outwards.
- ▷ The closing system automatically stays in this position.
- ▷ The closing system is now aligned and tensioned.

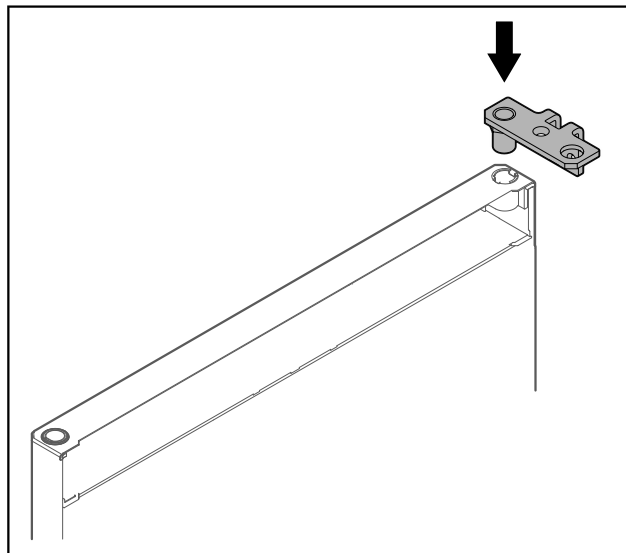


Fig. 24

- ▶ Put the hinge into the door.

**NOTICE**

Risk of injury if the door tips out!

- ▶ Hold the door.

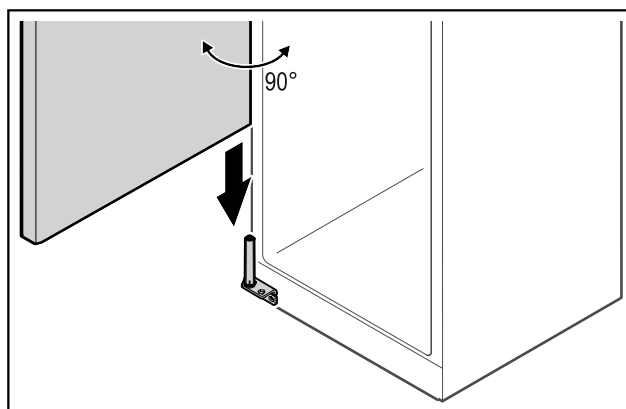


Fig. 25

- ▶ Together with a second person, lift the door from the ground.
- ▶ Carefully put the door on the closing system with the door opened at a 90° angle.

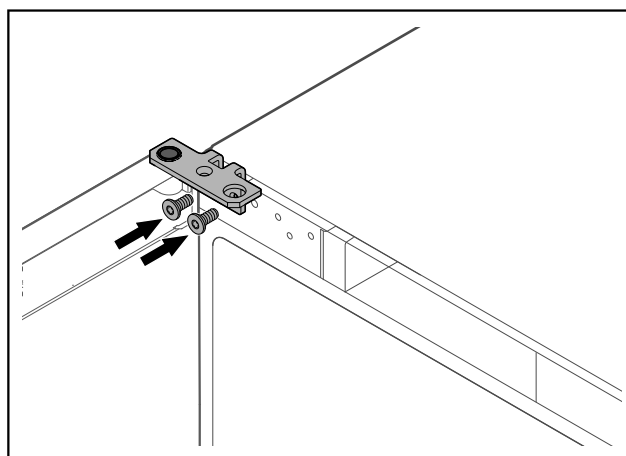


Fig. 26

- ▶ Screw on the hinge.

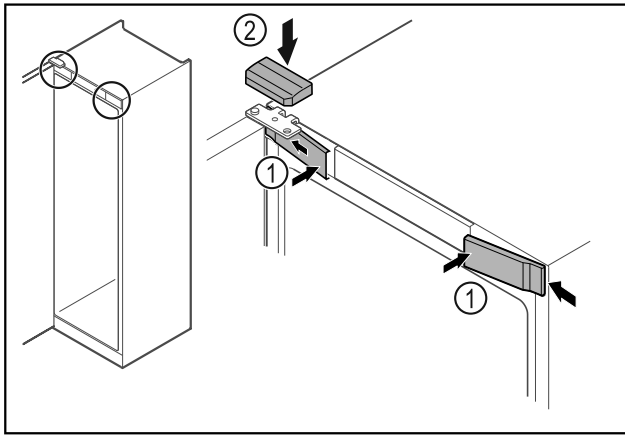


Fig. 27

- ▶ Hook in the front covers Fig. 27 (1) on the side and snap them into place.
- ▶ Snap on the top cover Fig. 27 (2) from above.
- ▶ Close the door.
- ▷ The door has now been reversed.

## 3.12 Aligning the door

If the door is not straight, you can adjust it on the lower hinge.

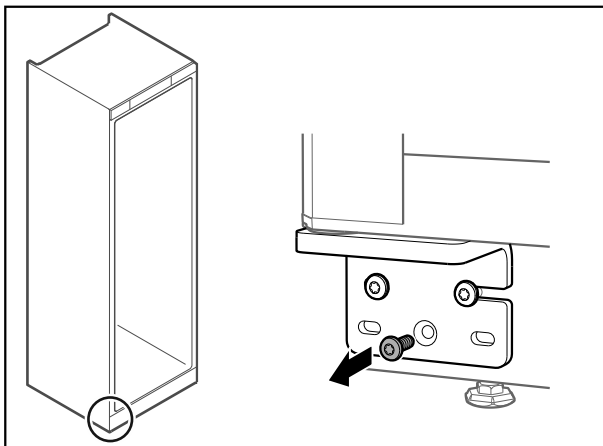


Fig. 28

- ▶ Remove the middle screw on the lower hinge.

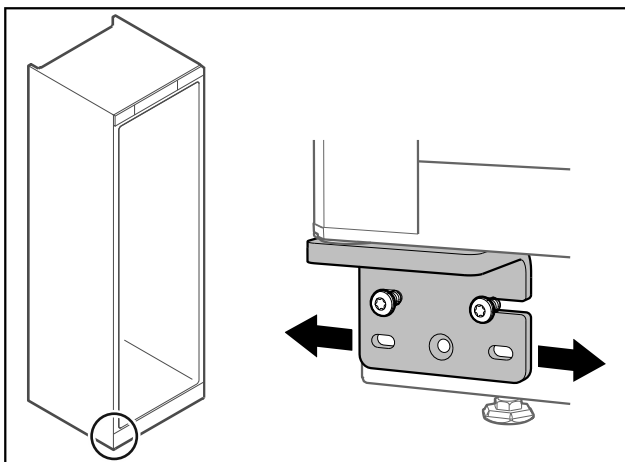


Fig. 29

- ▶ Slightly undo both screws and move the door with the hinge to the left or right.
- ▶ Fully tighten the screws (the middle screw is no longer needed).
- ▷ The door is now straight.

## 3.13 Connecting appliance

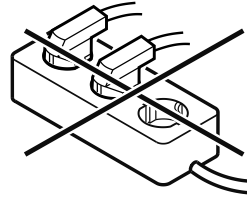


### WARNING

Danger of fire due to incorrect connection!  
Burns.

Damage to the appliance.

- ▶ Do not use an extension cable.
- ▶ Do not use distributor blocks.



### NOTICE

Danger of damage to incorrect connection!

Damage to the appliance.

- ▶ Do not connect the appliance to a stand-alone inverter, e.g. solar power systems and petrol generators.

Make sure that the following requirements are fulfilled:

- The appliance operated using **alternating current** only.
- The permitted voltage and frequency is printed on the type plate. The type plate position can be seen in the appliance overview chapter. (see 1.2 Overview of appliances and equipment)
- The socket is earthed according to the regulations and fused.
- The fuse tripping current is between 10 A and 16 A.
- The socket is easily accessible.
- ▶ Check the electrical connection.
- ▶ Connect the mains plug to the power supply.

## 3.14 Switching on appliance

Make sure that the following requirements are fulfilled:

- The appliance is set up and aligned and there is a suitable power socket.
- All adhesive strips, adhesive and protective films and transport locks are removed from inside and on the appliance.
- ▶ Plug in the power plug.
- ▷ The appliance is switched on.

# 4 Storage

## 4.1 Information regarding storage

### Note

Failure to follow these guidelines can lead to food becoming spoiled.

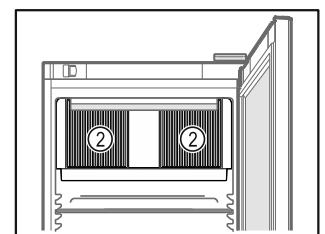
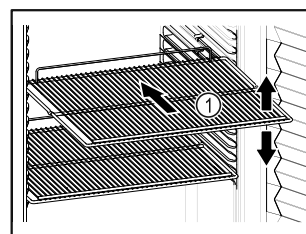


Fig. 30 Example illustration Fig. 31

When stocking observe the following:

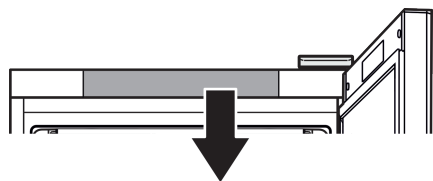
- ❑ If there are adjustable shelves *Fig. 30 (1)*, position them as required.
- ❑ Observe maximum load weight. (see 7.1 Technical specifications)
- ❑ Do not load appliance until storage temperature has been reached (maintain cold chain).
- ❑ Ventilation slots *Fig. 31 (2)* for recirculation fan in the interior must be kept clear.
- ❑ Refrigerated goods must not touch the rear wall.
- ❑ Do not store refrigerated goods beyond the rear stop of the support grates.
- ❑ Ensure items for refrigeration are well packaged.
- ❑ Pack items for refrigeration which easily acquire or emit an odour of flavour in closed containers or cover.
- ❑ Keep liquids in closed containers.
- ❑ Package raw meat or fish in clean, closed containers. This will prevent meat or fish from touching or dripping onto other food.
- ❑ Leave space when storing items for refrigeration to ensure good air circulation.

## 4.2 Storage times

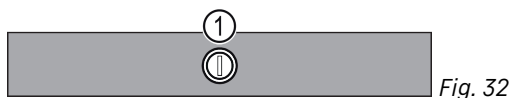
The best-before date specified on the packaging should be used as the reference point for the storage time.

## 5 Controls

### 5.1 Control and display elements



MRFec  
3501  
MRFec  
4001



*Fig. 32 (1) Temperature control*

### 5.2 Appliance functions

#### 5.2.1 Temperature

The temperature depends on the following factors:

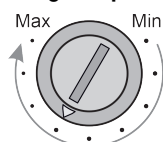
- How often the door is opened
- How long the door is open for
- The room temperature of the installation site
- The type, temperature and amount of refrigerated food

#### Note

At the correct temperature, cooled produce will keep for longer. This avoids disposing of food unnecessarily.

**Recommended temperature setting:** see temperature class on the type plate. (see 1.4 Range of use of appliance)

#### Setting temperature



*Fig. 33 Temperature adjustment knob*

- ▶ Set a lower temperature in the appliance: Turn the knob in the direction "Max". Position "Max" is for the lowest interior appliance temperature.
- ▶ Set a higher temperature in the appliance: Turn the knob in the direction "Min".

## 6 Maintenance

### 6.1 Defrosting appliance



#### WARNING

Improper defrosting of the appliance!  
Injuries and damage.

- ▶ Do not use mechanical equipment or other methods to speed up the defrosting process other than those recommended by the manufacturer.
- ▶ Do not use electrical heating or steam-cleaning appliances, naked flames or defroster sprays to defrost.
- ▶ Do not use sharp objects to remove ice.

Defrosting is performed automatically. The defrost water drains through the opening and evaporates.

To maintain the functionality of the appliance, we recommend defrosting it when there is a high buildup of ice. Icing in the interior is determined by the location (e.g. high humidity), settings on the appliance and incorrect user behaviour.

Manual defrosting:

- ▶ Switch off appliance.
- ▶ Pull out mains plug.
- ▶ Store refrigerated items elsewhere.
- ▶ Leave appliance door open during defrosting process.
- ▶ Soak up remaining defrost water with a cloth, clean drain opening and the appliance.

### 6.2 Cleaning the appliance

#### 6.2.1 Preparing



#### WARNING

Short-circuit hazard due to live parts!  
Electric shock or damage to the electronics.

- ▶ **Switch off the appliance.**
- ▶ Pull out mains plug or switch off fuse.



#### WARNING

Risk of fire

- ▶ Do not damage the refrigeration circuit.

- ▶ Empty the appliance.
- ▶ Pull out the mains plug.
- ▶ Observe the notes on transporting the appliance. (see 3.3 Transporting appliance)

# Maintenance

## 6.2.2 Cleaning housing

### NOTICE

Improper cleaning!

Damage to the appliance.

- ▶ Only use soft cleaning cloths and ph-neutral all-purpose cleaners.
- ▶ Do not use abrasive sponges or steel wool which may cause scratches.
- ▶ Do not use any sharp or abrasive cleaning agents, nor any that contain sand, chloride or acid.



### WARNING

Risk of injury and damage as a result of hot steam!

Hot steam can lead to burns and can damage the surfaces.

- ▶ Do not use any steam cleaners!

### NOTICE

Risk of damage due to short circuit.

- ▶ When cleaning the appliance, make sure no water gets into the electrical components.
- ▶ Wipe the housing down with soft, clean cloth. If very dirty, use lukewarm water with a neutral cleaner. Glass surfaces can also be cleaned with glass cleaner.
- ▶ Clean condenser coil each year. If the condenser coil is not cleaned, this significantly reduces the efficiency of the appliance.

## 6.2.3 Cleaning fan cover

### NOTICE

Risk of damage due to short circuit.

- ▶ When cleaning the appliance, make sure no water gets into the electrical components.

### NOTICE

Improper cleaning!

Damage to the appliance.

- ▶ Only use soft cleaning cloths and ph-neutral all-purpose cleaners.
- ▶ Do not use abrasive sponges or steel wool which may cause scratches.
- ▶ Do not use any sharp or abrasive cleaning agents, nor any that contain sand, chloride or acid.

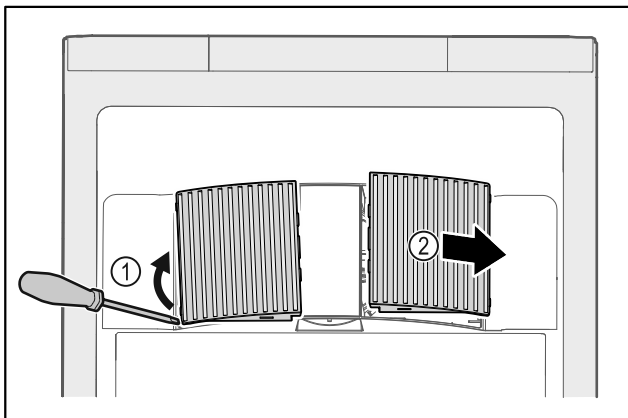


Fig. 34

- ▶ Carefully lever out fan covers from the side Fig. 34 (1) and remove towards the front Fig. 34 (2).
- ▶ Rinse the air slots of the fan covers under running water. If very dirty, use lukewarm water with a neutral cleaner.
- ▶ Leave fan covers to air-dry completely.
- ▶ Reattach fan covers to the appliance.

## 6.2.4 Cleaning interior with a hose



### WARNING

Short-circuit hazard due to live parts!

Electric shock or damage to the electronics.

- ▶ **Switch off the appliance.**
- ▶ Pull out mains plug or switch off fuse.



### WARNING

Risk of injury and damage as a result of hot steam!

Hot steam can lead to burns and can damage the surfaces.

- ▶ Do not use any steam cleaners!

### NOTICE

Improper cleaning!

Damage to the appliance.

- ▶ Only use soft cleaning cloths and ph-neutral all-purpose cleaners.
- ▶ Do not use abrasive sponges or steel wool which may cause scratches.
- ▶ Do not use any sharp or abrasive cleaning agents, nor any that contain sand, chloride or acid.

### Note

- ▶ Defrost water drain (see 1.2 Overview of appliances and equipment) : Remove deposits using a thin material (for example a cotton bud).

### Note

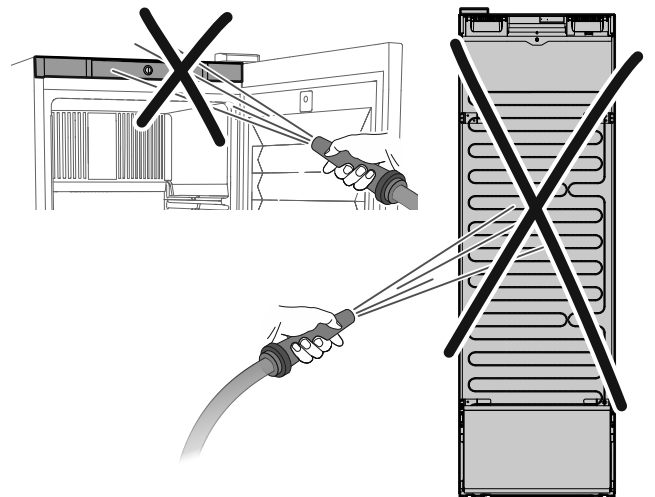
Do not damage or remove the type plate on the inside of the appliance. The type plate is important for Customer Service. (see 7.3 Customer Service)

### NOTICE

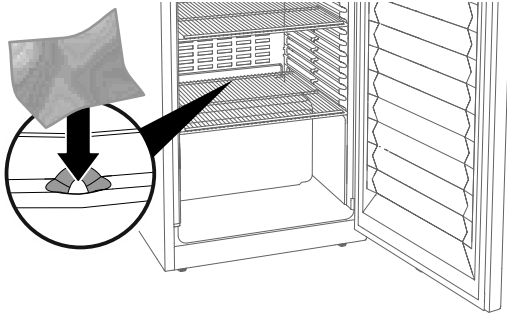
Cleaning incorrectly damages the appliance!

Keep to the following requirements to avoid damaging the appliance:

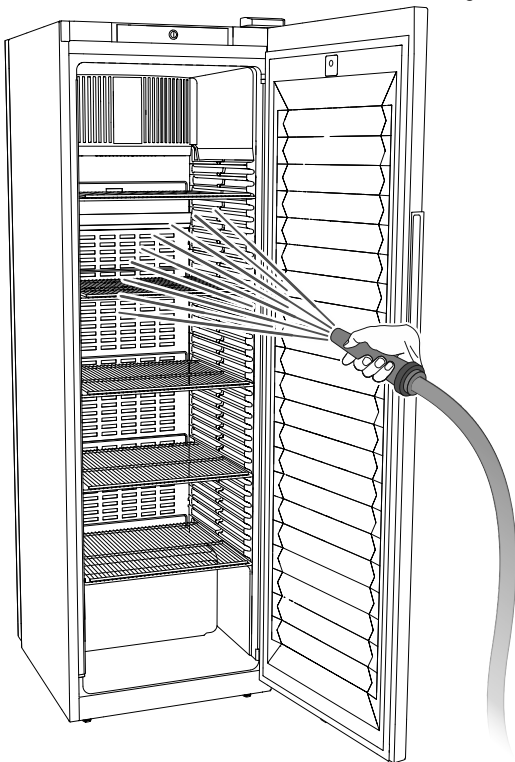
- ▶ Use commercially available hose.
- ▶ Do not use a high pressure cleaner.
- ▶ Recommended internal diameter of nozzle: 6.3 mm
- ▶ Adjust the water pressure so that the volume flow set is a maximum of 12.5 l/min.
- ▶ Distance from the nozzle to the surface of the housing: 2.5 to 3 m.
- ▶ The mains cable must not be on the floor when cleaning and must not become wet.
- ▶ Do not direct the water jet at the front panel or at the rear.



- ▶ Hook up mains cable at the back of the appliance to prevent it from getting wet (for example on the condenser).
- ▶ Open the door.
- ▶ Empty the appliance.
- ▶ Cover the defrost water drain with a cloth so that not too much water runs into the defrost water drain receptacle.



- ▶ Clean interior as shown using a hose.



- ▶ Remove cloth from the defrost water drain.
- ▶ Wipe appliance and equipment parts dry.
- ▶ Keep door open to prevent mould from forming.
- ▶ Do not start up the appliance again until after 24 hours.
- ▶ Connect and switch on appliance.
- ▶ Once the temperature is sufficiently cold:
  - ▶ put in items for refrigeration goods.
  - ▶ Repeat cleaning regularly.
- ▶ Clean and dust refrigerators with a heat exchanger (metal grille on the rear of the appliance) once per year.

## 7 Customer help

### 7.1 Technical specifications

Temperature range	
Refrigeration	+2 °C to +9 °C

Maximum load per shelf <sup>A)</sup>		
Appliance width	600 mm	750 mm
Grid shelves	45 kg	60 kg
Glass shelf	40 kg	40 kg
Wooden shelf	45 kg	60 kg
Drawer	50 kg	50 kg

A) Heavier loads may result in a slight bending of the shelves.

Maximum net capacity
See net capacity on the type plate. (see 1.2 Overview of appliances and equipment)

### 7.2 Technical fault

Your appliance is designed and built to ensure it works reliably and has a long service life. In the unlikely event that a fault occurs during operation, please check whether the fault is due to an operating error. If this is the case, you will be charged for the cost incurred even if this falls within the warranty period.

You can fix the following faults yourself.

#### 7.2.1 Appliance function

### 6.2.5 After cleaning

#### NOTICE

Short-circuit hazard.

Water can get into the terminal box.

- ▶ After cleaning with a hose, do not tilt the appliance to the right side as seen from the front.

Defect	Cause	Remedy
The appliance is not working.	→ The appliance is not switched on.	▶ Switch on the appliance.
	→ The mains plug is not properly plugged into the socket.	▶ Check the mains plug.
	→ There is something wrong with the fuse in the socket.	▶ Check fuse.
	→ Power cut	▶ Keep the appliance closed.

# Shutting down

Defect	Cause	Remedy
Temperature is not cold enough.	→ The appliance door is not closed properly.	▶ Close appliance door.
	→ Ventilation is not sufficient.	▶ Clear ventilation grille and clean it.
	→ The ambient temperature is too high.	▶ Ensure the correct ambient conditions: (see 1.4 Range of use of appliance)
	→ The appliance was opened too many times or for too long.	▶ Wait to see if the appliance goes back to the required temperature by itself. If not, contact Customer Service. (see 7.3 Customer Service)
	→ The temperature is set incorrectly.	▶ Set a colder temperature and check after 24 hours.
	→ The appliance is too close to a heat source (oven, radiator, etc).	▶ Change where the appliance or the heat source are located.

## 7.3 Customer Service

First check whether you can remedy the fault yourself. If this is not the case, please contact Customer Service.

You can find the address in the enclosed brochure "Liebherr-Service" or at [home.liebherr.com/service](http://home.liebherr.com/service).



### WARNING

Unprofessional repair!  
Injuries.

- ▶ Have any repairs and action - not expressly specified - on the appliance and mains cable carried out by service personnel only. (see 6 Maintenance)
- ▶ A damaged mains cable may only be replaced by the manufacturer, the manufacturer's Customer Service or a similarly qualified person.
- ▶ In the case of appliances with an IEC connector, the change may be made by the customer.

### 7.3.1 Contacting Customer Service

Make sure you have the following appliance data at the ready:

- Appliance name (model and index)
- Service no. (Service)
- Serial no. (S no.)
- ▶ Access the appliance information via the display.
- or-
- ▶ Refer to the type plate for appliance information. (see 7.4 Type plate)
- ▶ Note down appliance information.
- ▶ Inform Customer Service: Report faults and the appliance information.
- ▷ This will help us to provide a fast and focussed service.
- ▶ Follow any further instructions provided by Customer Service.

## 7.4 Type plate

The type plate is inside the appliance. See appliance overview.

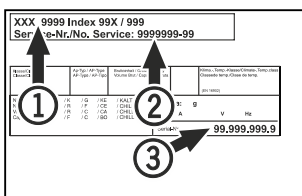


Fig. 35

- (1) Appliance designation      (3) Serial No.  
(2) Service No.

## 8 Shutting down

- ▶ Empty the appliance.
- ▶ Switch off the appliance.
- ▶ Pull out the mains plug.
- ▶ Clean appliance (see 6.2 Cleaning the appliance).
- ▶ Leave the door open so that no bad odours form.

### Note

Damage to the appliance and malfunctions!

- ▶ After shutting down, only store the appliance at the permitted room temperature of between -10 °C and +50 °C.

## 9 Disposal

### 9.1 Preparing appliance for disposal



Li-Ion

Liebherr uses batteries in some of its appliances. In the EU, for environmental reasons, legislation obliges the end user to remove these batteries before disposing of old appliances. If your appliance contains batteries, a corresponding notice is attached.

Lamps If you can remove the lamps yourself without destroying them, also remove these before disposal.

- ▶ Take the appliance out of operation.
- ▶ Appliances with batteries: remove the batteries. For description, see **Maintenance** chapter.
- ▶ If possible: remove lamps without destroying them.

### 9.2 Disposing of the appliance in an environmentally friendly manner



The appliance still contains valuable materials and must be disposed of separately from unsorted municipal waste.





Dispose of batteries separately from the old appliance. To do this, you can return the batteries free of charge to retailers as well as recycling centres and collection centres for recyclable materials.

Lamps

Dispose of removed lamps via the respective collection systems.

For Germany:

You can dispose of the appliance free of charge via the class 1 collection containers at the local recycling and recyclable material collection centres. When purchasing a new fridge/freezer, if the sales area > 400 m<sup>2</sup>, retailers will also take back the old appliance free of charge.



### **WARNING**

Leaking coolant and oil!

Fire. The coolant contained in the appliance is eco-friendly, but also flammable. The oil contained in the appliance is flammable. Escaping coolant and oil can ignite if the concentration is high enough and in contact with an external heat source.

▶ Do not damage the pipelines of the coolant circuit and the compressor.

- 
- ▶ Transport the appliance without damaging it.
  - ▶ Dispose of batteries, lamps and the appliance according to the above specifications.

## 10 Additional information

Further information on warranty conditions can be found in the enclosed service brochure or on the Internet at <https://home.liebherr.com>.



[home.liebherr.com/fridge-manuals](https://home.liebherr.com/fridge-manuals)

**EN** Beverage cooler  
ORIGINAL OPERATOR'S MANUAL

Issue date: 20240202

**Part number index: 7085871-00**

Liebherr-Hausgeräte Ochsenhausen GmbH  
Memminger Straße 77-79  
88416 Ochsenhausen  
Deutschland