

# HW 4800

Wine Refrigerator

# LIEBHERR

## Refrigeration and Freezing



home.liebherr.com



### HW 4800

Energy consumption (kWh / y)	150
Sound rating dB(A)	36
Total capacity cu.ft. (l)	5.6 (158)
Max. No. of Bordeaux bottles (0.75l)	48
Number of shelves	6
Shelves on telescopic rails	4
Self material	Beech wood
Presentation shelf	Yes
Electronic control	Touch electronic
Temperature range °F (°C)	41 to 68°F (5 to 20°C)
Temperature zones	2
Temperature alarm	Yes
Interior light	LED interior lighting
Door alarm	Yes
Safety thermostat	Yes- TempProtect Plus
Activated charcoal filter	Yes
Door type	Panel ready, glass
Door hinges	Right, reversible
SoftSystem	Yes
Door lock	No
<b>Product dimensions</b>	
in inch (H / W / D)	48 / 21 15/16 / 21 13/16
in cm (H / W / D)	121.8 / 55.7 / 55.3
<b>Cut out dimensions</b>	
in inch (H / W / D)	48 1/16 / 22 1/16 / 21 11/16
in cm (H / W / D)	122 / 56 / 55
Net weight lbs. (kg)	-
Voltage V / Hz	115/60

### Accessories

FreshAir charcoal filter	9882470
Ventilation grill	7420465 9097348
Stainless steel panel with handle	9901575
Brushed aluminum square handle	9901561
Stainless-steel round handle	9904734

### Features

#### LED

LED lighting is energy efficient, long-lasting, and maintenance-free.

#### Wine

Wine storage cabinets provide similar conditions to wine cellars. A constant temperature prevails throughout the interior in these appliances. It can be set to between 41° to 68° F (5° to 20°C) as required. Wine storage cabinets are ideal for the long-term storage and maturing of wines.

#### Soft System

SoftSystem integrated into the appliance door, cushions the door closure, thus eliminating slamming, even when the shelves are fully loaded.

#### Telescopic Rails

Telescopic rails a self-closing system for drawers and shelves, ensures easy and convenient handling.

#### ADA Compliant

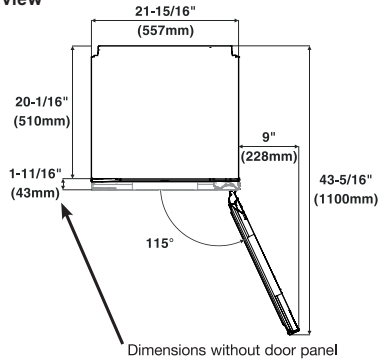
ADA compliant, with control panel designed to be accessible within 55" from the floor.

\*\* Noise output – according to EN 60704-3

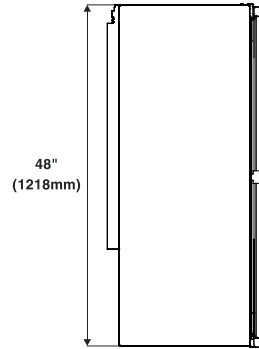
# Diagrams

## Product Dimensions

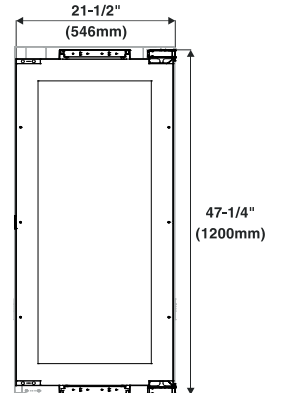
Top view



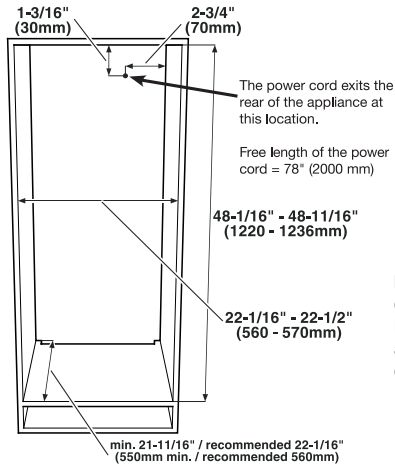
Side view



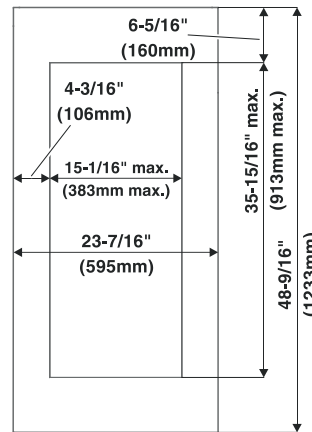
Dimensions of Appliance Door



## Cabinet Dimensions

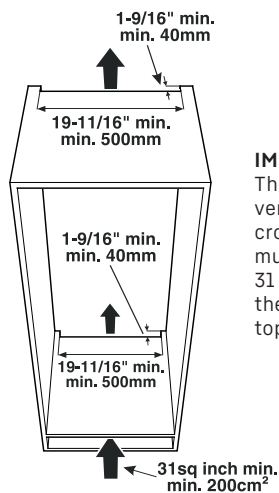


## Custom Panel Dimensions

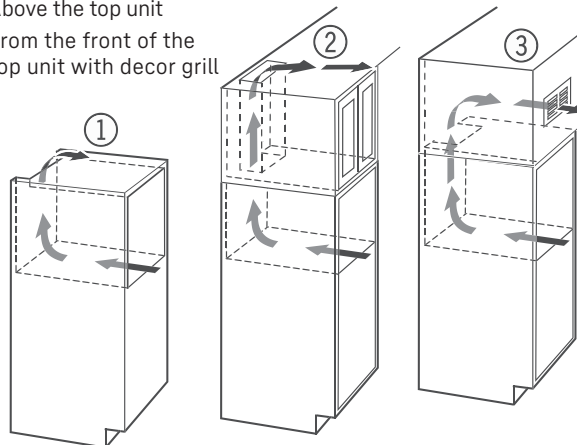


Maximum weight of the custom panel door is 44 lbs (20kg). The door should be at least 5/8 in. (16 mm) thick to allow the connecting rails to be fastened to it. The maximum thickness of the door panel can be 3/4 in. (19mm).

## Ventilation Requirements



- ① Directly above the appliance
- ② Above the top unit
- ③ From the front of the top unit with decor grill



**IMPORTANT** When using decor grills, the sum of the individual openings must total a minimum of 31 square inches. A cut-out section of 31 square inches (200 cm<sup>2</sup>) for installing the ventilation grill is thus not sufficient.