

Product Information Log Loader

LH 50 M Timber

Litronic®

Generation

6

Operating Weight

84,000 – 88,000 lb*

Engine

228 HP (l)/170 kW

Stage Tier 4f

* Without attachment



LIEBHERR

Performance

Power Plus Speed –
Redefined Performance

Economy

Good Investment –
Savings for Long-term



Reliability

Durability and Sustainability –
Quality Down to the Last Detail

Comfort

Perfection at a Glance –
When Technology is Comfortable

Maintainability

Efficiency Bonus –
Even with Maintenance and Service



Well Thought Out to the Last Detail





Optimised Travel Motor

- Better performance with lower fuel consumption even on uphill grades
- Powerful, robust, reliable and quiet
- Protection for the travel drive components thanks to a robust steel frame



Rigid Cab Elevation LFC 120

- New, clever, space-saving access system with integrated treads and 10° inclination for easy access and more safety



Piston Rod Protection

- Robust construction for maximum protection ensuring a long service life in tough applications
- Available as an option for support cylinders as well as hoist and stick cylinders

Convincing in Operation



Performance

Increased Engine Output

Engine output has been increased from 160 kW to 170 kW compared to the predecessor models, giving the system more torque for more powerful movement. Furthermore, load peaks are compensated cleverly, meaning maximum torque is available at all times for maximum handling capacity.

Captivating Dynamics

The combination of 170 kW of engine output and a high pump delivery volume guarantees maximum acceleration and speed of working motions.

4-Wheel Steering

The standard 4-wheel steering provides great agility and manoeuvrability of the log loader, even in the tight space of a timber yard. Furthermore, the 4-wheel steering increases driving stability and improves the driving in one lane.

Economy

Closed Hydraulic Circuit for the Swing Mechanism

The closed slewing circuit feeds the braking energy back into the system when the uppercarriage is braked. Here, new standards are set in terms of efficiency and economy. Simple yet effective.

Liebherr-Power Efficiency (LPE)

LPE optimizes the interaction of the drive components in terms of efficiency and enables machine operation in the area of the lowest specific fuel use for less consumption and greater efficiency with the same performance.

Efficient Drive Operation

The electric swivel angle adjustment in the drive motor provides for more torque, maximum acceleration and higher traction. That allows a constantly high performance to be called up even on uphill grades. Optimal adjustment of speed and delivery volume ensures impressive fuel efficiency even at maximum speed.

Reliability

Quality and Competence

Our experience, understanding of customer needs and the technical implementation of these findings guarantee the success of the product. For decades, Liebherr has been inspirational with its knowledge of production and system solutions. Key components such as the diesel engine, electronic components, slew ring, swivel drive and hydraulic cylinders are developed and produced by Liebherr itself. The great depth of in-house manufacturing guarantees maximum quality and ensures that components are optimally configured to each other.

Protective Devices

Especially in tough timber application the material handlers are used heavily. The optional protective devices extend the component service life and guarantee high machine availability with maximum safety for people and machine.

Intelligent Self Diagnostics

The clever control electronics permanently monitor the vital functions of the machine to guarantee a high level of machine availability. Components which are critical for safety are designed with redundancy to guarantee maximum safety.

Comfort

Proportional Control

In timber yards, where space is tight, precision and fine control are especially important. The 4-way mini-joystick with its proportional control make for efficient use of the machine. The streamlined design and ergonomic form of the joystick further increase functionality directly in the hands of the operator for simple and efficient control.

Slewing Gear Brake Comfort

The standard slewing gear brake comfort control allows the selection between the mode manual, semiautomatic and automatic.

This standard slewing gear brake in the manual mode can be opened and closed with the button on the joystick. In the semiautomatic mode the slew gear brake can also be closed manually but automatically opened again when the uppercarriage is moved via the joystick control.

The automatic mode allows the slewing gear brake to be closed automatically when the predefined time, set by the operator, has passed and the uppercarriage has stopped moving. It can be opened automatically as soon as the uppercarriage is moved via the joystick control.

By opening and closing the slewing gear brake automatically the operator can work faster and more safely with less effort.

Maintainability

Service-based Machine Design

The service-based machine design guarantees short servicing times, thus minimizing maintenance costs due to the time it saves. All the maintenance points are easily accessible from the ground and easy to reach due to the large, wide-opening service doors. The enhanced service concept places the maintenance points close to each other and reduces their number to a minimum. This means that service work can be completed even more quickly and efficiently.

Integral Maintenance Benefits

Completing maintenance work helps keep the machine fully functional. Maintenance work does, however, mean machine down times which must be minimized. Automatic central lubrication systems for attachment and the uppercarriage as well as optional systems for the undercarriage, quick coupling system and working tools not only make it easier to observe the recommended lubrication intervals and ensure a long service life for the components, but also increase the productivity of the Liebherr log loader LH 50 M Timber.

Technical Data



Diesel Engine

Rating per SAE J1349/ISO 9249	228 HP (l) (170 kW) at 1,800 rpm
Model	Liebherr D934
Type	4 cylinder in-line
Bore/Stroke	4.8/5.9 in
Displacement	427,17 in ³
Engine operation	4-stroke diesel Common-Rail turbo-charged and after-cooled reduced emissions
Air cleaner	dry-type air cleaner with pre-cleaner, primary and safety elements
Engine idling	sensor controlled
Electrical system	
Voltage	24 V
Batteries	2 x 180 Ah/ 12 V
Alternator	three-phase current 28 V/ 140 A
Stage Tier 4f	
Harmful emissions values	in accordance with EPA/CARB-40CFR stage Tier 4f
Emission control	Liebherr-SCR technology
Fuel tank	122 gal
Urea tank	17 gal



Cooling System

Diesel engine	water-cooled compact cooling system consisting cooling unit for water, hydraulic oil and charge air with step-less thermostatically controlled fan
----------------------	---



Hydraulic Controls

Power distribution	via control valves with integrated safety valves, simultaneous actuation of chassis and equipment. Swing drive in separate closed circuit
Servo circuit	
Equipment and swing	with electro-hydraulic pilot control and proportional joystick levers
Chassis	electro-proportional via foot pedal
Additional functions	via switch or electro-proportional foot pedals
Proportional control	proportionally acting transmitters on the joysticks for additional hydraulic functions



Hydraulic System

Hydraulic pump	2 Liebherr axial piston variable displacement pumps (double construction)
for equipment and travel drive	
Max. flow	2 x 63 gpm
Max. pressure	5,076 psi
for swing drive	reversible axial piston variable displacement pump, closed-loop circuit
Max. flow	38 gpm
Max. pressure	5,366 psi
Hydraulic pump regulation and control	2 circuit Liebherr-Synchron-Comfort-system (LSC) with electronic engine speed sensing regulation, pressure and flow compensation, automatic oil flow optimizer
Hydraulic tank	75 gal
Hydraulic system	155 gal
Hydraulic oil filter	1 main return filter with integrated partial micro filtration (5 µm)
MODE selection	adjustment of engine and hydraulic performance via a mode pre-selector to match application, e.g. for especially economical and environmentally friendly operation or for maximum material handling and heavy-duty jobs
S (Sensitive)	mode for precision work and lifting through very sensitive movements
E (Eco)	mode for especially economical and environmentally friendly operation
P (Power)	mode for high performance with low fuel consumption
P+ (Power-Plus)	mode for highest performance and for very heavy duty applications, suitable for continuous operation
Engine speed and performance setting	stepless alignment of engine output and hydraulic power via engine speed
Option	Tool Control: 20 pre-adjustable pump flows and pressures for add-on attachments



Swing Drive

Drive	Liebherr axial piston motor in a closed system, Liebherr planetary reduction gear
Swing ring	Liebherr, sealed race ball bearing swing ring, internal teeth
Swing speed	0 – 8.0 rpm stepless
Swing torque	61,955 lbf ft
Holding brake	wet multi-disc (spring applied, pressure released)
Operation holding brake	slewing gear brake Comfort



Operator's Cab

Cab	TOPS safety cab structure (tip-over protection) with individual windscreens or featuring a slide-in subpart under the ceiling, work headlights integrated in the ceiling, a door with a sliding window (can be opened on both sides), large stowing and depositing possibilities, shock-absorbing suspension, sound damping insulating, tinted laminated safety glass, separate shades for the sunroof window and windscreen
Operator's seat Comfort	air cushioned operator's seat with 3D-adjustable armrests, headrest, lap belt, seat heater, adjustable seat cushion inclination and length, lockable horizontal suspension, automatic weight adjustment, adjustable suspension stiffness, pneumatic lumbar vertebrae support and passive seat climatization with active coal
Operator's seat Premium (Option)	in addition to operator's seat comfort: active electronic weight adjustment (automatic re-adjustment), pneumatic low frequency suspension and active seat climatization with active coal and ventilator
Control system	joysticks with control consoles and swivel seat, folding left control console
Operation and displays	large high-resolution operating unit, self-explanatory, color display with touchscreen, video-compatible, numerous settings, control and monitoring options, e.g. air conditioning control, fuel consumption, machine and attachment parameters
Air-conditioning	automatic air-conditioning, recirculated air function, fast de-icing and demisting at the press of a button, air vents can be operated via a menu; recirculated air and fresh air filters can be easily replaced and are accessible from the outside; heating-cooling unit, designed for extreme outside temperatures, sensors for solar radiation, inside and outside temperatures



Undercarriage

Drive	oversized two speed power shift transmission with additional creeper speed, Liebherr axial piston motor with functional brake valve on both sides
Travel speed	Joystick and wheel steering 0 – 1.9 mph stepless (creeper speed + transmission stage 1) 0 – 3.1 mph stepless (transmission stage 1) 0 – 6.2 mph stepless (creeper speed + transmission stage 2) 0 – 12.4 mph stepless (transmission stage 2)
Driving operation	automotive driving using accelerator pedal, cruise control function: storage of variable accelerator pedal positions
Axes	156,528 lb drive axles; manual or automatic hydraulically controlled front axle oscillation lock
Four wheel steering	standard
Steering reversal control	standard
Service brake	two circuit travel brake system with accumulator; dry and backlash-free drum brake
Holding brake	wet multi-disc (spring applied, pressure released)
Stabilization	stabilizer blade rear
Option	stabilizer blade rear and front



Equipment

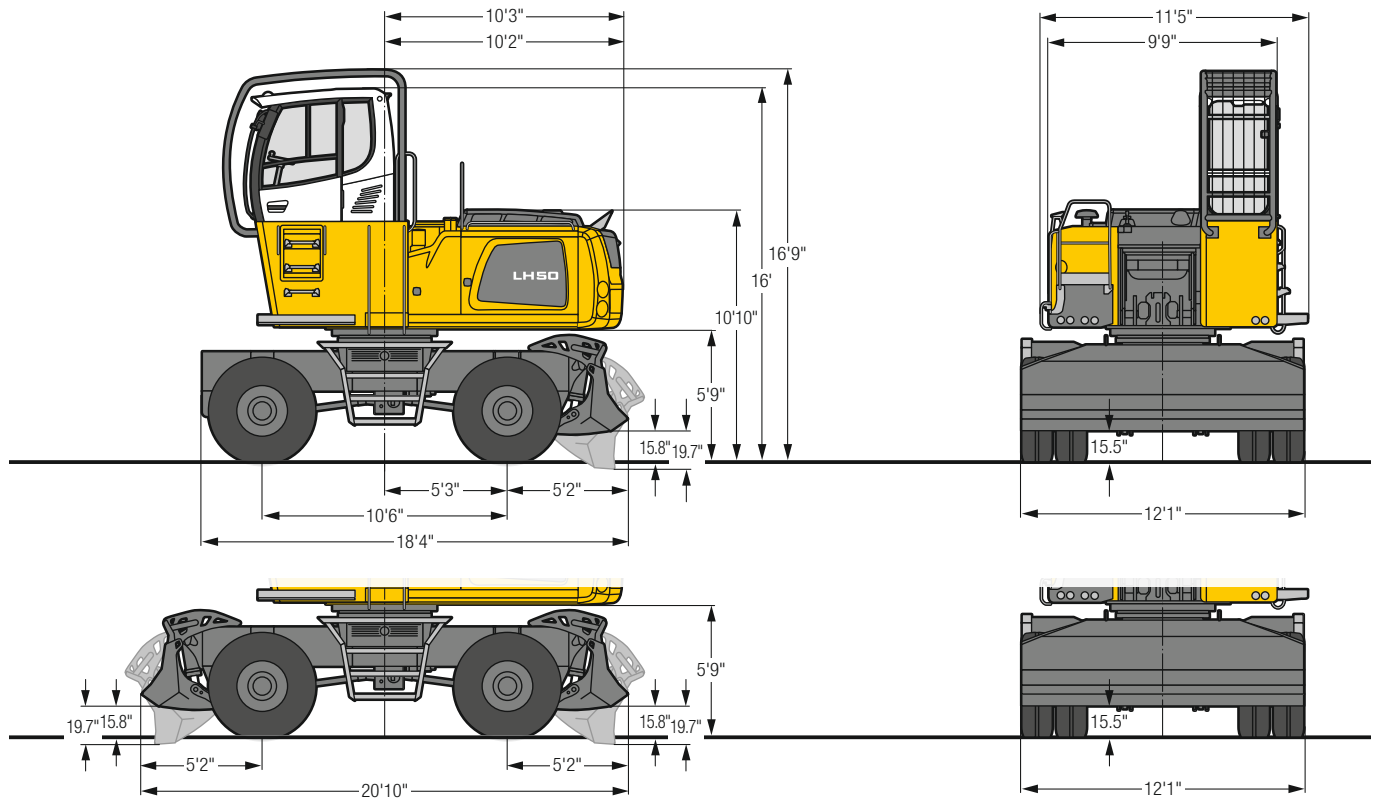
Type	high-strength steel plates at highly-stressed points for the toughest requirements. Complex and stable mountings of equipment and cylinders
Hydraulic cylinders	Liebherr cylinders with special seal system as well as shock absorption
Bearings	sealed, low maintenance



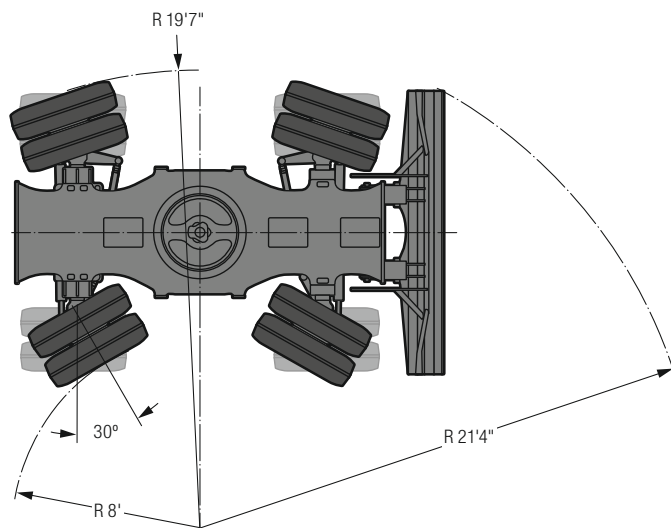
Complete Machine

Lubrication	Liebherr central lubrication system for upper-carriage and equipment, automatically
Option	Liebherr central lubrication system for under-carriage, automatically
Steps system	safe and durable access system with anti-slip steps; main components hot-galvanized
Noise emission	
ISO 6396	L _{PA} (inside cab) = 71 dB(A)
2000/14/EC	L _{WA} (surround noise) = 104 dB(A)

Dimensions



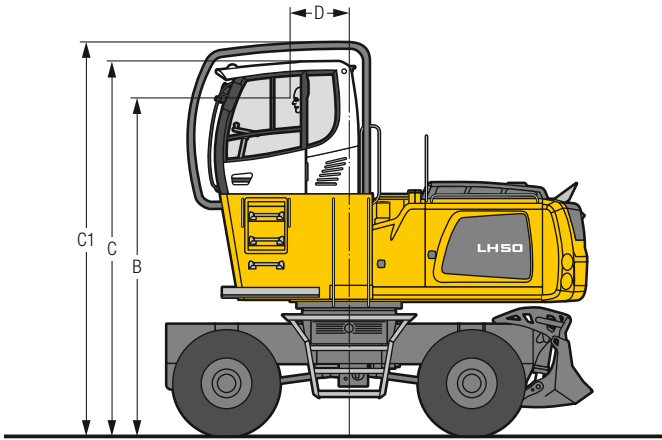
Turning Radius



Tires 14.00-24

Choice of Cab Elevation

Cab Elevation LFC (Rigid Elevation)

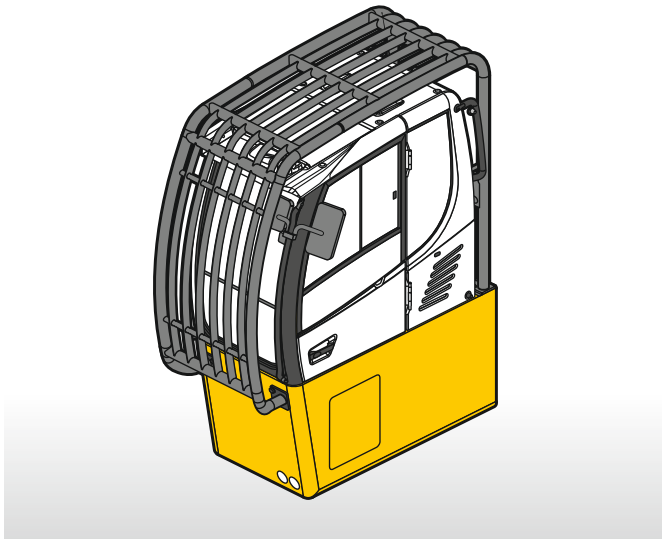


Increase type	LFC 120
Height	3'11"
B	14' 5"
C	16'
C1	16' 9"
D	2' 6"

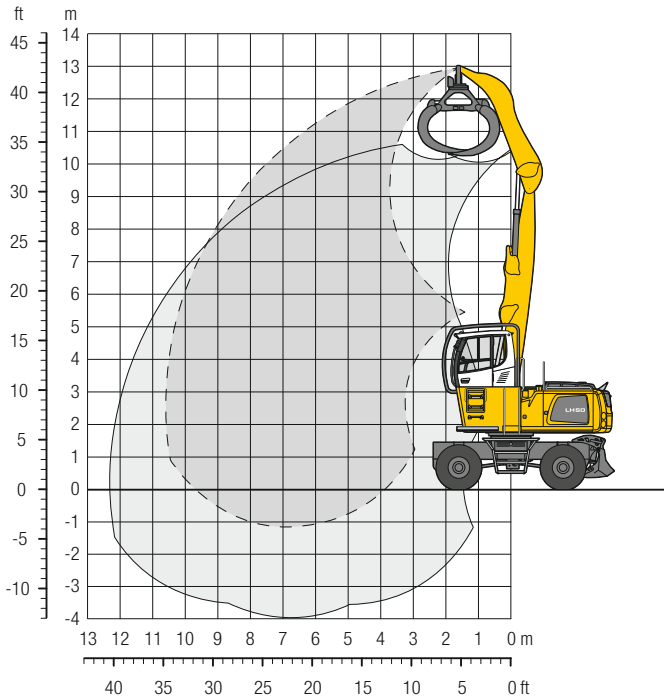
A rigid cab elevation has a fixed eye level height. For a lower transport height, the shell of the cab can be removed and replaced by a transport device. On this machine dimension C is 13'1".

Cab Protection

Integral Guard



Equipment GA11

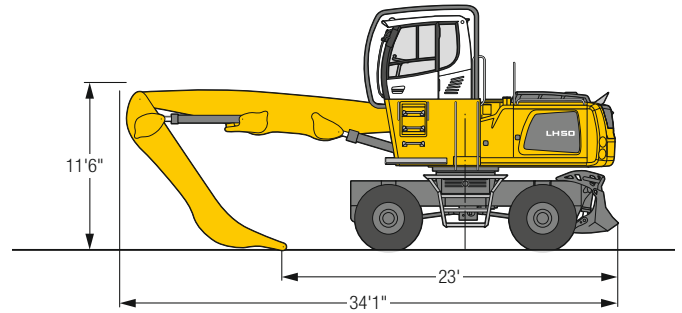


Operating Weight

The operating weight includes the basic machine with stabilizer blade, rigid cab elevation, 8 pneumatic tires, straight boom 22', angled stick 14'1" and wood grab GMH 50/2.99 yd².

Weight	88,800 lb
--------	-----------

Dimensions

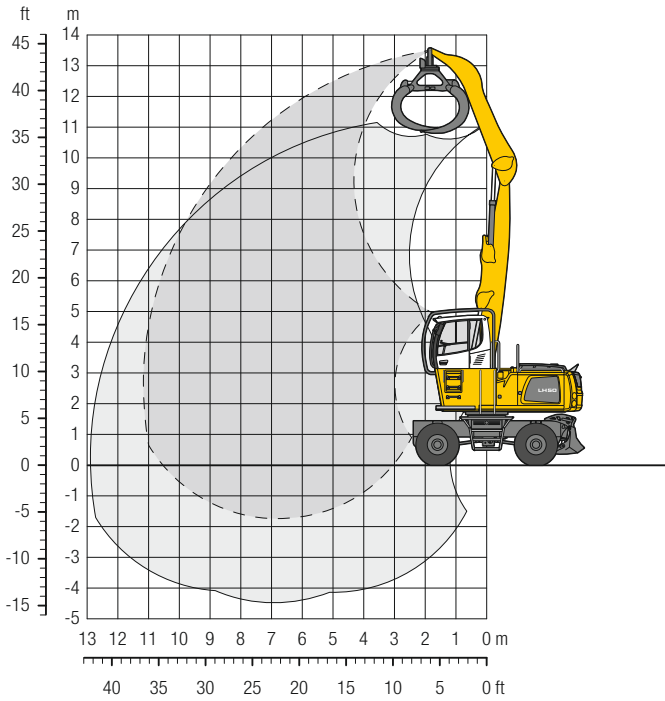


ft	Undercarriage	10 ft		15 ft		20 ft		25 ft		30 ft		35 ft		ft in		
40	Stabilizers raised (drive operation)	24,8*	24,8*											20,5*	20,5*	14' 1"
	Stabilizers raised	24,8*	24,8*											20,5*	20,5*	
	Stabilizer blade down	24,8*	24,8*											20,5*	20,5*	
35	Stabilizers raised (drive operation)			23,3*	23,3*	19,6*	19,6*							16,5*	16,5*	22' 2"
	Stabilizers raised			23,3*	23,3*	19,6*	19,6*							16,5*	16,5*	
	Stabilizer blade down			23,3*	23,3*	19,6*	19,6*							16,5*	16,5*	
30	Stabilizers raised (drive operation)			24,7*	24,7*	20,6	22,4*	14,4	17,5					12,5	15,0*	27' 2"
	Stabilizers raised			24,7*	24,7*	22,4*	22,4*	18,0	18,7*					15,0*	15,0*	
	Stabilizer blade down			24,7*	24,7*	22,4*	22,4*	18,7*	18,7*					15,0*	15,0*	
25	Stabilizers raised (drive operation)			26,3*	26,3*	20,4	22,8*	14,4	17,4	10,7	13,0			10,4	12,7	30' 6"
	Stabilizers raised			26,3*	26,3*	22,8*	22,8*	17,9	19,5*	13,4	15,7*			13,0	14,4*	
	Stabilizer blade down			26,3*	26,3*	22,8*	22,8*	19,5*	19,5*	14,6	15,7*			14,2	14,4*	
20	Stabilizers raised (drive operation)	25,9*	25,9*	29,7*	29,7*	19,7	23,7*	14,0	17,1	10,6	12,9			9,2	11,3	32' 8"
	Stabilizers raised	25,9*	25,9*	29,7*	29,7*	23,7*	23,7*	17,6	19,8*	13,2	16,2			11,5	14,1	
	Stabilizer blade down	25,9*	25,9*	29,7*	29,7*	23,7*	23,7*	19,2	19,8*	14,5	16,9*			12,6	14,3*	
15	Stabilizers raised (drive operation)	48,6*	48,6*	29,1	32,7*	18,8	23,1	13,6	16,6	10,4	12,7			8,5	10,5	34' 1"
	Stabilizers raised	48,6*	48,6*	32,7*	32,7*	23,5	25,0*	17,0	20,3*	13,0	15,9			10,6	13,1	
	Stabilizer blade down	48,6*	48,6*	32,7*	32,7*	25,0*	25,0*	18,5	20,3*	14,2	17,0*			11,7	14,4*	
10	Stabilizers raised (drive operation)			26,9	33,8	17,8	22,0	13,0	16,0	10,1	12,4			8,2	10,1	34' 8"
	Stabilizers raised			33,6	35,0*	22,3	25,9*	16,3	20,1	12,6	15,5			10,2	12,6	
	Stabilizer blade down			35,0*	35,0*	24,5	25,9*	17,9	20,5*	13,8	16,7*			11,2	13,4*	
5	Stabilizers raised (drive operation)			25,3	28,2*	17,0	21,2	12,6	15,6	9,8	12,2			8,1	10,1	34' 7"
	Stabilizers raised			28,2*	28,2*	21,2	25,6*	15,7	19,5	12,3	15,2			10,2	12,3*	
	Stabilizer blade down			28,2*	28,2*	23,4	25,6*	17,3	20,1*	13,5	16,0*			11,2	12,3*	
0	Stabilizers raised (drive operation)			23,4*	23,4*	16,5	20,6	12,3	15,2	9,7	12,0			9,0	11,1	31'10"
	Stabilizers raised			23,4*	23,4*	20,6	23,5*	15,3	18,4*	12,1	14,3*			11,2	12,7*	
	Stabilizer blade down			23,4*	23,4*	22,8	23,5*	16,9	18,4*	13,3	14,3*			12,3	12,7*	
-5	Stabilizers raised (drive operation)															
	Stabilizers raised															
	Stabilizer blade down															

Height Can be slewed through 360° In longitudinal position of undercarriage Max. reach * Limited by hydr. capacity

The lift capacities on the stick end without attachment are stated in lb x 1,000 and are valid on a firm, level supporting surface with blocked oscillating axle. These capacities can be slewed through 360° with the undercarriage in the transverse position. Capacities in the longitudinal position of the undercarriage (+/- 15°) are specified over the steering axle with the stabilizers raised and over the rigid axle with the stabilizers down. Indicated loads based on the ISO 10567 standard and do not exceed 75% (according to EN 474-5 in drive operation only 60%) of tipping or 87% of hydraulic capacity. The lift capacity of the unit is limited by its stability, the lifting capability of the hydraulic elements, or the maximum permissible lifting capacity of the load hook.

Equipment GA11

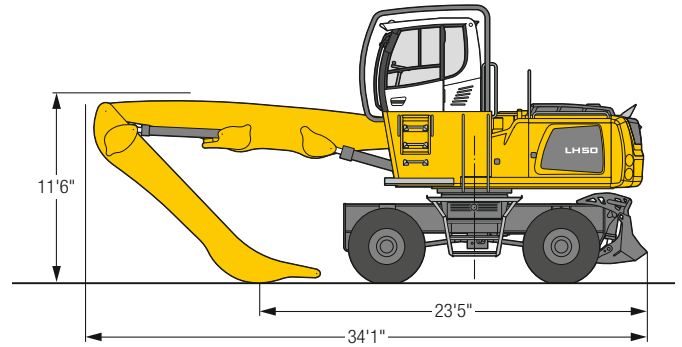


Operating Weight

The operating weight includes the basic machine with stabilizer blade, rigid cab elevation, 8 pneumatic tires, straight boom 22', angled stick 16'1" and wood grab GMH 50/2.99 yd².

Weight	89,200 lb
--------	-----------

Dimensions



ft	Undercarriage	10 ft		15 ft		20 ft		25 ft		30 ft		35 ft		ft in		
40	Stabilizers raised (drive operation)			19,8*	19,8*									16,5*	16,5*	18' 5"
	Stabilizers raised			19,8*	19,8*									16,5*	16,5*	
	Stabilizer blade down			19,8*	19,8*									16,5*	16,5*	
35	Stabilizers raised (drive operation)			21,2*	21,2*	19,0*	19,0*	14,2*	14,2*					14,0*	14,0*	25' 1"
	Stabilizers raised			21,2*	21,2*	19,0*	19,0*	14,2*	14,2*					14,0*	14,0*	
	Stabilizer blade down			21,2*	21,2*	19,0*	19,0*	14,2*	14,2*					14,0*	14,0*	
30	Stabilizers raised (drive operation)			21,6*	21,6*	20,9*	20,9*	14,7	17,8					11,0	12,9*	29' 7"
	Stabilizers raised			21,6*	21,6*	20,9*	20,9*	18,4*	18,4*					12,9*	12,9*	
	Stabilizer blade down			21,6*	21,6*	20,9*	20,9*	18,4*	18,4*					12,9*	12,9*	
25	Stabilizers raised (drive operation)			22,0*	22,0*	20,8	21,7*	14,6	17,7	10,9	13,2			9,4	11,5	32' 8"
	Stabilizers raised			22,0*	22,0*	21,7*	21,7*	18,2	18,7*	13,6	16,4*			11,7	12,5*	
	Stabilizer blade down			22,0*	22,0*	21,7*	21,7*	18,7*	18,7*	14,8	16,4*			12,5*	12,5*	
20	Stabilizers raised (drive operation)			24,3*	24,3*	20,1	22,7*	14,2	17,3	10,7	13,0			8,4	10,3	34'10"
	Stabilizers raised			24,3*	24,3*	22,7*	22,7*	17,8	19,2*	13,4	16,3			10,5	12,4*	
	Stabilizer blade down			24,3*	24,3*	22,7*	22,7*	19,2*	19,2*	14,6	16,5*			11,5	12,4*	
15	Stabilizers raised (drive operation)	29,7*	29,7*	29,9	31,1*	19,2	23,4	13,7	16,7	10,4	12,8	8,2	10,1	7,8	9,6	36' 1"
	Stabilizers raised	29,7*	29,7*	31,1*	31,1*	23,9	24,1*	17,1	19,8*	13,0	15,9	10,2	12,6	9,8	12,0	
	Stabilizer blade down	29,7*	29,7*	31,1*	31,1*	24,1*	24,1*	18,7	19,8*	14,2	16,7*	11,2	14,0*	10,7	12,5*	
10	Stabilizers raised (drive operation)	15,3*	15,3*	27,5	34,0*	18,0	22,3	13,1	16,1	10,1	12,4	8,0	9,9	7,5	9,3	36' 7"
	Stabilizers raised	15,3*	15,3*	34,0*	34,0*	22,5	25,3*	16,4	20,2	12,6	15,5	10,0	12,4	9,4	11,6	
	Stabilizer blade down	15,3*	15,3*	34,0*	34,0*	24,8	25,3*	18,0	20,2*	13,8	16,6*	11,0	13,6*	10,3	12,5*	
5	Stabilizers raised (drive operation)	6,4*	6,4*	25,5	32,4	17,0	21,2	12,6	15,6	9,8	12,1	7,9	9,8	7,5	9,3	36' 6"
	Stabilizers raised	6,4*	6,4*	31,9	34,6*	21,3	25,6*	15,7	19,4	12,2	15,1	9,9	12,2	9,3	11,5*	
	Stabilizer blade down	6,4*	6,4*	34,6*	34,6*	23,5	25,6*	17,3	20,1*	13,4	16,2*	10,8	12,7*	10,2	11,5*	
0	Stabilizers raised (drive operation)			24,5	25,0*	16,4	20,5	12,1	15,1	9,5	11,9			7,9	9,9	34' 7"
	Stabilizers raised			25,0*	25,0*	20,5	24,2*	15,2	18,9	11,9	14,8			9,9	11,4*	
	Stabilizer blade down			25,0*	25,0*	22,7	24,2*	16,7	18,9*	13,1	14,9*			10,9	11,4*	
-5	Stabilizers raised (drive operation)					16,1	20,2	11,9	14,9					10,8	13,5	26'11"
	Stabilizers raised					20,1	20,9*	14,9	16,4*					13,6	14,8*	
	Stabilizer blade down					20,9*	20,9*	16,4*	16,4*					14,8*	14,8*	

Height Can be slewed through 360° In longitudinal position of undercarriage Max. reach * Limited by hydr. capacity

The lift capacities on the stick end without attachment are stated in lb x 1,000 and are valid on a firm, level supporting surface with blocked oscillating axle. These capacities can be slewed through 360° with the undercarriage in the transverse position. Capacities in the longitudinal position of the undercarriage (+/- 15°) are specified over the steering axle with the stabilizers raised and over the rigid axle with the stabilizers down. Indicated loads based on the ISO 10567 standard and do not exceed 75% (according to EN 474-5 in drive operation only 60%) of tipping or 87% of hydraulic capacity. The lift capacity of the unit is limited by its stability, the lifting capability of the hydraulic elements, or the maximum permissible lifting capacity of the load hook.

Equipment

Undercarriage

Stabilizer and dozer blade, rear	•
Stabilizer and dozer blade, rear and front	+
4-wheel steering	•
Trailer coupling	+
Mudguards (rear and front)	+
Shuttle axle lock, automatic	•
Protection for oscillating axle cylinders	+
Two lockable storage compartments	•

Uppercarriage

Uppercarriage right side light, 1 piece, LED	•
Railing on uppercarriage	+
Main battery switch for electrical system	•
Amber beacon, at uppercarriage, LED double flash	+
Protection for counterweight (both sides)	+
Protection for headlights	+
Protection for uppercarriage (both sides)	+
Protection for rear lights	+
Tool equipment, extended	•

Hydraulic System

Electronic pump regulation	•
Liebherr hydraulic oil from -4 °F to +104 °F	•
Liebherr hydraulic oil, biologically degradable	+
Magnetic rod in hydraulic tank	•
Bypass filter	+
Preheating hydraulic oil	+

Engine

Fuel anti-theft device	+
Air pre-filter with dust discharge	+
Automatic engine shut-down (time adjustable)	+
Preheating fuel	+
Preheating coolant	+
Preheating engine oil *	+

Cooling System

Radiator, large-mesh, for dust-intensive operation	•
Reversible fan drive, fully automatic	+
Protective grid in front of cooler intake	•



Operator's Cab

Stabilizer, control lever, left console	+
Stabilizer, proportional control on left joystick	•
Front headlights integral protective grid, left side, halogen	+
Front headlights integral protective grid, left side, LED	+
Cab lights rear, halogen	+
Cab lights rear, LED	+
Cab lights front, halogen	•
Cab lights front, LED	+
Armrest adjustable	•
Slewing gear brake Comfort, button on the left or right joystick	•
Driver profile, personalized (max. 5 drivers)	+
Operator's seat Comfort	•
Operator's seat Premium	+
Driving alarm (acoustic signal is emitted during travel, can be switched ON/OFF)	+
Fire extinguisher	+
Horn, button on left joystick	•
Joystick and wheel steering (slim version)	•
Cab elevation, rigid (LFC)	•
Automatic air conditioning	•
LIDAT, vehicle fleet management	•
Proportional control	•
Radio Comfort, control via display with handsfree set	+
Preparation for radio installation	•
Amber beacon, on cabin, LED double flash	+
Windows made from impact-resistant laminated safety glass	+
Windscreen wiper, roof	+
Windshield wiper, entire windscreen	•
Integral guard	•
Sun visor	+
Left control console, folding	•



Equipment

Boom lights, 2 pieces, halogen	•
Boom lights, 2 pieces, LED	+
Stick lights, 2 pieces, halogen	•
Stick lights, 2 pieces, LED	+
Boom shutoff (retract/extend), electronically	•
Equipment with electro-hydraulic end position control	•
Pressure warning mechanism hoist cylinder	•
Filter system for attachment	+
Electronic lift limitation	+
Boom cylinder cushioning	•
Stick camera (with separate monitor), bottom side, with protection	+
Load torque limitation	+
Pipe fracture safety valves hoist cylinders	•
Pipe fracture safety valves stick cylinders	•
Protection for piston rods, hoist cylinder	+
Protection for piston rods, stick cylinder	+
Retract stick without pressure	+
Overload warning device	+



Complete Machine

Lubrication	
Lubrication undercarriage, manually – decentralized (grease points)	•
Central lubrication system for uppercarriage and equipment, automatically	•
Central lubrication system for undercarriage, automatically	+
Central lubrication system, extension for attachment	+
Special coating	
Special coating, variants	+
Monitoring	
Rear view monitoring with camera	•
Side view monitoring with camera	•

• = Standard, + = Option

* = country-dependent

Options and/or special equipments, supplied by vendors other than Liebherr, are only to be installed with the knowledge and approval of Liebherr in order to retain warranty.

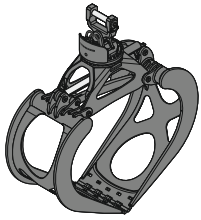
Attachments



Wood Grab

Grab model GMH 50 round-shaped (overlapping, horizontal cylinders)

Size	yd ²	2.99	2.99	3.35	3.83
Cutting width	ft in	2'10"	3'3"	3'3"	3'3"
Height of grab, closed	ft in	7'11"	7'11"	8'3"	8'8"
Weight	lb	4,630	4,795	4,980	5,105



Wood Grab

Grab model GMH 50 heart-shaped (tip-to-tip closing, straight design, horizontal cylinders)

Size	yd ²	2.63	2.99	3.35	3.83
Cutting width	ft in	2'10"	3'3"	3'3"	3'3"
Height of grab, closed	ft in	8'7"	9'	9'4"	9'10"
Weight	lb	4,830	4,960	5,160	5,245



Wood Grab

Grab model GMH 50 combi-shaped (tip-to-tip closing, horizontal cylinders)

Size	yd ²	3.83		3.83	
Cutting width	ft in	2'10"		3'3"	
Height of grab, closed	ft in	9'1"		9'1"	
Weight	lb	5,025		5,125	



Wood Grab

Grab model GMH 80 round-shaped (complete overlapping, vertical cylinders)

Size	yd ²	1.91	2.27	2.63	2.99
Cutting width	ft in	2'10"	2'10"	2'10"	2'10"
Height of grab, closed	ft in	9'6"	9'9"	10'1"	10'4"
Weight	lb	4,980	5,080	5,160	5,245

WARNING

This product can expose you to chemicals including lead and lead compounds, which are known to the State of California to cause cancer and birth defects or other reproductive harm.

For more information go to www.P65warnings.ca.gov.

WARNING

Breathing diesel engine exhaust exposes you to chemicals known to the State of California to cause cancer and birth defects or other reproductive harm.

- ▶ Always start and operate the engine in a well-ventilated area.
- ▶ If in an enclosed area, vent the exhaust to the outside.
- ▶ Do not modify or tamper with exhaust system.
- ▶ Do not idle the engine except as necessary.

For more information go to www.P65warnings.ca.gov/diesel.