



## Installation Guide

Quality, Design and Innovation



[home.liebherr.com/fridge-manuals](http://home.liebherr.com/fridge-manuals)




# LIEBHERR






# General safety instructions

## Contents

<b>1</b>	<b>General safety instructions.....</b>	<b>2</b>
<b>2</b>	<b>Setup conditions.....</b>	<b>3</b>
2.1	Space.....	3
2.2	Setting up multiple appliances.....	3
2.3	Electrical connection.....	4
<b>3</b>	<b>Appliance dimensions.....</b>	<b>4</b>
<b>4</b>	<b>Recess dimensions.....</b>	<b>5</b>
<b>5</b>	<b>Ventilation requirements.....</b>	<b>5</b>
<b>6</b>	<b>Custom panel weights.....</b>	<b>6</b>
<b>7</b>	<b>Water connection*.....</b>	<b>6</b>
7.1	Water pressure.....	6
<b>8</b>	<b>Transporting the appliance.....</b>	<b>6</b>
<b>9</b>	<b>Unpacking the appliance.....</b>	<b>6</b>
<b>10</b>	<b>Setting up the appliance.....</b>	<b>6</b>
10.1	After setup.....	7
<b>11</b>	<b>Disposal of packaging.....</b>	<b>7</b>
<b>12</b>	<b>Explanatory symbols used.....</b>	<b>7</b>
<b>13</b>	<b>Reversing the door.....</b>	<b>8</b>
<b>14</b>	<b>Connecting the appliance to the water supply*.....</b>	<b>10</b>
14.1	Connecting the water pipe.....	11
14.2	Check the water system.....	11
<b>15</b>	<b>Fit the appliance into the recess.....</b>	<b>12</b>
<b>16</b>	<b>Cabinet fronts.....</b>	<b>20</b>
16.1	Dimensions.....	20
16.2	Mounting the cabinet front(s).....	21
16.3	Setting the clearance to avoid collision.....	21
<b>17</b>	<b>Water tank*.....</b>	<b>22</b>
17.1	Inserting the water tank.....	22
<b>18</b>	<b>Water filter*.....</b>	<b>22</b>
18.1	Installing the water filter.....	22
<b>19</b>	<b>Connecting the appliance to the power supply.....</b>	<b>23</b>

The manufacturer is constantly working to improve all types and models. Therefore, please be aware that we reserve the right to make changes to the shape, equipment and technology.

Symbol	Explanation
	<b>Read instructions</b> Please read the information in these instructions carefully to understand all of the benefits of your new appliance.

Symbol	Explanation
	<b>Additional information online</b> The digital manual with supplemental information can be found online by scanning the QR code on the front page of this manual or by entering the service number at <a href="http://home.liebherr.com/fridge-manuals">home.liebherr.com/fridge-manuals</a> .
	<b>Check appliance</b> Check all parts for transport damage. If you have any complaints, please contact your agent or customer service.
	<b>Differences</b> These instructions apply to a range of models, so there may be differences. Sections that apply to certain models only are indicated by an asterisk (*).
	<b>Instructions and results</b> Instructions are marked with a ▶. Results are marked with a ▷.
	<b>Videos</b> Videos about the appliances are available on the YouTube channel of Liebherr-Hausgeräte.

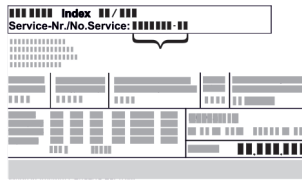
### Open-source licenses:

The appliance includes software components that make use of open-source licenses. You can find information on the open-source licenses to be used here: [home.liebherr.com/open-source-licenses](http://home.liebherr.com/open-source-licenses)

## 1 General safety instructions

- Please keep this assembly manual in a safe place so you can refer back to it at any time.
- If you pass the appliance on, please hand this assembly manual to the new owner.
- Read this assembly manual before installation and use in order to use the appliance safely and correctly. Follow the instructions, safety instructions and warning messages included at all times. They are important for ensuring you can operate and install the appliance safely and without any problems.
- First read the general safety instructions in the “General safety instructions” section of the **operating instructions**, which accompany these installation instructions, and follow them. If you cannot find the **operating instructions**, you can download the **operating instructions** from the internet by entering the service number at

[home.liebherr.com/fridge-manuals](http://home.liebherr.com/fridge-manuals). The service number can be found on the serial



tag:

- **Observe the warning messages and other detailed information in the other sections when installing the appliance:**

	DANGER	indicates a hazardous situation, which if not avoided, will result in death or serious injury.
	WARNING	indicates a hazardous situation, which if not avoided, could result in death or serious injury.
	CAUTION	indicates a hazardous situation, which if not avoided, will result in minor or moderate injury.
	NOTICE	indicates a hazardous situation, which if not avoided, could result in damage to property.
	Note	indicates useful advice and tips.

## 2 Setup conditions



### WARNING

Risk of fire due to moisture!

If live parts or the power cord get wet, this can cause a short circuit.

- The appliance is designed for use in enclosed spaces. Do not operate the appliance in open space or in damp areas or where there is spray.

Normal use

- Only set up and use the appliance in enclosed spaces.
- Only use once installed.

## 2.1 Space



### WARNING

Leaking refrigerant and oil!

Fire. The refrigerant contained within the appliance is environmentally friendly, but flammable. The oil contained within the appliance is flammable. Escaping refrigerant and oil can ignite if they are of high enough concentration and are exposed to an external heat source.

- Do not damage the pipelines of the coolant circuit and the compressor.

- If the appliance is installed in a very damp environment condensate water may form on the outside of the appliance.

Always ensure sufficient airflow and ventilation in the setup location.

- The more refrigerant there is in the appliance, the larger the space that it is installed in must be. If the space is too small, any leak may create a flammable mixture of gas and air. For every 8 g (0.28 oz) of refrigerant, the installation space must be at least 1 m<sup>3</sup> (35.5 ft<sup>3</sup>). Specifications on the refrigerant in the appliance can be found on the serial tag plate inside the appliance.

### 2.1.1 Installation surface

- The floor of the installation site must be horizontal and level.
- If you are installing the unit in a cabinet standing on an uneven floor: level the cabinet.

### 2.1.2 Installation position

- Do not install the appliance in an area with direct sunlight, next to a heating unit or similar.
- You can install the appliance directly next to an oven.
- If you install the appliance directly next to an oven, its energy consumption may increase slightly. This depends on the service life and how often the oven is used.
- Only install the appliance in solid cabinets.

### Note

A set for restricting the door opening angle to 90° can be acquired from Customer Services for appliances with soft closing.\*

## 2.2 Setting up multiple appliances

The appliances were developed for different installation options. If you want to install several appliances side by side or on top of each other, make sure that the following requirements are met:

- Only install those appliances side by side or on top of each other that were developed for the purpose.
- Observe the instructions and the following table.

# Appliance dimensions

## NOTICE

Risk of damage caused by water condensate!

- ▶ Do not set up the appliance next to another refrigeration/freezer unit.

## NOTICE

Risk of damage from condensation!

- ▶ Do not set up the appliance directly above another refrigeration/freezer unit.

Model	Installation type
All models	individually
Models with a model designation that starts with <b>S...</b>	Side-by-Side (SBS)
Models up to a maximum recess height of 880 mm (34 5/8 in) and with heated ceiling can be "set up" on top of each other. Top appliance up to a maximum recess height of 140 mm (5 1/2 in)	On top of each other

Models and their installation type

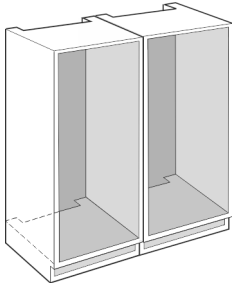


Fig. 1

Install each appliance in a separate cabinet recess.

## 2.3 Electrical connection



### WARNING

Danger of fire due to incorrect positioning!

If the power supply cable or plug touches the back of the appliance, the vibration can damage the power supply cable or the plug resulting in a short circuit.

- ▶ Make sure the power supply cable is not trapped under the appliance when you position the appliance.
- ▶ Install the appliance so that it does not touch any plugs or power cables.
- ▶ Do not connect any appliances to sockets in the area of the back of the appliance.
- ▶ Do **not** place and operate power strips/power distributors and other electronic devices (such as halogen transformers) at the back of the appliances.

## 3 Appliance dimensions

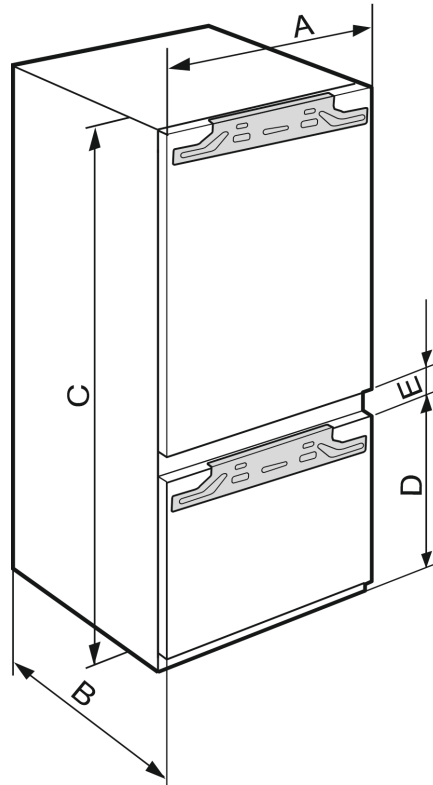


Fig. 2

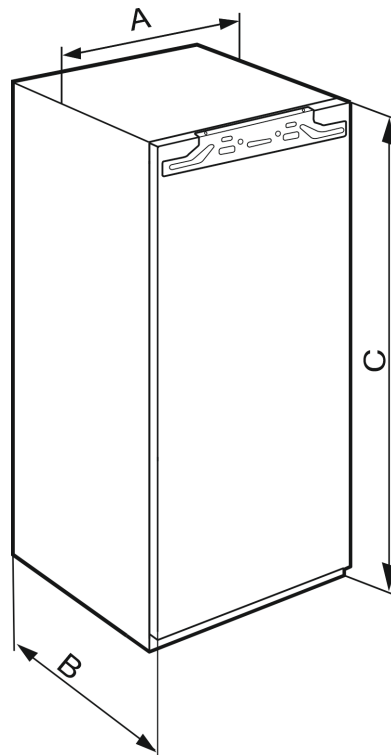


Fig. 3



IC5100PC / IC5110IM / IC5110IMPC / ICB5160IM / IRB5160 / IRBP5170 / SIF5181	
<b>A ( mm ( in) )</b>	559 (22)
<b>B ( mm ( in) )</b>	546 (21 1/2)
<b>C ( mm ( in) )</b>	1770 (69 11/16)
<b>D* ( mm ( in) )</b>	695 (27 3/8)
<b>E* ( mm ( in) )</b>	15 (5/8)

IC5100PC / IC5110IM / IC5110IMPC / ICB5160IM / IRB5160 / IRBP5170 / SIF5181	
<b>L ( mm ( in) )</b>	max. 19 (3/4)

## 4 Recess dimensions

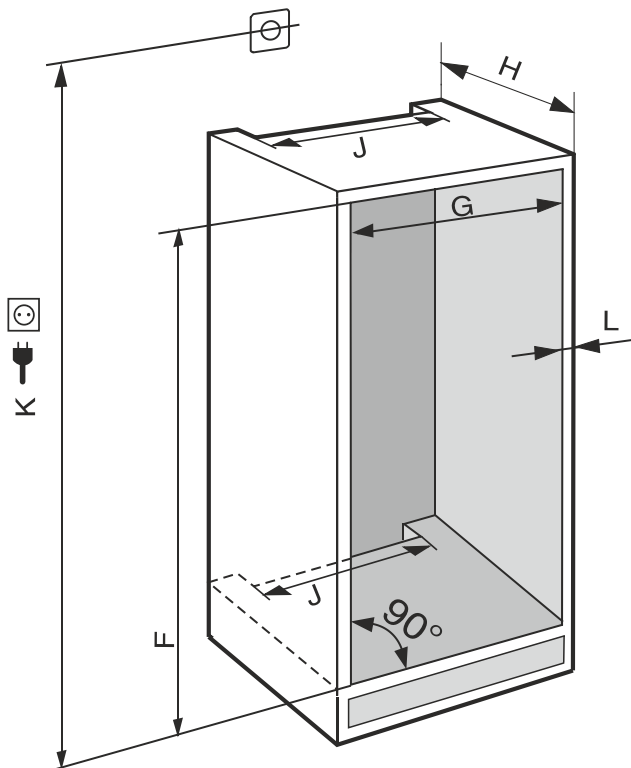


Fig. 4 (K): max. 2100 mm (82 11/16 in)

Observe the following information for appliances with a permanent water connection:

- Water connection (see 7 Water connection\*)
- Connect the appliance to the water supply (see 14 Connecting the appliance to the water supply\*)

IC5100PC / IC5110IM / IC5110IMPC / ICB5160IM / IRB5160 / IRBP5170 / SIF5181	
<b>F ( mm ( in) )</b>	1772 to 1788 (69 13/16 to 70 7/16)
<b>G ( mm ( in) )</b>	560 to 570 (22 1/16 to 22 1/2)
<b>H ( mm ( in) )</b>	min. 550, recommended 560 (min. 21 11/16, recommended 22 1/16)
<b>J ( mm ( in) )</b>	min. 500 (19 11/16)

The specified energy consumption was determined with a kitchen unit depth of 560 mm (22 1/16 in). The appliance will work properly at a kitchen unit depth of 550 mm (21 11/16 in), but with a slightly higher energy consumption.

- ▶ Check the wall thickness of adjacent units: It must be a minimum of 16 mm (5/8 in).
- ▶ Only fit the appliance into stable, solid kitchen units. Secure the unit against tipping.
- ▶ Align the cabinets with a level and a try square. If necessary, level them by putting something underneath them.
- ▶ Make sure floor and the side panels of the cabinet are at right angles to each other.

## 5 Ventilation requirements

### NOTICE

Covered vents!

Damage. Appliance can overheat, which can reduce the service life of various parts of the appliance and lead to functional impairments.

- ▶ Always ensure good ventilation.
- ▶ Always keep vents or ventilation grills in the appliance housing and in the kitchen structure (built-in appliance) unobstructed.
- ▶ Never block air vents of the fan.

### Note

The clearance at the back of the appliance must be 13 mm (1/2 in). If the clearance is less than 13 mm (1/2 in), energy consumption may increase.

Comply with the ventilation gaps:

- The depth of the ventilation shaft at the back of the cabinet must be at least 38 mm (1 1/2 in).
- At least 200 cm<sup>2</sup> (31 in<sup>2</sup>) is required for the ventilation gap cross sections in the plinth and the housing cabinet.
- Basically, the larger the ventilation cross-section, the more efficiently the appliance will run.

Sufficient ventilation is required for the operation of the appliance. The ventilation grids provided ensure an effective ventilation cross-section on the appliance of 200 cm<sup>2</sup> (31 in<sup>2</sup>). If you replace the ventilation grids with a cover plate the ventilation cross-section must be as least as large as the ventilation grid provided by the manufacturer.

# Custom panel weights

## 6 Custom panel weights

### NOTICE

An excessively heavy custom panel can potentially cause damage!

If the custom panel is too heavy, damage to the hinges cannot be ruled out, which may compromise the functionality of the unit.

- ▶ Before installing the custom panel, ensure the custom panel does not exceed the permissible weight.

Recess height mm (in)	Appliance type	Maximum weight of custom panel kg (lb)
1780 (70 1/16)	IRB5160 IRBP5170 SIF5181 SF5291	26 (57)

*Single-door fridges and freezers*

Recess height mm (in)	Appliance type	Maximum weight of custom panel kg (lb)	
		Fridge compartment door	Freezer compartment door
1780 (70 1/16)	IC5100PC IC5110IMPC IC5110IM ICB5160IM	18 (40)	12 (26)

*Combinations*

## 7 Water connection\*

If your appliance has a fixed water connection, an elbow connector with screen filter is supplied with it.

Requirements for the water pressure:	(see 7.1 Water pressure)
Make the water connection:	(see 14 Connecting the appliance to the water supply*)

### 7.1 Water pressure

The water connection line and solenoid valve of the appliance are suitable for a water pressure of up to 1 MPa (10 bar [145.04 psi]).

To ensure that the appliance functions correctly (flow rate, ice cube size, noise level), maintain the following water pressure:

Water pressure:		
bar	psi	MPa
1.5 to 6.2	21.76 to 87.02	0.15 to 0.62

Water pressure if using the water filter:*		
bar*	psi*	MPa*
2.8 to 6.2	40 to 90	0.28 to 0.62

- If the pressure is higher than 6.2 bar (89.92 psi):
  - ▶ Connect a pressure reducer.
  - ▶ Make the water connection. (see 14 Connecting the appliance to the water supply\*)

## 8 Transporting the appliance

Observe the following when transporting the appliance:

- ▶ Transport the appliance upright.
- ▶ Use two people when transporting the appliance.

**During the first use:**

- ▶ Transport the appliance packaged.

**During appliance transport or at first use (e.g. when moving or cleaning):**

- ▶ Empty the appliance.
- ▶ Secure the door against undesired opening.

## 9 Unpacking the appliance

If the appliance is damaged check with the supplier immediately before connecting it.

- ▶ Check the appliance and packaging for damage during transport. If you suspect any damage, please contact your supplier immediately.
- ▶ Remove all materials that could prevent it from being installed properly or prevent proper ventilation from the back or the side panels of the appliance.
- ▶ Remove all protective films from the appliance. Do not use sharp or pointed objects for this.

## 10 Setting up the appliance



### CAUTION

Risk of injury due to heavy appliance!

- ▶ Have two people transport the appliance to its installation site.



### WARNING

Danger of injury and damage due to the appliance being unstable!

The appliance can tip over.

- ▶ Secure the appliance as described in the instructions.



## WARNING

Danger of fire and damage!

- ▶ Do not place devices that give off heat, e.g. microwaves, toasters, etc. on the appliance.

If possible, have a professional install the appliance in your kitchen cabinet unit.

Do not install the appliance without assistance.

## 10.1 After setup

- ▶ Remove all transport packaging.

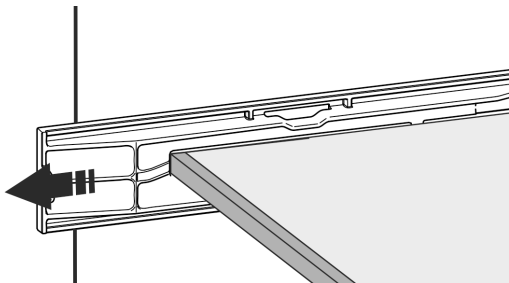
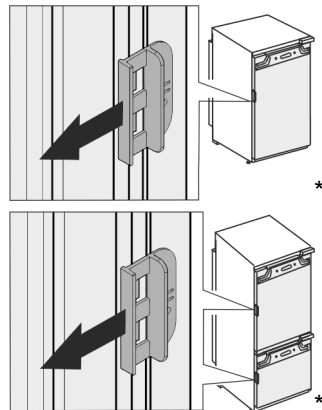


Fig. 5 \*



- ▶ Pull off the transport lock on the appliance door.

- ▶ Clean the appliance (see User Guide, Cleaning the appliance).
- ▶ Write down the type (model, number), appliance name, appliance/serial number, date of purchase and dealer address in the designated fields (see User Guide, About the appliance).

## 11 Disposal of packaging



## WARNING

Danger of suffocation from packaging materials and films!

- ▶ Do not allow children to play with packaging materials.

The packaging is made from recyclable materials:

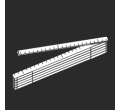

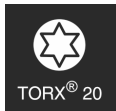











- Corrugated card/cardboard
- Parts made of foamed polystyrene
- Films and bags from polyethylene

- Packing bands from polypropylene
- Wood frame nailed together with a polyethylene window\*
- ▶ Take the packaging material to an official collection point.

## 12 Explanatory symbols used

	There is the risk of injury when doing this! Obey the safety instructions!
	These instructions apply to several models. Only perform this step if it applies to your appliance.
	To install, please follow the detailed description in the Guide.
	This section applies either to a single-door appliance or a double-door appliance.
	Choose one of the options: Appliance with right-hinged door or appliance with left-hinged door.
	Installation step necessary with IceMaker and/or InfinitySpring.
	Loosen or tighten screws slightly.
	Tighten the screws fully.
	Check to see if the next step applies for your model.
	Check the components are in correctly.
	Measure the specified measurement and adjust if necessary.

# Reversing the door

	Installation tool: Meter stick
 	Tool for assembly: Cordless screwdriver and attachments We recommend a longer bit insert to reach the screws better.
	
	Tool for assembly: Spirit level
 SW7 SW10	Tool for assembly: Size 7 and size 10 spanner
	Two people are required for this step.
	This step takes place at the selected location of the appliance.
	Aid for assembly: String
	Aid for assembly: Square
	Aid for assembly: Screwdriver
	Aid for assembly: Scissors
	Aid for assembly: Non-permanent marker pen
	Accessory kit: Remove components



Dispose of components that are no longer needed.

## 13 Reversing the door

### Tool

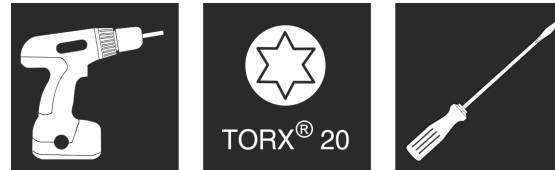


Fig. 6

### NOTICE

Live parts!

Damage to electrical components.

► Pull the power plug before changing the door hinges.

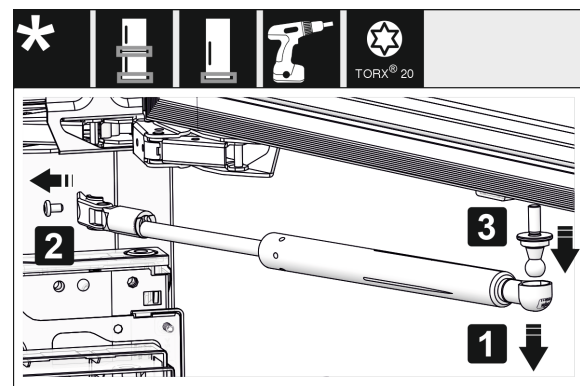


Fig. 7\*

► Removing the soft stop damper: Remove the soft stop damper from the ball stud (1). Unscrew the retainer (2). Remove the ball stud with a screwdriver (3).\*

### Note

If the closing damper is just above the floor, you can only remove the ball pins after the door has been taken off.\*

# Reversing the door

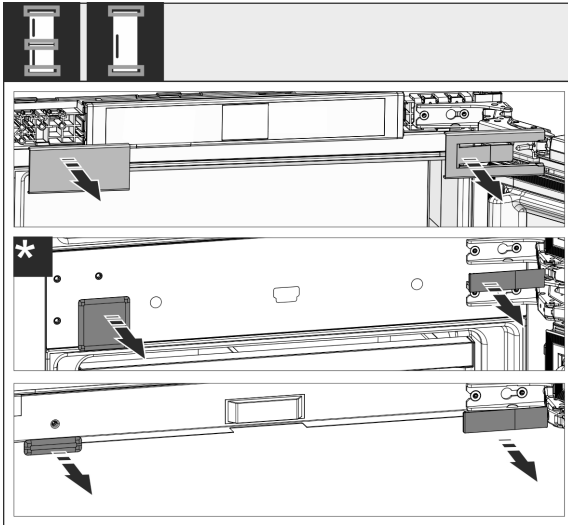


Fig. 8

- Remove covers.

### Note

When removing the covers, make sure that the surface is not scratched.

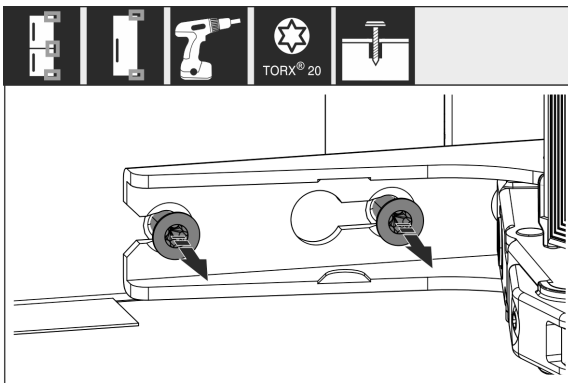


Fig. 9

- Loosen the screws on **all** hinges but do not remove them.

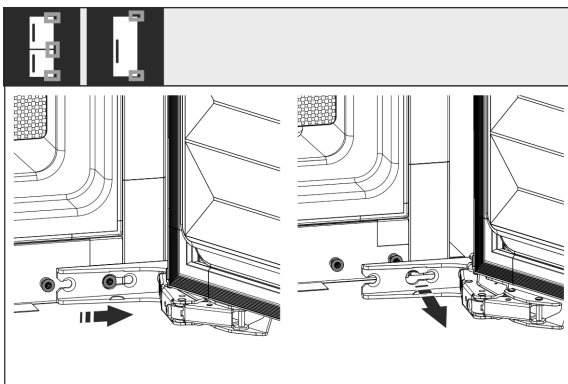


Fig. 10

- Remove the door: Push the door forward and then out, unhook it and put it to one side.

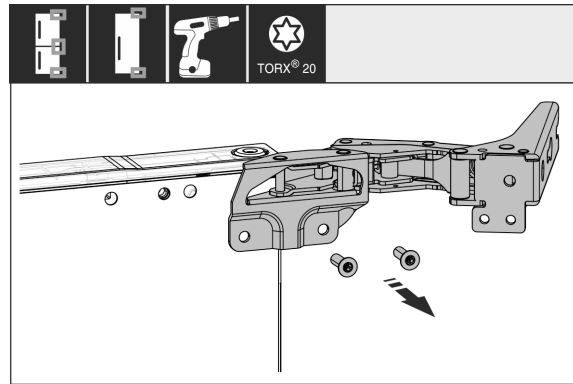


Fig. 11

- Unscrew all hinges and set aside together with the screws.

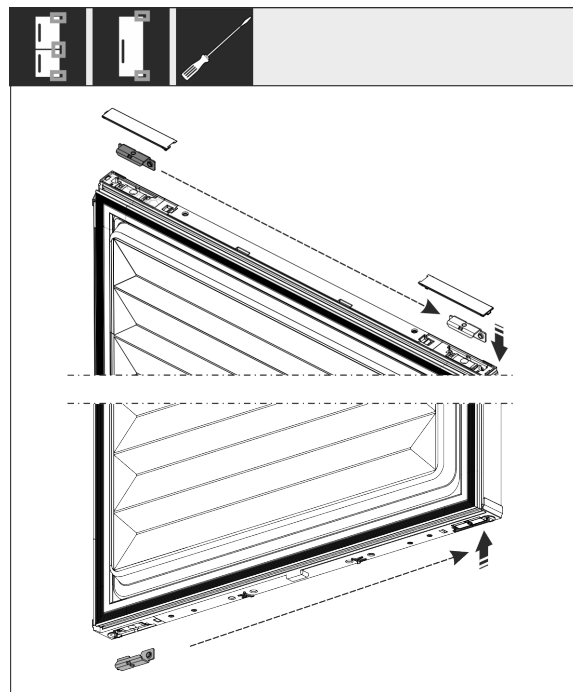


Fig. 12

- Loosen and shift the bracket at the top and bottom of the door. The bracket must be shifted so you can screw on the hinges.

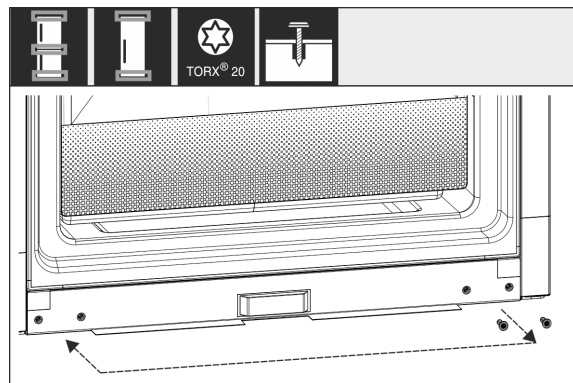


Fig. 13



## Connecting the appliance to the water supply\*

- ▶ Shift the screws to fasten the hinge. Do not screw tightly after shifting – you need to hang the hinges later.

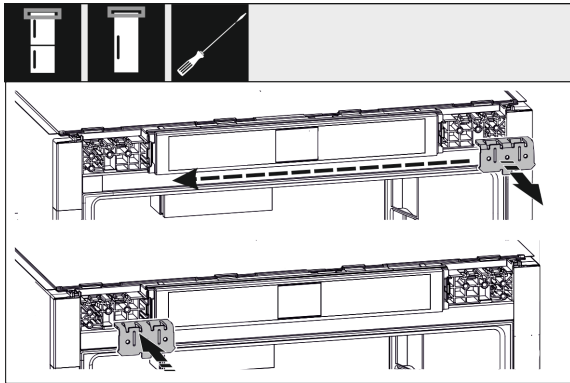


Fig. 14

- ▶ Swap the fixing bracket to the opposite side.

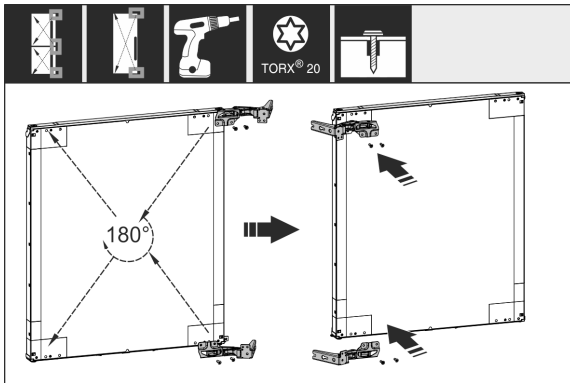


Fig. 15

- ▶ Turn all hinges 180° to the opposite side and screw firmly.

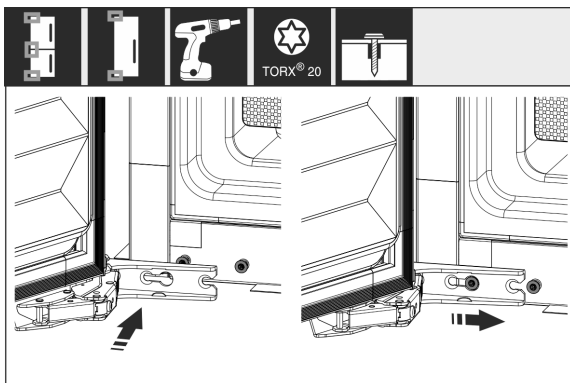


Fig. 16

- ▶ Refitting the door: Hang the door with its hinges and tighten the screws.

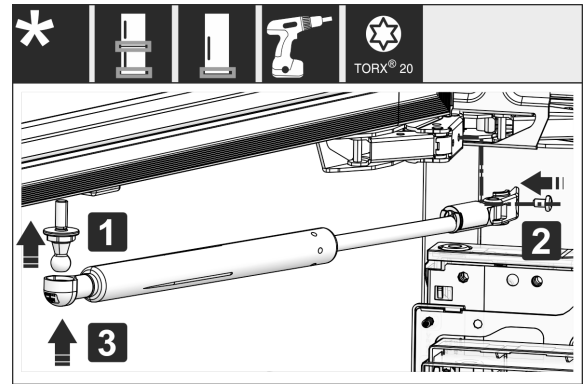


Fig. 17\*

- ▶ Refit the closing dampers: Screw in the ball studs (1), tighten the bracket (2), and hang the closing dampers in the ball studs.\*
- ▶ Check all screws and retighten if necessary.

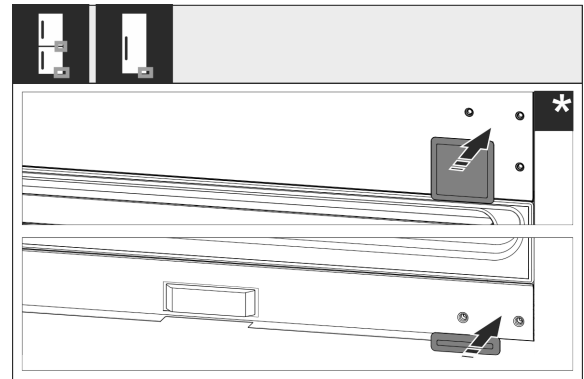


Fig. 18

- ▶ Reassemble the bottom and center cover. Only replace the remaining covers after installing the appliance back into the cabinet.

## 14 Connecting the appliance to the water supply\*

Make sure that the following requirements are fulfilled:

- The dimensions for the water supply connection are known and complied with.
- The correct water pressure is maintained.
- Water is supplied to the appliance via a cold water pipe that can withstand the operating pressure and is connected to the drinking water supply.
- All equipment and devices used for the water supply comply with the applicable regulations in the country of use.
- The back of the appliance is accessible so that you can connect the appliance to the drinking water supply.
- A coupler between the R3/4 connection thread and the 1/4" OD copper pipe is supplied.
- There is a screen filter with a seal in the coupler. The screen filter with a seal is supplied.

# Connecting the appliance to the water supply\*

- ❑ A **1/4" OD copper pipe** is used to connect the water supply to the solenoid valve. **This is not supplied with the appliance.**
- ❑ There is an adaptor between the hose 1/4" OD copper pipe and the domestic water connection so that you can turn off the water supply if necessary.
- ❑ The adaptor is not directly behind the appliance and is easily accessible. This way, you can push the appliance as far as possible into the cabinet recess and can quickly turn off the faucet if necessary.



## WARNING

Risk of electric shock from water!

- ▶ Before connecting to the water hose: Disconnect the appliance from the mains.
- ▶ Before connecting to water lines: Shut off the water supply.
- ▶ Make sure that only qualified personnel connect the device to the drinking water supply.



## WARNING

Risk of poisoning due to contaminated water!

- ▶ Connect to potable water supply only.

## 14.1 Connecting the water pipe

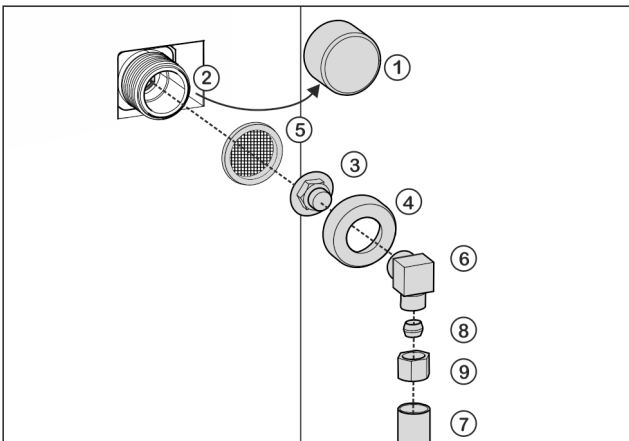


Fig. 19

- |                    |  |
|--------------------|--|
| (1) Cap            | (6) Angle piece                            |
| (2) Solenoid valve | (7) Water pipe (e. g. 1/4" OD copper pipe) |
| (3) Coupler        | (8) Clamp ring                             |
| (4) Union nut      | (9) Nut                                    |
| (5) Screen filter  |  |

## NOTICE

Risk of damage from incorrect installation!

- ▶ Do not damage or kink the water pipe (e. g. copper pipe) during installation.
- ▶ Do not damage or kink the water pipe (e. g. copper pipe) during installation in the cabinet recess.

### Connecting the coupler to the appliance:

- ▶ Remove cap Fig. 19 (1) from solenoid valve Fig. 19 (2).

- ▶ Insert coupler Fig. 19 (3) into union nut Fig. 19 (4).

## NOTICE

The filter can be damaged if not correctly fitted!

- ▶ Observe the following instruction when putting in the filter.

- ▶ Insert the filter Fig. 19 (5) with the recess pointing down towards the coupler Fig. 19 (3).

## NOTICE

The thread can be damaged if the union nut is over-tightened!

- ▶ Observe the following instructions for fitting the union nut on the solenoid valve.

- ▶ Screw the union nut Fig. 19 (4) by hand onto the thread of the solenoid valve Fig. 19 (2) until it is firmly in place.

- ▷ The coupler is connected to the appliance.

### 90° bend in the water connection: Connecting the water hose to the elbow connector:

- ▶ Screw on angle piece Fig. 19 (6).

- ▶ Connect the water pipe Fig. 19 (7) (e. g. 1/4" OD copper pipe) with the clamp ring Fig. 19 (8) and nut Fig. 19 (9) to the elbow connector Fig. 19 (6).

- ▷ The water pipe is connected to the elbow connector.

-or-

### No bend in the water connection: Connecting the water hose to the coupler:

- ▶ If necessary: Fasten the water pipe Fig. 19 (7) to the housing with the guide clip.

- ▶ Put angle piece Fig. 19 (6) to one side.

- ▶ Connect the water pipe Fig. 19 (7) (e. g. 1/4" OD copper pipe) with the clamp ring Fig. 19 (8) and nut Fig. 19 (9) to the coupler Fig. 19 (3).

- ▶ If necessary: Fasten the water pipe Fig. 19 (7) to the housing with the guide clip.

- ▷ The water pipe is connected to the coupler.

### Fitting the adaptor between the water pipe and the water supply:

- ▶ Connect the water pipe (e. g. 1/4" OD copper pipe) to the water supply with a suitable adaptor.

- ▷ The water is connected to the water supply with an adaptor.

## 14.2 Check the water system

Before you completely install the appliance in the cabinet recess, Liebherr recommends checking the water system for leaks.

- ▶ Put in the InfinitySpring water tank. (see 17 Water tank\*) \*

- ▶ Put in the InfinitySpring water filter. (see 18 Water filter\*) \*

- ▶ Slowly turn on the water feed.

- ▶ Check the hose, water feed and connections for leaks.

- ▷ The water system has now been checked for leaks.

- ▷ The water system is not leaking: You can install the appliance completely in the cabinet recess.

# Fit the appliance into the recess

**Note**

**InfinitySpring:** Before the first use, you must put the InfinitySpring into operation. To do this you must bleed and clean the water system. (see Quick Start Guide or operating instructions)\*

**IceMaker:** Before the first use, you must clean the IceMaker. (see Quick Start Guide or operating instructions)\*

## 15 Fit the appliance into the recess

**Tool**

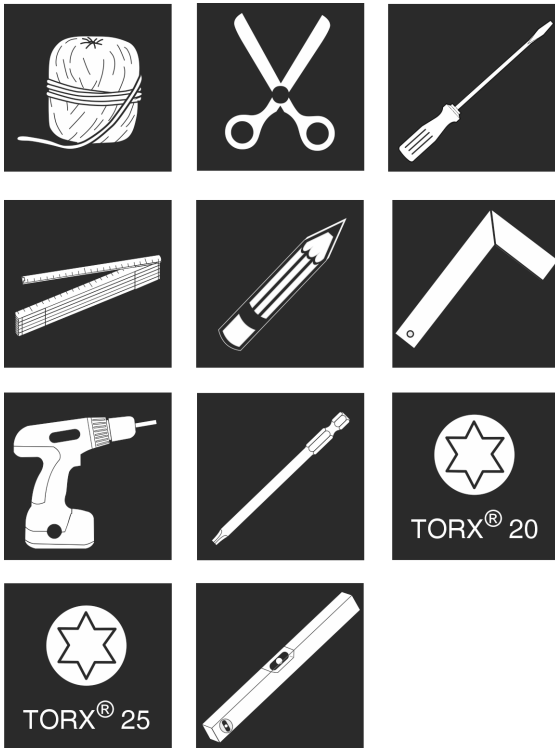


Fig. 20

**Supplied installation parts**

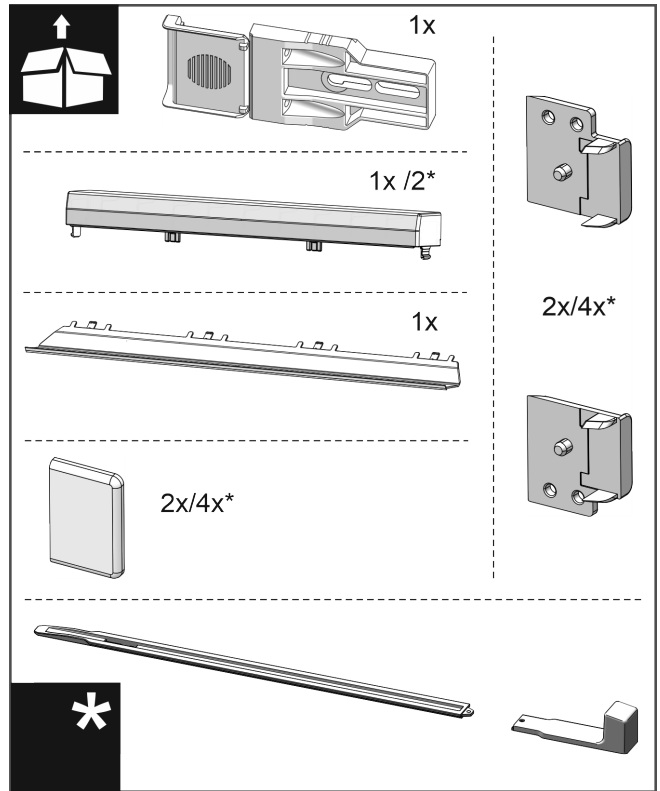


Fig. 21

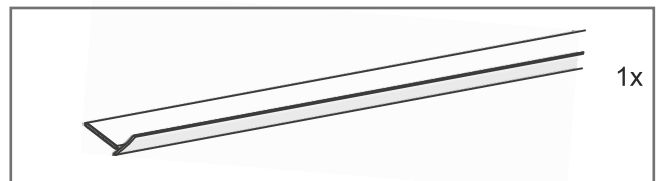


Fig. 22

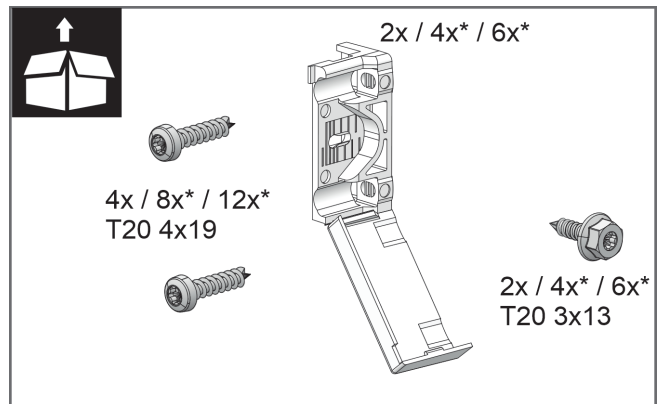


Fig. 23

## Fit the appliance into the recess

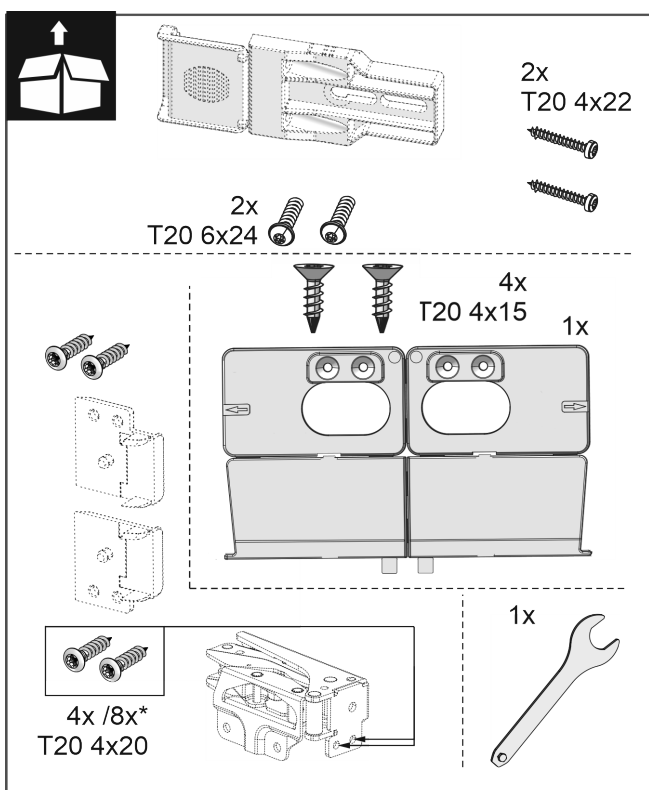


Fig. 24

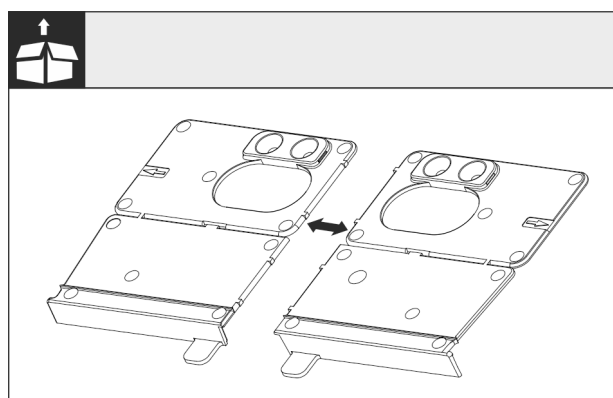


Fig. 25

- Separate the floor mounting bracket at the perforation.

### NOTICE

Correct installation depth of the appliance.

- Using the mounting bracket ensures the correct installation depth of the appliance.

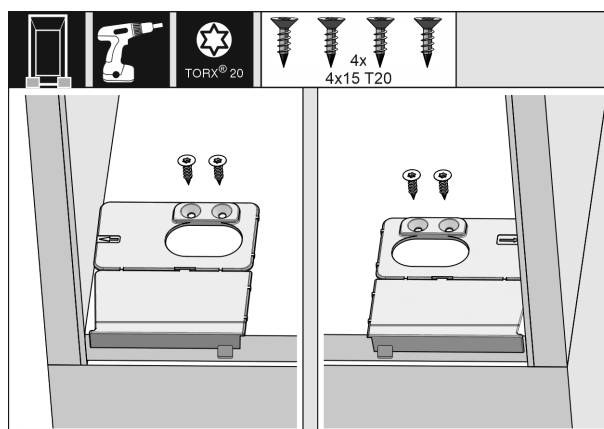


Fig. 26

- Screw the mounting brackets on the left and right of the recess floor, flush to the side wall.

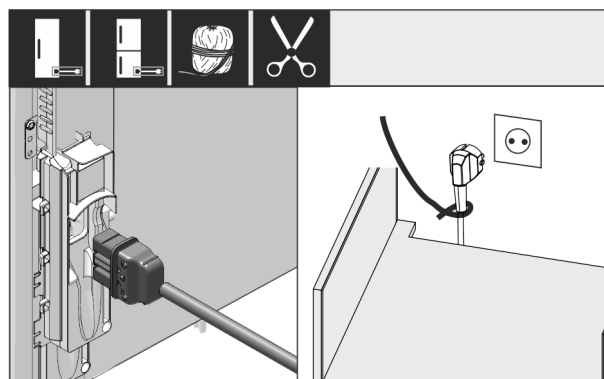


Fig. 27

- Remove the power cable from the enclosed package.
- Fully insert the IEC socket of the power cable completely into the appliance plug on the rear side of the appliance. Ensure the IEC socket is firmly in place.
- Use a string to route the power plug to a socket outlet that is freely accessible.

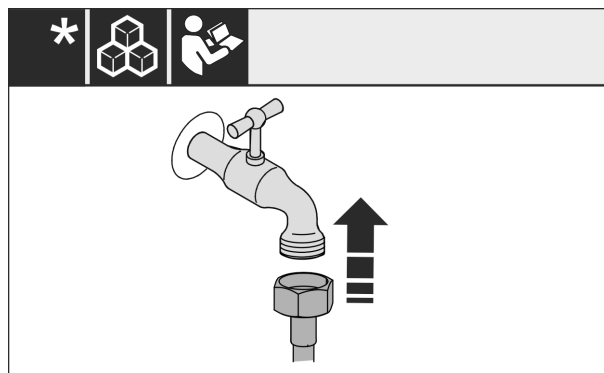


Fig. 28 \*

- If necessary, install the water connection at this point, following the instructions in the User Guide.\*

## Fit the appliance into the recess

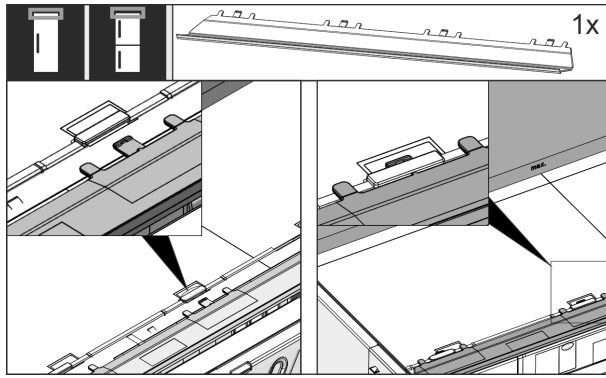


Fig. 29

- Fit the adapter panel on the top of the appliance. The panel can be moved to both sides.

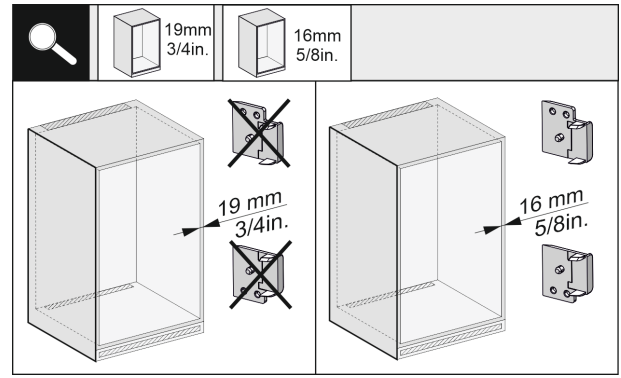


Fig. 32

- Check whether the unit side wall is 16 mm (5/8 in) or 19 mm (3/4 in) thick.

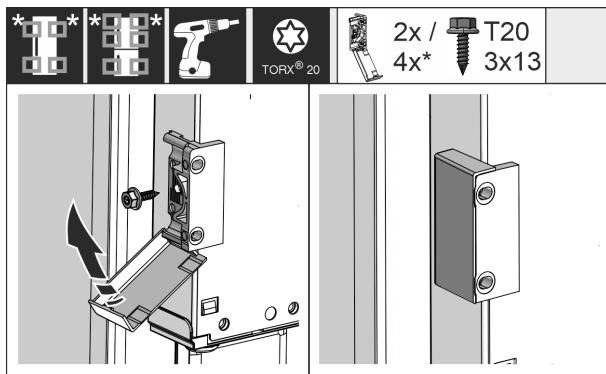


Fig. 30

- Fit the mounting bracket. Attach the mounting bracket at the height of the custom door panel handles. For a large door, use four mounting brackets.
- After assembly, fold the covers onto the bracket.

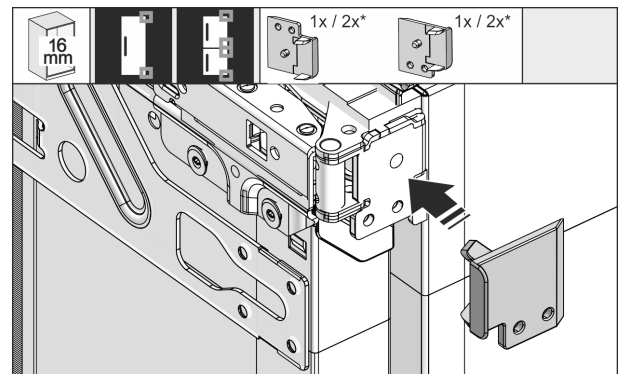


Fig. 33

- 16 mm (5/8 in) thick unit side walls: Put a spacer on all hinges.
- 19 mm (3/4 in) thick unit side walls: You do not need a spacer.

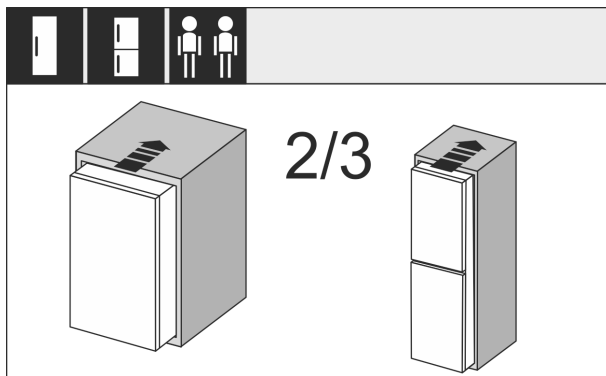


Fig. 31

- Slide the appliance 2/3 of the way into the cabinet recess.

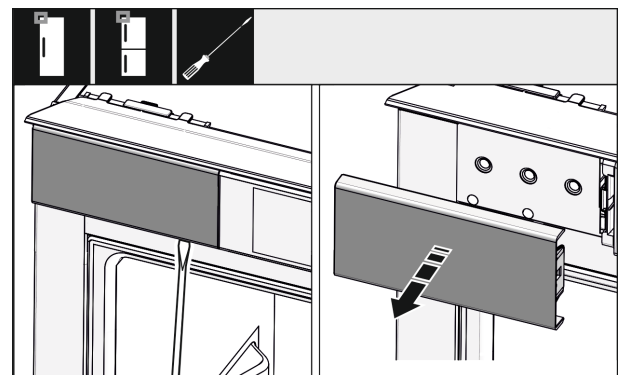


Fig. 34

- Use a screwdriver to loosen the cover at the top left and then remove it.



## Fit the appliance into the recess

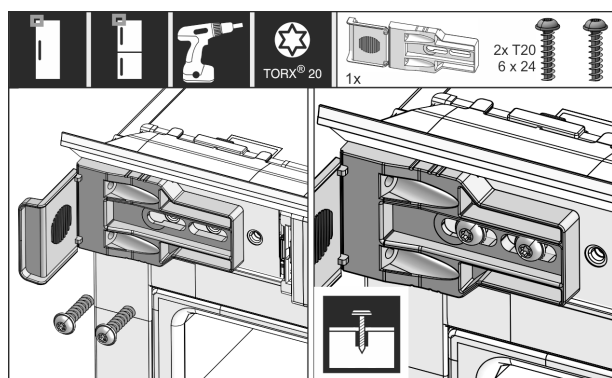


Fig. 35

- Loosely screw on the mounting bracket. The bracket should still be easy to move.

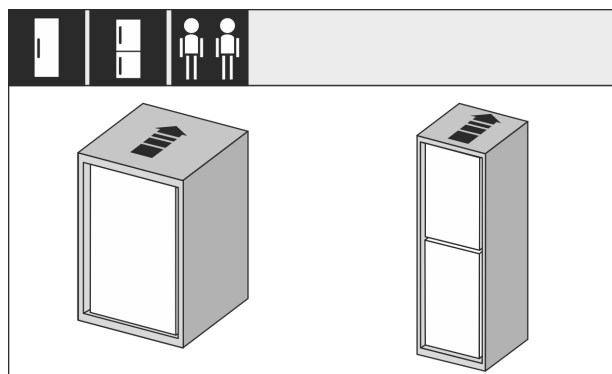


Fig. 36

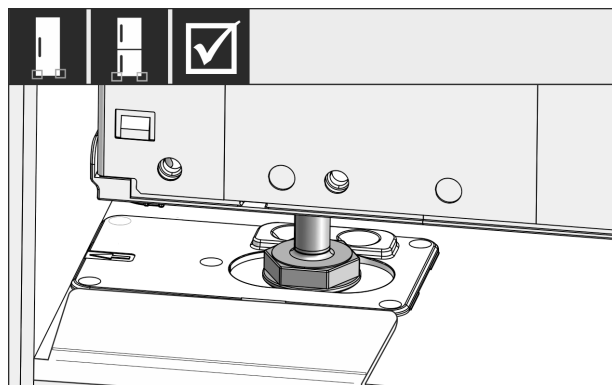


Fig. 37

### **WARNING**

Risk of fire from short circuit!

- If you are pushing the appliance into the recess: Do not kink, trap, or damage the power cable.
  - Do not operate the appliance with a defective power cable.
- 
- Push the appliance all the way into the unit recess. The adjustable feet must rest in the recesses in the brackets on both sides.

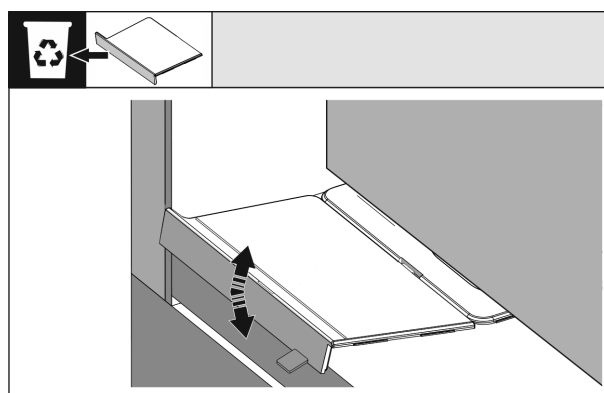


Fig. 38

- Remove the floor mounting bracket stopper. Loosen the stopper by moving it and, if necessary, pull it off with the help of pliers.

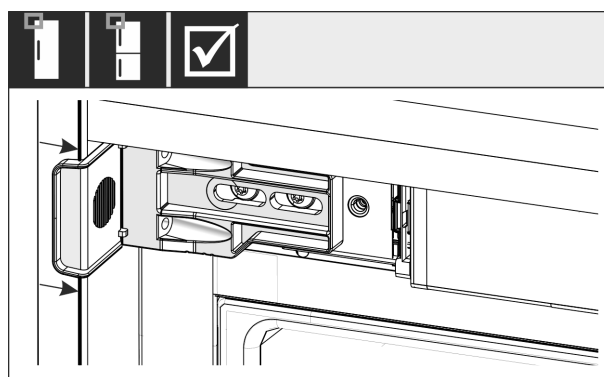


Fig. 39

- Check that the appliance is flush in the cabinet recess. The mounting bracket must be attached to the side wall of the cabinet recess.

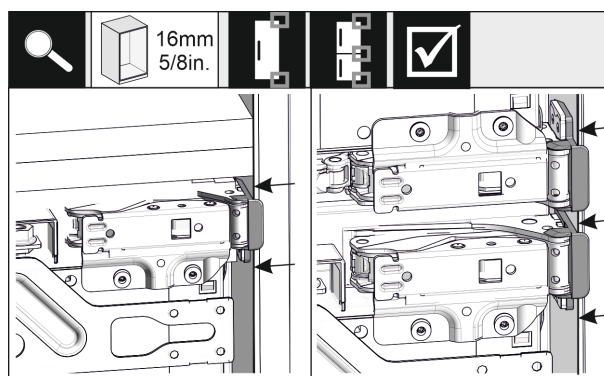


Fig. 40

### **Note**

With 16 mm (5/8 in) unit side walls, the spacers fit against the unit recess on the hinge side.

# Fit the appliance into the recess

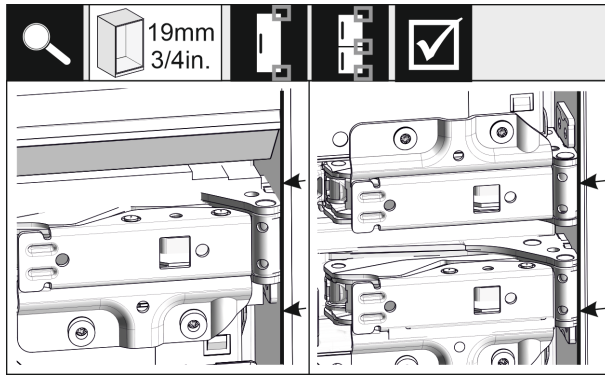


Fig. 41

- ▶ 19 mm (3/4 in) thick unit side walls: Align the front of the hinges flush with the unit side wall.

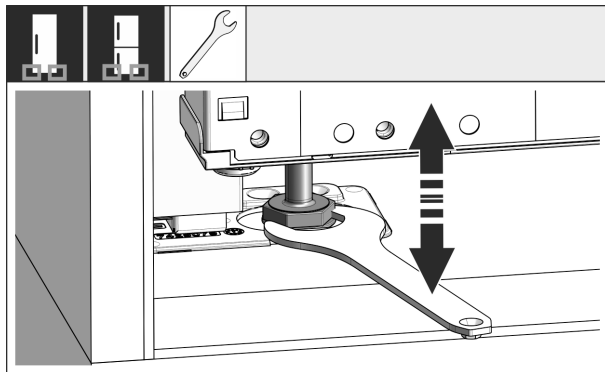


Fig. 42

- ▶ If necessary, level the appliance using the adjusting feet.

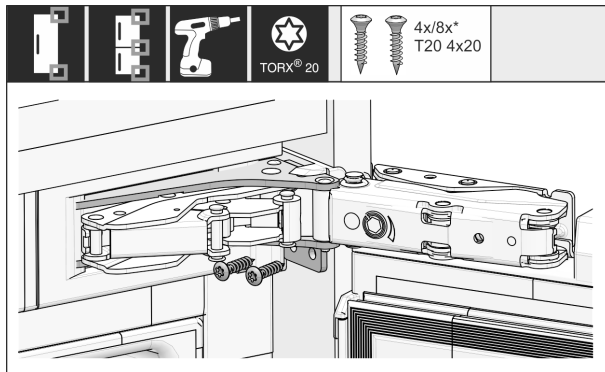


Fig. 43

- ▶ Screw on the appliance on the hinge side.

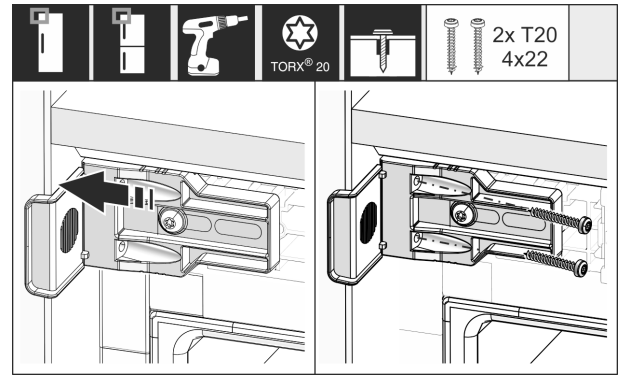


Fig. 44

- ▶ Move the bracket so it sits flush on the side wall of the cabinet recess.
- ▶ Tighten all the screws securely.

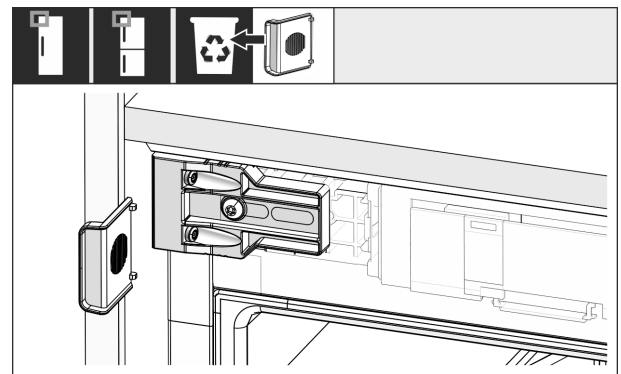


Fig. 45

- ▶ Remove the stop from the bracket on the handle side and dispose of it.

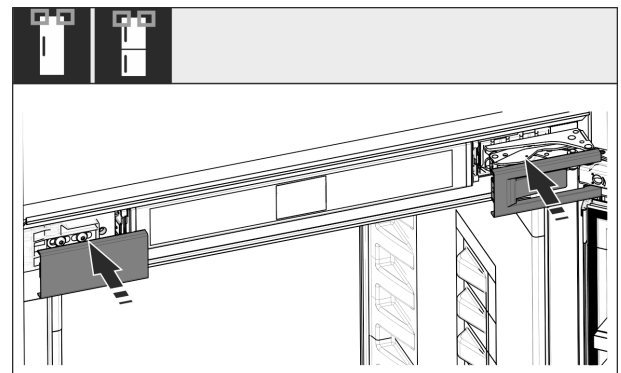


Fig. 46

- ▶ Place the cover.

## Fit the appliance into the recess

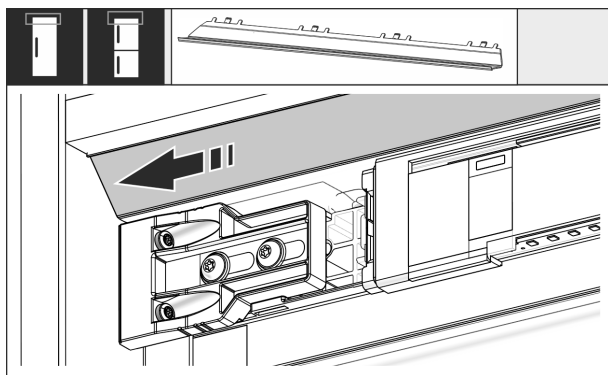


Fig. 47

- ▶ Slide the panel so that it sits flush with the side of the cabinet wall.

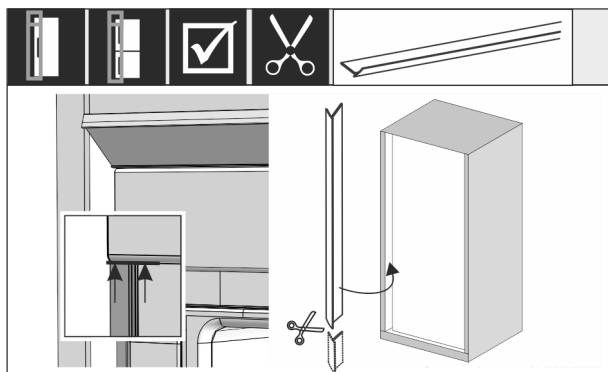


Fig. 48

- ▶ If necessary: Shorten the sealing strip as necessary with a sharp pair of scissors.
- ▶ Position the sealing strip below the top cover and press it in. The sealing strip is magnetic.

**Install leveling rails if the recess height is greater than 1400 mm (55 1/8 in):**



Fig. 49

You must install leveling rails underneath the appliance for any recess height that is greater than 1400 mm (55 1/8 in). The leveling rails **minimize the sound level**. Two leveling rails and a mounting handle are included in the enclosed package as standard for recess heights above 1400 mm (55 1/8 in).

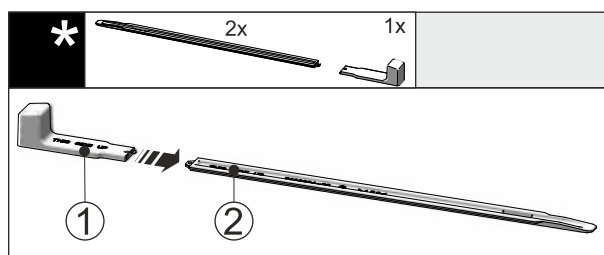


Fig. 50

- ▶ Insert the mounting handle Fig. 50 (1) into the leveling rail Fig. 50 (2).

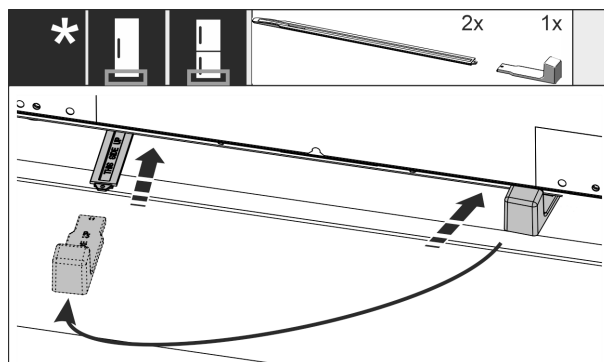


Fig. 51

- ▶ Insert the leveling rail into the guide underneath the appliance floor until it reaches the stop.
- ▶ Pull off the mounting handle and insert it into the second leveling rail.
- ▶ Proceed in the same manner with the second leveling rail.

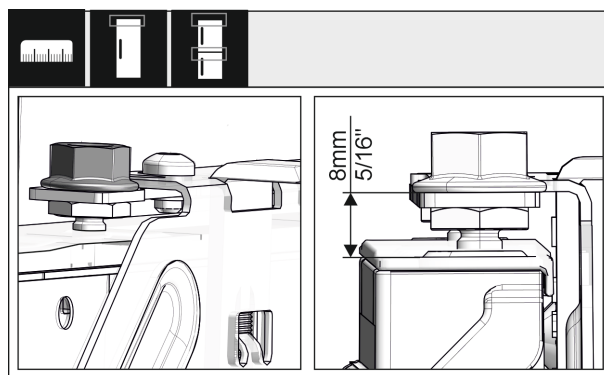


Fig. 52

- ▶ Close the door.
- ▶ Check the preset of 8 mm (5/16 in) from the upper edge of the appliance door to the crosspiece support.

# Fit the appliance into the recess

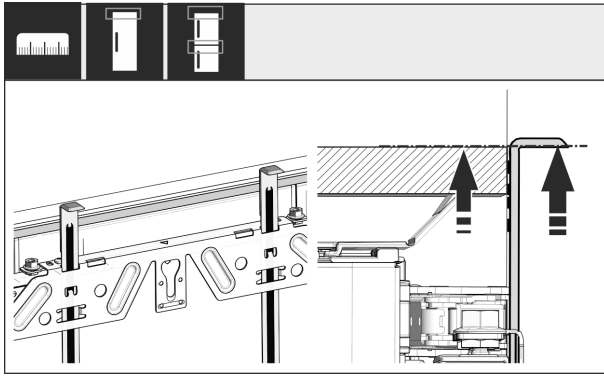


Fig. 53

- Push up mounting aids to the height of the cabinet door. Bottom stop edge of the fitting aid = top edge of the door to be fitted.

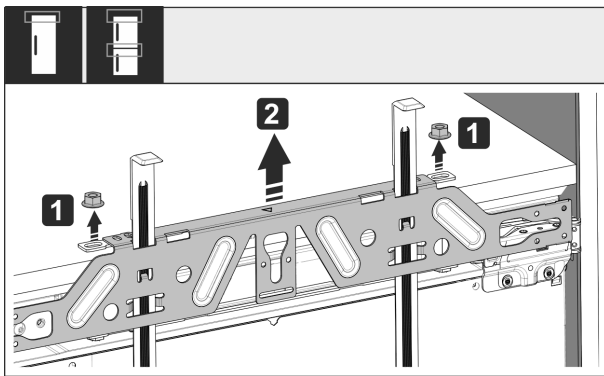


Fig. 54

- Loosen locknuts Fig. 54 (1).
- Remove crosspiece Fig. 54 (2).

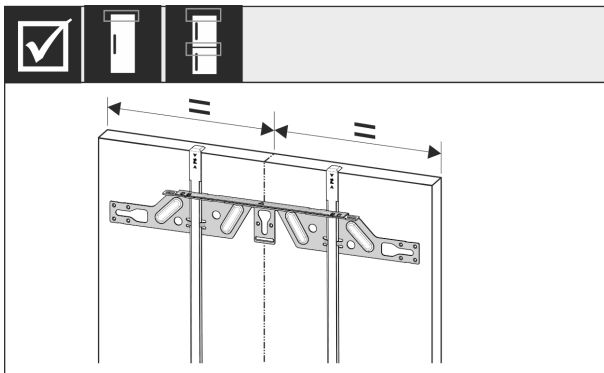


Fig. 55

- Center-align the crosspiece on the inside of the cabinet door.

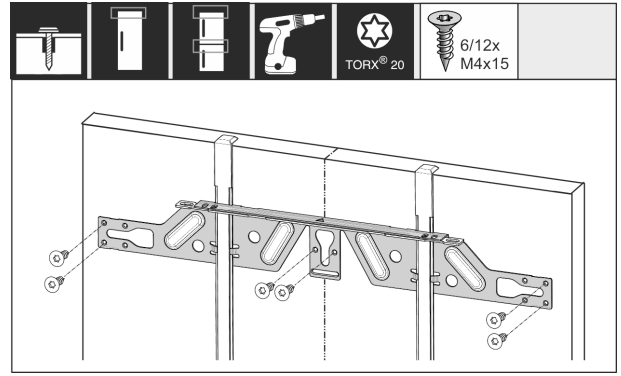


Fig. 56

- Fix the crosspiece using at least 6 screws for chip-board doors and at least 4 screws for panel doors.

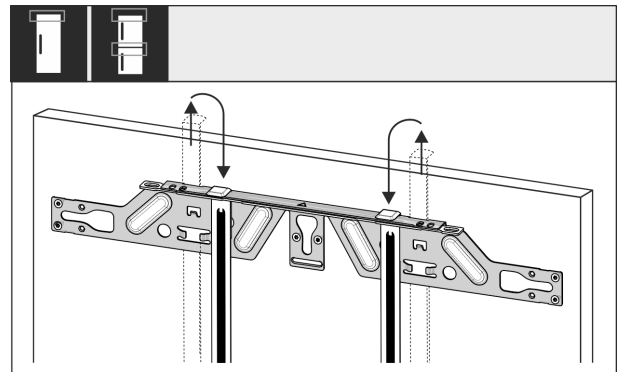


Fig. 57

- Remove the fitting aids, turn round and insert into the adjacent opening.

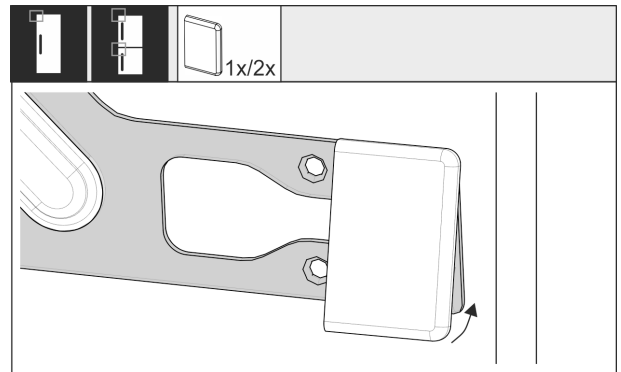


Fig. 58

- Put the cover on the crosspiece on the handle side.

## Fit the appliance into the recess

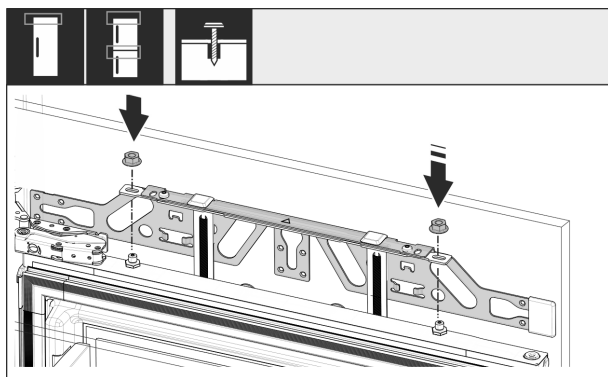


Fig. 59

- ▶ Attach the custom panel and loosely screw the lock nuts onto the adjusting bolts.

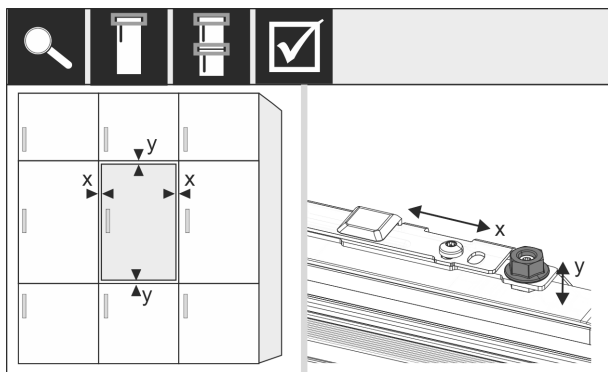


Fig. 60

- ▶ Align the custom panel in the X and Y direction using the adjusting bolts.

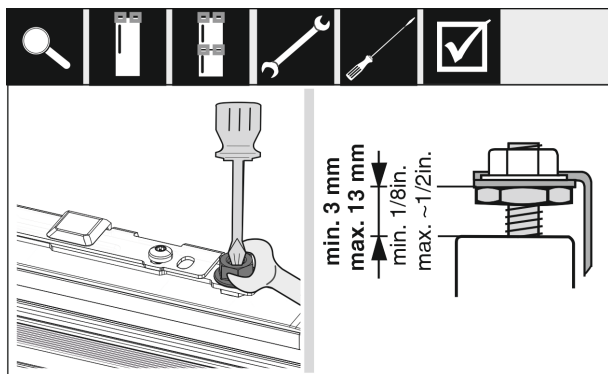


Fig. 61

- ▶ Tighten the lock nuts.
- ▶ Check the adjusted height.

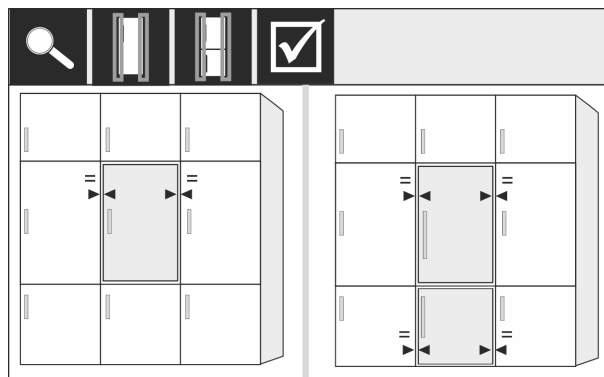


Fig. 62

- For front panels thicker than 19 mm (3/4 in):
- ▶ Check the dimensions, weights and information in the following sections: (see 6 Custom panel weights) (see 16 Cabinet fronts)

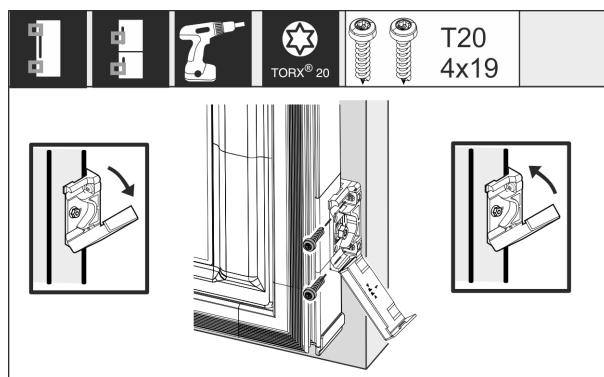


Fig. 63

- Mounting the fastening bracket on the custom panel:
- ▶ Open the cover.
  - ▶ Mounting the fastening bracket on the custom panel:
  - ▶ Align the front edge of the mounting bracket parallel with the custom door panel edge and screw the bracket down tightly.
- Mounting the fastening bracket on the custom panel:
- ▶ Fold up the cover.

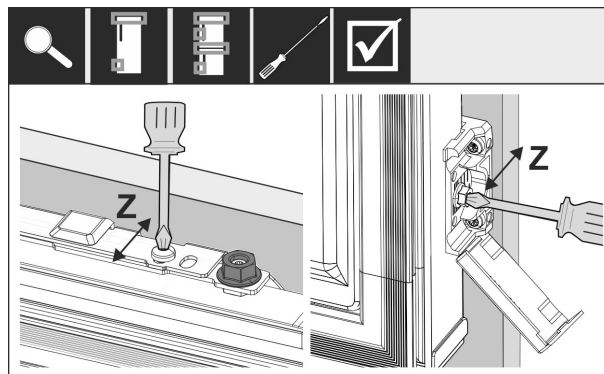


Fig. 64

- Align the unit door in the Z direction:
- ▶ Loosen the adjusting screw on the crosspiece and the screw on the mounting bracket.
  - ▶ Move the door.



# Cabinet fronts

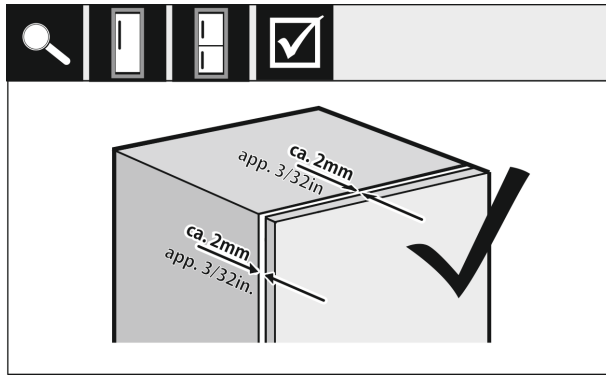


Fig. 65

- ▶ Check the gap between the custom panel and the unit body.
- ▶ Check all the screws and tighten them if necessary.

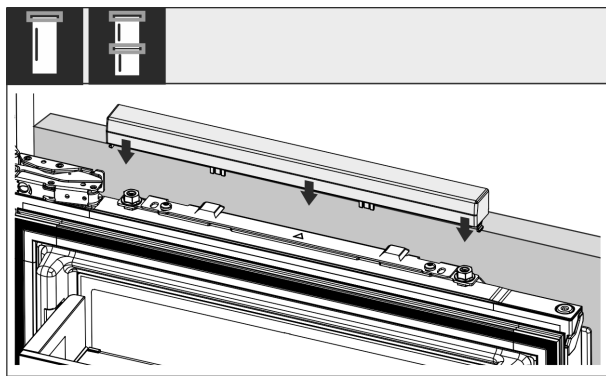


Fig. 66

- ▶ Put on the top cover.

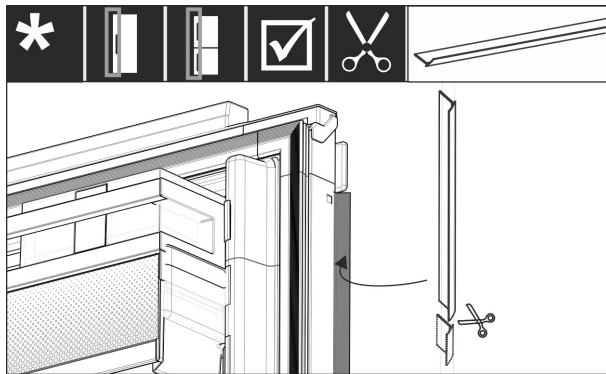


Fig. 67

- ▶ Cut the sealing strip to the required length.
- ▶ Insert the sealing strip between the front panel and the appliance door.

To make sure the appliance is correctly installed and there will not be any icing up, condensation or malfunctions, the following criteria apply:

- The door must close properly.
- The custom door panel must not touch the body of the unit.
- The seal on the upper corner on the handle side must be fitted securely.
- ▶ Check recess installation according to the criteria above.

## 16 Cabinet fronts

### 16.1 Dimensions

Depending on your model, you will need one or two cabinet doors. The size of the cabinet door(s) depends on the overall recess size and cabinet unit thickness.

#### Note

Observe the corresponding appliance and niche dimensions as well as the installation sketches .

#### General requirements:

- Please note our recommendations for the specific appliance relating to size and weight for fixed door installation (see 6 Custom panel weights) .
- The body of the unit should be at least 16 mm (5/8 in) thick but not more than 19 mm (3/4 in).
- When mounting a 2-door cabinet door, observe the recommended clearance.\*

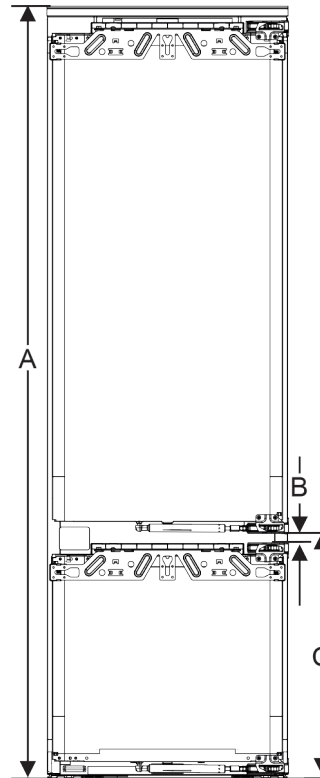


Fig. 68 Clearances for a 2-door cabinet door\*

Recess height 178-2 drawers			
Appliance height (mm ( in))	height (A)		1770 (69 11/16)
Distance (B) (mm ( in))			15 (5/8)
Clearance (C) door-on-door (mm ( in))			549 + 15 (21 5/8 + 5/8)

Recess height 178-3 drawers		
Appliance height (mm (in))	(A)	1770 (69 11/16)
Distance (B) (mm (in))		15 (5/8)
Clearance (C) door-on-door (mm (in))		695 + 15 (27 3/8 + 5/8)

### Other cabinet door above, below or next to it:

- The vertical gap between custom panels must be 4 mm (1/8 in).
- The horizontal gap between custom panels must be 4 mm (1/8 in). Check the risk of them clashing here. (see 16.3 Setting the clearance to avoid collision)

### Weight and hinges:

- For heavy cabinet fronts, the hinge is subject to a heavy load. The hinge may be damaged. Here, observe the maximum weight specifications for your appliance in the cabinet front weights chapter (see 6 Custom panel weights).
- If the cabinet front exceeds the maximum permitted weight, an appliance with door-tracking device can help by loading the weight over several concealed hinges on the cabinet.
- If you use long unit fronts that protrude far above the appliances, we recommend an additional door hinge (e.g. Kamat), which must have the same pivot point as the fixed door hinge used with your appliance. By using another hinge (Kamat), the weight is shared over several points. The use of a milled compensating fastening is recommended for high unit fronts to counteract warping (convex/concave).

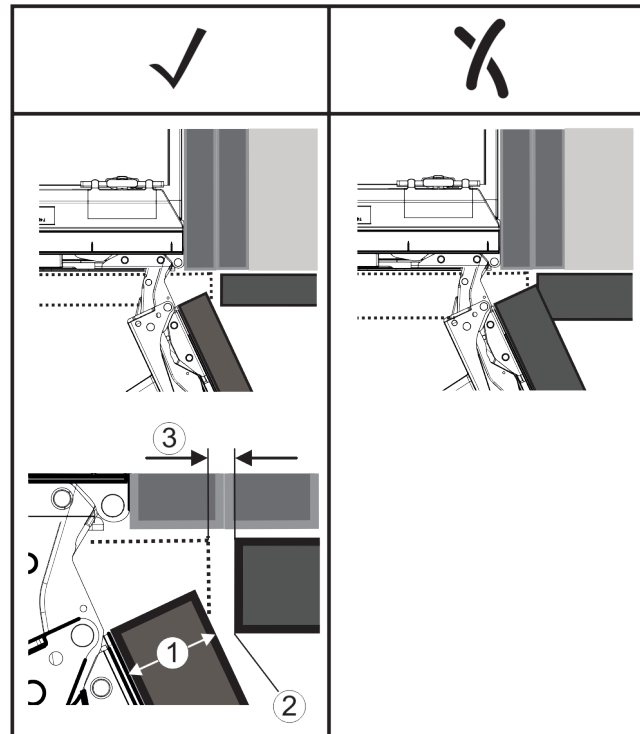


Fig. 69

**(1)** Front thickness (FD)      **(3)** Clearance size (S)  
**(2)** Edge radius (R)

FD (1) (in)	R (2) = 0 in		R = 1/16 in		R = 5/64 in		R = 1/8 in	
	G <sub>min</sub>	G <sub>max</sub>	G <sub>min</sub>	G <sub>max</sub>	G <sub>min</sub>	G <sub>max</sub>	G <sub>min</sub>	G <sub>max</sub>
5/8	0	1/16	0	0	0	0	0	0
3/4	0	1/8	0	1/16	0	1/8	0	1/16
13/16	1/8	3/16	1/16	1/8	1/16	1/8	1/16	1/8
7/8	1/8	1/4	1/8	1/4	1/8	3/16	1/16	3/16
15/16	1/4	5/16	3/16	5/16	3/16	5/16	3/16	1/4
1	5/16	7/16	1/4	3/8	1/8	3/8	1/4	3/8

Fig. 70 Table of min./max. clearances

G<sub>min</sub> = min. clearance in inches

G<sub>max</sub> = max. clearance in inches

### Note

When making adjustments, always make sure that the cabinet front suits the general appearance.

### Check the collision factors and adjust them accordingly:

- ▶ Determine the front thickness and edge radius.
- ▶ Refer to the table for the min./max. clearance dimensions.
- ▶ Check the clearance size against the table.
- ▶ Do one of the following depending on the measured clearance size.

Clearance size	Description
$S > G_{max}$	If the clearance size is greater than the two limits, you do not need to make any adjustments.

## 16.2 Mounting the cabinet front(s)

### When installing, note:

- Cabinet front must be installed symmetrically to the refrigerator door.
- Adjoining cabinet front is exactly level.
- Adjoining cabinet front has the same edge radius as the front of the appliance.
- Cabinet front is flat and tension-free.
- The front panel has a minimum depth setting of approx. 2 mm (1/16 in) to the body.
- ▶ Install the appliance in the recess. (see 15 Fit the appliance into the recess)
- ▶ Fasten the front panel to the appliance door. (see 15 Fit the appliance into the recess)
- ▶ Check that the front panel can close unobstructed. (see 16.3 Setting the clearance to avoid collision)

## 16.3 Setting the clearance to avoid collision

After installing the cabinet front(s), check that the cabinet fronts do not collide.

## Water tank\*

Clearance size	Description
$S < G_{\min}$	If the clearance size is below the limits, you must increase it. Another option is to increase the edge radius.
$G_{\min} \leq S \leq G_{\max}$	If the clearance is between the two limits, you have to be careful. This will quickly lead to collisions.

- Replace the water filter at least every 6 months under the specified usage conditions or if the flow rate drops significantly.
- The water filter contains carbon and can be disposed of with the regular household waste.

### Note

The water filter can be purchased from the Liebherr Service Center. The address for your respective country can be found on the back of the instructions.

## 17 Water tank\*

Depending on your model, the InfinitySpring water tank is behind the lowest drawer in the fridge or BioFresh compartment\*

### 17.1 Inserting the water tank

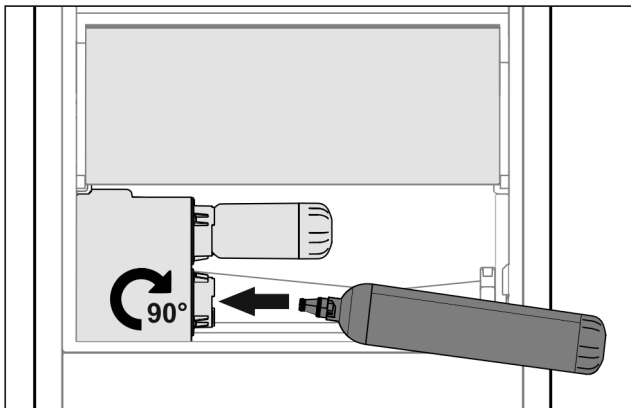


Fig. 71

- ▶ Remove the drawer.
- ▶ Insert the water tank and turn approx. 90° to the right until it engages.
- ▶ Check that the water tank is sealed and no water leaks out.
- ▶ Insert the drawer.
- ▶ Vent the water system. (see Quick Start Guide or User Instructions)

Instead of the water filter, you can use an additional water tank.\*

### Note

The water tank is available as a spare part.

## 18.1 Installing the water filter

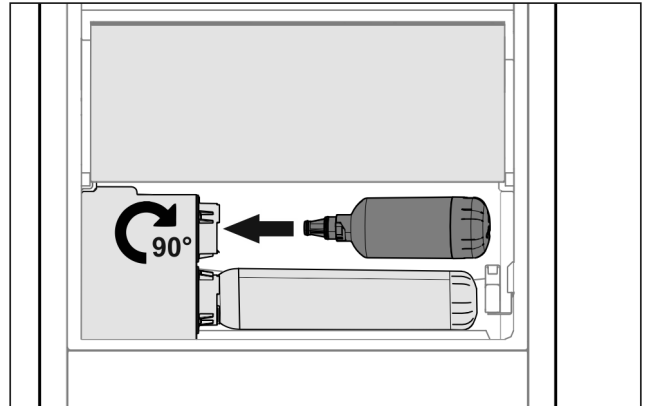


Fig. 72

Make sure that the following conditions are met:

- Water pressure is maintained. (see 7 Water connection\*)
- ▶ Remove the drawer.
- ▶ Insert the water filter and turn clockwise approx. 90° until it engages.
- ▶ Make sure the filter does not leak and no water is coming out.
- ▶ Insert the drawer.



### CAUTION

Risk of infection due to potential suspended matter in new water filters!\*

Nausea and vomiting.

- ▶ After changing the filter: Draw and dispose of 3 l (3 qt) water at the InfinitySpring.

- ▷ The water filter is now ready for use.

## 18 Water filter\*

Depending on your model, the water filter is behind the lowest drawer in the fridge or BioFresh compartment.\*

It absorbs deposits in the water and reduces the taste of chlorine.

## 19 Connecting the appliance to the power supply



### WARNING

Danger of electric shock and injury due to damaged appliance or damaged mains cable!

Cuts and fatal injury. If the appliance or the mains cable is damaged during transport, you may be electrocuted. You could also cut yourself on damaged parts of the appliance housing.

- ▶ Check the appliance and the mains cable for damage after transport.
- ▶ Never put the appliance into operation if the appliance or the mains cable are damaged.
- ▶ Contact Customer Service.

You can connect your appliance to the mains using the power cable supplied separately. The mains power cable has an appliance coupler at one end and a mains plug at the other end.

Make sure that the following requirements are fulfilled:

- The appliance and power cable are undamaged.
- The appliance is installed in accordance with the regulations. (see 15 Fit the appliance into the recess)
- Requirements for the electrical connection are met. (see 2 Setup conditions)
- Dimensions for connection in accordance with regulations are known and observed.
- Mains voltage and frequency correspond to the specifications on the type plate.
- The socket is grounded and fused in accordance with regulations.
- The tripping current for the fuse is between 10 A and 16 A.
- Outlet is easily accessible and is not behind the appliance. (see 4 Recess dimensions)

### NOTICE

Danger of damage to incorrect operation!

Damage to the electrical components of the appliance.

- ▶ Only use the supplied power cable.



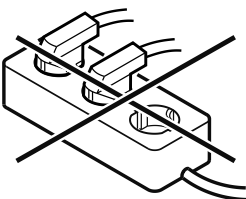
### WARNING

Danger of fire due to incorrect connection!

Burns.

Damage to the appliance.

- ▶ Do not use an extension cord.
- ▶ Do not use a multipoint connector strip.



### NOTICE

Danger of damage to incorrect connection!

Damage to the appliance.

- ▶ Do not connect the appliance to a stand-alone inverter, e.g. solar power systems and petrol generators.

- ▶ Connect the mains plug of the power cable to the power supply.

- ▷ The Liebherr logo appears in the display.
- ▷ The display switches to the standby symbol.
- ▷ If no action is taken within 60 seconds: Standby symbol fades or disappears.
- ▷ Appliance is connected. For initial commissioning, see the next chapter or the operating instructions.



[home.liebherr.com/fridge-manuals](https://home.liebherr.com/fridge-manuals)

**EN** Refrigerators and freezers for integrated use, door-on-door

Issue date: 20241114

**Part number index: 7088414-00**

For Service in the U.S.: Liebherr Service Center  
Toll Free: 1-866-LIEBHER or 1-866-543-2437  
Service-appliances.us@liebherr.com  
PlusOne Solutions, Inc.  
3501 Quadrangle Blvd, Suite 120  
Orlando, FL 32817

For Service in Canada: Liebherr Service Center  
Toll Free: 1-888-LIEBHER or 1-888-543-2437  
www.euro-parts.ca  
EURO-PARTS CANADA  
39822 Belgrave Road, Belgrave, Ontario, N0G 1E0  
Phone: (519) 357-3320 | Fax: (519) 357-1326