

# WU 4500

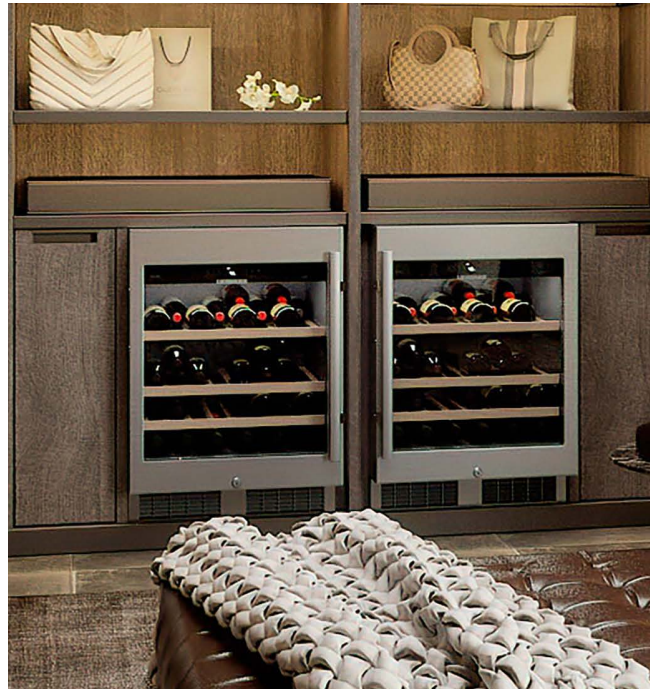
Wine Cabinets

# LIEBHERR

## Refrigeration and Freezing



home.liebherr.com



### WU 4500

Energy consumption (kWh / y)	165
Sound rating dB(A)	39
Total capacity cu.ft. (l)	3.9 (110)
Max. No. of Bordeaux bottles (0.75l)	46
Number of shelves	4
Shelves on telescopic rails	3
Self material	Beech wood
Presentation shelf	No
Electronic control	Touch electronic
Temperature range °F (°C)	41 to 68°F (5 to 20°C)
Temperature zones	1
Temperature alarm	Yes
Interior light	LED interior lighting
Door alarm	Acoustic
Safety thermostat	Yes
Activated charcoal filter	Yes
Door type	Glass door with stainless steel frame
Door hinges	Right, reversible
SoftSystem	No
Door lock	Yes
<b>Product dimensions</b>	
in inch (H / W / D)	32 1/4 / 23 9/16 / 22 3/4
in cm (H / W / D)	81.8 / 59.7 / 57.7
<b>Cut out dimensions</b>	
in inch (H / W / D)	32 5/16 - 34 5/16 / 23 5/8 / 22 7/8
in cm (H / W / D)	82-87 / 60 / 58
Net weight lbs. (kg)	99.2 (45)
Voltage V / Hz	115/60

### Accessories

FreshAir charcoal filter	7434557
SBS kit	9902272
Overlay kit	9590131

### Features

#### Wine

Wine storage cabinets provide similar conditions to wine cellars. A constant temperature prevails throughout the interior in these appliances. It can be set to between 41° to 68° F (5° to 20°C) as required. Wine storage cabinets are ideal for the long-term storage and maturing of wines.

#### LED

LED lighting is energy efficient, long-lasting, and maintenance-free. It illuminates the refrigerator to ensure that your foods are visible.

#### Telescopic Rails

Telescopic rails a self-closing system for shelves ensures easy and convenient handling.

#### ADA Compliant

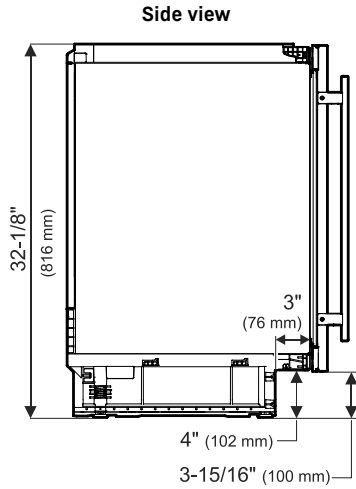
ADA compliant, designed to fit under counter heights between 32" and 34".

\*\* Noise output – according to EN 60704-3

Not recommended for installation or use at altitude greater than 5000 feet above sea level.

# Diagrams

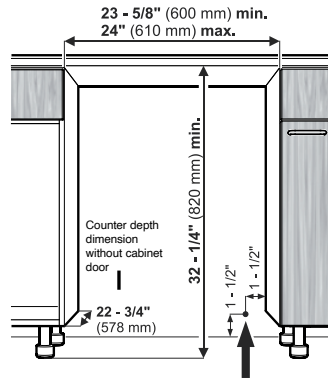
## Appliance and Cabinet Dimensions



**Height when adjustable feet have been screwed in as far as they will go**

Delivery status = feet approx. 1/8" unscrewed.

**Maximum height adjustment = 2" (51 mm) to allow for a 6" (153 mm) toe kick.**

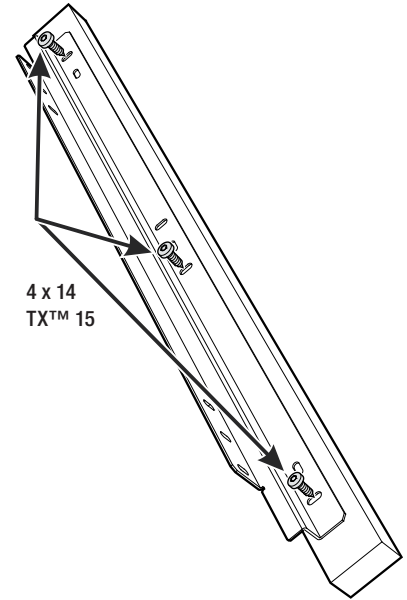


The power cord exits the rear of the appliance at this location.

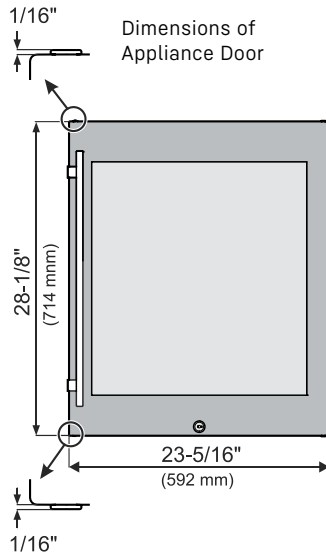
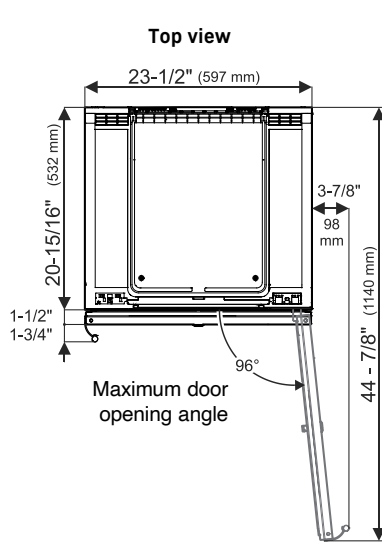
Free length of the power cord = 78 - 3/4 inch (2000 mm)

**IMPORTANT**  
The electrical outlet must not be situated behind the appliance and must be easily accessible.

## Mounting the panel onto the angle bracket



Mount the panel onto the angle bracket using three 4 x 14 screws.



### IMPORTANT

The floor on which the appliance stands must be horizontal and level. The kitchen units must be aligned horizontally and vertically.

## Appliance Venting

The appliance ventilation is in the toe kick. To adjust your wine unit to the counter height, an adjustable toe kick is included.

Height can be adjusted from 4 to 6 1/2".

