



## Installation Guide

Quality, Design and Innovation



[home.liebherr.com/fridge-manuals](http://home.liebherr.com/fridge-manuals)




# LIEBHERR


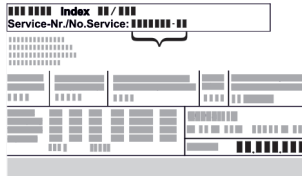
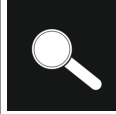



# General safety instructions

## Contents

|           |                                                         |           |
|-----------|---------------------------------------------------------|-----------|
| <b>1</b>  | <b>General safety instructions.....</b>                 | <b>2</b>  |
| <b>2</b>  | <b>Installation conditions.....</b>                     | <b>3</b>  |
| 2.1       | Location.....                                           | 3         |
| 2.2       | Installing multiple appliances.....                     | 3         |
| 2.3       | Mains connection.....                                   | 4         |
| <b>3</b>  | <b>Appliance dimensions.....</b>                        | <b>4</b>  |
| <b>4</b>  | <b>Recess dimensions.....</b>                           | <b>5</b>  |
| <b>5</b>  | <b>Ventilation requirements.....</b>                    | <b>6</b>  |
| <b>6</b>  | <b>Custom panel weights.....</b>                        | <b>6</b>  |
| <b>7</b>  | <b>Water connection*.....</b>                           | <b>6</b>  |
| 7.1       | Dimensions for the water connection.....                | 6         |
| 7.2       | Water pressure.....                                     | 7         |
| <b>8</b>  | <b>Transporting appliance.....</b>                      | <b>7</b>  |
| <b>9</b>  | <b>Unpacking the appliance.....</b>                     | <b>7</b>  |
| <b>10</b> | <b>Setting up the appliance.....</b>                    | <b>7</b>  |
| 10.1      | After installation.....                                 | 7         |
| <b>11</b> | <b>Disposing of packaging.....</b>                      | <b>7</b>  |
| <b>12</b> | <b>What the symbols mean.....</b>                       | <b>8</b>  |
| <b>13</b> | <b>*** freezer compartment door*.....</b>               | <b>9</b>  |
| 13.1      | Moving the door hinge.....                              | 9         |
| <b>14</b> | <b>Reversing the door.....</b>                          | <b>9</b>  |
| <b>15</b> | <b>Connecting the appliance to the water supply*..</b>  | <b>11</b> |
| 15.1      | Connecting the hose.....                                | 11        |
| 15.2      | Checking the water system.....                          | 12        |
| <b>16</b> | <b>Installing the appliance in the recess.....</b>      | <b>12</b> |
| <b>17</b> | <b>Cabinet fronts.....</b>                              | <b>19</b> |
| 17.1      | Dimensions.....                                         | 19        |
| 17.2      | Mounting the cabinet front(s).....                      | 19        |
| 17.3      | Setting the clearance to avoid collision.....           | 19        |
| <b>18</b> | <b>Water tank*.....</b>                                 | <b>20</b> |
| 18.1      | Inserting the water tank.....                           | 20        |
| <b>19</b> | <b>Water filter*.....</b>                               | <b>20</b> |
| 19.1      | Inserting the water filter.....                         | 20        |
| <b>20</b> | <b>Connecting the appliance to the power supply....</b> | <b>21</b> |

The manufacturer is continually working on the further development of all types and models. Please be aware that we reserve the right to make changes to the shape, equipment and technology.

| Symbol                                                                              | Explanation                                                                                                                                      |
|-------------------------------------------------------------------------------------|--------------------------------------------------------------------------------------------------------------------------------------------------|
|  | <b>Read instructions</b><br>Please read the information in these instructions carefully to understand all of the benefits of your new appliance. |

| Symbol                                                                              | Explanation                                                                                                                                                                                                                                                                                                                                                                                                                                                                                   |
|-------------------------------------------------------------------------------------|-----------------------------------------------------------------------------------------------------------------------------------------------------------------------------------------------------------------------------------------------------------------------------------------------------------------------------------------------------------------------------------------------------------------------------------------------------------------------------------------------|
|    | <b>Additional information on the Internet</b><br>The digital manual with additional information and in other languages can be found via the QR code on the front of the manual or by entering the service number at <a href="http://home.liebherr.com/fridge-manuals">home.liebherr.com/fridge-manuals</a> .<br>The service number can be found on the serial tag:<br><br><i>Fig. Example illustration</i> |
|    | <b>Check appliance</b><br>Check all parts for transport damage. If you have any complaints, please contact your agent or customer service.                                                                                                                                                                                                                                                                                                                                                    |
|    | <b>Differences</b><br>These instructions apply to a range of models, so differences are possible. Sections that apply to certain models only are marked with an asterisk (*).                                                                                                                                                                                                                                                                                                                 |
|   | <b>Instructions and results</b><br>Instructions are marked with a ►.<br>Results are marked with a ▷.                                                                                                                                                                                                                                                                                                                                                                                          |
|  | <b>Videos</b><br>Videos about the appliances are available on the YouTube channels of Liebherr-Hausgeräte.                                                                                                                                                                                                                                                                                                                                                                                    |

## 1 General safety instructions

- Please keep this assembly manual in a safe place so you can refer back to it at any time.
- If you pass the appliance on, please hand this assembly manual to the next user.
- Read this assembly manual carefully before installation and use to ensure safe and correct use of the appliance. Follow the instructions, safety instructions and warning messages included at all times. They are important for ensuring you can operate and install the appliance safely and without any problems.
- First read the general safety instructions in the “General safety instructions” section of the **operating instructions**, which accompany these installation instructions, and follow them. If you cannot find the **operating instructions**, you can download the **operating instructions** from the internet by entering the service number at [home.liebherr.com/fridge-manuals](http://home.liebherr.com/fridge-manuals). The

service number can be found on the serial



tag:

- **Observe the warning messages and other detailed information in the other sections when installing the appliance:**

|  |         |                                                                                                                     |
|--|---------|---------------------------------------------------------------------------------------------------------------------|
|  | DANGER  | identifies a situation involving direct danger which, if not obviated, may result in death or severe bodily injury. |
|  | WARNING | identifies a dangerous situation which, if not obviated, may result in death or severe bodily injury.               |
|  | CAUTION | identifies a dangerous situation which, if not obviated, may result in minor or medium bodily injury.               |
|  | NOTICE  | identifies a dangerous situation which, if not obviated, may result in damage to property.                          |
|  | Note    | identifies useful instructions and tips.                                                                            |

## 2 Installation conditions

### WARNING

Fire hazard due to dampness!  
If live parts or the mains lead become damp this may cause short circuits.

- ▶ The appliance is designed for use in enclosed areas. Do not operate the appliance outdoors or in areas where it is exposed to splash water or damp conditions.

Intended use

- Install and use the appliance in indoor spaces only.
- Use the appliance only once installed.

### 2.1 Location

#### WARNING

Leaking coolant and oil!  
Fire. The coolant contained in the appliance is eco-friendly, but also flammable. The oil contained in the appliance is flammable. Escaping coolant and oil can ignite if the concentration is high enough and in contact with an external heat source.

- ▶ Do not damage the pipelines of the coolant circuit and the compressor.

- If the appliance is installed in a very humid environment, condensation can build up on the outside of the unit.

Always ensure good airflow and ventilation in the installation location.

- The more refrigerant there is in the appliance, the larger the space that it is installed in must be. If the space is too small, any leak may create a flammable mixture of gas and air. For every 8 g of refrigerant, the installation space must be at least 1 m<sup>3</sup>. Information regarding the coolant can be found on the serial tag inside the appliance.

#### 2.1.1 Supporting floor

- The floor of the installation site must be horizontal and even.
- If you are installing the unit in a cabinet standing on an uneven floor: level the cabinet.

#### 2.1.2 Positioning

- Do not install the appliance in direct sunlight or near radiators or similar sources of heat.
- You can install the appliance directly next to an oven.
- If the appliance is installed directly next to an oven, the energy consumption may increase slightly. This is dependent on the service life and usage intensity of the oven.
- Only fit the appliance into solid kitchen units.

#### Note

Please contact Customer Services to acquire a kit to limit the door opening angle to 90° for appliances with soft close mechanisms.\*

## 2.2 Installing multiple appliances

The appliances have been developed for different installation methods. If you wish to install several appliances next to each other or on top of each other, ensure that the following requirements are met:

- Only install appliances next to or on top of each other if they have been developed for this.
- Observe notices and the following table.

#### NOTICE

Risk of damage due to condensate!

- ▶ Do not place the appliance directly next to another cooling/refrigeration unit.

#### NOTICE

Risk of damage due to condensation!

- ▶ Do not place the appliance directly on top of another cooling/refrigeration unit.

| Model                                                                                                                                                                     | Installation method  |
|---------------------------------------------------------------------------------------------------------------------------------------------------------------------------|----------------------|
| All models                                                                                                                                                                | Standalone           |
| Models with a model designation starting with <b>S...</b>                                                                                                                 | Side-by-Side (SBS)   |
| Models up to a maximum niche height of 880 mm and with a heated ceiling can be installed "on top of each other".<br>Top appliance: up to a maximum niche height of 140 mm | On top of each other |

*Models and their installation method*

# Appliance dimensions



Fig. 1

Install each appliance into a separate unit niche.

## 2.3 Mains connection



### WARNING

Danger of fire due to incorrect positioning!

If the mains cable or plug touches the back of the appliance, the vibration can damage the mains cable or the plug resulting in a short circuit.

- ▶ Make sure the mains cable is not trapped under the appliance when you position the appliance.
- ▶ Stand the appliance so that it is not touched by connectors or main cables.
- ▶ Do not connect any appliances to sockets in the area of the back of the appliance.
- ▶ Do **not** place and operate multi-sockets/power distributors and other electronic devices (such as halogen transformers) at the back of the appliances.

|                   | A (mm) | B (mm) | C (mm) | D (mm) | E (mm) |
|-------------------|--------|--------|--------|--------|--------|
| ICB.. 51..2       | 559    | 546    | 1770   | 549    | 15     |
| IC.. 51..3        |        |        |        |        |        |
| S/ICN.. 51..3     |        |        |        |        |        |
| ICBN.. 51..3      |        |        |        |        |        |
| ICBN.. 51..3      |        |        |        |        |        |
| IC/B/N/bsci 51..  |        |        |        | 695    |        |
| IKG 51Ve03 / IKGN |        |        |        |        |        |
| 51Vc03 / IKGN     |        |        |        |        |        |
| 51Ve03 / IKGBN    |        |        |        |        |        |
| 51Vd23i           |        |        |        |        |        |
| ICN..56..3        |        |        | 1938   |        |        |
| ICBN...56..3      |        |        |        |        |        |

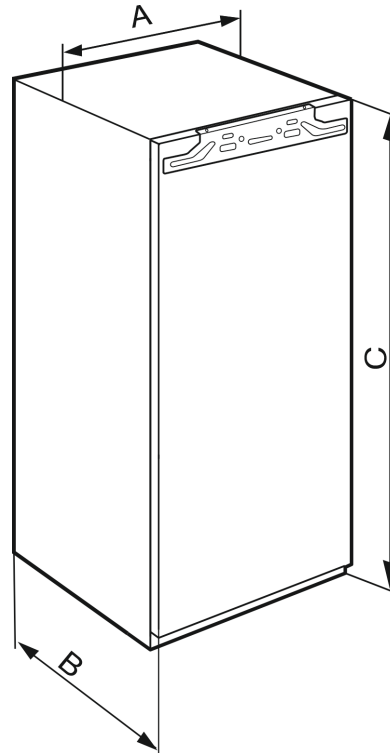


Fig. 3

## 3 Appliance dimensions

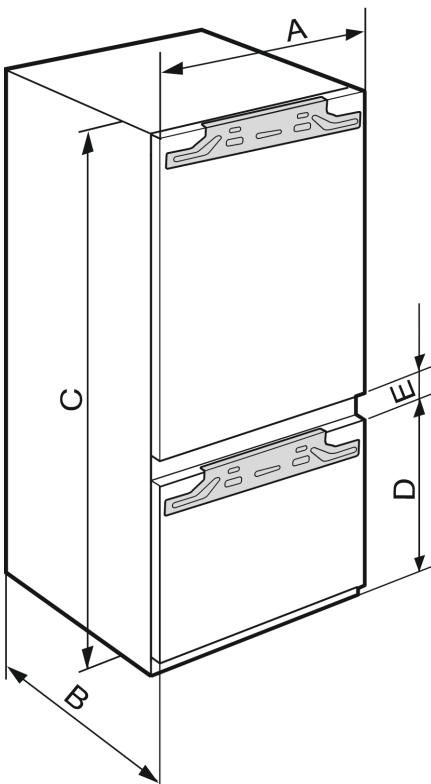


Fig. 2



## Recess dimensions

|                                                                                                                                                                                   | A (mm) | B (mm) | C (mm) |
|-----------------------------------------------------------------------------------------------------------------------------------------------------------------------------------|--------|--------|--------|
| IFN 35..                                                                                                                                                                          | 559    | 546    | 712    |
| IR.. 39..<br>SIBai 39..<br>SIBa20i 39..<br>S/IF/N.. 39..                                                                                                                          |        |        | 872    |
| IR.. 40..<br>IRB.. 40..                                                                                                                                                           |        |        | 1022   |
| IR.. 41..<br>IRB.. 41..<br>IRBbsbi 41..<br>SIFN.. 41..                                                                                                                            |        |        | 1213   |
| IR.. 45..<br>IRB.. 45..<br>IRBbsbi 45..<br>SIFN.. 45..                                                                                                                            |        |        | 1395   |
| IRB.. 48..                                                                                                                                                                        |        |        | 1572   |
| IR.. 51..<br>IRD.. 51..<br>IRB.. 51..<br>IRBbsci 51..<br>IRBP.. 51..<br>IRBPbsci 51..<br>SIFN.. 51..<br>SIFN.. 51..<br>IK 51Ve00 / IK<br>51Ve01 / IKB<br>51Vc50i / IKB<br>51Vc51i |        |        | 1770   |

Observe the following information for devices with a fixed water connection:

- Water connection (see 7 Water connection\*)
- Connecting the device to the water supply (see 15 Connecting the appliance to the water supply\*)

| IFN..(i) 35.. |                           |
|---------------|---------------------------|
| <b>F (mm)</b> | 714 to 730                |
| <b>G (mm)</b> | 560 to 570                |
| <b>H (mm)</b> | min. 550, recommended 560 |
| <b>J (mm)</b> | min. 500                  |
| <b>L (mm)</b> | max. 19                   |

| IFN..(i) 39.. / IR..(i) 39.. / SIBa20i 3905 / SIFN..i 39.. |                           |
|------------------------------------------------------------|---------------------------|
| <b>F (mm)</b>                                              | 874 to 890                |
| <b>G (mm)</b>                                              | 560 to 570                |
| <b>H (mm)</b>                                              | min. 550, recommended 560 |
| <b>J (mm)</b>                                              | min. 500                  |
| <b>L (mm)</b>                                              | max. 19                   |

| IR(B)..(i) 40.. |                           |
|-----------------|---------------------------|
| <b>F (mm)</b>   | 1024 to 1040              |
| <b>G (mm)</b>   | 560 to 570                |
| <b>H (mm)</b>   | min. 550, recommended 560 |
| <b>J (mm)</b>   | min. 500                  |
| <b>L (mm)</b>   | max. 19                   |

| IR(B)..(i) 41.. / IRBbsbi 4170 / SIFN..i 41.. |                           |
|-----------------------------------------------|---------------------------|
| <b>F (mm)</b>                                 | 1216 to 1236              |
| <b>G (mm)</b>                                 | 560 to 570                |
| <b>H (mm)</b>                                 | min. 550, recommended 560 |
| <b>J (mm)</b>                                 | min. 500                  |
| <b>L (mm)</b>                                 | max. 19                   |

| IR(B)..(i) 45.. / IRBbsbi 4570 / SIFN..i 45.. |                           |
|-----------------------------------------------|---------------------------|
| <b>F (mm)</b>                                 | 1397 to 1413              |
| <b>G (mm)</b>                                 | 560 to 570                |
| <b>H (mm)</b>                                 | min. 550, recommended 560 |
| <b>J (mm)</b>                                 | min. 500                  |
| <b>L (mm)</b>                                 | max. 19                   |

| IRB..i 48..   |                           |
|---------------|---------------------------|
| <b>F (mm)</b> | 1574 to 1590              |
| <b>G (mm)</b> | 560 to 570                |
| <b>H (mm)</b> | min. 550, recommended 560 |
| <b>J (mm)</b> | min. 500                  |
| <b>L (mm)</b> | max. 19                   |

## 4 Recess dimensions

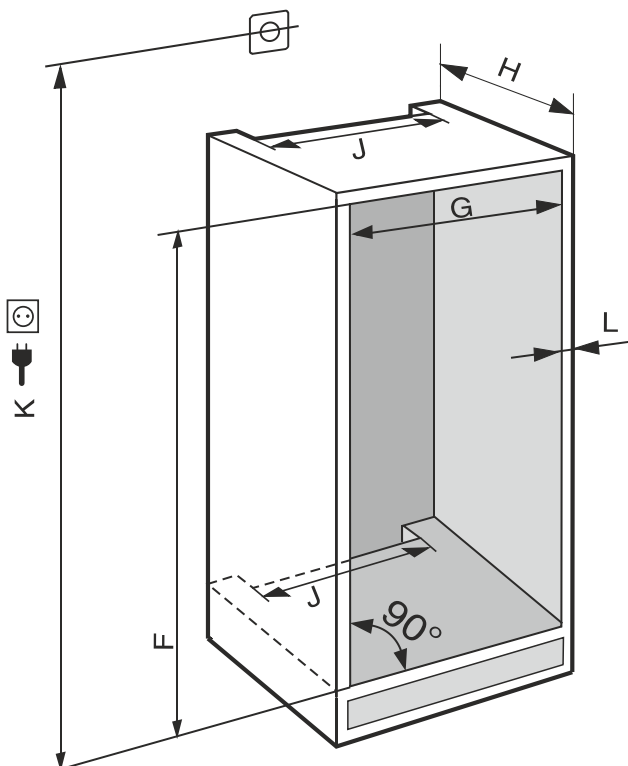


Fig. 4 (K): max. 2100 mm

# Ventilation requirements

|                                                                                                                                                                                                                                                                                 |                           |
|---------------------------------------------------------------------------------------------------------------------------------------------------------------------------------------------------------------------------------------------------------------------------------|---------------------------|
| IC(B)(N)..(i) 51.. / ICBnbsci 5173 / IKG 51Ve03 / IKGn 51Vc03 / ICNbsci 5173 / IKGn 51Ve03 / IR(B)(P)..(i) 51.. / IRD..i 51.. / IRBbsci 5170 / IRBbsci 5171 / IRBPbsci 5170 / IKB 51Vc50i / IKB 51Vc51i / IK 51Ve00 / IK 51Ve01 / SICN..i 51.. / SIFN..(i) 51.. / SIFNbsdi 51.. |                           |
| <b>F (mm)</b>                                                                                                                                                                                                                                                                   | 1772 to 1788              |
| <b>G (mm)</b>                                                                                                                                                                                                                                                                   | 560 to 570                |
| <b>H (mm)</b>                                                                                                                                                                                                                                                                   | min. 550, recommended 560 |
| <b>J (mm)</b>                                                                                                                                                                                                                                                                   | min. 500                  |
| <b>L (mm)</b>                                                                                                                                                                                                                                                                   | max. 19                   |

The specified energy consumption was determined with a kitchen unit depth of 560 mm. The appliance will work properly at a kitchen unit depth of 550 mm, but with a slightly higher energy consumption.

- ▶ Check the wall thickness of adjacent cabinets: They must have a minimum of 16 mm.
- ▶ Only fit the appliance into stable, solid kitchen units. Secure the unit against tipping.
- ▶ Align the cabinets with a spirit level and a try square. If necessary, level them by putting something underneath them.
- ▶ Make sure floor and the side panels of the cabinet are at right angles to each other.

## 5 Ventilation requirements

### NOTICE

Covered vents!

Damage. Appliance can overheat, which can reduce the service life of various parts of the appliance and lead to operational impairments.

- ▶ Always make sure there is good ventilation.
- ▶ Always keep vents or ventilation grids in the appliance housing and in the kitchen furniture (fully integrated appliance) unobstructed.
- ▶ Always keep the fan air vents unobstructed.

Always follow the required ventilation gaps:

- The depth of the ventilation shaft at the back of the cabinet must be at least 38 mm.
- At least 200 cm<sup>2</sup> is required for the ventilation gap cross sections in the plinth and the housing cabinet.
- As a rule, the larger the ventilation cross-section, the more efficiently the appliance will run.

Sufficient ventilation is required for the operation of the appliance. The ventilation grids provided ensure an effective ventilation cross-section on the appliance of 200 cm<sup>2</sup>. If you replace the ventilation grids with a cover plate the ventilation cross-section must be as least as large as the ventilation grid provided by the manufacturer.

## 6 Custom panel weights

### NOTICE

An excessively heavy custom panel can potentially cause damage!

If the custom panel is too heavy, damage to the hinges cannot be ruled out, which may compromise the functionality of the unit.

- ▶ Before fitting the custom panel, ensure the custom panel does not exceed the permissible weight.

| Recess height (mm)* | Maximum weight of custom panel (kg)* |
|---------------------|--------------------------------------|
| 720                 | 16                                   |
| 880                 | 16                                   |
| 1020                | 13                                   |
| 1220                | 19                                   |
| 1400                | 21                                   |
| 1580                | 22                                   |
| 1780                | 26                                   |

Single-door fridges and freezers

| Niche height (mm)* | Maximum weight of custom panel (kg)* |                           |
|--------------------|--------------------------------------|---------------------------|
|                    | Fridge compartment door*             | Freezer compartment door* |
| 1780               | 18                                   | 12                        |

Customising combinations

## 7 Water connection\*

If your appliance has a fixed water connection, a hose is supplied with it.

### Note

You can purchase a hose of a different length as an accessory.

|                                                  |                                                        |
|--------------------------------------------------|--------------------------------------------------------|
| Overview of dimensions for the water connection: | (see 7.1 Dimensions for the water connection)          |
| Requirements for the water pressure:             | (see 7.2 Water pressure)                               |
| Make the water connection:                       | (see 15 Connecting the appliance to the water supply*) |

### 7.1 Dimensions for the water connection

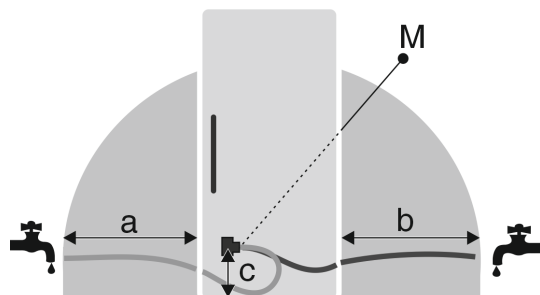


Fig. 5

(a) Maximum available hose length\*

(b) Maximum available hose length\*

(c) Distance of solenoid valve to floor\*

(M) Solenoid valve\*

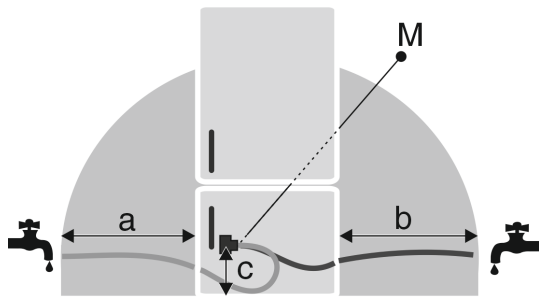


Fig. 6

- (a) Maximum available hose length\*
- (b) Maximum available hose length\*
- (c) Distance of solenoid valve to floor\*
- (M) Solenoid valve\*

| a         | b         | c       |
|-----------|-----------|---------|
| ~ 1200 mm | ~ 1200 mm | ~ 55 mm |

## 7.2 Water pressure

The water connection line and solenoid valve of the appliance are suitable for a water pressure of up to 1 MPa (10 bar).

To ensure that the appliance functions correctly (flow rate, ice cube size, noise level), maintain the following water pressure:

| Water pressure: |              |
|-----------------|--------------|
| bar             | MPa          |
| 1.5 to 6.2      | 0.15 to 0.62 |

| Water pressure when using the water filter:* |              |
|----------------------------------------------|--------------|
| bar*                                         | MPa*         |
| 2.8 to 6.2                                   | 0.28 to 0.62 |

If the pressure is higher than 6.2 bar:

- ▶ Fit a pressure reducer.
- ▶ Make the water connection. (see 15 Connecting the appliance to the water supply\*)

## 8 Transporting appliance

**Note when transporting the appliance:**

- ▶ Transport the appliance upright.
- ▶ Use two people to transport the appliance.

**During first use:**

- ▶ Transport the appliance packaged.

**When transporting appliances after initial commissioning (e. g. moving or cleaning):**

- ▶ Empty the appliance.
- ▶ Secure the door against unintentional opening.

## 9 Unpacking the appliance

Before you connect the appliance, report any damage immediately to the delivery company.

- ▶ Check the appliance and the packaging for damage during transport. Contact the supplier immediately if you suspect any level of damage.
- ▶ Remove all materials from the back or the side walls of the appliance that may prevent proper installation or ventilation.
- ▶ Remove all protective films from the appliance. Do not use sharp or pointed objects for this.

## 10 Setting up the appliance



### CAUTION

Risk of injury due to heavy appliance!

- ▶ Have two people transport the appliance to its installation site.



### WARNING

Danger of injury and damage due to the appliance being unstable!

The appliance can topple over.

- ▶ Secure the appliance as described in the instructions.



### WARNING

Fire hazard and danger of damage!

- ▶ Do not place appliances emitting heat e.g. microwaves, toasters etc. on the appliance!

If possible, have the appliance installed in the kitchen unit by a professional.

Do not install the appliance on your own.

### 10.1 After installation

- ▶ Remove all transport safety components.

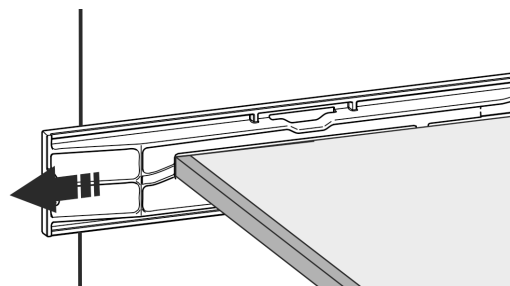
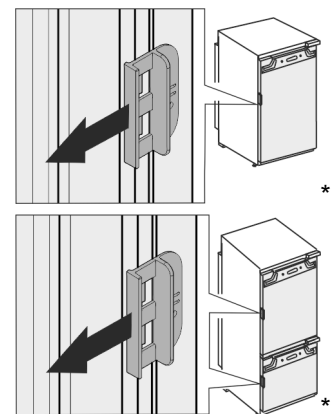


Fig. 7\*



- ▶ Pull off the transport lock on the appliance door.

- ▶ Clean the appliance (see User Guide, Cleaning the appliance).

## 11 Disposing of packaging



### WARNING

Danger of suffocation due to packing material and plastic film!












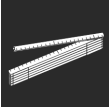
- ▶ Do not allow children to play with packing material.


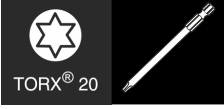











# What the symbols mean

The packaging is made of recyclable materials:

- corrugated board/cardboard
  - expanded polystyrene parts
  - polythene bags and sheets
  - polypropylene straps
  - nailed wooden frame with polyethylene panel\*
- Take the packaging material to an official collecting point.

## 12 What the symbols mean

|                                                                                     |                                                                                                       |
|-------------------------------------------------------------------------------------|-------------------------------------------------------------------------------------------------------|
|    | Risk of injury here! Follow the safety notes!                                                         |
|    | These instructions apply to a range of models. Follow this step only if it applies to your appliance. |
|    | To install, please follow the detailed description in the Guide.                                      |
|    | This section applies either to a single-door appliance or a double-door appliance.                    |
|  | Choose one of the options: Appliance with right-hinged door or appliance with left-hinged door.       |
|  | Installation step required if your model has IceMaker and/or InfinitySpring.                          |
|  | Just loosen the screws or tighten them slightly.                                                      |
|  | Tighten the screws.                                                                                   |
|  | Check to see if the next step applies for your model.                                                 |
|  | Check the correct assembly/seat of the components used.                                               |
|  | Measure the specified measurement and adjust if necessary.                                            |
|  | Tool for assembly: Metre rule                                                                         |

|                                                                                     |                                                                       |
|-------------------------------------------------------------------------------------|-----------------------------------------------------------------------|
|    | Tool for assembly: Cordless screwdriver and attachments               |
|   | A lengthwise bit insert is recommended for good access to the screws. |
|    | Tool for assembly: Spirit level                                       |
|    | Tool for assembly: Size 7 and size 10 spanners                        |
|    | Two people are required for this step.                                |
|   | Carry out this step at the marked place on the appliance.             |
|   | Aids for assembly: String                                             |
|  | Aids for assembly: Square                                             |
|  | Aids for assembly: Screwdriver                                        |
|  | Aids for assembly: Scissors                                           |
|  | Aids for assembly: Non-permanent marker pen                           |
|  | Accessory kit: Remove components                                      |
|  | Dispose of components that are no longer needed.                      |

## 13 \*\*\*\* freezer compartment door\*

It is very easy to reposition the hinge of the \*\*\*\* freezer compartment door if the main door hinge is swapped. If the main door of the appliance can be opened to more than 115° (1), you can open the freezer compartment without repositioning the hinge. If the opening angle (2) of the appliance door is less than this, the hinge must be repositioned.

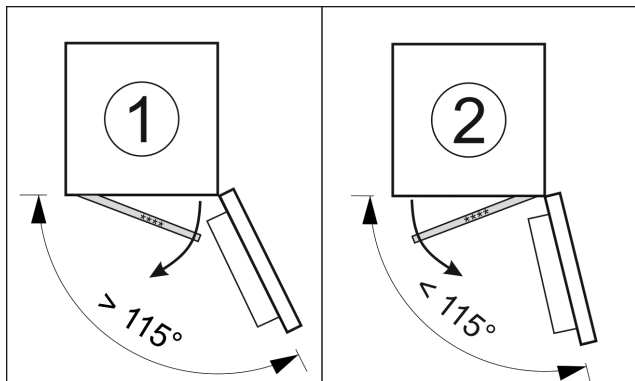


Fig. 8

### 13.1 Moving the door hinge

The slider for moving the door hinge is located on the back of the \*\*\*\* freezer compartment door at the bottom.

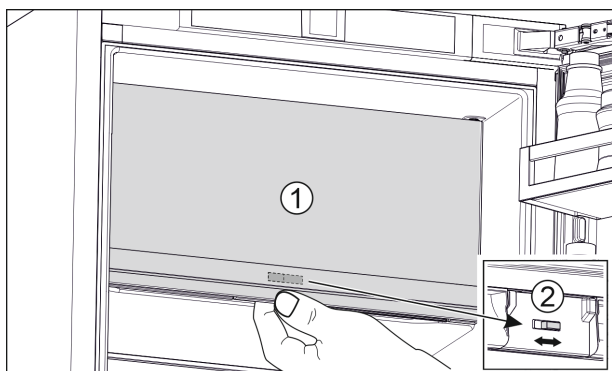


Fig. 9

- ▶ Close the \*\*\*\* freezer compartment door (1).
- ▶ Grab the \*\*\*\* freezer compartment door from below.
- ▶ Move the slider (2) either to the right or to the left.

## 14 Reversing the door

Tool

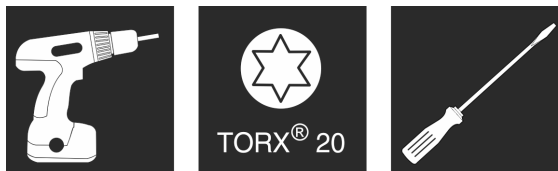


Fig. 10

### NOTICE

- Live parts!  
Damage to electrical components.
- ▶ Remove the mains plug before you reverse the door.



Fig. 11 \*

- ▶ Removing the soft stop damper: Remove the soft stop damper from the ball stud (1). Unscrew the retainer (2). Remove the ball stud with a screwdriver (3).\*

### Note

If the closing damper is only slightly above the floor, you can only remove the ball pins when the door is removed.\*



Fig. 12

- ▶ Remove covers.

### Note

When removing the covers, ensure that the surface does not get scratched.

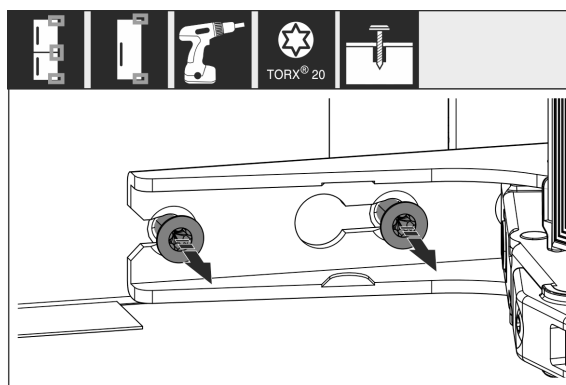


Fig. 13

- ▶ Loosen the screws on **all** hinges but do not remove them.



# Reversing the door



Fig. 14

- Removing the door: Push the door forward and then out, unhang it and put it to one side.

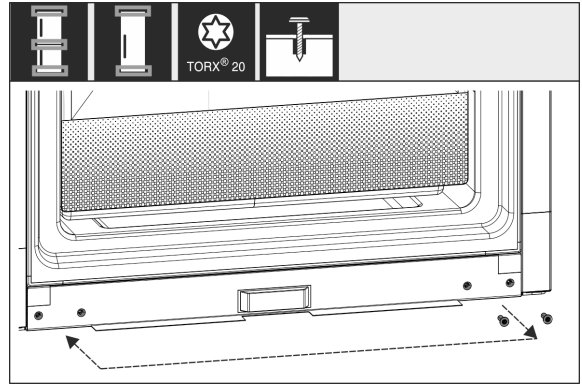


Fig. 17

- Shift the screws to fasten the hinge. Do not screw tightly after shifting – you need to hang the hinges later.

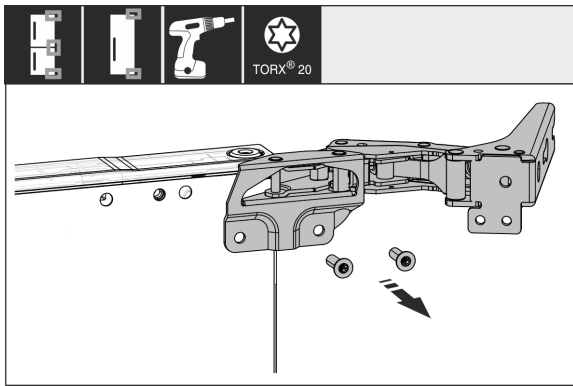


Fig. 15

- Unscrew all hinges and set aside together with the screws.

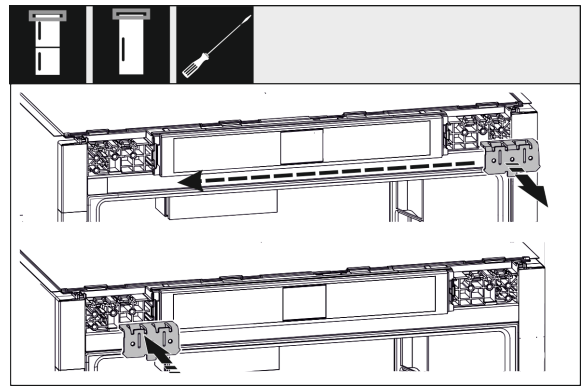


Fig. 18

- Move the fixing bracket to the opposite side.

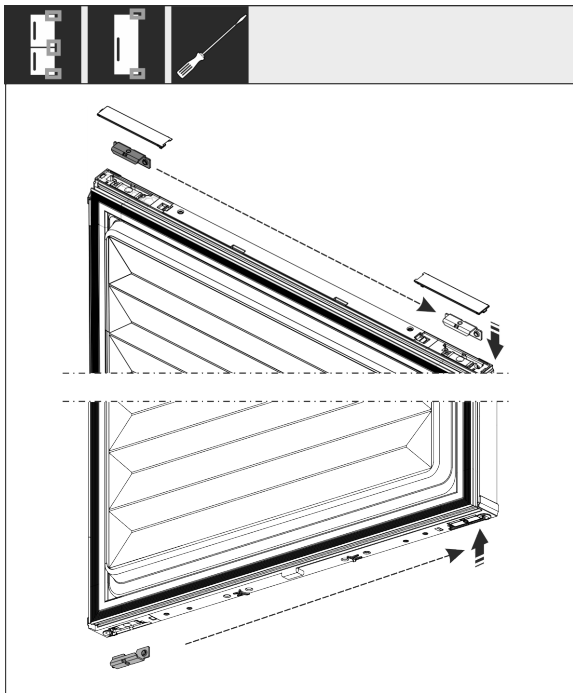


Fig. 16

- Loosen and shift the bracket at the top and bottom of the door. The bracket must be shifted so you can screw on the hinges.

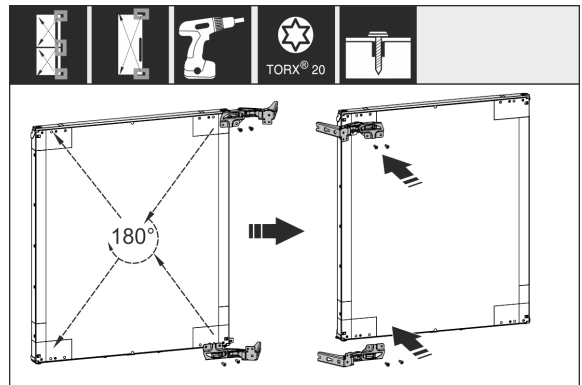


Fig. 19

- Turn all hinges 180° to the opposite side and screw firmly.

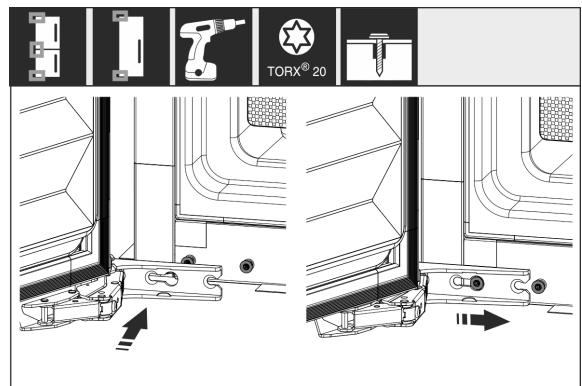


Fig. 20

- Refitting the door: Hang the door with its hinges and tighten the screws.

# Connecting the appliance to the water supply\*

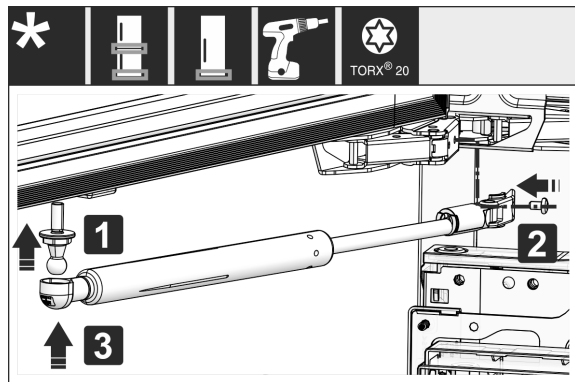


Fig. 21 \*

- ▶ Refitting the closing dampers: Screw in the ball studs (1), tighten the bracket (2) and hang the closing dampers in the ball studs.\*
- ▶ Check all screws and retighten if necessary.

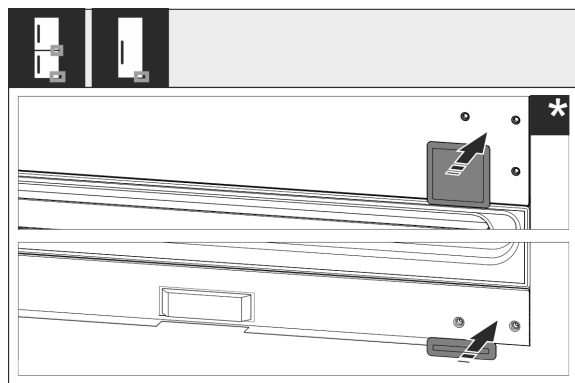


Fig. 22

- ▶ Reassemble the bottom and centre cover. Only replace the remaining covers after installing the appliance back into the cabinet.

## 15 Connecting the appliance to the water supply\*

Make sure that the following requirements are fulfilled:

- The dimensions for the water supply connection are known and complied with. (see 7.1 Dimensions for the water connection)
- The correct water pressure is maintained. (see 7.1 Dimensions for the water connection)
- Water is supplied to the appliance via a cold water pipe which can withstand the operating pressure and is connected to the drinking water supply.
- All equipment and devices used to supply water must comply with the regulations in force in the respective country.
- The rear of appliance is accessible so that you can connect the appliance to the drinking water supply.
- The supplied hose is used. Old hoses have been disposed of.
- The hose connector contains a filter with a seal.
- There is a tap between the hose line and the domestic water connection so that you can turn off the water supply if necessary.
- The tap is not directly behind the appliance and is easily accessible. This way, you can push the appliance as far as possible into the cabinet recess and can quickly turn off the tap if necessary.



### WARNING

Risk of electric shock from water!

- ▶ Before connecting to the water pipe: Disconnect the appliance from the mains.
- ▶ Before connecting to water supply lines: Shut off the water supply.
- ▶ Make sure that only qualified personnel connect the device to the drinking water supply.



### WARNING

Risk of poisoning due to contaminated water!

- ▶ Only connect to the drinking water supply.

## 15.1 Connecting the hose

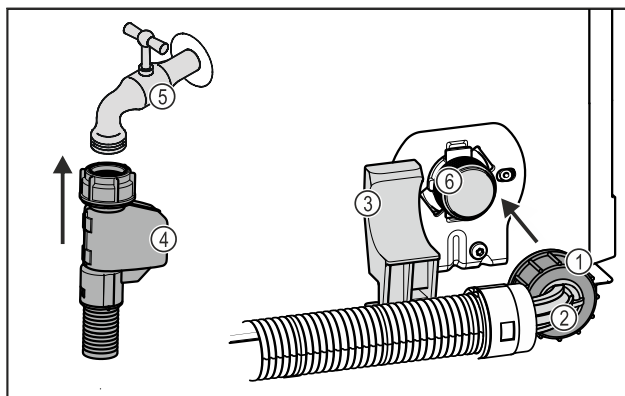


Fig. 23

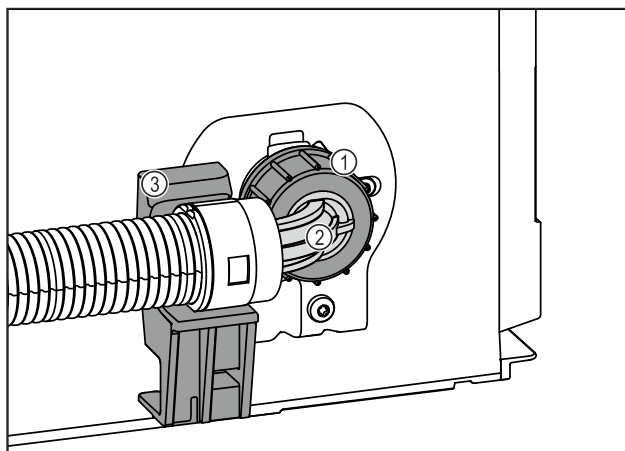


Fig. 23

- (1) Nut
- (2) Angled hose end
- (3) Bracket
- (4) Straight hose end
- (5) Tap
- (6) Solenoid valve: The solenoid valve is at the bottom on the back of the appliance. It has an R3/4 connecting thread.

### NOTICE

Risk of damage from incorrect installation!

- ▶ Do not damage or kink the hose.
- ▶ Do not damage or kink the hose during installation in the cabinet recess.

### Connecting the hose to the appliance:

- ▶ Position and hold the angled hose end Fig. 23 (2) horizontally on the bracket Fig. 23 (3).
- ▶ Screw on the nut Fig. 23 (1) on by hand until it is firmly in place.

# Installing the appliance in the recess

▷ The hose is connected to the appliance.

### Connecting the hose to the tap:

- ▶ Connect the straight hose end *Fig. 23 (4)* to the tap *Fig. 23 (5)*.
- ▷ The hose is connected to the tap.

## 15.2 Checking the water system

Before you completely install the appliance in the cabinet recess, Liebherr recommends checking the water system for leaks.

- ▶ Put in the InfinitySpring water tank. (see 18 Water tank\*)
- \* Put in the InfinitySpring water filter. (see 19 Water filter\*)
- ▶ Slowly turn on the tap.
- ▶ Check the hose, water feed and connections for leaks.
- ▷ The water system has now been checked for leaks.
- ▷ The water system is not leaking: You can install the appliance completely in the cabinet recess.

### Note

**InfinitySpring:** Before the first use, you must put the InfinitySpring into operation. To do this you must bleed and clean the water system. (see Quick Start Guide or operating instructions)\*

**IceMaker:** Before the first use, you must clean the IceMaker. (see Quick Start Guide or operating instructions)\*

## 16 Installing the appliance in the recess

### Tool

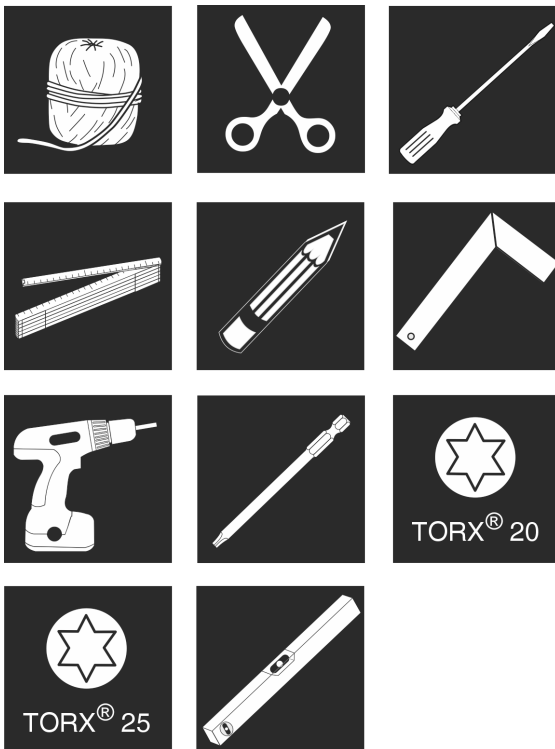


Fig. 24

### Supplied assembly parts

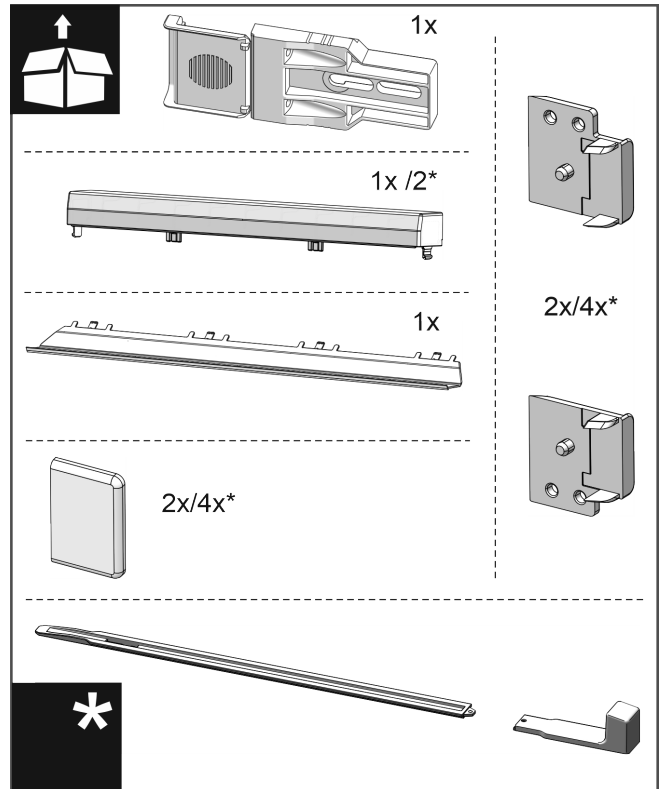


Fig. 25

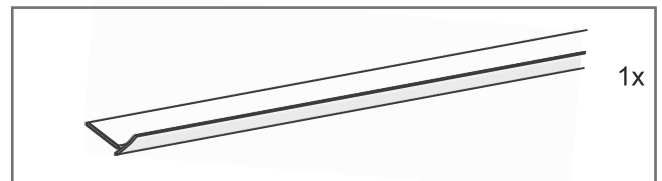


Fig. 26

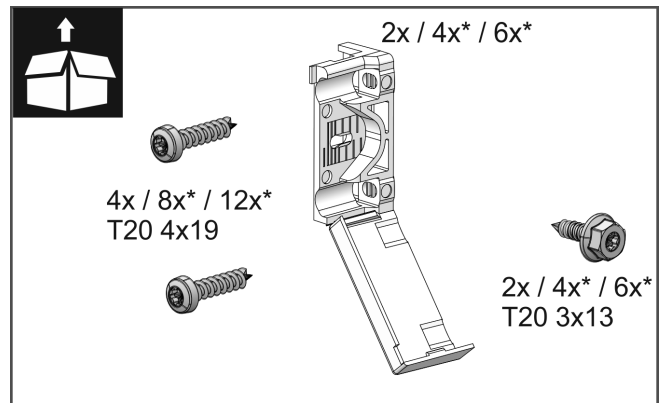


Fig. 27

# Installing the appliance in the recess

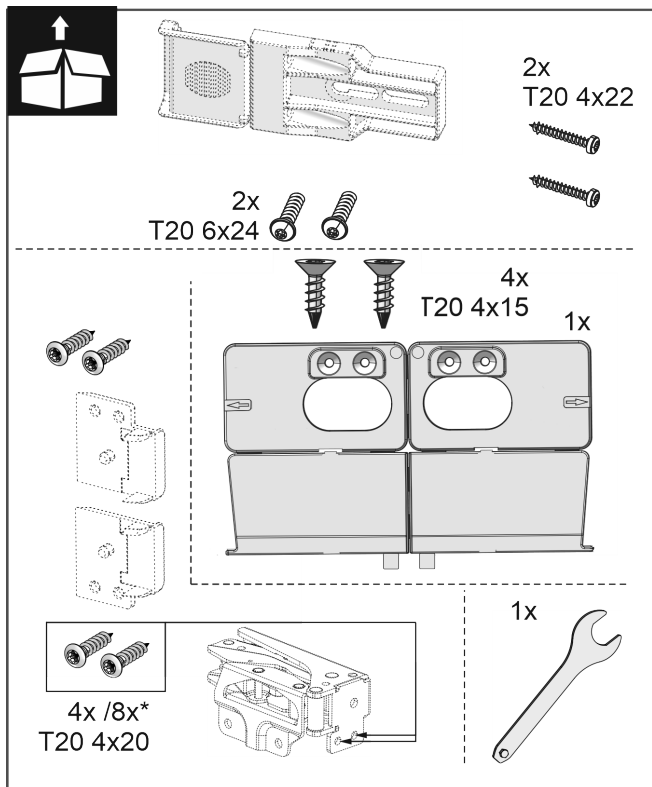


Fig. 28

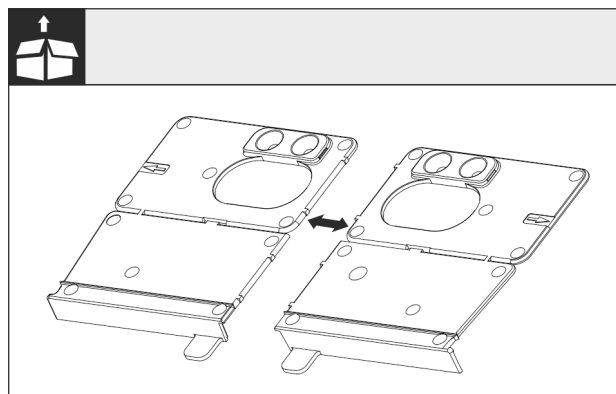


Fig. 29

- ▶ Disconnect the base installation bracket at the perforation.

## NOTICE

Correct installation depth of the appliance.

- ▶ Using the mounting bracket ensures the correct installation depth of the appliance.

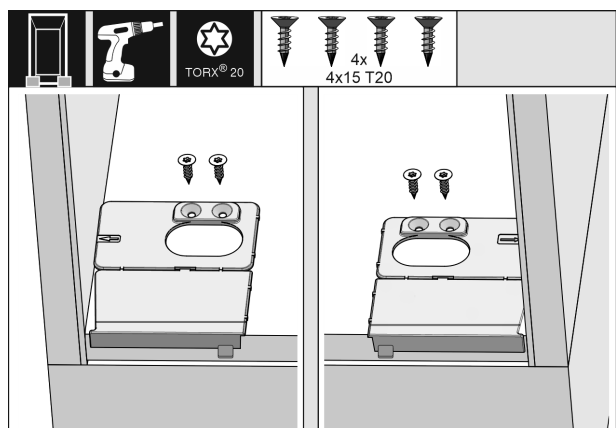


Fig. 30

- ▶ Screw the mounting brackets on the left and right of the recess floor, flush to the side wall.

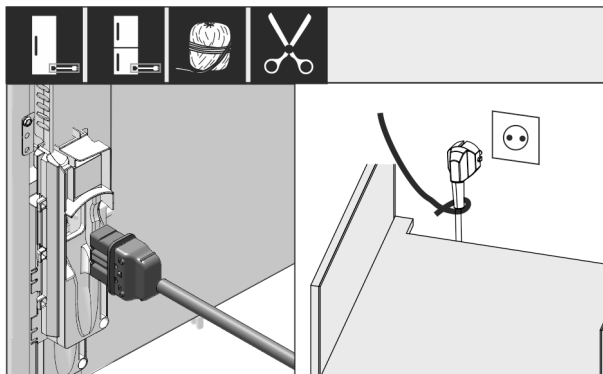


Fig. 31

- ▶ Remove the mains cable from the package.
- ▶ Plug the mains cable's IEC socket completely into the appliance plug on the back of the appliance. Ensure that the IEC socket is tight.
- ▶ Use a cord to lay the mains plug to a freely accessible socket.

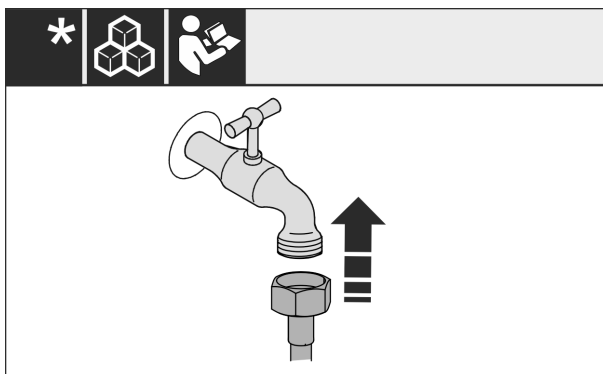


Fig. 32 \*

- ▶ If necessary, install the water connection at this point, following the instructions in the User Guide.\*

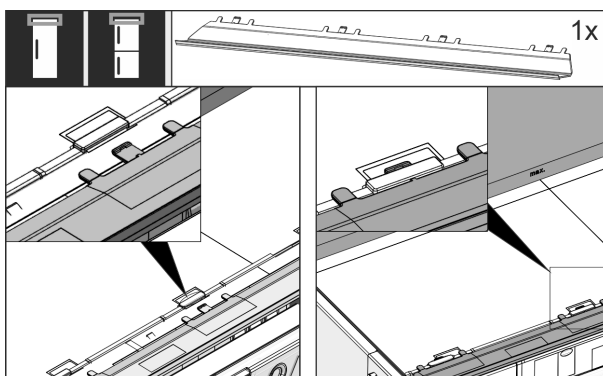


Fig. 33

- ▶ Insert the adapter panel on the top of the appliance. The panel can be moved to both sides.

# Installing the appliance in the recess

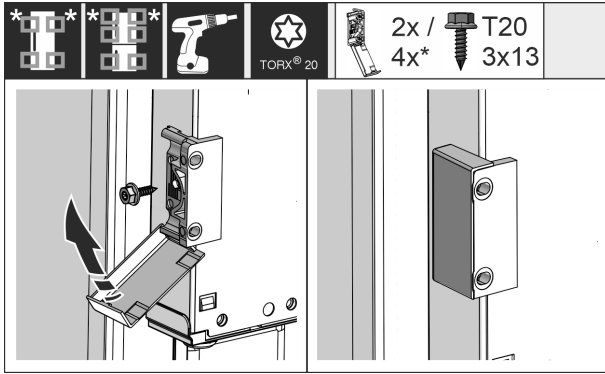


Fig. 34

- Fit the mounting bracket. Attach the mounting bracket at the height of the custom door panel handle. For a large door, use four mounting brackets.
- After assembly, fold the covers onto the bracket.

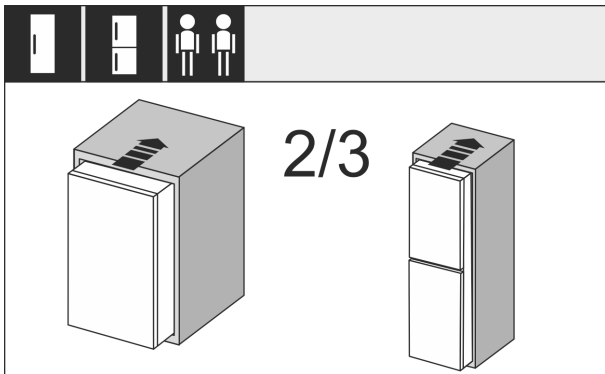


Fig. 35

- Insert the appliance 2/3 of the way into the recess.

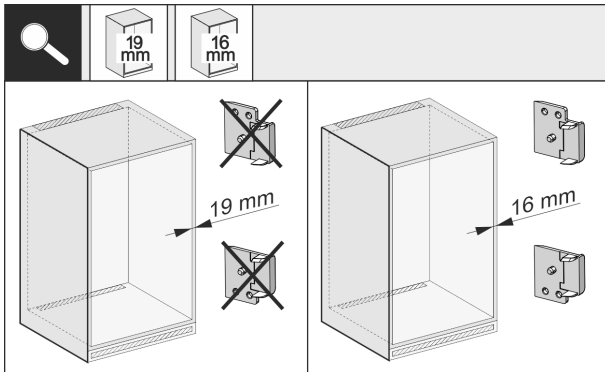


Fig. 36

- Check whether the unit side wall is 16 mm or 19 mm thick.

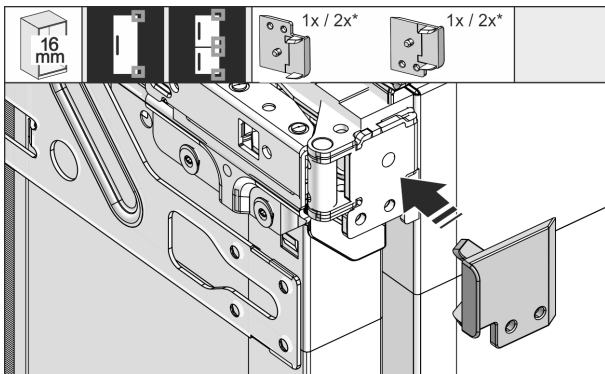


Fig. 37

- 16 mm thick unit side walls: Put a spacer on all hinges.
- 19 mm thick unit side walls: You do not need a spacer.

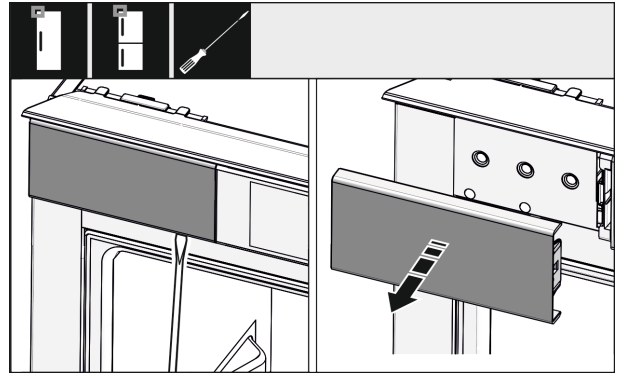


Fig. 38

- Use a screwdriver to loosen the cover at the top left and remove it.

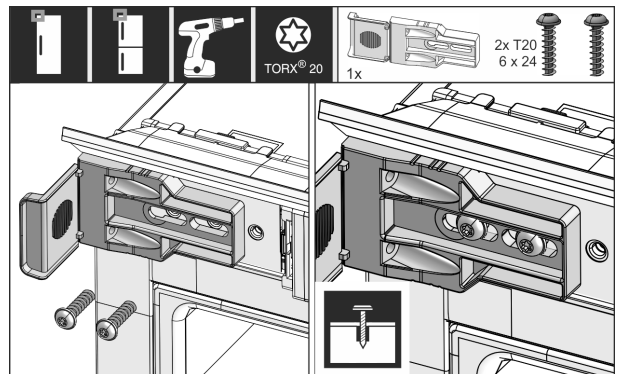


Fig. 39

- Loosely tighten the mounting bracket screw. The bracket should still be easy to move.

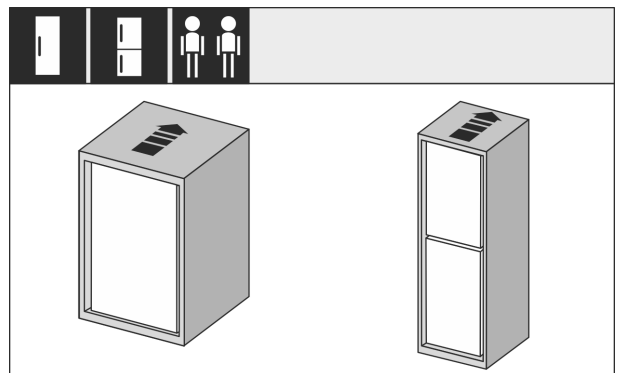


Fig. 40

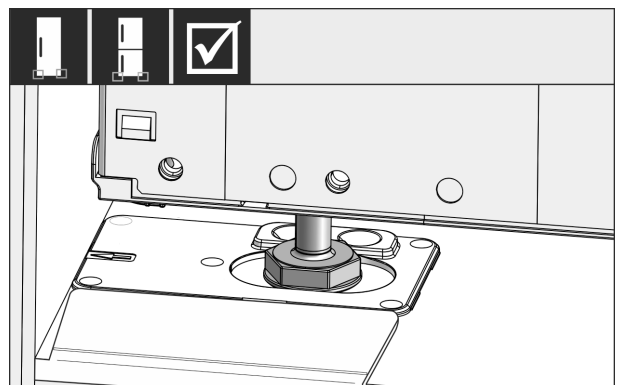


Fig. 41



# Installing the appliance in the recess

## WARNING

Risk of fire due to short circuit!

- ▶ When you push the appliance into the niche: do not kink, jam or damage the mains cable.
- ▶ The appliance must not be operated with a defective mains cable.

- ▶ Push the appliance all the way into the unit recess. The adjustable feet must rest in the recesses in the brackets on both sides.



Fig. 42

- ▶ Remove the floor mounting bracket stopper. Loosen the stopper by moving it and, if necessary, pull it off using pliers.

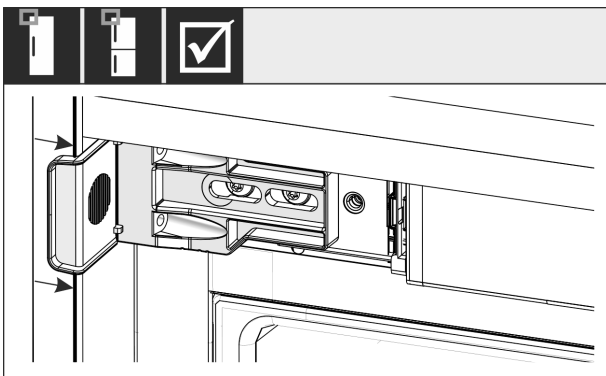


Fig. 43

- ▶ Check that the appliance is flush in the cabinet recess. The mounting bracket must be attached to the side wall of the cabinet recess.

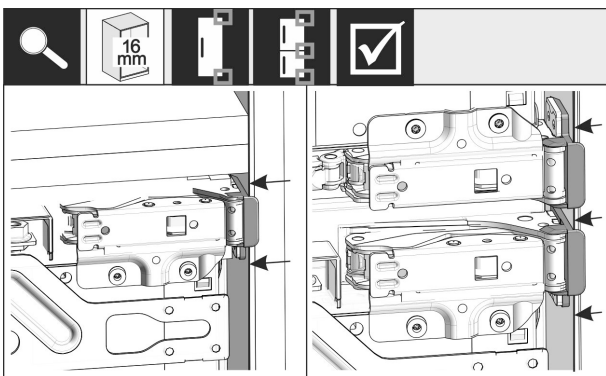


Fig. 44

### Note

With 16 mm unit side walls, the spacers fit against the unit recess on the hinge side.

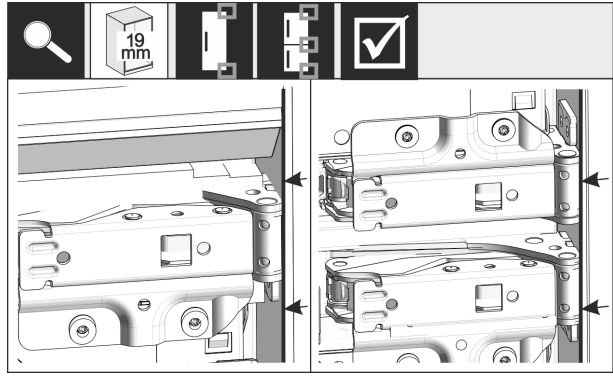


Fig. 45

- ▶ 19 mm thick unit side walls: Align the front of the hinges flush with the unit side wall.

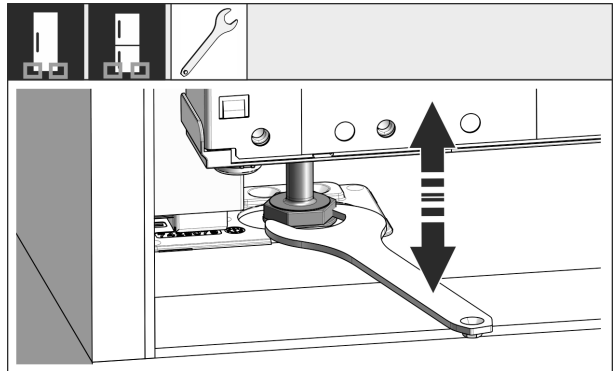


Fig. 46

- ▶ If necessary, use the adjustable feet to correct the tilt of the appliance.

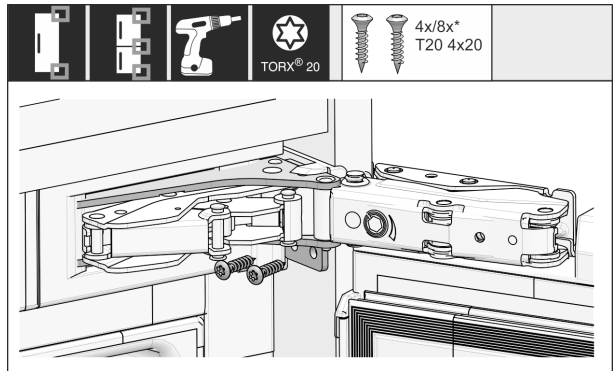


Fig. 47

- ▶ Screw on the appliance on the hinge side.

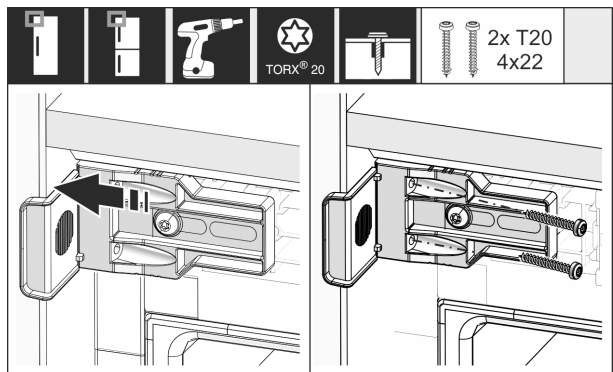


Fig. 48

- ▶ Move the bracket so it sits flush on the side wall of the cabinet recess.
- ▶ Tighten all the screws securely.

# Installing the appliance in the recess

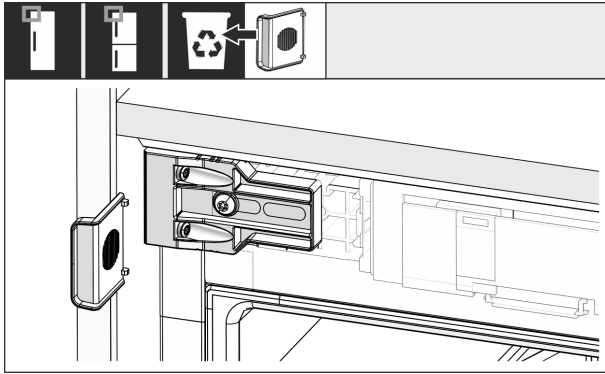


Fig. 49

- ▶ Remove the stop from the bracket on the handle side and dispose of it.

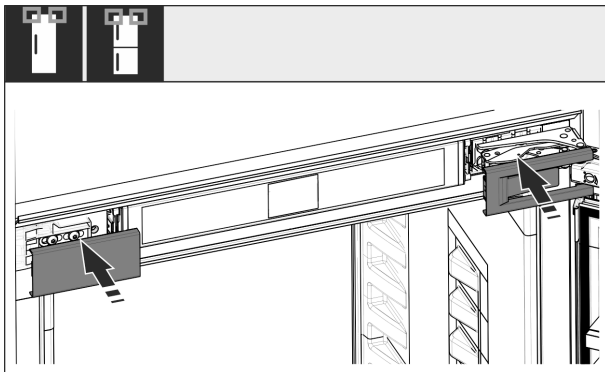


Fig. 50

- ▶ Put covers into position.

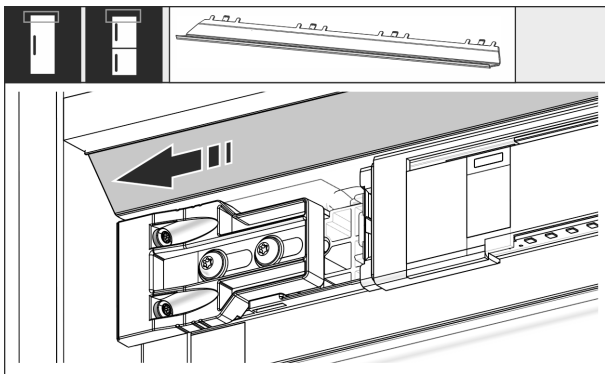


Fig. 51

- ▶ Slide the panel so that it sits flush with the side of the cabinet wall.

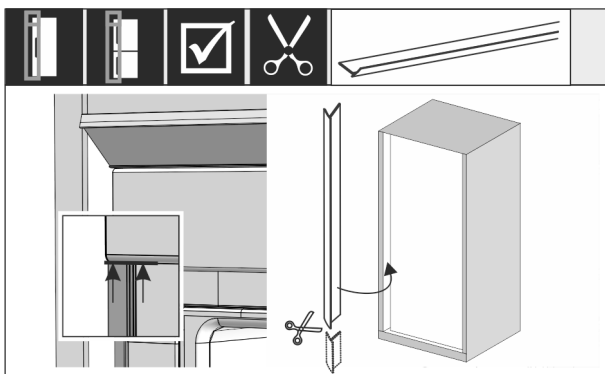


Fig. 52

- ▶ If necessary: Shorten the sealing strip as necessary with a sharp pair of scissors.
- ▶ Position the sealing strip below the top cover and press it in. The sealing strip is magnetic.

**From a niche height of 1400 mm, install levelling rails:**



Fig. 53

You must install levelling rails under the appliance from a niche height of 1400 mm. The levelling rails **reduce the noise level**. Two levelling rails and an installation handle are enclosed as standard from a niche height of 1400 mm.

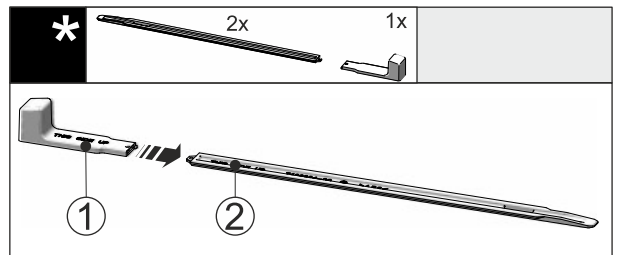


Fig. 54

- ▶ Attach the installation handle Fig. 54 (1) to the levelling rail Fig. 54 (2).

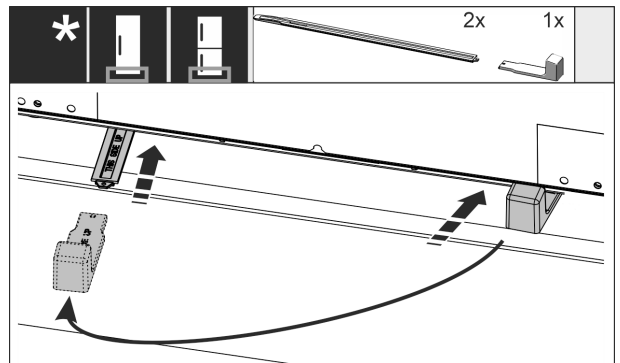


Fig. 55

- ▶ Push the levelling rail into the guide under the appliance base until it reaches the stop.
- ▶ Remove the installation handle and attach it to the second levelling rail.
- ▶ Proceed in the same way for the second levelling rail.

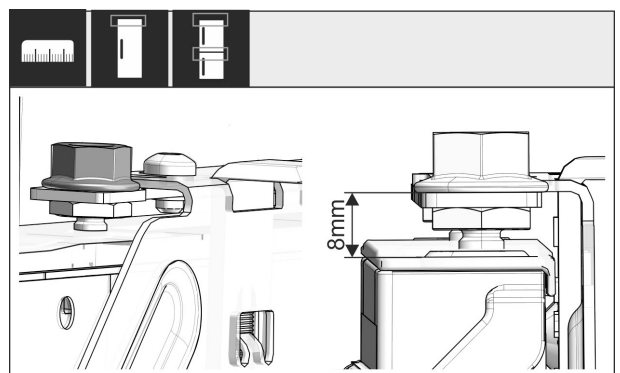


Fig. 56

- ▶ Close the door.
- ▶ Check the preset of 8 mm from the upper edge of the appliance door to the crosspiece support.

# Installing the appliance in the recess



Fig. 57

- ▶ Push the assembly aids to the unit door height. Lower stop edge of the assembly aid = upper edge of the door to be assembled.

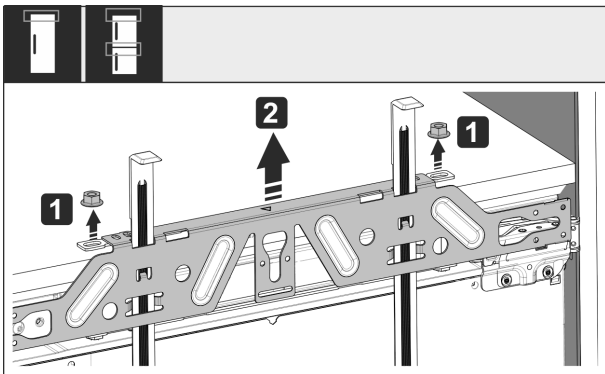


Fig. 58

- ▶ Loosen locknuts Fig. 58 (1).
- ▶ Remove crosspiece Fig. 58 (2).

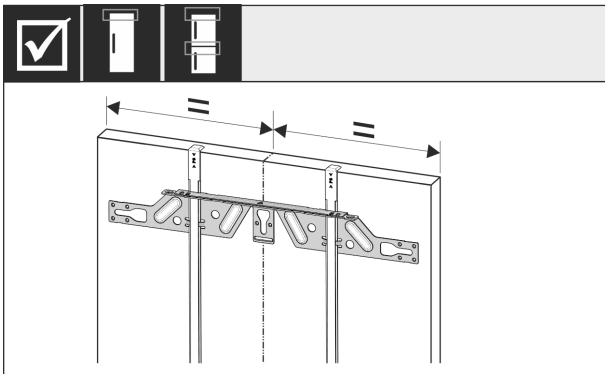


Fig. 59

- ▶ Hang the crosspiece on the inside of the unit door and make sure it is central.

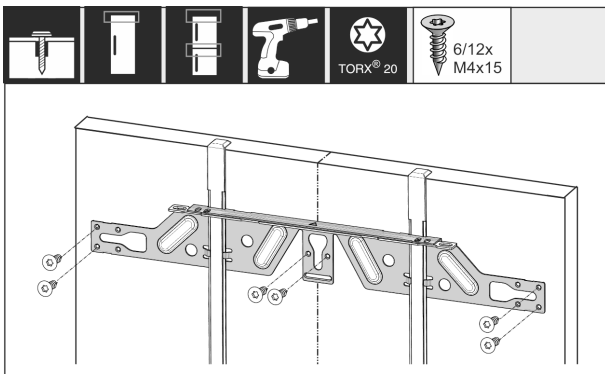


Fig. 60

- ▶ Fix the crosspiece using at least 6 screws for chipboard doors and at least 4 screws for panel doors.

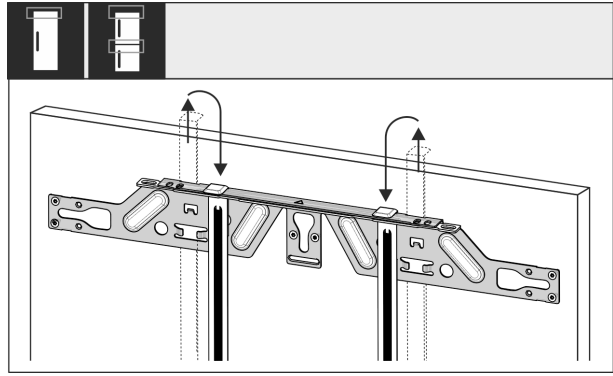


Fig. 61

- ▶ Remove the fitting aids, turn round and insert into the adjacent opening.

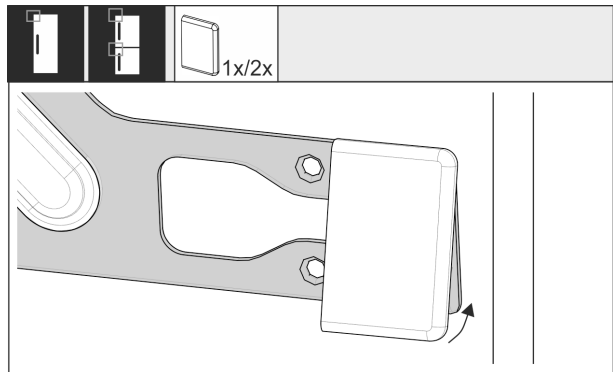


Fig. 62

- ▶ Put the cover on the crosspiece on the handle side.

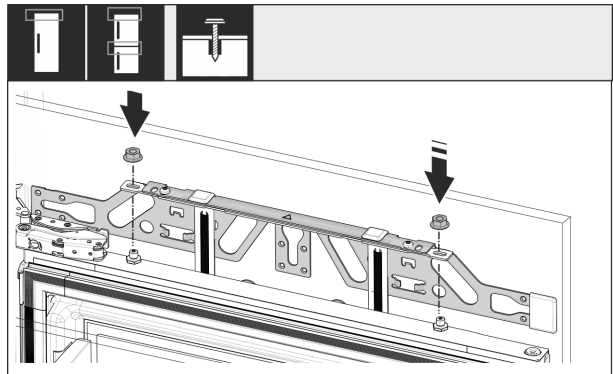


Fig. 63

- ▶ Attach the custom panel and loosely screw the lock nuts onto the adjusting bolts.



Fig. 64

- ▶ Align the custom panel in the X and Y direction using the adjusting bolts.

# Installing the appliance in the recess

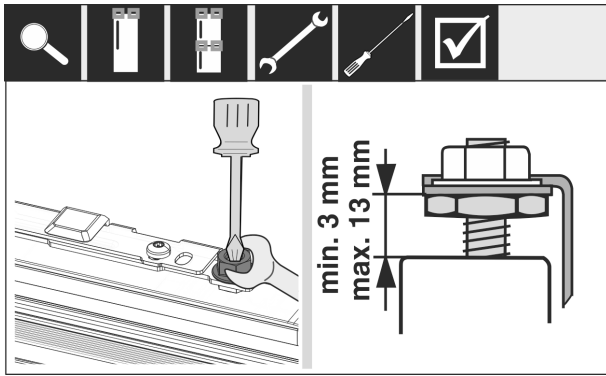


Fig. 65

- ▶ Tighten the lock nuts.
- ▶ Check the adjusted height.

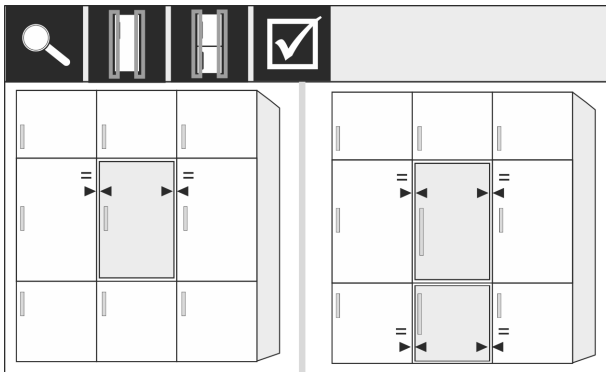


Fig. 66

For front panels thicker than 19 mm:

- ▶ Check the dimensions, weights and information in the following sections: (see 6 Custom panel weights) (see 17 Cabinet fronts)

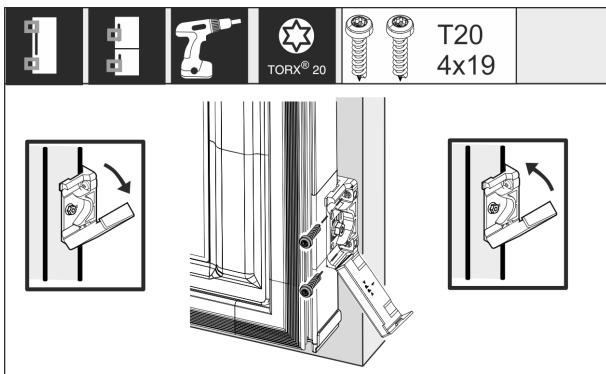


Fig. 67

Mounting the fastening bracket on the custom panel:

- ▶ Open the cover.
- ▶ Mounting the fastening bracket on the custom panel:
  - ▶ Align the front edge of the mounting bracket parallel with the custom door panel edge and screw the bracket down tightly.
- ▶ Mounting the fastening bracket on the custom panel:
  - ▶ Fold up the cover.

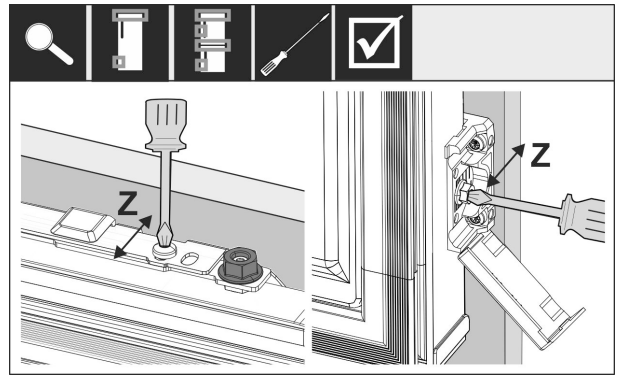


Fig. 68

Align the custom panel in the Z direction:

- ▶ Loosen the adjusting screw on the crosspiece and the screw on the mounting bracket.
- ▶ Move the door.

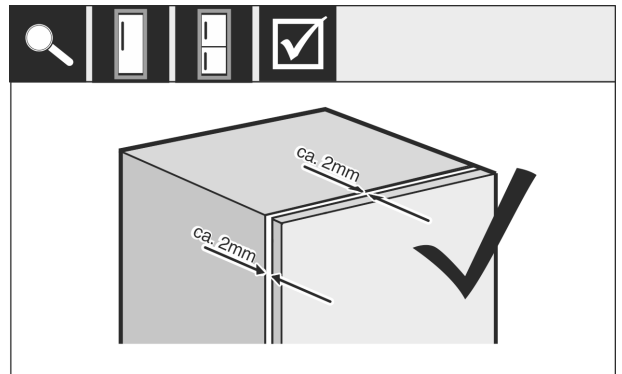


Fig. 69

- ▶ Check the gap between the custom panel and the unit body.
- ▶ Check all the screws and tighten them if necessary.

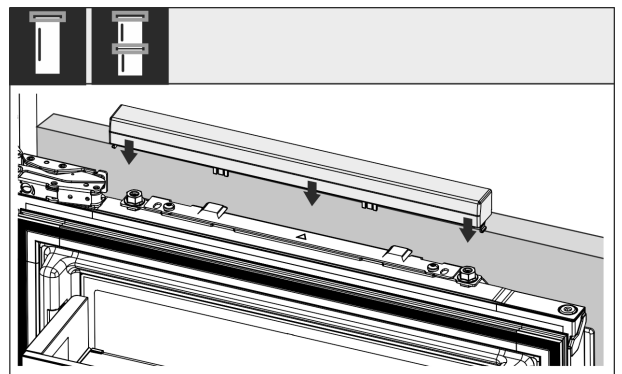


Fig. 70

- ▶ Put on the top cover.

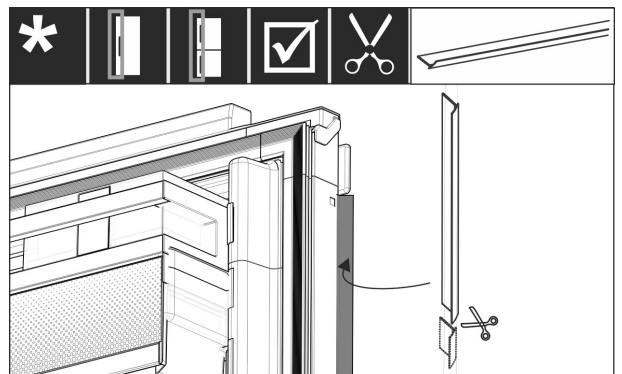


Fig. 71

- ▶ Cut the sealing strip to the required length.

- ▶ Insert the sealing strip between the front panel and the appliance door.

To make sure the appliance is correctly installed and there will not be any icing up, condensation or malfunctions, the following criteria apply:

- The door must close properly.
- The custom door panel must not touch the body of the unit.
- The seal on the upper corner on the handle side must be fitted securely.
- ▶ Check recess installation according to the criteria above.

## 17 Cabinet fronts

### 17.1 Dimensions

Depending on your model, you will need one or two cabinet doors. The size of the cabinet door(s) depends on the overall recess size and cabinet unit thickness.

#### Note

Observe the corresponding appliance and niche dimensions and installation sketches .

#### General requirements:

- Please note our appliance-specific recommendations on size and weight for fixed door installation (see 6 Custom panel weights) .
- The body of the unit should be at least 16 mm thick but not more than 19 mm.
- When mounting a 2-door cabinet door, observe the recommended clearances.\*

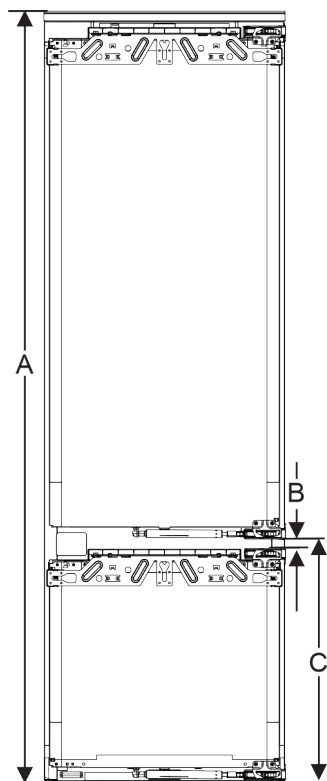


Fig. 72 Clearances for a 2-door cabinet door\*

| Recess height 178-2 drawers*     |          |
|----------------------------------|----------|
| Appliance height (A) ( mm)       | 1770     |
| Distance (B) ( mm)               | 15       |
| Clearance (C) door-on-door ( mm) | 549 + 15 |

| Recess height 178-3 drawers*     |          |
|----------------------------------|----------|
| Appliance height (A) ( mm)       | 1770     |
| Distance (B) ( mm)               | 15       |
| Clearance (C) door-on-door ( mm) | 695 + 15 |

#### Other cabinet door above, below or next to it:

- The vertical gap between custom panels must be 4 mm.
- The horizontal gap between custom panels must be 4 mm. Check the risk of them clashing here. (see 17.3 Setting the clearance to avoid collision)

#### Weight and hinges:

- With heavy furniture fronts, the stress on the hinge is very high. The hinge may be damaged. Please note the maximum weight specification for your appliance in the chapter Furniture front weights (see 6 Custom panel weights) .
- If the cabinet front exceeds the maximum permitted weight, an appliance with door-tracking device can help by loading the weight over several concealed hinges on the cabinet.
- If you use long unit fronts that protrude far above the appliances, we recommend an additional door hinge (e.g. Kamat), which must have the same pivot point as the fixed door hinge used with your appliance. By using another hinge (Kamat), the weight is shared over several points. The use of a milled compensating fastening is recommended for high unit fronts to counteract warping (convex/concave).

### 17.2 Mounting the cabinet front(s)

#### When installing, note:

- Cabinet front must be installed symmetrically to the refrigerator door.
- Adjoining cabinet front is exactly level.
- Adjoining cabinet front has the same edge radius as the front of the appliance.
- Cabinet front is flat and tension-free.
- The front panel has a minimum depth setting of approx. 2 mm to the body.
- ▶ Install the appliance in the recess. (see 16 Installing the appliance in the recess)
- ▶ Fasten the front panel to the appliance door. (see 16 Installing the appliance in the recess)
- ▶ Check that the front panel can close unobstructed. (see 17.3 Setting the clearance to avoid collision)

### 17.3 Setting the clearance to avoid collision

After installing the cabinet front(s), check that the cabinet fronts do not collide.



## Water tank\*

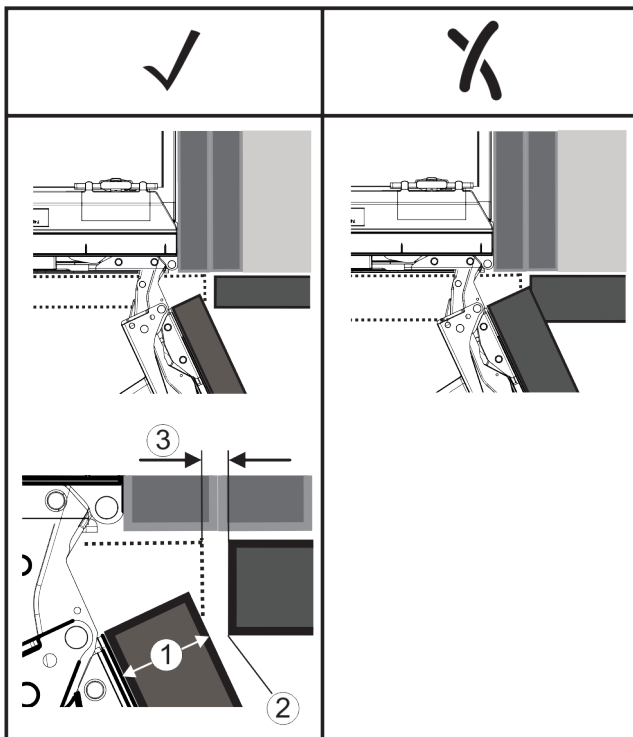


Fig. 73  
**(1)** Front thickness (FD)      **(3)** Clearance (S)  
**(2)** Edge radius (R)

| FD(1) (mm) | R (2) = 0 mm     |                  | R = 1,2 mm       |                  | R = 2 mm         |                  | R = 3 mm         |                  |
|------------|------------------|------------------|------------------|------------------|------------------|------------------|------------------|------------------|
|            | G <sub>min</sub> | G <sub>max</sub> | G <sub>min</sub> | G <sub>max</sub> | G <sub>min</sub> | G <sub>max</sub> | G <sub>min</sub> | G <sub>max</sub> |
| 16         | 0,3              | 0,9              | 0,1              | 0,4              | 0,1              | 0,2              | 0,1              | 0,2              |
| 19         | 0,7              | 2,4              | 0,3              | 1,9              | 0,23             | 3,25             | 0,1              | 0,8              |
| 20         | 2                | 4,3              | 1,5              | 3,6              | 1                | 3,1              | 0,6              | 2,7              |
| 22         | 3,5              | 6,3              | 3                | 5,6              | 2,6              | 5,3              | 2,1              | 4,6              |
| 24         | 5,5              | 8,3              | 5                | 7,8              | 4,5              | 7,4              | 4                | 6,9              |
| 26         | 7,6              | 10,7             | 7                | 10,3             | 6,6              | 9,9              | 6,2              | 9,4              |

Fig. 74 Table of clearance limits

G<sub>min</sub> = min. clearance in mm

G<sub>max</sub> = max. clearance in mm

### Note

When making adjustments, always make sure that the cabinet front suits the general appearance.

### Check the collision factors and adjust them accordingly:

- ▶ Determine the front thickness and edge radius.
- ▶ Refer to the table for the min./max. clearance dimensions.
- ▶ Check the clearance size against the table.
- ▶ Do one of the following depending on the measured clearance size.

| Clearance                     | Description                                                                                                     |
|-------------------------------|-----------------------------------------------------------------------------------------------------------------|
| $S > G_{max}$                 | If the clearance size is greater than the two limits, you do not need to make any adjustments.                  |
| $S < G_{min}$                 | If the clearance size is below the limits, you must increase it. Another option is to increase the edge radius. |
| $G_{min} \leq S \leq G_{max}$ | If the clearance is between the two limits, you have to be careful. This will quickly lead to collisions.       |

## 18 Water tank\*

Depending on your model, the InfinitySpring water tank is behind the lowest drawer in the fridge or BioFresh compartment

### 18.1 Inserting the water tank

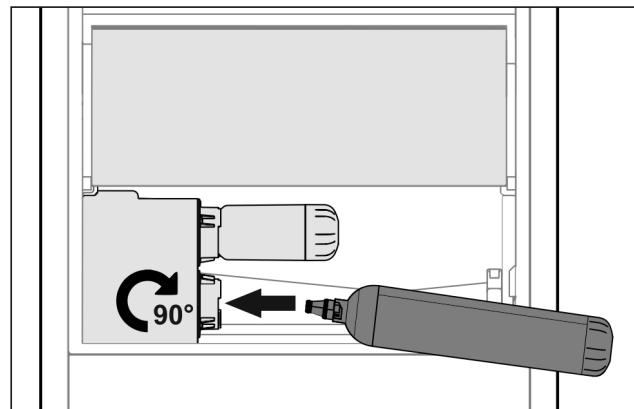


Fig. 75

- ▶ Remove the drawer compartment.
- ▶ Insert the water tank and rotate approx. 90° clockwise until it clicks in.
- ▶ Check that the tank is sealed and no water leaks out.
- ▶ Insert the drawer compartment.
- ▶ Vent the water system (see the Installation Instructions, Water Connection)

Instead of the water filter you can insert an additional water tank.

### Note

You can purchase this water tank as an optional extra.

## 19 Water filter\*

Depending on your model, the water filter is behind the lowest drawer in the fridge or BioFresh compartment.

It filters out deposits in the water and reduces the taste of chlorine.

- Replace the water filter at least every 6 months, or if there is a significant reduction in the flow rate.
- The water filter contains carbon and can be disposed of with the regular household waste.

### Note

Water filters are available from the Liebherr-Hausgeräte store at [home.liebherr.com/shop/de/deu/zubehor.html](http://home.liebherr.com/shop/de/deu/zubehor.html).

### 19.1 Inserting the water filter

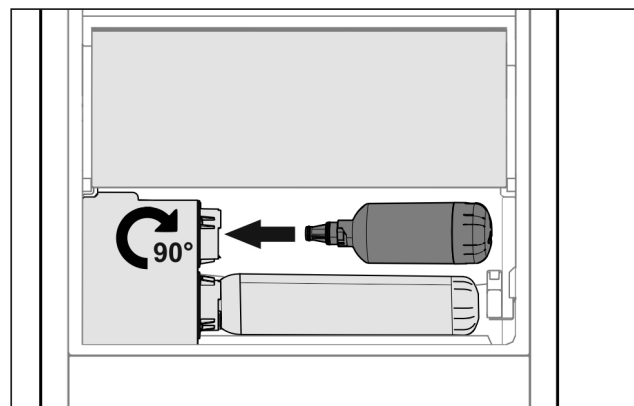
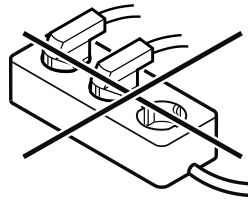


Fig. 76

- ▶ Remove the drawer compartment.
- ▶ Insert the water filter and rotate approx. 90° clockwise until it clicks in.
- ▶ Check that the filter is sealed and no water leaks out.
- ▶ Insert the drawer compartment.



## CAUTION

New water filters can contain suspended matter.

- ▶ Draw 3 l of water from the InfinitySpring and dispose of it.

▷ The water filter is now ready for use.

## 20 Connecting the appliance to the power supply



## WARNING

Danger of electric shock and injury due to damaged appliance or damaged mains cable!

Danger of cuts and fatal injuries. If the appliance or the mains cable is damaged during transport, you may be electrocuted. You could also cut yourself on damaged parts of the appliance housing.

- ▶ Check the appliance and the mains cable for damage after transport.
- ▶ Never put the appliance into operation if the appliance or the mains cable are damaged.
- ▶ Contact Customer Service.

You can connect your appliance to the mains using the power cable supplied separately. The mains power cable has an appliance coupler at one end and a mains plug at the other end.

Make sure that the following requirements are fulfilled:

- The appliance and power cable are undamaged.
- The appliance is installed in accordance with the regulations. (see 16 Installing the appliance in the recess)
- Requirements for the electrical connection are met. (see 2 Installation conditions)
- Dimensions for connection in accordance with regulations are known and observed.
- Mains voltage and frequency correspond to the specifications on the type plate.
- The socket is earthed according to the regulations and fused.
- The fuse tripping current is between 10 A and 16 A.
- The socket is easily accessible and is not behind the appliance. (see 4 Recess dimensions)

## NOTICE

Danger of damage to incorrect operation!

Damage to the electrical components of the appliance.

- ▶ Only use the supplied mains cable.



## WARNING

Danger of fire due to incorrect connection!

Burns.

Damage to the appliance.

- ▶ Do not use an extension cable.
- ▶ Do not use distributor blocks.

## NOTICE

Danger of damage to incorrect connection!

Damage to the appliance.

- ▶ Do not connect the appliance to a stand-alone inverter, e.g. solar power systems and petrol generators.

- ▶ Connect the mains plug of the power cable to the power supply.

▷ The Liebherr logo appears in the display.

▷ The display switches to the standby symbol.

▷ If no action occurs within 60 seconds: The standby symbol fades or disappears.

▷ The appliance is connected. For information regarding first use, see the following section or the operating instructions.



[home.liebherr.com/fridge-manuals](https://home.liebherr.com/fridge-manuals)

**EN** built-in fridges and freezers, fixed door

Issue date: 20240620

**Part number index: 7088411-00**

Liebherr-Hausgeräte GmbH  
Memminger Straße 77-79  
88416 Ochsenhausen  
Deutschland



## Installation Guide

Quality, Design and Innovation



[home.liebherr.com/fridge-manuals](http://home.liebherr.com/fridge-manuals)




# LIEBHERR


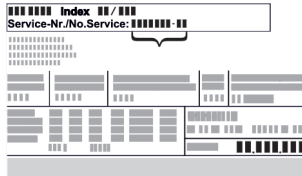




# General safety instructions

## Contents

|           |                                                         |           |
|-----------|---------------------------------------------------------|-----------|
| <b>1</b>  | <b>General safety instructions.....</b>                 | <b>2</b>  |
| <b>2</b>  | <b>Installation conditions.....</b>                     | <b>3</b>  |
| 2.1       | Location.....                                           | 3         |
| 2.2       | Installing multiple appliances.....                     | 3         |
| 2.3       | Mains connection.....                                   | 4         |
| <b>3</b>  | <b>Appliance dimensions.....</b>                        | <b>4</b>  |
| <b>4</b>  | <b>Recess dimensions.....</b>                           | <b>5</b>  |
| <b>5</b>  | <b>Ventilation requirements.....</b>                    | <b>6</b>  |
| <b>6</b>  | <b>Custom panel weights.....</b>                        | <b>6</b>  |
| <b>7</b>  | <b>Water connection*.....</b>                           | <b>6</b>  |
| 7.1       | Dimensions for the water connection.....                | 6         |
| 7.2       | Water pressure.....                                     | 7         |
| <b>8</b>  | <b>Transporting appliance.....</b>                      | <b>7</b>  |
| <b>9</b>  | <b>Unpacking the appliance.....</b>                     | <b>7</b>  |
| <b>10</b> | <b>Setting up the appliance.....</b>                    | <b>7</b>  |
| 10.1      | After installation.....                                 | 7         |
| <b>11</b> | <b>Disposing of packaging.....</b>                      | <b>7</b>  |
| <b>12</b> | <b>What the symbols mean.....</b>                       | <b>8</b>  |
| <b>13</b> | <b>*** freezer compartment door*.....</b>               | <b>9</b>  |
| 13.1      | Moving the door hinge.....                              | 9         |
| <b>14</b> | <b>Reversing the door.....</b>                          | <b>9</b>  |
| <b>15</b> | <b>Connecting the appliance to the water supply*..</b>  | <b>11</b> |
| 15.1      | Connecting the hose.....                                | 11        |
| 15.2      | Checking the water system.....                          | 12        |
| <b>16</b> | <b>Installing the appliance in the recess.....</b>      | <b>12</b> |
| <b>17</b> | <b>Cabinet fronts.....</b>                              | <b>19</b> |
| 17.1      | Dimensions.....                                         | 19        |
| 17.2      | Mounting the cabinet front(s).....                      | 19        |
| 17.3      | Setting the clearance to avoid collision.....           | 19        |
| <b>18</b> | <b>Water tank*.....</b>                                 | <b>20</b> |
| 18.1      | Inserting the water tank.....                           | 20        |
| <b>19</b> | <b>Water filter*.....</b>                               | <b>20</b> |
| 19.1      | Inserting the water filter.....                         | 20        |
| <b>20</b> | <b>Connecting the appliance to the power supply....</b> | <b>21</b> |

The manufacturer is continually working on the further development of all types and models. Please be aware that we reserve the right to make changes to the shape, equipment and technology.

| Symbol                                                                              | Explanation                                                                                                                                      |
|-------------------------------------------------------------------------------------|--------------------------------------------------------------------------------------------------------------------------------------------------|
|  | <b>Read instructions</b><br>Please read the information in these instructions carefully to understand all of the benefits of your new appliance. |

| Symbol                                                                              | Explanation                                                                                                                                                                                                                                                                                                                                                                                                                                                                                   |
|-------------------------------------------------------------------------------------|-----------------------------------------------------------------------------------------------------------------------------------------------------------------------------------------------------------------------------------------------------------------------------------------------------------------------------------------------------------------------------------------------------------------------------------------------------------------------------------------------|
|    | <b>Additional information on the Internet</b><br>The digital manual with additional information and in other languages can be found via the QR code on the front of the manual or by entering the service number at <a href="http://home.liebherr.com/fridge-manuals">home.liebherr.com/fridge-manuals</a> .<br>The service number can be found on the serial tag:<br><br><i>Fig. Example illustration</i> |
|    | <b>Check appliance</b><br>Check all parts for transport damage. If you have any complaints, please contact your agent or customer service.                                                                                                                                                                                                                                                                                                                                                    |
|    | <b>Differences</b><br>These instructions apply to a range of models, so differences are possible. Sections that apply to certain models only are marked with an asterisk (*).                                                                                                                                                                                                                                                                                                                 |
|   | <b>Instructions and results</b><br>Instructions are marked with a ▶.<br>Results are marked with a ▷.                                                                                                                                                                                                                                                                                                                                                                                          |
|  | <b>Videos</b><br>Videos about the appliances are available on the YouTube channels of Liebherr-Hausgeräte.                                                                                                                                                                                                                                                                                                                                                                                    |

## 1 General safety instructions

- Please keep this assembly manual in a safe place so you can refer back to it at any time.
- If you pass the appliance on, please hand this assembly manual to the next user.
- Read this assembly manual carefully before installation and use to ensure safe and correct use of the appliance. Follow the instructions, safety instructions and warning messages included at all times. They are important for ensuring you can operate and install the appliance safely and without any problems.
- First read the general safety instructions in the “General safety instructions” section of the **operating instructions**, which accompany these installation instructions, and follow them. If you cannot find the **operating instructions**, you can download the **operating instructions** from the internet by entering the service number at [home.liebherr.com/fridge-manuals](http://home.liebherr.com/fridge-manuals). The



service number can be found on the serial



tag:

- **Observe the warning messages and other detailed information in the other sections when installing the appliance:**

|  |         |                                                                                                                     |
|--|---------|---------------------------------------------------------------------------------------------------------------------|
|  | DANGER  | identifies a situation involving direct danger which, if not obviated, may result in death or severe bodily injury. |
|  | WARNING | identifies a dangerous situation which, if not obviated, may result in death or severe bodily injury.               |
|  | CAUTION | identifies a dangerous situation which, if not obviated, may result in minor or medium bodily injury.               |
|  | NOTICE  | identifies a dangerous situation which, if not obviated, may result in damage to property.                          |
|  | Note    | identifies useful instructions and tips.                                                                            |

## 2 Installation conditions

### WARNING

Fire hazard due to dampness!  
If live parts or the mains lead become damp this may cause short circuits.

- ▶ The appliance is designed for use in enclosed areas. Do not operate the appliance outdoors or in areas where it is exposed to splash water or damp conditions.

Intended use

- Install and use the appliance in indoor spaces only.
- Use the appliance only once installed.

### 2.1 Location

#### WARNING

Leaking coolant and oil!  
Fire. The coolant contained in the appliance is eco-friendly, but also flammable. The oil contained in the appliance is flammable. Escaping coolant and oil can ignite if the concentration is high enough and in contact with an external heat source.

- ▶ Do not damage the pipelines of the coolant circuit and the compressor.

- If the appliance is installed in a very humid environment, condensation can build up on the outside of the unit.

Always ensure good airflow and ventilation in the installation location.

- The more refrigerant there is in the appliance, the larger the space that it is installed in must be. If the space is too small, any leak may create a flammable mixture of gas and air. For every 8 g of refrigerant, the installation space must be at least 1 m<sup>3</sup>. Information regarding the coolant can be found on the serial tag inside the appliance.

#### 2.1.1 Supporting floor

- The floor of the installation site must be horizontal and even.
- If you are installing the unit in a cabinet standing on an uneven floor: level the cabinet.

#### 2.1.2 Positioning

- Do not install the appliance in direct sunlight or near radiators or similar sources of heat.
- You can install the appliance directly next to an oven.
- If the appliance is installed directly next to an oven, the energy consumption may increase slightly. This is dependent on the service life and usage intensity of the oven.
- Only fit the appliance into solid kitchen units.

#### Note

Please contact Customer Services to acquire a kit to limit the door opening angle to 90° for appliances with soft close mechanisms.\*

## 2.2 Installing multiple appliances

The appliances have been developed for different installation methods. If you wish to install several appliances next to each other or on top of each other, ensure that the following requirements are met:

- Only install appliances next to or on top of each other if they have been developed for this.
- Observe notices and the following table.

#### NOTICE

Risk of damage due to condensate!

- ▶ Do not place the appliance directly next to another cooling/refrigeration unit.

#### NOTICE

Risk of damage due to condensation!

- ▶ Do not place the appliance directly on top of another cooling/refrigeration unit.

| Model                                                                                                                                                                     | Installation method  |
|---------------------------------------------------------------------------------------------------------------------------------------------------------------------------|----------------------|
| All models                                                                                                                                                                | Standalone           |
| Models with a model designation starting with <b>S...</b>                                                                                                                 | Side-by-Side (SBS)   |
| Models up to a maximum niche height of 880 mm and with a heated ceiling can be installed "on top of each other".<br>Top appliance: up to a maximum niche height of 140 mm | On top of each other |

*Models and their installation method*

# Appliance dimensions



Fig. 1  
Install each appliance into a separate unit niche.

## 2.3 Mains connection



### WARNING

Danger of fire due to incorrect positioning!  
If the mains cable or plug touches the back of the appliance, the vibration can damage the mains cable or the plug resulting in a short circuit.

- ▶ Make sure the mains cable is not trapped under the appliance when you position the appliance.
- ▶ Stand the appliance so that it is not touched by connectors or main cables.
- ▶ Do not connect any appliances to sockets in the area of the back of the appliance.
- ▶ Do **not** place and operate multi-sockets/power distributors and other electronic devices (such as halogen transformers) at the back of the appliances.

## 3 Appliance dimensions

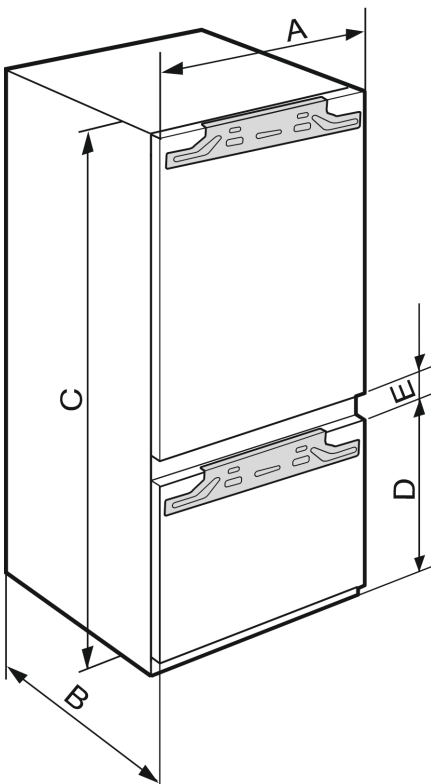


Fig. 2

|                   | A (mm) | B (mm) | C (mm) | D (mm) | E (mm) |
|-------------------|--------|--------|--------|--------|--------|
| ICB.. 51..2       | 559    | 546    | 1770   | 549    | 15     |
| IC.. 51..3        |        |        |        |        |        |
| S/ICN.. 51..3     |        |        |        |        |        |
| ICBN.. 51..3      |        |        |        |        |        |
| ICBN.. 51..3      |        |        |        |        |        |
| IC/B/N/bsci 51..  | 559    | 546    | 1770   | 695    | 15     |
| IKG 51Ve03 / IKGN |        |        |        |        |        |
| 51Vc03 / IKGN     |        |        |        |        |        |
| 51Ve03 / IKGBN    |        |        |        |        |        |
| 51Vd23i           | 559    | 546    | 1770   | 1938   | 15     |
| ICN..56..3        |        |        |        |        |        |
| ICBN...56..3      | 559    | 546    | 1770   | 1938   | 15     |
| ICBN...56..3      |        |        |        |        |        |

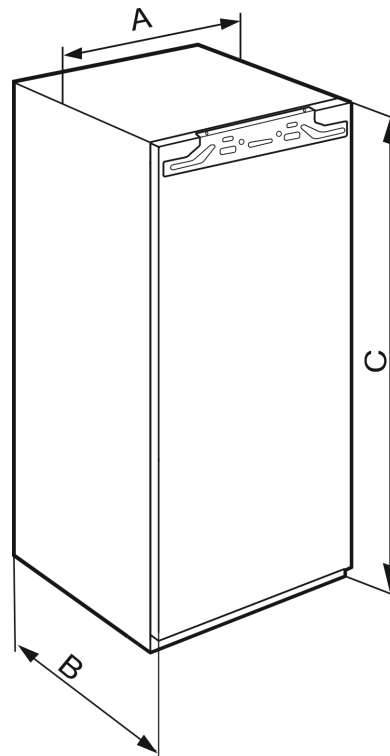


Fig. 3

## Recess dimensions

|                                                                                                                                                                                   | A (mm) | B (mm) | C (mm) |
|-----------------------------------------------------------------------------------------------------------------------------------------------------------------------------------|--------|--------|--------|
| IFN 35..                                                                                                                                                                          | 559    | 546    | 712    |
| IR.. 39..<br>SIBai 39..<br>SIBa20i 39..<br>S/IF/N.. 39..                                                                                                                          |        |        | 872    |
| IR.. 40..<br>IRB.. 40..                                                                                                                                                           |        |        | 1022   |
| IR.. 41..<br>IRB.. 41..<br>IRBbsbi 41..<br>SIFN.. 41..                                                                                                                            |        |        | 1213   |
| IR.. 45..<br>IRB.. 45..<br>IRBbsbi 45..<br>SIFN.. 45..                                                                                                                            |        |        | 1395   |
| IRB.. 48..                                                                                                                                                                        |        |        | 1572   |
| IR.. 51..<br>IRD.. 51..<br>IRB.. 51..<br>IRBbsci 51..<br>IRBP.. 51..<br>IRBPbsci 51..<br>SIFN.. 51..<br>SIFN.. 51..<br>IK 51Ve00 / IK<br>51Ve01 / IKB<br>51Vc50i / IKB<br>51Vc51i |        |        | 1770   |

Observe the following information for devices with a fixed water connection:

- Water connection (see 7 Water connection\*)
- Connecting the device to the water supply (see 15 Connecting the appliance to the water supply\*)

| IFN..(i) 35.. |                           |
|---------------|---------------------------|
| <b>F (mm)</b> | 714 to 730                |
| <b>G (mm)</b> | 560 to 570                |
| <b>H (mm)</b> | min. 550, recommended 560 |
| <b>J (mm)</b> | min. 500                  |
| <b>L (mm)</b> | max. 19                   |

| IFN..(i) 39.. / IR..(i) 39.. / SIBa20i 3905 / SIFN..i 39.. |                           |
|------------------------------------------------------------|---------------------------|
| <b>F (mm)</b>                                              | 874 to 890                |
| <b>G (mm)</b>                                              | 560 to 570                |
| <b>H (mm)</b>                                              | min. 550, recommended 560 |
| <b>J (mm)</b>                                              | min. 500                  |
| <b>L (mm)</b>                                              | max. 19                   |

| IR(B)..(i) 40.. |                           |
|-----------------|---------------------------|
| <b>F (mm)</b>   | 1024 to 1040              |
| <b>G (mm)</b>   | 560 to 570                |
| <b>H (mm)</b>   | min. 550, recommended 560 |
| <b>J (mm)</b>   | min. 500                  |
| <b>L (mm)</b>   | max. 19                   |

| IR(B)..(i) 41.. / IRBbsbi 4170 / SIFN..i 41.. |                           |
|-----------------------------------------------|---------------------------|
| <b>F (mm)</b>                                 | 1216 to 1236              |
| <b>G (mm)</b>                                 | 560 to 570                |
| <b>H (mm)</b>                                 | min. 550, recommended 560 |
| <b>J (mm)</b>                                 | min. 500                  |
| <b>L (mm)</b>                                 | max. 19                   |

| IR(B)..(i) 45.. / IRBbsbi 4570 / SIFN..i 45.. |                           |
|-----------------------------------------------|---------------------------|
| <b>F (mm)</b>                                 | 1397 to 1413              |
| <b>G (mm)</b>                                 | 560 to 570                |
| <b>H (mm)</b>                                 | min. 550, recommended 560 |
| <b>J (mm)</b>                                 | min. 500                  |
| <b>L (mm)</b>                                 | max. 19                   |

| IRB..i 48..   |                           |
|---------------|---------------------------|
| <b>F (mm)</b> | 1574 to 1590              |
| <b>G (mm)</b> | 560 to 570                |
| <b>H (mm)</b> | min. 550, recommended 560 |
| <b>J (mm)</b> | min. 500                  |
| <b>L (mm)</b> | max. 19                   |

## 4 Recess dimensions

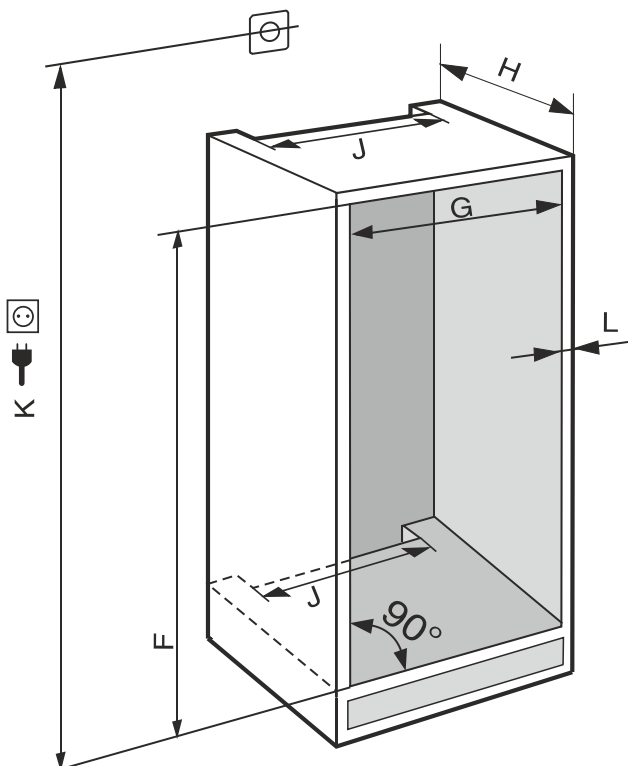


Fig. 4 (K): max. 2100 mm

# Ventilation requirements

|                                                                                                                                                                                                                                                                                 |                           |
|---------------------------------------------------------------------------------------------------------------------------------------------------------------------------------------------------------------------------------------------------------------------------------|---------------------------|
| IC(B)(N)..(i) 51.. / ICBnbsci 5173 / IKG 51Ve03 / IKGn 51Vc03 / ICNbsci 5173 / IKGn 51Ve03 / IR(B)(P)..(i) 51.. / IRD..i 51.. / IRBbsci 5170 / IRBbsci 5171 / IRBPbsci 5170 / IKB 51Vc50i / IKB 51Vc51i / IK 51Ve00 / IK 51Ve01 / SICN..i 51.. / SIFN..(i) 51.. / SIFNbsdi 51.. |                           |
| <b>F (mm)</b>                                                                                                                                                                                                                                                                   | 1772 to 1788              |
| <b>G (mm)</b>                                                                                                                                                                                                                                                                   | 560 to 570                |
| <b>H (mm)</b>                                                                                                                                                                                                                                                                   | min. 550, recommended 560 |
| <b>J (mm)</b>                                                                                                                                                                                                                                                                   | min. 500                  |
| <b>L (mm)</b>                                                                                                                                                                                                                                                                   | max. 19                   |

The specified energy consumption was determined with a kitchen unit depth of 560 mm. The appliance will work properly at a kitchen unit depth of 550 mm, but with a slightly higher energy consumption.

- ▶ Check the wall thickness of adjacent cabinets: They must have a minimum of 16 mm.
- ▶ Only fit the appliance into stable, solid kitchen units. Secure the unit against tipping.
- ▶ Align the cabinets with a spirit level and a try square. If necessary, level them by putting something underneath them.
- ▶ Make sure floor and the side panels of the cabinet are at right angles to each other.

## 5 Ventilation requirements

### NOTICE

Covered vents!

Damage. Appliance can overheat, which can reduce the service life of various parts of the appliance and lead to operational impairments.

- ▶ Always make sure there is good ventilation.
- ▶ Always keep vents or ventilation grids in the appliance housing and in the kitchen furniture (fully integrated appliance) unobstructed.
- ▶ Always keep the fan air vents unobstructed.

Always follow the required ventilation gaps:

- The depth of the ventilation shaft at the back of the cabinet must be at least 38 mm.
- At least 200 cm<sup>2</sup> is required for the ventilation gap cross sections in the plinth and the housing cabinet.
- As a rule, the larger the ventilation cross-section, the more efficiently the appliance will run.

Sufficient ventilation is required for the operation of the appliance. The ventilation grids provided ensure an effective ventilation cross-section on the appliance of 200 cm<sup>2</sup>. If you replace the ventilation grids with a cover plate the ventilation cross-section must be as least as large as the ventilation grid provided by the manufacturer.

## 6 Custom panel weights

### NOTICE

An excessively heavy custom panel can potentially cause damage!

If the custom panel is too heavy, damage to the hinges cannot be ruled out, which may compromise the functionality of the unit.

- ▶ Before fitting the custom panel, ensure the custom panel does not exceed the permissible weight.

| Recess height (mm)* | Maximum weight of custom panel (kg)* |
|---------------------|--------------------------------------|
| 720                 | 16                                   |
| 880                 | 16                                   |
| 1020                | 13                                   |
| 1220                | 19                                   |
| 1400                | 21                                   |
| 1580                | 22                                   |
| 1780                | 26                                   |

Single-door fridges and freezers

| Niche height (mm)* | Maximum weight of custom panel (kg)* |                           |
|--------------------|--------------------------------------|---------------------------|
|                    | Fridge compartment door*             | Freezer compartment door* |
| 1780               | 18                                   | 12                        |

Customising combinations

## 7 Water connection\*

If your appliance has a fixed water connection, a hose is supplied with it.

### Note

You can purchase a hose of a different length as an accessory.

|                                                  |                                                        |
|--------------------------------------------------|--------------------------------------------------------|
| Overview of dimensions for the water connection: | (see 7.1 Dimensions for the water connection)          |
| Requirements for the water pressure:             | (see 7.2 Water pressure)                               |
| Make the water connection:                       | (see 15 Connecting the appliance to the water supply*) |

### 7.1 Dimensions for the water connection

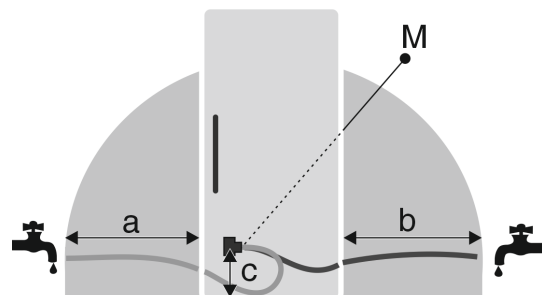


Fig. 5

- (a) Maximum available hose length\*
- (b) Maximum available hose length\*
- (c) Distance of solenoid valve to floor\*
- (M) Solenoid valve\*

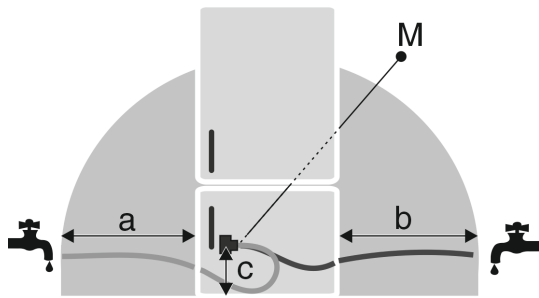


Fig. 6

- (a) Maximum available hose length\*
- (b) Maximum available hose length\*
- (c) Distance of solenoid valve to floor\*
- (M) Solenoid valve\*

| a         | b         | c       |
|-----------|-----------|---------|
| ~ 1200 mm | ~ 1200 mm | ~ 55 mm |

## 7.2 Water pressure

The water connection line and solenoid valve of the appliance are suitable for a water pressure of up to 1 MPa (10 bar).

To ensure that the appliance functions correctly (flow rate, ice cube size, noise level), maintain the following water pressure:

| Water pressure: |              |
|-----------------|--------------|
| bar             | MPa          |
| 1.5 to 6.2      | 0.15 to 0.62 |

| Water pressure when using the water filter:* |              |
|----------------------------------------------|--------------|
| bar*                                         | MPa*         |
| 2.8 to 6.2                                   | 0.28 to 0.62 |

If the pressure is higher than 6.2 bar:

- ▶ Fit a pressure reducer.
- ▶ Make the water connection. (see 15 Connecting the appliance to the water supply\*)

## 8 Transporting appliance

**Note when transporting the appliance:**

- ▶ Transport the appliance upright.
- ▶ Use two people to transport the appliance.

**During first use:**

- ▶ Transport the appliance packaged.

**When transporting appliances after initial commissioning (e. g. moving or cleaning):**

- ▶ Empty the appliance.
- ▶ Secure the door against unintentional opening.

## 9 Unpacking the appliance

Before you connect the appliance, report any damage immediately to the delivery company.

- ▶ Check the appliance and the packaging for damage during transport. Contact the supplier immediately if you suspect any level of damage.
- ▶ Remove all materials from the back or the side walls of the appliance that may prevent proper installation or ventilation.
- ▶ Remove all protective films from the appliance. Do not use sharp or pointed objects for this.

## 10 Setting up the appliance



### CAUTION

Risk of injury due to heavy appliance!

- ▶ Have two people transport the appliance to its installation site.



### WARNING

Danger of injury and damage due to the appliance being unstable!

The appliance can topple over.

- ▶ Secure the appliance as described in the instructions.



### WARNING

Fire hazard and danger of damage!

- ▶ Do not place appliances emitting heat e.g. microwaves, toasters etc. on the appliance!

If possible, have the appliance installed in the kitchen unit by a professional.

Do not install the appliance on your own.

### 10.1 After installation

- ▶ Remove all transport safety components.

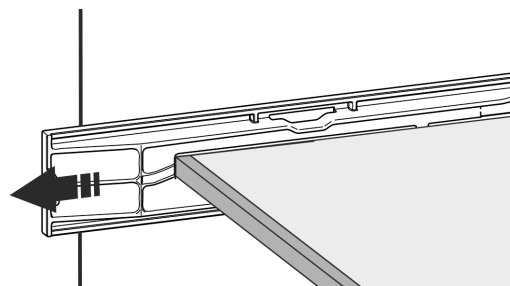
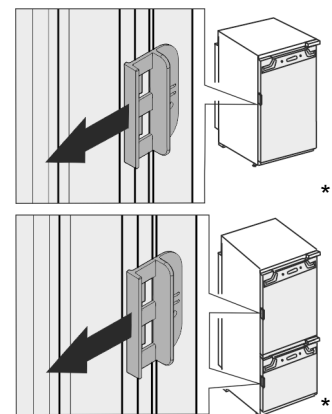


Fig. 7\*



- ▶ Pull off the transport lock on the appliance door.

- ▶ Clean the appliance (see User Guide, Cleaning the appliance).

## 11 Disposing of packaging



### WARNING

Danger of suffocation due to packing material and plastic film!












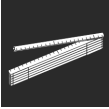
- ▶ Do not allow children to play with packing material.











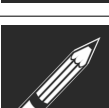


# What the symbols mean

The packaging is made of recyclable materials:

- corrugated board/cardboard
  - expanded polystyrene parts
  - polythene bags and sheets
  - polypropylene straps
  - nailed wooden frame with polyethylene panel\*
- Take the packaging material to an official collecting point.

## 12 What the symbols mean

|                                                                                     |                                                                                                       |
|-------------------------------------------------------------------------------------|-------------------------------------------------------------------------------------------------------|
|    | Risk of injury here! Follow the safety notes!                                                         |
|    | These instructions apply to a range of models. Follow this step only if it applies to your appliance. |
|    | To install, please follow the detailed description in the Guide.                                      |
|    | This section applies either to a single-door appliance or a double-door appliance.                    |
|  | Choose one of the options: Appliance with right-hinged door or appliance with left-hinged door.       |
|  | Installation step required if your model has IceMaker and/or InfinitySpring.                          |
|  | Just loosen the screws or tighten them slightly.                                                      |
|  | Tighten the screws.                                                                                   |
|  | Check to see if the next step applies for your model.                                                 |
|  | Check the correct assembly/seat of the components used.                                               |
|  | Measure the specified measurement and adjust if necessary.                                            |
|  | Tool for assembly: Metre rule                                                                         |

|                                                                                     |                                                                       |
|-------------------------------------------------------------------------------------|-----------------------------------------------------------------------|
|    | Tool for assembly: Cordless screwdriver and attachments               |
|   | A lengthwise bit insert is recommended for good access to the screws. |
|    | Tool for assembly: Spirit level                                       |
|    | Tool for assembly: Size 7 and size 10 spanners                        |
|    | Two people are required for this step.                                |
|   | Carry out this step at the marked place on the appliance.             |
|   | Aids for assembly: String                                             |
|  | Aids for assembly: Square                                             |
|  | Aids for assembly: Screwdriver                                        |
|  | Aids for assembly: Scissors                                           |
|  | Aids for assembly: Non-permanent marker pen                           |
|  | Accessory kit: Remove components                                      |
|  | Dispose of components that are no longer needed.                      |



## 13 \*\*\*\* freezer compartment door\*

It is very easy to reposition the hinge of the \*\*\*\* freezer compartment door if the main door hinge is swapped. If the main door of the appliance can be opened to more than 115° (1), you can open the freezer compartment without repositioning the hinge. If the opening angle (2) of the appliance door is less than this, the hinge must be repositioned.

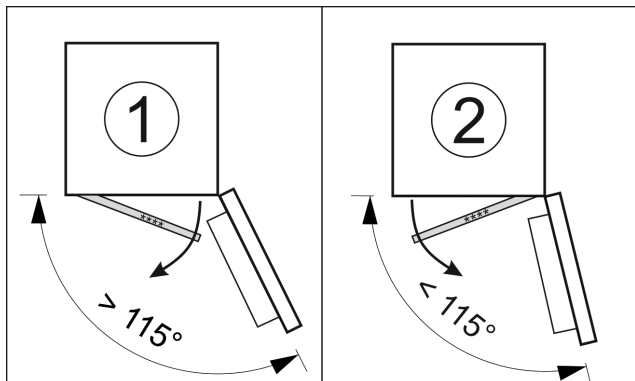


Fig. 8

### 13.1 Moving the door hinge

The slider for moving the door hinge is located on the back of the \*\*\*\* freezer compartment door at the bottom.

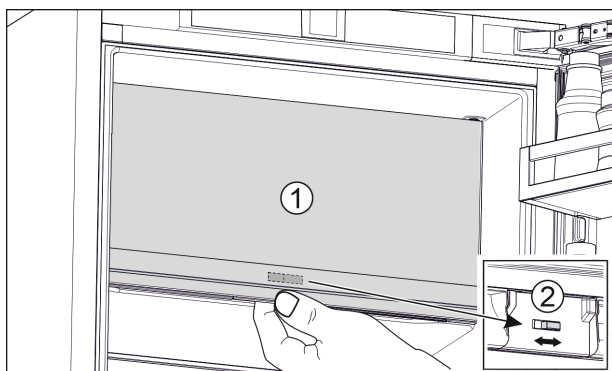


Fig. 9

- ▶ Close the \*\*\*\* freezer compartment door (1).
- ▶ Grab the \*\*\*\* freezer compartment door from below.
- ▶ Move the slider (2) either to the right or to the left.

## 14 Reversing the door

Tool

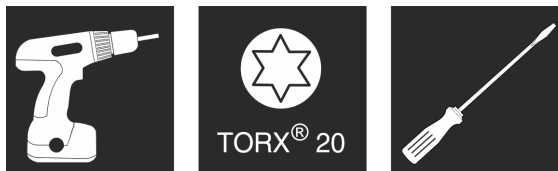


Fig. 10

### NOTICE

- Live parts!  
Damage to electrical components.
- ▶ Remove the mains plug before you reverse the door.



Fig. 11 \*

- ▶ Removing the soft stop damper: Remove the soft stop damper from the ball stud (1). Unscrew the retainer (2). Remove the ball stud with a screwdriver (3).\*

### Note

If the closing damper is only slightly above the floor, you can only remove the ball pins when the door is removed.\*



Fig. 12

- ▶ Remove covers.

### Note

When removing the covers, ensure that the surface does not get scratched.

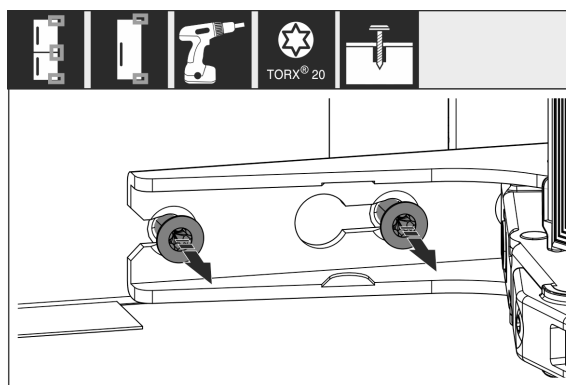


Fig. 13

- ▶ Loosen the screws on **all** hinges but do not remove them.

# Reversing the door



Fig. 14

- Removing the door: Push the door forward and then out, unhang it and put it to one side.



Fig. 17

- Shift the screws to fasten the hinge. Do not screw tightly after shifting – you need to hang the hinges later.

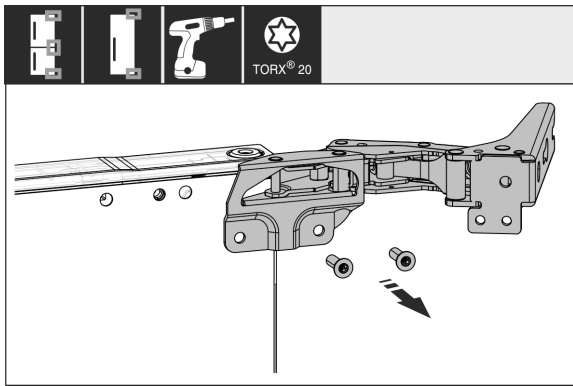


Fig. 15

- Unscrew all hinges and set aside together with the screws.

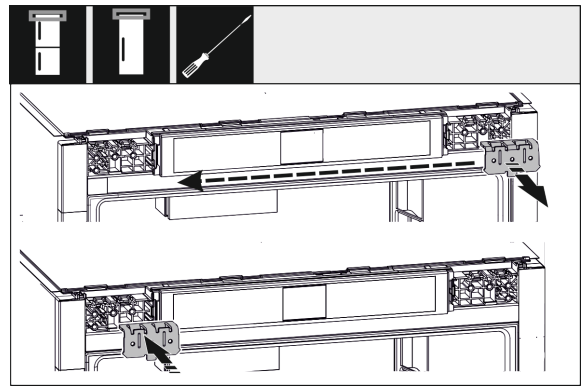


Fig. 18

- Move the fixing bracket to the opposite side.



Fig. 16

- Loosen and shift the bracket at the top and bottom of the door. The bracket must be shifted so you can screw on the hinges.

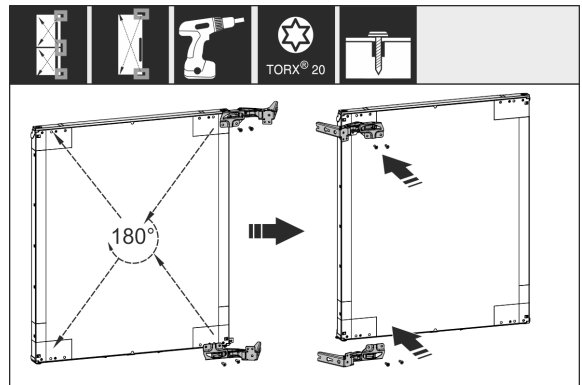


Fig. 19

- Turn all hinges 180° to the opposite side and screw firmly.

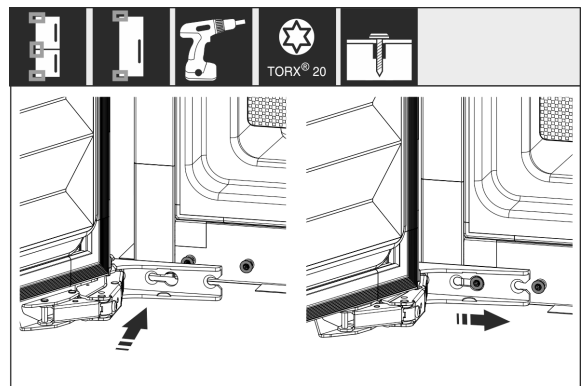


Fig. 20

- Refitting the door: Hang the door with its hinges and tighten the screws.

# Connecting the appliance to the water supply\*



Fig. 21 \*

- ▶ Refitting the closing dampers: Screw in the ball studs (1), tighten the bracket (2) and hang the closing dampers in the ball studs.\*
- ▶ Check all screws and retighten if necessary.



Fig. 22

- ▶ Reassemble the bottom and centre cover. Only replace the remaining covers after installing the appliance back into the cabinet.

## 15 Connecting the appliance to the water supply\*

Make sure that the following requirements are fulfilled:

- The dimensions for the water supply connection are known and complied with. (see 7.1 Dimensions for the water connection)
- The correct water pressure is maintained. (see 7.1 Dimensions for the water connection)
- Water is supplied to the appliance via a cold water pipe which can withstand the operating pressure and is connected to the drinking water supply.
- All equipment and devices used to supply water must comply with the regulations in force in the respective country.
- The rear of appliance is accessible so that you can connect the appliance to the drinking water supply.
- The supplied hose is used. Old hoses have been disposed of.
- The hose connector contains a filter with a seal.
- There is a tap between the hose line and the domestic water connection so that you can turn off the water supply if necessary.
- The tap is not directly behind the appliance and is easily accessible. This way, you can push the appliance as far as possible into the cabinet recess and can quickly turn off the tap if necessary.

### WARNING

Risk of electric shock from water!

- ▶ Before connecting to the water pipe: Disconnect the appliance from the mains.
- ▶ Before connecting to water supply lines: Shut off the water supply.
- ▶ Make sure that only qualified personnel connect the device to the drinking water supply.

### WARNING

Risk of poisoning due to contaminated water!

- ▶ Only connect to the drinking water supply.

## 15.1 Connecting the hose

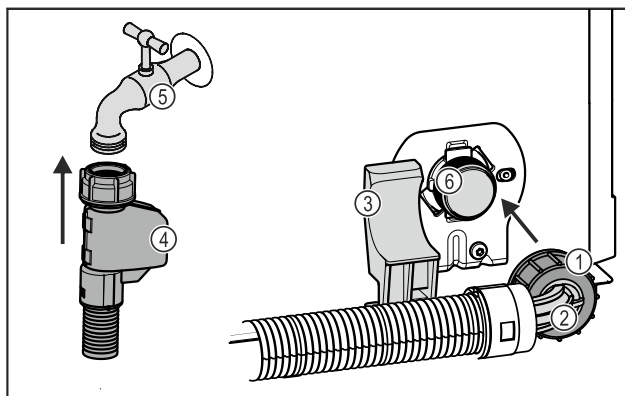


Fig. 23

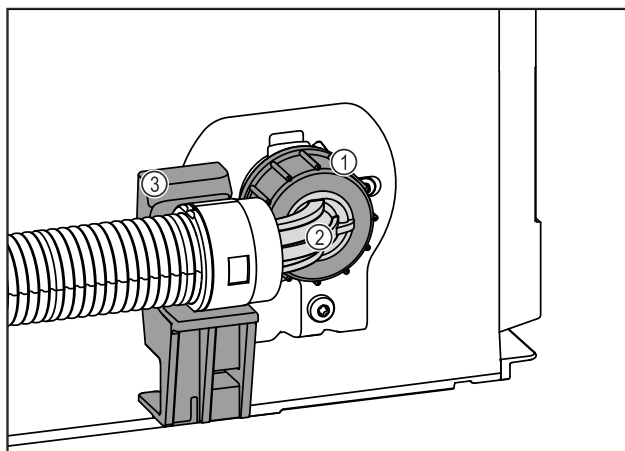


Fig. 23

- (1) Nut
- (2) Angled hose end
- (3) Bracket
- (4) Straight hose end
- (5) Tap
- (6) Solenoid valve: The solenoid valve is at the bottom on the back of the appliance. It has an R3/4 connecting thread.

### NOTICE

Risk of damage from incorrect installation!

- ▶ Do not damage or kink the hose.
- ▶ Do not damage or kink the hose during installation in the cabinet recess.

### Connecting the hose to the appliance:

- ▶ Position and hold the angled hose end Fig. 23 (2) horizontally on the bracket Fig. 23 (3).
- ▶ Screw on the nut Fig. 23 (1) on by hand until it is firmly in place.

# Installing the appliance in the recess

▷ The hose is connected to the appliance.

### Connecting the hose to the tap:

- ▶ Connect the straight hose end *Fig. 23 (4)* to the tap *Fig. 23 (5)*.
- ▷ The hose is connected to the tap.

## 15.2 Checking the water system

Before you completely install the appliance in the cabinet recess, Liebherr recommends checking the water system for leaks.

- ▶ Put in the InfinitySpring water tank. (see 18 Water tank\*)
- \* Put in the InfinitySpring water filter. (see 19 Water filter\*)
- ▶ Slowly turn on the tap.
- ▶ Check the hose, water feed and connections for leaks.
- ▷ The water system has now been checked for leaks.
- ▷ The water system is not leaking: You can install the appliance completely in the cabinet recess.

### Note

**InfinitySpring:** Before the first use, you must put the InfinitySpring into operation. To do this you must bleed and clean the water system. (see Quick Start Guide or operating instructions)\*

**IceMaker:** Before the first use, you must clean the IceMaker. (see Quick Start Guide or operating instructions)\*

## 16 Installing the appliance in the recess

### Tool

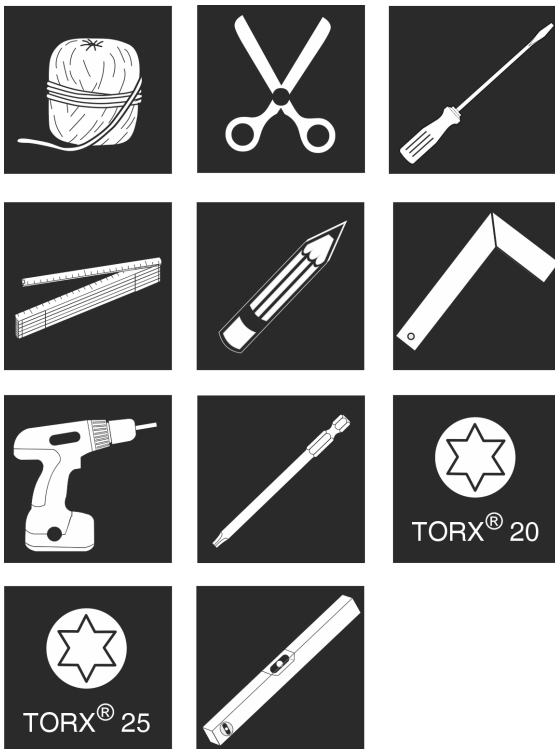


Fig. 24

### Supplied assembly parts

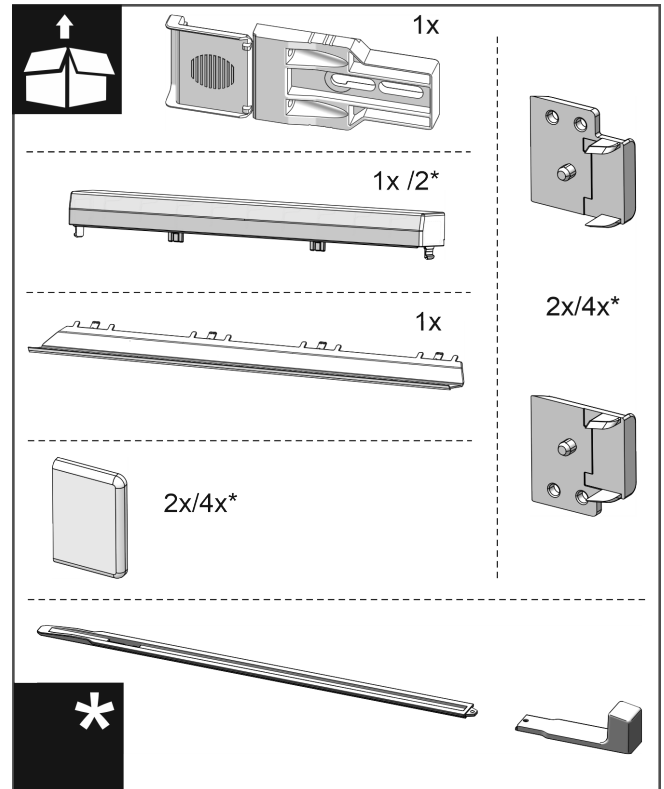


Fig. 25

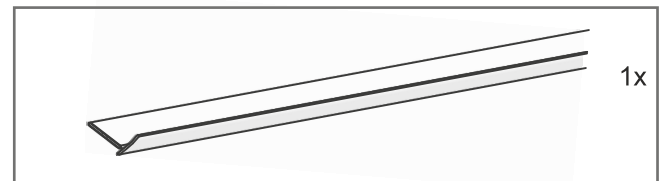


Fig. 26

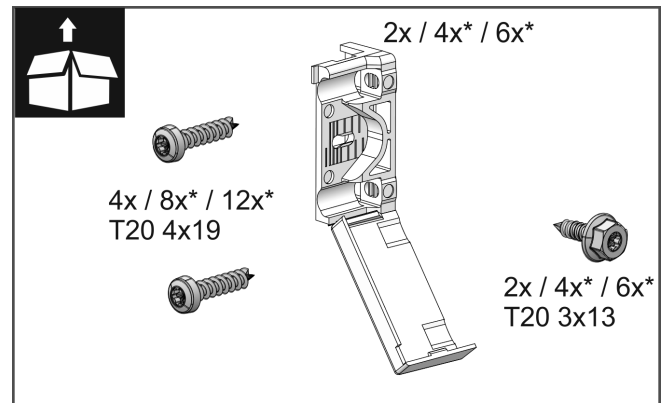


Fig. 27

# Installing the appliance in the recess

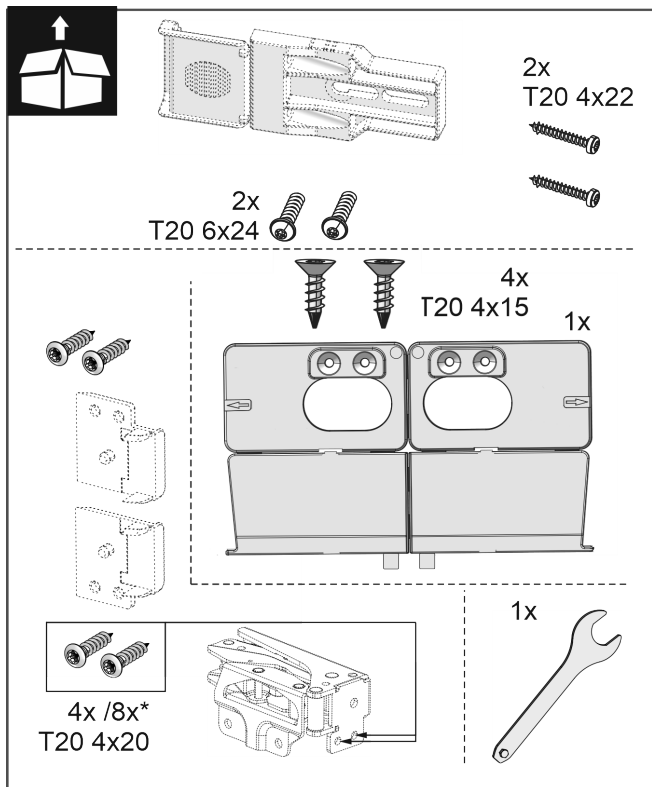


Fig. 28

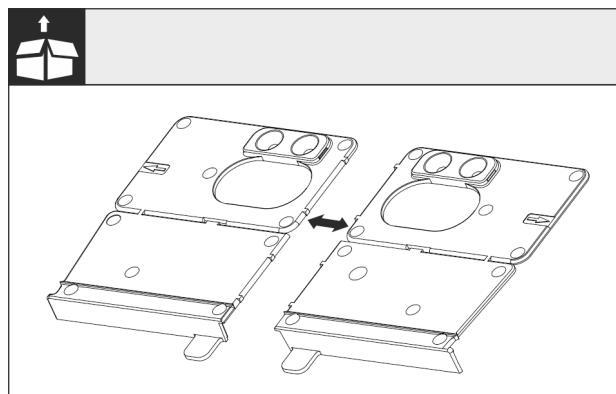


Fig. 29

- ▶ Disconnect the base installation bracket at the perforation.

## NOTICE

Correct installation depth of the appliance.

- ▶ Using the mounting bracket ensures the correct installation depth of the appliance.

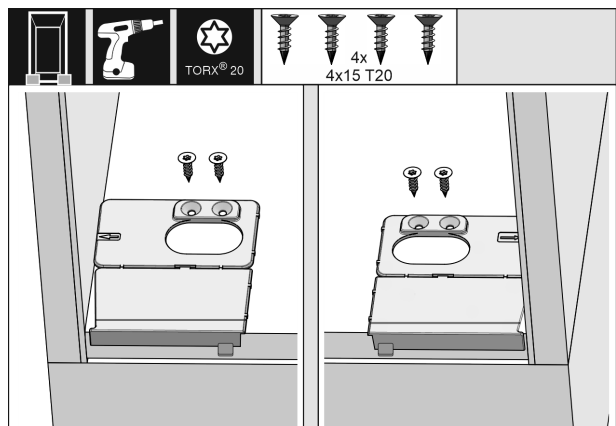


Fig. 30

- ▶ Screw the mounting brackets on the left and right of the recess floor, flush to the side wall.

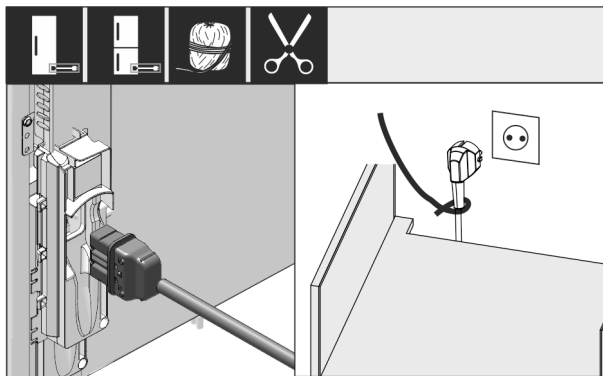


Fig. 31

- ▶ Remove the mains cable from the package.
- ▶ Plug the mains cable's IEC socket completely into the appliance plug on the back of the appliance. Ensure that the IEC socket is tight.
- ▶ Use a cord to lay the mains plug to a freely accessible socket.

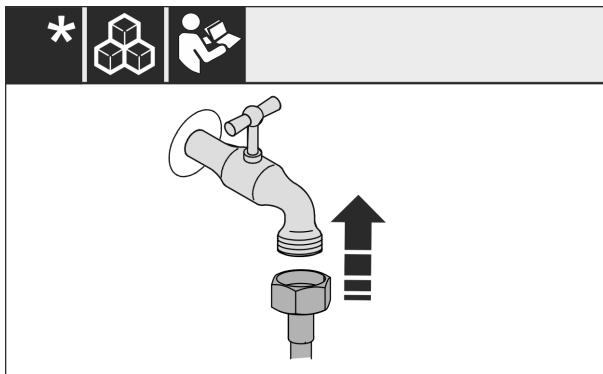


Fig. 32 \*

- ▶ If necessary, install the water connection at this point, following the instructions in the User Guide.\*

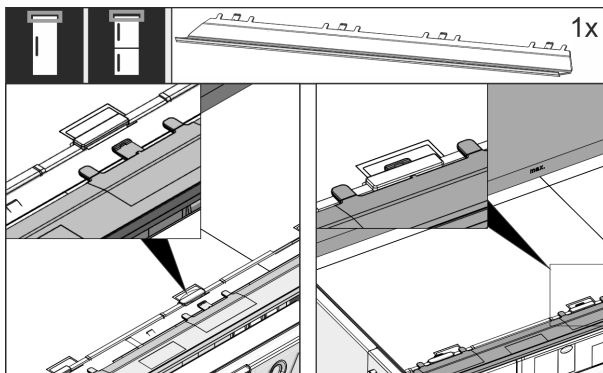


Fig. 33

- ▶ Insert the adapter panel on the top of the appliance. The panel can be moved to both sides.



# Installing the appliance in the recess

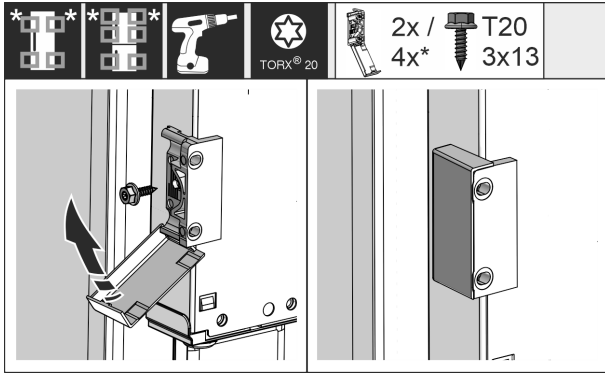


Fig. 34

- ▶ Fit the mounting bracket. Attach the mounting bracket at the height of the custom door panel handle. For a large door, use four mounting brackets.
- ▶ After assembly, fold the covers onto the bracket.

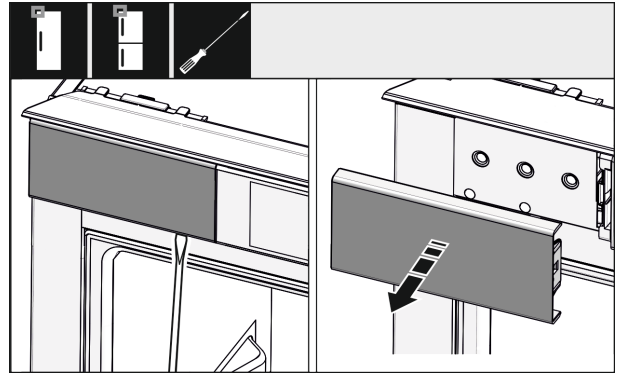


Fig. 38

- ▶ Use a screwdriver to loosen the cover at the top left and remove it.

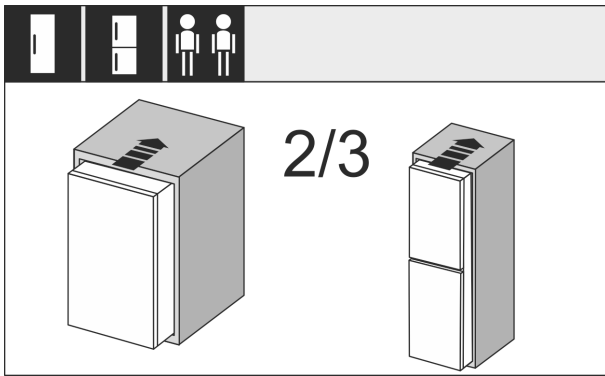


Fig. 35

- ▶ Insert the appliance 2/3 of the way into the recess.

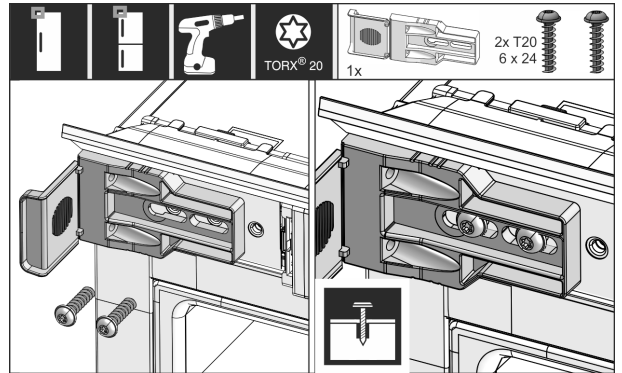


Fig. 39

- ▶ Loosely tighten the mounting bracket screw. The bracket should still be easy to move.

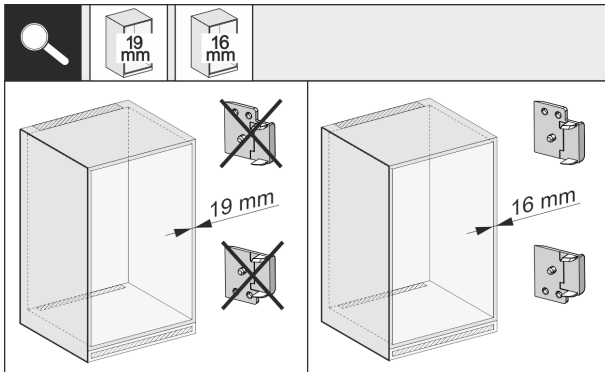


Fig. 36

- ▶ Check whether the unit side wall is 16 mm or 19 mm thick.

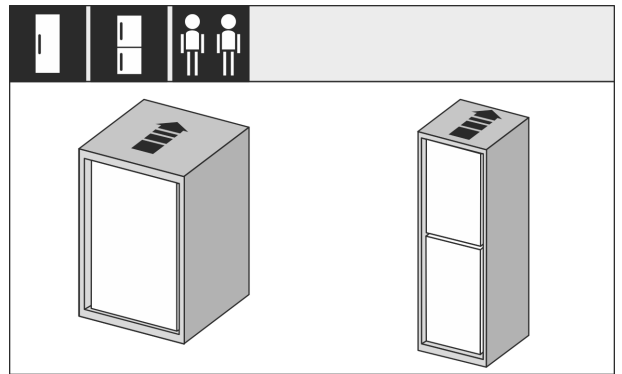


Fig. 40

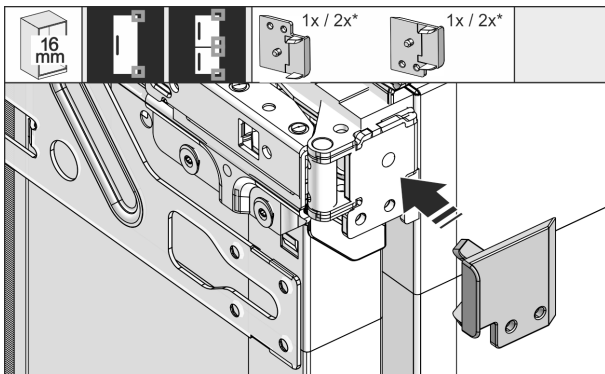


Fig. 37

- ▶ 16 mm thick unit side walls: Put a spacer on all hinges.
- ▶ 19 mm thick unit side walls: You do not need a spacer.

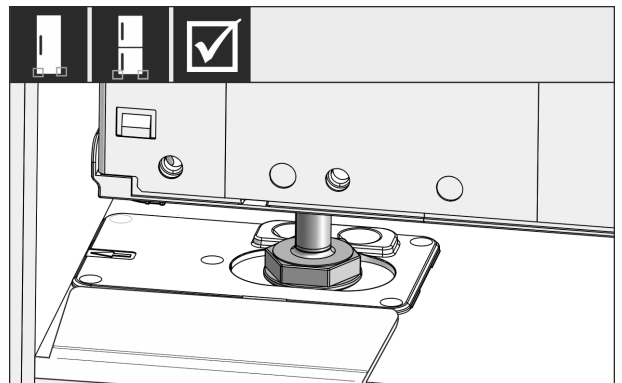


Fig. 41



# Installing the appliance in the recess

## WARNING

Risk of fire due to short circuit!

- ▶ When you push the appliance into the niche: do not kink, jam or damage the mains cable.
- ▶ The appliance must not be operated with a defective mains cable.

- ▶ Push the appliance all the way into the unit recess. The adjustable feet must rest in the recesses in the brackets on both sides.



Fig. 42

- ▶ Remove the floor mounting bracket stopper. Loosen the stopper by moving it and, if necessary, pull it off using pliers.

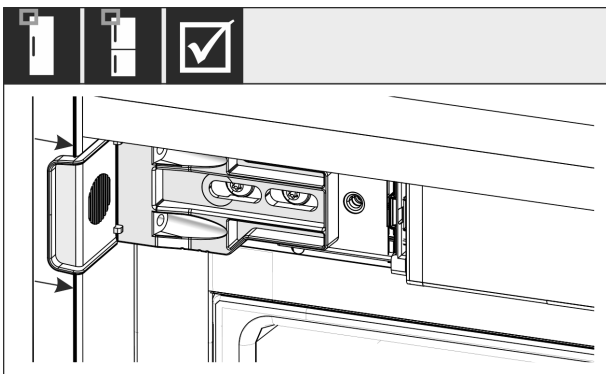


Fig. 43

- ▶ Check that the appliance is flush in the cabinet recess. The mounting bracket must be attached to the side wall of the cabinet recess.

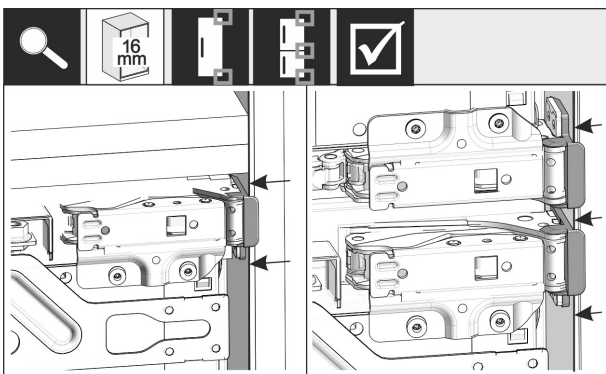


Fig. 44

### Note

With 16 mm unit side walls, the spacers fit against the unit recess on the hinge side.

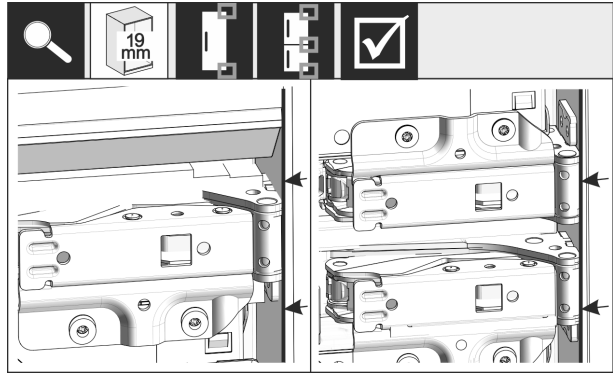


Fig. 45

- ▶ 19 mm thick unit side walls: Align the front of the hinges flush with the unit side wall.

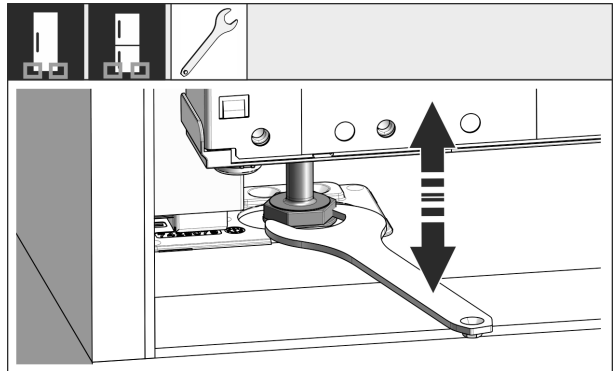


Fig. 46

- ▶ If necessary, use the adjustable feet to correct the tilt of the appliance.

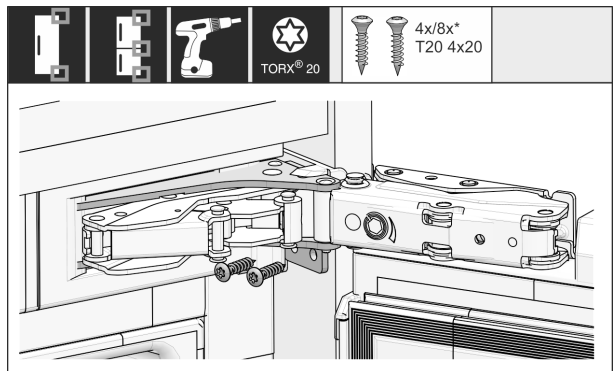


Fig. 47

- ▶ Screw on the appliance on the hinge side.

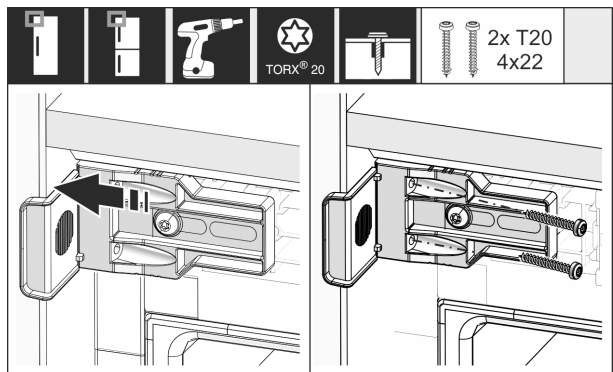


Fig. 48

- ▶ Move the bracket so it sits flush on the side wall of the cabinet recess.
- ▶ Tighten all the screws securely.

# Installing the appliance in the recess

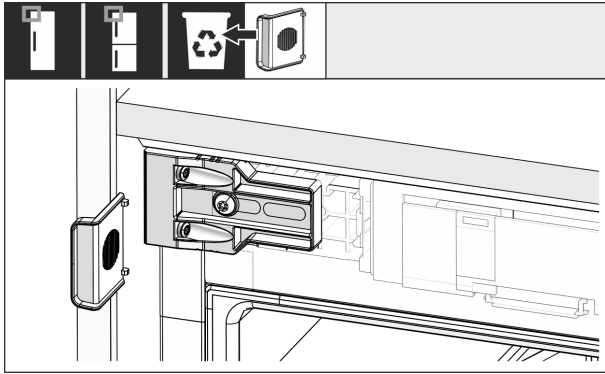


Fig. 49

- ▶ Remove the stop from the bracket on the handle side and dispose of it.

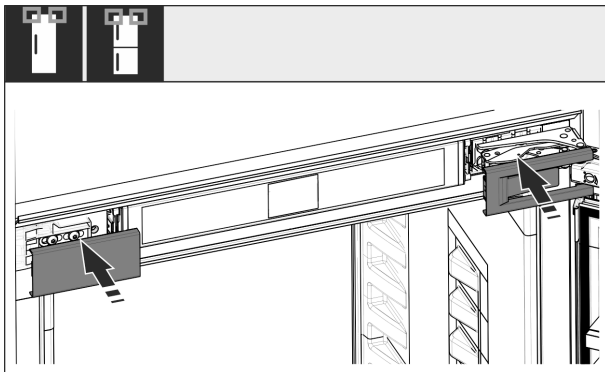


Fig. 50

- ▶ Put covers into position.

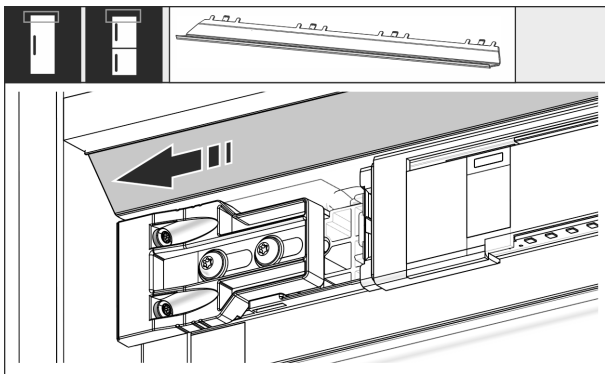


Fig. 51

- ▶ Slide the panel so that it sits flush with the side of the cabinet wall.

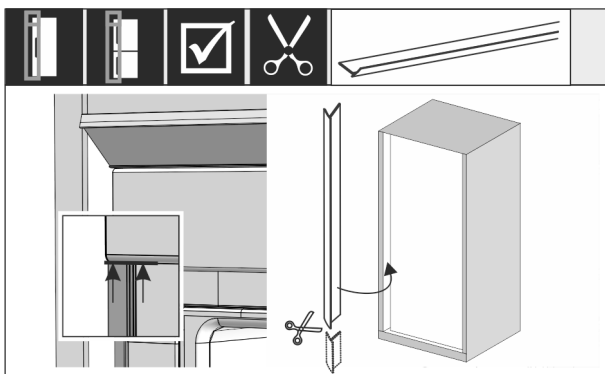


Fig. 52

- ▶ If necessary: Shorten the sealing strip as necessary with a sharp pair of scissors.
- ▶ Position the sealing strip below the top cover and press it in. The sealing strip is magnetic.

**From a niche height of 1400 mm, install levelling rails:**



Fig. 53

You must install levelling rails under the appliance from a niche height of 1400 mm. The levelling rails **reduce the noise level**. Two levelling rails and an installation handle are enclosed as standard from a niche height of 1400 mm.

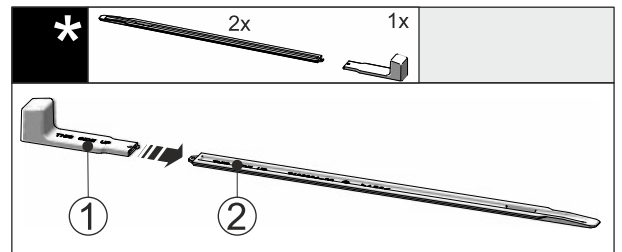


Fig. 54

- ▶ Attach the installation handle Fig. 54 (1) to the levelling rail Fig. 54 (2).

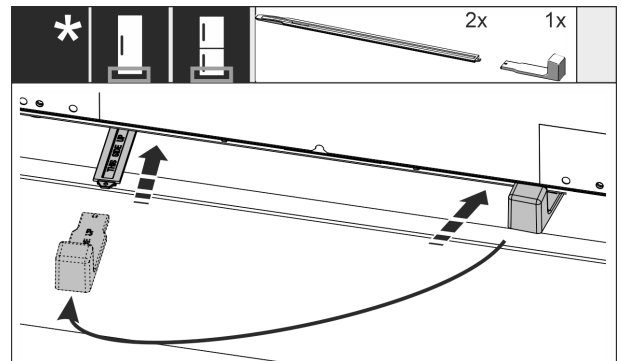


Fig. 55

- ▶ Push the levelling rail into the guide under the appliance base until it reaches the stop.
- ▶ Remove the installation handle and attach it to the second levelling rail.
- ▶ Proceed in the same way for the second levelling rail.

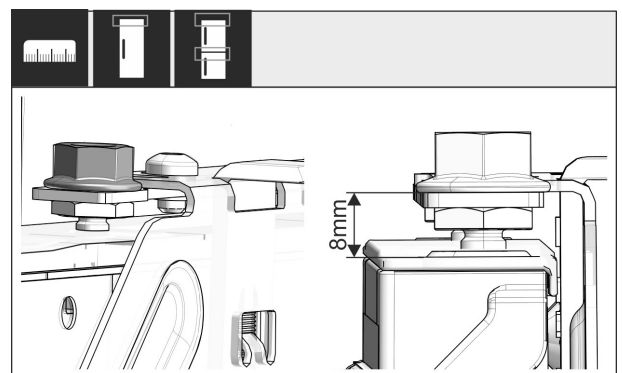


Fig. 56

- ▶ Close the door.
- ▶ Check the preset of 8 mm from the upper edge of the appliance door to the crosspiece support.

# Installing the appliance in the recess



Fig. 57

- ▶ Push the assembly aids to the unit door height. Lower stop edge of the assembly aid = upper edge of the door to be assembled.

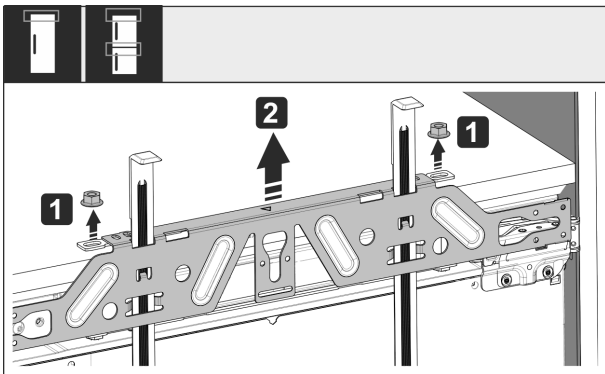


Fig. 58

- ▶ Loosen locknuts Fig. 58 (1).
- ▶ Remove crosspiece Fig. 58 (2).

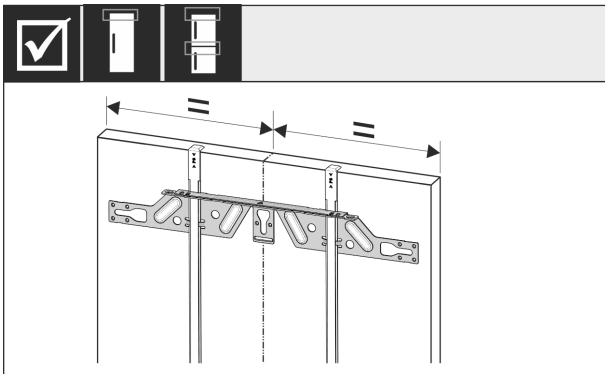


Fig. 59

- ▶ Hang the crosspiece on the inside of the unit door and make sure it is central.

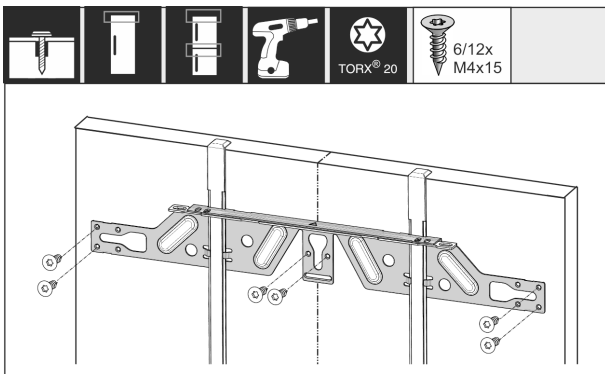


Fig. 60

- ▶ Fix the crosspiece using at least 6 screws for chipboard doors and at least 4 screws for panel doors.

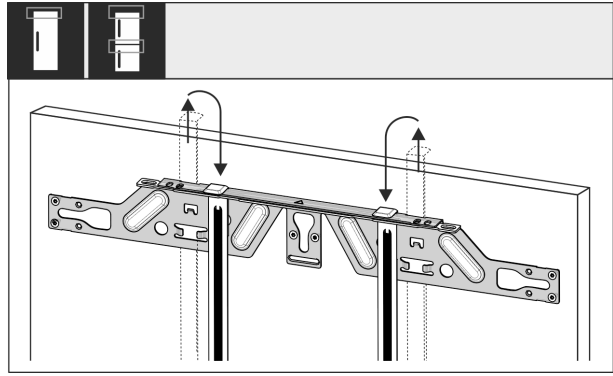


Fig. 61

- ▶ Remove the fitting aids, turn round and insert into the adjacent opening.

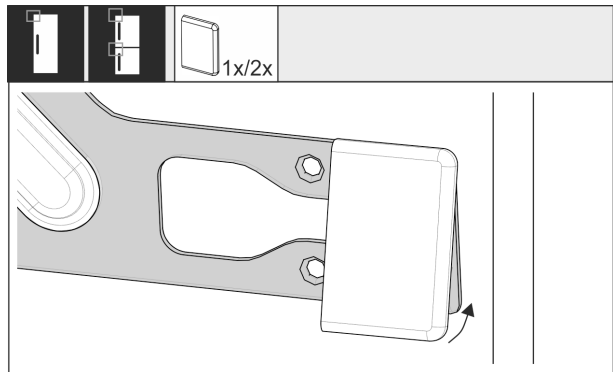


Fig. 62

- ▶ Put the cover on the crosspiece on the handle side.

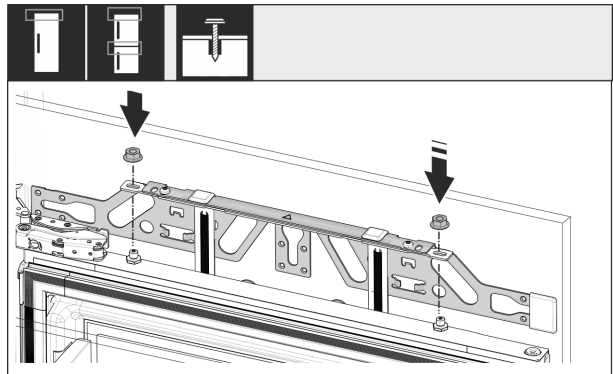


Fig. 63

- ▶ Attach the custom panel and loosely screw the lock nuts onto the adjusting bolts.



Fig. 64

- ▶ Align the custom panel in the X and Y direction using the adjusting bolts.

# Installing the appliance in the recess

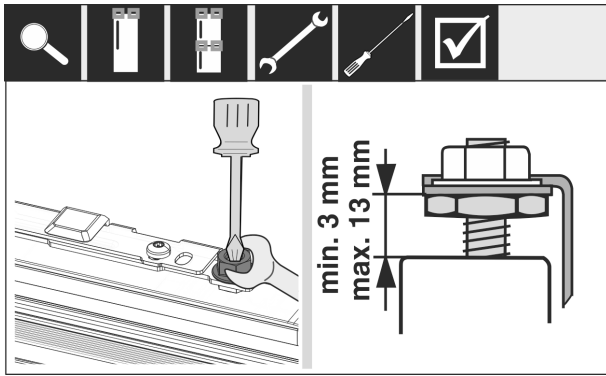


Fig. 65

- ▶ Tighten the lock nuts.
- ▶ Check the adjusted height.

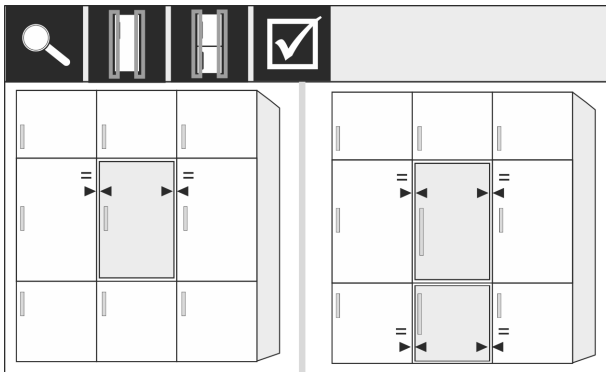


Fig. 66

For front panels thicker than 19 mm:

- ▶ Check the dimensions, weights and information in the following sections: (see 6 Custom panel weights) (see 17 Cabinet fronts)

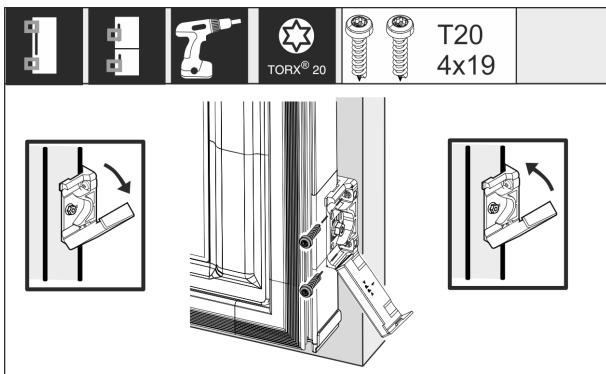


Fig. 67

Mounting the fastening bracket on the custom panel:

- ▶ Open the cover.
- ▶ Mounting the fastening bracket on the custom panel:
  - ▶ Align the front edge of the mounting bracket parallel with the custom door panel edge and screw the bracket down tightly.
- ▶ Mounting the fastening bracket on the custom panel:
  - ▶ Fold up the cover.

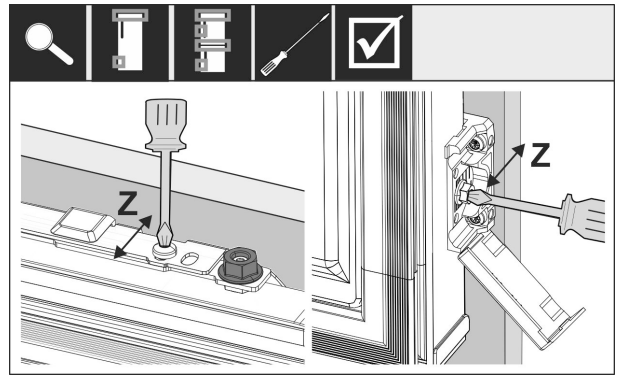


Fig. 68

Align the custom panel in the Z direction:

- ▶ Loosen the adjusting screw on the crosspiece and the screw on the mounting bracket.
- ▶ Move the door.

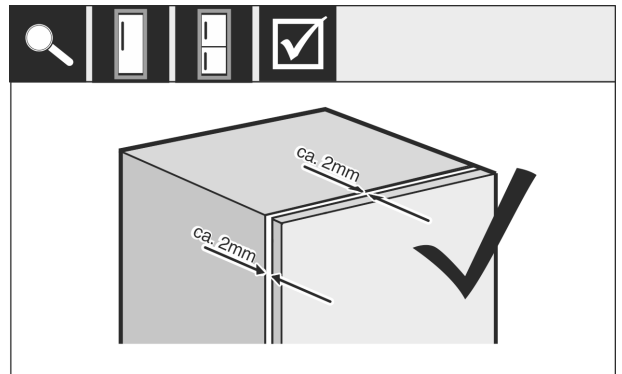


Fig. 69

- ▶ Check the gap between the custom panel and the unit body.
- ▶ Check all the screws and tighten them if necessary.

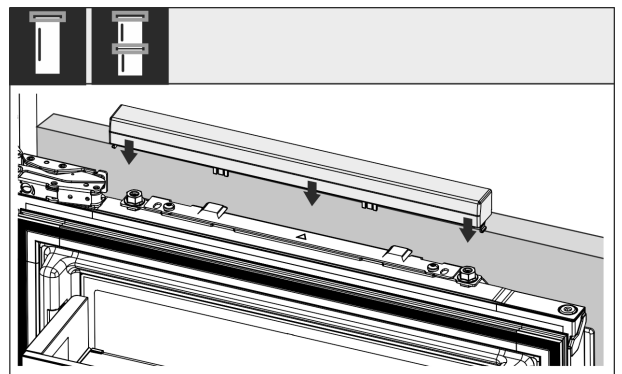


Fig. 70

- ▶ Put on the top cover.

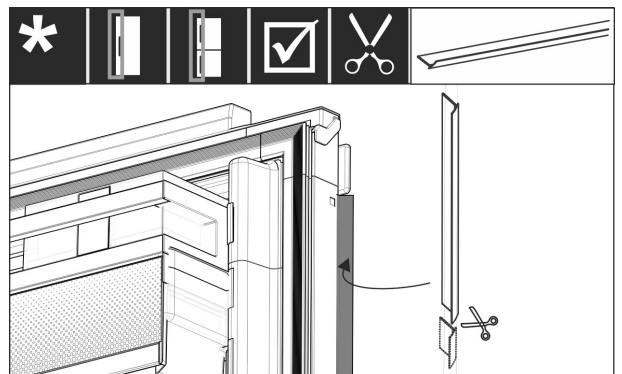


Fig. 71

- ▶ Cut the sealing strip to the required length.

- ▶ Insert the sealing strip between the front panel and the appliance door.

To make sure the appliance is correctly installed and there will not be any icing up, condensation or malfunctions, the following criteria apply:

- The door must close properly.
  - The custom door panel must not touch the body of the unit.
  - The seal on the upper corner on the handle side must be fitted securely.
- ▶ Check recess installation according to the criteria above.

## 17 Cabinet fronts

### 17.1 Dimensions

Depending on your model, you will need one or two cabinet doors. The size of the cabinet door(s) depends on the overall recess size and cabinet unit thickness.

#### Note

Observe the corresponding appliance and niche dimensions and installation sketches.

#### General requirements:

- Please note our appliance-specific recommendations on size and weight for fixed door installation (see 6 Custom panel weights).
- The body of the unit should be at least 16 mm thick but not more than 19 mm.
- When mounting a 2-door cabinet door, observe the recommended clearances.\*

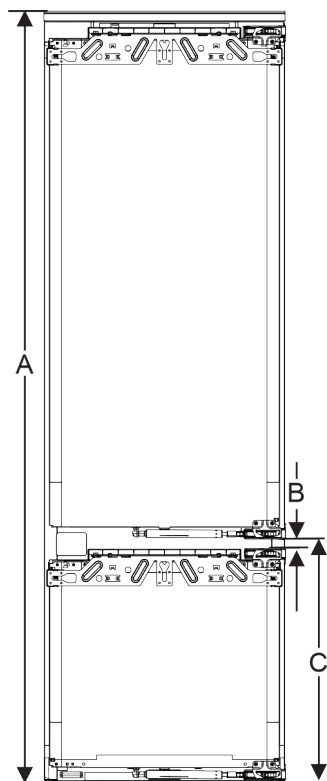


Fig. 72 Clearances for a 2-door cabinet door\*

| Recess height 178-2 drawers*     |          |
|----------------------------------|----------|
| Appliance height (A) ( mm)       | 1770     |
| Distance (B) ( mm)               | 15       |
| Clearance (C) door-on-door ( mm) | 549 + 15 |

| Recess height 178-3 drawers*     |          |
|----------------------------------|----------|
| Appliance height (A) ( mm)       | 1770     |
| Distance (B) ( mm)               | 15       |
| Clearance (C) door-on-door ( mm) | 695 + 15 |

#### Other cabinet door above, below or next to it:

- The vertical gap between custom panels must be 4 mm.
- The horizontal gap between custom panels must be 4 mm. Check the risk of them clashing here. (see 17.3 Setting the clearance to avoid collision)

#### Weight and hinges:

- With heavy furniture fronts, the stress on the hinge is very high. The hinge may be damaged. Please note the maximum weight specification for your appliance in the chapter Furniture front weights (see 6 Custom panel weights).
- If the cabinet front exceeds the maximum permitted weight, an appliance with door-tracking device can help by loading the weight over several concealed hinges on the cabinet.
- If you use long unit fronts that protrude far above the appliances, we recommend an additional door hinge (e.g. Kamat), which must have the same pivot point as the fixed door hinge used with your appliance. By using another hinge (Kamat), the weight is shared over several points. The use of a milled compensating fastening is recommended for high unit fronts to counteract warping (convex/concave).

### 17.2 Mounting the cabinet front(s)

#### When installing, note:

- Cabinet front must be installed symmetrically to the refrigerator door.
  - Adjoining cabinet front is exactly level.
  - Adjoining cabinet front has the same edge radius as the front of the appliance.
  - Cabinet front is flat and tension-free.
  - The front panel has a minimum depth setting of approx. 2 mm to the body.
- ▶ Install the appliance in the recess. (see 16 Installing the appliance in the recess)
- ▶ Fasten the front panel to the appliance door. (see 16 Installing the appliance in the recess)
- ▶ Check that the front panel can close unobstructed. (see 17.3 Setting the clearance to avoid collision)

### 17.3 Setting the clearance to avoid collision

After installing the cabinet front(s), check that the cabinet fronts do not collide.

## Water tank\*

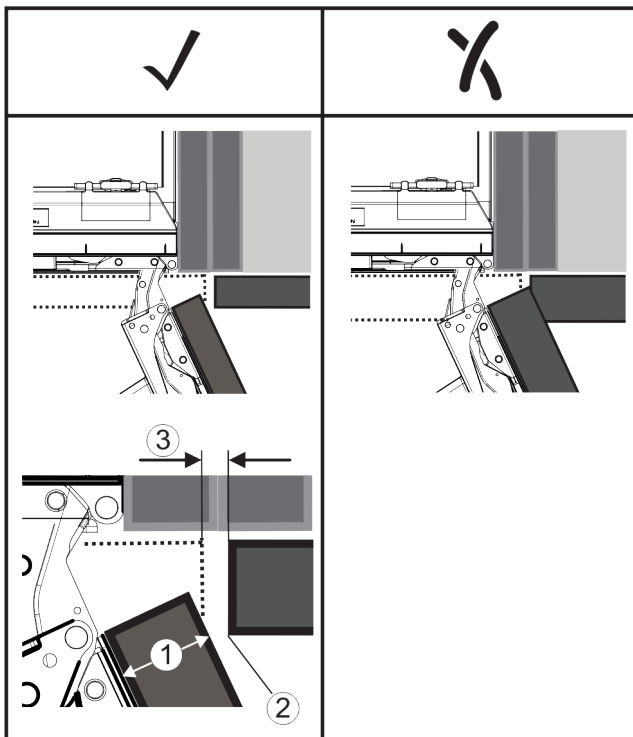


Fig. 73  
**(1)** Front thickness (FD)      **(3)** Clearance (S)  
**(2)** Edge radius (R)

| FD(1) (mm) | R (2) = 0 mm     |                  | R = 1,2 mm       |                  | R = 2 mm         |                  | R = 3 mm         |                  |
|------------|------------------|------------------|------------------|------------------|------------------|------------------|------------------|------------------|
|            | G <sub>min</sub> | G <sub>max</sub> | G <sub>min</sub> | G <sub>max</sub> | G <sub>min</sub> | G <sub>max</sub> | G <sub>min</sub> | G <sub>max</sub> |
| 16         | 0,3              | 0,9              | 0,1              | 0,4              | 0,1              | 0,2              | 0,1              | 0,2              |
| 19         | 0,7              | 2,4              | 0,3              | 1,9              | 0,23             | 3,25             | 0,1              | 0,8              |
| 20         | 2                | 4,3              | 1,5              | 3,6              | 1                | 3,1              | 0,6              | 2,7              |
| 22         | 3,5              | 6,3              | 3                | 5,6              | 2,6              | 5,3              | 2,1              | 4,6              |
| 24         | 5,5              | 8,3              | 5                | 7,8              | 4,5              | 7,4              | 4                | 6,9              |
| 26         | 7,6              | 10,7             | 7                | 10,3             | 6,6              | 9,9              | 6,2              | 9,4              |

Fig. 74 Table of clearance limits

G<sub>min</sub> = min. clearance in mm

G<sub>max</sub> = max. clearance in mm

### Note

When making adjustments, always make sure that the cabinet front suits the general appearance.

### Check the collision factors and adjust them accordingly:

- ▶ Determine the front thickness and edge radius.
- ▶ Refer to the table for the min./max. clearance dimensions.
- ▶ Check the clearance size against the table.
- ▶ Do one of the following depending on the measured clearance size.

| Clearance                     | Description                                                                                                     |
|-------------------------------|-----------------------------------------------------------------------------------------------------------------|
| $S > G_{max}$                 | If the clearance size is greater than the two limits, you do not need to make any adjustments.                  |
| $S < G_{min}$                 | If the clearance size is below the limits, you must increase it. Another option is to increase the edge radius. |
| $G_{min} \leq S \leq G_{max}$ | If the clearance is between the two limits, you have to be careful. This will quickly lead to collisions.       |

## 18 Water tank\*

Depending on your model, the InfinitySpring water tank is behind the lowest drawer in the fridge or BioFresh compartment

### 18.1 Inserting the water tank

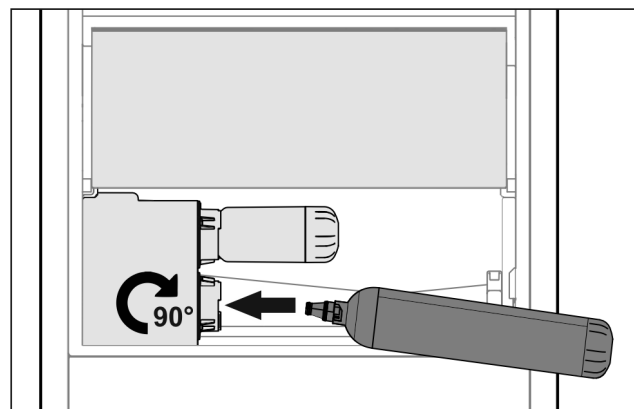


Fig. 75

- ▶ Remove the drawer compartment.
- ▶ Insert the water tank and rotate approx. 90° clockwise until it clicks in.
- ▶ Check that the tank is sealed and no water leaks out.
- ▶ Insert the drawer compartment.
- ▶ Vent the water system (see the Installation Instructions, Water Connection)

Instead of the water filter you can insert an additional water tank.

### Note

You can purchase this water tank as an optional extra.

## 19 Water filter\*

Depending on your model, the water filter is behind the lowest drawer in the fridge or BioFresh compartment.

It filters out deposits in the water and reduces the taste of chlorine.

- Replace the water filter at least every 6 months, or if there is a significant reduction in the flow rate.
- The water filter contains carbon and can be disposed of with the regular household waste.

### Note

Water filters are available from the Liebherr-Hausgeräte store at [home.liebherr.com/shop/de/deu/zubehor.html](http://home.liebherr.com/shop/de/deu/zubehor.html).

### 19.1 Inserting the water filter

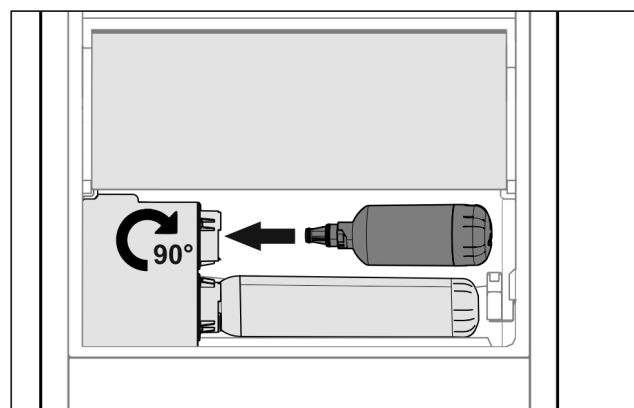
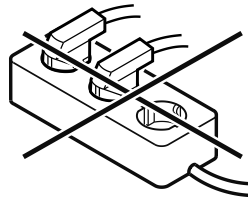




Fig. 76

- ▶ Remove the drawer compartment.
- ▶ Insert the water filter and rotate approx. 90° clockwise until it clicks in.
- ▶ Check that the filter is sealed and no water leaks out.
- ▶ Insert the drawer compartment.



## CAUTION

New water filters can contain suspended matter.

- ▶ Draw 3 l of water from the InfinitySpring and dispose of it.

▷ The water filter is now ready for use.

## 20 Connecting the appliance to the power supply



## WARNING

Danger of electric shock and injury due to damaged appliance or damaged mains cable!

Danger of cuts and fatal injuries. If the appliance or the mains cable is damaged during transport, you may be electrocuted. You could also cut yourself on damaged parts of the appliance housing.

- ▶ Check the appliance and the mains cable for damage after transport.
- ▶ Never put the appliance into operation if the appliance or the mains cable are damaged.
- ▶ Contact Customer Service.

You can connect your appliance to the mains using the power cable supplied separately. The mains power cable has an appliance coupler at one end and a mains plug at the other end.

Make sure that the following requirements are fulfilled:

- The appliance and power cable are undamaged.
- The appliance is installed in accordance with the regulations. (see 16 Installing the appliance in the recess)
- Requirements for the electrical connection are met. (see 2 Installation conditions)
- Dimensions for connection in accordance with regulations are known and observed.
- Mains voltage and frequency correspond to the specifications on the type plate.
- The socket is earthed according to the regulations and fused.
- The fuse tripping current is between 10 A and 16 A.
- The socket is easily accessible and is not behind the appliance. (see 4 Recess dimensions)

## NOTICE

Danger of damage to incorrect operation!

Damage to the electrical components of the appliance.

- ▶ Only use the supplied mains cable.



## WARNING

Danger of fire due to incorrect connection!

Burns.

Damage to the appliance.

- ▶ Do not use an extension cable.
- ▶ Do not use distributor blocks.

## NOTICE

Danger of damage to incorrect connection!

Damage to the appliance.

- ▶ Do not connect the appliance to a stand-alone inverter, e.g. solar power systems and petrol generators.

- ▶ Connect the mains plug of the power cable to the power supply.

▷ The Liebherr logo appears in the display.

▷ The display switches to the standby symbol.

▷ If no action occurs within 60 seconds: The standby symbol fades or disappears.

▷ The appliance is connected. For information regarding first use, see the following section or the operating instructions.



[home.liebherr.com/fridge-manuals](https://home.liebherr.com/fridge-manuals)

**EN** built-in fridges and freezers, fixed door

Issue date: 20240620

**Part number index: 7088411-00**

Liebherr-Hausgeräte GmbH  
Memminger Straße 77-79  
88416 Ochsenhausen  
Deutschland