

# UKes 1752

Built-under fridge



**LIEBHERR**

Fully Integrated

# UKes 1752

Built-under fridge

# LIEBHERR

↑  
82-87  
↓



Type	flush
Energy consump. in 365 days/24 h	337 / 0.923 kWh
Max. No. of Bordeaux bottles 0.75 Ltr	-
Frequency / voltage	50 Hz / 220-240 V~
Connection Rating	0.8 A
Door	Glass door with stainless steel frame
Aperture dimensions in cm (h / w / d)	82-87 / 60-61 / min. 58
<b>Controls</b>	
Type of Control	MagicEye, key electronic
Temperature display	Digital temperature display
Alarm in case of malfunction	visual and acoustic
Door alarm	acoustic
Child proof function	yes
<b>Features</b>	
Temperature zones	1
Temperature range	+2 °C to +20 °C
Adjustable cooling circuits	1
Forced air system	Convection cooling
Interior light	LED interior lighting
Handle	Aluminium handle
Shelf material	Glas
Storage shelves	4
Pull-out shelves on telescopic rails	1
Door hinges	Reversible door hinging
Lock	fitted
EAN-Nr.	9005382238639

## Features

---



### Digital temperature display

The precision electronic control system is equipped with a digital temperature display, and provides information on the set values. The door and temperature alarm alerts the user visually and acoustically to any irregularities, e.g. a door that has been left open. The child lock prevents any inadvertent changes to the control panel.



### LED lighting

The innovative LED lighting guarantees the even illumination of the interior without UV exposure. Since minimal heat is generated by the LEDs, wines can be presented bathed in light over a prolonged period of time.



### PowerCooling system

The high-performance PowerCooling system rapidly cools down freshly stored food and creates an even cooling temperature throughout the interior. A door contact switch turns the fan off when the door is opened. This saves valuable energy.

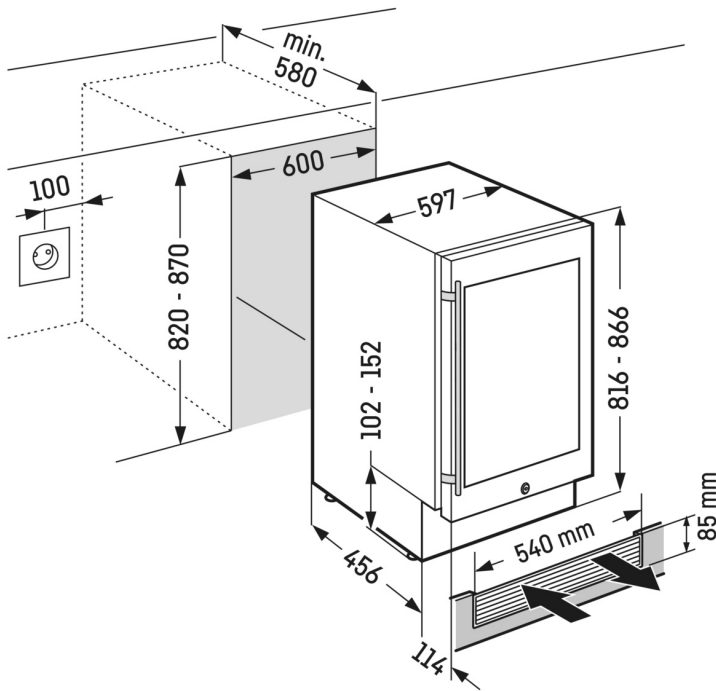


### Controllable temperature range

Whether it's red wine or white, it can only mature properly if it's kept at the ideal temperature. This can be set to the exact degree using the precise electronic control system and state-of-the-art air conditioning technology, and kept constant however much the ambient temperature varies.

# Technical drawing

---



Products and their details are staged for advertising purposes. Whilst every effort is made to ensure all specifications and information in this flyer are accurate, Liebherr reserves the right to make changes without notification. Where actual appliance measurements, specifications, and ratings are crucial, we recommend that the actual appliance installation instructions that accompany each appliance be checked. Liebherr will not be liable for any damage. (01.12.2022)

