
Fully integrated appliances 2024/2025

LIEBHERR

Refrigeration and freezing





Optimal freshness

When it comes to groceries, you care about top quality and an authentic culinary experience. You take detours to visit stalls selling regional cheeses, you appreciate freshly caught fish, and you like to grow your own radishes. Wouldn't it be great if you could still taste this quality, even after several days in the fridge? Almost as if time were standing still? We think it would.

That is what motivates us to constantly develop new and even better solutions that guarantee perfect storage conditions for all kinds of groceries. For long-lasting freshness, to protect valuable vitamins, and for food that tastes as if it had just been bought or harvested. But why not find out for yourself? Check out our 2024 fully integrated range.



SICNdi 5153 ◊ Prime series

ICBNdi 5163 ◊ Prime series

Contents

Liebherr Corporate Group	6
Quality	8
Sustainability	10
Performance in balance	12
Freshness technologies	14
Use phase	16
BioFresh Professional with HydroBreeze	18
BioFresh Professional with Fish & Seafood safe	20
AutoDoor	22
Design	24
Convenience and flexibility	26
Water and ice	28
Side-by-Side concept	30
Connectivity	34
User interface	36
Accessories	38
Food Storage Centres	40
Series	44
Overview of product range	46
Side-by-Side	48
Fridge-freezers	64
Fridges	80
Refrigerators with decor panel	114
Freezers	116
Under-worktop	132
Wine fridges	144
Outdoor Cooler	160
Glossary	162
Diagrams	164



Earthmoving



Material handling



Specialist civil engineering



Mining



Mobile and crawler cranes



Tower Cranes



Concrete technology



Maritime cranes



Aerospace and transportation systems



Gear technology and automation systems



Components



Hotels



Refrigerators and freezers

A tradition of reliability admired the world over.

For 75 years Liebherr has offered high-quality products for pioneering industries. With our customers and partners all over the world, we constantly reach new heights.

One big family

The Liebherr Group was established in 1949 by Hans Liebherr. With a history spanning 75 years, the family-run company is characterised by stability and reliability. Liebherr is one of the biggest manufacturers of construction equipment and is also successful in many other industries. The Group has a decentralised organisation with more than 50,000 employees worldwide and is divided into independently operating business units.

The Group now encompasses 13 product segments – earthmoving machinery, material handling technology, deep foundation machines, mining, mobile and crawler cranes, tower cranes, concrete technology, maritime cranes, aerospace and transportation systems, gear technology and automation systems, refrigerators and freezers, components and hotels – and comprises more than 140 companies across all continents. The holding company of the Group is Liebherr-International AG in Bulle (Switzerland), all of whose shareholders are members of the Liebherr family.



Cutting edge combined with experience: Appliances

The Appliances division was established at the Ochsenhausen site in 1954 and for many years it has played an important part in the development of the Group. For 70 years, Liebherr has been a premium manufacturer of innovative refrigerators and freezers for domestic and commercial use. With an annual production of more than 2.2 million appliances, Liebherr is one of Europe's leading suppliers of cooling and freezing appliances. The five production sites in Ochsenhausen (Germany), Lienz (Austria), Radinovo (Bulgaria), Kluang (Malaysia) and Aurangabad (India) form a manufacturing network for refrigerators and freezers that meets all the most up-to-date standards.

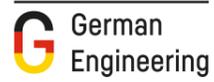
Liebherr is active all over the world. With a dense network of sales subsidiaries and offices in Bulgaria, Germany, the UK, Austria, Canada, Malaysia, Russia, Switzerland, Singapore, South Africa and the USA, the refrigeration and freezing specialists ensure that customers receive expert advice and that service and maintenance work is provided professionally on site.

Even the smallest detail deserves the utmost attention.

We prioritise uncompromising quality – down to the tiniest screw. And we have done so from the very start. We have been manufacturing high-quality refrigerators and freezers and selling them worldwide since 1954. However, at heart we are still a family business with deep roots in Germany. It is here that we continue to develop all our products just as before. German engineering – out of loyalty to our founder and with the knowledge built up by generations of engineers.

Convenience for everybody.

Our new fully integrated appliances are available in different series: Pure, Plus, Prime and Peak. But whatever series you opt for, every single Liebherr comes with uncompromising Liebherr quality. This is because even in the Pure series, every appliance comes with a wide range of features. One example is NoFrost – the automatic defrosting function. Another is our EasyFresh technology for storing fruit and vegetables. Then there is our DuoCooling feature. With two separate refrigerant circuits, it ensures that no air is exchanged between the fridge and freezer compartments. The stored groceries do not dry out and no odours are transferred.



IRBci 5180 Δ Peak-Serie

Built to last.

You can experience our quality standards in the smallest of details. For example, before a door hinge is approved by us, it must pass through at least 100,000 opening cycles. This corresponds to a usage period of more than 15 years. We also test all other functional parts to ensure that they can last just as long.

And if, contrary to expectations, a small detail no longer meets your requirements, you or our premium service partners can usually correct it quickly. Because all our appliances are extremely repair-friendly. We keep all essential spare parts in stock for well over 10 years. This practice is not just sustainable, it also saves you money on minor repairs or the purchase of a new appliance.

We don't just say it. We guarantee it.

During manufacturing we inspect all components of our refrigerators with great care and test them far more rigorously than required by law – and we do this for the last time just before they are packaged. It is only then that our appliances can relax a little. All of our manufacturing sites are certified in accordance with the international standards for quality ISO 9001, energy management ISO 50001 and environmental management ISO 14001. Therefore, nothing could be easier for us than to guarantee for at least two years that our products are free of material and manufacturing faults and are particularly easy to install.

In short: one thing is certain – you will be able to enjoy your Liebherr for a long time.



EasyFresh for fruit and vegetables from the Pure series onwards



No more defrosting thanks to NoFrost (from the Pure series onwards)

Our path to the future

One thing unites all our product innovations: they all present a path towards greater sustainability. Taking responsibility is one of our core values. That's why we have a decades-long tradition of research and development into eco-friendly products, with the entire product lifecycle in mind.



*** EcoVadis Gold**
We treat the issue of corporate responsibility holistically and at all stages of the product life cycle. Our efforts have been awarded gold award for 2023 by EcoVadis, the world's leading Corporate Social Responsibility ratings agency. We are proud to be among the top 3 percent of companies assessed by EcoVadis.

Recycling/disposal

We are aiming for a sustainable circular economy in the long term and actively design our products to maximise the re-use of the materials in them by making them easy to separate.

Materials

We want to reduce the environmental impact of our business activities and are preparing recyclable products by increasing the use of renewable materials and recycled materials in our appliances and reducing the variety of materials we use. In doing so, we look at the entire product.



Use phase

We reduce our environmental impact by continuing to offer first-class, energy-efficient products that are extremely long-lasting and easy to repair – supported by forward-looking customer service. We also offer products and solutions that help to reduce food waste. More on this on the following pages.

Production

We want to produce in an environmentally conscious manner by reducing the energy requirements of our plants and increasingly utilising renewable energy sources. By using water responsibly, minimising waste and avoiding pollution, we reduce our environmental impact above and beyond CO2 emissions.*

Perfectly thought out: a powerful, complete package.

Our fridges are real all-rounders. Along with their low power consumption, they also have impressively low noise levels, plenty of space for groceries, a long service life and decent power reserves for when it really matters. We take account of a great many factors during the development stage and can offer a perfectly balanced appliance. Or to put it another way: all good things come in fours.



Energy consumption

Our new fully integrated appliance units occupy top positions in the efficiency rankings. In this way, they protect the precious resources of our environment and – thanks to low electricity costs – your wallet too.

Cooling volume

We have the perfect appliance for all family sizes, lifestyles and niche heights. We make sure that we do not waste a single litre of capacity in the extra-large drawers – right down to the smallest detail, for example with the lighting solutions that have been integrated in the housing to save space.

Noise level

The boundaries between the kitchen and living areas are becoming ever more blurred in modern households. This underlines the importance of particularly quiet appliances. Our new fully integrated range therefore offers a wide selection of extremely quiet appliances. In some cases, it even reaches the ultra-quiet noise level of 27 db.

Cooling performance

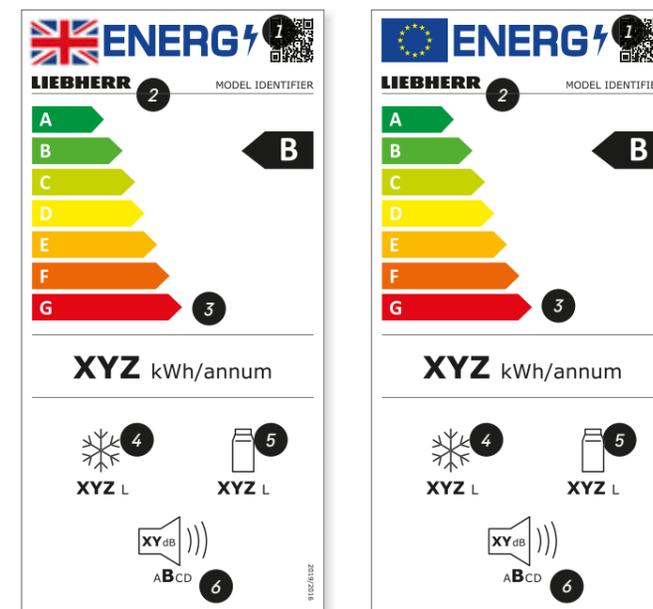
Intelligent sensor technology constantly adapts the cooling performance to current use, making our fully integrated units very energy-efficient and economical in everyday use. At the same time they also have plenty of power in reserve, for example to cool down a large quantity of groceries after the weekly shop.

High efficiency: This is how economical a Liebherr can be



You can find out how efficient our appliances are using the online tool from the EU-financed projects LABEL2020 and BELT. At this site (tool.label2020.eu) you can view and compare the electricity consumption and lots of other product data for electrical appliances. The calculator also takes account of local electricity prices and shows the costs for the entire period of use. The comparison shows that a Liebherr is worth it!

The current energy label for electronic appliances



- 1 The QR code for identifying the product in the EU's EPREL database (European Product Database for Energy Labelling).
- 2 The model identifier for manual identification of the product in the EU's EPREL database, e.g. using the article number.
- 3 The new A to G efficiency scale. Note: G is solely used for wine fridges.
- 4 The total volume* of all freezer compartments.
- 5 The total volume* of all cold storage and refrigerator compartments.
- 6 The noise level is classified in classes A to D.

The term "volume" is defined in current Regulation (EU) 2019/2016. The label for Great Britain includes the Union Jack.

Tasty for longer.

You don't compromise when you're shopping. You look for natural ingredients, the best quality and maximum freshness. Of course, anyone who values good food wants to keep it fresh for as long as possible. That is precisely why we have developed innovative freshness technologies and improve them year after year, so your food still tastes fresh after some time in the refrigerator.



DuoCooling. No drying out.
Our basic technology in all fridge-freezers. Two completely separate cooling circuits ensure that there is no air exchange between the fridge and freezer compartments. The food neither dries out nor spreads odour.



EasyFresh. Ideal for fruit and vegetables.
Unpackaged fruit and vegetables feel right at home here. Stored at the same temperature as the fridge compartment and sealed airtight in the safe, lettuce, for example, is still crisp and fresh after 7 days.



BioFresh. Our all-rounder.
The reliable BioFresh technology keeps food at a temperature just above 0 °C, much cooler than in the rest of the appliance. Fruit and vegetables stay fresh even longer in the airtight Fruit & Vegetable safe with the perfect humidity. Meat, fish and dairy products can enjoy ideal conditions in the Meat & Dairy Safe.



BioFresh Professional with HydroBreeze. Refrigerate like the professionals.
A cold mist that covers fruit and vegetables like a protective balm. It ensures crisp freshness and improves structure – the special wow effect for fruit and vegetables in the BioFresh Professional Safe.



BioFresh Professional with Fish & Seafood Safe. Like freshly caught fish from the market.
Particularly delicate foods like fish and seafood are best stored in icy temperatures and at low humidity. The constant temperature of -2 °C in the Fish & Seafood Safe is therefore ideal to keep these items tasting fresh for longer.



SmartFrost. Less frequent defrosting.
SmartFrost technology significantly reduces frost build-up in the interior and on the frozen food. Defrosting is then required less regularly. The interior walls are particularly smooth and easy to clean.



NoFrost. No more defrosting.
The automatic defrosting function guarantees that frozen foods remain fresh. There is no longer a need to store frozen food temporarily during a manual defrost. The constant optimal freezing remains the same without interruptions.





Saving food with Liebherr.

113 Kilograms²

Around the world, every year around 931 million tonnes of food are thrown away.¹ For an average household, this works out at around 113 kg annually.²

The amount of discarded food breaks down roughly into the following groups:²



50 %
fresh fruit and vegetables



4 %
dairy products



5 %
meat and fish



7 %
cooked and ready-made food

Food does not just have personal and financial value, it also has environmental value.

Food production is responsible for³

25 %

of all global greenhouse emissions and

70 %

of freshwater consumption.

¹ UNEP Food Waste Index Report (2021)

² GfK (2021). For a two-person household in Germany

³ Our World in Data (2022)



With our innovative freshness technologies and digital solutions, we can help you to reduce the amount of food you waste in very simple ways.

Alongside the ideal temperature, optimum humidity is crucial for perfect food storage. At Liebherr, we developed innovative freshness technologies and improve them year after year for this very purpose. This way, food still tastes genuinely fresh even after several days, and loses none of its vitamins and nutrients. For each type of fresh food, we have just the right freshness technology:



DuoCooling



With our SmartDevice app, the appliance can be easily operated via smartphone or tablet. For example, settings can be changed from anywhere without having to open the appliance. This way, no cold air is lost, and that not only saves energy, but helps to prevent food waste.

Cool and misty. Perfect weather for your vegetables.

Our HydroBreeze feature exemplifies our highest standard of freshness. A cold mist covers fruit and vegetables like a protective balm in the BioFresh Professional Safe. The mist ensures crisp freshness, improves structure and keeps produce with fine leaves fresh for longer. It also creates an optical wow effect in the BioFresh Professional Safe.



Nature's freshness secret.

The Salinas valley in California is known as the salad bowl of the USA. And that is because of the particularly favourable climatic conditions. Its proximity to the cool waters of the Pacific means a fine, moist mist covers the valley and its fields in summer. This prevents the crops growing here from drying out. It is precisely this idea which inspired our BioFresh Professional with HydroBreeze.



Every time the door is opened, a fresh, cold mist is generated.

Hydro
Breeze



More about
HydroBreeze

Specifications made in days are comparisons
to the normal fridge compartment.

Like freshly caught fish from the market.
With our Fish & Seafood Safe.

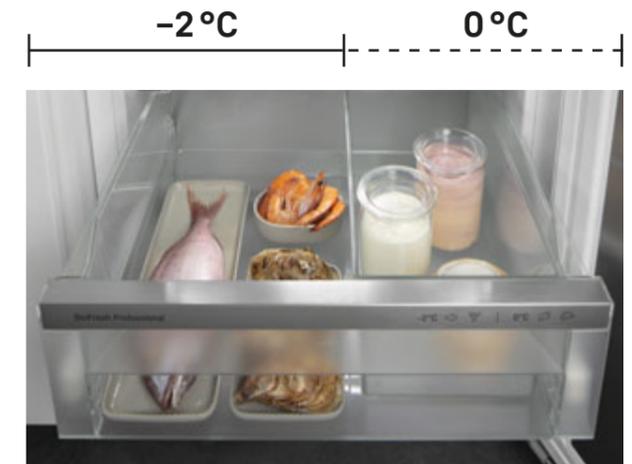
To keep fish and seafood tasting as fresh as at the market stall, even after a few days, you need a fridge compartment which maintains their freshness; such as our Fish & Seafood Safe. Fish and seafood can be stored here at $-2\text{ }^{\circ}\text{C}$ and low humidity. Perfect conditions to enjoy that freshly caught flavour for much longer.



Day specifications are comparisons to the normal fridge compartment.



Flexible use
The surface of the BioFresh Professional Safe can be adjusted to individual requirements. The $-2\text{ }^{\circ}\text{C}$ can be partially or even completely adjusted to a temperature zone at just above $0\text{ }^{\circ}\text{C}$. This is the optimal storage environment for meat and dairy products. We have illustrated these four options below:





Opening and closing by knocking signal

(Requires the SmartDevice app and Amazon Alexa or Google assistant.)



Opening and closing by Smartphone

(Requires the SmartDevice app.)

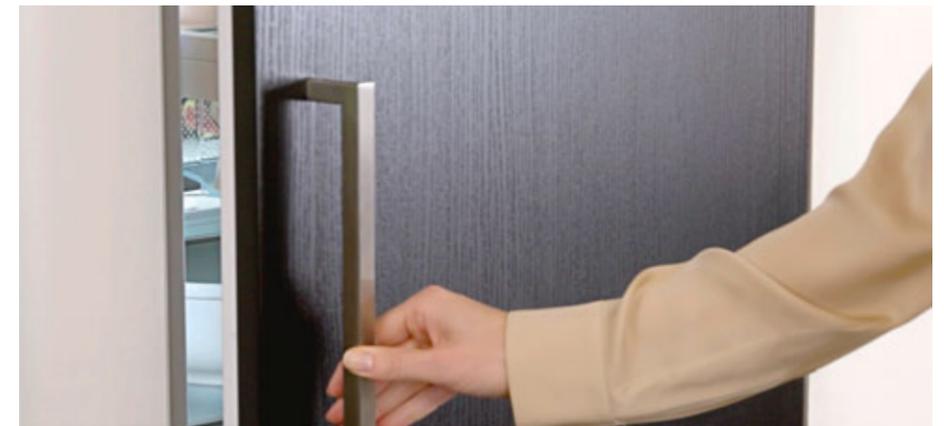


Opening and closing by voice command

(Requires the SmartDevice app and Amazon Alexa or Google Assistant.)



Opening and closing manually is also possible.



No need to touch.

AutoDoor makes your hands-free kitchen perfect because it enables Liebherr appliances to be opened and closed completely automatically, using a knocking signal, the SmartDevice app or voice command. This keeps the handle and appliance front clean, even when your (or someone else's) hands are sticky (requires the SmartDevice app and a smart speaker and Google Assita.)

The first fridges and freezers in the world that open and close fully automatically. You can individually select the opening angle and the time before closing. And if need be, you can also open and close it just as easily by hand or using your smartphone.



Timeless and elegant. Design for every kitchen.

Hidden behind the panels of your integrated kitchen, your Liebherr is inconspicuous and lets the design of the kitchen take the spotlight. But once you open it, it's immediately apparent that behind the door lies something very special.

Design meets functionality.

Puristic and timeless on one hand. Elegant and exclusive on the other. The new design language blends seamlessly into any interior: The high quality glass and stainless steel components are impressive. The precise craftsmanship, an eye for detail and the harmonious combination of materials, shapes and colours create an aesthetically pleasing whole. This is subtly highlighted by the new lighting concept, LightTower.



The LightTower lighting concept evenly illuminates the interior while supporting the glass shelves. Flexible, space-saving, unique.



Just a fan? Not at all: the new fan with ambient lighting ensures almost uniform temperature distribution and also includes the FreshAir activated charcoal filter. Functionality at its best.



ICBNci 5183 Δ Peak series

Freshness with zoom factor

Our ergonomic drawers are easy to use. They are therefore particularly easy to reach – for maximum clarity.



Alternatively, our fully integrated fridge with OpenStage drawers has an even higher-quality, high-contrast appearance with a BlackSteel interior.



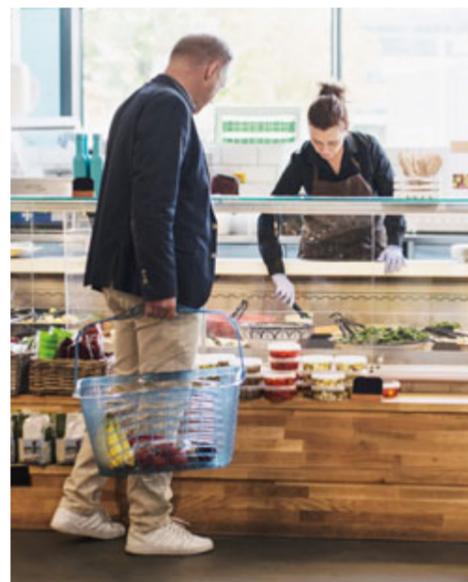
The GlassLine pull-outs in our undercounter models close gently with a self-closing mechanism. The lower LiftUp-Box slides upwards when pulled out for easy removal.



IRBPci 5170 △ Peak series

Transform your kitchen into a market stall.

Inspired by display cabinets in fine delicatessens, the award-winning OpenStage drawers showcase all groceries at a glance. The entire contents of the fridge are presented with maximum clarity and are ergonomically ideal to reach. We are setting new standards in ease of use and design. In the lower area, three additional BioFresh safes offer you the perfect climate for storing fruit and vegetables as well as meat, fish and dairy products.



reddot winner 2021



One beverage store. Two options.

The practical pull-out shelf made of telescopic pull-outs in the IRDdi 5120 and with freezer compartment IRDdi 5121 is equipped with two removable bottle baskets for easy transport. It can also be loaded with a whole crate of beverages to quench your thirst.



IRDdi 5120 ◇ Plus series

This spring has its source in the fridge.

With the InfinitySpring, we bring a crystal clear, cold water source right into the heart of your kitchen. Because water is healthy. This makes lugging heavy crates and water in plastic bottles a thing of the past. This relieves the strain on your back and on our environment. Simple and sustainable.

Ice-cold water on tap with no heavy lifting.

The flush-mounted water dispenser is always there when it is needed and almost invisible when it's not. It is suitable for containers of almost any size, including carafes or bottles for soda makers. The integrated filter system ensures perfect water quality. By the way, unlike traditional table-top water filters, this one only needs to be replaced every six months.



Our new space saving miracle.

The pull-out IceTower sets a new standard. It combines two large storage options: the automatic IceMaker for up to 8 kg of ice cubes and an additional spacious compartment, large enough to store a few family pizzas upright, for example. Plus, to ensure everything can be found easily at these dimensions, we have also provided lighting for our IceTower.



Ice Tower

Flexible installation.

The IceMaker is available with a direct connection to the drinking water supply. If such a connection is not available, there are also models with a water tank in the fridge compartment. So you can enjoy convenient ice cube production even without a fixed tap water connection.



BottleTimer.

Provides extra-fast cooling for drinks. And reminds you via the SmartDevice app not to forget bottles in the freezer compartment.

Side
by
Side



IRBPbsci 5170 Δ Peak series

EWTgcb 3583 Vinidor

SIFNbsdi 5188 Δ Peak series

Creating an individually designed freshness centre (Mix and Match).

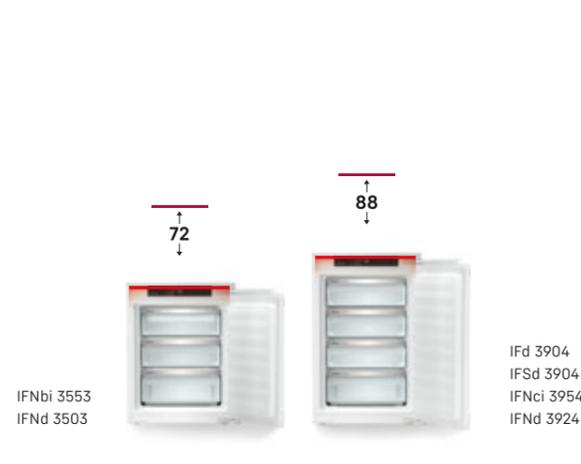
Combine your Liebherr appliances with complete flexibility to suit your individual freshness needs. All models labelled side-by-side, can be vertically and/or horizontally combined to form your individual freshness centre, providing perfect solutions to all your storage needs.

So you can have everything in one place: Generous cooling capacity, extra-long freshness with BioFresh, wines at just the right temperature and the comfort of never having to defrost again with NoFrost.

Create your own individual freshness centre (Mix and Match).

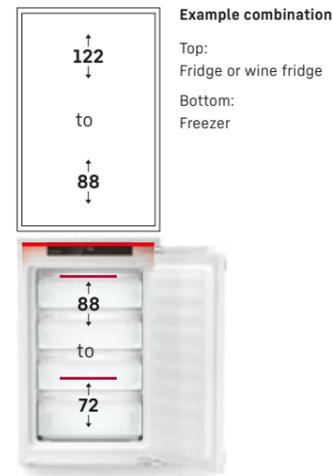


In order to prevent condensation between the units, Side-by-Side Liebherr appliances are equipped with an integrated heating element in the ceiling and/or side walls. That means that different Liebherr models can be easily combined, protecting both themselves and the kitchen furniture perfectly.



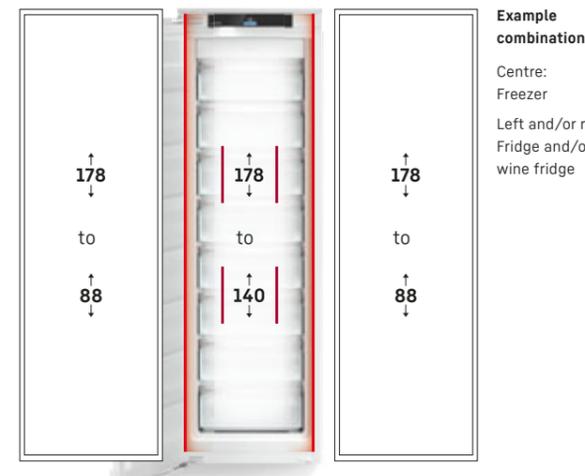
Freezers with heated ceilings

The heated ceiling enables freezers with a niche height of 72 or 88 cm to be combined vertically with a fridge or wine fridge to any niche height.



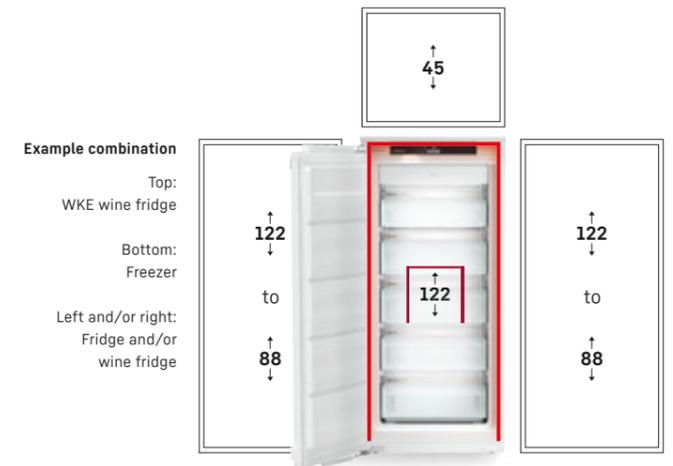
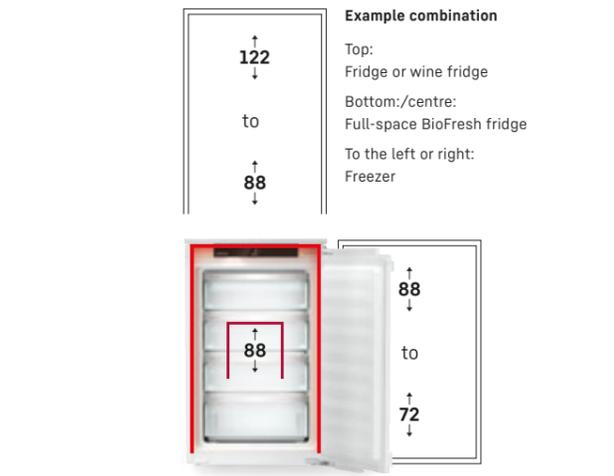
Side walls heated on both sides

The heated side walls enable appliances to be placed on both sides at any niche height.



Heated ceiling and side walls

The heated ceiling and heated side walls enable appliances to be combined above at any niche height. Double-sided combinations up to a niche height of 178 cm are possible.





Always well connected

Almost all our appliances are either factory-equipped with a network connection module or can be retrofitted with the SmartDeviceBox.

This way, you will benefit from the many possibilities of our SmartDevice app and from connecting all fridges or freezers to your existing smart home environment. Important status and alarm notifications are sent directly to your smartphone, for example notification of an open fridge door via door alarm. Our SmartDevice app has much more to offer besides: As well as simple management and remote control of your appliances, the app also helps you with tips and tricks for your Liebherr appliance. The right accessories for each appliance, access to instruction manuals and much more can also be found here.



Built-in progress.

Your fridge thinks for you whenever it can. For example, it reminds you of forgotten drinks in the freezer – thanks to the integrated BottleTimer. So burst bottles are a thing of the past.

And especially interesting for all those who are also drawn to the fridge at night: NightMode. The interior is then only illuminated with a dimmed light. So after a midnight snack, you can go back to bed quickly and are guaranteed not to fully wake up from your slumbers.



Learn how digitally networked refrigeration makes your everyday life easier:
home.liebherr.com/getsmart

Always perfectly networked.

All our new fully integrated models are either already networked* at the plant or can be retrospectively connected to a WiFi network using a SmartDeviceBox. Appliances with a built-in SmartDeviceBox can be identified by the "i" behind the model name (e. g.: ICBdi 5122).

You therefore benefit from all our SmartDevice app options and from integrating the refrigerator into an existing Smart Home environment. This means appliances can be controlled easily via voice-controlled assistants such as Amazon Alexa and Google Assistant or services such as IFTTT and Home Connect Plus (country availability varies).

Important status and alarm notifications are sent directly to your smartphone, for example notification via door alarm of a fridge door being left open. However, our SmartDevice app has much more to offer. Besides the simple management of all appliances and controlling them while on the move, the app also helps with storing food correctly and therefore provides even greater enjoyment and extends shelf lives. The right accessories for each refrigerator, access to warranty extensions and much more can also be found here.

In short, our appliances make you ready for tomorrow today.

We play it very, very safe.

We take data protection very seriously. For this reason we have chosen a software partner who shares our high standards: Microsoft. Microsoft, as the first leading provider of cloud services, is certified in accordance with the international standard ISO/IEC 27018, which regulates data protection, and uses AES-256 – the same encryption technology employed in the banking sector.

Availability may vary according to country.



Learn how digitally networked refrigeration makes your everyday life easier:
home.liebherr.com/getsmart

You can download the SmartDevice app here:



Refrigerators that leave all your options open – and your doors closed.

We don't develop refrigerators with the most functions. We develop refrigerators with exactly the right functions to store food safely and give our customers what they really need. To make their lives noticeably easier. And then we implement these features to technical perfection.



You can never be too safe.

-  **Door alarm**
Alarm when the door is open, visual as well with pulsating LED lighting.
-  **Temperature alarm**
Visual and audible warning as soon as the temperature in the freezer compartment reaches a critical level.
-  **Power failure alarm**
Visual and audible alarm in case of power failure for safe storage.
-  **Appliance failure alarm**
Optical and acoustic warning in case of appliance failure.
-  **Reminder**
Automatic reminder for maintenance and care.
-  **Input lock**
Prevents all changes to settings or activation of functions.
-  **DemoMode**
For optimal presentation of the appliance in showrooms: User interface and lighting on, cooling system off.

A touch more convenience.

-  **CleaningMode**
For a perfect view when cleaning, the lights stay on while the cooling system switches off.
-  **PartyMode**
PartyMode activates functions like SuperCool and maximum ice production.
-  **HolidayMode**
The fan, SuperCool and SuperFrost are switched off and the fridge temperature is increased to +15 °C to save electricity. The freezer compartment stays switched on.
-  **EnergySaver**
Raises the standard temperature to maximum 7 °C to reduce power consumption.
-  **SabbathMode**
All lighting and sounds are switched off, deactivating themselves after 80 hours.
-  **Language settings***
Variable language setting for 12 languages on the display.

Core competence cooling.

-  **Temperature display**
The display always shows the current temperature value. Flashing items in the menu indicate changes..
-  **SuperFrost**
Increased cooling in the freezer compartment for vitamin-preserving freezing.
-  **SuperCool**
Increase the cooling performance until the fresh food is as cool as the rest of the contents.

Simply smart with the app.

-  **NightMode**
All sounds and noises are switched off – and the lighting is dimmed. For undisturbed quiet.
-  **BottleTimer**
Extra fast cooling by activating SuperFrost. The app sends an automatic reminder to take the bottles out of the ice compartment.
-  **IceCubeTimer****
Faster rate of ice cube production. As soon as the ice cubes are ready, the app sends a notification.

*Function only available with Touch & Swipe display.
**Available only in the Prime and Peak series.

Practical accessories for every need.

Discover the versatility of the original Liebherr range of accessories for your fridge – and make your daily life a little easier.



Organisational systems

A fridge compartment design to suit your needs: If you want to sort your groceries clearly, you could use the VarioSafe, VarioBoxes, variable egg trays and the FlexSystem, for example. Additional bottle shelves and clip-on labelling systems provide a clear overview of wine stocks.



VarioBoxes



FlexSystem



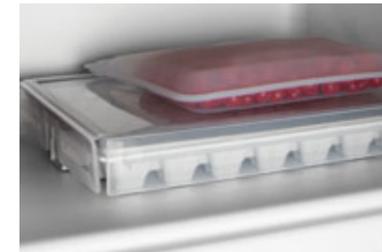
Bottle shelf

Useful help of all kinds

From the practical butter dish to the easy-fill ice cube tray with a lid or the handy freezer tray, the range of accessories offers plenty of smart solutions for serving food and keeping it fresh.



Butter dish



Ice cube tray with lid



Freezer tray



FreshAir activated charcoal filter

Cleans the circulating air and quickly binds unpleasant odours. The filter is easy to replace and ensures optimum air quality.



SmartDeviceBox

You can retrofit your Liebherr with a SmartDeviceBox to connect it to the internet. The SmartDeviceBox can be installed in just a few steps and will open up the whole world of digital possibilities to you today.



VarioSafe

The VarioSafe provides clarity and creates order. Smaller foods and packages, tubes and jars can be perfectly stored in the drawer. The VarioSafe can be inserted in the fridge compartment at various heights. For higher filling, a second insertion height is available if necessary.

Please note that not all accessories fit all models. To find the accessory range for your appliance, please visit the Liebherr website home.liebherr.com for details or buy them from your Liebherr dealer.

Quality down to the finest detail



SmartSteel rear wall

The rear wall in elegant SmartSteel gives your Liebherr a stylish look and feel. Your food will also love SmartSteel as stainless steel is food-safe and hygienic. SmartSteel also reduces the visibility of fingerprints – making the appearance even more pleasing.



BioFresh

Crunchy salad and strawberries: the most delicate foods deserve a special place so they stay fresh longer – in BioFresh safes. In the Fruit & Vegetable safe the temperature is close to 0°C. Combined here with the constant humidity, thanks to the air-tight closure, unpackaged fruit and vegetables feel particularly at home. You do not have to adjust anything.



IceMaker with fixed water connection

Are there any ice cubes left? An IceMaker means you never have to ask. With the IceMaker with fixed water connection, the water comes directly from the tap. The MaxIce function allows you to produce up to 1.5 kg of ice cubes a day. The ice cube separator helps to divide the drawer into any size you want – for example, ice cubes on the left, ice cream on the right – or just for ice cubes.



LED side lighting on both sides

For a quick overview of everything in the refrigerator: thanks to the LED side lighting on both sides, your food is in view at all times. The LEDs are positioned so that your large refrigerator is also illuminated with food inside it. And the LEDs integrated flush into the side walls mean that the valuable usable area is fully maintained.



NoFrost

The automatic defrosting function guarantees that frozen foods remain fresh. There is no longer a need to store frozen food temporarily during a manual defrost. The constant optimal freezing remains the same without interruptions. Both drawers run smoothly on telescopic rails even when fully loaded.



Versatile bottle shelf

The versatile bottle shelf is an innovative feature in all BioFresh Premium models. It can be positioned above or below the glass shelf to suit individual requirements.



ECBNe 8872 PremiumPlus

Door-on-door / built-in appliance for integrated use	
Energy efficiency class:	E <small>A G</small>
Energy consumption per year / 24 h:	320 / 0.876 kWh
Total volume ¹ :	522 l
Volume:	Fridge: 292.2 l / BioFresh compartment: 70.6 l / Freezer compartment: 160 l
Noise output / Sound power level:	39 dB(A) / C
Climate rating:	SN-T (from +10 °C to +43 °C)
Aperture dimensions in cm (h/w/d):	203.2 - 207.2 / 91.5 / at least 63.5



Controls

- MagicEye with digital temperature display, Touch electronics
- Digital temperature display for refrigerator and freezer compartment
- FrostControl
- Alarm in case of malfunction: visual and acoustic
- Door alarm: acoustic

Fridge and BioFresh compartment

- PowerCooling
- Comfort GlassLine shelving with bottle carrier
- 3 GlassLine shelves
- Integrated bottle shelf
- Variable bottle shelves
- LED BioFresh lighting
- 2 BioFresh safes on telescopic rails

Freezer compartment ********

- 2 drawers, of which 2 on telescopic rails
- IceMaker for plumbed-in connection 3/4"
- Ice cube production in 24 h: 1.4 kg
- Ice cube storage: 2.7 kg
- LED lighting
- Storage time in the event of power cut: 17 h
- Freezing capacity in 24 h: 10 kg

Key features

- Height-adjustable feet at front
- Door stop left fix / right fix
- Replaceable door seal
- SmartSteel rear

ECBNe 8870 PremiumPlus

Door-on-door / built-in appliance for integrated use	
Energy efficiency class:	E <small>A G</small>
Energy consumption per year / 24 h:	320 / 0.876 kWh
Total volume ¹ :	522 l
Volume:	Fridge: 292.2 l / BioFresh compartment: 70.6 l / Freezer compartment: 160 l
Noise output / Sound power level:	39 dB(A) / C
Climate rating:	SN-T (from +10 °C to +43 °C)
Aperture dimensions in cm (h/w/d):	203.2 - 207.2 / 91.5 / at least 63.5



Controls

- MagicEye with digital temperature display, Touch electronics
- Digital temperature display for refrigerator and freezer compartment
- FrostControl
- Alarm in case of malfunction: visual and acoustic
- Door alarm: acoustic

Fridge and BioFresh compartment

- PowerCooling
- Comfort GlassLine shelving with bottle carrier
- 3 GlassLine shelves
- Integrated bottle shelf
- Variable bottle shelves
- LED BioFresh lighting
- 2 BioFresh safes on telescopic rails

Freezer compartment ********

- 2 drawers, of which 2 on telescopic rails
- IceMaker for plumbed-in connection 3/4"
- Ice cube production in 24 h: 1.4 kg
- Ice cube storage: 2.7 kg
- LED lighting
- Storage time in the event of power cut: 17 h
- Freezing capacity in 24 h: 10 kg

Key features

- Height-adjustable feet at front
- Reversible door hinging
- Left or Right hand hinge, fixed
- SmartSteel rear

Choose from left (ECBNe 8871 617) or right (ECBNe 8870 001) hand hinge, fixed.

Quality down to the finest detail



IceMaker with fixed water connection

Are there any ice cubes left? An IceMaker means you never have to ask. With the IceMaker with fixed water connection, the water comes directly from the tap. The MaxIce function allows you to produce up to 1.2 kg of ice cubes a day. The ice cube separator helps to divide the drawer into any size you want – for example, ice cubes on the left, ice cream on the right – or just for ice cubes.



LED BioFresh lighting

Experience the pleasure of brightly lit fresh fruit and vegetables. The LED BioFresh lighting shows off the contents of your BioFresh safe in its best light. The lighting is positioned centrally above the BioFresh safes and supplemented by LED light columns on both sides. These extend into the topmost BioFresh safe ensuring bright illumination.



BioFresh

Crunchy salad and strawberries: the most delicate foods deserve a special place so they stay fresh longer – in BioFresh safes. In the Fruit & Vegetable safe the temperature is close to 0°C. Combined here with the constant humidity, thanks to the air-tight closure, unpackaged fruit and vegetables feel particularly at home. You do not have to adjust anything.



LED side lighting on both sides

For a quick overview of everything in the refrigerator: thanks to the LED side lighting on both sides, your food is in view at all times. The LEDs are positioned so that your large refrigerator is also illuminated with food inside it. And the LEDs integrated flush into the side walls mean that the valuable usable area is fully maintained.



ECBNe 7871
PremiumPlus

Door-on-door / built-in appliance for integrated use

Energy efficiency class:	E A
Energy consumption per year / 24 h:	299 / 0.819 kWh
Total volume ¹ :	402 l
Volume: Fridge: 215.3 l / BioFresh compartment: 62.1 l / Freezer compartment: 125 l	
Noise output / Sound power level:	39 dB(A) / C
Climate rating:	SN-T (from +10 °C to +43 °C)
Aperture dimensions in cm (h/w/d):	203.2 - 207.2 / 76.2 / at least 63.5



Controls

- MagicEye with digital temperature display, Touch electronics
- Digital temperature display for refrigerator and freezer compartment
- FrostControl
- Alarm in case of malfunction: visual and acoustic
- Door alarm: acoustic

Fridge and BioFresh compartment

- PowerCooling
- Comfort GlassLine shelving with bottle carrier
- 3 GlassLine shelves, of which 1 divisible
- Integrated bottle shelf
- LED BioFresh lighting
- 2 BioFresh safes on telescopic rails

Freezer compartment ********

- 2 drawers, of which 2 on telescopic rails
- IceMaker for plumbed-in connection 3/4"
- Ice cube production in 24 h: 1.2 kg
- Ice cube storage: 2.7 kg
- LED lighting
- Storage time in the event of power cut: 14 h
- Freezing capacity in 24 h: 7 kg

Key features

- Height-adjustable feet at front
- Left hand hinge
- Replaceable door seal
- SmartSteel rear

Choose from left (ECBNe 7871 617) or right (ECBNe 7870 001) hand hinge, fixed.

Stainless steel panels and handles available as accessories.



ECBNe 7870
PremiumPlus

Door-on-door / built-in appliance for integrated use

Energy efficiency class:	E A
Energy consumption per year / 24 h:	304 / 0.832 kWh
Total volume ¹ :	402 l
Volume: Fridge: 215.3 l / BioFresh compartment: 62.1 l / Freezer compartment: 125 l	
Noise output / Sound power level:	39 dB(A) / C
Climate rating:	SN-T (from +10 °C to +43 °C)
Aperture dimensions in cm (h/w/d):	203.2 - 207.2 / 76.2 / at least 63.5



Controls

- MagicEye with digital temperature display, Touch electronics
- Digital temperature display for refrigerator and freezer compartment
- FrostControl
- Alarm in case of malfunction: visual and acoustic
- Door alarm: acoustic

Fridge and BioFresh compartment

- PowerCooling
- Comfort GlassLine shelving with bottle carrier
- 3 GlassLine shelves, of which 1 divisible
- Integrated bottle shelf
- Variable bottle shelf
- LED BioFresh lighting
- 2 BioFresh safes on telescopic rails

Freezer compartment ********

- 2 drawers, of which 2 on telescopic rails
- IceMaker for plumbed-in connection 3/4"
- Ice cube production in 24 h: 1.2 kg
- Ice cube storage: 2.7 kg
- LED lighting
- Storage time in the event of power cut: 14 h
- Freezing capacity in 24 h: 7 kg

Key features

- Height-adjustable feet at front
- Right hand hinge
- Replaceable door seal
- SmartSteel rear

¹ In accordance with Regulation EU 2019/2016 we indicate the total volume to the nearest integer (rounded off) and the volume of the frozen compartments and refrigeration compartments to one place after the decimal point. You can find the full range of efficiency classes on page 13. According to (EU) 2017/1369 da.

For a clear overview.
Even before you
open the fridge.

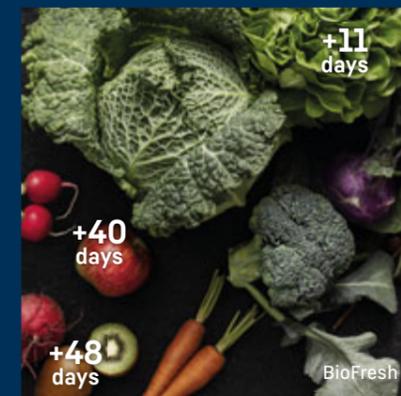
- Pure
- ◇ Plus
- ⬡ Prime
- △ Peak

Which appliance is right for me?

This customer question is not always easy to answer. That's why we have made things even simpler by dividing our product range into four easy to understand series.

○ **Pure series**

The Pure series is our basic class. Simple, clear and perfectly equipped for all essential needs. Appliances in the Pure series are stripped down to the essentials. But full to the brim with the highest level of Liebherr quality.



◇ **Plus series**

The Plus series builds on our Pure series and has many impressive additional details. Above all, Plus means a plus in comfort. The appliances not only provide first-class refrigerating and freezing, they are also just that little bit smarter. They help make much of the handling a little easier.

⬡ **Prime series**

With the Prime series things get much more classy. It makes an unmistakable mark in terms of design and material. Above all, genuine materials are used inside the appliances, such as stainless steel. But also special lighting solutions make the appliances in this series particularly appealing.



△ **Peak series**

The Peak series sits at the top of our series. This combines the best with the best. There is no compromise. Innovative Liebherr technology meets high-end design and comfort solutions that are simply the best in its class. Appliances in this series are for those who want everything.

Overview of product range according to niche and series

Side-by-Side Freshness Centres

Door on door	Combination Combination
EasyFresh BioFresh NoFrost NoFrost IceMaker	IXCC 5165 SICNdi 5153 ICBNdi 5163
Door on door	Freezer Fridge
NoFrost OpenStage IceTower BioFresh	IXRF 5175 SIFNdi 5188 IRBPci 5170
NoFrost HydroBreeze IceTower InfinitySpring AutoDoor AutoDoor	IXRFA 5175 SIFNAd 5188 IRBAc 5190
NoFrost IceTower BioFresh	IXRF 5165 SIFNdi 5188 IRBci 5150
NoFrost BioFresh	IXRF 5125 SIFNe 5128 IRBd 5120
NoFrost BioFresh	IXRF 5100 SIFNe 5128 IRBd 5120

Door on door	Freezer Wine fridges Fridge
NoFrost Vinidor BioFresh	IXRFWbs 5174 SIFNbsdi 5188 EWTgb 3583 IRBPbsci 5170
NoFrost Vinidor HydroBreeze	IXRFW 4173 SIFNdi 4155 EWTgb 2383 IRBbi 4170
Door on door	Wine fridges Fridge All-BioFresh-refrigerator Freezer fridges
Vinidor EasyFresh BioFresh FoFrost	IXRFWbs 5174 EWTdf 1653 IRci 3950 SIBa20i 3950 IFNci 3954
Door on door	Freezer Fridge
NoFrost BioFresh	IXRF 4555 SIFNdi 4556 IRBci 4550

Combined refrigerator-freezer

Door on door	
BioFresh Professional HydroBreeze NoFrost	ICBNci 5183 ICBNdi 5173 ICBNbsci 5173
SmartFrost	ICBci 5182
BioFresh NoFrost	ICBNdi 5163 ICBNci 5153 ICBNdi 5123
SmartFrost	ICBbi 5122 ICBbi 5152
EasyFresh NoFrost	ICNci 5173 SICNdi 5153 ICNd 5133 ICNe 5103
SmartFrost	ICe 5103
Sliding door	
BioFresh SmartFrost	ICBSd 5122
EasyFresh SmartFrost	ICSe 5103

- △ Peak series
- ◇ Plus series
- Prime series
- Pure series

Fridges

Door on door	178	140	122	102	88
BioFresh Professional HydroBreeze AutoDoor	IRBAc 5190 IRBAc 5171		IRBAb 4170		
HydroBreeze	IRBci 5180 IRBdi 5181 IRBci 5170 IRBbsci 5170 IRBbsci 5171	IRBci 4571 IRBbsbi 4570 IRBbi 4570	IRBbsbi 4170 IRBbi 4170		
BioFresh	IRBPbsci 5170 IRBPci 5170 IRBci 5151 IRBci 5150 IRBd 5121 IRBd 5120	IRBci 4551 IRBci 4550	IRBci 4150 IRBc 4121	IRBbi 4050 IRBc 4020	SIBa20i 3950
EasyFresh	IRe 5100 IRe 5101	IRd 4520	IRc 4120 IRc 4121 IRd 4101 IRd 4100	IRd 4021 IRd 4020	IRci 3950 IRd 3900 IRe 3901
Bottle pull-out	IRDdi 5120 IRDdi 5121				
Sliding door					
BioFresh	IRBSd 5120 IRBSd 5121		IRBSd 4120		
EasyFresh			IRSe 4101 IRSe 4100		IRSe 3900 IRSe 3901
Decor panel			DRe 4101		DRe 3900

Freezers

Door-on-door	178	140	122	88	72
NoFrost/IceTower	SIFNAd 5188 SIFNbsdi 5188 SIFNdi 5188				
NoFrost	SIFNdi 5178 SIFNe 5128 SIFNe 5108	SIFNdi 4556	SIFNdi 4155	SIFNci 3954 IFNci 3954 IFNd 3924	IFNbi 3553
SmartFrost				IFd 3904	IFNd 3503
Sliding door					
NoFrost	SIFNSe 5128				
SmartFrost				IFSd 3904	

Side-by-Side



IXRF 5175 Δ Peak series

SIFNdi 5188 Δ Peak series

IRBPci 5170 Δ Peak series

**Side
by
Side**

Create your own freshness centre with our side by side fridges, freezers and wine cabinets in various recesses. For more information about the Side-by-Side concept see pages 30-33.

Integrated Side-by-Side Freshness Centres



IXCC 5165 Prime

SICNdi 5153 Prime

Door-on-door / built-in appliance for integrated use

Energy efficiency class:	D <small>A B C D E F G</small>
Energy consumption per year / 24 h:	181 / 0.495 kWh
Total volume ¹ :	254 l
Volume:	Fridge: 184.4 l / Freezer compartment: 70 l
Noise output / Sound power level:	34 dB(A) / B, SuperSilent
Climate rating:	SN-T (from +10 °C to +43 °C)
Aperture dimensions in cm (h/w/d):	177.2 - 178.8 / 56 - 57 / at least 55.0

ICBNdi 5163 Prime

Door-on-door / built-in appliance for integrated use

Energy efficiency class:	D <small>A B C D E F G</small>
Energy consumption per year / 24 h:	208 / 0.569 kWh
Total volume ¹ :	246 l
Volume:	Fridge: 104.1 l / BioFresh compartment: 71.2 l / Freezer compartment: 71 l
Noise output / Sound power level:	34 dB(A) / B, SuperSilent
Climate rating:	SN-ST (from +10 °C to +38 °C)
Aperture dimensions in cm (h/w/d):	177.2 - 178.8 / 56 - 57 / at least 55.0

Easy Fresh	Duo Cooling	No Frost	Super Cool	Super Frost	Glass & Steel Interior	Light Tower	Soft System	Super Silent
Touch & Swipe-Display	VarioSpace	Smart Device						

Controls

- 2.4" TFT-colour display, touch- & swipe-electronics
- Digital temperature display for refrigerator and freezer compartment
- SmartDeviceBox included
- Alarm in case of malfunction: visual and acoustic
- Door alarm Fridge-freezer compartment: visual and acoustic

Freezer compartment ********

- 3 drawers, VarioSpace
- Ice cube tray with lid
- LED lighting
- Storage time in the event of power cut: 9 h
- Freezing capacity in 24 h: 6 kg
- Safety glass fittings

Key features

- Side-panel heating on both sides, suitable for combination with other fridges, freezers and/or wine appliances
- Height-adjustable feet at front
- Left hand hinge, reversible
- Replaceable door seal
- SmartSteel rear

Fridge compartment

- PowerCooling with FreshAir active carbon filter
- Premium GlassLine shelving with bottle holder, removable VarioBoxes, adjustable egg tray, butter dish
- 5 GlassLine shelves, of which 1 divisible
- VarioSafe
- 3 bottle shelf
- LightTower
- 1 EasyFresh safe with partial extension on telescopic rails

Bio Fresh	Duo Cooling	No Frost	Super Cool	Super Frost	Glass & Steel Interior	Light Tower	Ice Maker	Soft System
Soft-Telescopic Rails	Super Silent	Touch & Swipe-Display	VarioSpace	Smart Device				

Controls

- 2.4" TFT-colour display, touch- & swipe-electronics
- Digital temperature display for fridge, BioFresh and freezer compartments
- SmartDeviceBox included
- Alarm in case of malfunction: visual and acoustic
- Door alarm Fridge-freezer compartment: visual and acoustic

Freezer compartment ********

- 3 drawers, VarioSpace
- IceMaker for plumbed-in connection 3/4"
- Ice cube production in 24 h: 1.2 kg
- Ice cube storage: 5 kg
- LED lighting
- Storage time in the event of power cut: 9 h
- Freezing capacity in 24 h: 6 kg
- 2 cold storage accumulators
- Safety glass fittings

Key features

- Height-adjustable feet at front
- Reversible door hinging
- Replaceable door seal
- SmartSteel rear

Fridge and BioFresh compartment

- PowerCooling with FreshAir active carbon filter
- Premium GlassLine shelving with bottle holder, removable VarioBoxes, adjustable egg tray, butter dish
- 3 GlassLine shelves, of which 1 divisible
- Integrated bottle shelf
- LightTower
- LED BioFresh lighting
- 2 BioFresh safes with SoftTelescopic, 1 Fruit & Vegetable safe, 1 Meat & Dairy safe



Meat & Dairy safe

Do you want the tender veal fillet or fresh milk to stay fresh for as long as possible? The BioFresh safes will ensure this is the case. In the Meat & Dairy Safe, the temperature is close to 0 °C – ideal storage conditions for even the most delicate of foods. And best of all, everything is perfectly adjusted in the factory for immediate use – and for longer freshness.



Fruit & Vegetable safe

Crunchy salad and strawberries: the most delicate foods deserve a special place so they stay fresh longer – in BioFresh safes. In the Fruit & Vegetable safe the temperature is close to 0 °C. Combined here with the constant humidity, thanks to the air-tight closure, unpackaged fruit and vegetables feel particularly at home. You do not have to adjust anything.



LightTower

Enjoy an optimally illuminated interior: the LightTower shows off the food in its best light and is positioned so that all of your filled fridge is illuminated at all times. The flush mounting of the LightTower in the side walls means there is also more space for your food.



Touch & Swipe display

Control of your Liebherr at your fingertips: thanks to the Touch & Swipe display, you can operate your refrigerator intuitively and with ease. Simply select functions such as SuperCool on the colour display by tapping and swiping. The temperature is controlled just as easily. And, what if you are not actively using the display? Well, it then shows you the actual temperature.

¹ In accordance with Regulation EU 2019/2016 we indicate the total volume to the nearest integer (rounded off) and the volume of the frozen compartments and refrigeration compartments to one place after the decimal point. You can find the full range of efficiency classes on page 13. According to (EU) 2017/1369 6a.



IXRFA 5175

Peak

SIFNAd 5188 Peak	
Door-on-door / built-in appliance for integrated use	
Energy efficiency class:	D <small>A G</small>
Energy consumption per year / 24 h:	190 / 0.520 kWh
Total volume ¹ :	213 l
Volume:	Freezer compartment: 213 l
Noise output / Sound power level:	33 dB(A) / B, SuperSilent
Climate rating:	SN-T (from +10 °C to +43 °C)
Aperture dimensions in cm (h/w/d):	177.2 - 178.8 / 56 - 57 / at least 55.0



- Controls**
- 2 cold storage accumulators
 - 2.4" TFT-colour display, touch- & swipe-electronics
 - Digital temperature display
 - SmartDeviceBox included
 - Alarm in case of malfunction: visual and acoustic
 - Door alarm freezer compartment: visual and acoustic
- Key features**
- Side-panel heating on both sides, suitable for combination with other fridges, freezers and/or wine appliances
 - Height-adjustable feet at front
 - Left hand hinge, reversible
 - Replaceable door seal

- Freezer compartment** **4*****
- 8 drawers, of which 5 on telescopic rails, VarioSpace
 - IceTower
 - IceMaker for plumbed-in connection 3/4"
 - Ice cube production in 24 h: 0.8 kg
 - Ice cube storage: 5.7 kg
 - LED lighting
 - Storage time in the event of power cut: 9 h
 - Freezing capacity in 24 h: 12 kg

Choose from left (617) or right (001) hand hinge, fixed.
Must be chosen at the point of sale, or completed by Liebherr trained and approved service agents.

¹ In accordance with Regulation EU 2019/2016 we indicate the total volume to the nearest integer (rounded off) and the volume of the frozen compartments and refrigeration compartments to one place after the decimal point.



IXRF 5175

Peak

SIFNdi 5188 Peak	
Door-on-door / built-in appliance for integrated use	
Energy efficiency class:	D <small>A G</small>
Energy consumption per year / 24 h:	190 / 0.520 kWh
Total volume ¹ :	213 l
Volume:	Freezer compartment: 213 l
Noise output / Sound power level:	33 dB(A) / B, SuperSilent
Climate rating:	SN-T (from +10 °C to +43 °C)
Aperture dimensions in cm (h/w/d):	177.2 - 178.8 / 56 - 57 / at least 55.0



- Controls**
- 2.4" TFT-colour display, touch- & swipe-electronics
 - Digital temperature display
 - SmartDeviceBox included
 - Alarm in case of malfunction: visual and acoustic
 - Door alarm freezer compartment: visual and acoustic
- Key features**
- Side-panel heating on both sides, suitable for combination with other fridges, freezers and/or wine appliances
 - Height-adjustable feet at front
 - Left hand hinge, reversible
 - Replaceable door seal

- Freezer compartment** **4*****
- 8 drawers, of which 5 on telescopic rails, VarioSpace
 - IceTower
 - IceMaker for plumbed-in connection 3/4"
 - Ice cube storage: 5.7 kg
 - LED lighting
 - Storage time in the event of power cut: 9 h
 - Freezing capacity in 24 h: 12 kg
 - 2 cold storage accumulators
 - Safety glass fittings
 - Freezer tray

You can find the full range of efficiency classes on page 13. According to (EU) 2017/1369 6a.

IRBAC 5190 Peak	
Door-on-door / built-in appliance for integrated use	
Energy efficiency class:	C <small>A G</small>
Energy consumption per year / 24 h:	100 / 0.274 kWh
Total volume ¹ :	296 l
Volume:	Fridge: 198.1 l / BioFresh compartment: 97.9 l
Noise output / Sound power level:	32 dB(A) / B, SuperSilent
Climate rating:	SN-T (from +10 °C to +43 °C)
Aperture dimensions in cm (h/w/d):	177.2 - 178.8 / 56 - 57 / at least 55.0



- Controls**
- 2.4" TFT-colour display, touch- & swipe-electronics
 - Digital temperature display for refrigerator and BioFresh compartment
 - SmartDeviceBox included
 - Alarm in case of malfunction: visual and acoustic
 - Door alarm fridge compartment: visual and acoustic
- Key features**
- 3 BioFresh safes with SoftTelescopic, 2 Fruit & Vegetable safes, of which 1 with HydroBreeze, 1 Meat & Dairy safe, 1 FlexSystem
 - InfinitySpring with fixed water connection 3/4"
 - Height-adjustable feet at front
 - Reversible door hinging
 - Replaceable door seal
 - Rear wall and door panel in stainless steel with SmartSteel

- Fridge and BioFresh compartment**
- PowerCooling with Ambilight and FreshAir active carbon filter
 - Premium GlassLine shelving with bottle holder, removable VarioBoxes, adjustable egg tray, butter dish
 - 6 GlassLine shelves, of which 1 divisible
 - VarioSafe
 - Integrated bottle shelf
 - LightTower
 - LED BioFresh lighting

IRBPci 5170 Peak	
Door-on-door / built-in appliance for integrated use	
Energy efficiency class:	C <small>A G</small>
Energy consumption per year / 24 h:	100 / 0.274 kWh
Total volume ¹ :	297 l
Volume:	Fridge: 199.0 l / BioFresh compartment: 98.4 l
Noise output / Sound power level:	31 dB(A) / B, SuperSilent
Climate rating:	SN-T (from +10 °C to +43 °C)
Aperture dimensions in cm (h/w/d):	177.2 - 178.8 / 56 - 57 / at least 55.0



- Controls**
- 2.4" TFT-colour display, touch- & swipe-electronics
 - Digital temperature display for refrigerator and BioFresh compartment
 - SmartDeviceBox included
 - Alarm in case of malfunction: visual and acoustic
 - Door alarm fridge compartment: visual and acoustic
- Key features**
- Height-adjustable feet at front
 - Reversible door hinging
 - Replaceable door seal
 - Rear wall and door panel in stainless steel with SmartSteel

- Fridge and BioFresh compartment**
- PowerCooling with Ambilight and FreshAir active carbon filter
 - Variable egg tray, butter dish
 - 5 GlassLine drawers OpenStage on fully extendible telescopic rails with SoftTelescopic
 - Integrated bottle shelf
 - LightTower
 - LED BioFresh lighting
 - 3 BioFresh safes with SoftTelescopic, 2 Fruit & Vegetable safes, 1 Meat & Dairy safe, 1 FlexSystem



IXRFWbs 5174
Peak

SIFNbsdi 5188 Peak	EW7gb 3583 Vinidor	IRBPbsci 5170 Peak
Door-on-door / built-in appliance for integrated use	Flush-fitted insulated glass door / built-in appliance	Door-on-door / built-in appliance for integrated use
Energy efficiency class: D	Energy efficiency class: G	Energy efficiency class: C
Energy consumption per year / 24 h: 190 / 0.520 kWh	Energy consumption per year / 24 h: 165 / 0.452 kWh	Energy consumption per year / 24 h: 100 / 0.274 kWh
Total volume ¹ : 213 l	Max. Bordeaux bottles 0.75 l: 83 Total volume ¹ : 276 l	Total volume ¹ : 297 l
Noise output / Sound power level: 33 dB(A) / B, SuperSilent	Noise output / Sound power level: 32 dB(A) / B, SuperSilent	Noise output / Sound power level: 31 dB(A) / B, SuperSilent
Climate rating: SN-T (from +10 °C to +43 °C)	Climate rating: SN (from +10 °C to +32 °C)	Climate rating: SN-T (from +10 °C to +43 °C)
Aperture dimensions in cm (h/w/d): 177.2 - 178.8 / 56 - 57 / at least 55.0	Aperture dimensions in cm (h/w/d): 177.2-178 / 56-57 / at least 55.0	Aperture dimensions in cm (h/w/d): 177.2 - 178.8 / 56 - 57 / at least 55.0

No Frost	Super Frost	LED	Ice Tower	Ice Maker	Soft System
Telescopic Rails	Super Silent	Touch & Swipe-Display	VarioSpace	Smart Device	

2 Zones	Humidity Select	Fresh Air	UV Protect	Vibrate Safe	Steel Interior
LED	Soft System	Telescopic Rails	Tip Open	Super Silent	Presentation Board

Bio Fresh	Super Cool	Open Stage	Glass & Steel Interior	Light Tower	Soft System
Soft-Telescopic Rails	Super Silent	Touch & Swipe-Display	Smart Device		

Controls

- 2.4" TFT-colour display, touch- & swipe-electronics
- Digital temperature display
- SmartDeviceBox included
- Alarm in case of malfunction: visual and acoustic
- Door alarm freezer compartment: visual and acoustic

Freezer compartment *******

- 8 drawers, of which 5 on telescopic rails, VarioSpace
- IceTower
- IceMaker for plumbed-in connection 3/4"
- Ice cube production in 24 h: 0.8 kg
- Ice cube storage: 5.7 kg
- LED lighting
- Storage time in the event of power cut: 9 h
- Freezing capacity in 24 h: 12 kg
- 2 cold storage accumulators
- Safety glass fittings
- Freezer tray

Key features

- Side-panel heating on both sides, suitable for combination with other fridges, freezers and/or wine appliances
- Height-adjustable feet at front
- Left hand hinge, reversible
- Replaceable door seal

Controls

- LC display with digital temperature indicator, Touch electronics
- Digital temperature display for both wine zones
- Alarm in case of malfunction: visual and acoustic
- Audible door alarm
- Child lock function

Wine compartment

- 2 temperature zones, can be regulated between +5 °C to +20 °C
- 2 adjustable refrigeration circuits
- Convection cooling, FreshAir active carbon filter
- Humidity regulation via controllable ventilation
- LED Interior lighting with on/off function, dimmable
- Beechwood shelves
- 10 Shelves, of which 8 on telescopic rails, of which 1 is a presentation shelf

Key features

- TipOpen
- Height-adjustable feet at front
- Reversible door hinging
- Replaceable door seal
- Concealed hinge with restricted opening

Controls

- 2.4" TFT-colour display, touch- & swipe-electronics
- Digital temperature display for refrigerator and BioFresh compartment
- SmartDeviceBox included
- Alarm in case of malfunction: visual and acoustic
- Door alarm fridge compartment: visual and acoustic

Fridge and BioFresh compartment

- PowerCooling with Ambilight and FreshAir active carbon filter
- Variable egg tray, butter dish
- 5 GlassLine drawers OpenStage on fully extendible telescopic rails with SoftTelescopic
- Integrated bottle shelf
- LightTower
- LED BioFresh lighting
- 3 BioFresh safes with SoftTelescopic, 2 Fruit & Vegetable safes, 1 Meat & Dairy safe, 1 FlexSystem

Key features

- Height-adjustable feet at front
- Reversible door hinging
- Replaceable door seal
- Rear wall and door panel in BlackSteel

Please check with your kitchen installer that the cabinetry will accommodate the weight of the EWT.. 35.. models when fully loaded.

This special range of wine fridges (EWTdf) can either accept furniture overlay panels (supplied by your Kitchen Retailer) or the s/steel overlay accessory (at additional cost). These models are only bound for storing wine. Maximum DIN norm bordeaux bottles capacity (0.75 l) as per norm NF H 35-124 (H: 300.5 mm, Ø 76.1 mm)

¹ In accordance with Regulation EU 2019/2016 we indicate the total volume to the nearest integer (rounded off) and the volume of the frozen compartments and refrigeration compartments to one place after the decimal point. You can find the full range of efficiency classes on page 13. According to (EU) 2017/1369 6a.



IXRF 5165
Prime

SIFNdi 5188 Peak	
Door-on-door / built-in appliance for integrated use	
Energy efficiency class:	D <small>A G</small>
Energy consumption per year / 24 h:	190 / 0.520 kWh
Total volume ¹ :	213 l
Volume:	Freezer compartment: 213 l
Noise output / Sound power level:	33 dB(A) / B, SuperSilent
Climate rating:	SN-T (from +10 °C to +43 °C)
Aperture dimensions in cm (h/w/d):	177.2 - 178.8 / 56 - 57 / at least 55.0



Controls

- 2.4" TFT-colour display, touch- & swipe-electronics
- Digital temperature display
- SmartDeviceBox included
- Alarm in case of malfunction: visual and acoustic
- Door alarm freezer compartment: visual and acoustic

Freezer compartment ***

- 8 drawers, of which 5 on telescopic rails, VarioSpace
- IceTower
- IceMaker for plumbed-in connection 3/4"
- Ice cube storage: 5.7 kg
- LED lighting
- Storage time in the event of power cut: 9 h
- Freezing capacity in 24 h: 12 kg
- 2 cold storage accumulators
- Safety glass fittings
- Freezer tray

Key features

- Side-panel heating on both sides, suitable for combination with other fridges, freezers and/or wine appliances
- Height-adjustable feet at front
- Left hand hinge, reversible
- Replaceable door seal

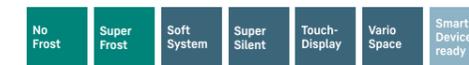
Stainless steel panel and handle available as optional accessory: No. 9902007

¹ In accordance with Regulation EU 2019/2016 we indicate the total volume to the nearest integer (rounded off) and the volume of the frozen compartments and refrigeration compartments to one place after the decimal point.



IXRF 5125
Plus

SIFNe 5128 Plus	
Door-on-door / built-in appliance for integrated use	
Energy efficiency class:	E <small>A G</small>
Energy consumption per year / 24 h:	237 / 0.649 kWh
Total volume ¹ :	213 l
Volume:	Freezer compartment: 213 l
Noise output / Sound power level:	33 dB(A) / B, SuperSilent
Climate rating:	SN-T (from +10 °C to +43 °C)
Aperture dimensions in cm (h/w/d):	177.2 - 178.8 / 56 - 57 / at least 55.0



Controls

- LC monochrome display, touch electronic
- Digital temperature display
- SmartDeviceBox: as an optional accessory
- Alarm in case of malfunction: visual and acoustic
- Door alarm freezer compartment: visual and acoustic

Freezer compartment ***

- 8 drawers with integrated drawer guide, VarioSpace
- Ice cube tray
- Storage time in the event of power cut: 9 h
- Freezing capacity in 24 h: 12 kg
- Freezer tray

Key features

- Side-panel heating on both sides, suitable for combination with other fridges, freezers and/or wine appliances
- Height-adjustable feet at front
- Left hand hinge, reversible
- Replaceable door seal

Stainless steel panel and handle available as optional accessory: No. 9902007

You can find the full range of efficiency classes on page 13. According to (EU) 2017/1369 6a.

IRBci 5150 Prime	
Door-on-door / built-in appliance for integrated use	
Energy efficiency class:	C <small>A G</small>
Energy consumption per year / 24 h:	100 / 0.274 kWh
Total volume ¹ :	296 l
Volume:	Fridge: 197.7 l / BioFresh compartment: 98.4 l
Noise output / Sound power level:	32 dB(A) / B, SuperSilent
Climate rating:	SN-T (from +10 °C to +43 °C)
Aperture dimensions in cm (h/w/d):	177.2 - 178.8 / 56 - 57 / at least 55.0



Controls

- 2.4" TFT-colour display, touch- & swipe-electronics
- Digital temperature display for refrigerator and BioFresh compartment
- SmartDeviceBox included
- Alarm in case of malfunction: visual and acoustic
- Door alarm fridge compartment: visual and acoustic

Fridge and BioFresh compartment

- PowerCooling with FreshAir active carbon filter
- Premium GlassLine shelving with bottle holder, removable VarioBoxes, adjustable egg tray, butter dish
- 6 GlassLine shelves, of which 1 divisible
- VarioSafe
- Integrated bottle shelf
- LightTower
- LED BioFresh lighting
- 3 BioFresh safes with SoftTelescopic, 2 Fruit & Vegetable safe, 1 Meat & Dairy safe

Key features

- Height-adjustable feet at front
- Reversible door hinging
- Replaceable door seal
- SmartSteel rear

IRBd 5120 Plus	
Door-on-door / built-in appliance for integrated use	
Energy efficiency class:	D <small>A G</small>
Energy consumption per year / 24 h:	125 / 0.342 kWh
Total volume ¹ :	294 l
Volume:	Fridge: 195.8 l / BioFresh compartment: 98.2 l
Noise output / Sound power level:	33 dB(A) / B, SuperSilent
Climate rating:	SN-T (from +10 °C to +43 °C)
Aperture dimensions in cm (h/w/d):	177.2 - 178.8 / 56 - 57 / at least 55.0



Controls

- LC monochrome display, touch electronic
- Digital temperature display for refrigerator compartment
- SmartDeviceBox: as an optional accessory
- Alarm in case of malfunction: visual and acoustic
- Door alarm fridge compartment: visual and acoustic

Fridge and BioFresh compartment

- PowerCooling with FreshAir active carbon filter
- Plastic storage racks with bottle holder, egg tray, FlexCube
- 6 GlassLine shelves, of which 1 divisible
- Integrated bottle shelf
- LED ceiling lighting
- 3 BioFresh safes with partial extension on telescopic rails, 2 Fruit & Vegetable safes, 1 Meat & Dairy safe

Key features

- Height-adjustable feet at front
- Reversible door hinging
- Replaceable door seal



IXRF 5100
Pure

SIFNe 5128 Plus		IRBd 5120 Plus	
Door-on-door / built-in appliance for integrated use		Door-on-door / built-in appliance for integrated use	
Energy efficiency class:	E <small>A G</small>	Energy efficiency class:	D <small>A G</small>
Energy consumption per year / 24 h:	237 / 0.649 kWh	Energy consumption per year / 24 h:	125 / 0.342 kWh
Total volume ¹ :	213 l	Total volume ¹ :	294 l
Volume:	Fridge: 195.8 l / BioFresh compartment: 98.2 l	Volume:	Fridge: 195.8 l / BioFresh compartment: 98.2 l
Noise output / Sound power level:	33 dB(A) / B, SuperSilent	Noise output / Sound power level:	33 dB(A) / B, SuperSilent
Climate rating:	SN-T (from +10 °C to +43 °C)	Climate rating:	SN-T (from +10 °C to +43 °C)
Aperture dimensions in cm (h/w/d):	177.2 - 178.8 / 56 - 57 / at least 55.0	Aperture dimensions in cm (h/w/d):	177.2 - 178.8 / 56 - 57 / at least 55.0



Controls

- LC monochrome display, touch electronic
- Digital temperature display
- SmartDeviceBox: as an optional accessory
- Alarm in case of malfunction: visual and acoustic
- Door alarm freezer compartment: visual and acoustic

Freezer compartment ***

- 8 drawers with integrated drawer guide, VarioSpace
- Ice cube tray
- Storage time in the event of power cut: 9 h
- Freezing capacity in 24 h: 12 kg
- Freezer tray

Key features

- Side-panel heating on both sides, suitable for combination with other fridges, freezers and/or wine appliances
- Height-adjustable feet at front
- Left hand hinge, reversible
- Replaceable door seal

Stainless steel panel and handle available as optional accessory: No. 9902007

¹ In accordance with Regulation EU 2019/2016 we indicate the total volume to the nearest integer (rounded off) and the volume of the frozen compartments and refrigeration compartments to one place after the decimal point.



IXRF 4555
Pure

SIFNdi 4556 Prime		IRBci 4550 Prime	
Door-on-door / built-in appliance for integrated use		Door-on-door / built-in appliance for integrated use	
Energy efficiency class:	D <small>A G</small>	Energy efficiency class:	C <small>A G</small>
Energy consumption per year / 24 h:	173 / 0.474 kWh	Energy consumption per year / 24 h:	92 / 0.252 kWh
Total volume ¹ :	156 l	Total volume ¹ :	224 l
Volume:	Fridge: 157.6 l / BioFresh compartment: 67.0 l	Volume:	Fridge: 157.6 l / BioFresh compartment: 67.0 l
Noise output / Sound power level:	34 dB(A) / B, SuperSilent	Noise output / Sound power level:	32 dB(A) / B, SuperSilent
Climate rating:	SN-T (from +10 °C to +43 °C)	Climate rating:	SN-T (from +10 °C to +43 °C)
Aperture dimensions in cm (h/w/d):	139.7 - 141.3 / 56 - 57 / at least 55.0	Aperture dimensions in cm (h/w/d):	139.7 - 141.3 / 56 - 57 / at least 55.0



Controls

- 2.4" TFT-colour display, touch- & swipe-electronics
- Digital temperature display
- SmartDeviceBox included
- Alarm in case of malfunction: visual and acoustic
- Door alarm freezer compartment: visual and acoustic

Freezer compartment ***

- 6 drawers with integrated drawer guide, VarioSpace
- Ice cube tray with lid
- LED lighting
- Storage time in the event of power cut: 10 h
- Freezing capacity in 24 h: 12 kg
- 2 cold storage accumulators
- Safety glass fittings
- Freezer tray

Key features

- Side-panel heating on both sides, suitable for combination with other fridges, freezers and/or wine appliances
- Height-adjustable feet at front
- Left hand hinge, reversible
- Replaceable door seal

Stainless steel panel and handle available as optional accessory: No. 9902007

You can find the full range of efficiency classes on page 13. According to (EU) 2017/1369 6a.



Controls

- 2.4" TFT-colour display, touch- & swipe-electronics
- Digital temperature display for refrigerator and BioFresh compartment
- SmartDeviceBox included
- Alarm in case of malfunction: visual and acoustic
- Door alarm fridge compartment: visual and acoustic

Fridge and BioFresh compartment

- PowerCooling with FreshAir active carbon filter
- Premium GlassLine shelving with bottle holder, removable VarioBoxes, adjustable egg tray, butter dish
- 4 GlassLine shelves, of which 1 divisible
- VarioSafe
- Integrated bottle shelf
- LightTower
- LED BioFresh lighting
- 2 BioFresh safes with SoftTelescopic, 1 Fruit & Vegetable safe, 1 Meat & Dairy safe

Key features

- Height-adjustable feet at front
- Reversible door hinging
- Replaceable door seal
- SmartSteel rear



NoFrost

When you open your freezer, you want to see frozen food – and certainly not ice and frost. NoFrost protects the freezer compartment from unwanted icing, which consumes a lot of energy and can be expensive. NoFrost means no more tedious and time-consuming defrosting of the freezer compartment, more time for other things – and saving money.



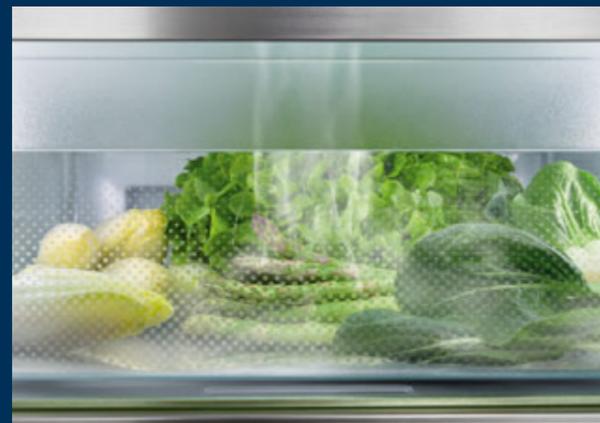
SuperSilent

Shhh – listen carefully. Your Liebherr is so quiet that you have to strain your ears to hear it. How is this achieved? All refrigeration components such as compressors, valves, fans and evaporators are optimised and perfectly adapted to one another. This means you only hear what you want to hear in your kitchen.



SoftSystem

From breakfast to a midnight snack – a fridge needs to be open and closed on many occasions. And your Liebherr makes this a lot of fun. With the SoftSystem, your fridge door closes softly and safely, and in a way which is pleasantly quiet and light. Bottles stored in the inside door remain securely in place – nothing rattles or wobbles.



BioFresh with HydroBreeze

Do you want to cool fruit and vegetables like professionals? You'll be inspired by HydroBreeze. The cold mist combined with a temperature in the safe of just over 0 °C gives food that extra boost for longer shelf life. And it creates a genuine visual wow effect. HydroBreeze is activated every 90 minutes for 4 seconds and for 8 seconds when the door is opened.



IXRFW 4173 Prime

SIFndi 4155 Prime	EWYgb 2383 Vinidor	IRBbi 4170 Peak
Door-on-door / built-in appliance for integrated use	Flush-fitted insulated glass door / built-in appliance	Door-on-door / built-in appliance for integrated use
Energy efficiency class: D	Energy efficiency class: G	Energy efficiency class: B
Energy consumption per year / 24 h: 165 / 0.452 kWh	Energy consumption per year / 24 h: 153 / 0.419 kWh	Energy consumption per year / 24 h: 72 / 0.197 kWh
Total volume ¹ : 129 l	Max. Bordeaux bottles 0.75 l: 51 Total volume ¹ : 171 l	Total volume ¹ : 191 l
Noise output / Sound power level: 34 dB(A) / B, SuperSilent	Noise output / Sound power level: 31 dB(A) / B, SuperSilent	Volume: Fridge: 124.4 l / BioFresh compartment: 66.6 l
Climate rating: SN-T (from +10 °C to +43 °C)	Climate rating: SN (from +10 °C to +32 °C)	Noise output / Sound power level: 29 dB(A) / A, UltraSilent
Aperture dimensions in cm (h/w/d): 121.6 - 122.6 / 56 - 57 / at least 55.0	Door: Black insulated glass door, handle and frame-free	Climate rating: SN-T (from +10 °C to +43 °C)
	Aperture dimensions in cm (h/w/d): 122-123.6 / 56-57 / at least 55.0	Aperture dimensions in cm (h/w/d): 121.6 - 123.1 / 56 - 57 / at least 55.0

No Frost	Super Frost	LED	Soft System	Super Silent	Touch & Swipe-Display
Vario Space	Smart Device				

- Controls**
- 2.4" TFT-colour display, touch- & swipe-electronics
 - Digital temperature display
 - SmartDeviceBox included
 - Alarm in case of malfunction: visual and acoustic
 - Door alarm freezer compartment: visual and acoustic

- Freezer compartment** *******
- 5 drawers with integrated drawer guide, VarioSpace
 - Ice cube tray with lid
 - LED lighting
 - Storage time in the event of power cut: 9 h
 - Freezing capacity in 24 h: 12 kg
 - 2 cold storage accumulators
 - Safety glass fittings
 - Freezer tray

- Key features**
- Side-panel heating and ceiling heating, suitable for combination with other fridges, freezers and/or wine appliances
 - Height-adjustable feet at front
 - Left hand hinge, reversible
 - Replaceable door seal

2 Zones	Humidity Select	Fresh Air	UV Protect	Vibrate Safe	Steel Interior
LED	Soft System	Telescopic Rails	Tip Open	Super Silent	Presentation Board

- Controls**
- LC display with digital temperature indicator, Touch electronics
 - Digital temperature display for both wine zones
 - Alarm in case of malfunction: visual and acoustic
 - Audible door alarm
 - Child lock function

- Wine compartment**
- 2 temperature zones, can be regulated between +5 °C to +20 °C
 - 2 adjustable refrigeration circuits
 - Convection cooling, FreshAir active carbon filter
 - Humidity regulation via controllable ventilation
 - LED lighting with on/off function, dimmable
 - Beechwood shelves
 - 6 Shelves, of which 4 on telescopic rails, of which 1 is a presentation shelf

- Key features**
- TipOpen
 - Height-adjustable feet at front
 - Reversible door hinging
 - Replaceable door seal
 - Concealed hinge with restricted opening

Bio Fresh Professional	Hydro Breeze	Super Cool	Glass & Steel Interior	Light Tower	Soft System
Smart Device					

- Controls**
- 2.4" TFT-colour display, touch- & swipe-electronics
 - Digital temperature display for refrigerator and BioFresh compartment
 - SmartDeviceBox included
 - Alarm in case of malfunction: visual and acoustic
 - Door alarm fridge compartment: visual and acoustic

- Fridge and BioFresh compartment**
- PowerCooling with Ambilight and FreshAir active carbon filter
 - Premium GlassLine shelving with bottle holder, removable VarioBoxes, adjustable egg tray, butter dish
 - 3 GlassLine shelves, of which 1 divisible
 - VarioSafe
 - Integrated bottle shelf
 - LightTower
 - LED BioFresh lighting
 - 2 BioFresh safes with SoftTelescopic, 1 Fruit & Vegetable safe with HydroBreeze, 1 Meat & Dairy safe, 1 FlexSystem

- Key features**
- Height-adjustable feet at front
 - Reversible door hinging
 - Replaceable door seal
 - Rear wall and door panel in stainless steel with SmartSteel

Please check with your kitchen installer that the cabinetry will accommodate the weight of the EWT.. 35.. models when fully loaded.

This special range of wine fridges (EWYdf) can either accept furniture overlay panels (supplied by your Kitchen Retailer) or the s/steel overlay accessory (at additional cost). These models are only bound for storing wine. Maximum DIN norm bordeaux bottles capacity (0.75 l) as per norm NF H 35-124 (H: 300.5 mm, Ø 76.1 mm)

¹ In accordance with Regulation EU 2019/2016 we indicate the total volume to the nearest integer (rounded off) and the volume of the frozen compartments and refrigeration compartments to one place after the decimal point. You can find the full range of efficiency classes on page 13. According to (EU) 2017/1369 6a.

Integrated Side-by-Side Freshness Centres



IXRFWB 3960

Prime

EWTDf 1653 Vinidor

Door-on-door / built-in appliance with décor panel

Energy efficiency class:



Energy consumption per year / 24 h: **142 / 0.389 kWh**

Max. Bordeaux bottles 0.75 l: **30**

Total volume ¹: **97 l**

Noise output / Sound power level: **32 dB(A) / B, SuperSilent**

Climate rating: **SN-ST (from +10 °C to +38 °C)**

Door: **Silver / Insulated glass door prepared for fridge door**

Aperture dimensions in cm (h/w/d): **87.4-89 / 56-57 / at least 55.0**



Controls

- LC display with digital temperature indicator, Touch electronics
- Digital temperature display for both wine zones
- Alarm in case of malfunction: visual and acoustic
- Audible door alarm
- Child lock function

Wine compartment

- 2 temperature zones, can be regulated between +5 °C to +20 °C
- 2 adjustable refrigeration circuits
- Convection cooling, FreshAir active carbon filter
- Humidity regulation via controllable ventilation
- LED Interior lighting with on/off function, dimmable
- Beechwood shelves
- 4 Shelves, of which 2 on telescopic rails, of which 1 is a presentation shelf

Key features

- Height-adjustable feet at front
- Reversible door hinging
- Concealed hinge with restricted opening

IRci 3950 Prime

Door-on-door / built-in appliance for integrated use

Energy efficiency class:



Energy consumption per year / 24 h: **60 / 0.164 kWh**

Total volume ¹: **136 l**

Noise output / Sound power level: **27 dB(A) / A, UltraSilent**

Climate rating: **SN-T (from +10 °C to +43 °C)**

Aperture dimensions in cm (h/w/d): **87.4 - 89 / 56 - 57 / at least 55.0**



Controls

- 2.4" TFT-colour display, touch- & swipe-electronics
- Digital temperature display
- SmartDeviceBox included
- Alarm in case of malfunction: visual and acoustic
- Door alarm fridge compartment: visual and acoustic

Fridge compartment

- Premium GlassLine shelving with bottle holder, removable VarioBoxes, adjustable egg tray, butter dish
- 4 GlassLine shelves, of which 1 divisible
- VarioSafe
- 3 Bottle shelf
- LED ceiling lighting
- 1 EasyFresh safe

Key features

- Height-adjustable feet at front
- Reversible door hinging
- Replaceable door seal

IFNci 3954 Prime

Door-on-door / built-in appliance for integrated use

Energy efficiency class:



Energy consumption per year / 24 h: **122 / 0.334 kWh**

Total volume ¹: **87 l**

Noise output / Sound power level: **33 dB(A) / B, SuperSilent**

Climate rating: **SN-T (from +10 °C to +43 °C)**

Aperture dimensions in cm (h/w/d): **87.4 - 89 / 56 - 57 / at least 55.0**



Controls

- 2.4" TFT-colour display, touch- & swipe-electronics
- Digital temperature display
- SmartDeviceBox included
- Alarm in case of malfunction: visual and acoustic
- Door alarm freezer compartment: visual and acoustic

Freezer compartment

- 4 drawers, VarioSpace
- Ice cube tray with lid
- LED lighting
- Storage time in the event of power cut: 10 h
- Freezing capacity in 24 h: 10 kg
- 2 cold storage accumulators
- Safety glass fittings
- Freezer tray

Key features

- Ceiling heating for Side-by-Side concept
- Height-adjustable feet at front
- Reversible door hinging
- Replaceable door seal

SIBa20i 3950 Prime

Door-on-door / built-in appliance for integrated use

Energy efficiency class:



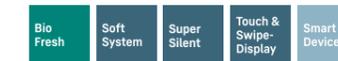
Energy consumption per year / 24 h: **63 / 0.172 kWh**

Total volume ¹: **87 l**

Noise output / Sound power level: **34 dB(A) / B, SuperSilent**

Climate rating: **SN-T (from +10 °C to +43 °C)**

Aperture dimensions in cm (h/w/d): **87.4 - 89 / 56 - 57 / at least 55.0**



Controls

- 2.4" TFT-colour display, touch- & swipe-electronics
- Digital temperature display
- SmartDeviceBox included
- Alarm in case of malfunction: visual and acoustic
- Door alarm freezer compartment: visual and acoustic

Fridge and BioFresh compartment

- 2 GlassLine shelves
- LED lighting
- LED BioFresh lighting
- 4 BioFresh safes safety glass fittings

Key features

- Side-panel heating and ceiling heating, suitable for combination with other fridges, freezers and/or wine appliances
- Height-adjustable feet at front
- IRversible door hinging
- Replaceable door seal



Please check with your kitchen installer that the cabinetry will accommodate the weight of the EWT.. 35.. models when fully loaded.

This special range of wine fridges (EWTDf) can either accept furniture overlay panels (supplied by your Kitchen Retailer) or the s/steel overlay accessory (at additional cost). These models are only bound for storing wine. Maximum DIN norm bordeaux bottles capacity (0.75 l) as per norm NF H 35-124 (H: 300.5 mm, Ø 76.1 mm)

¹ In accordance with Regulation EU 2019/2016 we indicate the total volume to the nearest integer (rounded off) and the volume of the frozen compartments and refrigeration compartments to one place after the decimal point. You can find the full range of efficiency classes on page 13. According to (EU) 2017/1369 6a.

Fridge-freezers



SICNdi 5153 ◯ Prime series

Fridge-freezers



○ Pure Series



◇ Plus series



◻ Prime series



△ Peak series

	○ Pure series	◇ Plus series	◻ Prime series	△ Peak series
Freshness technology	EasyFresh	EasyFresh	EasyFresh on telescopic rails	EasyFresh on telescopic rails
		BioFresh on telescopic rails	BioFresh with SoftTelescopic	BioFresh Professional with SoftTelescopic
	DuoCooling	DuoCooling	DuoCooling	DuoCooling
	FreshAir filter	FreshAir filter	FreshAir filter	FreshAir filter
	SmartFrost	SmartFrost	SmartFrost	SmartFrost
	NoFrost	NoFrost	NoFrost	NoFrost on telescopic rails
Comfort & flexibility		Divisible glass shelf	Divisible glass shelf	Divisible glass shelf
		SoftSystem soft stop mechanism	SoftSystem soft stop mechanism	SoftSystem soft stop mechanism
		VarioSafe	VarioSafe	VarioSafe
			VarioBoxes	VarioBoxes
			Butter dish	Butter dish
	Egg tray	Egg tray	2in1 egg tray	2in1 egg tray
		Bottle shelf	Bottle shelf	Bottle shelf
		Ice cube tray	Ice cube tray with lid	Ice cube tray with lid
				FlexSystem
				Freezer tray
Design	Ceiling or side lighting fridge compartment	Ceiling or side lighting fridge compartment	LightTower	LightTower
			Lighting BioFresh safe	Lighting BioFresh safe
			Freezer light	Freezer light
				IceMaker lighting
				Fan lighting
			SmartSteel rear wall	SmartSteel rear wall
				SmartSteel door interior
	Transparant glass	Transparant glass	Satin finish glass	Satin finish glass
	Stainless steel look shelves	Stainless steel look shelves	Glass & stainless steel rack	Glass & stainless steel rack
	Touch display	Touch display	Touch & Swipe display	Touch & Swipe display
Connectivity (SmartDeviceBox)	Can be retrofitted	Can be retrofitted or is included with "i" models	Can be retrofitted or is included with "i" models	Can be retrofitted or is included with "i" models
Water & ice		IceMaker	IceMaker	IceMaker
				InfinitySpring

The standard features mentioned above may vary depending on the model. Details can be found in the model description.

Quality down to the finest detail



EasyFresh

The guarantee of market freshness in the home is our EasyFreshSafe. Whether it's unpackaged vegetables or fruit, this ensures optimal storage for everything. Thanks to the air-tight closure, the food causes the humidity in the safe to rise. This keeps the food fresh for a long time.



SuperSilent

Shhh – listen carefully. Your Liebherr is so quiet that you have to strain your ears to hear it. How is this achieved? All refrigeration components such as compressors, valves, fans and evaporators are optimised and perfectly adapted to one another. This means you only hear what you want to hear in your kitchen.



IceMaker

Are there any ice cubes left? An IceMaker means you never have to ask. With the IceMaker with fixed water connection, the water comes directly from the tap. The MaxIce function allows you to produce up to 1.5 kg of ice cubes a day. The ice cube separator helps to divide the drawer into any size you want – for example, ice cubes on the left, ice cream on the right – or just for ice cubes.



LED freezer compartment lighting

The LED freezer compartment lighting ensures your freezer drawers are pleasantly lit. This makes it even easier for you to find the food you want. The energy-efficient LED unit is elegantly positioned above the drawers to save space.



LightTower

Enjoy an optimally illuminated interior: the LightTower shows off the food in its best light and is positioned so that all of your filled fridge is illuminated at all times. The flush mounting of the LightTower in the side walls means there is also more space for your food.



FlexSystem

Small and delicate fruit in the refrigerator can easily roll out of sight or become crushed. That's why your Liebherr comes with the FlexSystem. Two flexibly positionable boxes in the BioFresh safe ensure everything is clearly arranged and organised. And they also safely protect even the smallest raspberry from bruising or from being mixed up with other foods.



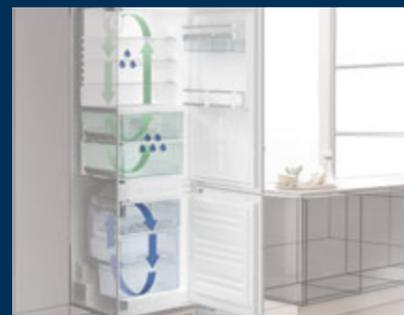
NoFrost

When you open your freezer, you want to see frozen food – and certainly not ice and frost. NoFrost protects the freezer compartment from unwanted icing, which consumes a lot of energy and can be expensive. NoFrost means no more tedious and time-consuming defrosting of the freezer compartment, more time for other things – and saving money.



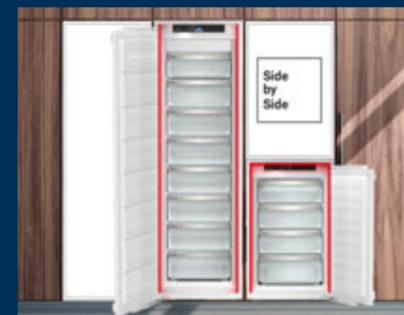
BioFresh Professional

Do you want to cool fruit and vegetables like professionals? You'll be inspired by HydroBreeze. The cold mist combined with a temperature in the safe of around 0 °C gives food that extra boost for longer shelf life. And it creates a genuine visual wow effect. HydroBreeze is activated every 90 min. for 4 seconds and for 8 seconds when the door is opened.



DuoCooling

DuoCooling uses two completely separate refrigeration circuits to ensure no air is exchanged between the fridge and freezer compartments. The food neither dries out nor is odour transferred. This means throwing less away, shopping less often, but saving more and greater enjoyment.



Side-by-Side concept

The side-by-side concept makes it possible to position fridges, freezers and wine fridges to suit your needs. Special technology for controlling the environment between appliances with major temperature differences enables numerous combinations. More information see pages 30-33.



Ice cube tray with lid

The large ice cube tray is easy to fill with water thanks to its convenient fill opening. The lid seals on tightly so that the tray can be safely moved and placed in the appliance without spills.



2 in 1 egg tray

Do you like chicken eggs? So does your Liebherr – that's why it has the 2in1 egg tray. This not only provides space for up to 20 chicken eggs, but also for up to 24 quail eggs. The egg tray consists of an outer and an inner part which can be slid into each other in different ways. By turning the tray over, the quail egg holes can be used.

Combined refrigerator-freezer with BioFresh and NoFrost for integrated use

Combined refrigerator-freezer with BioFresh and NoFrost for integrated use



ICBNci 5183
Peak

Door-on-door / built-in appliance for integrated use	
Energy efficiency class:	C
Energy consumption per year / 24 h:	166 / 0.454 kWh
Total volume ¹ :	246 l
Volume: Fridge: 104.5 l / BioFresh compartment: 70.7 l / Freezer compartment: 71 l	
Noise output / Sound power level:	33 dB(A) / B, SuperSilent
Climate rating:	SN-ST (from +10 °C to +38 °C)
Aperture dimensions in cm (h/w/d):	177.2 - 178.8 / 56 - 57 / at least 55.0

Bio Fresh Professional	Hydro Breeze	Duo Cooling	No Frost	Super Cool	Super Frost	Glass & Steel Interior	Light Tower	Infinity Spring
Ice Maker	Soft System	Soft-Telescopic Rails	Super Silent	Touch & Swipe-Display	Vario Space	Smart Device		

Controls

- 2.4" TFT-colour display, touch- & swipe-electronics
- Digital temperature display for fridge, BioFresh and freezer compartments
- SmartDeviceBox included
- Alarm in case of malfunction: visual and acoustic
- Door alarm Fridge-freezer compartment: visual and acoustic

Freezer compartment ****

- 3 drawers, of which 2 on telescopic rails, VarioSpace
- IceMaker for plumbed-in connection 3/4"
- Ice cube production in 24 h: 1.2 kg
- Ice cube storage: 5 kg
- LED lighting
- Storage time in the event of power cut: 9 h
- Freezing capacity in 24 h: 6 kg
- 2 cold storage accumulators
- Safety glass fittings
- Freezer tray

Fridge and BioFresh compartment

- PowerCooling with Ambilight and FreshAir active carbon filter
- Premium GlassLine shelving with bottle holder, removable VarioBoxes, adjustable egg tray, butter dish
- 3 GlassLine shelves, of which 1 divisible
- Integrated bottle shelf
- LightTower
- LED BioFresh lighting
- 2 BioFresh safes with SoftTelescopic, 1 Fruit & Vegetable safe with HydroBreeze, 1 Meat & Dairy safe, 1 FlexSystem
- InfinitySpring with fixed water connection 3/4"

Key features

- Height-adjustable feet at front
- Reversible door hinging
- Replaceable door seal
- Rear wall and door panel in stainless steel with SmartSteel



ICBNbsci 5173
Peak

Door-on-door / built-in appliance for integrated use	
Energy efficiency class:	C
Energy consumption per year / 24 h:	166 / 0.454 kWh
Total volume ¹ :	246 l
Volume: Fridge: 104.5 l / BioFresh compartment: 70.7 l / Freezer compartment: 71 l	
Noise output / Sound power level:	33 dB(A) / B, SuperSilent
Climate rating:	SN-ST (from +10 °C to +38 °C)
Aperture dimensions in cm (h/w/d):	177.2 - 178.8 / 56 - 57 / at least 55.0

Bio Fresh Professional	Hydro Breeze	Duo Cooling	No Frost	Super Cool	Super Frost	Glass & Steel Interior	Light Tower	Ice Maker
Soft System	Soft-Telescopic Rails	Super Silent	Touch & Swipe-Display	Vario Space	Smart Device			

Controls

- 2.4" TFT-colour display, touch- & swipe-electronics
- Digital temperature display for fridge, BioFresh and freezer compartments
- SmartDeviceBox included
- Alarm in case of malfunction: visual and acoustic
- Door alarm Fridge-freezer compartment: visual and acoustic

Freezer compartment ****

- 3 drawers, of which 2 on telescopic rails, VarioSpace
- IceMaker for plumbed-in connection 3/4"
- Ice cube production in 24 h: 1.2 kg
- Ice cube storage: 5 kg
- LED lighting
- Storage time in the event of power cut: 9 h
- Freezing capacity in 24 h: 6 kg
- 2 cold storage accumulators
- Safety glass fittings
- Freezer tray

Fridge and BioFresh compartment

- PowerCooling with Ambilight and FreshAir active carbon filter
- Premium GlassLine shelving with bottle holder, removable VarioBoxes, adjustable egg tray, butter dish
- 3 GlassLine shelves, of which 1 divisible
- Integrated bottle shelf
- LightTower
- LED BioFresh lighting
- 2 BioFresh safes with SoftTelescopic, 1 Fruit & Vegetable safe with HydroBreeze, 1 Meat & Dairy safe, 1 FlexSystem

Key features

- Height-adjustable feet at front
- Reversible door hinging
- Replaceable door seal
- Rear wall and door panel in BlackSteel



ICBNdi 5173
Peak

Door-on-door / built-in appliance for integrated use	
Energy efficiency class:	D
Energy consumption per year / 24 h:	208 / 0.569 kWh
Total volume ¹ :	243 l
Volume: Fridge: 104.5 l / BioFresh compartment: 68.1 l / Freezer compartment: 71 l	
Noise output / Sound power level:	34 dB(A) / B, SuperSilent
Climate rating:	SN-ST (from +10 °C to +38 °C)
Aperture dimensions in cm (h/w/d):	177.2 - 178.8 / 56 - 57 / at least 55.0

Bio Fresh Professional	Hydro Breeze	Fish & Seafood	Duo Cooling	No Frost	Super Cool	Super Frost	Glass & Steel Interior	Light Tower
Ice Maker	Soft System	Soft-Telescopic Rails	Super Silent	Touch & Swipe-Display	Vario Space	Smart Device		

Controls

- 2.4" TFT-colour display, touch- & swipe-electronics
- Digital temperature display for fridge, BioFresh and freezer compartments
- SmartDeviceBox included
- Alarm in case of malfunction: visual and acoustic
- Door alarm Fridge-freezer compartment: visual and acoustic

Freezer compartment ****

- 3 drawers, of which 2 on telescopic rails, VarioSpace
- IceMaker for plumbed-in connection 3/4"
- Ice cube production in 24 h: 1.2 kg
- Ice cube storage: 5 kg
- LED lighting
- Storage time in the event of power cut: 9 h
- Freezing capacity in 24 h: 6 kg
- 2 cold storage accumulators
- Safety glass fittings
- Freezer tray

Fridge and BioFresh compartment

- PowerCooling with Ambilight and FreshAir active carbon filter
- Premium GlassLine shelving with bottle holder, removable VarioBoxes, adjustable egg tray, butter dish
- 3 GlassLine shelves, of which 1 divisible
- Integrated bottle shelf
- LightTower
- LED BioFresh lighting
- 2 BioFresh safes with SoftTelescopic, 1 Fruit & Vegetable safe with HydroBreeze, 1 Fish & Seafood safe, 1 FlexSystem

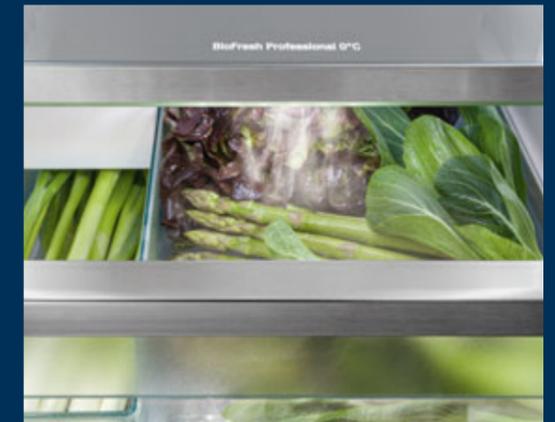
Key features

- Height-adjustable feet at front
- Reversible door hinging
- Replaceable door seal
- Rear wall and door panel in stainless steel with SmartSteel



BlackSteel-interior

Refine your dark kitchen with our BlackSteel interior appliances. The rear wall and inner door impress with surfaces made of black stainless steel. The anti-fingerprint finish makes this resistant to fingerprints. All trims are accentuated in BlackSteel to complete a dark appearance. A Liebherr with BlackSteel interior perfectly fits into modern dark kitchens and stands out with elegance.



BioFresh with HydroBreeze

Do you want to cool fruit and vegetables like professionals? You'll be inspired by HydroBreeze. The cold mist combined with a temperature in the safe of just over 0 °C gives food that extra boost for longer shelf life. And it creates a genuine visual wow effect. HydroBreeze is activated every 90 minutes for 4 seconds and for 8 seconds when the door is opened.

¹ In accordance with Regulation EU 2019/2016 we indicate the total volume to the nearest integer (rounded off) and the volume of the frozen compartments and refrigeration compartments to one place after the decimal point.

You can find the full range of efficiency classes on page 13. According to (EU) 2017/1369 6a.

Combined refrigerator-freezer with BioFresh and NoFrost for integrated use

Combined refrigerator-freezer with BioFresh for integrated use



ICBNdi 5163
Prime

Door-on-door / built-in appliance for integrated use	
Energy efficiency class:	D
Energy consumption per year / 24 h:	208 / 0.569 kWh
Total volume ¹ :	246 l
Volume: Fridge: 104.1 l / BioFresh compartment: 71.2 l / Freezer compartment: 71 l	
Noise output / Sound power level:	34 dB(A) / B, SuperSilent
Climate rating:	SN-ST (from +10 °C to +38 °C)
Aperture dimensions in cm (h/w/d):	177.2 - 178.8 / 56 - 57 / at least 55.0

Bio Fresh	Duo Cooling	No Frost	Super Cool	Super Frost	Glass & Steel Interior	Light Tower	Ice Maker	Soft System
Soft-Telescopic Rails	Super Silent	Touch & Swipe-Display	VarioSpace	Smart Device				

Controls

- 2.4" TFT-colour display, touch- & swipe-electronics
- Digital temperature display for fridge, BioFresh and freezer compartments
- SmartDeviceBox included
- Alarm in case of malfunction: visual and acoustic
- Door alarm Fridge-freezer compartment: visual and acoustic

Freezer compartment ****

- 3 drawers, VarioSpace
- IceMaker for plumbed-in connection 3/4"
- Ice cube production in 24 h: 1.2 kg
- Ice cube storage: 5 kg
- LED lighting
- Storage time in the event of power cut: 9 h
- Freezing capacity in 24 h: 6 kg
- 2 cold storage accumulators
- Safety glass fittings

Fridge and BioFresh compartment

- PowerCooling with FreshAir active carbon filter
- Premium GlassLine shelving with bottle holder, removable VarioBoxes, adjustable egg tray, butter dish
- 3 GlassLine shelves, of which 1 divisible
- Integrated bottle shelf
- LightTower
- LED BioFresh lighting
- 2 BioFresh safes with SoftTelescopic, 1 Fruit & Vegetable safe, 1 Meat & Dairy safe

Key features

- Height-adjustable feet at front
- Reversible door hinging
- Replaceable door seal
- SmartSteel rear



ICBNci 5153
Prime

Door-on-door / built-in appliance for integrated use	
Energy efficiency class:	C
Energy consumption per year / 24 h:	166 / 0.454 kWh
Total volume ¹ :	245 l
Volume: Fridge: 104.1 l / BioFresh compartment: 71.2 l / Freezer compartment: 70 l	
Noise output / Sound power level:	33 dB(A) / B, SuperSilent
Climate rating:	SN-ST (from +10 °C to +38 °C)
Aperture dimensions in cm (h/w/d):	177.2 - 178.8 / 56 - 57 / at least 55.0

Bio Fresh	Duo Cooling	No Frost	Super Cool	Super Frost	Glass & Steel Interior	Light Tower	Soft System	Soft-Telescopic Rails
Super Silent	Touch & Swipe-Display	VarioSpace	Smart Device					

Controls

- 2.4" TFT-colour display, touch- & swipe-electronics
- Digital temperature display for fridge, BioFresh and freezer compartments
- SmartDeviceBox included
- Alarm in case of malfunction: visual and acoustic
- Door alarm Fridge-freezer compartment: visual and acoustic

Freezer compartment ****

- 3 drawers, VarioSpace
- Ice cube tray with lid
- LED lighting
- Storage time in the event of power cut: 9 h
- Freezing capacity in 24 h: 6 kg
- 2 cold storage accumulators
- Safety glass fittings

Key features

- Height-adjustable feet at front
- Reversible door hinging
- Replaceable door seal
- SmartSteel rear

Fridge and BioFresh compartment

- PowerCooling with FreshAir active carbon filter
- Premium GlassLine shelving with bottle holder, removable VarioBoxes, adjustable egg tray, butter dish
- 3 GlassLine shelves, of which 1 divisible
- Integrated bottle shelf
- LightTower
- LED BioFresh lighting
- 2 BioFresh safes with SoftTelescopic, 1 Fruit & Vegetable safe, 1 Meat & Dairy safe



ICBNdi 5123
Plus

Door-on-door / built-in appliance for integrated use	
Energy efficiency class:	D
Energy consumption per year / 24 h:	207 / 0.567 kWh
Total volume ¹ :	244 l
Volume: Fridge: 103.3 l / BioFresh compartment: 70.9 l / Freezer compartment: 70 l	
Noise output / Sound power level:	34 dB(A) / B, SuperSilent
Climate rating:	SN-ST (from +10 °C to +38 °C)
Aperture dimensions in cm (h/w/d):	177.2 - 178.8 / 56 - 57 / at least 55.0

Bio Fresh	Duo Cooling	No Frost	Super Cool	Super Frost	Soft System	Super Silent	Touch-Display	VarioSpace
Smart Device								

Controls

- LC monochrome display, touch electronic
- Digital temperature display for refrigerator and freezer compartment
- SmartDeviceBox included
- Alarm in case of malfunction: visual and acoustic
- Door alarm Fridge-freezer compartment: visual and acoustic

Freezer compartment ****

- 3 drawers, VarioSpace
- Ice cube tray
- Storage time in the event of power cut: 9 h
- Freezing capacity in 24 h: 6 kg
- Safety glass fittings

Key features

- Height-adjustable feet at front
- Reversible door hinging
- Replaceable door seal

Fridge and BioFresh compartment

- PowerCooling with FreshAir active carbon filter
- Plastic storage racks with bottle holder, egg tray, FlexCube
- 3 GlassLine shelves, of which 1 divisible
- Integrated bottle shelf
- LED ceiling lighting
- 2 BioFresh safes with partial extension on telescopic rails, 1 Fruit & Vegetable safe, 1 Meat & Dairy safe



ICBCi 5182
Peak

Door-on-door / built-in appliance for integrated use	
Energy efficiency class:	C
Energy consumption per year / 24 h:	145 / 0.397 kWh
Total volume ¹ :	256 l
Volume: Fridge: 131.6 l / BioFresh compartment: 70.7 l / Freezer compartment: 54 l	
Noise output / Sound power level:	32 dB(A) / B, SuperSilent
Climate rating:	SN-T (from +10 °C to +43 °C)
Aperture dimensions in cm (h/w/d):	177.2 - 178.8 / 56 - 57 / at least 55.0

Bio Fresh Professional	Hydro Breeze	Duo Cooling	Smart Frost	Super Cool	Super Frost	Glass & Steel Interior	Light Tower	Infinity Spring
Soft System	Soft-Telescopic Rails	Super Silent	Touch & Swipe-Display	VarioSpace	Smart Device			

Controls

- 2.4" TFT-colour display, touch- & swipe-electronics
- Digital temperature display for fridge, BioFresh and freezer compartments
- SmartDeviceBox included
- Alarm in case of malfunction: visual and acoustic
- Door alarm Fridge-freezer compartment: visual and acoustic

Freezer compartment ****

- InfinitySpring with fixed water connection 3/4"
- 2 drawers, of which 2 on telescopic rails, VarioSpace
- Ice cube tray with lid
- LED lighting
- Storage time in the event of power cut: 9 h
- Freezing capacity in 24 h: 4 kg
- 2 cold storage accumulators
- Safety glass fittings
- Freezer tray

Fridge and BioFresh compartment

- PowerCooling with Ambilight and FreshAir active carbon filter
- Premium GlassLine shelving with bottle holder, removable VarioBoxes, adjustable egg tray, butter dish
- 4 GlassLine shelves, of which 1 divisible
- VarioSafe
- Integrated bottle shelf
- LightTower
- LED BioFresh lighting
- 2 BioFresh safes with SoftTelescopic, 1 Fruit & Vegetable safe with HydroBreeze, 1 Meat & Dairy safe, 1 FlexSystem

Key features

- Height-adjustable feet at front
- Reversible door hinging
- Rear wall and door panel in stainless steel with SmartSteel
- Replaceable door seal

¹ In accordance with Regulation EU 2019/2016 we indicate the total volume to the nearest integer (rounded off) and the volume of the frozen compartments and refrigeration compartments to one place after the decimal point.

You can find the full range of efficiency classes on page 13. According to (EU) 2017/1369 6a.

Combined refrigerator-freezer with BioFresh and SmartFrost for integrated use



DuoCooling

DuoCooling uses two completely separate refrigeration circuits to ensure no air is exchanged between the fridge and freezer compartments. The food neither dries out nor is odour transferred. This means throwing less away, shopping less often, but saving more and greater enjoyment.



SmartFrost. Less frequent defrosting.

SmartFrost technology significantly reduces frost build-up in the interior and on the frozen food. Defrosting is then required less regularly. The interior walls are particularly smooth and easy to clean.

Combined refrigerator-freezer with BioFresh and SmartFrost for integrated use



ICBbi 5152 Prime

Door-on-door / built-in appliance for integrated use	
Energy efficiency class:	B <small>A G</small>
Energy consumption per year / 24 h:	116 / 0.317 kWh
Total volume ¹ :	256 l
Volume: Fridge: 131.0 l / BioFresh compartment: 71.2 l / Freezer compartment: 54 l	
Noise output / Sound power level:	29 dB(A) / A, UltraSilent
Climate rating:	SN-T (from +10 °C to +43 °C)
Aperture dimensions in cm (h/w/d):	177.2 - 178.8 / 56 - 57 / at least 55.0

Bio Fresh	Duo Cooling	Smart Frost	Super Cool	Super Frost	Glass & Steel interior	Light Tower	Soft System	Soft-Telescopic Rails
Ultra Silent	Touch & Swipe-Display	Vario Space	Smart Device					

Controls

- 2.4" TFT-colour display, touch- & swipe-electronics
- Digital temperature display for fridge, BioFresh and freezer compartments
- SmartDeviceBox included
- Alarm in case of malfunction: visual and acoustic
- Door alarm Fridge-freezer compartment: visual and acoustic

Fridge and BioFresh compartment

- PowerCooling with FreshAir active carbon filter
- Premium GlassLine shelving with bottle holder, removable VarioBoxes, adjustable egg tray, butter dish
- 4 GlassLine shelves, of which 1 divisible
- VarioSafe
- Integrated bottle shelf
- LightTower
- LED BioFresh lighting
- 2 BioFresh safes with SoftTelescopic, 1 Fruit & Vegetable safe, 1 Meat & Dairy safe

Freezer compartment ********

- 2 drawers, VarioSpace
- Ice cube tray with lid
- LED lighting
- Storage time in the event of power cut: 9 h
- Freezing capacity in 24 h: 4 kg
- 2 cold storage accumulators
- Safety glass fittings

Key features

- Height-adjustable feet at front
- Reversible door hinging
- Replaceable door seal
- SmartSteel rear



ICBbi 5122 Plus

Door-on-door / built-in appliance for integrated use	
Energy efficiency class:	B <small>A G</small>
Energy consumption per year / 24 h:	116 / 0.317 kWh
Total volume ¹ :	255 l
Volume: Fridge: 130.0 l / BioFresh compartment: 70.9 l / Freezer compartment: 54 l	
Noise output / Sound power level:	29 dB(A) / A, UltraSilent
Climate rating:	SN-T (from +10 °C to +43 °C)
Aperture dimensions in cm (h/w/d):	177.2 - 178.8 / 56 - 57 / at least 55.0

Bio Fresh	Duo Cooling	Smart Frost	Super Cool	Super Frost	Soft System	Ultra Silent	Touch-Display	Vario Space
Smart Device								

Controls

- LC monochrome display, touch electronic
- Digital temperature display for refrigerator and freezer compartment
- SmartDeviceBox included
- Alarm in case of malfunction: visual and acoustic
- Door alarm Fridge-freezer compartment: visual and acoustic

Fridge and BioFresh compartment

- PowerCooling with FreshAir active carbon filter
- Plastic storage racks with bottle holder, egg tray, FlexCube
- 4 GlassLine shelves, of which 1 divisible
- Integrated bottle shelf
- LED ceiling lighting
- 2 BioFresh safes with partial extension on telescopic rails, 1 Fruit & Vegetable safe, 1 Meat & Dairy safe

Freezer compartment ********

- 2 drawers, VarioSpace
- Ice cube tray
- Storage time in the event of power cut: 9 h
- Freezing capacity in 24 h: 4 kg
- Safety glass fittings

Key features

- Height-adjustable feet at front
- Reversible door hinging
- Replaceable door seal



ICBSD 5122 Plus

Sliding door / built-in appliance for integrated use	
Energy efficiency class:	D <small>A G</small>
Energy consumption per year / 24 h:	182 / 0.498 kWh
Total volume ¹ :	255 l
Volume: Fridge: 130.0 l / BioFresh compartment: 70.9 l / Freezer compartment: 54 l	
Noise output / Sound power level:	32 dB(A) / B, SuperSilent
Climate rating:	SN-T (from +10 °C to +43 °C)
Aperture dimensions in cm (h/w/d):	177.2 - 178.8 / 56 - 57 / at least 55.0

Bio Fresh	Duo Cooling	Smart Frost	Super Cool	Super Frost	Super Silent	Touch-Display	Vario Space	Smart Device ready
-----------	-------------	-------------	------------	-------------	--------------	---------------	-------------	--------------------

Controls

- LC monochrome display, touch electronic
- Digital temperature display for refrigerator and freezer compartment
- SmartDeviceBox: as an optional accessory
- Alarm in case of malfunction: visual and acoustic
- Door alarm Fridge-freezer compartment: visual and acoustic

Fridge and BioFresh compartment

- PowerCooling with FreshAir active carbon filter
- Plastic storage racks with bottle holder, egg tray, FlexCube
- 4 GlassLine shelves, of which 1 divisible
- Integrated bottle shelf
- LED ceiling lighting
- 2 BioFresh safes with partial extension on telescopic rails, 1 Fruit & Vegetable safe, 1 Meat & Dairy safe

Freezer compartment ********

- 2 drawers, VarioSpace
- Ice cube tray
- Storage time in the event of power cut: 9 h
- Freezing capacity in 24 h: 4 kg
- Safety glass fittings

Key features

- Height-adjustable feet at front
- Reversible door hinging
- Replaceable door seal

¹ In accordance with Regulation EU 2019/2016 we indicate the total volume to the nearest integer (rounded off) and the volume of the frozen compartments and refrigeration compartments to one place after the decimal point.

You can find the full range of efficiency classes on page 13. According to (EU) 2017/1369 6a.

Combined refrigerator-freezer with EasyFresh and NoFrost for integrated use



ICNci 5173
Peak

Door-on-door / built-in appliance for integrated use	
Energy efficiency class:	C
Energy consumption per year / 24 h:	146 / 0.400 kWh
Total volume ¹ :	255 l
Volume:	Fridge: 184.4 l / Freezer compartment: 71 l
Noise output / Sound power level:	33 dB(A) / B, SuperSilent
Climate rating:	SN-T (from +10 °C to +43 °C)
Aperture dimensions in cm (h/w/d):	177.2 - 178.8 / 56 - 57 / at least 55.0

Easy Fresh	Duo Cooling	No Frost	Super Cool	Super Frost	Glass & Steel Interior	Light Tower	Ice Maker	Soft System
Super Silent	Touch & Swipe-Display	VarioSpace	Smart Device					

Controls

- 2.4" TFT-colour display, touch- & swipe-electronics
- Digital temperature display for refrigerator and freezer compartment
- SmartDeviceBox included
- Alarm in case of malfunction: visual and acoustic
- Door alarm Fridge-freezer compartment: visual and acoustic

Fridge compartment

- PowerCooling with Ambilight and FreshAir active carbon filter
- Premium GlassLine shelving with bottle holder, removable VarioBoxes, adjustable egg tray, butter dish
- 5 GlassLine shelves, of which 1 divisible
- VarioSafe
- 3 Bottle shelf
- LightTower
- 1 EasyFresh safe with partial extension on telescopic rails

Freezer compartment ****

- 3 drawers, of which 2 on telescopic rails, VarioSpace
- IceMaker for plumbed-in connection 3/4"
- Ice cube production in 24 h: 1.2 kg
- Ice cube storage: 5 kg
- LED lighting
- Storage time in the event of power cut: 9 h
- Freezing capacity in 24 h: 6 kg
- 2 cold storage accumulators
- Safety glass fittings
- Freezer tray

Key features

- Height-adjustable feet at front
- Reversible door hinging
- Replaceable door seal
- Rear wall and door panel in stainless steel with SmartSteel



SICNdi 5153
Prime

Door-on-door / built-in appliance for integrated use	
Energy efficiency class:	D
Energy consumption per year / 24 h:	181 / 0.495 kWh
Total volume ¹ :	254 l
Volume:	Fridge: 184.4 l / Freezer compartment: 70 l
Noise output / Sound power level:	34 dB(A) / B, SuperSilent
Climate rating:	SN-T (from +10 °C to +43 °C)
Aperture dimensions in cm (h/w/d):	177.2 - 178.8 / 56 - 57 / at least 55.0

Easy Fresh	Duo Cooling	No Frost	Super Cool	Super Frost	Glass & Steel Interior	Light Tower	Soft System	Super Silent
Touch & Swipe-Display	VarioSpace	Smart Device						

Controls

- 2.4" TFT-colour display, touch- & swipe-electronics
- Digital temperature display for refrigerator and freezer compartment
- SmartDeviceBox included
- Alarm in case of malfunction: visual and acoustic
- Door alarm Fridge-freezer compartment: visual and acoustic

Fridge compartment

- PowerCooling with FreshAir active carbon filter
- Premium GlassLine shelving with bottle holder, removable VarioBoxes, adjustable egg tray, butter dish
- 5 GlassLine shelves, of which 1 divisible
- VarioSafe
- 3 Bottle shelf
- LightTower
- 1 EasyFresh safe with partial extension on telescopic rails

Freezer compartment ****

- 3 drawers, VarioSpace
- Ice cube tray with lid
- LED lighting
- Storage time in the event of power cut: 9 h
- Freezing capacity in 24 h: 6 kg
- Safety glass fittings

Key features

- Side-panel heating on both sides, suitable for combination with other fridges, freezers and/or wine appliances
- Height-adjustable feet at front
- Left hand hinge, reversible
- Replaceable door seal
- SmartSteel rear



ICNd 5133
Plus

Door-on-door / built-in appliance for integrated use	
Energy efficiency class:	D
Energy consumption per year / 24 h:	183 / 0.501 kWh
Total volume ¹ :	254 l
Volume:	Fridge: 183.3 l / Freezer compartment: 71 l
Noise output / Sound power level:	34 dB(A) / B, SuperSilent
Climate rating:	SN-T (from +10 °C to +43 °C)
Aperture dimensions in cm (h/w/d):	177.2 - 178.8 / 56 - 57 / at least 55.0

Easy Fresh	Duo Cooling	No Frost	Super Cool	Super Frost	Ice Maker Water Tank	Soft System	Super Silent	Touch-Display
VarioSpace	Smart Device ready							

Controls

- LC monochrome display, touch electronic
- Digital temperature display for refrigerator and freezer compartment
- SmartDeviceBox: as an optional accessory
- Alarm in case of malfunction: visual and acoustic
- Door alarm Fridge-freezer compartment: visual and acoustic

Fridge compartment

- PowerCooling with FreshAir active carbon filter
- Plastic storage racks with bottle holder, egg tray, FlexCube
- 4 GlassLine shelves, of which 1 divisible
- VarioSafe
- 3 Bottle shelf
- LED ceiling lighting
- 1 EasyFresh safe with integrated drawer guide

Freezer compartment ****

- 3 drawers, VarioSpace
- IceMaker with water tank
- Ice cube production in 24 h: 1.2 kg
- Ice cube storage: 5 kg
- Storage time in the event of power cut: 9 h
- Freezing capacity in 24 h: 6 kg
- Safety glass fittings

Key features

- Height-adjustable feet at front
- Reversible door hinging
- Replaceable door seal

Combined refrigerator-freezer with EasyFresh and NoFrost for integrated use



Space for baking tray

Do you want to keep that home-baked fruit pie fresh? Or maybe a prepared pizza to be baked later on? If so, simply slide your baking tray into your Liebherr – it has plenty of space for storing a baking tray. Really convenient – you can slide the baking tray in and out when the door is opened at 90°.



IceMaker with water tank

Whether it's for a party or a spontaneous cocktail, the integrated IceMaker means you always have enough ice cubes in stock. With the IceMaker with water tank, you simply fill the removable water tank with water. The MaxIce function allows you to produce up to 1.5 kg of ice cubes a day. The ice compartment separator helps to divide the drawer as you wish, for example, ice cubes on the left, ice cream on the right.

¹ In accordance with Regulation EU 2019/2016 we indicate the total volume to the nearest integer (rounded off) and the volume of the frozen compartments and refrigeration compartments to one place after the decimal point. You can find the full range of efficiency classes on page 13. According to (EU) 2017/1369 6a.

You can find the full range of efficiency classes on page 13. According to (EU) 2017/1369 6a.

Combined refrigerator-freezer with EasyFresh and NoFrost for integrated use



EasyFresh

The guarantee of market freshness in the home is our EasyFreshSafe. Whether it's unpackaged vegetables or fruit, this ensures optimal storage for everything. Thanks to the air-tight closure, the food causes the humidity in the safe to rise. This keeps the food fresher for longer.



Touch display

Fingertip control: the touch display enables easy and intuitive operation of your Liebherr. All functions are clearly arranged on the display. By gently tapping a finger, for example, you can easily select the functions or check the current temperature of your refrigerator.

Combined refrigerator-freezer with EasyFresh and SmartFrost for integrated use



↑
178
↓

ICNe 5103
Pure

Door-on-door / built-in appliance for integrated use	
Energy efficiency class:	E A G
Energy consumption per year / 24 h:	227 / 0.621 kWh
Total volume ¹ :	253 l
Volume:	Fridge: 183.3 l / Freezer compartment: 70 l
Noise output / Sound power level:	34 dB(A) / B, SuperSilent
Climate rating:	SN-T (from +10 °C to +43 °C)
Aperture dimensions in cm (h/w/d):	177.2 - 178.8 / 56 - 57 / at least 55.0



Controls

- LC monochrome display, touch electronic
- Digital temperature display for refrigerator and freezer compartment
- SmartDeviceBox: as an optional accessory
- Alarm in case of malfunction: visual and acoustic
- Door alarm Fridge-freezer compartment: visual and acoustic

Fridge compartment

- PowerCooling with FreshAir active carbon filter
- Plastic storage racks with bottle holder, egg tray
- 4 GlassLine shelves
- LED ceiling lighting
- 1 EasyFresh safe with integrated drawer guide

Freezer compartment ********

- 3 drawers, VarioSpace
- Storage time in the event of power cut: 9 h
- Freezing capacity in 24 h: 6 kg
- Safety glass fittings

Key features

- Height-adjustable feet at front
- Reversible door hinging
- Replaceable door seal

¹ In accordance with Regulation EU 2019/2016 we indicate the total volume to the nearest integer (rounded off) and the volume of the frozen compartments and refrigeration compartments to one place after the decimal point.



↑
178
↓

ICe 5103
Pure

Door-on-door / built-in appliance for integrated use	
Energy efficiency class:	E A G
Energy consumption per year / 24 h:	228 / 0.624 kWh
Total volume ¹ :	264 l
Volume:	Fridge: 183.3 l / Freezer compartment: 81 l
Noise output / Sound power level:	34 dB(A) / B, SuperSilent
Climate rating:	SN-T (from +10 °C to +43 °C)
Aperture dimensions in cm (h/w/d):	177.2 - 178.8 / 56 - 57 / at least 55.0



Controls

- LC monochrome display, touch electronic
- Digital temperature display for refrigerator and freezer compartment
- SmartDeviceBox: as an optional accessory
- Alarm in case of malfunction: visual and acoustic
- Door alarm Fridge-freezer compartment: visual and acoustic

Fridge compartment

- PowerCooling with FreshAir active carbon filter
- Plastic storage racks with bottle holder, egg tray
- 4 GlassLine shelves
- LED ceiling lighting
- 1 EasyFresh safe with integrated drawer guide

Freezer compartment ********

- 3 drawers, VarioSpace
- Storage time in the event of power cut: 11 h
- Freezing capacity in 24 h: 6 kg
- Safety glass fittings

Key features

- Height-adjustable feet at front
- Reversible door hinging
- Replaceable door seal

You can find the full range of efficiency classes on page 13. According to (EU) 2017/1369 6a.



↑
178
↓

ICSe 5103
Pure

Sliding door / built-in appliance for integrated use	
Energy efficiency class:	E A G
Energy consumption per year / 24 h:	228 / 0.624 kWh
Total volume ¹ :	264 l
Volume:	Fridge: 183.3 l / Freezer compartment: 81 l
Noise output / Sound power level:	34 dB(A) / B, SuperSilent
Climate rating:	SN-T (from +10 °C to +43 °C)
Aperture dimensions in cm (h/w/d):	177.2 - 178.8 / 56 - 57 / at least 55.0



Controls

- LC monochrome display, touch electronic
- Digital temperature display for refrigerator and freezer compartment
- SmartDeviceBox: as an optional accessory
- Alarm in case of malfunction: visual and acoustic
- Door alarm Fridge-freezer compartment: visual and acoustic

Fridge compartment

- PowerCooling with FreshAir active carbon filter
- Plastic storage racks with bottle holder, egg tray
- 4 GlassLine shelves
- LED ceiling lighting
- 1 EasyFresh safe with integrated drawer guide

Freezer compartment ********

- 3 drawers, VarioSpace
- Storage time in the event of power cut: 11 h
- Freezing capacity in 24 h: 6 kg
- Safety glass fittings

Key features

- Height-adjustable feet at front
- Reversible door hinging
- Replaceable door seal

Fridges



IRBdi 5181 Δ Peak series

Fridges



○ Pure series



◇ Plus series



⬡ Prime series



△ Peak series

	○ Pure series	◇ Plus series	⬡ Prime series	△ Peak series
Freshness technology	EasyFresh	EasyFresh	EasyFresh on telescopic rails	
		BioFresh on telescopic rails	BioFresh with SoftTelescopic	BioFresh Professional with SoftTelescopic
	FreshAir filter	FreshAir filter	FreshAir filter	FreshAir filter
Comfort & flexibility		Divisible glass shelf	Divisible glass shelf	Divisible glass shelf
		SoftSystem soft stop mechanism	SoftSystem soft stop mechanism	SoftSystem soft stop mechanism
		VarioSafe	VarioSafe	VarioSafe
			VarioBoxes	VarioBoxes
			Butter dish	Butter dish
	Egg tray	Egg tray	2in1 egg tray	2in1 egg tray
		Bottle shelf	Bottle shelf	Bottle shelf
		Ice cube tray	Ice cube tray with lid	
				FlexSystem
	Design	Top or side fridge compartment lighting	Top or side fridge compartment lighting	LightTower
			Lighting BioFresh safe	Lighting BioFresh safe
				Fan lighting
			SmartSteel rear wall	SmartSteel rear wall
				SmartSteel door interior
Transparant glass		Transparant glass	Satin finish glass	Satin finish glass
Stainless steel look shelves		Stainless steel look shelves	Glass & stainless steel rack	Glass & stainless steel rack
Touch display		Touch display	Touch & Swipe display	Touch & Swipe display
Connectivity (SmartDeviceBox)		Can be retrofitted	Can be retrofitted or is included with "i" models	Can be retrofitted or is included with "i" models
Water				InfinitySpring

Quality down to the finest detail



BioFresh

At a temperature of just over 0 °C and with the ideal humidity, fresh food can keep its appetising appearance and retain healthy vitamins and minerals for considerably longer than in a normal fridge compartment.



EasyFresh

The guarantee of market freshness in the home is our EasyFreshSafe. Whether it's unpackaged vegetables or fruit, this ensures optimal storage for everything. Thanks to the air-tight closure, the food causes the humidity in the safe to rise. This keeps the food fresher for longer.



LED

For a quick overview of everything in the refrigerator: the LED side lighting helps you to keep your food in view. The LEDs are positioned so that the light beams go up and down. And the LEDs integrated flush into the side walls mean that the valuable usable area is fully maintained.



InfinitySpring

A source of fresh, cool drinking water in your kitchen. InfinitySpring sounds like something from a fairy tale. The water dispenser enables drip-free water dispensing and provides fresh, cold water. Simply press the panel with the carafe or glass, and enjoy the water. This enables you to save on purchasing bottles of water and to live more sustainably.



Side-by-Side concept

Combine your Liebherr appliance with complete flexibility to suit your personal freshness needs. All models labelled side-by-side, can be vertically and/or horizontally combined to form your individual freshness centre, providing perfect solutions to all your storage needs. More information see pages 30-33.



Versatile bottle shelf

Expecting guests and want to chill a few more drinks than usual? The bottle shelf above the BioFresh safes exists for this very reason. Simply remove the glass shelf above the bottle shelf in one easy step – and you can now safely store and cool bottles of various sizes.



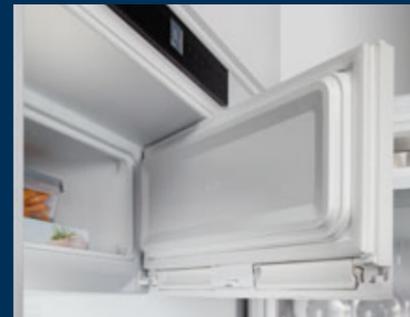
VarioBoxes

Where did I put that little packet of yeast? And where's the tube of mustard? To easily find the small items in the fridge, there are the VarioBoxes. They keep everything clearly arranged and organised in the inside door. Their transparent design means you immediately see what's inside. The boxes are easy to remove – and thanks to the pull-out stop, nothing will fall to the floor - guaranteed.



PowerCooling

Do you want to be sure that the cold is distributed as evenly as possible in your refrigerator? If so, the PowerCooling system is what you need. The fan – as powerful as it is quiet – distributes the cold air efficiently throughout the entire refrigeration compartment.



Freezer compartment

Do you want to avoid spending time changing the door hinge of the freezer compartment when installing your Liebherr in the furniture niche? The slider control means this can be done in seconds and without any manual skills. Simply slide the slider on the freezer compartment from right to left – that's it, done! This saves you a lot of time.



SoftTelescopic

Look forward to opening your BioFresh safes. And this is not just because of the fresh food – but also because opening is so easy, and closing is cushioned. The telescopic rails slide the safe gently towards you. And because these extend fully, you have the best overview of the contents.



FlexSystem

Small and delicate fruit in the refrigerator can easily roll out of sight or become crushed. That's why your Liebherr comes with the FlexSystem. Two flexibly positionable boxes in the BioFresh safe ensure everything is clearly arranged and organised. And they also safely protect even the smallest raspberry from bruising or from being mixed up with other foods.



Versatile egg tray

Do you like chicken eggs? So does your Liebherr – that's why it has the 2in1 egg tray. This not only provides space for up to 20 chicken eggs, but also for up to 24 quail eggs. The egg tray consists of an outer and an inner part which can be slid into each other in different ways. By turning the tray over, the quail egg holes can be used.



Refrigerator with BioFresh Professional and AutoDoor



IRBac 5190
Peak

Door-on-door / built-in appliance for integrated use

Energy efficiency class:	C <small>A G</small>
Energy consumption per year / 24 h:	100 / 0.274 kWh
Total volume ¹ :	296 l
Volume:	Fridge: 198.1 l / BioFresh compartment: 97.9 l
Noise output / Sound power level:	32 dB(A) / B, SuperSilent
Climate rating:	SN-T (from +10 °C to +43 °C)
Aperture dimensions in cm (h/w/d):	177.2 - 178.8 / 56 - 57 / at least 55.0

Bio Fresh Professional	Hydro Breeze	Super Cool	Glass & Steel Interior	Light Tower	Infinity Spring	Auto Door	Soft System	Soft-Telescopic Rails
Super Silent	Touch & Swipe-Display	Smart Device						

Controls

- 2.4" TFT-colour display, touch- & swipe-electronics
- Digital temperature display for refrigerator and BioFresh compartment
- SmartDeviceBox included
- Alarm in case of malfunction: visual and acoustic
- Door alarm fridge compartment: visual and acoustic

Fridge and BioFresh compartment

- PowerCooling with Ambilight and FreshAir active carbon filter
- Premium GlassLine shelving with bottle holder, removable VarioBoxes, adjustable egg tray, butter dish
- 6 GlassLine shelves, of which 1 divisible
- VarioSafe
- Integrated bottle shelf
- LightTower
- LED BioFresh lighting

Choose from left (617) or right (001) hand hinge, fixed.

Must be chosen at the point of sale, or completed by Liebherr trained and approved service agents.

- 3 BioFresh safes with SoftTelescopic, 2 Fruit & Vegetable safes, of which 1 with HydroBreeze, 1 Meat & Dairy safe, 1 FlexSystem
- InfinitySpring with fixed water connection 3/4"

Key features

- Height-adjustable feet at front
- Reversible door hinging
- Replaceable door seal
- Rear wall and door panel in stainless steel with SmartSteel



IRBac 5171
Peak

Door-on-door / built-in appliance for integrated use

Energy efficiency class:	C <small>A G</small>
Energy consumption per year / 24 h:	131 / 0.358 kWh
Total volume ¹ :	276 l
Volume:	Fridge: 151.6 l / BioFresh compartment: 97.9 l / Freezer compartment: 27 l
Noise output / Sound power level:	33 dB(A) / B, SuperSilent
Climate rating:	SN-T (from +10 °C to +43 °C)
Aperture dimensions in cm (h/w/d):	177.2 - 178.8 / 56 - 57 / at least 55.0

Bio Fresh Professional	Hydro Breeze	Super Cool	Glass & Steel Interior	Light Tower	Auto Door	Soft System	Soft-Telescopic Rails	Super Silent
Touch & Swipe-Display	Smart Device							

Controls

- 2.4" TFT-colour display, touch- & swipe-electronics
- Digital temperature display for refrigerator and BioFresh compartment
- SmartDeviceBox included
- Alarm in case of malfunction: visual and acoustic
- Door alarm fridge compartment: visual and acoustic

Fridge and BioFresh compartment

- PowerCooling with Ambilight and FreshAir active carbon filter
- Premium GlassLine shelving with bottle holder, removable VarioBoxes, adjustable egg tray, butter dish
- 4 GlassLine shelves, of which 1 divisible
- VarioSafe
- Integrated bottle shelf
- LightTower
- LED BioFresh lighting

Choose from left (617) or right (001) hand hinge, fixed.

Must be chosen at the point of sale, or completed by Liebherr trained and approved service agents.

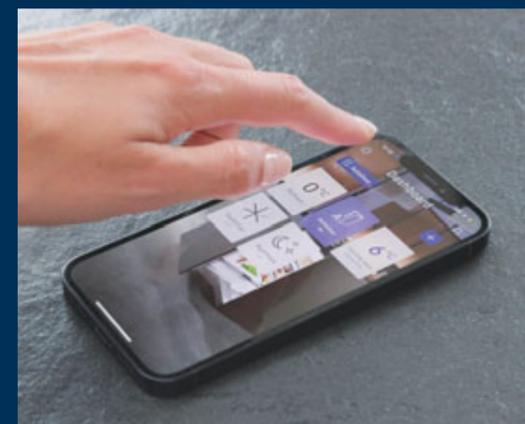
- 3 BioFresh safes with SoftTelescopic, 2 Fruit & Vegetable safes, of which 1 with HydroBreeze, 1 Meat & Dairy safe, 1 FlexSystem

Freezer compartment ********

- 4-star compartment, reversible door hinging
- Ice cube tray with lid
- Storage time in the event of power cut: 14 h
- Freezing capacity in 24 h: 2 kg
- Glass shelves

Key features

- Height-adjustable feet at front
- Reversible door hinging
- Replaceable door seal
- Rear wall and door panel in stainless steel with SmartSteel



AutoDoor

Hands-free option with Liebherr: Thanks to AutoDoor, you can open your Liebherr with a knocking signal or voice command. This makes the Liebherr the world's first refrigerator which can be opened and closed fully automatically – perfection in the hands-free kitchen. You can individually select the opening angle and the duration until closing. And if need be, you can also open and close it just as easily by hand or using your smartphone.

¹ In accordance with Regulation EU 2019/2016 we indicate the total volume to the nearest integer (rounded off) and the volume of the frozen compartments and refrigeration compartments to one place after the decimal point. You can find the full range of efficiency classes on page 13. According to (EU) 2017/1369 6a.



BlackSteel to complete a dark appearance

Refine your dark kitchen with our BlackSteel interior appliances. The rear wall and inner door impress with surfaces made of black stainless steel. The anti-fingerprint finish makes this resistant to fingerprints. All trims are accentuated in BlackSteel to complete a dark appearance. A Liebherr with BlackSteel interior perfectly fits into modern dark kitchens and stands out with elegance.



OpenStage drawers

Inspired by refrigerated display cases in fine delicatessens, the OpenStage concept elegantly showcases your food. Thanks to the transparent glass drawers you can have everything perfectly displayed. The different heights make it easy to store food of different sizes. In the bottom OpenStage drawer, practical dividers ensure bottles are held securely in place.

Refrigerator with BioFresh for integrated use



IRBPbsci 5170

Peak

Door-on-door / built-in appliance for integrated use	
Energy efficiency class:	C <small>A G</small>
Energy consumption per year / 24 h:	100 / 0.274 kWh
Total volume ¹ :	297 l
Volume:	Fridge: 199.0 l / BioFresh compartment: 98.4 l
Noise output / Sound power level:	31 dB(A) / B, SuperSilent
Climate rating:	SN-T (from +10 °C to +43 °C)
Aperture dimensions in cm (h/w/d):	177.2 - 178.8 / 56 - 57 / at least 55.0

Bio Fresh	Super Cool	Open Stage	Glass & Steel Interior	Light Tower	Soft System	Soft-Telescopic Rails	Super Silent	Touch & Swipe-Display
Smart Device								

Controls

- 2.4" TFT-colour display, touch- & swipe-electronics
- Digital temperature display for refrigerator and BioFresh compartment
- SmartDeviceBox included
- Alarm in case of malfunction: visual and acoustic
- Door alarm fridge compartment: visual and acoustic

Fridge and BioFresh compartment

- PowerCooling with Ambilight and FreshAir active carbon filter
- Variable egg tray, butter dish
- 5 GlassLine drawers OpenStage on fully extendible telescopic rails with SoftTelescopic
- Integrated bottle shelf
- LightTower
- LED BioFresh lighting
- 3 BioFresh safes with SoftTelescopic, 2 Fruit & Vegetable safes, 1 Meat & Dairy safe, 1 FlexSystem

Key features

- Height-adjustable feet at front
- Reversible door hinging
- Replaceable door seal
- Rear wall and door panel in BlackSteel

IRBPci 5170

Peak

Door-on-door / built-in appliance for integrated use	
Energy efficiency class:	C <small>A G</small>
Energy consumption per year / 24 h:	100 / 0.274 kWh
Total volume ¹ :	297 l
Volume:	Fridge: 199.0 l / BioFresh compartment: 98.4 l
Noise output / Sound power level:	31 dB(A) / B, SuperSilent
Climate rating:	SN-T (from +10 °C to +43 °C)
Aperture dimensions in cm (h/w/d):	177.2 - 178.8 / 56 - 57 / at least 55.0

Bio Fresh	Super Cool	Open Stage	Glass & Steel Interior	Light Tower	Soft System	Soft-Telescopic Rails	Super Silent	Touch & Swipe-Display
Smart Device								

Controls

- 2.4" TFT-colour display, touch- & swipe-electronics
- Digital temperature display for refrigerator and BioFresh compartment
- SmartDeviceBox included
- Alarm in case of malfunction: visual and acoustic
- Door alarm fridge compartment: visual and acoustic

Fridge and BioFresh compartment

- PowerCooling with Ambilight and FreshAir active carbon filter
- Variable egg tray, butter dish
- 5 GlassLine drawers OpenStage on fully extendible telescopic rails with SoftTelescopic
- Integrated bottle shelf
- LightTower
- LED BioFresh lighting
- 3 BioFresh safes with SoftTelescopic, 2 Fruit & Vegetable safes, 1 Meat & Dairy safe, 1 FlexSystem

Key features

- Height-adjustable feet at front
- Reversible door hinging
- Replaceable door seal
- Rear wall and door panel in stainless steel with SmartSteel

¹ In accordance with Regulation EU 2019/2016 we indicate the total volume to the nearest integer (rounded off) and the volume of the frozen compartments and refrigeration compartments to one place after the decimal point. You can find the full range of efficiency classes on page 13. According to (EU) 2017/1369 6a.

Refrigerators with BioFresh Professional for integrated use

Refrigerator with BioFresh Professional for integrated use



reddot winner 2021
best of the best

↑
178
↓

IRBci 5180

Peak

Door-on-door / built-in appliance for integrated use

Energy efficiency class:	C
Energy consumption per year / 24 h:	100 / 0.274 kWh
Total volume ¹ :	296 l
Volume:	Fridge: 198.1 l / BioFresh compartment: 97.9 l
Noise output / Sound power level:	32 dB(A) / B, SuperSilent
Climate rating:	SN-T (from +10 °C to +43 °C)
Aperture dimensions in cm (h/w/d):	177.2 - 178.8 / 56 - 57 / at least 55.0



Controls

- 2.4" TFT-colour display, touch- & swipe-electronics
- Digital temperature display for refrigerator and BioFresh compartment
- SmartDeviceBox included
- Alarm in case of malfunction: visual and acoustic
- Door alarm fridge compartment: visual and acoustic

- 3 BioFresh safes with SoftTelescopic, 2 Fruit & Vegetable safes, of which 1 with HydroBreeze, 1 Meat & Dairy safe, 1 FlexSystem
- InfinitySpring with fixed water connection 3/4"

Key features

- Height-adjustable feet at front
- Reversible door hinging
- Replaceable door seal
- Rear wall and door panel in stainless steel with SmartSteel

Fridge and BioFresh compartment

- PowerCooling with Ambilight and FreshAir active carbon filter
- Premium GlassLine shelving with bottle holder, removable VarioBoxes, adjustable egg tray, butter dish
- 6 GlassLine shelves, of which 1 divisible
- VarioSafe
- Integrated bottle shelf
- LightTower
- LED BioFresh lighting



↑
178
↓

IRBdi 5181

Peak

Door-on-door / built-in appliance for integrated use

Energy efficiency class:	D
Energy consumption per year / 24 h:	163 / 0.446 kWh
Total volume ¹ :	273 l
Volume:	Fridge: 151.6 l / BioFresh compartment: 95.2 l / Freezer compartment: 27 l
Noise output / Sound power level:	34 dB(A) / B, SuperSilent
Climate rating:	SN-T (from +10 °C to +43 °C)
Aperture dimensions in cm (h/w/d):	177.2 - 178.8 / 56 - 57 / at least 55.0



Controls

- 2.4" TFT-colour display, touch- & swipe-electronics
- Digital temperature display for refrigerator and BioFresh compartment
- SmartDeviceBox included
- Alarm in case of malfunction: visual and acoustic
- Door alarm fridge compartment: visual and acoustic

- 3 BioFresh safes with SoftTelescopic, 1 Fruit & Vegetable safe with HydroBreeze, 1 Fish & Seafood safe, 1 Meat & Dairy safe, 1 FlexSystem

Freezer compartment

- 4-star compartment, reversible door hinging
- Ice cube tray with lid
- Storage time in the event of power cut: 14 h
- Freezing capacity in 24 h: 2 kg
- Glass shelves

Key features

- Height-adjustable feet at front
- Reversible door hinging
- Replaceable door seal
- Rear wall and door panel in stainless steel with SmartSteel

Fridge and BioFresh compartment

- PowerCooling with Ambilight and FreshAir active carbon filter
- Premium GlassLine shelving with bottle holder, removable VarioBoxes, adjustable egg tray, butter dish
- 4 GlassLine shelves, of which 1 divisible
- VarioSafe
- Integrated bottle shelf
- LightTower
- LED BioFresh lighting



↑
178
↓

IRBci 5170

Peak

Door-on-door / built-in appliance for integrated use

Energy efficiency class:	C
Energy consumption per year / 24 h:	100 / 0.274 kWh
Total volume ¹ :	296 l
Volume:	Fridge: 198.1 l / BioFresh compartment: 97.9 l
Noise output / Sound power level:	32 dB(A) / B, SuperSilent
Climate rating:	SN-T (from +10 °C to +43 °C)
Aperture dimensions in cm (h/w/d):	177.2 - 178.8 / 56 - 57 / at least 55.0



Controls

- 2.4" TFT-colour display, touch- & swipe-electronics
- Digital temperature display for refrigerator and BioFresh compartment
- SmartDeviceBox included
- Alarm in case of malfunction: visual and acoustic
- Door alarm fridge compartment: visual and acoustic

- 3 BioFresh safes with SoftTelescopic, 2 Fruit & Vegetable safes, of which 1 with HydroBreeze, 1 Meat & Dairy safe, 1 FlexSystem

Key features

- Height-adjustable feet at front
- Reversible door hinging
- Replaceable door seal
- Rear wall and door panel in stainless steel with SmartSteel

Fridge and BioFresh compartment

- PowerCooling with Ambilight and FreshAir active carbon filter
- Premium GlassLine shelving with bottle holder, removable VarioBoxes, adjustable egg tray, butter dish
- 6 GlassLine shelves, of which 1 divisible
- VarioSafe
- Integrated bottle shelf
- LightTower
- LED BioFresh lighting



Fish & Seafood safe

Love fish? Your Liebherr keeps fish fresh! The Fish & Seafood Safe stores fish and seafood at the optimum temperature of -2 °C; as professionally as your fishmonger. Adjust the size of the -2 °C zone as much as you want – and store the remaining meat and dairy products at the optimum 0 °C. An LED display indicates that the -2 °C zone is currently active.

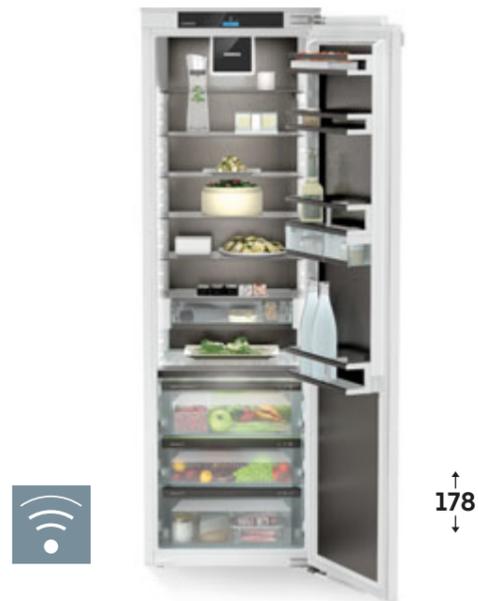


SmartSteel rear wall

The rear wall in elegant SmartSteel gives your Liebherr a stylish look and feel. Your food will also love SmartSteel as stainless steel is food-safe and hygienic. SmartSteel also reduces the visibility of fingerprints – making the appearance even more pleasing.

Refrigerator with BioFresh Professional for integrated use

Refrigerators with BioFresh for integrated use



IRBbsci 5170
Peak

Door-on-door / built-in appliance for integrated use	
Energy efficiency class:	C
Energy consumption per year / 24 h:	100 / 0.274 kWh
Total volume ¹ :	296 l
Volume:	Fridge: 198.1 l / BioFresh compartment: 97.9 l
Noise output / Sound power level:	32 dB(A) / B, SuperSilent
Climate rating:	SN-T (from +10 °C to +43 °C)
Aperture dimensions in cm (h/w/d):	177.2 - 178.8 / 56 - 57 / at least 55.0



- Controls**
- 2.4" TFT-colour display, touch- & swipe-electronics
 - Digital temperature display for refrigerator and BioFresh compartment
 - SmartDeviceBox included
 - Alarm in case of malfunction: visual and acoustic
 - Door alarm fridge compartment: visual and acoustic
- Key features**
- 3 BioFresh safes with SoftTelescopic, 2 Fruit & Vegetable safes, of which 1 with HydroBreeze, 1 Meat & Dairy safe, 1 FlexSystem
 - Height-adjustable feet at front
 - Reversible door hinging
 - Replaceable door seal
 - Rear wall and door panel in BlackSteel

- Fridge and BioFresh compartment**
- PowerCooling with Ambilight and FreshAir active carbon filter
 - Premium GlassLine shelving with bottle holder, removable VarioBoxes, adjustable egg tray, butter dish
 - 6 GlassLine shelves, of which 1 divisible
 - VarioSafe
 - Integrated bottle shelf
 - LightTower
 - LED BioFresh lighting

Choose from left (IRBbsci 5170) or right (IRBbsci 5170) hand hinge, fixed.



IRBbsci 5171
Peak

Door-on-door / built-in appliance for integrated use	
Energy efficiency class:	C
Energy consumption per year / 24 h:	131 / 0.358 kWh
Total volume ¹ :	276 l
Volume:	Fridge: 151.6 l / BioFresh compartment: 97.9 l / Freezer compartment: 27 l
Noise output / Sound power level:	33 dB(A) / B, SuperSilent
Climate rating:	SN-T (from +10 °C to +43 °C)
Aperture dimensions in cm (h/w/d):	177.2 - 178.8 / 56 - 57 / at least 55.0



- Controls**
- 2.4" TFT-colour display, touch- & swipe-electronics
 - Digital temperature display for refrigerator and BioFresh compartment
 - SmartDeviceBox included
 - Alarm in case of malfunction: visual and acoustic
 - Door alarm fridge compartment: visual and acoustic
- Key features**
- 3 BioFresh safes with SoftTelescopic, 2 Fruit & Vegetable safes, of which 1 with HydroBreeze, 1 Meat & Dairy safe, 1 FlexSystem
 - 4-star compartment, reversible door hinging
 - Ice cube tray with lid
 - Storage time in the event of power cut: 14 h
 - Freezing capacity in 24 h: 2 kg
 - Glass shelves

- Fridge and BioFresh compartment**
- PowerCooling with Ambilight and FreshAir active carbon filter
 - Premium GlassLine shelving with bottle holder, removable VarioBoxes, adjustable egg tray, butter dish
 - 4 GlassLine shelves, of which 1 divisible
 - VarioSafe
 - Integrated bottle shelf
 - LightTower
 - LED BioFresh lighting

- Key features**
- Height-adjustable feet at front
 - Reversible door hinging
 - Replaceable door seal
 - Rear wall and door panel in BlackSteel



IRBci 5150
Prime

Door-on-door / built-in appliance for integrated use	
Energy efficiency class:	C
Energy consumption per year / 24 h:	100 / 0.274 kWh
Total volume ¹ :	296 l
Volume:	Fridge: 197.7 l / BioFresh compartment: 98.4 l
Noise output / Sound power level:	32 dB(A) / B, SuperSilent
Climate rating:	SN-T (from +10 °C to +43 °C)
Aperture dimensions in cm (h/w/d):	177.2 - 178.8 / 56 - 57 / at least 55.0



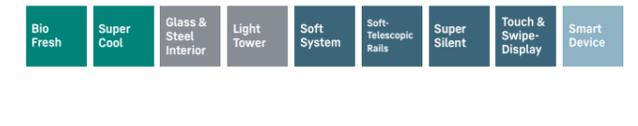
- Controls**
- 2.4" TFT-colour display, touch- & swipe-electronics
 - Digital temperature display for refrigerator and BioFresh compartment
 - SmartDeviceBox included
 - Alarm in case of malfunction: visual and acoustic
 - Door alarm fridge compartment: visual and acoustic
- Key features**
- Height-adjustable feet at front
 - Reversible door hinging
 - Replaceable door seal
 - SmartSteel rear

- Fridge and BioFresh compartment**
- PowerCooling with FreshAir active carbon filter
 - Premium GlassLine shelving with bottle holder, removable VarioBoxes, adjustable egg tray, butter dish
 - 6 GlassLine shelves, of which 1 divisible
 - VarioSafe
 - Integrated bottle shelf
 - LightTower
 - LED BioFresh lighting
 - 3 BioFresh safes with SoftTelescopic, 2 Fruit & Vegetable safe, 1 Meat & Dairy safe



IRBci 5151
Prime

Door-on-door / built-in appliance for integrated use	
Energy efficiency class:	C
Energy consumption per year / 24 h:	131 / 0.358 kWh
Total volume ¹ :	276 l
Volume:	Fridge: 151.3 l / BioFresh compartment: 98.4 l / Freezer compartment: 27 l
Noise output / Sound power level:	33 dB(A) / B, SuperSilent
Climate rating:	SN-T (from +10 °C to +43 °C)
Aperture dimensions in cm (h/w/d):	177.2 - 178.8 / 56 - 57 / at least 55.0



- Controls**
- 2.4" TFT-colour display, touch- & swipe-electronics
 - Digital temperature display for refrigerator and BioFresh compartment
 - SmartDeviceBox included
 - Alarm in case of malfunction: visual and acoustic
 - Door alarm fridge compartment: visual and acoustic
- Freezer compartment** ********
- 4-star compartment, reversible door hinging
 - Ice cube tray with lid
 - Storage time in the event of power cut: 14 h
 - Freezing capacity in 24 h: 2 kg
 - Glass shelves

- Fridge and BioFresh compartment**
- PowerCooling with FreshAir active carbon filter
 - Premium GlassLine shelving with bottle holder, removable VarioBoxes, adjustable egg tray, butter dish
 - 4 GlassLine shelves, of which 1 divisible
 - VarioSafe
 - Integrated bottle shelf
 - LightTower
 - LED BioFresh lighting
 - 3 BioFresh safes with SoftTelescopic, 2 Fruit & Vegetable safe, 1 Meat & Dairy safe

- Key features**
- Height-adjustable feet at front
 - Reversible door hinging
 - Replaceable door seal
 - SmartSteel rear



↑
178
↓

IRBd 5120
Plus

Door-on-door / built-in appliance for integrated use

Energy efficiency class:	D <small>A G</small>
Energy consumption per year / 24 h:	125 / 0.342 kWh
Total volume ¹ :	294 l
Volume:	Fridge: 195.8 l / BioFresh compartment: 98.2 l
Noise output / Sound power level:	33 dB(A) / B, SuperSilent
Climate rating:	SN-T (from +10 °C to +43 °C)
Aperture dimensions in cm (h/w/d):	177.2 - 178.8 / 56 - 57 / at least 55.0



Controls

- LC monochrome display, touch electronic
- Digital temperature display for refrigerator compartment
- SmartDeviceBox: as an optional accessory
- Alarm in case of malfunction: visual and acoustic
- Door alarm fridge compartment: visual and acoustic

Fridge and BioFresh compartment

- PowerCooling with FreshAir active carbon filter
- Plastic storage racks with bottle holder, egg tray, FlexCube
- 6 GlassLine shelves, of which 1 divisible
- Integrated bottle shelf
- LED ceiling lighting
- 3 BioFresh safes with partial extension on telescopic rails, 2 Fruit & Vegetable safes, 1 Meat & Dairy safe

Key features

- Height-adjustable feet at front
- Reversible door hinging
- Replaceable door seal



↑
178
↓

IRBSd 5120
Plus

Sliding door / built-in appliance for integrated use

Energy efficiency class:	D <small>A G</small>
Energy consumption per year / 24 h:	125 / 0.342 kWh
Total volume ¹ :	294 l
Volume:	Fridge: 195.8 l / BioFresh compartment: 98.2 l
Noise output / Sound power level:	33 dB(A) / B, SuperSilent
Climate rating:	SN-T (from +10 °C to +43 °C)
Aperture dimensions in cm (h/w/d):	177.2 - 178.8 / 56 - 57 / at least 55.0



Controls

- LC monochrome display, touch electronic
- Digital temperature display for refrigerator compartment
- SmartDeviceBox: as an optional accessory
- Alarm in case of malfunction: visual and acoustic
- Door alarm fridge compartment: visual and acoustic

Fridge and BioFresh compartment

- PowerCooling with FreshAir active carbon filter
- Plastic storage racks with bottle holder, egg tray, FlexCube
- 6 GlassLine shelves, of which 1 divisible
- Integrated bottle shelf
- LED ceiling lighting
- 3 BioFresh safes with partial extension on telescopic rails, 2 Fruit & Vegetable safes, 1 Meat & Dairy safe

Key features

- Height-adjustable feet at front
- Reversible door hinging
- Replaceable door seal



↑
178
↓

IRBd 5121
Plus

Door-on-door / built-in appliance for integrated use

Energy efficiency class:	D <small>A G</small>
Energy consumption per year / 24 h:	164 / 0.449 kWh
Total volume ¹ :	275 l
Volume:	Fridge: 150.2 l / BioFresh compartment: 98.2 l / Freezer compartment: 27 l
Noise output / Sound power level:	34 dB(A) / B, SuperSilent
Climate rating:	SN-T (from +10 °C to +43 °C)
Aperture dimensions in cm (h/w/d):	177.2 - 178.8 / 56 - 57 / at least 55.0



Controls

- LC monochrome display, touch electronic
- Digital temperature display for refrigerator compartment
- SmartDeviceBox: as an optional accessory
- Alarm in case of malfunction: visual and acoustic
- Door alarm fridge compartment: visual and acoustic

Fridge and BioFresh compartment

- PowerCooling with FreshAir active carbon filter
- Plastic storage racks with bottle holder, egg tray, FlexCube
- 4 GlassLine shelves, of which 1 divisible
- Integrated bottle shelf
- LED lighting column on both sides
- 3 BioFresh safes with partial extension on telescopic rails, 2 Fruit & Vegetable safes, 1 Meat & Dairy safe

Freezer compartment ****

- 4-star compartment, reversible door hinging
- Ice cube tray
- Storage time in the event of power cut: 14 h
- Freezing capacity in 24 h: 2 kg
- Glass shelves

Key features

- Height-adjustable feet at front
- Reversible door hinging
- Replaceable door seal



↑
178
↓

IRBSd 5121
Plus

Sliding door / built-in appliance for integrated use

Energy efficiency class:	D <small>A G</small>
Energy consumption per year / 24 h:	164 / 0.449 kWh
Total volume ¹ :	275 l
Volume:	Fridge: 150.2 l / BioFresh compartment: 98.2 l / Freezer compartment: 27 l
Noise output / Sound power level:	34 dB(A) / B, SuperSilent
Climate rating:	SN-T (from +10 °C to +43 °C)
Aperture dimensions in cm (h/w/d):	177.2 - 178.8 / 56 - 57 / at least 55.0



Controls

- LC monochrome display, touch electronic
- Digital temperature display for refrigerator compartment
- SmartDeviceBox: as an optional accessory
- Alarm in case of malfunction: visual and acoustic
- Door alarm fridge compartment: visual and acoustic

Fridge and BioFresh compartment

- PowerCooling with FreshAir active carbon filter
- Plastic storage racks with bottle holder, egg tray, FlexCube
- 4 GlassLine shelves, of which 1 divisible
- Integrated bottle shelf
- LED lighting column on both sides
- 3 BioFresh safes with partial extension on telescopic rails, 2 Fruit & Vegetable safes, 1 Meat & Dairy safe

Freezer compartment ****

- 4-star compartment, reversible door hinging
- Ice cube tray
- Storage time in the event of power cut: 14 h
- Freezing capacity in 24 h: 2 kg
- Glass shelves

Key features

- Height-adjustable feet at front
- Reversible door hinging
- Replaceable door seal



IRBci 4571
Peak

Door-on-door / built-in appliance for integrated use	
Energy efficiency class:	C
Energy consumption per year / 24 h:	116 / 0.317 kWh
Total volume ¹ :	207 l
Volume: Fridge: 125.4 l / BioFresh compartment: 66.6 l / Freezer compartment: 16 l	
Noise output / Sound power level:	33 dB(A) / B, SuperSilent
Climate rating:	SN-T (from +10 °C to +43 °C)
Aperture dimensions in cm (h/w/d):	139.7 - 141.3 / 56 - 57 / at least 55.0



Controls

- 2.4" TFT-colour display, touch- & swipe-electronics
- Digital temperature display for refrigerator and BioFresh compartment
- SmartDeviceBox included
- Alarm in case of malfunction: visual and acoustic
- Door alarm fridge compartment: visual and acoustic

Freezer compartment ****

- 4-star compartment, reversible door hinging
- Ice cube tray with lid
- Storage time in the event of power cut: 9 h
- Freezing capacity in 24 h: 2 kg

Key features

- Height-adjustable feet at front
- Reversible door hinging
- Replaceable door seal
- Rear wall and door panel in stainless steel with SmartSteel

Fridge and BioFresh compartment

- PowerCooling with Ambilight and FreshAir active carbon filter
- Premium GlassLine shelving with bottle holder, removable VarioBoxes, adjustable egg tray, butter dish
- 3 GlassLine shelves, of which 1 divisible
- VarioSafe
- Integrated bottle shelf
- LightTower
- LED BioFresh lighting
- 2 BioFresh safes with SoftTelescopic, 1 Fruit & Vegetable safe with HydroBreeze, 1 Meat & Dairy safe, 1 FlexSystem



IRBbsbi 4570
Peak

Door-on-door / built-in appliance for integrated use	
Energy efficiency class:	B
Energy consumption per year / 24 h:	73 / 0.200 kWh
Total volume ¹ :	224 l
Volume: Fridge: 158.0 l / BioFresh compartment: 66.6 l	
Noise output / Sound power level:	29 dB(A) / A, UltraSilent
Climate rating:	SN-T (from +10 °C to +43 °C)
Aperture dimensions in cm (h/w/d):	139.7 - 141.3 / 56 - 57 / at least 55.0



Controls

- 2.4" TFT-colour display, touch- & swipe-electronics
- Digital temperature display for refrigerator and BioFresh compartment
- SmartDeviceBox included
- Alarm in case of malfunction: visual and acoustic
- Door alarm fridge compartment: visual and acoustic

- 2 BioFresh safes with SoftTelescopic, 1 Fruit & Vegetable safe with HydroBreeze, 1 Meat & Dairy safe, 1 FlexSystem

Key features

- Height-adjustable feet at front
- Reversible door hinging
- Replaceable door seal
- Rear wall and door panel in BlackSteel

Fridge and BioFresh compartment

- PowerCooling with Ambilight and FreshAir active carbon filter
- Premium GlassLine shelving with bottle holder, removable VarioBoxes, adjustable egg tray, butter dish
- 4 GlassLine shelves, of which 1 divisible
- VarioSafe
- Integrated bottle shelf
- LightTower
- LED BioFresh lighting

Choose from left (IRBbsbi 4570) or right (IRBbsbi 4570) hand hinge, fixed.



IRBbi 4570
Peak

Door-on-door / built-in appliance for integrated use	
Energy efficiency class:	B
Energy consumption per year / 24 h:	73 / 0.200 kWh
Total volume ¹ :	224 l
Volume: Fridge: 158.0 l / BioFresh compartment: 66.6 l	
Noise output / Sound power level:	29 dB(A) / A, UltraSilent
Climate rating:	SN-T (from +10 °C to +43 °C)
Aperture dimensions in cm (h/w/d):	139.7 - 141.3 / 56 - 57 / at least 55.0



Controls

- 2.4" TFT-colour display, touch- & swipe-electronics
- Digital temperature display for refrigerator and BioFresh compartment
- SmartDeviceBox included
- Alarm in case of malfunction: visual and acoustic
- Door alarm fridge compartment: visual and acoustic

Key features

- Height-adjustable feet at front
- Reversible door hinging
- Replaceable door seal
- Rear wall and door panel in stainless steel with SmartSteel

Fridge and BioFresh compartment

- PowerCooling with Ambilight and FreshAir active carbon filter
- Premium GlassLine shelving with bottle holder, removable VarioBoxes, adjustable egg tray, butter dish
- 4 GlassLine shelves, of which 1 divisible
- VarioSafe
- Integrated bottle shelf
- LightTower
- LED BioFresh lighting
- 2 BioFresh safes with SoftTelescopic, 1 Fruit & Vegetable safe with HydroBreeze, 1 Meat & Dairy safe, 1 FlexSystem



IRBci 4551
Prime

Door-on-door / built-in appliance for integrated use	
Energy efficiency class:	C
Energy consumption per year / 24 h:	116 / 0.317 kWh
Total volume ¹ :	207 l
Volume: Fridge: 125.0 l / BioFresh compartment: 67.0 l / Freezer compartment: 16 l	
Noise output / Sound power level:	33 dB(A) / B, SuperSilent
Climate rating:	SN-T (from +10 °C to +43 °C)
Aperture dimensions in cm (h/w/d):	139.7 - 141.3 / 56 - 57 / at least 55.0



Controls

- 2.4" TFT-colour display, touch- & swipe-electronics
- Digital temperature display for refrigerator and BioFresh compartment
- SmartDeviceBox included
- Alarm in case of malfunction: visual and acoustic
- Door alarm fridge compartment: visual and acoustic

Freezer compartment ****

- 4-star compartment, reversible door hinging
- Ice cube tray with lid
- Storage time in the event of power cut: 9 h
- Freezing capacity in 24 h: 2 kg

Key features

- Height-adjustable feet at front
- Reversible door hinging
- Replaceable door seal
- SmartSteel rear

Fridge and BioFresh compartment

- PowerCooling with FreshAir active carbon filter
- Premium GlassLine shelving with bottle holder, removable VarioBoxes, adjustable egg tray, butter dish
- 3 GlassLine shelves, of which 1 divisible
- VarioSafe
- Integrated bottle shelf
- LightTower
- LED BioFresh lighting
- 2 BioFresh safes with SoftTelescopic, 1 Fruit & Vegetable safe, 1 Meat & Dairy safe



IRBci 4550
Prime

Door-on-door / built-in appliance for integrated use	
Energy efficiency class:	C
Energy consumption per year / 24 h:	92 / 0.252 kWh
Total volume ¹ :	224 l
Volume:	Fridge: 157.6 l / BioFresh compartment: 67.0 l
Noise output / Sound power level:	32 dB(A) / B, SuperSilent
Climate rating:	SN-T (from +10 °C to +43 °C)
Aperture dimensions in cm (h/w/d):	139.7 - 141.3 / 56 - 57 / at least 55.0



- Controls**
- 2.4" TFT-colour display, touch- & swipe-electronics
 - Digital temperature display for refrigerator and BioFresh compartment
 - SmartDeviceBox included
 - Alarm in case of malfunction: visual and acoustic
 - Door alarm fridge compartment: visual and acoustic
- Key features**
- Integrated bottle shelf
 - LightTower
 - LED BioFresh lighting
 - 2 BioFresh safes with SoftTelescopic, 1 Fruit & Vegetable safe, 1 Meat & Dairy safe
 - Height-adjustable feet at front
 - Reversible door hinging
 - Replaceable door seal
 - SmartSteel rear
- Fridge and BioFresh compartment**
- PowerCooling with FreshAir active carbon filter
 - Premium GlassLine shelving with bottle holder, removable VarioBoxes, adjustable egg tray, butter dish
 - 4 GlassLine shelves, of which 1 divisible
 - VarioSafe



IRBAb 4170
Peak

Door-on-door / built-in appliance for integrated use	
Energy efficiency class:	B
Energy consumption per year / 24 h:	72 / 0.197 kWh
Total volume ¹ :	191 l
Volume:	Fridge: 124.4 l / BioFresh compartment: 66.6 l
Noise output / Sound power level:	29 dB(A) / A, UltraSilent
Climate rating:	SN-T (from +10 °C to +43 °C)
Aperture dimensions in cm (h/w/d):	121.6 - 122.6 / 56 - 57 / at least 55.0



- Controls**
- 2.4" TFT-colour display, touch- & swipe-electronics
 - LED BioFresh lighting
 - Digital temperature display for refrigerator and BioFresh compartment
 - SmartDeviceBox included
 - Alarm in case of malfunction: visual and acoustic
 - Door alarm fridge compartment: visual and acoustic
- Key features**
- Integrated bottle shelf
 - LightTower
 - LED BioFresh lighting
 - 2 BioFresh safes with SoftTelescopic, 1 Fruit & Vegetable safe with HydroBreeze, 1 Meat & Dairy safe, 1 FlexSystem
 - Height-adjustable feet at front
 - 617001Reversible door hinging
 - Replaceable door seal
 - Rear wall and door panel in stainless steel with SmartSteel
- Fridge and BioFresh compartment**
- PowerCooling with Ambilight and FreshAir active carbon filter
 - Premium GlassLine shelving with bottle holder, removable VarioBoxes, adjustable egg tray, butter dish
 - 3 GlassLine shelves, of which 1 divisible
 - VarioSafe

Choose from left (617) or right (001) hand hinge, fixed.

Must be chosen at the point of sale, or completed by Liebherr trained and approved service agents.



IRBbsbi 4170
Peak

Door-on-door / built-in appliance for integrated use	
Energy efficiency class:	B
Energy consumption per year / 24 h:	72 / 0.197 kWh
Total volume ¹ :	191 l
Volume:	Fridge: 124.4 l / BioFresh compartment: 66.6 l
Noise output / Sound power level:	29 dB(A) / A, UltraSilent
Climate rating:	SN-T (from +10 °C to +43 °C)
Aperture dimensions in cm (h/w/d):	121.6 - 123.1 / 56 - 57 / at least 55.0



- Controls**
- 2.4" TFT-colour display, touch- & swipe-electronics
 - Digital temperature display for refrigerator and BioFresh compartment
 - SmartDeviceBox included
 - Alarm in case of malfunction: visual and acoustic
 - Door alarm fridge compartment: visual and acoustic
- Key features**
- Integrated bottle shelf
 - LightTower
 - LED BioFresh lighting
 - 2 BioFresh safes with SoftTelescopic, 1 Fruit & Vegetable safe with HydroBreeze, 1 Meat & Dairy safe, 1 FlexSystem
 - Height-adjustable feet at front
 - Reversible door hinging
 - Replaceable door seal
 - Rear wall and door panel in BlackSteel
- Fridge and BioFresh compartment**
- PowerCooling with Ambilight and FreshAir active carbon filter
 - Premium GlassLine shelving with bottle holder, removable VarioBoxes, adjustable egg tray, butter dish
 - 3 GlassLine shelves, of which 1 divisible
 - VarioSafe

Choose from left (IRBbsbi 4170) or right (IRBbsbi 4171) hand hinge, fixed.



IRBbi 4170
Peak

Door-on-door / built-in appliance for integrated use	
Energy efficiency class:	B
Energy consumption per year / 24 h:	72 / 0.197 kWh
Total volume ¹ :	191 l
Volume:	Fridge: 124.4 l / BioFresh compartment: 66.6 l
Noise output / Sound power level:	29 dB(A) / A, UltraSilent
Climate rating:	SN-T (from +10 °C to +43 °C)
Aperture dimensions in cm (h/w/d):	121.6 - 123.1 / 56 - 57 / at least 55.0



- Controls**
- 2.4" TFT-colour display, touch- & swipe-electronics
 - Digital temperature display for refrigerator and BioFresh compartment
 - SmartDeviceBox included
 - Alarm in case of malfunction: visual and acoustic
 - Door alarm fridge compartment: visual and acoustic
- Key features**
- Integrated bottle shelf
 - LightTower
 - LED BioFresh lighting
 - 2 BioFresh safes with SoftTelescopic, 1 Fruit & Vegetable safe with HydroBreeze, 1 Meat & Dairy safe, 1 FlexSystem
 - Height-adjustable feet at front
 - Reversible door hinging
 - Replaceable door seal
 - Rear wall and door panel in stainless steel with SmartSteel
- Fridge and BioFresh compartment**
- PowerCooling with Ambilight and FreshAir active carbon filter
 - Premium GlassLine shelving with bottle holder, removable VarioBoxes, adjustable egg tray, butter dish
 - 3 GlassLine shelves, of which 1 divisible
 - VarioSafe



IRBci 4150
Prime

Door-on-door / built-in appliance for integrated use	
Energy efficiency class:	C
Energy consumption per year / 24 h:	91 / 0.249 kWh
Total volume ¹ :	191 l
Volume:	Fridge: 124.1 l / BioFresh compartment: 67.0 l
Noise output / Sound power level:	33 dB(A) / B, SuperSilent
Climate rating:	SN-T (from +10 °C to +43 °C)
Aperture dimensions in cm (h/w/d):	121.6 - 123.1 / 56 - 57 / at least 55.0



Controls

- 2.4" TFT-colour display, touch- & swipe-electronics
- Digital temperature display for refrigerator and BioFresh compartment
- SmartDeviceBox included
- Alarm in case of malfunction: visual and acoustic
- Door alarm fridge compartment: visual and acoustic

Fridge and BioFresh compartment

- PowerCooling with FreshAir active carbon filter
- Premium GlassLine shelving with bottle holder, removable VarioBoxes, adjustable egg tray, butter dish
- 3 GlassLine shelves, of which 1 divisible
- VarioSafe
- Integrated bottle shelf
- LightTower
- LED BioFresh lighting
- 2 BioFresh safes with SoftTelescopic, 1 Fruit & Vegetable safe, 1 Meat & Dairy safe

Key features

- Height-adjustable feet at front
- Reversible door hinging
- Replaceable door seal
- SmartSteel rear



IRBSd 4120
Plus

Sliding door / built-in appliance for integrated use	
Energy efficiency class:	D
Energy consumption per year / 24 h:	114 / 0.312 kWh
Total volume ¹ :	189 l
Volume:	Fridge: 123.0 l / BioFresh compartment: 66.8 l
Noise output / Sound power level:	35 dB(A) / B, SuperSilent
Climate rating:	SN-T (from +10 °C to +43 °C)
Aperture dimensions in cm (h/w/d):	121.6 - 123.1 / 56 - 57 / at least 55.0



Controls

- LC monochrome display, touch electronic
- Digital temperature display for refrigerator compartment
- SmartDeviceBox: as an optional accessory
- Alarm in case of malfunction: visual and acoustic
- Door alarm fridge compartment: visual and acoustic

Fridge and BioFresh compartment

- PowerCooling with FreshAir active carbon filter
- Plastic storage racks with bottle holder, egg tray, FlexCube
- 4 GlassLine shelves, of which 1 divisible
- Integrated bottle shelf
- LED ceiling lighting
- 2 BioFresh safes with partial extension on telescopic rails, 1 Fruit & Vegetable safe, 1 Meat & Dairy safe

Key features

- Height-adjustable feet at front
- Reversible door hinging
- Replaceable door seal



IRBc 4121
Plus

Door-on-door / built-in appliance for integrated use	
Energy efficiency class:	C
Energy consumption per year / 24 h:	118 / 0.323 kWh
Total volume ¹ :	173 l
Volume:	Fridge: 90.9 l / BioFresh compartment: 66.8 l / Freezer compartment: 16 l
Noise output / Sound power level:	32 dB(A) / B, SuperSilent
Climate rating:	SN-T (from +10 °C to +43 °C)
Aperture dimensions in cm (h/w/d):	121.6 - 123.1 / 56 - 57 / at least 55.0



Controls

- LC monochrome display, touch electronic
- Digital temperature display for refrigerator compartment
- SmartDeviceBox: as an optional accessory
- Alarm in case of malfunction: visual and acoustic
- Door alarm fridge compartment: visual and acoustic

Fridge and BioFresh compartment

- PowerCooling with FreshAir active carbon filter
- Plastic storage racks with bottle holder, egg tray, FlexCube
- 3 GlassLine shelves, of which 1 divisible
- Integrated bottle shelf
- LED lighting column on both sides
- 2 BioFresh safes with partial extension on telescopic rails, 1 Fruit & Vegetable safe, 1 Meat & Dairy safe

Freezer compartment ********

- 4-star compartment, reversible door hinging
- Ice cube tray
- Storage time in the event of power cut: 9 h
- Freezing capacity in 24 h: 2 kg

Key features

- Height-adjustable feet at front
- Reversible door hinging
- Replaceable door seal



IRBbi 4050
Prime

Door-on-door / built-in appliance for integrated use	
Energy efficiency class:	B
Energy consumption per year / 24 h:	74 / 0.202 kWh
Total volume ¹ :	157 l
Volume:	Fridge: 88.6 l / BioFresh compartment: 69.0 l
Noise output / Sound power level:	33 dB(A) / B, SuperSilent
Climate rating:	SN-T (from +10 °C to +43 °C)
Aperture dimensions in cm (h/w/d):	102.4 - 104 / 56 - 57 / at least 55.0



Controls

- 2.4" TFT-colour display, touch- & swipe-electronics
- Digital temperature display for refrigerator and BioFresh compartment
- SmartDeviceBox included
- Alarm in case of malfunction: visual and acoustic
- Door alarm fridge compartment: visual and acoustic

Fridge and BioFresh compartment

- PowerCooling with FreshAir active carbon filter
- Premium GlassLine shelving with bottle carrier, adjustable egg tray, butter dish
- 3 GlassLine shelves, of which 1 divisible
- Integrated bottle shelf
- LightTower
- LED BioFresh lighting
- 2 BioFresh safes with SoftTelescopic, 1 Fruit & Vegetable safe, 1 Meat & Dairy safe

Key features

- Height-adjustable feet at front
- Reversible door hinging
- Replaceable door seal
- SmartSteel rear

Refrigerator with BioFresh for integrated use



↑
102
↓

IRBc 4020
Plus

Door-on-door / built-in appliance for integrated use

Energy efficiency class:	C
Energy consumption per year / 24 h:	92 / 0.252 kWh
Total volume ¹ :	156 l
Volume:	Fridge: 88.0 l / BioFresh compartment: 68.7 l
Noise output / Sound power level:	33 dB(A) / B, SuperSilent
Climate rating:	SN-T (from +10 °C to +43 °C)
Aperture dimensions in cm (h/w/d):	102.4 - 104 / 56 - 57 / at least 55.0



Controls

- LC monochrome display, touch electronic
- Digital temperature display for refrigerator compartment
- SmartDeviceBox: as an optional accessory
- Alarm in case of malfunction: visual and acoustic
- Door alarm fridge compartment: visual and acoustic

Fridge and BioFresh compartment

- PowerCooling with FreshAir active carbon filter
- Plastic storage racks with bottle holder, egg tray, FlexCube
- 3 GlassLine shelves, of which 1 divisible
- Integrated bottle shelf
- LED ceiling lighting
- 2 BioFresh safes with partial extension on telescopic rails, 1 Fruit & Vegetable safe, 1 Meat & Dairy safe

Key features

- Height-adjustable feet at front
- Reversible door hinging
- Replaceable door seal

Full BioFresh refrigerator for integrated use



Side
by
Side

↑
88
↓

SIBa20i 3950
Prime

Door-on-door / built-in appliance for integrated use

Energy efficiency class:	A
Energy consumption per year / 24 h:	63 / 0.172 kWh
Total volume ¹ :	87 l
Volume:	BioFresh compartment: 87.2 l
Noise output / Sound power level:	34 dB(A) / B, SuperSilent
Climate rating:	SN-T (from +10 °C to +43 °C)
Aperture dimensions in cm (h/w/d):	87.4 - 89 / 56 - 57 / at least 55.0



Controls

- 2.4" TFT-colour display, touch- & swipe-electronics
- Digital temperature display
- SmartDeviceBox included
- Alarm in case of malfunction: visual and acoustic
- Door alarm freezer compartment: visual and acoustic

Fridge and BioFresh compartment

- 3 GlassLine shelves
- LED lighting
- LED BioFresh lighting
- 4 BioFresh safes safety glass fittings

Key features

- Side-panel heating and ceiling heating, suitable for combination with other fridges, freezers and/or wine appliances
- Height-adjustable feet at front
- Reversible door hinging
- Replaceable door seal



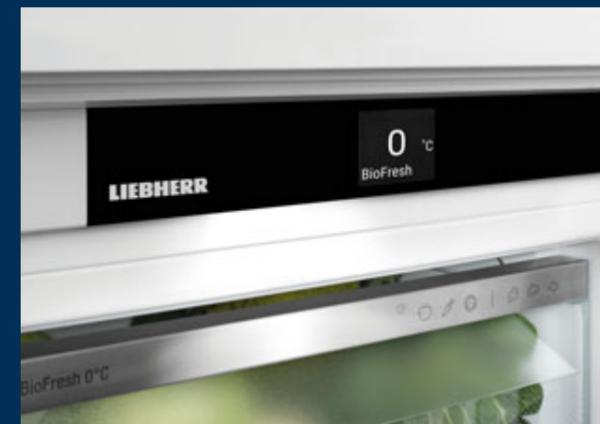
SIBa20i 3950 ◯ Prime series

**Ultra
Efficient
A -20%**

*

This Liebherr is not only efficient, but ultra-efficient, even outperforming the standard of the best energy efficiency class A by 20%. This saves money and resources like never before.

* Compared to the threshold for the maximum energy efficiency class A according to Regulation (EU) 2019/2016 (as of July 2023).



Touch & Swipe-electronics

Control of your Liebherr at your fingertips: thanks to the Touch & Swipe display, you can operate your refrigerator intuitively and with ease. The temperature is controlled just as easily. And, what if you are not actively using the display? Well, it then shows you the actual temperature.



Full-space BioFresh appliance

If you like fresh food, you will love the full-space BioFresh appliance, SIBa20i 3950. It provides perfect storage conditions for your entire harvest: A temperature of nearly 0 °C and variable humidity ensure fruit and vegetables remain fresh and crisp. And, if it's a smaller harvest this year, the drawers keep dairy, meat and sausages fresh for longer than in the regular fridge compartment. This appliance is rated in the highest Energy Efficiency Class A.

¹ In accordance with Regulation EU 2019/2016 we indicate the total volume to the nearest integer (rounded off) and the volume of the frozen compartments and refrigeration compartments to one place after the decimal point. You can find the full range of efficiency classes on page 13. According to (EU) 2017/1369 6a.



IRDDi 5121 ◊ Plus series

Refrigerators with EasyFresh for integrated use



Door-on-door / built-in appliance for integrated use

Energy efficiency class:	D <small>A</small>
Energy consumption per year / 24 h:	91 / 0.249 kWh
Total volume ¹ :	309 l
Noise output / Sound power level:	33 dB(A) / B, SuperSilent
Climate rating:	SN-T (from +10 °C to +43 °C)
Aperture dimensions in cm (h/w/d):	177.2 - 178.8 / 56 - 57 / at least 55.0

Door-on-door / built-in appliance for integrated use

Energy efficiency class:	D <small>A</small>
Energy consumption per year / 24 h:	137 / 0.375 kWh
Total volume ¹ :	286 l
Volume:	Fridge: 259.2 l / Freezer compartment: 27 l
Noise output / Sound power level:	34 dB(A) / B, SuperSilent
Climate rating:	SN-T (from +10 °C to +43 °C)
Aperture dimensions in cm (h/w/d):	177.2 - 178.8 / 56 - 57 / at least 55.0



Controls

- LC monochrome display, touch electronic
- Digital temperature display
- SmartDeviceBox included
- Alarm in case of malfunction: visual and acoustic
- Door alarm fridge compartment: visual and acoustic

Fridge compartment

- PowerCooling with FreshAir active carbon filter
- Plastic storage racks with bottle holder, egg tray, FlexCube
- 5 GlassLine shelves, of which 1 divisible
- VarioSafe
- LED ceiling lighting
- 1 EasyFresh safe with partial extension on telescopic rails
- 1 vegetable drawer running on telescopic rails

- Pull-out shelf on telescopic rails
- 2 removable bottle baskets

Key features

- Height-adjustable feet at front
- Reversible door hinging
- Replaceable door seal

Stainless steel panel and handle available as optional accessory: No. 9902007

Controls

- LC monochrome display, touch electronic
- Digital temperature display for refrigerator compartment
- SmartDeviceBox included
- Alarm in case of malfunction: visual and acoustic
- Door alarm fridge compartment: visual and acoustic

Fridge compartment

- PowerCooling with FreshAir active carbon filter
- Plastic storage racks with bottle holder, egg tray, FlexCube
- 3 GlassLine shelves, of which 1 divisible
- VarioSafe
- LED lighting column on both sides
- 1 EasyFresh safe with partial extension on telescopic rails
- 1 vegetable drawer running on telescopic rails

- Pull-out shelf on telescopic rails
- 2 removable bottle baskets

Freezer compartment ********

- 4-star compartment, reversible door hinging
- Ice cube tray
- Storage time in the event of power cut: 14 h
- Freezing capacity in 24 h: 2 kg
- Glass shelves

Key features

- Height-adjustable feet at front
- Reversible door hinging
- Replaceable door seal

Stainless steel panel and handle available as optional accessory: No. 9902007



Pull-out shelf

Without the bottle baskets the pull-out shelf offers space for a commercial bottle crate. The smooth-running telescopic rails ensure easy access to the large stock of chilled drinks.



Bottle baskets

Do your family and party guests love cold drinks? Often the inside door of the refrigerator isn't enough for bottle cooling. However, your Liebherr will be happy to help. There's plenty of room in the bottle baskets for bottles and Tetrapaks – or even a whole crate of beer. The shelves of the baskets rest on telescopic rails and slide out gently for easy removal.



178

IRe 5101
Pure

Door-on-door / built-in appliance for integrated use	
Energy efficiency class:	E <small>A+ G</small>
Energy consumption per year / 24 h:	171 / 0.468 kWh
Total volume ¹ :	286 l
Volume:	Fridge: 259.0 l / Freezer compartment: 27 l
Noise output / Sound power level:	34 dB(A) / B, SuperSilent
Climate rating:	SN-T (from +10 °C to +43 °C)
Aperture dimensions in cm (h/w/d):	177.2 - 178.8 / 56 - 57 / at least 55.0



Controls

- LC monochrome display, touch electronic
- Digital temperature display for refrigerator compartment
- SmartDeviceBox: as an optional accessory
- Alarm in case of malfunction: visual and acoustic
- Door alarm fridge compartment: visual and acoustic

Fridge compartment

- PowerCooling with FreshAir active carbon filter
- Plastic storage racks with bottle holder, egg tray
- 5 GlassLine shelves
- Bottle shelf
- LED lighting column on both sides
- 1 EasyFresh safe with partial extension on telescopic rails
- 1 vegetable drawer running on telescopic rails

Freezer compartment ********

- 4-star compartment, reversible door hinging
- Storage time in the event of power cut: 14 h
- Freezing capacity in 24 h: 2 kg
- Glass shelves

Key features

- Height-adjustable feet at front
- Reversible door hinging
- Replaceable door seal



178

IRe 5100
Pure

Door-on-door / built-in appliance for integrated use	
Energy efficiency class:	E <small>A+ G</small>
Energy consumption per year / 24 h:	114 / 0.312 kWh
Total volume ¹ :	308 l
Volume:	Fridge: 308.8 l
Noise output / Sound power level:	33 dB(A) / B, SuperSilent
Climate rating:	SN-T (from +10 °C to +43 °C)
Aperture dimensions in cm (h/w/d):	177.2 - 178.8 / 56 - 57 / at least 55.0



Controls

- LC monochrome display, touch electronic
- Digital temperature display
- SmartDeviceBox: as an optional accessory
- Alarm in case of malfunction: visual and acoustic
- Door alarm fridge compartment: visual and acoustic

Fridge compartment

- PowerCooling with FreshAir active carbon filter
- Plastic storage racks with bottle holder, egg tray
- 7 GlassLine shelves
- Bottle shelf
- LED ceiling lighting
- 1 EasyFresh safe with partial extension on telescopic rails
- 1 vegetable drawer running on telescopic rails

Key features

- Height-adjustable feet at front
- Reversible door hinging
- Replaceable door seal



140

IRd 4520
Plus

Door-on-door / built-in appliance for integrated use	
Energy efficiency class:	D <small>A+ G</small>
Energy consumption per year / 24 h:	84 / 0.230 kWh
Total volume ¹ :	235 l
Volume:	Fridge: 166.5 l / Freezer compartment: 16 l
Noise output / Sound power level:	33 dB(A) / B, SuperSilent
Climate rating:	SN-T (from +10 °C to +43 °C)
Aperture dimensions in cm (h/w/d):	139.7 - 141.3 / 56 - 57 / at least 55.0



Controls

- LC monochrome display, touch electronic
- Digital temperature display
- SmartDeviceBox: as an optional accessory
- Alarm in case of malfunction: visual and acoustic
- Door alarm fridge compartment: visual and acoustic

Fridge compartment

- PowerCooling with FreshAir active carbon filter
- Plastic storage racks with bottle holder, egg tray, FlexCube
- 7 GlassLine shelves, of which 1 divisible
- VarioSafe
- 3 Bottle shelf
- LED ceiling lighting
- 1 EasyFresh safe with integrated drawer guide
- Pull-out shelf on telescopic rails

Key features

- Height-adjustable feet at front
- Reversible door hinging
- Replaceable door seal



122

IRc 4121
Plus

Door-on-door / built-in appliance for integrated use	
Energy efficiency class:	C <small>A+ G</small>
Energy consumption per year / 24 h:	95 / 0.260 kWh
Total volume ¹ :	182 l
Volume:	Fridge: 166.5 l / Freezer compartment: 16 l
Noise output / Sound power level:	32 dB(A) / B, SuperSilent
Climate rating:	SN-T (from +10 °C to +43 °C)
Aperture dimensions in cm (h/w/d):	121.6 - 123.1 / 56 - 57 / at least 55.0



Controls

- LC monochrome display, touch electronic
- Digital temperature display for refrigerator compartment
- SmartDeviceBox: as an optional accessory
- Alarm in case of malfunction: visual and acoustic
- Door alarm fridge compartment: visual and acoustic

Fridge compartment

- Plastic storage racks with bottle holder, egg tray, FlexCube
- 4 GlassLine shelves, of which 1 divisible
- VarioSafe
- 3 Bottle shelf
- LED lighting column on both sides
- 1 EasyFresh safe with integrated drawer guide

Freezer compartment ********

- 4-star compartment, reversible door hinging
- Ice cube tray
- Storage time in the event of power cut: 9 h
- Freezing capacity in 24 h: 2 kg

Key features

- Height-adjustable feet at front
- Reversible door hinging
- Replaceable door seal



122

IRc 4120
Plus

Door-on-door / built-in appliance for integrated use	
Energy efficiency class:	C <small>A+ G</small>
Energy consumption per year / 24 h:	65 / 0.178 kWh
Total volume ¹ :	201 l
Volume:	Fridge: 166.5 l / Freezer compartment: 16 l
Noise output / Sound power level:	27 dB(A) / A, UltraSilent
Climate rating:	SN-T (from +10 °C to +43 °C)
Aperture dimensions in cm (h/w/d):	121.6 - 123.1 / 56 - 57 / at least 55.0



Controls

- LC monochrome display, touch electronic
- Digital temperature display
- SmartDeviceBox: as an optional accessory
- Alarm in case of malfunction: visual and acoustic
- Door alarm fridge compartment: visual and acoustic

Fridge compartment

- Plastic storage racks with bottle holder, egg tray, FlexCube
- 6 GlassLine shelves, of which 1 divisible
- VarioSafe
- 3 Bottle shelf
- LED ceiling lighting
- 1 EasyFresh safe with integrated drawer guide

Key features

- Height-adjustable feet at front
- Reversible door hinging
- Replaceable door seal



↑
122
↓

IRd 4101
Pure

Door-on-door / built-in appliance for integrated use

Energy efficiency class:	D <small>A G</small>
Energy consumption per year / 24 h:	119 / 0.326 kWh
Total volume ¹ :	182 l
Volume:	Fridge: 166.5 l / Freezer compartment: 16 l
Noise output / Sound power level:	32 dB(A) / B, SuperSilent
Climate rating:	SN-T (from +10 °C to +43 °C)
Aperture dimensions in cm (h/w/d):	121.6 - 123.1 / 56 - 57 / at least 55.0



Controls

- LC monochrome display, touch electronic
- Digital temperature display for refrigerator compartment
- SmartDeviceBox: as an optional accessory
- Alarm in case of malfunction: visual and acoustic
- Door alarm fridge compartment: visual and acoustic

Fridge compartment

- Plastic storage racks with bottle holder, egg tray
- 4 GlassLine shelves
- LED lighting column on both sides
- 1 EasyFresh safe with integrated drawer guide
- Pull-out shelf on telescopic rails

Freezer compartment **E******

- 4-star compartment, reversible door hinging
- Storage time in the event of power cut: 9 h
- Freezing capacity in 24 h: 2 kg

Key features

- Height-adjustable feet at front
- Reversible door hinging
- Replaceable door seal

¹ In accordance with Regulation EU 2019/2016 we indicate the total volume to the nearest integer (rounded off) and the volume of the frozen compartments and refrigeration compartments to one place after the decimal point.



↑
122
↓

IRd 4100
Pure

Door-on-door / built-in appliance for integrated use

Energy efficiency class:	D <small>A G</small>
Energy consumption per year / 24 h:	81 / 0.221 kWh
Total volume ¹ :	201 l
Volume:	Fridge: 166.5 l / Freezer compartment: 16 l
Noise output / Sound power level:	27 dB(A) / A, UltraSilent
Climate rating:	SN-T (from +10 °C to +43 °C)
Aperture dimensions in cm (h/w/d):	121.6 - 123.1 / 56 - 57 / at least 55.0



Controls

- LC monochrome display, touch electronic
- Digital temperature display
- SmartDeviceBox: as an optional accessory
- Alarm in case of malfunction: visual and acoustic
- Door alarm fridge compartment: visual and acoustic

Fridge compartment

- Plastic storage racks with bottle holder, egg tray
- 5 GlassLine shelves
- LED ceiling lighting
- 1 EasyFresh safe with integrated drawer guide
- Pull-out shelf on telescopic rails

Key features

- Height-adjustable feet at front
- Reversible door hinging
- Replaceable door seal



↑
122
↓

IRSe 4101
Pure

Sliding door / built-in appliance for integrated use

Energy efficiency class:	E <small>A G</small>
Energy consumption per year / 24 h:	149 / 0.408 kWh
Total volume ¹ :	182 l
Volume:	Fridge: 166.5 l / Freezer compartment: 16 l
Noise output / Sound power level:	35 dB(A) / B, SuperSilent
Climate rating:	SN-ST (from +10 °C to +38 °C)
Aperture dimensions in cm (h/w/d):	121.6 - 123.1 / 56 - 57 / at least 55.0



Controls

- LC monochrome display, touch electronic
- Digital temperature display for refrigerator compartment
- SmartDeviceBox: as an optional accessory
- Alarm in case of malfunction: visual and acoustic
- Door alarm fridge compartment: visual and acoustic

Fridge compartment

- Plastic storage racks with bottle holder, egg tray
- 4 GlassLine shelves
- LED lighting column on both sides
- 1 EasyFresh safe with integrated drawer guide

Freezer compartment **E******

- 4-star compartment, reversible door hinging
- Storage time in the event of power cut: 9 h
- Freezing capacity in 24 h: 2 kg

Key features

- Height-adjustable feet at front
- Reversible door hinging
- Replaceable door seal

You can find the full range of efficiency classes on page 13. According to (EU) 2017/1369 6a.



↑
122
↓

IRSe 4100
Pure

Sliding door / built-in appliance for integrated use

Energy efficiency class:	E <small>A G</small>
Energy consumption per year / 24 h:	101 / 0.276 kWh
Total volume ¹ :	201 l
Volume:	Fridge: 166.5 l / Freezer compartment: 16 l
Noise output / Sound power level:	35 dB(A) / B, SuperSilent
Climate rating:	SN-T (from +10 °C to +43 °C)
Aperture dimensions in cm (h/w/d):	121.6 - 123.1 / 56 - 57 / at least 55.0



Controls

- LC monochrome display, touch electronic
- Digital temperature display
- SmartDeviceBox: as an optional accessory
- Alarm in case of malfunction: visual and acoustic
- Door alarm fridge compartment: visual and acoustic

Fridge compartment

- Plastic storage racks with bottle holder, egg tray
- 5 GlassLine shelves
- LED ceiling lighting
- 1 EasyFresh safe with integrated drawer guide

Key features

- Height-adjustable feet at front
- Reversible door hinging
- Replaceable door seal



EasyFresh

The guarantee of market freshness in the home is our EasyFreshSafe. Whether it's unpackaged vegetables or fruit, this ensures optimal storage for everything. Thanks to the air-tight closure, the food causes the humidity in the safe to rise. This keeps the food fresh for a long time.



Separable glass shelf

If you store a carafe or tall container in the refrigerator, you don't want to have to remove an entire glass shelf. And why should you? Because there are separable glass shelves. Simply slide the front half of the glass shelf under the back half. This allows you to place higher containers at the front and still have enough space for other food.



IRd 4020
Plus

Door-on-door / built-in appliance for integrated use	
Energy efficiency class:	D <small>A B C D E F G</small>
Energy consumption per year / 24 h:	77 / 0.211 kWh
Total volume ¹ :	166 l
Noise output / Sound power level:	32 dB(A) / B, SuperSilent
Climate rating:	SN-T (from +10 °C to +43 °C)
Aperture dimensions in cm (h/w/d):	102.4 - 104 / 56 - 57 / at least 55.0



Controls

- LC monochrome display, touch electronic
- Digital temperature display
- SmartDeviceBox: as an optional accessory
- Alarm in case of malfunction: visual and acoustic
- Door alarm fridge compartment: visual and acoustic

Fridge compartment

- Plastic storage racks with bottle holder, egg tray, FlexCube
- 4 GlassLine shelves, of which 1 divisible
- VarioSafe
- 3 Bottle shelf
- LED ceiling lighting
- 1 EasyFresh safe
- Pull-out shelf on telescopic rails

Key features

- Height-adjustable feet at front
- Reversible door hinging
- Replaceable door seal

¹ In accordance with Regulation EU 2019/2016 we indicate the total volume to the nearest integer (rounded off) and the volume of the frozen compartments and refrigeration compartments to one place after the decimal point.



IRd 4021
Plus

Door-on-door / built-in appliance for integrated use	
Energy efficiency class:	D <small>A B C D E F G</small>
Energy consumption per year / 24 h:	118 / 0.323 kWh
Total volume ¹ :	146 l
Volume:	Fridge: 130.9 l / Freezer compartment: 16 l
Noise output / Sound power level:	33 dB(A) / B, SuperSilent
Climate rating:	SN-T (from +10 °C to +43 °C)
Aperture dimensions in cm (h/w/d):	102.4 - 104 / 56 - 57 / at least 55.0



Controls

- LC monochrome display, touch electronic
- Digital temperature display for refrigerator compartment
- SmartDeviceBox: as an optional accessory
- Alarm in case of malfunction: visual and acoustic
- Door alarm fridge compartment: visual and acoustic

Fridge compartment

- Plastic storage racks with bottle holder, egg tray, FlexCube
- 3 GlassLine shelves, of which 1 divisible
- VarioSafe
- 3 Bottle shelf
- LED lighting column
- 1 EasyFresh safe
- Pull-out shelf on telescopic rails

Freezer compartment **4******

- 4-star compartment, reversible door hinging
- Ice cube tray
- Storage time in the event of power cut: 9 h
- Freezing capacity in 24 h: 2 kg

Key features

- Height-adjustable feet at front
- Reversible door hinging
- Replaceable door seal

You can find the full range of efficiency classes on page 13. According to (EU) 2017/1369 6a.



IRci 3950
Prime

Door-on-door / built-in appliance for integrated use	
Energy efficiency class:	C <small>A B C D E F G</small>
Energy consumption per year / 24 h:	60 / 0.164 kWh
Total volume ¹ :	136 l
Noise output / Sound power level:	27 dB(A) / A, UltraSilent
Climate rating:	SN-T (from +10 °C to +43 °C)
Aperture dimensions in cm (h/w/d):	87.4 - 89 / 56 - 57 / at least 55.0



Controls

- 2.4" TFT-colour display, touch- & swipe-electronics
- Digital temperature display
- SmartDeviceBox included
- Alarm in case of malfunction: visual and acoustic
- Door alarm fridge compartment: visual and acoustic

Fridge compartment

- Premium GlassLine shelving with bottle holder, removable VarioBoxes, adjustable egg tray, butter dish
- 4 GlassLine shelves, of which 1 divisible
- VarioSafe
- 3 Bottle shelf
- LED ceiling lighting
- 1 EasyFresh safe

Key features

- Height-adjustable feet at front
- Reversible door hinging
- Replaceable door seal



88

IRe 3901
Pure

Door-on-door / built-in appliance for integrated use

Energy efficiency class:	E <small>A G</small>
Energy consumption per year / 24 h:	147 / 0.402 kWh
Total volume ¹ :	117 l
Volume:	Fridge: 101.6 l / Freezer compartment: 16 l
Noise output / Sound power level:	35 dB(A) / B, SuperSilent
Climate rating:	SN-ST (from +10 °C to +38 °C)
Aperture dimensions in cm (h/w/d):	87.4 - 89 / 56 - 57 / at least 55.0



Controls

- LC monochrome display, touch electronic
- Digital temperature display for refrigerator compartment
- SmartDeviceBox: as an optional accessory
- Alarm in case of malfunction: visual and acoustic
- Door alarm fridge compartment: visual and acoustic

Fridge compartment

- Plastic storage racks with bottle holder, egg tray
- 3 GlassLine shelves
- LED lighting column
- 1 EasyFresh safe

Freezer compartment **4******

- 4-star compartment, reversible door hinging
- Storage time in the event of power cut: 9 h
- Freezing capacity in 24 h: 2 kg

Key features

- Height-adjustable feet at front
- Reversible door hinging
- Replaceable door seal



88

IRSe 3901
Pure

Sliding door / built-in appliance for integrated use

Energy efficiency class:	E <small>A G</small>
Energy consumption per year / 24 h:	147 / 0.402 kWh
Total volume ¹ :	117 l
Volume:	Fridge: 101.6 l / Freezer compartment: 16 l
Noise output / Sound power level:	35 dB(A) / B, SuperSilent
Climate rating:	SN-ST (from +10 °C to +38 °C)
Aperture dimensions in cm (h/w/d):	87.4 - 89 / 56 - 57 / at least 55.0



Controls

- LC monochrome display, touch electronic
- Digital temperature display for refrigerator compartment
- SmartDeviceBox: as an optional accessory
- Alarm in case of malfunction: visual and acoustic
- Door alarm fridge compartment: visual and acoustic

Fridge compartment

- Plastic storage racks with bottle holder, egg tray
- 3 GlassLine shelves
- LED lighting column
- 1 EasyFresh safe

Freezer compartment **4******

- 4-star compartment, reversible door hinging
- Storage time in the event of power cut: 9 h
- Freezing capacity in 24 h: 2 kg

Key features

- Height-adjustable feet at front
- Reversible door hinging
- Replaceable door seal

¹ In accordance with Regulation EU 2019/2016 we indicate the total volume to the nearest integer (rounded off) and the volume of the frozen compartments and refrigeration compartments to one place after the decimal point.



88

IRd 3900
Pure

Door-on-door / built-in appliance for integrated use

Energy efficiency class:	D <small>A G</small>
Energy consumption per year / 24 h:	75 / 0.205 kWh
Total volume ¹ :	136 l
Volume:	Fridge: 101.6 l / Freezer compartment: 16 l
Noise output / Sound power level:	28 dB(A) / A, UltraSilent
Climate rating:	SN-T (from +10 °C to +43 °C)
Aperture dimensions in cm (h/w/d):	87.4 - 89 / 56 - 57 / at least 55.0



Controls

- LC monochrome display, touch electronic
- Digital temperature display
- SmartDeviceBox: as an optional accessory
- Alarm in case of malfunction: visual and acoustic
- Door alarm fridge compartment: visual and acoustic

Fridge compartment

- Plastic storage racks with bottle holder, egg tray
- 5 GlassLine shelves
- LED ceiling lighting
- 1 EasyFresh safe
- Pull-out shelf on telescopic rails

Key features

- Height-adjustable feet at front
- Reversible door hinging
- Replaceable door seal

You can find the full range of efficiency classes on page 13. According to (EU) 2017/1369 6a.



88

IRSe 3900
Pure

Sliding door / built-in appliance for integrated use

Energy efficiency class:	E <small>A G</small>
Energy consumption per year / 24 h:	93 / 0.254 kWh
Total volume ¹ :	136 l
Volume:	Fridge: 101.6 l / Freezer compartment: 16 l
Noise output / Sound power level:	35 dB(A) / B, SuperSilent
Climate rating:	SN-T (from +10 °C to +43 °C)
Aperture dimensions in cm (h/w/d):	87.4 - 89 / 56 - 57 / at least 55.0



Controls

- LC monochrome display, touch electronic
- Digital temperature display
- SmartDeviceBox: as an optional accessory
- Alarm in case of malfunction: visual and acoustic
- Door alarm fridge compartment: visual and acoustic

Fridge compartment

- Plastic storage racks with bottle holder, egg tray
- 4 GlassLine shelves
- LED ceiling lighting
- 1 EasyFresh safe

Key features

- Height-adjustable feet at front
- Reversible door hinging
- Replaceable door seal

Refrigerators with decor panel



DRe 4101 O Pure-Serie

Refrigerator with decor panel



↑
122
↓

DRe 4101
Pure

Flush / built-in appliance with décor panel

Energy efficiency class:	E
Energy consumption per year / 24 h:	149 / 0.408 kWh
Total volume ¹ :	182 l
Volume:	Fridge: 166.5 l / Freezer compartment: 16 l
Noise output / Sound power level:	35 dB(A) / B, SuperSilent
Climate rating:	SN-ST (from +10 °C to +38 °C)
Aperture dimensions in cm (h/w/d):	122 - 122.6 / 56 - 57 / at least 55.0



Controls

- LC monochrome display, touch electronic
- Digital temperature display for refrigerator compartment
- SmartDeviceBox: as an optional accessory
- Alarm in case of malfunction: visual and acoustic
- Door alarm fridge compartment: visual and acoustic

Fridge compartment

- Plastic storage racks with bottle holder, egg tray
- 4 GlassLine shelves
- LED lighting column on both sides
- 1 EasyFresh safe with integrated drawer guide

Freezer compartment

- 4-star compartment, reversible door hinging
- Storage time in the event of power cut: 9 h
- Freezing capacity in 24 h: 2 kg

Key features

- Height-adjustable feet at front
- Reversible door hinging
- Replaceable door seal



↑
88
↓

DRe 3900
Pure

Flush / built-in appliance with décor panel

Energy efficiency class:	E
Energy consumption per year / 24 h:	93 / 0.254 kWh
Total volume ¹ :	136 l
Noise output / Sound power level:	35 dB(A) / B, SuperSilent
Climate rating:	SN-T (from +10 °C to +43 °C)
Aperture dimensions in cm (h/w/d):	87.4 - 88 / 56 - 57 / at least 55.0



Controls

- LC monochrome display, touch electronic
- Digital temperature display
- SmartDeviceBox: as an optional accessory
- Alarm in case of malfunction: visual and acoustic
- Door alarm fridge compartment: visual and acoustic

Fridge compartment

- Plastic storage racks with bottle holder, egg tray
- 4 GlassLine shelves
- LED ceiling lighting
- 1 EasyFresh safe

Key features

- Height-adjustable feet at front
- Reversible door hinging
- Replaceable door seal

¹ In accordance with Regulation EU 2019/2016 we indicate the total volume to the nearest integer (rounded off) and the volume of the frozen compartments and refrigeration compartments to one place after the decimal point. You can find the full range of efficiency classes on page 13. According to (EU) 2017/1369 da.

Freezers



**Side
by
Side**

All Liebherr freezers with aperture heights of 122, 140 and 178 cm can be perfectly combined side by side with fridges and wine fridges in various recesses to form a Mix and Match freshness centre. For more information about the Side-by-Side concept see pages 30-33.

Freezers



○ Pure Series

◇ Plus series

◻ Prime series

△ Peak series

	○ Pure Series	◇ Plus Series	◻ Prime Series	△ Peak Series	
Freshness technology	SmartFrost				
	NoFrost	NoFrost	NoFrost	NoFrost	
Comfort & flexibility		SoftSystem soft stop mechanism	SoftSystem soft stop mechanism	SoftSystem soft stop mechanism	
	Drawer guide on glass plate (Niche: 72, 88)	Drawer guide on glass plate (Niche: 72, 88)	Drawer guide on glass plate (Niche: 88)		
	Integrated drawer guide (Niche: 178)	Integrated drawer guide (Niche: 178)	Integrated drawer guide (Niche: 122, 140)		
				Drawer guide on telescopic rails	
			Ice cube tray	Ice cube tray with lid	Ice cube tray with lid
			Freezer tray	Freezer tray	Freezer tray
Design			2 Cold storage accumulators	2 Cold storage accumulators	
	VarioSpace	VarioSpace	VarioSpace	VarioSpace	
			Lighting	Lighting	
				Lighting IceMaker	
	Touch display	Touch display	Touch & Swipe display	Touch & Swipe display	
Connectivity (SmartDeviceBox)	Can be retrofitted	Can be retrofitted	Can be retrofitted	Can be retrofitted or is included with "i" models	
Ice				IceTower	

Unique features



Freezer drawers

The top drawer in the freezer is often a bit of a mystery because you just can't see what's up there. A simple tilting function on the drawer allows it to be angled downwards when opened. This gives you a complete overview all the time. It also makes it easier to add and remove frozen goods. And the pull-out stop ensures the compartment does not fall out.



Ice cube tray

The large ice cube tray is easy to fill with water thanks to its convenient fill opening. The lid seals on tightly so that the tray can be safely moved and placed in the appliance without spills.



IceTower

You will never run out of cold drinks at your party. The IceTower, which holds 5.7 kg of ice cubes, makes sure of that. The ice cube scoop and the pull-out tray on telescopic rails allow easy access to the ice cubes. An extra insert tray means you can also store less ice and make room for frozen food underneath. The adjacent drawer provides storage space for frozen goods.



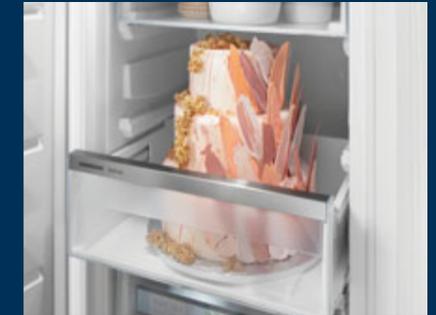
SoftSystem

The stylish SoftSystem mechanism is integrated into the door and matches the colour of the interior door; it conveniently cushions movement to ensure extremely soft closure even when the door shelves are fully stocked. The door closes automatically from an opening angle of about 30°.



Cold storage accumulator

The cold storage accumulators are doubly useful – both indoors and outdoors. Inside the freezer, they keep the frozen food cold for a period should there be a power failure. And they are on hand to chill your food and drinks when you're on outings.



VarioSpace

Want to store a multi-layer ice cream cake safely until the summer party? No problem for your Liebherr freezer: Sometimes you just need more space and it's prepared for just that. With VarioSpace you can remove individual freezer drawers and the horizontal glass dividers below them, and hey presto, you have an extra large storage space.



NoFrost

The NoFrost system from Liebherr provides rapid, fan-assisted, frost-free freezing for the safe, longterm storage of food. The NoFrost technology creates a much larger storage capacity and keeps the freezer constantly frost-free.



Side-by-Side-concept

Combine your Liebherr appliance with complete flexibility to suit your personal freshness needs. All models labelled side-by-side, can be vertically and/or horizontally combined to form your individual freshness centre, providing perfect solutions to all your storage needs. More information see pages 30-33.



LED-lighting

The LED lighting is positioned above the drawers in order to save space. It ensures the best overview of your goods, saves energy and has a long life.



Touch & Swipe display

Control of your Liebherr at your fingertips: thanks to the Touch & Swipe display, you can operate your refrigerator intuitively and with ease. Simply select functions such as SuperCool on the colour display by tapping and swiping. The temperature is controlled just as easily. And, what if you are not actively using the display? Well, it then shows you the actual temperature.



Ice cube scoop

The Liebherr ice scoop makes portioning and transporting of ice easy. Thanks to the slanted tip and the ergonomic handle, ice cubes can be made quickly and easily. The robust ice scoop made of sturdy plastic is also pleasing to the eye thanks to its satin surface in transparent glacier green.



Telescopic rails

The freezer drawers are mounted on high-quality, smooth-running telescopic rails for ease of use, even when heavily filled. The drawers offer ample storage space and have a single-piece design for easy removal and cleaning.



SIFNAd 5188 Δ Peak series

Freezer with NoFrost and AutoDoor for integrated use



SIFNAd 5188
Peak

Door-on-door / built-in appliance for integrated use

Energy efficiency class:	D <small>A B C D E F G</small>
Energy consumption per year / 24 h:	190 / 0.520 kWh
Total volume ¹ :	213 l
Noise output / Sound power level:	33 dB(A) / B, SuperSilent
Climate rating:	SN-T (from +10 °C to +43 °C)
Aperture dimensions in cm (h/w/d):	177.2 - 178.8 / 56 - 57 / at least 55.0

No Frost	Super Frost	LED	Ice Tower	Ice Maker	Auto Door	Soft System	Telescopic Rails	Super Silent
Touch & Swipe-Display	VarioSpace	Smart Device						

Controls

- 2.4" TFT-colour display, touch- & swipe-electronics
- Digital temperature display
- SmartDeviceBox included
- Alarm in case of malfunction: visual and acoustic
- Door alarm freezer compartment: visual and acoustic

- Storage time in the event of power cut: 9 h
- Freezing capacity in 24 h: 12 kg
- 2 cold storage accumulators
- Safety glass fittings
- Freezer tray

Key features

- Choose from right hand hinge or left hand hinge
- other fridges, freezers and/or wine appliances
- Height-adjustable feet at front
- Reversible door hinging
- Replaceable door seal

Freezer compartment ***

- 8 drawers, of which 5 on telescopic rails, VarioSpace
- IceTower
- IceMaker for plumbed-in connection 3/4"
- Ice cube production in 24 h: 0.8 kg
- Ice cube storage: 5.7 kg
- LED lighting

Choose from left (617) or right (001) hand hinge, fixed. Must be chosen at the point of sale, or completed by Liebherr trained and approved service agents.



Integrated SmartDeviceBox

Your Liebherr may well be standing in the kitchen – but if you want, it can also be connected to the Internet at any time. The integrated SmartDeviceBox opens the door to all the Smart Home benefits. Simply plug it in, switch it on and connect your Liebherr to the network via Wi-Fi.



AutoDoor

Hands-free option with Liebherr: Thanks to AutoDoor, you can open your Liebherr with a knocking signal or voice command. This makes the Liebherr the world's first refrigerator which can be opened and closed fully automatically – perfection in the hands-free kitchen. You can individually select the opening angle and the duration until closing. And if need be, you can also open and close it just as easily by hand or using your smartphone.



Side-by-Side-concept

Combine your Liebherr appliance with complete flexibility to suit your personal freshness needs. All models labelled side-by-side, can be vertically and/or horizontally combined to form your individual freshness centre, providing perfect solutions to all your storage needs. More information see pages 30-33.

Freezers with NoFrost for integrated use



SIFNbsdi 5188
Peak

Door-on-door / built-in appliance for integrated use	
Energy efficiency class:	D <small>A+ G</small>
Energy consumption per year / 24 h:	190 / 0.520 kWh
Total volume ¹ :	213 l
Noise output / Sound power level:	33 dB(A) / B, SuperSilent
Climate rating:	SN-T (from +10 °C to +43 °C)
Aperture dimensions in cm (h/w/d):	177.2 - 178.8 / 56 - 57 / at least 55.0



- Controls**
- 2.4" TFT-colour display, touch- & swipe-electronics
 - Digital temperature display
 - SmartDeviceBox included
 - Alarm in case of malfunction: visual and acoustic
 - Door alarm freezer compartment: visual and acoustic
- Freezer compartment** **4*****
- 8 drawers, of which 5 on telescopic rails, VarioSpace
 - IceTower
 - IceMaker for plumbed-in connection 3/4"
 - Ice cube production in 24 h: 0.8 kg
 - Ice cube storage: 5.7 kg
 - LED lighting
- Key features**
- Storage time in the event of power cut: 9 h
 - Freezing capacity in 24 h: 12 kg
 - 2 cold storage accumulators
 - Safety glass fittings
 - Freezer tray
 - Side-panel heating on both sides, suitable for combination with other fridges, freezers and/or wine appliances
 - Height-adjustable feet at front
 - Left hand hinge, reversible
 - Replaceable door seal
 - Trims in BlackSteel

For fridge and freezer sets please see our Side-by-Side Freshness Centres on pages 30-33.
Stainless steel panel and handle available as optional accessory: No. 9902 007
Choose from left (617) or right (001) hand hinge, fixed.



SIFNdi 5188
Peak

Door-on-door / built-in appliance for integrated use	
Energy efficiency class:	D <small>A+ G</small>
Energy consumption per year / 24 h:	190 / 0.520 kWh
Total volume ¹ :	213 l
Noise output / Sound power level:	33 dB(A) / B, SuperSilent
Climate rating:	SN-T (from +10 °C to +43 °C)
Aperture dimensions in cm (h/w/d):	177.2 - 178.8 / 56 - 57 / at least 55.0



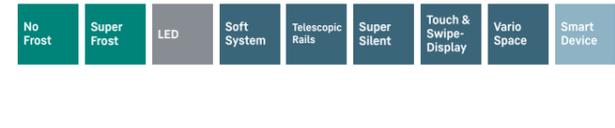
- Controls**
- 2.4" TFT-colour display, touch- & swipe-electronics
 - Digital temperature display
 - SmartDeviceBox included
 - Alarm in case of malfunction: visual and acoustic
 - Door alarm freezer compartment: visual and acoustic
- Freezer compartment** **4*****
- 8 drawers, of which 5 on telescopic rails, VarioSpace
 - IceTower
 - IceMaker for plumbed-in connection 3/4"
 - Ice cube storage: 5.7 kg
 - LED lighting
- Key features**
- Storage time in the event of power cut: 9 h
 - Freezing capacity in 24 h: 12 kg
 - 2 cold storage accumulators
 - Safety glass fittings
 - Freezer tray
 - Side-panel heating on both sides, suitable for combination with other fridges, freezers and/or wine appliances
 - Height-adjustable feet at front
 - Left hand hinge, reversible
 - Replaceable door seal

For fridge and freezer sets please see our Side-by-Side Freshness Centres on pages 30-33.
Stainless steel panel and handle available as optional accessory: No. 9902007



SIFNdi 5178
Peak

Door-on-door / built-in appliance for integrated use	
Energy efficiency class:	D <small>A+ G</small>
Energy consumption per year / 24 h:	190 / 0.520 kWh
Total volume ¹ :	213 l
Noise output / Sound power level:	33 dB(A) / B, SuperSilent
Climate rating:	SN-T (from +10 °C to +43 °C)
Aperture dimensions in cm (h/w/d):	177.2 - 178.8 / 56 - 57 / at least 55.0



- Controls**
- 2.4" TFT-colour display, touch- & swipe-electronics
 - Digital temperature display
 - SmartDeviceBox included
 - Alarm in case of malfunction: visual and acoustic
 - Door alarm freezer compartment: visual and acoustic
- Freezer compartment** **4*****
- 8 drawers, of which 6 on telescopic rails, VarioSpace
 - Ice cube tray with lid
 - LED lighting
 - Storage time in the event of power cut: 9 h
 - Freezing capacity in 24 h: 12 kg
 - 2 cold storage accumulators
- Key features**
- Safety glass fittings
 - Freezer tray
 - Side-panel heating on both sides, suitable for combination with other fridges, freezers and/or wine appliances
 - Height-adjustable feet at front
 - Left hand hinge, reversible
 - Replaceable door seal

For fridge and freezer sets please see our Side-by-Side Freshness Centres on pages 32-35.
Stainless steel panel and handle available as optional accessory: No. 9902007

Freezers with NoFrost for integrated use



SIFNe 5128
Plus

Door-on-door / built-in appliance for integrated use	
Energy efficiency class:	E <small>A+ G</small>
Energy consumption per year / 24 h:	237 / 0.649 kWh
Total volume ¹ :	213 l
Noise output / Sound power level:	33 dB(A) / B, SuperSilent
Climate rating:	SN-T (from +10 °C to +43 °C)
Aperture dimensions in cm (h/w/d):	177.2 - 178.8 / 56 - 57 / at least 55.0



- Controls**
- LC monochrome display, touch electronic
 - Digital temperature display
 - SmartDeviceBox: as an optional accessory
 - Alarm in case of malfunction: visual and acoustic
 - Door alarm freezer compartment: visual and acoustic
- Freezer compartment** **4*****
- 8 drawers with integrated drawer guide, VarioSpace
 - Ice cube tray
 - Storage time in the event of power cut: 9 h
 - Freezing capacity in 24 h: 12 kg
 - Freezer tray
- Key features**
- Side-panel heating on both sides, suitable for combination with other fridges, freezers and/or wine appliances
 - Height-adjustable feet at front
 - Left hand hinge, reversible
 - Replaceable door seal

For fridge and freezer sets please see our Side-by-Side Freshness Centres on pages 32-35.
Stainless steel panel and handle available as optional accessory: No. 9902007

¹ In accordance with Regulation EU 2019/2016 we indicate the total volume to the nearest integer (rounded off) and the volume of the frozen compartments and refrigeration compartments to one place after the decimal point.

You can find the full range of efficiency classes on page 13. According to (EU) 2017/1369 6a.



Integrated drawer slides

When the freezer drawers are opened and loaded, the integrated drawer slides give you convenient access to your food at all times. The pull-out stop prevents drawers from falling out when opened. On closing, the drawers slide into their final position with ease which ensures ideal air distribution in front of the drawers and therefore the best possible cooling.



SuperSilent

Shhh – listen carefully. Your Liebherr is so quiet that you have to strain your ears to hear it. How is this achieved? All refrigeration components such as compressors, valves, fans and evaporators are optimised and perfectly adapted to one another. This means you only hear what you want to hear in your kitchen.



SIFNSe 5128
Plus

Sliding door / built-in appliance for integrated use	
Energy efficiency class:	E <small>A+ G</small>
Energy consumption per year / 24 h:	237 / 0.649 kWh
Total volume ¹ :	213 l
Noise output / Sound power level:	33 dB(A) / B, SuperSilent
Climate rating:	SN-T (from +10 °C to +43 °C)
Aperture dimensions in cm (h/w/d):	177.2 - 178.8 / 56 - 57 / at least 55.0

- No Frost
- Super Frost
- Super Silent
- Touch-Display
- Vario Space
- Smart Device ready

Controls

- LC monochrome display, touch electronic
- Digital temperature display
- SmartDeviceBox: as an optional accessory
- Alarm in case of malfunction: visual and acoustic
- Door alarm freezer compartment: visual and acoustic

Freezer compartment ********

- 8 drawers with integrated drawer guide, VarioSpace
- Ice cube tray
- Storage time in the event of power cut: 9 h
- Freezing capacity in 24 h: 12 kg
- Freezer tray

Key features

- Side-panel heating on both sides, suitable for combination with other fridges, freezers and/or wine appliances
- Height-adjustable feet at front
- Left hand hinge, reversible
- Replaceable door seal

For fridge and freezer sets please see our Side-by-Side Freshness Centres on pages 32-35.

Stainless steel panel and handle available as optional accessory: No. 9902007

¹ In accordance with Regulation EU 2019/2016 we indicate the total volume to the nearest integer (rounded off) and the volume of the frozen compartments and refrigeration compartments to one place after the decimal point.



SIFNe 5108
Pure

Door-on-door / built-in appliance for integrated use	
Energy efficiency class:	E <small>A+ G</small>
Energy consumption per year / 24 h:	237 / 0.649 kWh
Total volume ¹ :	213 l
Noise output / Sound power level:	33 dB(A) / B, SuperSilent
Climate rating:	SN-T (from +10 °C to +43 °C)
Aperture dimensions in cm (h/w/d):	177.2 - 178.8 / 56 - 57 / at least 55.0

- No Frost
- Super Frost
- Super Silent
- Touch-Display
- Vario Space
- Smart Device ready

Controls

- LC monochrome display, touch electronic
- Digital temperature display
- SmartDeviceBox: as an optional accessory
- Alarm in case of malfunction: visual and acoustic
- Door alarm freezer compartment: visual and acoustic

Freezer compartment ********

- 8 drawers with integrated drawer guide, VarioSpace
- Storage time in the event of power cut: 9 h
- Freezing capacity in 24 h: 12 kg
- Safety glass fittings

Key features

- Side-panel heating on both sides, suitable for combination with other fridges, freezers and/or wine appliances
- Height-adjustable feet at front
- Left hand hinge, reversible
- Replaceable door seal

You can find the full range of efficiency classes on page 13. According to (EU) 2017/1369 6a.



SIFNdi 4556
Prime

Door-on-door / built-in appliance for integrated use	
Energy efficiency class:	D <small>A+ G</small>
Energy consumption per year / 24 h:	173 / 0.474 kWh
Total volume ¹ :	156 l
Noise output / Sound power level:	34 dB(A) / B, SuperSilent
Climate rating:	SN-T (from +10 °C to +43 °C)
Aperture dimensions in cm (h/w/d):	139.7 - 141.3 / 56 - 57 / at least 55.0

- No Frost
- Super Frost
- LED
- Soft System
- Super Silent
- Touch & Swipe-Display
- Vario Space
- Smart Device

Controls

- 2.4" TFT-colour display, touch- & swipe-electronics
- Digital temperature display
- SmartDeviceBox included
- Alarm in case of malfunction: visual and acoustic
- Door alarm freezer compartment: visual and acoustic

Freezer compartment ********

- 6 drawers with integrated drawer guide, VarioSpace
- Ice cube tray with lid
- LED lighting
- Storage time in the event of power cut: 10 h
- Freezing capacity in 24 h: 12 kg
- 2 cold storage accumulators
- Safety glass fittings
- Freezer tray

Key features

- Side-panel heating on both sides, suitable for combination with other fridges, freezers and/or wine appliances
- Height-adjustable feet at front
- Left hand hinge, reversible
- Replaceable door seal



SIFNdi 4155
Prime

Door-on-door / built-in appliance for integrated use	
Energy efficiency class:	D
Energy consumption per year / 24 h:	165 / 0.452 kWh
Total volume ¹ :	129 l
Noise output / Sound power level:	34 dB(A) / B, SuperSilent
Climate rating:	SN-T (from +10 °C to +43 °C)
Aperture dimensions in cm (h/w/d):	121.6 - 122.6 / 56 - 57 / at least 55.0



Controls

- 2.4" TFT-colour display, touch- & swipe-electronics
- Digital temperature display
- SmartDeviceBox included
- Alarm in case of malfunction: visual and acoustic
- Door alarm freezer compartment: visual and acoustic

Freezer compartment **4******

- 5 drawers with integrated drawer guide, VarioSpace
- Ice cube tray with lid
- LED lighting
- Storage time in the event of power cut: 9 h
- Freezing capacity in 24 h: 12 kg
- 2 cold storage accumulators
- Safety glass fittings

Key features

- Side-panel heating and ceiling heating, suitable for combination with other fridges, freezers and/or wine appliances
- Height-adjustable feet at front
- Left hand hinge, reversible
- Replaceable door seal

¹ In accordance with Regulation EU 2019/2016 we indicate the total volume to the nearest integer (rounded off) and the volume of the frozen compartments and refrigeration compartments to one place after the decimal point.



SIFNci 3954
Prime

Door-on-door / built-in appliance for integrated use	
Energy efficiency class:	C
Energy consumption per year / 24 h:	122 / 0.334 kWh
Total volume ¹ :	87 l
Noise output / Sound power level:	33 dB(A) / B, SuperSilent
Climate rating:	SN-T (from +10 °C to +43 °C)
Aperture dimensions in cm (h/w/d):	87.4 - 89 / 56 - 57 / at least 55.0



Controls

- 2.4" TFT-colour display, touch- & swipe-electronics
- Digital temperature display
- SmartDeviceBox included
- Alarm in case of malfunction: visual and acoustic
- Door alarm freezer compartment: visual and acoustic

Freezer compartment **4******

- 4 drawers, VarioSpace
- Ice cube tray with lid
- LED lighting
- Storage time in the event of power cut: 10 h
- Freezing capacity in 24 h: 10 kg
- 2 cold storage accumulators
- Safety glass fittings

Key features

- Side-panel heating and ceiling heating, suitable for combination with other fridges, freezers and/or wine appliances
- Height-adjustable feet at front
- Reversible door hinging
- Replaceable door seal



IFNci 3954
Prime

Door-on-door / built-in appliance for integrated use	
Energy efficiency class:	C
Energy consumption per year / 24 h:	122 / 0.334 kWh
Total volume ¹ :	87 l
Noise output / Sound power level:	33 dB(A) / B, SuperSilent
Climate rating:	SN-T (from +10 °C to +43 °C)
Aperture dimensions in cm (h/w/d):	87.4 - 89 / 56 - 57 / at least 55.0



Controls

- 2.4" TFT-colour display, touch- & swipe-electronics
- Digital temperature display
- SmartDeviceBox included
- Alarm in case of malfunction: visual and acoustic
- Door alarm freezer compartment: visual and acoustic

Freezer compartment **4******

- 4 drawers, VarioSpace
- Ice cube tray with lid
- LED lighting
- Storage time in the event of power cut: 10 h
- Freezing capacity in 24 h: 10 kg
- 2 cold storage accumulators
- Safety glass fittings

Key features

- Ceiling heating for Side-by-Side concept
- Height-adjustable feet at front
- Reversible door hinging
- Replaceable door seal

You can find the full range of efficiency classes on page 13. According to (EU) 2017/1369 6a.



IFNd 3924
Plus

Door-on-door / built-in appliance for integrated use	
Energy efficiency class:	D
Energy consumption per year / 24 h:	153 / 0.419 kWh
Total volume ¹ :	87 l
Noise output / Sound power level:	34 dB(A) / B, SuperSilent
Climate rating:	SN-T (from +10 °C to +43 °C)
Aperture dimensions in cm (h/w/d):	87.4 - 89 / 56 - 57 / at least 55.0



Controls

- LC monochrome display, touch electronic
- Digital temperature display
- SmartDeviceBox: as an optional accessory
- Alarm in case of malfunction: visual and acoustic
- Door alarm freezer compartment: visual and acoustic

Freezer compartment **4******

- 4 drawers, VarioSpace
- Ice cube tray
- Storage time in the event of power cut: 10 h
- Freezing capacity in 24 h: 10 kg
- Safety glass fittings

Key features

- Ceiling heating for Side-by-Side concept
- Height-adjustable feet at front
- Reversible door hinging
- Replaceable door seal



IFd 3904
Pure

Door-on-door / built-in appliance for integrated use	
Energy efficiency class:	D
Energy consumption per year / 24 h:	143 / 0.391 kWh
Total volume ¹ :	101 l
Noise output / Sound power level:	33 dB(A) / B, SuperSilent
Climate rating:	SN-ST (from +10 °C to +38 °C)
Aperture dimensions in cm (h/w/d):	87.4 - 89 / 56 - 57 / at least 55.0



Controls

- LC monochrome display, touch electronic
- Digital temperature display
- SmartDeviceBox: as an optional accessory
- Alarm in case of malfunction: visual and acoustic
- Door alarm freezer compartment: visual and acoustic

Freezer compartment **4******

- 4 drawers, VarioSpace
- Storage time in the event of power cut: 10 h
- Freezing capacity in 24 h: 8 kg
- Safety glass fittings

Key features

- Ceiling heating for Side-by-Side concept
- Height-adjustable feet at front
- Reversible door hinging
- Replaceable door seal



IFSd 3904
Pure

Sliding door / built-in appliance for integrated use	
Energy efficiency class:	D
Energy consumption per year / 24 h:	143 / 0.391 kWh
Total volume ¹ :	101 l
Noise output / Sound power level:	33 dB(A) / B, SuperSilent
Climate rating:	SN-ST (from +10 °C to +38 °C)
Aperture dimensions in cm (h/w/d):	87.4 - 89 / 56 - 57 / at least 55.0



Controls

- LC monochrome display, touch electronic
- Digital temperature display
- SmartDeviceBox: as an optional accessory
- Alarm in case of malfunction: visual and acoustic
- Door alarm freezer compartment: visual and acoustic

Freezer compartment **4******

- 4 drawers, VarioSpace
- Storage time in the event of power cut: 10 h
- Freezing capacity in 24 h: 8 kg
- Safety glass fittings

Key features

- Ceiling heating for Side-by-Side concept
- Height-adjustable feet at front
- Reversible door hinging
- Replaceable door seal



IFNbi 3553
Prime

Door-on-door / built-in appliance for integrated use	
Energy efficiency class:	B
Energy consumption per year / 24 h:	94 / 0.257 kWh
Total volume ¹ :	65 l
Noise output / Sound power level:	33 dB(A) / B, SuperSilent
Climate rating:	SN-T (from +10 °C to +43 °C)
Aperture dimensions in cm (h/w/d):	71.4 - 73 / 56 - 57 / at least 55.0



Controls

- 2.4" TFT-colour display, touch- & swipe-electronics
- Digital temperature display
- SmartDeviceBox included
- Alarm in case of malfunction: visual and acoustic
- Door alarm freezer compartment: visual and acoustic

Freezer compartment **3******

- 3 drawers, VarioSpace
- Ice cube tray with lid
- LED lighting
- Storage time in the event of power cut: 10 h
- Freezing capacity in 24 h: 8 kg
- 2 cold storage accumulators
- Safety glass fittings
- Freezer tray

Key features

- Ceiling heating for Side-by-Side concept
- Height-adjustable feet at front
- Reversible door hinging
- Replaceable door seal



IFNd 3503
Pure

Door-on-door / built-in appliance for integrated use	
Energy efficiency class:	D
Energy consumption per year / 24 h:	148 / 0.405 kWh
Total volume ¹ :	65 l
Noise output / Sound power level:	34 dB(A) / B, SuperSilent
Climate rating:	SN-T (from +10 °C to +43 °C)
Aperture dimensions in cm (h/w/d):	71.4 - 73 / 56 - 57 / at least 55.0



Controls

- LC monochrome display, touch electronic
- Digital temperature display
- SmartDeviceBox: as an optional accessory
- Alarm in case of malfunction: visual and acoustic
- Door alarm freezer compartment: visual and acoustic

Freezer compartment **3******

- 3 drawers, VarioSpace
- Storage time in the event of power cut: 10 h
- Freezing capacity in 24 h: 8 kg
- Safety glass fittings

Key features

- Ceiling heating for Side-by-Side concept
- Height-adjustable feet at front
- Reversible door hinging
- Replaceable door seal

Under-worktop



SUIGN 1554 Premium

UIKP 1550 Premium

Unique features



BioFresh

BioFresh provides the perfect climate for long-lasting food storage. When stored at just over 0 °C and at the ideal humidity level, fruit, vegetables, meat and fish all retain their nutritious vitamins for longer.



Pull-out glass shelves

Food is stored safely and easily accessible on the fully extendible pull-out glass shelves (UIKo 1550 / 1560). The glass pull-out shelves made of safety glass are sturdy and easy to clean as well as being adjustable using practical rail dividers.



LiftUp Box

The LiftUp Box allows you to fully utilise the storage space below the pull-out drawer. It is ergonomically attached, easy to take out and can hold up to 4 kg. When pulled out, the LiftUp Box pushes up out of the base recess, allowing the food to be removed easily.



Bottle basket

Do your family and party guests love cold drinks? Often the inside door of the refrigerator isn't enough for bottle cooling. However, your Liebherr will be happy to help. There's plenty of room in the bottle baskets for bottles and Tetrapaks – or even a whole crate of beer. The shelves of the baskets rest on telescopic rails and slide out gently for easy removal.



Deep shelves

A lot of goods can be stored on the deep shelves, reducing the need to bend down when storing and removing items (UIKP 1550 and UIKP 1554). The items are delivered to the customer. This is a great ergonomic advantage, especially for under-worktop appliances that are installed below the table edge.



SoftSystem

The stylish SoftSystem mechanism is integrated into the door and matches the colour of the interior door; it conveniently cushions movement to ensure extremely soft closure even when the door shelves are fully stocked. The door closes automatically from an opening angle of about 30°.



Under-worktop, full-space BioFresh refrigerator for integrated use



SUIB 1550 Premium

Door-on-door / under-worktop appliance for integrated use

Energy efficiency class:	A
Energy consumption per year / 24 h:	63 / 0.172 kWh
Total volume ¹ :	79 l
Noise output / Sound power level:	35 dB(A) / B, SuperSilent
Climate rating:	SN-T (from +10 °C to +43 °C)
Aperture dimensions in cm (h/w/d):	82 - 88 / 60 / at least 55.0



Controls

- MagicEye with LCD, digital temperature display, key electronics
- Door alarm fridge compartment: visual and acoustic

BioFresh compartment

- 2 GlassLine shelves
- 3 BioFresh safes, 1 FlexSystem
- Cabinet can be adjusted from HydroSafe to DrySafe
- Removable tray (4 litres in the base recess)

Key features

- Side-panel heating on both sides, suitable for combination with other fridges, freezers and/or wine appliances
- Height-adjustable feet at front and rear
- Reversible door hinging

¹ In accordance with Regulation EU 2019/2016 we indicate the total volume to the nearest integer (rounded off) and the volume of the frozen compartments and refrigeration compartments to one place after the decimal point.

Under-worktop refrigerators for integrated use



UIK 1514 Comfort

Door-on-door / under-worktop appliance for integrated use

Energy efficiency class:	E
Energy consumption per year / 24 h:	145 / 0.397 kWh
Total volume ¹ :	119 l
Volume:	Fridge: 104.8 l / Freezer compartment: 15 l
Noise output / Sound power level:	35 dB(A) / B, SuperSilent
Climate rating:	SN-ST (from +10 °C to +38 °C)
Aperture dimensions in cm (h/w/d):	82 - 88 / 60 / at least 55.0



Controls

- MagicEye with LCD, digital temperature display, key electronics
- Door alarm fridge compartment: visual and acoustic

Fridge compartment

- Comfort GlassLine shelving with bottle carrier, adjustable egg tray
- 3 GlassLine shelves
- LED lighting
- 1 large fruit/vegetable compartment

Freezer compartment **4******

- 4-star compartment
- Storage time in the event of power cut: 10 h
- Freezing capacity in 24 h: 3 kg

Key features

- Height-adjustable feet at front and rear
- Reversible door hinging

You can find the full range of efficiency classes on page 13. According to (EU) 2017/1369 6a.



UIK 1510 Comfort

Door-on-door / under-worktop appliance for integrated use

Energy efficiency class:	E
Energy consumption per year / 24 h:	94 / 0.257 kWh
Total volume ¹ :	136 l
Noise output / Sound power level:	35 dB(A) / B, SuperSilent
Climate rating:	SN-ST (from +10 °C to +38 °C)
Aperture dimensions in cm (h/w/d):	82 - 88 / 60 / at least 55.0



Controls

- MagicEye with LCD, digital temperature display, key electronics
- Door alarm fridge compartment: visual and acoustic

Fridge compartment

- Comfort GlassLine shelving with bottle carrier, adjustable egg tray
- 4 GlassLine shelves
- LED ceiling lighting
- 1 large fruit/vegetable compartment

Key features

- Height-adjustable feet at front and rear
- Reversible door hinging



Tray inserted into the base

The tray inserted into the base recess enables the optimal use of the lower space in the appliance. It can be easily removed and with a capacity of approx. 4 litres offers sufficient space for smaller goods.



UIKP 1554 Premium



Deep shelves

A lot of goods can be stored on the deep shelves, reducing the need to bend down when storing and removing items. The items are delivered to the customer. This is a great ergonomic advantage, especially for under-worktop appliances that are installed below the table edge.



VarioBase

The VarioBase permits the adjustment of kitchen units in height and depth. All four height-adjustable feet permit adjustment from the front with a 60 mm range. In addition, the ventilation grille can be adjusted within a range of 55 mm to match the front of the kitchen units.

Under-worktop refrigerators for integrated use



82-88

UIKP 1554 Premium

Door-on-door / under-worktop appliance for integrated use

Energy efficiency class:	D <small>A B C D E F G</small>
Energy consumption per year / 24 h:	116 / 0.317 kWh
Total volume ¹ :	119 l
Volume:	Fridge: 104.8 l / Freezer compartment: 15 l
Noise output / Sound power level:	33 dB(A) / B, SuperSilent
Climate rating:	SN-ST (from +10 °C to +38 °C)
Aperture dimensions in cm (h/w/d):	82 - 88 / 60 / at least 55.0



Controls

- MagicEye with LCD, digital temperature display, key electronics
- Door alarm fridge compartment: visual and acoustic

Fridge compartment

- Premium GlassLine shelving with bottle holder, removable VarioBoxes, adjustable egg tray, butter dish
- 2 GlassLine shelves
- LED lighting
- 1 large fruit/vegetable compartment
- Drawer box

Freezer compartment ********

- 4-star compartment
- Ice cube tray
- Storage time in the event of power cut: 7 h
- Freezing capacity in 24 h: 6 kg

Key features

- Height-adjustable feet at front and rear
- Reversible door hinging



82-88

UIKP 1550 Premium

Door-on-door / under-worktop appliance for integrated use

Energy efficiency class:	D <small>A B C D E F G</small>
Energy consumption per year / 24 h:	75 / 0.205 kWh
Total volume ¹ :	136 l
Noise output / Sound power level:	34 dB(A) / B, SuperSilent
Climate rating:	SN-ST (from +10 °C to +38 °C)
Aperture dimensions in cm (h/w/d):	82 - 88 / 60 / at least 55.0



Controls

- MagicEye with LCD, digital temperature display, key electronics
- Door alarm fridge compartment: visual and acoustic

Fridge compartment

- Premium GlassLine shelving with bottle holder, removable VarioBox, adjustable egg tray, butter dish
- 3 GlassLine shelves
- LED ceiling lighting
- 1 large fruit/vegetable compartment
- Drawer box

Key features

- Height-adjustable feet at front and rear
- Reversible door hinging

¹ In accordance with Regulation EU 2019/2016 we indicate the total volume to the nearest integer (rounded off) and the volume of the frozen compartments and refrigeration compartments to one place after the decimal point. You can find the full range of efficiency classes on page 13. According to (EU) 2017/1369 6a.



UIKo 1560 Premium



UIKo 1560
Premium

Door-on-door / under-worktop appliance for integrated use

Energy efficiency class:	E <small>A G</small>
Energy consumption per year / 24 h:	93 / 0.254 kWh
Total volume ¹ :	132 l
Noise output / Sound power level:	35 dB(A) / B, SuperSilent
Climate rating:	SN-ST (from +10 °C to +38 °C)
Aperture dimensions in cm (h/w/d):	82 - 88 / 60 / at least 55.0



UIKo 1550
Premium

Door-on-door / under-worktop appliance for integrated use

Energy efficiency class:	E <small>A G</small>
Energy consumption per year / 24 h:	93 / 0.254 kWh
Total volume ¹ :	132 l
Noise output / Sound power level:	35 dB(A) / B, SuperSilent
Climate rating:	SN-ST (from +10 °C to +38 °C)
Aperture dimensions in cm (h/w/d):	82 - 88 / 60 / at least 55.0



LiftUp Box

The LiftUp Box allows you to fully utilise the storage space below the pull-out drawer. It is ergonomically attached, easy to take out and can hold up to 4 kg. When pulled out, the LiftUp Box pushes up out of the base recess, allowing the food to be removed easily.



Pull-out glass shelves

Food is stored safely and easily accessible on the fully extendible pull-out glass shelves. The glass pull-out shelves made of safety glass are sturdy and easy to clean as well as being adjustable using practical rail dividers.

Controls

- MagicEye with LCD, digital temperature display, key electronics
- Door alarm fridge compartment: visual and acoustic

Fridge compartment

- Butter dish
- 2 Premium GlassLine shelving, removable, with adjustable egg tray
- Bottle compartment, integrated in the lowest drawer
- LED ceiling lighting
- 1 large fruit/vegetable compartment
- LiftUp-Box

Key features

- Height-adjustable feet at front and rear
- Pull-out drawer, fully extendible

Controls

- MagicEye with LCD, digital temperature display, key electronics
- Door alarm fridge compartment: visual and acoustic

Fridge compartment

- Butter dish
- 2 Premium GlassLine shelving, removable, with adjustable egg tray
- Bottle compartment, integrated in the lowest drawer
- LED ceiling lighting
- 1 large fruit/vegetable compartment

Key features

- Height-adjustable feet at front and rear
- Pull-out drawer, fully extendible



SUIG 1514 Comfort



SuperSilent

Shhh – listen carefully. Your Liebherr is so quiet that you have to strain your ears to hear it. How is this achieved? All refrigeration components such as compressors, valves, fans and evaporators are optimised and perfectly adapted to one another. This means you only hear what you want to hear in your kitchen.



VarioSpace

Want to store a multi-layer ice cream cake safely until the summer party? No problem for your Liebherr freezer: Sometimes you just need more space and it's prepared for just that. With VarioSpace you can remove individual freezer drawers and the horizontal glass dividers below them, and hey presto, you have an extra large storage space.



Side
by
Side
82-88

SUIGN 1554 Premium

Door-on-door / under-worktop appliance for integrated use

Energy efficiency class:	D <small>A G</small>
Energy consumption per year / 24 h:	152 / 0.416 kWh
Total volume ¹ :	79 l
Volume:	Freezer compartment: 80 l
Noise output / Sound power level:	35 dB(A) / B, SuperSilent
Climate rating:	SN-T (from +10 °C to +43 °C)
Aperture dimensions in cm (h/w/d):	82 - 88 / 60 / at least 55.0

- No Frost
- Super Frost
- Soft System
- Super Silent
- Vario Space

Controls

- MagicEye with LCD, digital temperature display, key electronics
- MagicEye with LCD, digital temperature display
- FrostControl
- Alarm in case of malfunction: visual and acoustic
- Door alarm freezer compartment: visual and acoustic

Freezer compartment *******

- 3 drawers, VarioSpace
- Ice cube tray with lid
- Storage time in the event of power cut: 9 h
- Freezing capacity in 24 h: 8 kg
- 2 cold storage accumulators
- Safety glass fittings
- Removable tray (4 litres in the base recess)

Key features

- Side-panel heating on both sides, suitable for combination with other fridges, freezers and/or wine appliances
- Height-adjustable feet at front and rear
- Reversible door hinging



Side
by
Side
82-88

SUIG 1514 Comfort

Door-on-door / under-worktop appliance for integrated use

Energy efficiency class:	D <small>A G</small>
Energy consumption per year / 24 h:	141 / 0.386 kWh
Total volume ¹ :	95 l
Volume:	Freezer compartment: 95 l
Noise output / Sound power level:	35 dB(A) / B, SuperSilent
Climate rating:	SN-ST (from +10 °C to +43 °C)
Aperture dimensions in cm (h/w/d):	82 - 88 / 60 / at least 55.0

- Smart Frost
- Super Frost
- Super Silent
- Vario Space

Controls

- MagicEye with LCD, digital temperature display, key electronics
- MagicEye with LCD, digital temperature display
- Alarm in case of malfunction: visual and acoustic
- Door alarm freezer compartment: visual and acoustic

Freezer compartment ********

- 3 drawers, VarioSpace
- Storage time in the event of power cut: 10 h
- Freezing capacity in 24 h: 7 kg
- Safety glass fittings

Key features

- Side-panel heating on both sides, suitable for combination with other fridges, freezers and/or wine appliances
- Height-adjustable feet at front and rear
- Reversible door hinging

¹ In accordance with Regulation EU 2019/2016 we indicate the total volume to the nearest integer (rounded off) and the volume of the frozen compartments and refrigeration compartments to one place after the decimal point. You can find the full range of efficiency classes on page 13. According to (EU) 2017/1369 6a.

Wine fridges



Side
by
Side

Create your own freshness centre with our side by side fridges, freezers and wine cabinets in various recesses. For more information about the Side-by-Side concept see pages 30-33.

IRBPbsci Δ Peak series

EWTgb 3583 Vinidor

SIFNbsdi 5188 Δ Peak series

An overview of our Wine fridges

2 temperature zones

+5 °C to +20 °C

+5 °C to +20 °C



The **Vinidor range** offers maximum flexibility with two separately controlled temperature zones. The temperature of these can be set independently between +5 °C and +20 °C. This means that red and white wines can be stored at their ideal serving temperatures in the same fridge. These fridges not only provide the ideal climate conditions for long-term storage of wine, but with differently sized zones and fully adjustable temperature controls, they are suitable for every wine collection.

1 temperature zone

+20 °C

+5 °C

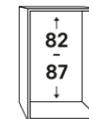
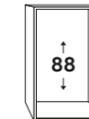
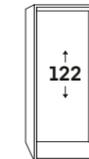
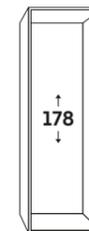


The **GrandCru range** storage fridges offer similar conditions to a wine cellar. This range facilitates the storage of red and white wines at the correct long term storage temperatures or individual serving temperatures. The temperature can be adjusted from +5 °C to +20 °C as appropriate, and is both even and constant throughout the entire appliance interior.

Overview of product range according to niche and series

Vinidor 2 temperature zones

GrandCru 1 temperature zone



Dimensions in cm

	EWTgb 3583	EWTgb 2383	EWTgb 1683		WKEgb 582
Wine storage fridge	EWTgw 3583	EWTgw 2383	EWTgw 1683		WKEes 553
	EWTdf 3553	EWTdf 2353	EWTdf 1653		
				UWTgb 1682	
Under-worktop Wine fridges				UWTes 1672	
				UWKes 1752	
Under-worktop Beverage centre					UKes 1752

Dimensions in cm

Under-worktop Outdoor cooler



OKes 1750

Quality down to the finest detail



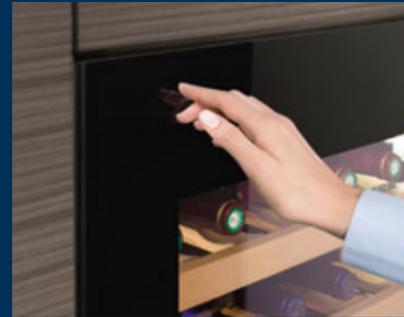
Stainless steel frame

The high-quality, easy-to-fit stainless steel frame and handle enables all EWTdf models to be elegantly integrated into any kitchen. The robust stainless steel handle makes opening the door effortless. Available as an optional accessory kit for EWTdf 3553 (9901573-00), EWTdf 2353 (9901575-00), EWdf 1653 (9901577-00)



SuperSilent

You've probably never heard of this Liebherr – simply because it is quieter than almost any other refrigerator. Its extra-low-noise design means it has virtually “unheard of” levels of quietness. Thanks to its maximum levels of noiselessness, it sets new standards even compared to the quietest refrigerators.



TipOpen

The handle-free glazed door guarantees perfect integration into a handle-free kitchen. Not only provides UV protection you can trust but also ensures superb visibility of the stored wines. The TipOpen technology opens the glazed door 7 cm when tapped and, if the door is not opened further within three seconds, the soft-closing system will shut it again.



Presentation shelf

The presentation shelf is ideal for keeping open bottles at the perfect temperature and without the risk of spills.



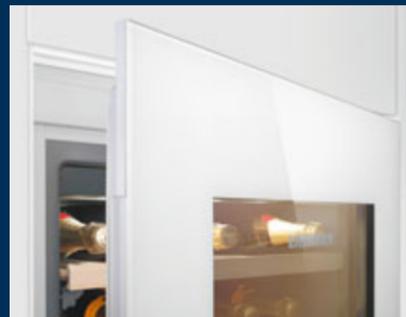
FreshAir activated

The integrated FreshAir activated charcoal filter purifies the internal air and traps unpleasant odours. It is easy to replace and guarantees optimum air quality.



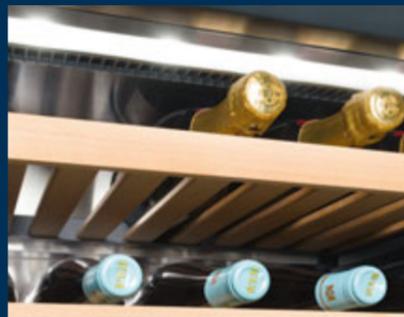
BlackSteel interior

Refine your dark kitchen with our BlackSteel interior appliances. The rear wall and inner door impress with surfaces made of black stainless steel. The anti-fingerprint finish makes this resistant to fingerprints. All trims are accentuated in BlackSteel to complete a dark appearance. A Liebherr with BlackSteel interior perfectly fits into modern dark kitchens and stands out with elegance.



Tinted isolation glass door

The handle-free glazed door guarantees perfect integration into a handle-free kitchen. Not only provides UV protection you can trust but also ensures superb visibility of the stored wines.



LED lighting

All wine fridges feature dimmable LED lighting, which evenly illuminates the interior and can be left on permanently if desired. Because LEDs generate minimal heat, wines can be sympathetically illuminated and beautifully presented for an extended period of time.



SoftSystem

The SoftSystem feature provides added safety and convenience. Integrated within the door, the SoftSystem cushions movement when the door is closed. This SoftSystem ensures that the door closes gently even when fully loaded inside. The door automatically closes from an angle of approximately 30°.



Telescopic rails

The Vinidor appliances are equipped with solid wooden shelves mounted on telescopic rails. The handcrafted shelves made from untreated wood are ideal for storing Bordeaux bottles safely, providing a clear view and easy access.



Clip-on labelling

The clip-on labelling system provides a quick and clear overview of your wine store.



Accessories drawer

The easy-glide accessories drawer can be used to store accessories directly below wine storage fridges in the WKE 5 model range. This increases the 45 cm recess to a 60 cm one. Available in black glass (9901085-00).

Dual zone wine fridges for integrated use



↑
178
↓

EWTgb 3583
Vinidor

Flush-fitted insulated glass door / built-in appliance for integrated use

Energy efficiency class:	G
Energy consumption per year / 24 h:	165 / 0.452 kWh
Max. Bordeaux bottles 0.75 l:	83
Total volume ¹ :	276 l
Noise output / Sound power level:	32 dB(A) / B, SuperSilent
Climate rating:	SN (from +10 °C to +32 °C)
Door:	Black insulated glass door, handle and frame-free
Aperture dimensions in cm (h/w/d):	177.2-178 / 56-57 / at least 55.0

2 Zones	Humidity Select	Fresh Air	UV Protect	Vibrate Safe	Steel Interior	LED	Soft System	Telescopic Rails
Tip Open	Super Silent	Presentation Board						

Controls

- LC display with digital temperature indicator, Touch electronics
- Digital temperature display for both wine zones
- Alarm in case of malfunction: visual and acoustic
- Audible door alarm
- Child lock function

Wine compartment

- 2 temperature zones, can be regulated between +5 °C to +20 °C
- 2 adjustable refrigeration circuits
- Convection cooling, FreshAir active carbon filter
- Humidity regulation via controllable ventilation
- LED Interior lighting with on/off function, dimmable
- Beechwood shelves
- 10 Shelves, of which 8 on telescopic rails, of which 1 is a presentation shelf

Key features

- TipOpen
- Height-adjustable feet at front
- Reversible door hinging
- Replaceable door seal
- Concealed hinge with restricted opening



↑
178
↓

EWTgw 3583
Vinidor

Flush-fitted insulated glass door / built-in appliance for integrated use

Energy efficiency class:	G
Energy consumption per year / 24 h:	165 / 0.452 kWh
Max. Bordeaux bottles 0.75 l:	83
Total volume ¹ :	276 l
Noise output / Sound power level:	32 dB(A) / B, SuperSilent
Climate rating:	SN (from +10 °C to +32 °C)
Door:	White insulated glass door, handle and frame-free
Aperture dimensions in cm (h/w/d):	177.2-178 / 56-57 / at least 55.0

2 Zones	Humidity Select	Fresh Air	UV Protect	Vibrate Safe	Steel Interior	LED	Soft System	Telescopic Rails
Tip Open	Super Silent	Presentation Board						

Controls

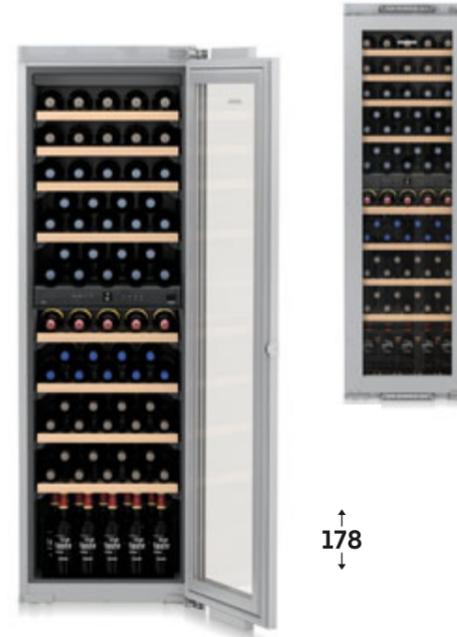
- LC display with digital temperature indicator, Touch electronics
- Digital temperature display for both wine zones
- Alarm in case of malfunction: visual and acoustic
- Audible door alarm
- Child lock function

Wine compartment

- 2 temperature zones, can be regulated between +5 °C to +20 °C
- 2 adjustable refrigeration circuits
- Convection cooling, FreshAir active carbon filter
- Humidity regulation via controllable ventilation
- LED Interior lighting with on/off function, dimmable
- Beechwood shelves
- 10 Shelves, of which 8 on telescopic rails, of which 1 is a presentation shelf

Key features

- TipOpen
- Height-adjustable feet at front
- Reversible door hinging
- Replaceable door seal
- Concealed hinge with restricted opening



↑
178
↓

EWTdf 3553
Vinidor

Door-on-door / built-in appliance with décor panel

Energy efficiency class:	G
Energy consumption per year / 24 h:	162 / 0.443 kWh
Max. Bordeaux bottles 0.75 l:	80
Total volume ¹ :	259 l
Noise output / Sound power level:	32 dB(A) / B, SuperSilent
Climate rating:	SN-ST (from +10 °C to +38 °C)
Door:	Silver / Insulated glass door prepared for fridge door
Aperture dimensions in cm (h/w/d):	177.2-178 / 56-57 / at least 55.0

2 Zones	Humidity Select	Fresh Air	UV Protect	Vibrate Safe	Steel Interior	LED	Soft System	Telescopic Rails
Super Silent	Presentation Board							

Controls

- LC display with digital temperature indicator, Touch electronics
- Digital temperature display for both wine zones
- Alarm in case of malfunction: visual and acoustic
- Audible door alarm
- Child lock function

Wine compartment

- 2 temperature zones, can be regulated between +5 °C to +20 °C
- 2 adjustable refrigeration circuits
- Convection cooling, FreshAir active carbon filter
- Humidity regulation via controllable ventilation
- LED Interior lighting with on/off function, dimmable
- Beechwood shelves
- 10 Shelves, of which 8 on telescopic rails, of which 1 is a presentation shelf

Key features

- Height-adjustable feet at front
- Reversible door hinging
- Replaceable door seal
- Concealed hinge with restricted opening

Stainless steel frame and handle available as optional accessory (9901573-00)

¹ In accordance with Regulation EU 2019/2016 we indicate the total volume to the nearest integer (rounded off) and the volume of the frozen compartments and refrigeration compartments to one place after the decimal point.

You can find the full range of efficiency classes on page 13. According to (EU) 2017/1369 6a.

Dual zone wine fridges for integrated use



SuperSilent

You've probably never heard of this Liebherr – simply because it is quieter than almost any other refrigerator. Its extra-low-noise design means it has virtually “unheard of” levels of quietness. Thanks to its maximum levels of noiselessness, it sets new standards even compared to the quietest refrigerators.



BlackSteel interior

Refine your dark kitchen with our BlackSteel interior appliances. The rear wall and inner door impress with surfaces made of black stainless steel. The anti-fingerprint finish makes this resistant to fingerprints. All trims are accentuated in BlackSteel to complete a dark appearance. A Liebherr with BlackSteel interior perfectly fits into modern dark kitchens and stands out with elegance.



↑
122
↓

EWTgb 2383
Vinidor

Flush-fitted insulated glass door / built-in appliance for integrated use

Energy efficiency class:	G
Energy consumption per year / 24 h:	153 / 0.419 kWh
Max. Bordeaux bottles 0.75 l:	51
Total volume ¹ :	171 l
Noise output / Sound power level:	31 dB(A) / B, SuperSilent
Climate rating:	SN (from +10 °C to +32 °C)
Door:	Black insulated glass door, handle and frame-free
Aperture dimensions in cm (h/w/d):	122-123.6 / 56-57 / at least 55.0

2 Zones	Humidity Select	Fresh Air	UV Protect	Vibrate Safe	Steel Interior	LED	Soft System	Telescopic Rails
Tip Open	Super Silent	Presentation Board						

Controls

- LC display with digital temperature indicator, Touch electronics
- Digital temperature display for both wine zones
- Alarm in case of malfunction: visual and acoustic
- Audible door alarm
- Child lock function

Wine compartment

- 2 temperature zones, can be regulated between +5 °C to +20 °C
- 2 adjustable refrigeration circuits
- Convection cooling, FreshAir active carbon filter
- Humidity regulation via controllable ventilation
- LED lighting with on/off function, dimmable
- Beechwood shelves
- 6 Shelves, of which 4 on telescopic rails, of which 1 is a presentation shelf

Key features

- TipOpen
- Height-adjustable feet at front
- Reversible door hinging
- Replaceable door seal
- Concealed hinge with restricted opening



↑
122
↓

EWTgw 2383
Vinidor

Flush-fitted insulated glass door / built-in appliance for integrated use

Energy efficiency class:	G
Energy consumption per year / 24 h:	153 / 0.419 kWh
Max. Bordeaux bottles 0.75 l:	51
Total volume ¹ :	171 l
Noise output / Sound power level:	32 dB(A) / B, SuperSilent
Climate rating:	SN (from +10 °C to +32 °C)
Door:	White insulated glass door, handle and frame-free
Aperture dimensions in cm (h/w/d):	122-123.6 / 56-57 / at least 55.0

2 Zones	Humidity Select	Fresh Air	UV Protect	Vibrate Safe	Steel Interior	LED	Soft System	Telescopic Rails
Tip Open	Super Silent	Presentation Board						

Controls

- LC display with digital temperature indicator, Touch electronics
- Digital temperature display for both wine zones
- Alarm in case of malfunction: visual and acoustic
- Audible door alarm
- Child lock function

Wine compartment

- 2 temperature zones, can be regulated between +5 °C to +20 °C
- 2 adjustable refrigeration circuits
- Convection cooling, FreshAir active carbon filter
- Humidity regulation via controllable ventilation
- LED Interior lighting with on/off function, dimmable
- Beechwood shelves
- 6 Shelves, of which 4 on telescopic rails, of which 1 is a presentation shelf

Key features

- TipOpen
- Height-adjustable feet at front
- Reversible door hinging
- Replaceable door seal
- Concealed hinge with restricted opening



↑
122
↓

EWTdf 2353
Vinidor

Door-on-door / built-in appliance with décor panel

Energy efficiency class:	G
Energy consumption per year / 24 h:	151 / 0.413 kWh
Max. Bordeaux bottles 0.75 l:	48
Total volume ¹ :	159 l
Noise output / Sound power level:	32 dB(A) / B, SuperSilent
Climate rating:	SN-ST (from +10 °C to +38 °C)
Door:	Silver / Insulated glass door prepared for fridge door
Aperture dimensions in cm (h/w/d):	122-123.6 / 56-57 / at least 55.0

2 Zones	Humidity Select	Fresh Air	UV Protect	Vibrate Safe	Steel Interior	LED	Soft System	Telescopic Rails
Super Silent	Presentation Board							

Controls

- LC display with digital temperature indicator, Touch electronics
- Digital temperature display for both wine zones
- Alarm in case of malfunction: visual and acoustic
- Audible door alarm
- Child lock function

Wine compartment

- 2 temperature zones, can be regulated between +5 °C to +20 °C
- 2 adjustable refrigeration circuits
- Convection cooling, FreshAir active carbon filter
- Humidity regulation via controllable ventilation
- LED Interior lighting with on/off function, dimmable
- Beechwood shelves
- 6 Shelves, of which 4 on telescopic rails, of which 1 is a presentation shelf

Key features

- Height-adjustable feet at front
- Reversible door hinging
- Replaceable door seal
- Concealed hinge with restricted opening

Stainless steel frame and handle available as optional accessory (9901575-00)

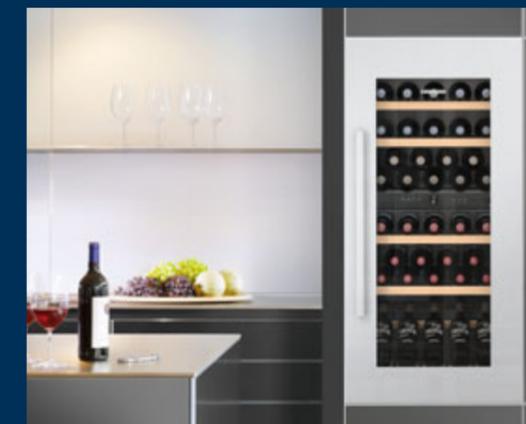
¹ In accordance with Regulation EU 2019/2016 we indicate the total volume to the nearest integer (rounded off) and the volume of the frozen compartments and refrigeration compartments to one place after the decimal point.

You can find the full range of efficiency classes on page 13. According to (EU) 2017/1369 6a.



Presentation shelf

The presentation shelf is ideal for keeping open bottles at the perfect temperature and without the risk of spills.



Stainless steel frame and handle

The high-quality, easy-to-fit stainless steel frame and handle enables all EWTdf models to be elegantly integrated into any kitchen. The robust stainless steel handle makes opening the door effortless.

Available as an optional accessory kit for EWTdf 3553 (9901573-00), EWTdf 2353 (9901575-00), EWTdf 1653 (9901577-00)

Please check with your kitchen installer that the cabinetry will accommodate the weight of the EWT.. 23.. models when fully loaded.



88

EWTgb 1683
Vinidor

Flush-fitted insulated glass door / built-in appliance for integrated use

Energy efficiency class:	G
Energy consumption per year / 24 h:	143 / 0.391 kWh
Max. Bordeaux bottles 0.75 l:	33
Total volume ¹ :	105 l
Noise output / Sound power level:	32 dB(A) / B, SuperSilent
Climate rating:	SN (from +10 °C to +32 °C)
Door:	Black insulated glass door, handle and frame-free
Aperture dimensions in cm (h/w/d):	87.4-89 / 56-57 / at least 55.0

2 Zones	Humidity Select	Fresh Air	UV Protect	Vibrate Safe	Steel Interior	LED	Soft System	Telescopic Rails
Tip Open	Super Silent	Presentation Board						

Controls

- LC display with digital temperature indicator, Touch electronics
- Digital temperature display for both wine zones
- Alarm in case of malfunction: visual and acoustic
- Audible door alarm
- Child lock function

Wine compartment

- 2 temperature zones, can be regulated between +5 °C to +20 °C
- 2 adjustable refrigeration circuits
- Convection cooling, FreshAir active carbon filter
- Humidity regulation via controllable ventilation
- LED Interior lighting with on/off function, dimmable
- Beechwood shelves
- 4 Shelves, of which 2 on telescopic rails, of which 1 is a presentation shelf

Key features

- TipOpen
- Height-adjustable feet at front
- Reversible door hinging
- Concealed hinge with restricted opening



88

EWTgw 1683
Vinidor

Flush-fitted insulated glass door / built-in appliance for integrated use

Energy efficiency class:	G
Energy consumption per year / 24 h:	143 / 0.391 kWh
Max. Bordeaux bottles 0.75 l:	33
Total volume ¹ :	105 l
Noise output / Sound power level:	32 dB(A) / B, SuperSilent
Climate rating:	SN (from +10 °C to +32 °C)
Door:	White insulated glass door, handle and frame-free
Aperture dimensions in cm (h/w/d):	87.4-89 / 56-57 / at least 55.0

2 Zones	Humidity Select	Fresh Air	UV Protect	Vibrate Safe	Steel Interior	LED	Soft System	Telescopic Rails
Tip Open	Super Silent	Presentation Board						

Controls

- LC display with digital temperature indicator, Touch electronics
- Digital temperature display for both wine zones
- Alarm in case of malfunction: visual and acoustic
- Audible door alarm
- Child lock function

Wine compartment

- 2 temperature zones, can be regulated between +5 °C to +20 °C
- 2 adjustable refrigeration circuits
- Convection cooling, FreshAir active carbon filter
- Humidity regulation via controllable ventilation
- LED Interior lighting with on/off function, dimmable
- Beechwood shelves
- 4 Shelves, of which 2 on telescopic rails, of which 1 is a presentation shelf

Key features

- TipOpen
- Height-adjustable feet at front
- Reversible door hinging
- Concealed hinge with restricted opening



88

EWTdf 1653
Vinidor

Door-on-door / built-in appliance with décor panel

Energy efficiency class:	G
Energy consumption per year / 24 h:	142 / 0.389 kWh
Max. Bordeaux bottles 0.75 l:	30
Total volume ¹ :	97 l
Noise output / Sound power level:	32 dB(A) / B, SuperSilent
Climate rating:	SN-ST (from +10 °C to +38 °C)
Door:	Silver / Insulated glass door prepared for fridge door
Aperture dimensions in cm (h/w/d):	87.4-89 / 56-57 / at least 55.0

2 Zones	Humidity Select	Fresh Air	UV Protect	Vibrate Safe	Steel Interior	LED	Soft System	Telescopic Rails
Super Silent	Presentation Board							

Controls

- LC display with digital temperature indicator, Touch electronics
- Digital temperature display for both wine zones
- Alarm in case of malfunction: visual and acoustic
- Audible door alarm
- Child lock function

Wine compartment

- 2 temperature zones, can be regulated between +5 °C to +20 °C
- 2 adjustable refrigeration circuits
- Convection cooling, FreshAir active carbon filter
- Humidity regulation via controllable ventilation
- LED Interior lighting with on/off function, dimmable
- Beechwood shelves
- 4 Shelves, of which 2 on telescopic rails, of which 1 is a presentation shelf

Key features

- Height-adjustable feet at front
- Reversible door hinging
- Concealed hinge with restricted opening

Stainless steel frame and handle available as optional accessory (9901575-00)

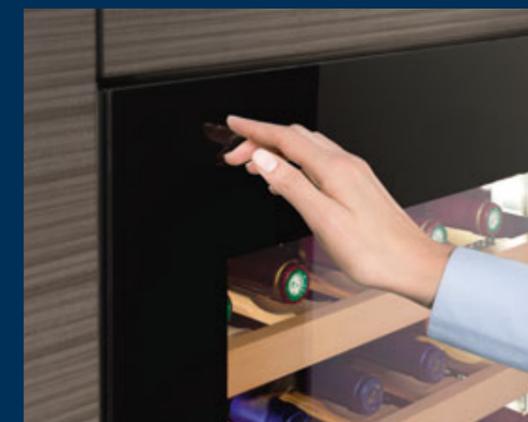
¹ In accordance with Regulation EU 2019/2016 we indicate the total volume to the nearest integer (rounded off) and the volume of the frozen compartments and refrigeration compartments to one place after the decimal point.

You can find the full range of efficiency classes on page 13. According to (EU) 2017/1369 6a.



SoftSystem

The SoftSystem feature provides added safety and convenience. Integrated within the door, the SoftSystem cushions movement when the door is closed. This SoftSystem ensures that the door closes gently even when fully loaded inside. The door automatically closes from an angle of approximately 30°.



TipOpen

The handle-free glazed door guarantees perfect integration into a handle-free kitchen. Not only provides UV protection you can trust but also ensures superb visibility of the stored wines. The TipOpen technology opens the glazed door 7 cm when tapped and, if the door is not opened further within three seconds, the soft-closing system will shut it again.

Please check with your kitchen installer that the cabinetry will accommodate the weight of the EWT.. 16.. models when fully loaded.



82-87

UWTgb 1682
Vinidor

Flush / under-worktop appliance

Energy efficiency class:	G
Energy consumption per year / 24 h:	138 / 0.378 kWh
Max. Bordeaux bottles 0.75 l:	34
Total volume ¹ :	94 l
Noise output / Sound power level:	35 dB(A) / B, SuperSilent
Climate rating:	SN-ST (from +10 °C to +38 °C)
Door:	Black insulated glass door, handle and frame-free
Aperture dimensions in cm (h/w/d):	82-87 / 60 / at least 58.0



Controls

- LC-Display, touch electronics
- Digital temperature display for both wine zones
- Alarm in case of malfunction: visual and acoustic
- Audible door alarm
- Child lock function

Wine compartment

- 2 temperature zones, can be regulated between +5 °C to +20 °C
- 2 adjustable refrigeration circuits
- Convection cooling, FreshAir active carbon filter
- Humidity regulation via controllable ventilation
- LED lighting with on/off function, dimmable
- Beechwood shelves
- 5 shelves, of which 3 on telescopic rails

Key features

- TipOpen
- Height-adjustable feet at front and rear
- Reversible door hinging
- Concealed hinge with restricted opening



82-87

UWTes 1672
Vinidor

Flush / under-worktop appliance

Energy efficiency class:	G
Energy consumption per year / 24 h:	142 / 0.389 kWh
Max. Bordeaux bottles 0.75 l:	34
Total volume ¹ :	94 l
Noise output / Sound power level:	38 dB(A) / C
Climate rating:	SN-ST (from +10 °C to +38 °C)
Door:	Insulated glass door with stainless steel frame / stainless steel
Aperture dimensions in cm (h/w/d):	82-87 / 60 / at least 58.0



Controls

- MagicEye with digital temperature display, key electronics
- Digital temperature display for both wine zones
- Alarm in case of malfunction: visual and acoustic
- Audible door alarm
- Child lock function

Wine compartment

- 2 temperature zones, can be regulated between +5 °C to +20 °C
- 2 adjustable refrigeration circuits
- Convection cooling, FreshAir active carbon filter
- Humidity regulation via controllable ventilation
- LED lighting with on/off function, dimmable
- Beechwood shelves
- 5 shelves, of which 3 on telescopic rails

Key features

- Aluminium handle
- Height-adjustable feet at front and rear
- Reversible door hinging
- Lock



82-87

UWKes 1752
GrandCru

Flush / under-worktop appliance

Energy efficiency class:	G
Energy consumption per year / 24 h:	139 / 0.380 kWh
Max. Bordeaux bottles 0.75 l:	46
Total volume ¹ :	110 l
Noise output / Sound power level:	38 dB(A) / C
Climate rating:	SN-ST (from +10 °C to +38 °C)
Door:	Insulated glass door with stainless steel frame / stainless steel
Aperture dimensions in cm (h/w/d):	82-87 / 60-61 / at least 58.0



Controls

- MagicEye with digital temperature display, key electronics
- Digital temperature display
- Alarm in case of malfunction: visual and acoustic
- Audible door alarm
- Child lock function

Wine compartment

- 1 temperature zone, can be regulated between +5°C and +20°C
- Convection cooling, FreshAir active carbon filter
- Humidity regulation via controllable ventilation
- LED lighting with on/off function
- Beechwood shelves
- 4 shelves, of which 3 on telescopic rails

Key features

- Aluminium handle
- Height-adjustable feet at front and rear
- Reversible door hinging
- Lock



82-87

UKes 1752
GrandCru

Flush / built-in appliance for integrated use

Energy efficiency class:	G
Energy consumption per year / 24 h:	201 / 0.550 kWh
Total volume ¹ :	110 l
Noise output / Sound power level:	39 dB(A) / C
Aperture dimensions in cm (h/w/d):	82-87 / 60-61 / at least 58.0



Controls

- MagicEye with digital temperature display, key electronics
- Digital temperature display
- Alarm in case of malfunction: visual and acoustic
- Audible door alarm
- Child lock function

Wine compartment

- 1 temperature zone, can be regulated between +2°C and +20°C
- 1 adjustable refrigeration circuit
- Convection cooling
- Humidity regulation via controllable ventilation
- LED lighting
- 4 shelves, of which 1 on telescopic rails

Key features

- Aluminium handle
- Height-adjustable feet at front and rear
- Reversible door hinging

Only available in 147 execution - with UK power plug

¹ In accordance with Regulation EU 2019/2016 we indicate the total volume to the nearest integer (rounded off) and the volume of the frozen compartments and refrigeration compartments to one place after the decimal point.

You can find the full range of efficiency classes on page 13. According to (EU) 2017/1369 6a.

Wine storage fridges for integrated use



WKEgb 582
GrandCru

Flush-fitted insulated glass door / built-in appliance for integrated use

Energy efficiency class:	G
Energy consumption per year / 24 h:	116 / 0.317 kWh
Max. Bordeaux bottles 0.75 l ² :	18
Total volume ¹ :	47 l
Noise output / Sound power level:	32 dB(A) / B, SuperSilent
Climate rating:	SN-ST (from +10 °C to +38 °C)
Door:	Black insulated glass door, handle and frame-free
Aperture dimensions in cm (h/w/d):	45-45.2 / 56-57 / at least 55.0



Controls

- LC display with digital temperature indicator, Touch electronics
- Digital temperature display
- Alarm in case of malfunction: visual and acoustic
- Audible door alarm
- Child lock function

Wine compartment

- 1 temperature zone, can be regulated between +5°C and +20°C
- Convection cooling, FreshAir active carbon filter
- Humidity regulation via controllable ventilation
- LED lighting with on/off function, dimmable
- Beechwood shelves
- 3 shelves, of which 2 on telescopic rails

Key features

- Folding door with TipOpen technology
- Concealed hinge with restricted opening

Also available in white glass EWTgw 582

² Max. 18 Bordeaux bottles for front to back storage.
Taller bottles can be stored side on (max. 12 Bordeaux bottles).



WKEes 553
GrandCru

Flush / built-in appliance for integrated use

Energy efficiency class:	G
Energy consumption per year / 24 h:	138 / 0.378 kWh
Max. Bordeaux bottles 0.75 l ² :	18
Total volume ¹ :	51 l
Noise output / Sound power level:	32 dB(A) / B, SuperSilent
Climate rating:	SN (from +10 °C to +32 °C)
Door:	Insulated glass door with stainless steel frame, handle and frame-free
Aperture dimensions in cm (h/w/d):	45 / 56 / at least 55.0



Controls

- LC display with digital temperature indicator, Touch electronics
- Digital temperature display
- Alarm in case of malfunction: visual and acoustic
- Audible door alarm
- Child lock function

Wine compartment

- 1 temperature zone, can be regulated between +5°C and +20°C
- Convection cooling, FreshAir active carbon filter
- Humidity regulation via controllable ventilation
- LED lighting with on/off function, dimmable
- Beechwood shelves
- 3 shelves, of which 2 on telescopic rails

Key features

- Recessed grip
- Reversible door hinging
- Concealed hinge with restricted opening

² Max. 18 Bordeaux bottles for front to back storage.
Taller bottles can be stored side on using the brackets provided (max. 12 Bordeaux bottles).

¹ In accordance with Regulation EU 2019/2016 we indicate the total volume to the nearest integer (rounded off) and the volume of the frozen compartments and refrigeration compartments to one place after the decimal point.

You can find the full range of efficiency classes on page 13. According to (EU) 2017/1369 6a.

Wine storage fridges for integrated use



Accessories drawer

The easy-glide accessories drawer can be used to store accessories directly below wine storage fridges in the WKE 5 model range. This increases the 45 cm recess to 60 cm. Available in black glass (9901085-00).



LED lighting

All wine fridges feature dimmable LED lighting, which evenly illuminates the interior and can be left on permanently if desired. Because LEDs generate minimal heat, wines can be sympathetically illuminated and beautifully presented for an extended period of time.



OKes 1750



Outdoor

Outdoor kitchens with refrigerators – whether freestanding or built-in – also provide convenience and perfect storage outdoors. The Outdoor Cooler is ideally suited to outdoor use thanks to its rust- and weatherproof materials, robust construction and high-quality components as well as its automatic shut-down function and integrated lock.



Flexible and ergonomic interior layout

With bottles stored at the bottom, the two storage racks are ideal for smaller packages. The glass shelf on telescopic rails provides an overview of foodstuffs stored at the back. Depending on the size, containers can also be stored on two height-adjustable glass shelves. And a separable glass shelf means that larger and open bottles can easily be stored upright.



OKes 1750

Energy efficiency class:	B
Energy consumption year / 24 hrs:	177 / 0.484 kWh
Total volume ¹ :	109 l
Noise output / Sound power level:	-
Door / side walls:	Stainless steel / stainless steel
Exterior dimensions in cm (h / w / d):	81.8 / 59.8 / 57.7



Controls

- LCD display in the interior
- MagicEye with digital temperature display
- Alarm in case of malfunction: visual and acoustic
- Door alarm fridge compartment: visual and acoustic

Outdoor Cooler

- LED lighting
- 1 Temperature zone, which can set from +2 °C to +14 °C
- Safety shut-down
- Ambient temperature range: +2 °C to +35 °C

Key features

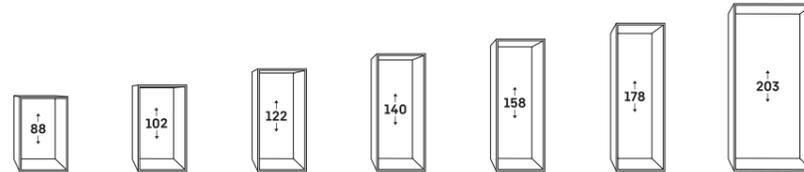
- Can be installed underneath counters (ventilation via the base)
- Stainless steel slimline door handle
- Height-adjustable feet at front and back
- Reversible door hinging
- Concealed hinge with restricted opening
- Splash-proof class: IPX-4

¹ In accordance with Regulation EU 2019/2016 we indicate the total volume to the nearest integer (rounded off) and the volume of the frozen compartments and refrigeration compartments to one place after the decimal point. You can find the full range of efficiency classes at page 13. According to (EU) 2017/1369 6a.



Aperture dimensions

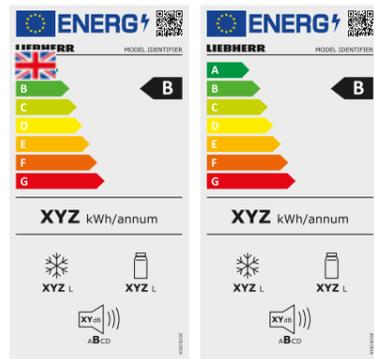
The dimensions for fully integrated appliances are industry standard. The aperture dimensions provide information about the appliance size or height. The exact dimensions of each appliance can be seen in the installation diagrams on the pages that follow.



SN	from +10 °C to +32 °C
ST	from +16 °C to +38 °C
N	from +16 °C to +32 °C
T	from +16 °C to +43 °C

Climate class

The climate rating specifies the ambient temperature for which the appliances are guaranteed to work normally. The following climate ratings have been defined (pursuant to DIN EN ISO 15502):

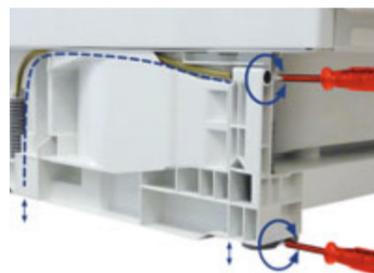


Outstanding energy efficiency

By combining state-of-the-art, precision electronics and highly efficient refrigeration systems, Liebherr offers an attractive and ultra-economical range of appliances in the best energy efficiency classes across all product groups. Liebherr offers products with the greatest possible energy savings. You can find the full range of efficiency classes on page 13. According to (EU) 2017/1369 6a.

Vario plinth

The Vario plinth makes it possible to adapt under-worktop models (UIK, SUIG, UWT and UWK) to the height and depth of the kitchen units. All four positioning feet can be adjusted by up to 50 mm from the front. The position of the ventilation grille can also be adjusted to match the front of the kitchen units; it can be moved by up to 55 mm.



Levelling bars

Taller appliances with a height of 140 cm or more have two levelling bars on the left and right of the base. These make it possible to correctly level position the appliance and thereby ensure that the door closes correctly so that the appliance works properly.



Integrated built-in appliances

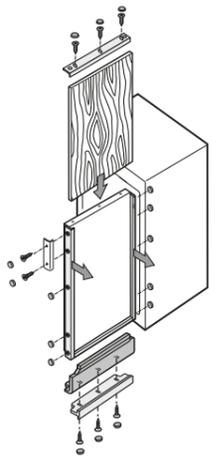
These appliances are designed for easy installation behind the kitchen unit door and can therefore be integrated perfectly into your kitchen. Two different types of unit door installation are available:

- 1 - Door-on-door installation, the kitchen unit door and the appliance door are connected by attaching the unit door to the appliance door.
- 2 - Door-slider installation, the unit door is directly attached to the cabinet and connected to the appliance door via sliding rails. When opened and closed, the unit door slides along the rails. Sliding door models are indicated by the letter 'S' in their model name, excluding SBS / SIGN / SICN models.



Décor panel/equaliser trims

On décor panel appliances, a décor panel, up to 4 mm thick, that matches the kitchen finish can be inserted into the décor frame on the appliance door. The décor panel is aluminium coloured as standard, but brown and white frames are also available as optional accessories. If the existing décor panel is too small for the replacement appliance, it can be adapted using equaliser trims that match the colour of the décor frame. Depending on the dimensions, or for aesthetic reasons, one or two equaliser trims (top and/or bottom) can be used. The equaliser trims are available in three heights (16, 41 and 60 mm) and three different colours (brown, white and aluminium coloured).



Front air intake and ventilation

To ensure that the refrigeration system is cooled and the appliance operates correctly, fully integrated appliances must be adequately ventilated. Depending on the model and the installation location:

- 1 - Fully integrated appliances in non-ceiling height kitchen units. Front air intake in the plinth, venting via the back wall of the kitchen unit.
- 2 - Fully integrated appliances in ceiling height kitchen units. Front air intake in the plinth, venting via ventilation slots at the top.
- 3 - In the case of individual fully integrated appliances installed one above the other (Freshness Centre/SBS Concept, see pages 30-33) ventilation takes place as described in 1 and 2.
- 4 - Fully integrated appliances with both air intake and venting at the front.
- 5 - Under-worktop appliances with front air intake in the plinth. Venting via ventilation slots at the top.
- 6 - Under-worktop appliances with both air intake and venting at the front.

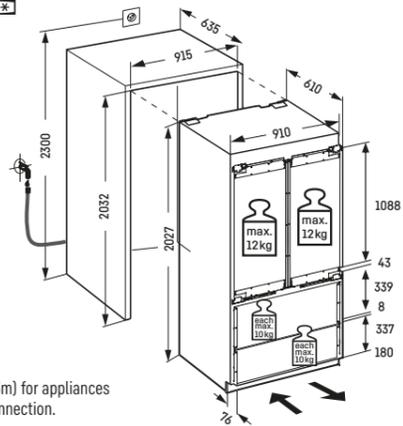


Please note: All ventilation slots must be at least 200 cm².

Diagrams

203 [mm]

ECBNe 8872 ****



Reinforced flexible hose (3m) for appliances with a 3/4" plumbed-in connection.

NB: The cupboard door is attached to the appliance door (door on door assembly). No cupboard hinges required.

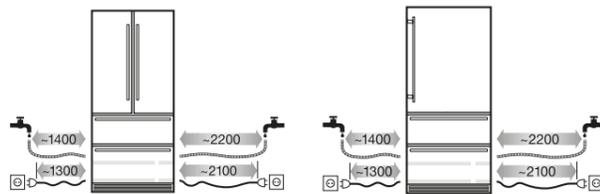
178 [mm]

Plumbed-in connection

ECBNe 8872 ****

Plumbed-in connection

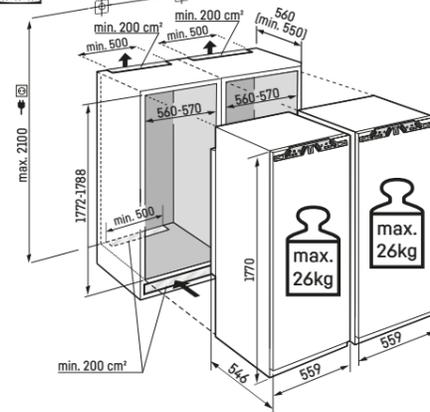
ECBNe 8870 ****
ECBNe 8871 ****
ECBNe 7870 ****
ECBNe 7871 ****



Fixed water connection (3/4") required for automatic ice-cube maker. Reinforced flexible hose (3m) for appliances with a 3/4" plumbed-in connection.

178 [mm]

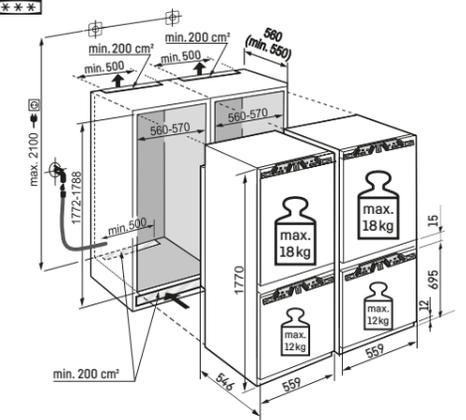
IXRF 5125 ****
IXRF 5100 ****



NB: The cupboard door is attached to the appliance door (door on door assembly). No cupboard hinges required.

178 [mm]

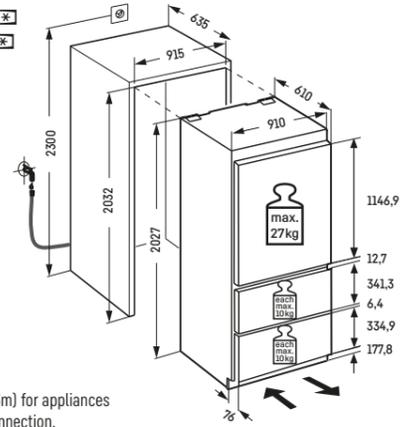
IXCC 5165 ****



NB: The cupboard door is attached to the appliance door (door on door assembly). No cupboard hinges required.

203 [mm]

ECBNe 8870 ****
ECBNe 8871 ****

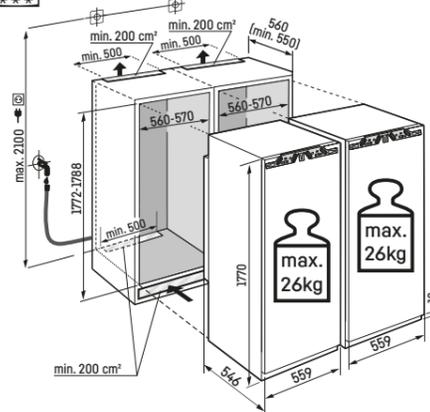


Reinforced flexible hose (3m) for appliances with a 3/4" plumbed-in connection.

NB: The cupboard door is attached to the appliance door (door on door assembly). No cupboard hinges required.

178 [mm]

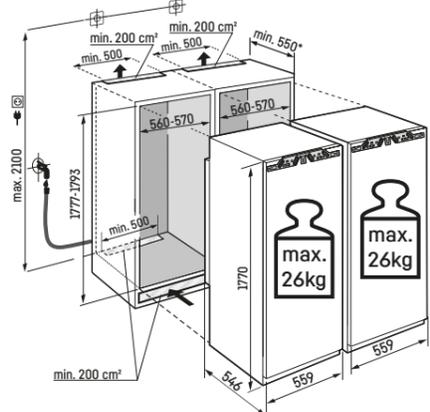
IXRF 5165 ****
IXRF 5175 ****



NB: The cupboard door is attached to the appliance door (door on door assembly). No cupboard hinges required.

178 [mm]

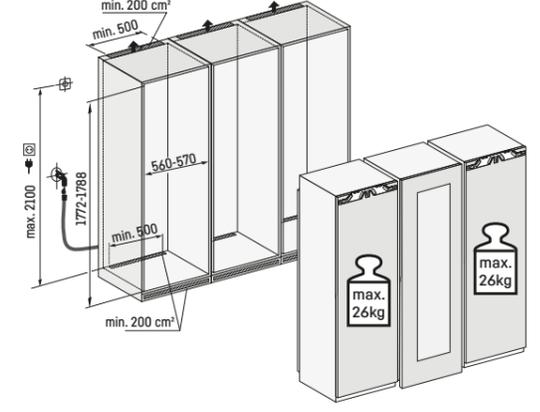
IXRFA 5175 ****



NB: The cupboard door is attached to the appliance door (door on door assembly). No cupboard hinges required.

178 [mm]

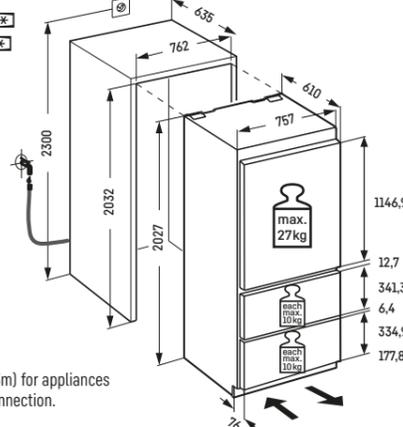
IXRFW 5174 BS0 ****



NB: The cupboard door is attached to the appliance door (door on door assembly). No cupboard hinges required.

203 [mm]

ECBNe 7870 ****
ECBNe 7871 ****



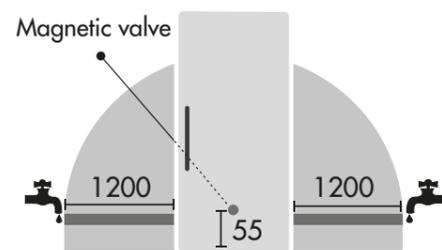
Reinforced flexible hose (3m) for appliances with a 3/4" plumbed-in connection.

NB: The cupboard door is attached to the appliance door (door on door assembly). No cupboard hinges required.

Plumbed-in connection

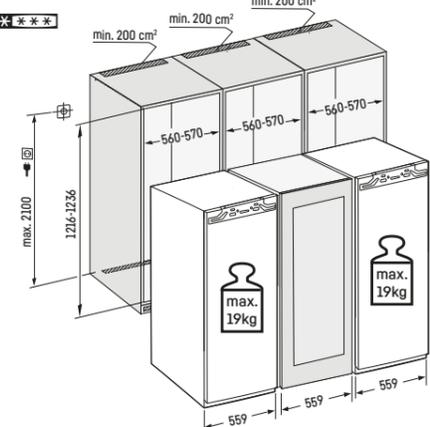
IXRFW 5174 BS0 ****
IXRFA 5175 ****
IXRF 5175 ****
IXRF 5165 ****
IRBAc 5190 ****
SIFNAd 5188 ****

SIFNbsdi 5188 ****
SIFNdi 5188 ****
IRBci 5180



122 [mm]

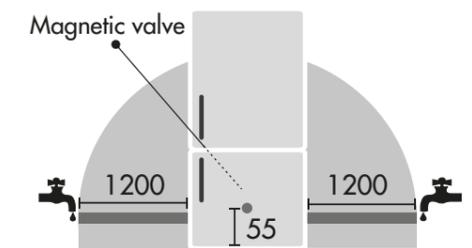
IXRFW 4173 ****



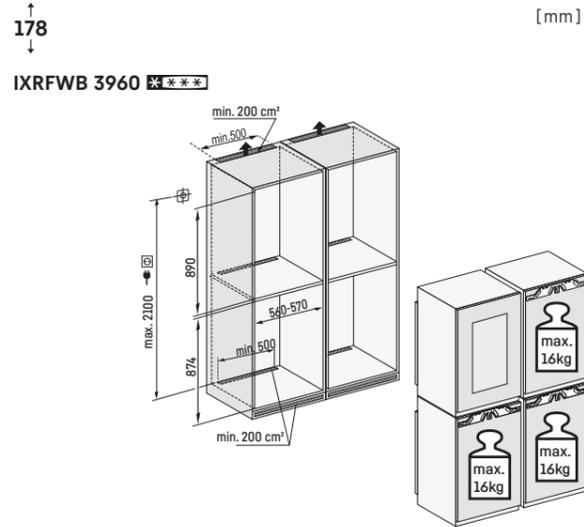
NB: The cupboard door is attached to the appliance door (door on door assembly). No cupboard hinges required.

Plumbed-in connection

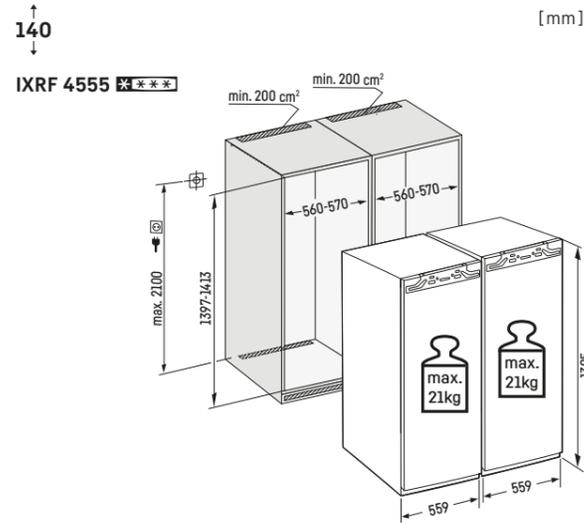
IXCC 5165 ****
ICBNci 5183 ****
ICBNbsci 5173 ****
ICBNdi 5163 ****
ICBci 5182 ****
ICNci 5173 ****



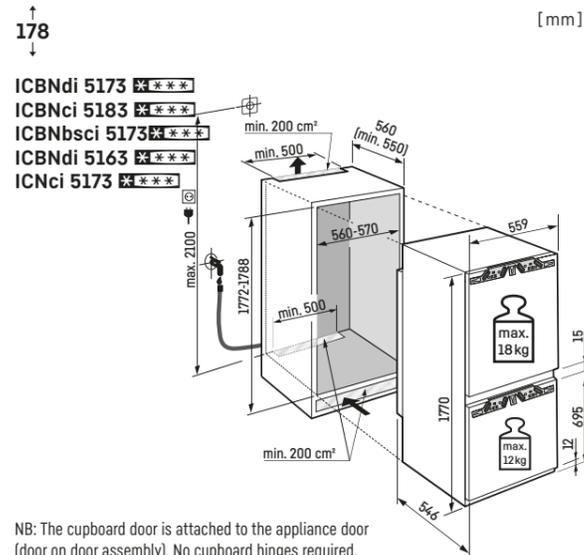
Diagrams



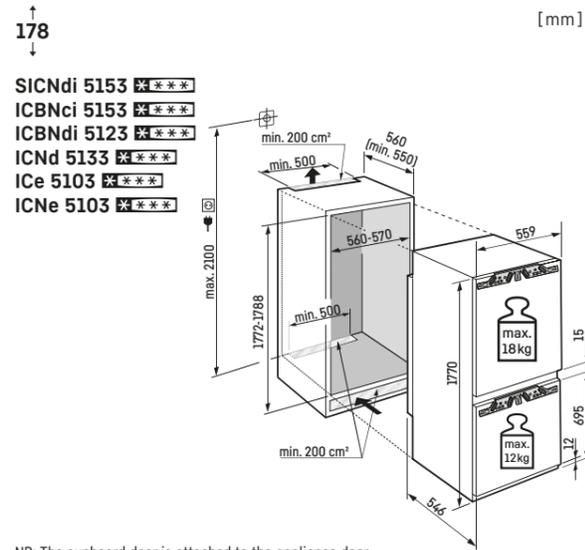
NB: The cupboard door is attached to the appliance door (door on door assembly). No cupboard hinges required.



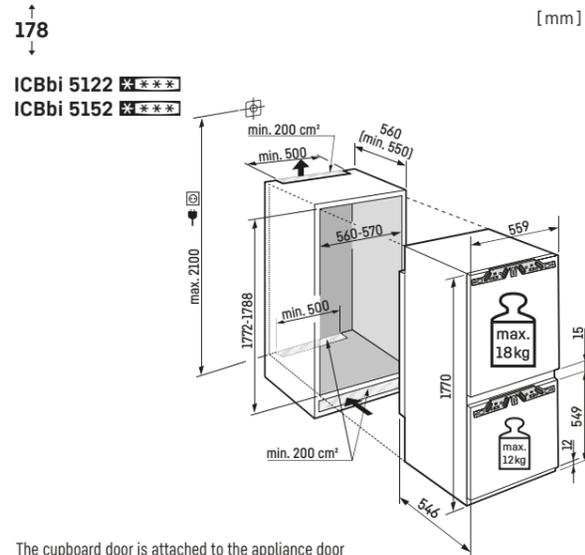
NB: The cupboard door is attached to the appliance door (door on door assembly). No cupboard hinges required.



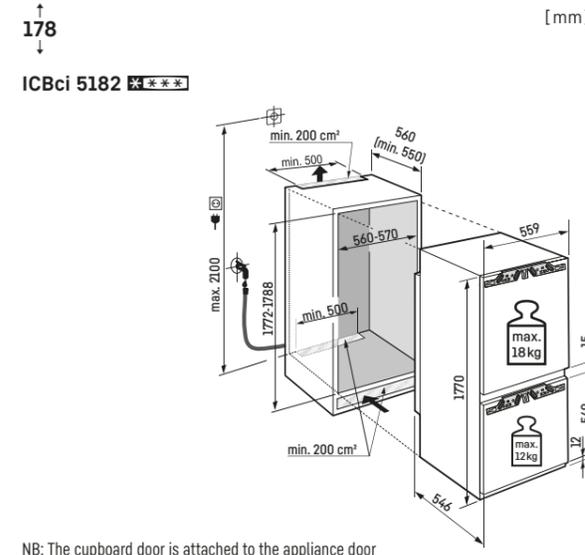
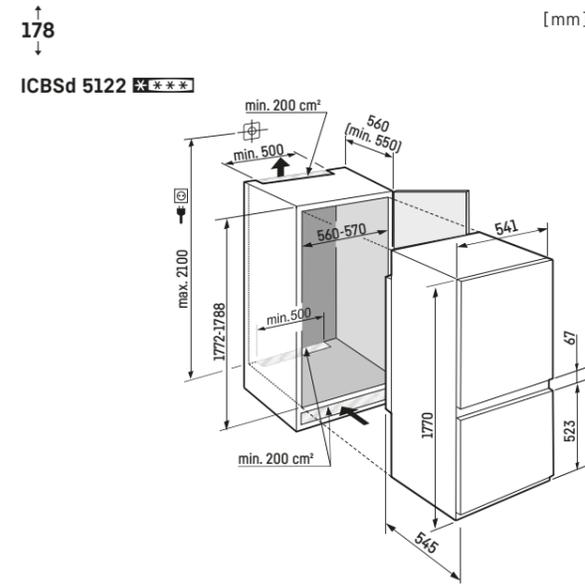
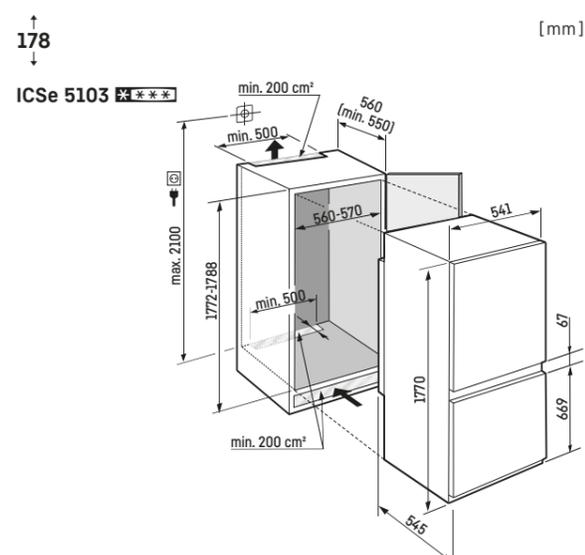
NB: The cupboard door is attached to the appliance door (door on door assembly). No cupboard hinges required.



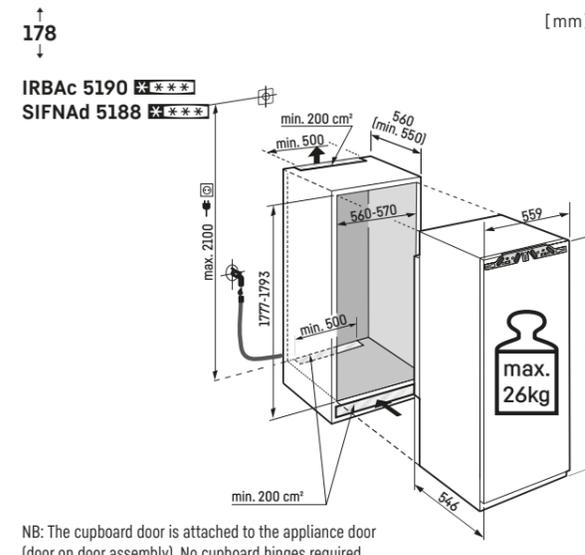
NB: The cupboard door is attached to the appliance door (door on door assembly). No cupboard hinges required.



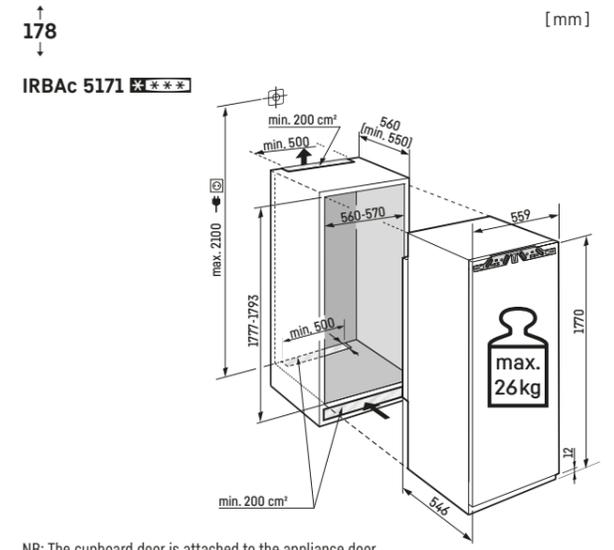
The cupboard door is attached to the appliance door (door on door assembly). No cupboard hinges required.



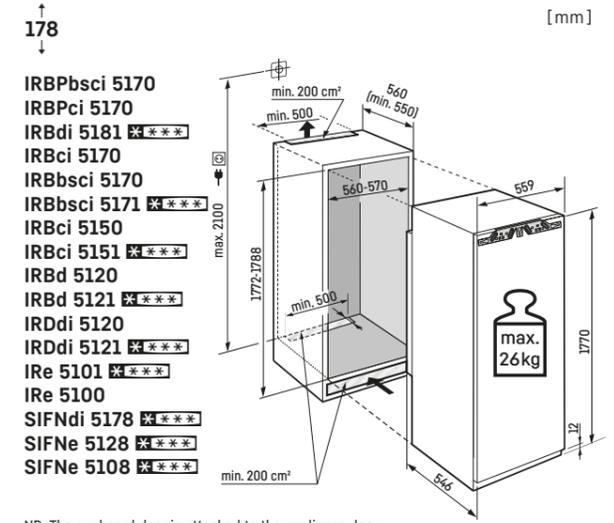
NB: The cupboard door is attached to the appliance door (door on door assembly). No cupboard hinges required.



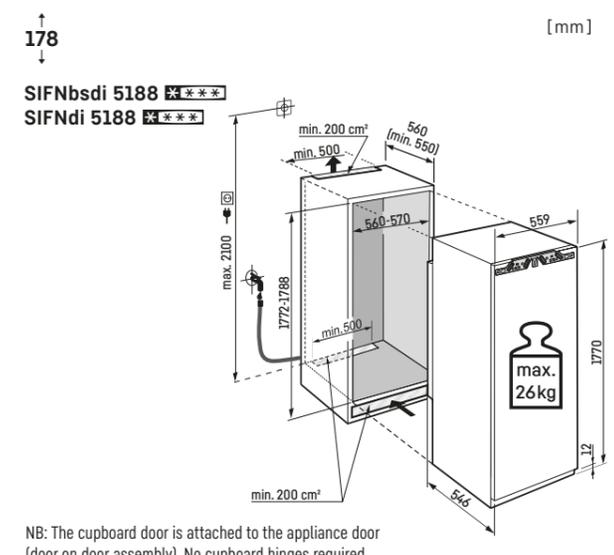
NB: The cupboard door is attached to the appliance door (door on door assembly). No cupboard hinges required.



NB: The cupboard door is attached to the appliance door (door on door assembly). No cupboard hinges required.

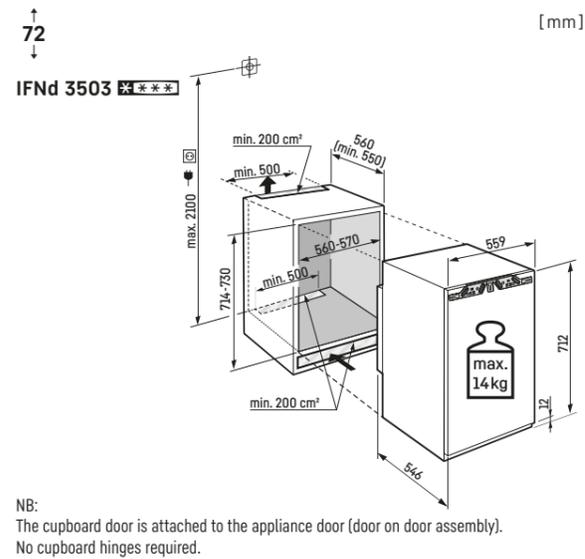
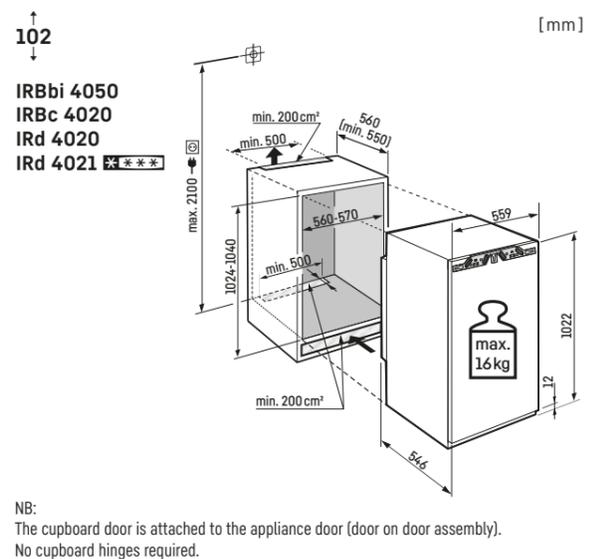
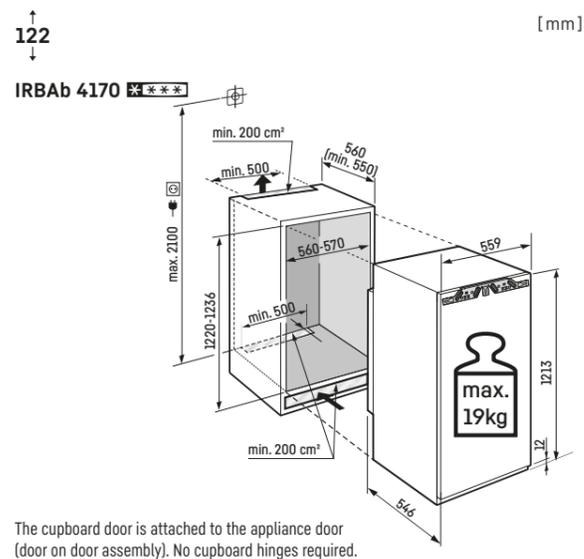
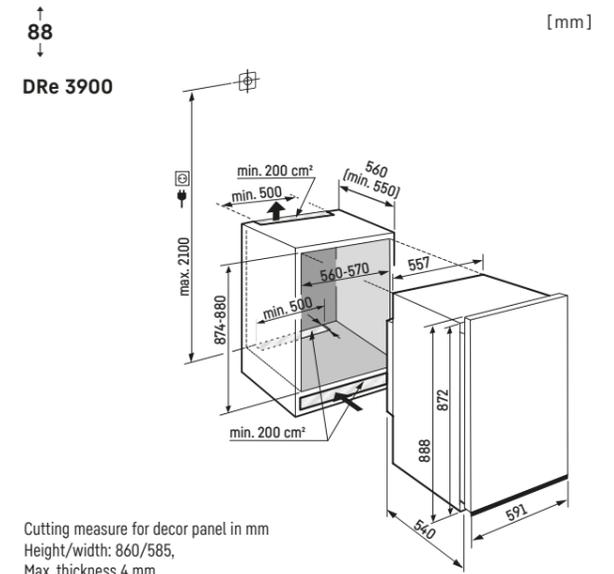
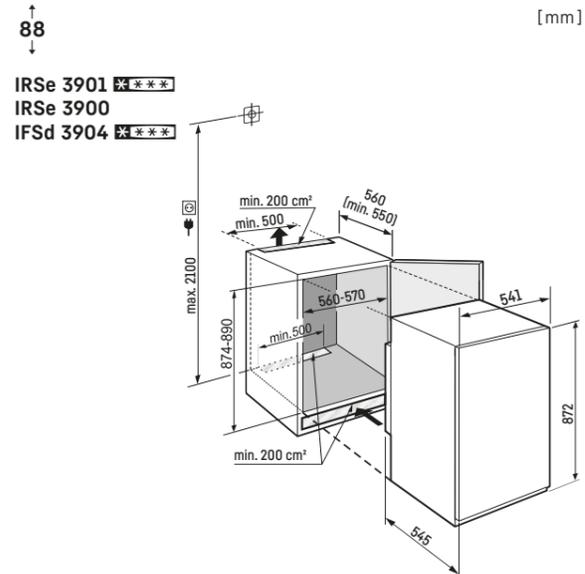
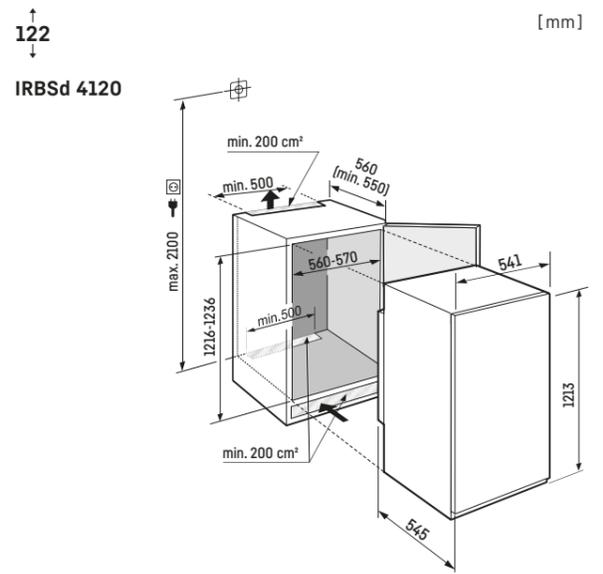
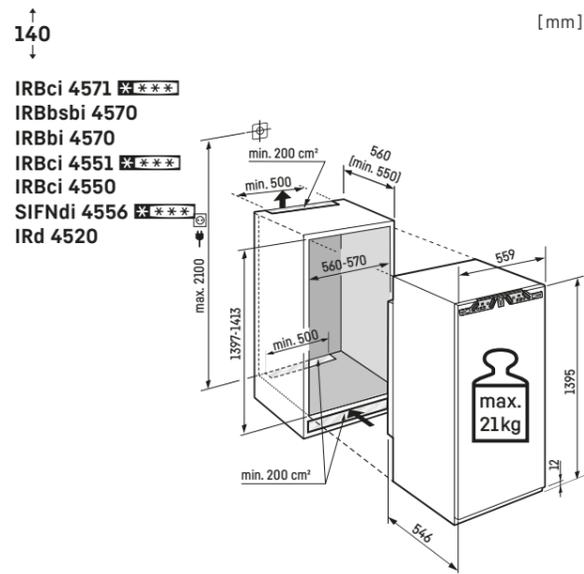
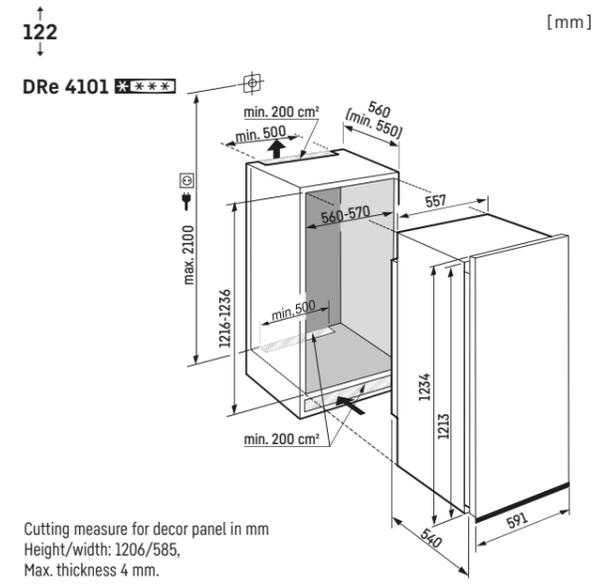
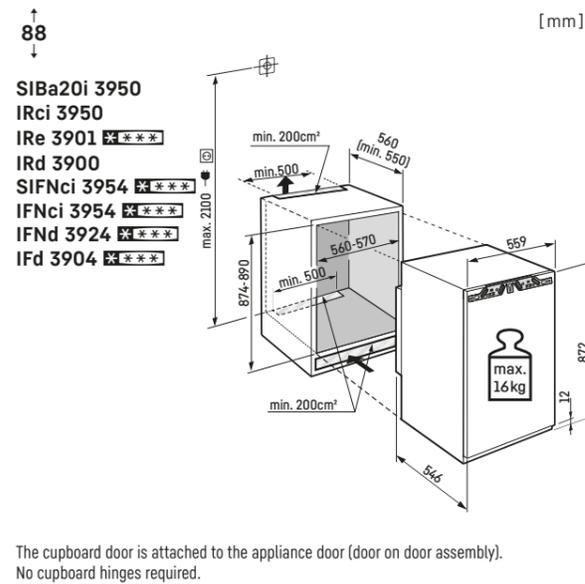
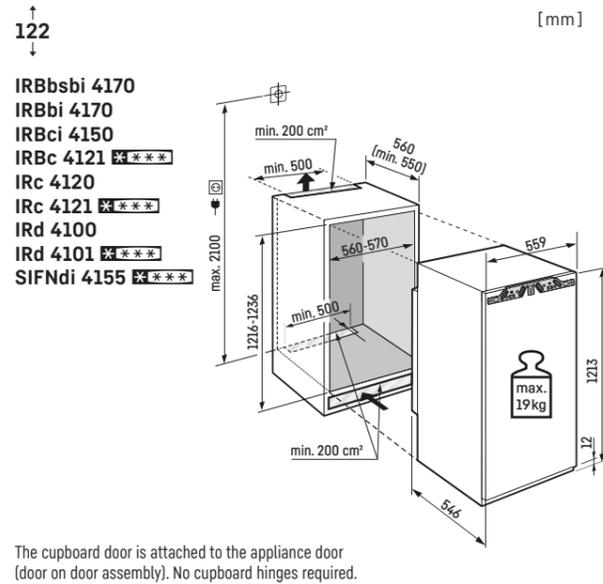
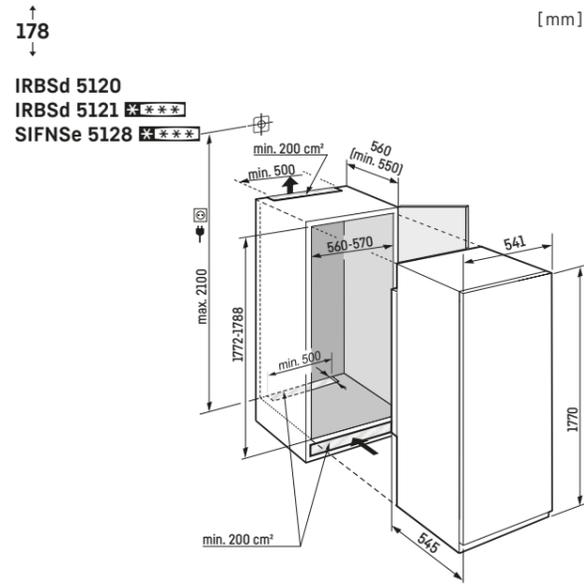


NB: The cupboard door is attached to the appliance door (door on door assembly). No cupboard hinges required.

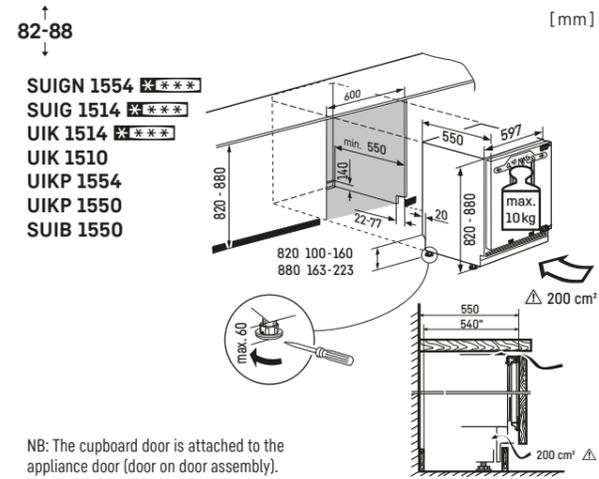


NB: The cupboard door is attached to the appliance door (door on door assembly). No cupboard hinges required.

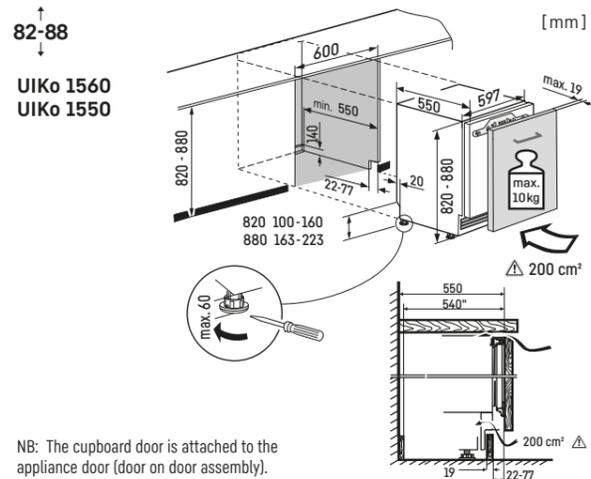
Diagrams



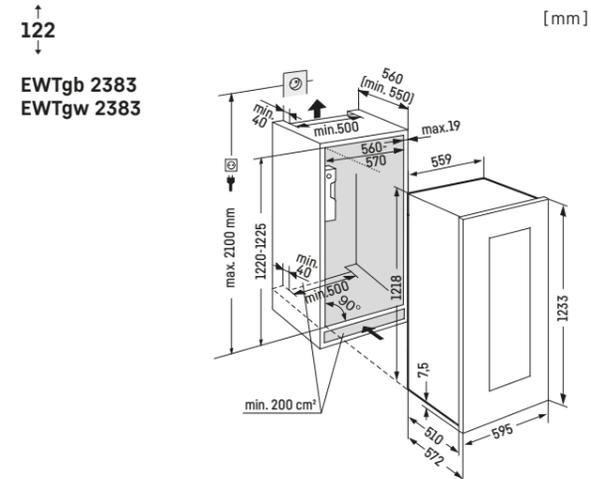
Diagrams



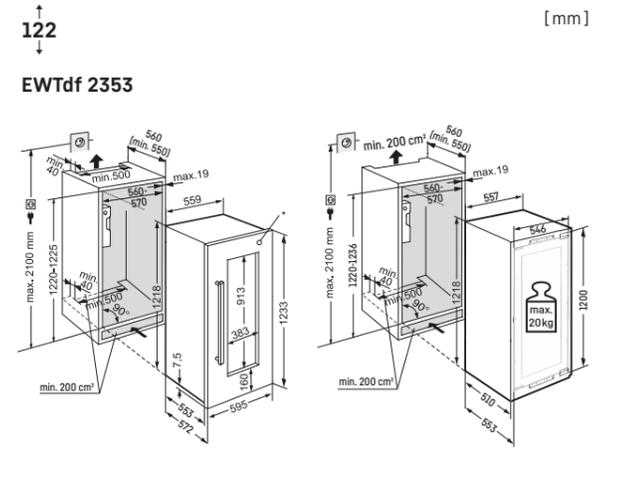
NB: The cupboard door is attached to the appliance door (door on door assembly).
 No cupboard hinges required.
 Plinth height at appliance height of 820 mm (height of worktop 850 mm) adjustable between 100 and 160 mm, or between 163 and 223 mm at appliance height of 880 mm (height of worktop 900 mm). Depth of plinth 22-77 mm.



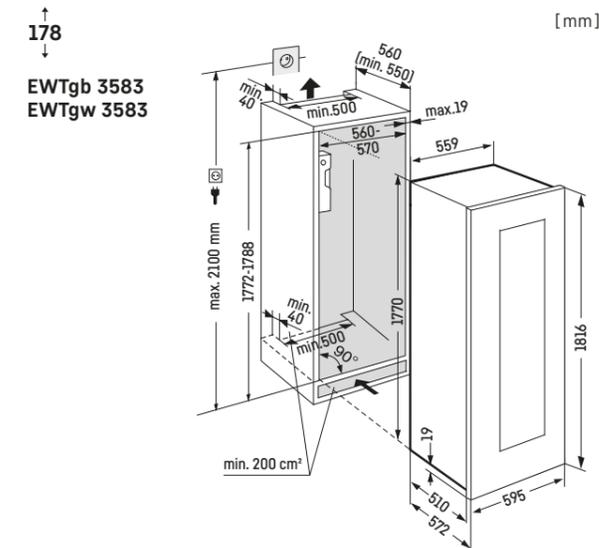
NB: The cupboard door is attached to the appliance door (door on door assembly).
 No cupboard hinges required.
 Plinth height at appliance height of 820 mm (height of worktop 850 mm) adjustable between 100 and 160 mm, or between 163 and 223 mm at appliance height of 880 mm (height of worktop 900 mm). Depth of plinth 22-77 mm.



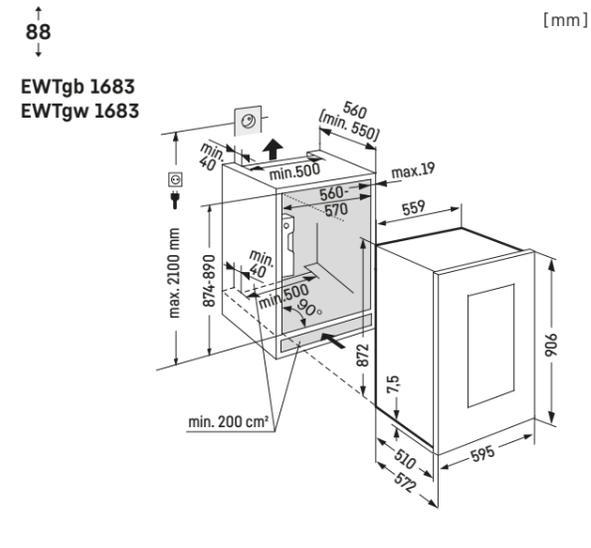
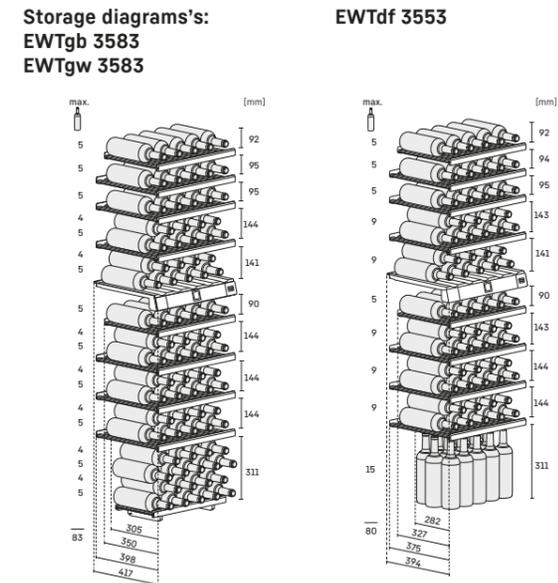
Door dimensions (h/w/d): 595/1233/552 mm.



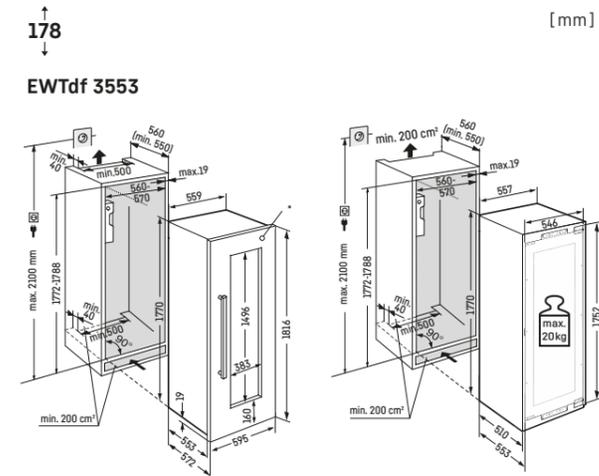
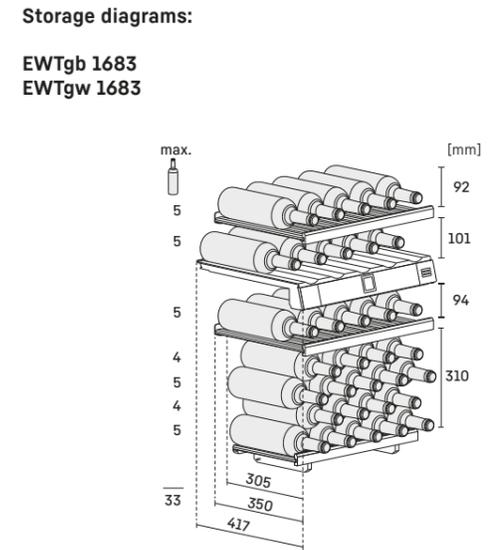
* Shown with stainless steel frame installed
 Door dimensions (h/w/d): 595/1233/552 mm.



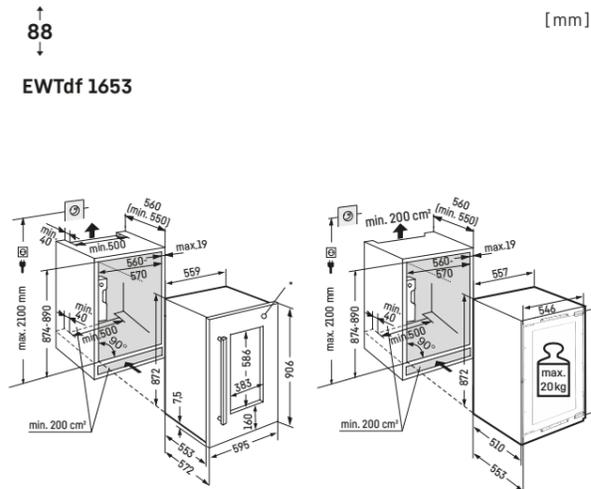
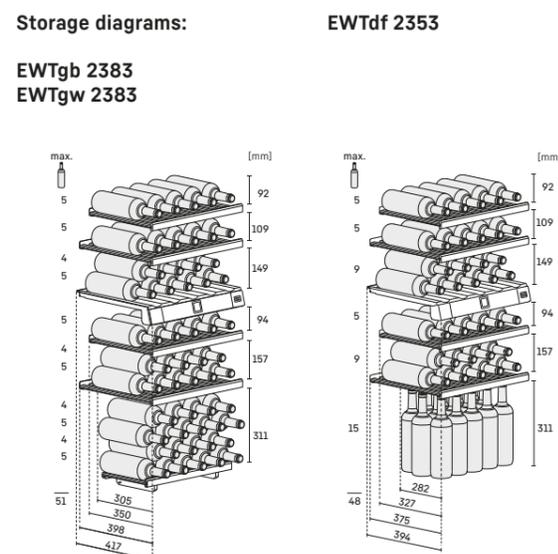
Door dimensions (h/w/d): 595/1816/552 mm.



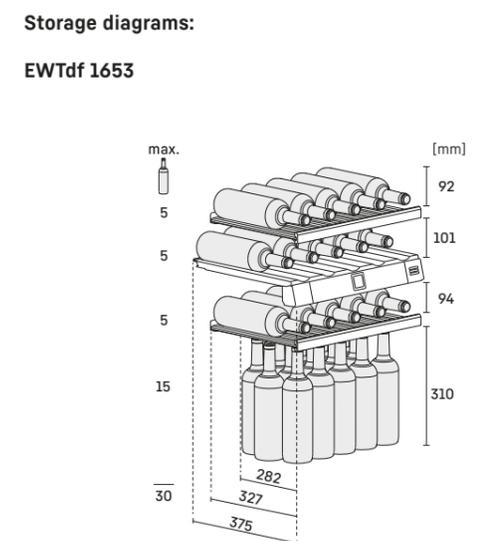
Door dimensions (h/w/d): 595/906/552 mm.



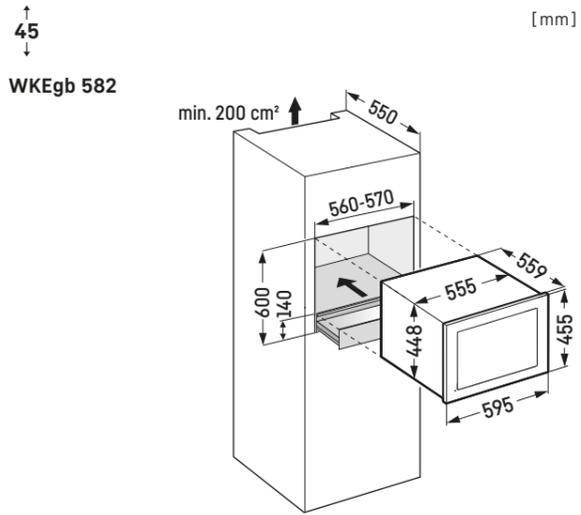
* Shown with stainless steel frame installed.
 Door dimensions (h/w/d): 595/1816/552 mm.



* Shown with stainless steel frame installed.
 Door dimensions (h/w/d): 595/906/552 mm.



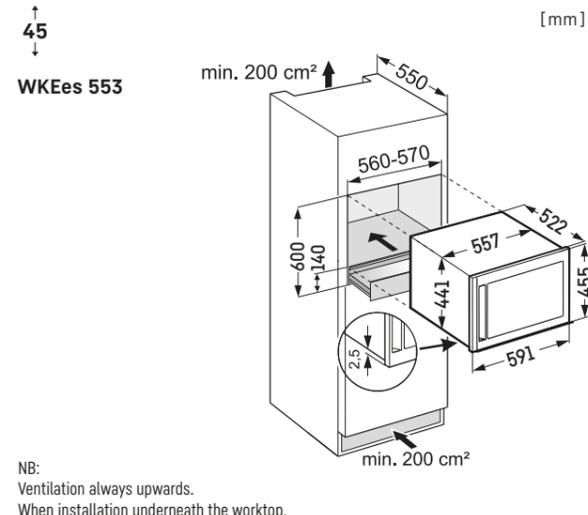
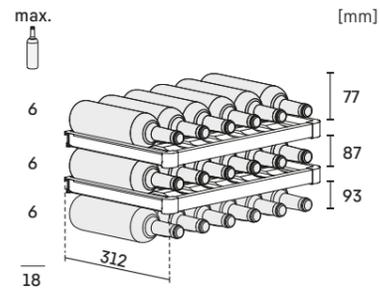
Diagrams



Glass door with stainless steel frame.
Door dimensions (h/w/d): 450 / 595 / 35 mm

Storage diagrams:

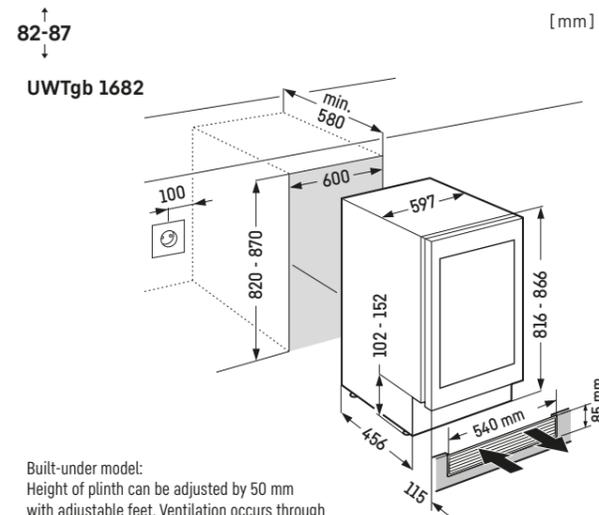
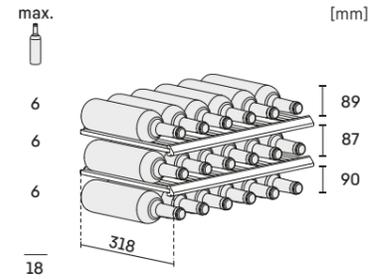
WKEgb 582



NB:
Ventilation always upwards.
When installation underneath the worktop,
a ventilation grill is required.
Glass door with stainless steel frame.
Door dimensions (h/w/d): 455 / 591 / 16 mm

Storage diagrams:

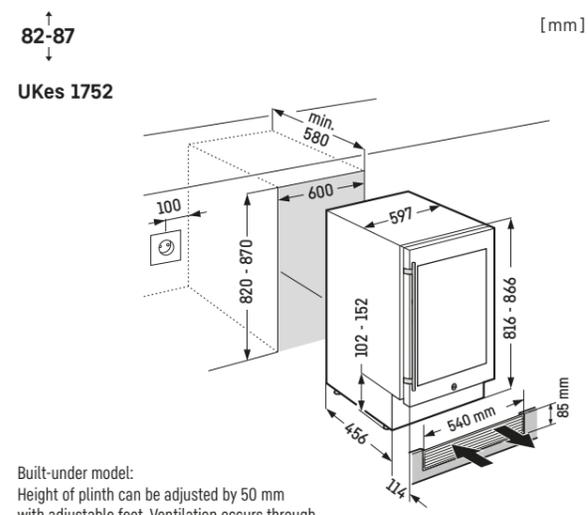
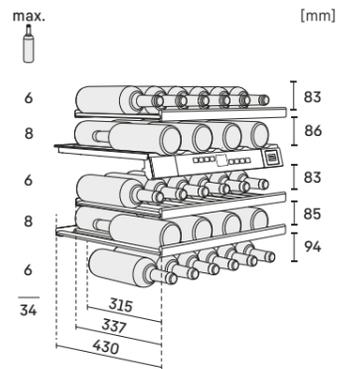
WKEes 553



Built-under model:
Height of plinth can be adjusted by 50 mm
with adjustable feet. Ventilation occurs through
the plinth. No ventilation grill is needed in the worktop.
Frameless, handle-less glass door.
Door dimensions (h/w/d): 717 / 596 / 39 mm

Storage diagrams:

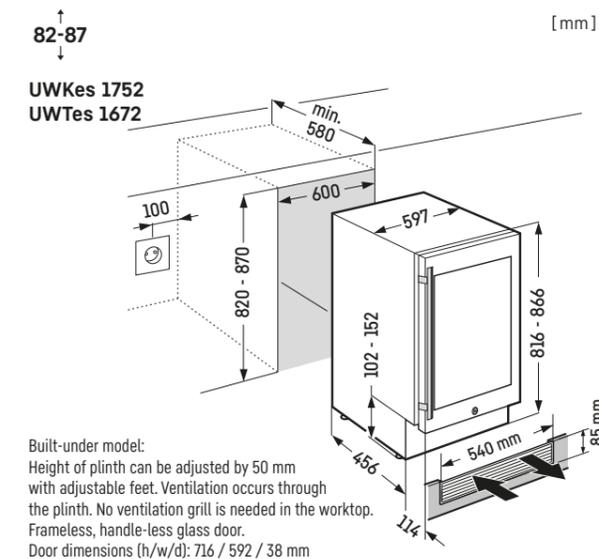
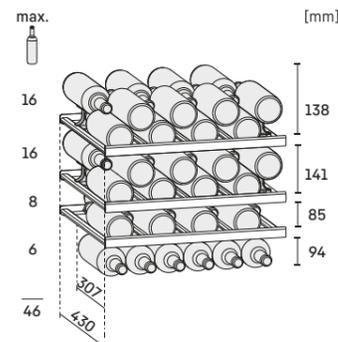
UWTgb 1682



Built-under model:
Height of plinth can be adjusted by 50 mm
with adjustable feet. Ventilation occurs through
the plinth. No ventilation grill is needed in the worktop.
Frameless, handle-less glass door.
Door dimensions (h/w/d): 716 / 592 / 38 mm

Storage diagrams:

UWKes 1752
UWTes 1672



Built-under model:
Height of plinth can be adjusted by 50 mm
with adjustable feet. Ventilation occurs through
the plinth. No ventilation grill is needed in the worktop.
Frameless, handle-less glass door.
Door dimensions (h/w/d): 716 / 592 / 38 mm



Please note that the recommended furniture door thickness limits are 16mm - 19mm. Thicker door panels can be fitted within the relevant weight limits but specialist advice should be obtained. Please refer to the installation instructions for the individual model door weight limits.

Stay in touch

Our catalogue programme

Ask your Liebherr dealer for our main catalogues for freestanding and fully integrated appliances and for our specials. All catalogues are also available for download at home.liebherr.com.



SmartDevice app: The smart companion for your Liebherr. Operate your appliances conveniently via app, receive important status messages and benefit from many other services relating to your fridge.



You can download our apps here.

EWTdf 1653 Vinidor
SIFNci 3954 ◊ Prime series

IRci 3950 ◊ Prime series
SIBa20i 3950 ◊ Prime series



home.liebherr.com

Brief explanation of features

Freshness technologies

Bio Fresh Professional

BioFresh-Professional offers even more flexibility for individual food storage.

Hydro Breeze

Cooling like a pro: Cold mist and a temperature in the safe of around 0 °C ensure a longer storage time and create a fabulous visual effect.

Fish & Seafood

The Fish & Seafood Safe stores fish and seafood at the optimum temperature of -2 °C; as professionally as your fishmonger.

Bio Fresh

The reliable BioFresh technology stores groceries at a temperature just above 0 °C, much cooler than in the rest of the appliance.

Easy Fresh

The air-tight safe allows humidity to rise keeping food fresher for longer.

Duo Cooling

Two separately controlled refrigeration circuits. The temperatures within the refrigerator and freezer compartments can be controlled independently.

No Frost

Defrosting is never needed as the freezer automatically defrosts itself.

Smart Frost

Defrosting is required much less often.

Super Cool

SuperCool boosts the cooling power until the food recently placed inside reaches the temperature of the rest of the contents.

Super Frost

SuperFrost increases the cooling power for a short time – this means the temperature remains constant when you place in unfrozen food.

Wine

1 Zone

With constant temperature throughout the interior, adjustable from +5 °C to +20 °C.

2 Zones

With two temperature zones, independently and precisely adjustable from +5 °C to +20 °C.

Humidity Select

The humidity can be actively regulated in 5% increments between 50% and 80% rH.

Fresh Air

For a pure bouquet, an activated charcoal filter reliably binds odours of any kind.

UV Protect

Secure wine with top-tier UV protection: Tinted glass and double-layered metal shield against harmful solar radiation.

Vibrate Safe

Silent compressors and beech wood shelves virtually eliminate vibration, keeping wines safe and flavours intact.

Convenience and flexibility

Soft System

The door closes gently even when fully loaded inside. The door automatically closes from an angle of approximately 30°/45°.

Soft Telescopic Rails

Fully extendible drawers run on telescopic rails and feature a convenient self-retraction mechanism with soft-closing.

Telescopic Rails

Drawers set on high-quality, smooth-running telescopic rails for reliable and secure opening and closing.

Touch & Swipe-Display

Intuitive control – simply by touching and swiping on the colour display.

Brief explanation of features

Convenience and flexibility

Touch-Display

A Liebherr is really simple to use with a gentle tap of a finger on the clear touch display.

LiftUp Box

The LiftUp-Box allows you to fully utilise the storage space below the pull-out drawer. When pulled out, the LiftUp-Box pushes up and out of the base recess, allowing groceries to be removed easily (UIKo 1560 only).

Vario Space

For extra high storage space: Simply take out the individual freezer drawers and the glass horizontal dividers below and make space for extra tall frozen items.

Tip Open

The glazed door opens 7 cm when tapped for convenient access and, if the door is not opened further within 3 seconds the soft-closing systems will shut it again.

Auto Door

Unique worldwide: AutoDoor allows easy and convenient opening and closing of the door via voice command, knocking signal and smartphone - or simply by hand.

Ultra Silent

You've probably never heard of this Liebherr - simply because it's so quiet.

Super Silent

Shhh - listen carefully. Your Liebherr is so quiet that you have to strain your ears to hear it.

Presentation Board

Shows off exquisite wines and presents bottles that have been opened.

Side by Side

With the Side-by-Side concept, fridges, freezers and wine fridges can be individually combined according to personal requirements.

Design

Open Stage

Transparent drawers present the complete fridge contents with maximum clarity and in an ergonomic manner.

Glass & Steel Interior

The interior features elegant glass and stainless steel elements.

Design

Light Tower

The new LightTower lighting concept evenly illuminates the interior while supporting the glass shelves. Flexible, space-saving, unique.

Light Column

LED light column from top to bottom evenly illuminates the interior. One-sided or double-sided depending on the series.

LED

Minimal heat generation, energy-saving and maintenance-free for optimum lighting.

Steel Interior

Not just an attractive design element, the SmartSteel stainless steel rear wall panel ensures balanced air circulation.

Water and Ice

Infinity Spring

Ice-cold water on tap with no heavy lifting of bottles and is better for our environment.

Ice Tower

Perfect for Parties: You will never run out of cold drinks. The 8 kg supply of ice cubes makes sure of that.

Ice Maker

Automatic IceMaker with fixed water connection.

Ice Maker Water tank

If no fixed water connection is available, there is an IceMaker with a water tank in the fridge compartment.

Connectivity

Smart Device ready

The SmartDeviceBox allows the appliance to be controlled and used via mobile devices. The SmartDeviceBox can be ordered as an accessory.

Smart Device

The SmartDeviceBox enables appliance control and use of additional services via computer and mobile devices.

*SmartDevice/Smart app can also be used.



Hydro
Breeze

Subject to modification.
Current data see home.liebherr.com.
Printed in Croatia by Stega Tis ak
7943 096 - 21 / 04, 2024 - EN - LEX



home.liebherr.com