
Created for True Wine Connoisseurs

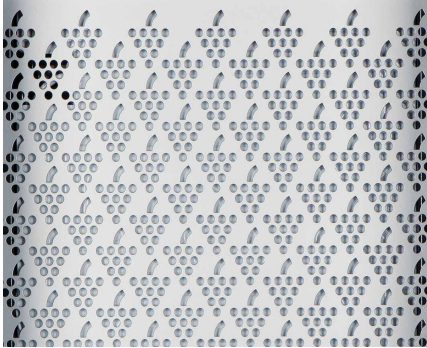
Liebherr wine cabinets satisfy your thirst for the smartest, most elegant ways to store fine wines. Add sophisticated flair to your entertainment areas while enjoying the best conditions for wine storage.

LIEBHERR

Freestanding Wine Cabinets



Unique features



Ideal Humidity for Long-term Storage

When humidity level falls below 50%, natural corks begin to shrink, causing oxygen to enter the bottle and resulting in damaged wine. Liebherr wine cabinets guarantee ideal conditions which allows wine corks to remain supple and prevent oxidization, with humidity between 50% – 80% depending on ambient humidity.



Optimum Air Quality with Charcoal Filter

Environmental odours can adversely affect the quality of wine stored over prolonged periods. To protect your prized collection, each Liebherr wine cabinet is equipped with an activated charcoal filter to provide a permanent supply of odourless, fresh air.



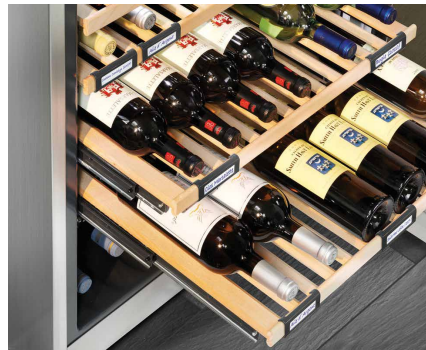
UV Protection with Insulated Glass Doors

Our wine cabinets come with insulated glass doors with special UV protection. The double-glazed construction means that most of the damaging UV radiation is reflected away. In addition, LED lights are installed in the interiors to provide illumination without risk of UV exposure.



Pleasant Illumination with Energy Efficient LED Lighting

Integrated LED lights in our wine cabinet interiors ensure pleasant illumination and provide an optimum view of your wine collection. LED lighting is energy efficient and emits less heat than conventional neon lighting, hence it does not influence the interior temperature.



Low Vibration Environment to Minimise Damage

Specially developed compressors provide a low vibration environment for your wine bottles. Coupled with our natural, handcrafted beechwood shelves, you can be rest assured that your exclusive collections are protected from any harmful vibrations.



Intuitive Navigation via LCD Display

Our touch electronic control system is easy to navigate and enables tailored storage options. Temperature can be set between +5°C and +20°C based on your preference. In our multi-temperature models, each wine safe can be controlled independently, with a temperature range of +5°C and +20°C, allowing different types of wine to be stored in one wine cabinet.

Vinidor Wine Cabinets



WTes 5872



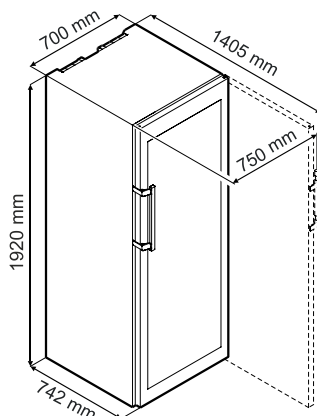
WTes 5972

Energy consumption in 365 days/24 h*	245 / 0.671 kWh
Max. no. of Bordeaux bottles (0.75 litre)	178
Frequency / Voltage	50 Hz / 220-240 V-
Connection rating	1.5 A
Door	Insulated glazed door, stainless steel frame
Side walls	Stainless steel
Temperature zones	3
Temperature range	+5°C to +20°C
Type of control	LCD display, internal digital
Forced air system	FreshAir activated charcoal filter
Interior light	LED, dimmable
Child proof function	Yes
Fault: warning signal	Visual and audible
Door open: warning sign	Audible
Shelf material	Beech wood
Total no. of storage shelves (incl. bottom compartment)	13
Pull-out shelves on telescopic rails	10
Presentation shelves	1
Door hinges	Right, reversible
Lock	Fitted
Product dimensions (H/W/D)	192 / 70 / 74.2 cm

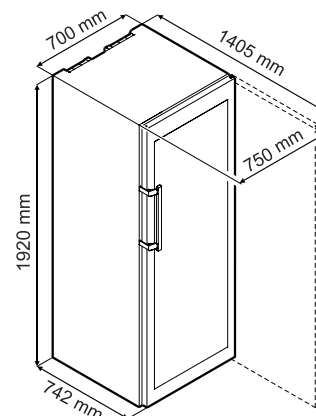
Energy consumption in 365 days/24 h*	248 / 0.679 kWh
Max. no. of Bordeaux bottles (0.75 litre)	211
Frequency / Voltage	50 Hz / 220-240 V-
Connection rating	1.0 A
Door	Insulated glazed door, stainless steel frame
Side walls	Stainless steel
Temperature zones	2
Temperature range	+5°C to +20°C
Type of control	LCD display, internal digital, internal digital
Forced air system	FreshAir activated charcoal filter
Interior light	LED, dimmable
Child proof function	Yes
Fault: warning signal	Visual and audible
Door open: warning sign	Audible
Shelf material	Beech wood
Total no. of storage shelves (incl. bottom compartment)	10
Pull-out shelves on telescopic rails	8
Presentation shelves	1
Door hinges	Right, reversible
Lock	Fitted
Product dimensions (H/W/D)	192 / 70 / 74.2 cm



Diagram

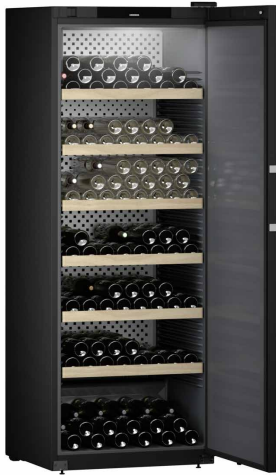


Diagram



*= Measurements taken at +25°C ambient and +12°C interior temperature tested by Liebherr Germany (not to Australian standards).

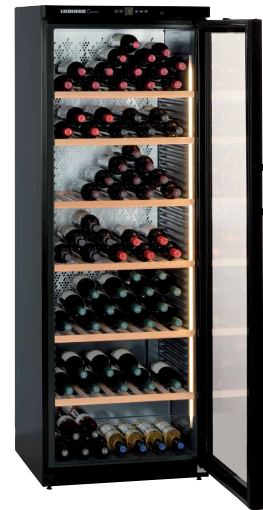
GrandCru Wine Cabinets



WSbl 7731

Energy consumption in 365 days/24 h*	77 / 0.211 kWh
Max. no. of Bordeaux bottles (0.75 litre)	324
Frequency / Voltage	50 Hz / 220-240 V-
Connection rating	1.5 A
Door	Full door, black
Side walls	Black
Temperature zones	1
Temperature range	+5°C to +20°C
Type of control	LCD Touch Control, external digital
Forced air system	FreshAir activated charcoal filter
Interior light	LED
Child proof function	Yes
Fault: warning signal	Visual and audible
Door open: warning sign	Audible
Shelf material	Beech wood
Total no. of storage shelves (incl. bottom compartment)	7
Pull-out shelves on telescopic rails	-
Presentation shelves	-
Door hinges	Right, reversible
Lock	Fitted
Product dimensions (H/W/D)	204.4 / 75.0 / 76.3 cm

Barrique Wine Cabinets

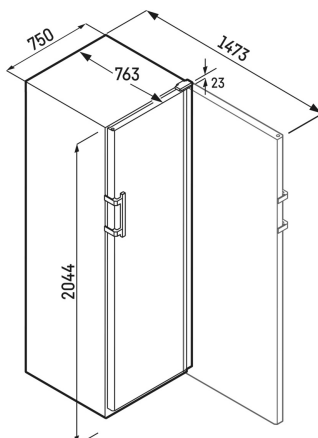


WKb 4612

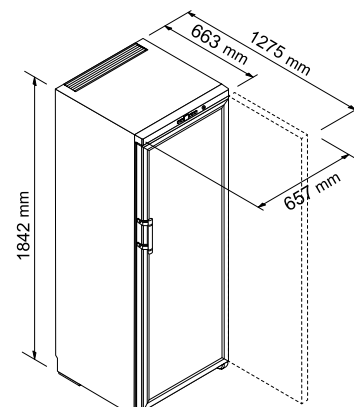
Energy consumption in 365 days/24 h*	204 / 0.559 kWh
Max. no. of Bordeaux bottles (0.75 litre)	195
Frequency / Voltage	50 Hz / 220-240 V-
Connection rating	1.0 A
Door	Insulated glazed door, black frame
Side walls	Black
Temperature zones	1
Temperature range	+5°C to +20°C
Type of control	MagicEye, external digital
Forced air system	FreshAir activated charcoal filter
Interior light	LED
Child proof function	Yes
Fault: warning signal	Visual and audible
Door open: warning sign	Audible
Shelf material	Beech wood
Total no. of storage shelves (incl. bottom compartment)	7
Pull-out shelves on telescopic rails	-
Presentation shelves	1
Door hinges	Right, reversible
Lock	Fitted
Product dimensions (H/W/D)	184.2 / 65.7 / 66.3 cm



Diagram



Diagram



*= Measurements taken at +25°C ambient and +12°C interior temperature tested by Liebherr Germany (not to Australian standards).

Liebherr Barrique Wine Cabinets



WKb 4611



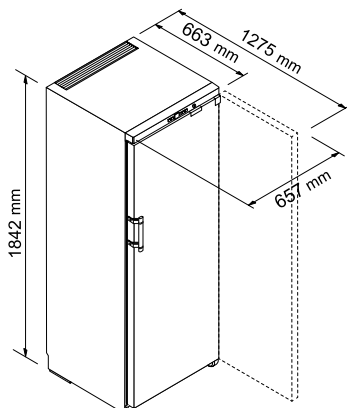
WKgb 4113

Energy consumption in 365 days/24 h*	175 / 0.479 kWh
Max. no. of Bordeaux bottles (0.75 litre)	195
Frequency / Voltage	50 Hz / 220-240 V~
Connection rating	1.0 A
Door	Full door, black
Side walls	Black
Temperature zones	1
Temperature range	+5°C to +20°C
Type of control	MagicEye, external digital
Forced air system	FreshAir activated charcoal filter
Interior light	Bulb
Child proof function	Yes
Fault: warning signal	Visual and audible
Door open: warning sign	Audible
Shelf material	Beech wood
Total no. of storage shelves (incl. bottom compartment)	7
Pull-out shelves on telescopic rails	-
Presentation shelves	-
Door hinges	Right, reversible
Lock	Fitted
Product dimensions (H/W/D)	184.2 / 65.7 / 66.3 cm

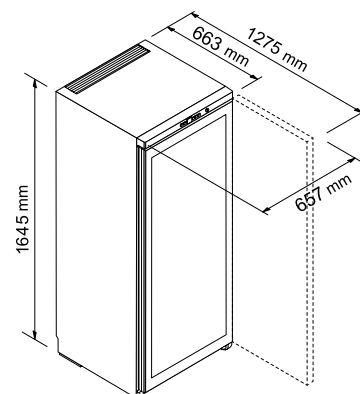
Energy consumption in 365 days/24 h*	204 / 0.558 kWh
Max. no. of Bordeaux bottles (0.75 litre)	168
Frequency / Voltage	50 Hz / 220-240 V~
Connection rating	1.0 A
Door	Full glass door with heating function
Side walls	Black
Temperature zones	1
Temperature range	+5°C to +20°C
Type of control	MagicEye, external digital
Forced air system	FreshAir activated charcoal filter
Interior light	LED
Child proof function	Yes
Fault: warning signal	Visual and audible
Door open: warning sign	Audible
Shelf material	Beech wood
Total no. of storage shelves (incl. bottom compartment)	6
Pull-out shelves on telescopic rails	-
Presentation shelves	1
Door hinges	Right
Lock	Fitted
Product dimensions (H/W/D)	164.5 / 65.7 / 66.3 cm



Diagram

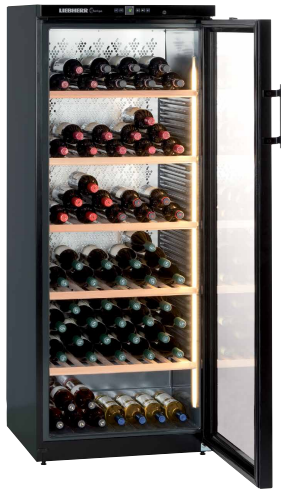


Diagram



*= Measurements taken at +25°C ambient and +12°C interior temperature tested by Liebherr Germany (not to Australian standards).

Liebherr Barrique Wine Cabinets



WKb 4112

Energy consumption in 365 days/24 h*	178 / 0.487 kWh
Max. no. of Bordeaux bottles (0.75 litre)	168
Frequency / Voltage	50 Hz / 220-240 V-
Connection rating	1.0 A
Door	Insulated glazed door, black frame
Side walls	Black
Temperature zones	1
Temperature range	+5°C to +20°C
Type of control	MagicEye, external digital
Forced air system	FreshAir activated charcoal filter
Interior light	LED
Child proof function	Yes
Fault: warning signal	Visual and audible
Door open: warning sign	Audible
Shelf material	Beech wood
Total no. of storage shelves (incl. bottom compartment)	6
Pull-out shelves on telescopic rails	-
Presentation shelves	1
Door hinges	Right, reversible
Lock	Fitted
Product dimensions (H/W/D)	164.5 / 65.7 / 66.3 cm

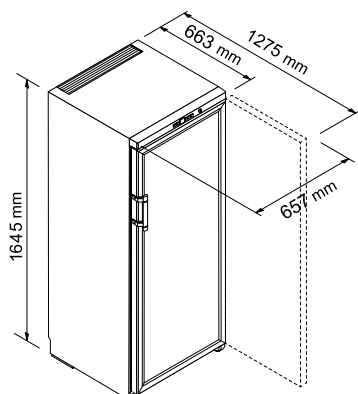


WKb 1712

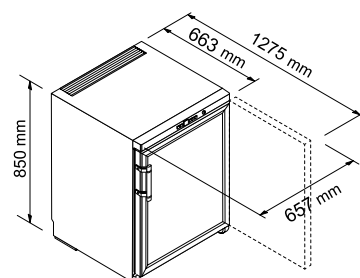
Energy consumption in 365 days/24 h*	149 / 0.408 kWh
Max. no. of Bordeaux bottles (0.75 litre)	63
Frequency / Voltage	50 Hz / 220-240 V-
Connection rating	1.0 A
Door	Insulated glazed door, black frame
Side walls	Black
Temperature zones	1
Temperature range	+5°C to +20°C
Type of control	MagicEye, external digital
Forced air system	FreshAir activated charcoal filter
Interior light	LED
Child proof function	Yes
Fault: warning signal	Visual and audible
Door open: warning sign	Audible
Shelf material	Beech wood
Total no. of storage shelves (incl. bottom compartment)	3
Pull-out shelves on telescopic rails	-
Presentation shelves	-
Door hinges	Right, reversible
Lock	Fitted
Product dimensions (H/W/D)	85 / 65.7 / 66.3 cm



Diagram



Diagram



*= Measurements taken at +25°C ambient and +12°C interior temperature tested by Liebherr Germany (not to Australian standards).



LIEBHERR Barrique



For more information please visit us at:



Andi-Co Australia

Head Office

1 Stamford Road, Oakleigh Victoria 3166

E-mail: sales@andico.com.au | Tel: 1800 685 899



Visit our social media channels at
socialmedia.home.liebherr.com

home.liebherr.com.au