



## Installation Guide

Quality, Design and Innovation



[home.liebherr.com/fridge-manuals](http://home.liebherr.com/fridge-manuals)



# LIEBHERR

# General safety instructions

## Contents

<b>1</b>	<b>General safety instructions.....</b>	<b>2</b>
<b>2</b>	<b>Installation conditions.....</b>	<b>3</b>
2.1	Location.....	3
2.2	Building the appliance into kitchen units.....	3
2.3	Installing multiple appliances.....	4
2.4	Mains connection.....	4
<b>3</b>	<b>Installation dimensions.....</b>	<b>5</b>
<b>4</b>	<b>Ventilation requirements.....</b>	<b>5</b>
<b>5</b>	<b>Connection dimensions for the power supply.....</b>	<b>5</b>
<b>6</b>	<b>Transporting appliance.....</b>	<b>5</b>
<b>7</b>	<b>Unpacking the appliance.....</b>	<b>6</b>
<b>8</b>	<b>Mounting wall spacers.....</b>	<b>6</b>
<b>9</b>	<b>Setting up the appliance.....</b>	<b>6</b>
<b>10</b>	<b>Setting up the appliance so that it is level.....</b>	<b>6</b>
<b>11</b>	<b>After setting up.....</b>	<b>6</b>
<b>12</b>	<b>Disposing of packaging.....</b>	<b>6</b>
<b>13</b>	<b>Door hinge change.....</b>	<b>7</b>
13.1	Removing the top door.....	7
13.2	Removing the bottom door.....	8
13.3	Moving the upper bearing parts to the other side.	8
13.4	Moving the central bearing parts to the other side.....	9
13.5	Moving the lower bearing parts to the other side..	9
13.6	Moving the door bearing parts to the other side....	10
13.7	Fitting the bottom door.....	12
13.8	Fitting the top door.....	12
13.9	Aligning the doors.....	12
13.10	Fitting the covers.....	12
<b>14</b>	<b>Connecting the appliance to the power supply....</b>	<b>13</b>

The manufacturer is continually working on the further development of all types and models. Please be aware that we reserve the right to make changes to the shape, equipment and technology.



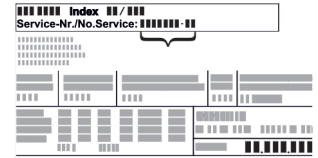




Symbol	Explanation
	<b>Read instructions</b> Please read the information in these instructions carefully to understand all of the benefits of your new appliance.
	<b>Additional information on the Internet</b> The digital manual with additional information and in other languages can be found via the QR code on the front of the manual or by entering the service number at <a href="http://home.liebherr.com/fridge-manuals">home.liebherr.com/fridge-manuals</a> . The service number can be found on the serial tag: 
	<b>Check appliance</b> Check all parts for transport damage. If you have any complaints, please contact your agent or customer service.

Fig. Example illustration

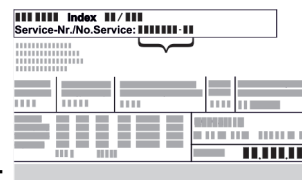
Symbol	Explanation
	<b>Differences</b> These instructions apply to a range of models, so differences are possible. Sections that apply to certain models only are marked with an asterisk (*).
	<b>Instructions and results</b> Instructions are marked with a ▶. Results are marked with a ▷.
	<b>Videos</b> Videos about the appliances are available on the YouTube channels of Liebherr-Hausgeräte.

### Open source licences:

The appliance contains software components that use open source licences. Information on the open source licences used can be found here: [home.liebherr.com/open-source-licences](http://home.liebherr.com/open-source-licences)


## 1 General safety instructions



- Please keep this assembly manual in a safe place so you can refer back to it at any time.
- If you pass the appliance on, please hand this assembly manual to the next user.
- Read this assembly manual carefully before installation and use to ensure safe and correct use of the appliance. Follow the instructions, safety instructions and warning messages included at all times. They are important for ensuring you can operate and install the appliance safely and without any problems.
- First read the general safety instructions in the “General safety instructions” section of the **operating instructions**, which accompany these installation instructions, and follow them. If you cannot find the **operating instructions**, you can download the **operating instructions** from the internet by entering the service number at [home.liebherr.com/fridge-manuals](http://home.liebherr.com/fridge-manuals). The service number can be found on the serial



tag:

- **Observe the warning messages and other detailed information in the other sections when installing the appliance:**

	<b>DANGER</b>	identifies a situation involving direct danger which, if not obviated, may result in death or severe bodily injury.
---	---------------	---

	WARNING	identifies a dangerous situation which, if not obviated, may result in death or severe bodily injury.
	CAUTION	identifies a dangerous situation which, if not obviated, may result in minor or medium bodily injury.
	NOTICE	identifies a dangerous situation which, if not obviated, may result in damage to property.
	Note	identifies useful instructions and tips.

- If the appliance is placed directly next to an oven, the energy consumption may increase slightly. This is dependent on the service life and usage intensity of the oven.
- Install the appliance with the rear panel up against the wall and always use the supplied wall spacers (see below).

## 2.2 Building the appliance into kitchen units

You can install kitchen cabinets around the appliance.

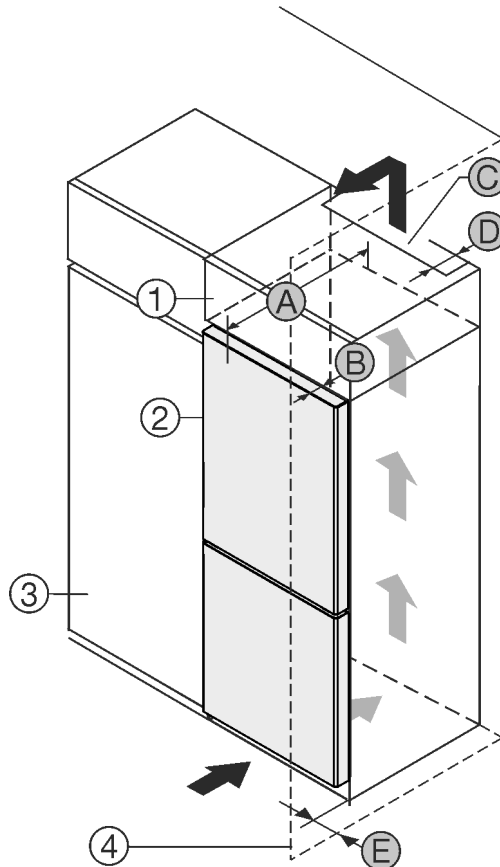


Fig. 1

- (1) Top cupboard
- (2) Appliance
- (3) Kitchen cabinet
- (4) Wall
- (A) Appliance depth
- (B) Door depth
- (C) Ventilation cross section
- (D) Distance to the back of the appliance
- (E) Distance to the side of the appliance

You can place the appliance directly beside the kitchen cabinet Fig. 1 (3).

There must be a ventilation shaft at the depth Fig. 1 (D) of the back of the top cupboard over the entire width of the top cupboard.

The ventilation cross-section Fig. 1 (C) must be maintained under the ceiling.

If the appliance is set up with the hinges next to a wall Fig. 1 (4), the distance between the appliance and the wall must be at least 13 mm .

If the appliance is set up with the hinges next to a wall Fig. 1 (4), the distance between the appliance and the wall must be at least 20 mm .

## 2 Installation conditions

### WARNING

Fire hazard due to dampness!

If live parts or the mains lead become damp this may cause short circuits.

- ▶ The appliance is designed for use in enclosed areas. Do not operate the appliance outdoors or in areas where it is exposed to splash water or damp conditions.

Intended use

- Install and use the appliance in indoor spaces only.

### 2.1 Location

#### WARNING

Leaking coolant and oil!

Fire. The coolant contained in the appliance is eco-friendly, but also flammable. The oil contained in the appliance is flammable. Escaping coolant and oil can ignite if the concentration is high enough and in contact with an external heat source.

- ▶ Do not damage the pipelines of the coolant circuit and the compressor.

- If the appliance is installed in a very humid environment, condensation can build up on the outside of the unit. Always ensure good airflow and ventilation in the installation location.
- The more refrigerant there is in the appliance, the larger the space that it is installed in must be. If the space is too small, any leak may create a flammable mixture of gas and air. For every 8 g of refrigerant, the installation space must be at least 1 m<sup>3</sup> . Information regarding the coolant can be found on the serial tag inside the appliance.

#### 2.1.1 Supporting floor

- The floor of the installation site must be horizontal and even.
- The surface supporting the appliance must be at the same level as the surrounding floor.

#### 2.1.2 Positioning

- Do not place the appliance in direct sunlight or near radiators or similar sources of heat.
- You can place the appliance directly next to an oven.

# Installation conditions

In order to be able to fully open the door, the appliance must protrude by the depth of the door *Fig. 1 (B)* from the front of the kitchen cabinet. The appliance may protrude further depending on the depth of the kitchen cabinets *Fig. 1 (3)* and whether wall spacers are used.

Appliances without handle / with recessed grip:	
A	675 mm <sup>x</sup>
B	75 mm
C	Min. 300 cm <sup>2</sup>
D	Min. 50 mm
E	Min. 13 mm

<sup>x</sup> The use of wall spacers increases the dimensions by 15 mm (see 8 Mounting wall spacers) .

Appliances with recessed grip and glass/stone front:	
A	682 mm <sup>x</sup>
B	82 mm
C	Min. 300 cm <sup>2</sup>
D	Min. 50 mm
E	Min. 20 mm

<sup>x</sup> The use of wall spacers increases the dimensions by 15 mm (see 8 Mounting wall spacers) .

Ensure that the following conditions are met:

- Recess dimensions are adhered to .
- Ventilation requirements are complied with (see 4 Ventilation requirements) .

## 2.3 Installing multiple appliances

The appliances have been developed for different installation methods. If you wish to install several appliances next to each other or on top of each other, ensure that the following requirements are met:

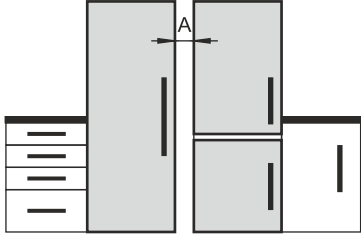
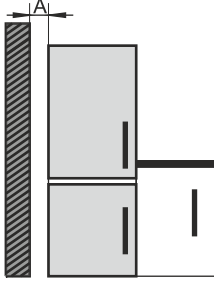
- Only install appliances next to or on top of each other if they have been developed for this.
- Observe notices and the following table.

### NOTICE

Risk of damage due to condensate!

- ▶ Do not place the appliance directly next to another cooling/refrigeration unit.

Model	Installation method
All models	Standalone
Models with model designation starting with <b>S</b> ....	Side-by-Side (SBS)

Model	Installation method
Models without side wall heating	 <p><b>Next to each other:</b> Install with gap <b>A</b> of 70 mm between the appliances. If you do not comply with this gap, condensation will form on the side walls between the appliances.</p>  <p><b>On an exterior wall:</b> Install with gap <b>A</b> as with installation next to each other. If you do not comply with this gap, condensation may form on the appliance's side wall.</p>

### Models and their installation method

Assemble the appliances according to the separate installation instructions.

## 2.4 Mains connection



### WARNING

Danger of fire due to incorrect positioning!

If the mains cable or plug touches the back of the appliance, the vibration can damage the mains cable or the plug resulting in a short circuit.

- ▶ Make sure the mains cable is not trapped under the appliance when you position the appliance.
- ▶ Stand the appliance so that it is not touched by connectors or main cables.
- ▶ Do not connect any appliances to sockets in the area of the back of the appliance.
- ▶ Do **not** place and operate multi-sockets/power distributors and other electronic devices (such as halogen transformers) at the back of the appliances.

## 3 Installation dimensions

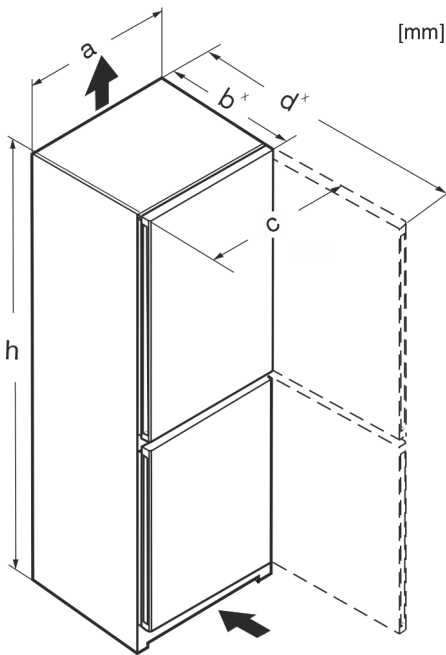


Fig. 2

	h	a	b	c	d
CN... 50..	1655	597	675 <sup>x</sup>	609	1217 <sup>x</sup>
CN... 52..	1855	597	675 <sup>x</sup>	609	1217 <sup>x</sup>
KGNeFc 1863	1855	597	675 <sup>x</sup>	609	1217 <sup>x</sup>
KGNsdc 52Z03	1855	597	675 <sup>x</sup>	609	1217 <sup>x</sup>
KGNC 52Z03	1855	597	675 <sup>x</sup>	609	1217 <sup>x</sup>
KGnbdc 52Z23	1855	597	675 <sup>x</sup>	609	1217 <sup>x</sup>
CN... 57..	2015	597	675 <sup>x</sup>	609	1217 <sup>x</sup>
KGNeFc 2063	2015	597	675 <sup>x</sup>	609	1217 <sup>x</sup>
KGNSf 57Va03	2015	597	675 <sup>x</sup>	609	1217 <sup>x</sup>
KGNsdc 57Z03	2015	597	675 <sup>x</sup>	609	1217 <sup>x</sup>
CNgw... 57..	2015	597	682 <sup>x</sup>	609	1217 <sup>x</sup>
CBN... 52..(i)	1855	597	675 <sup>x</sup>	609	1217 <sup>x</sup>
CBN... 57..(vi) (i)	2015	597	675 <sup>x</sup>	609	1217 <sup>x</sup>
CBNdmy 5723 II3	2015	597	675 <sup>x</sup>	609	1217 <sup>x</sup>
CBNcmy 572i II2	2015	597	675 <sup>x</sup>	609	1217 <sup>x</sup>
CN... 76..	1855	747	675 <sup>x</sup>	759	1367 <sup>x</sup>
CN... 77..	2015	747	675 <sup>x</sup>	759	1367 <sup>x</sup>

<sup>x</sup> For appliances with supplied wall spacers, the dimensions must be increased by 15 mm (see 8 Mounting wall spacers) .

## 4 Ventilation requirements

### NOTICE

Danger of overheating due to insufficient air ventilation! The compressor may be damaged if there is insufficient air ventilation.

- ▶ Take care to ensure adequate air ventilation.
- ▶ Observe the ventilation requirements.

If the appliance is integrated into a fitted kitchen, the following ventilation requirements must be adhered to:

- As a rule, the larger the ventilation space the more efficiently the appliance can run.

## 5 Connection dimensions for the power supply

The connection to the power supply is on the rear of the appliance. To connect your appliance safely, ensure that the following requirements are met:

- Dimensions for the connection to the power supply are known and are adhered to. See table below.
- Connection to the power supply according to the instructions. (see 14 Connecting the appliance to the power supply)

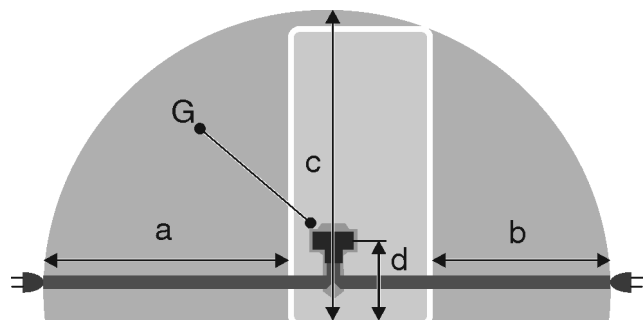


Fig. 3 Fridge/freezer combinations / freezers / full-capacity BioFresh appliances

- (a) Maximum available length of the mains connection cable
- (b) Maximum available length of the mains connection cable
- (c) Maximum available vertical length of the mains connection cable
- (d) Gap between appliance plug and floor
- (G) Appliance plug

For 600 mm wide appliances:*	
a	~ 1800 mm
b	~ 1400 mm
c	~ 2100 mm
d	~ 200 mm

For 750 mm wide appliances:*	
a	~ 1725 mm
b	~ 1325 mm
c	~ 2100 mm
d	~ 200 mm

## 6 Transporting appliance

### Note when transporting the appliance:

- ▶ Transport the appliance upright.
- ▶ Use two people to transport the appliance.

### During first use:

- ▶ Transport the appliance packaged.

### When transporting appliances after initial commissioning (e. g. moving or cleaning):

- ▶ Empty the appliance.
- ▶ Secure the door against unintentional opening.

# Unpacking the appliance

## 7 Unpacking the appliance

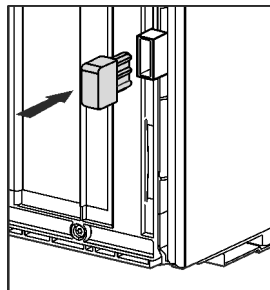
Before you connect the appliance, report any damage immediately to the delivery company.

- ▶ Check the appliance and the packaging for damage during transport. Contact the supplier immediately if you suspect any level of damage.
- ▶ Remove all materials from the back or the side walls of the appliance that may prevent proper installation or ventilation.
- ▶ Remove all protective films from the appliance. Do not use sharp or pointed objects for this.
- ▶ Take the power cable from the rear of the appliance. Remove the cable brackets when you do this, otherwise there will be noise caused by vibrations!

## 8 Mounting wall spacers

With wall spacers, your device achieves the declared energy consumption and no condensation forms in high ambient humidity. The device is fully functional without the spacer brackets, but its energy consumption will be slightly higher.

If you insert the wall spacers, then the device depth increases by approx. 15 mm.



- ▶ Appliance with enclosed wall spacers: Insert the wall spacers on the rear of the appliance at the bottom left and right.

## 9 Setting up the appliance



### CAUTION

Risk of injury due to heavy appliance!

- ▶ Have two people transport the appliance to its installation site.



### WARNING

Risk of fire due to short circuit!

- ▶ When you set the appliance up: do not kink, jam or damage the mains cable.
- ▶ The appliance must not be operated with a defective mains cable.



### WARNING

Danger of injury and damage due to the appliance being unstable!

The appliance can topple over.

- ▶ Secure the appliance as described in the instructions.



### WARNING

Fire hazard and danger of damage!

- ▶ Do not place appliances emitting heat e.g. microwaves, toasters etc. on the appliance!

Ensure that the following conditions are met:

- Only move the device when it is not loaded.
- Only install the appliance with help.

## 10 Setting up the appliance so that it is level

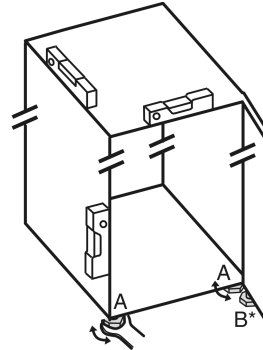


Fig. 4

- ▶ Unscrew the adjustable feet Fig. 4 (A) using the enclosed open-end spanner and a spirit level until the appliance is firmly aligned and level.



### CAUTION

Risk of injury or damage from the appliance tipping or the door falling open!\*

If the additional adjustable foot on the base support is not correctly positioned on the floor, there is a risk of the door falling open or the appliance tipping. This can lead to injury or property damage.

- ▶ Unscrew the additional adjustable foot on the swap bearing block as instructed.

- ▶ Unscrew the adjustable foot Fig. 4 (B) on the swap bearing block with the enclosed open-end spanner until it rests on the floor.

- ▶ Turn the adjustable foot Fig. 4 (B) 90° further.

- ▷ The appliance is aligned.

## 11 After setting up

- ▶ Take off the protective film from the exterior of the appliance.
- ▶ Remove all transport safety components.
- ▶ Clean the appliance. (see operating instructions)
- ▶ Note the type (model, number), appliance designation, appliance/serial number, purchase date and dealer's address.

## 12 Disposing of packaging



### WARNING

Danger of suffocation due to packing material and plastic film!

- ▶ Do not allow children to play with packing material.

The packaging is made of recyclable materials:

- corrugated board/cardboard
- expanded polystyrene parts
- polythene bags and sheets
- polypropylene straps
- nailed wooden frame with polyethylene panel\*

- ▶ Take the packaging material to an official collecting point.

## 13 Door hinge change

### Tools

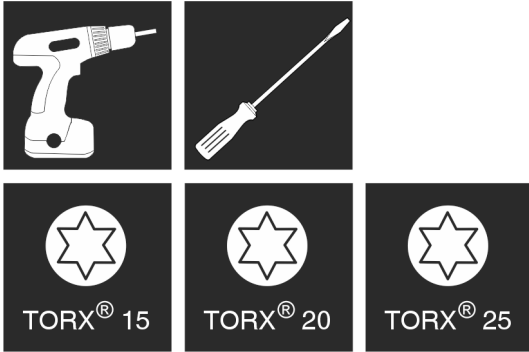


Fig. 5

### NOTICE

Risk of damage due to door collision!  
Damage to the appliances with Side-by-Side positioning. If you set up two appliances next to each other in a specific Side-by-Side arrangement, the door hinge of both appliances is preset at the factory.

- ▶ Side-by-Side positioning: Do not change the door hinge.

These sections apply for appliances **without a soft stop mechanism**:

- For appliances **without** a soft stop mechanism
- For all appliances

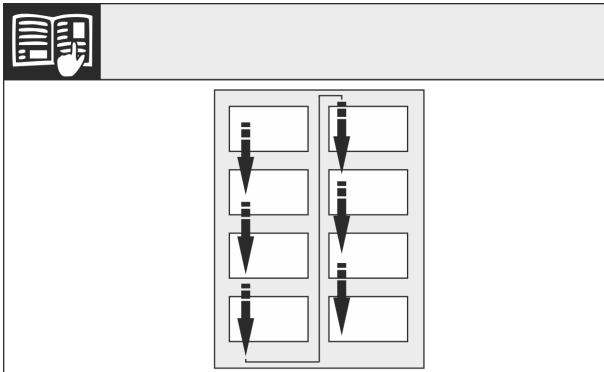


Fig. 6

Remember the reading direction.

### 13.1 Removing the top door

#### Note

- ▶ Remove any food from the door racks before removing the door, so that no food falls out.

**For appliances without a soft stop:**

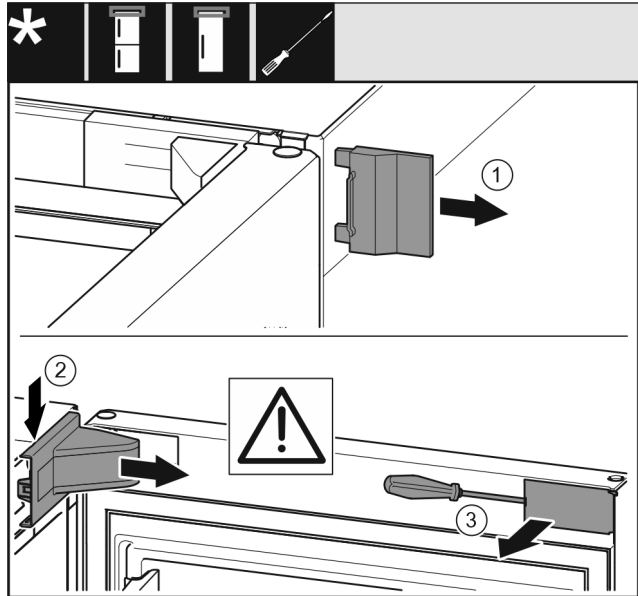


Fig. 7

- ▶ Open the door.

### NOTICE

Risk of damage!  
If the door seal is damaged, the door may fail to close properly and the cooling will be inadequate.

- ▶ Do not damage the door seal with the screwdriver!

- ▶ Remove the outer cover Fig. 7 (1).
- ▶ Disengage and remove the swap bearing block cover Fig. 7 (2).
- ▶ Use a slotted screwdriver to unlatch the trim Fig. 7 (3) and swing it to the side.

**For all appliances:**

## Door hinge change

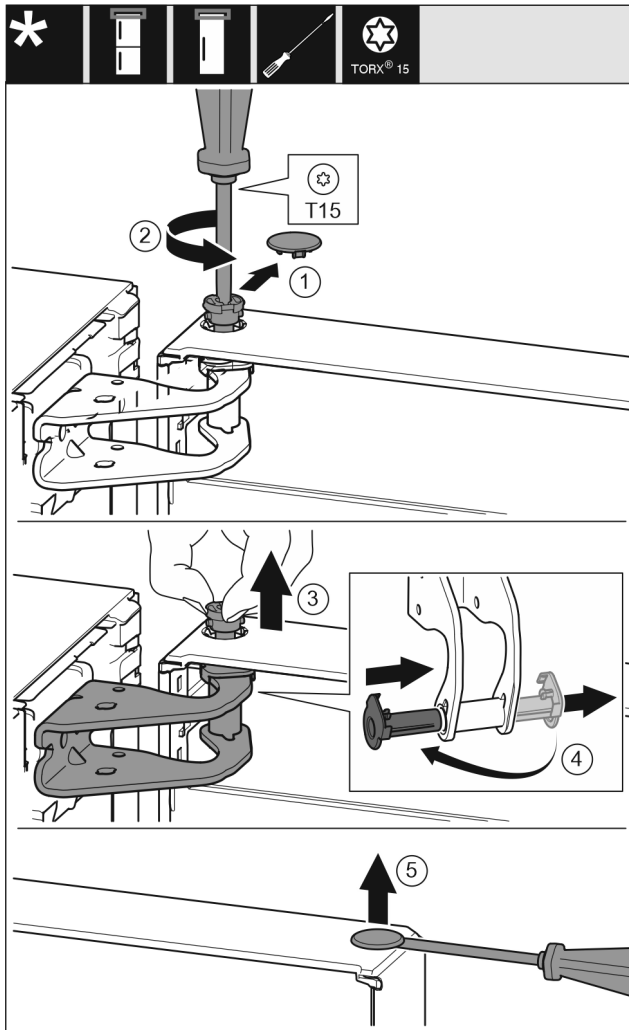


Fig. 8



### CAUTION

Risk of injury if the door tips!

- ▶ Take good hold of the door.
- ▶ Set down the door carefully.

- ▶ Lift the door and place it to one side.

## 13.2 Removing the bottom door

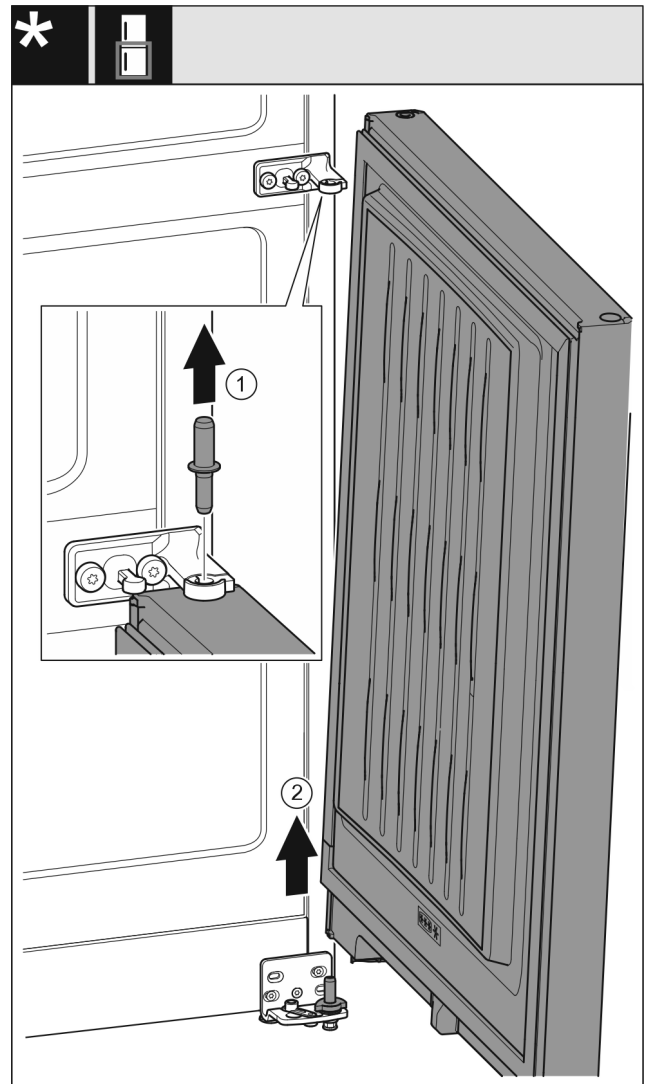


Fig. 9

- ▶ Pull out the bolt Fig. 9 (1) upwards.
- ▶ Swing out the door Fig. 9 (2), pull it upwards and set it aside.



### CAUTION

Risk of injury if the door tips!

- ▶ Take good hold of the door.
- ▶ Set down the door carefully.

## 13.3 Moving the upper bearing parts to the other side

For all appliances:



### WARNING

Danger of injury due to door falling out!

If the bearing parts are not screwed on tightly enough, the door may fall out. This can result in serious injuries. In addition, the door may not close with the result that the appliance does not cool properly.

- ▶ Screw on the bearing brackets/bearing pins tightly with 4 Nm.
- ▶ Check all screws and retighten them if necessary.



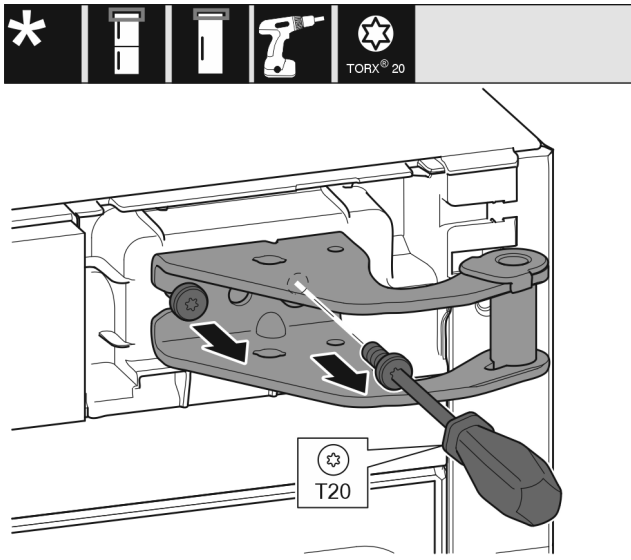


Fig. 10

- ▶ Use screwdriver to unscrew both screws.
- ▶ Lift up and remove the bearing bracket.

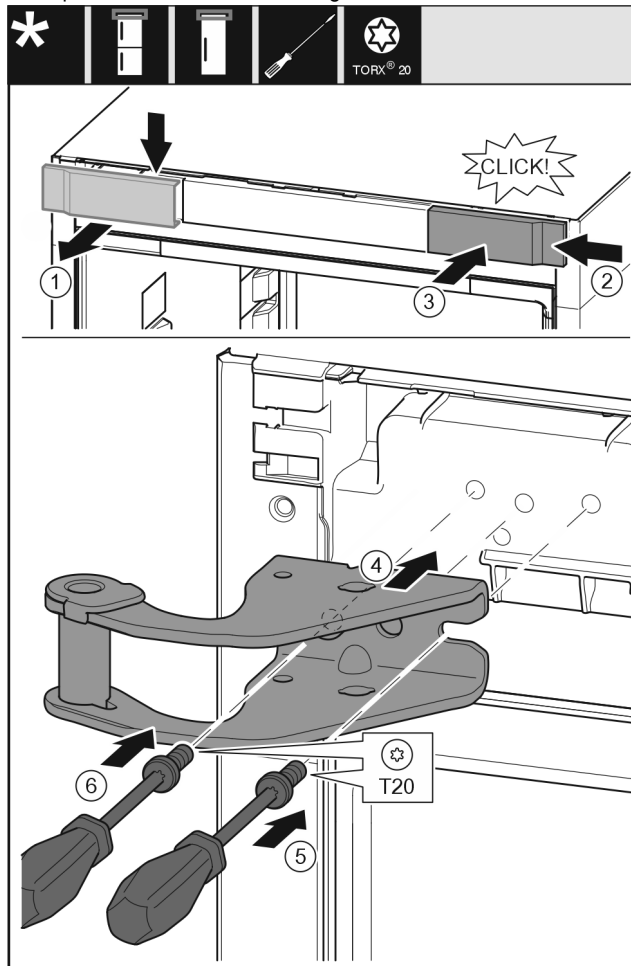


Fig. 11

- ▶ Remove the cover Fig. 11 (1) from above towards the front.
- ▶ Turn the cover Fig. 11 (2) by 180° and attach to the other side from the right.
- ▶ Engage the cover Fig. 11 (3).
- ▶ Place the top swap bearing block Fig. 11 (4).
- ▶ Use screwdriver Fig. 11 (5) to place the screw and tighten it.
- ▶ Use screwdriver Fig. 11 (6) to place the screw and tighten it.

## 13.4 Moving the central bearing parts to the other side



### WARNING

Danger of injury due to door falling out!

If the bearing parts are not screwed on tightly enough, the door may fall out. This can result in serious injuries. In addition, the door may not close with the result that the appliance does not cool properly.

- ▶ Screw on the bearing brackets/bearing pins tightly with 4 Nm.
- ▶ Check all screws and retighten them if necessary.

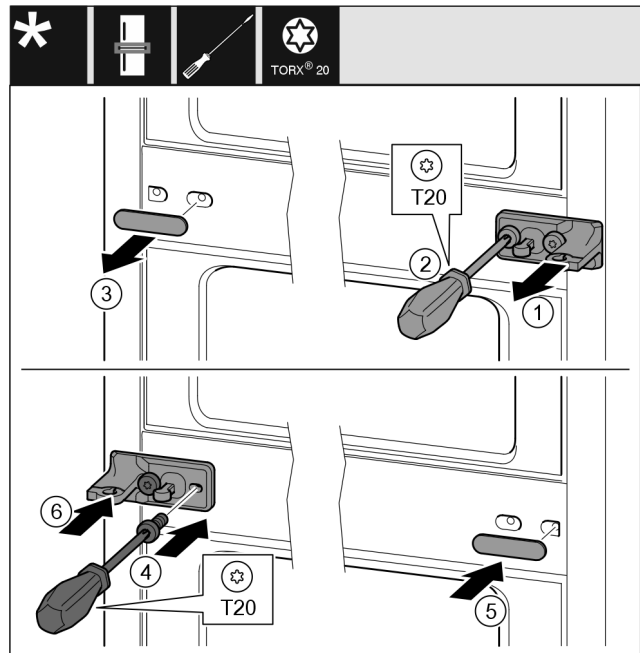


Fig. 12

- ▶ Remove the washer Fig. 12 (1).
- ▶ Unscrew screws Fig. 12 (2) with screwdriver.
- ▶ Remove the cover Fig. 12 (3) carefully.
- ▶ Turn the bearing block with film Fig. 12 (4) by 180° and screw it tight on the other side.
- ▶ Turn the cover Fig. 12 (5) by 180° and attach to the other side.
- ▶ Slide on the washer Fig. 12 (6) from the front.

## 13.5 Moving the lower bearing parts to the other side

For all appliances:



### WARNING

Danger of injury due to door falling out!

If the bearing parts are not screwed on tightly enough, the door may fall out. This can result in serious injuries. In addition, the door may not close with the result that the appliance does not cool properly.

- ▶ Screw on the bearing brackets/bearing pins tightly with 4 Nm.
- ▶ Check all screws and retighten them if necessary.

# Door hinge change

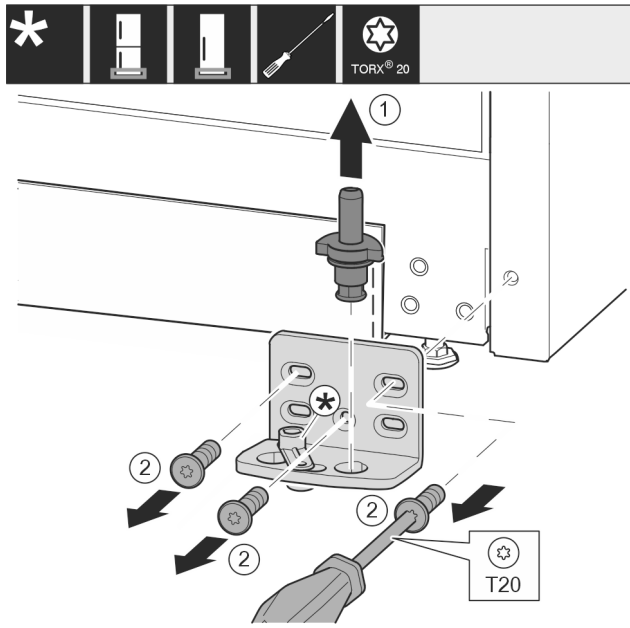


Fig. 13

- ▶ Pull the bearing bolt Fig. 13 (1) out upwards completely.
- ▶ Use screwdriver to unscrew the screws Fig. 13 (2) and remove the swap bearing block.

### For appliances without a soft stop:

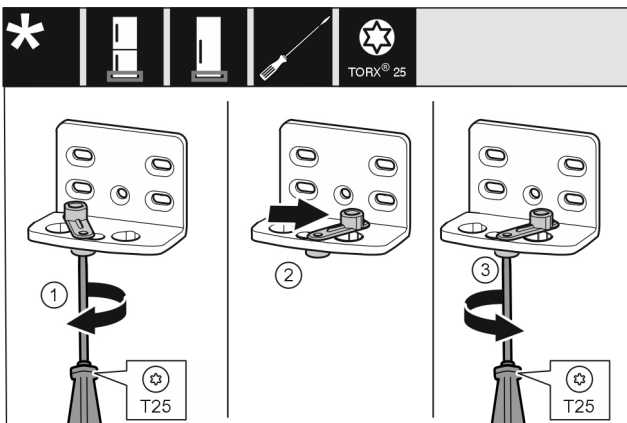


Fig. 14

- ▶ Use screwdriver to loosen the screw Fig. 14 (1).
- ▶ Lift the door closing aid Fig. 14 (2) and turn 90° clockwise in the hole.
- ▶ Tighten screw Fig. 14 (3) with screwdriver.

### For all appliances:

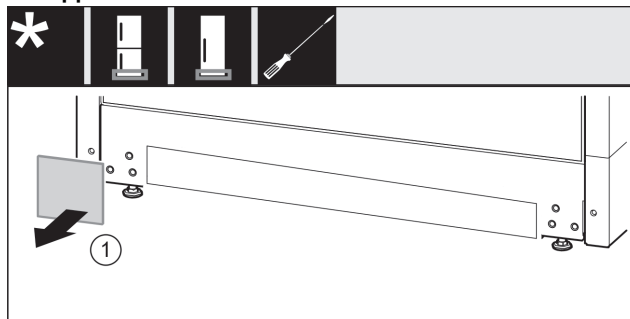


Fig. 15

- ▶ Remove cover Fig. 15 (1).

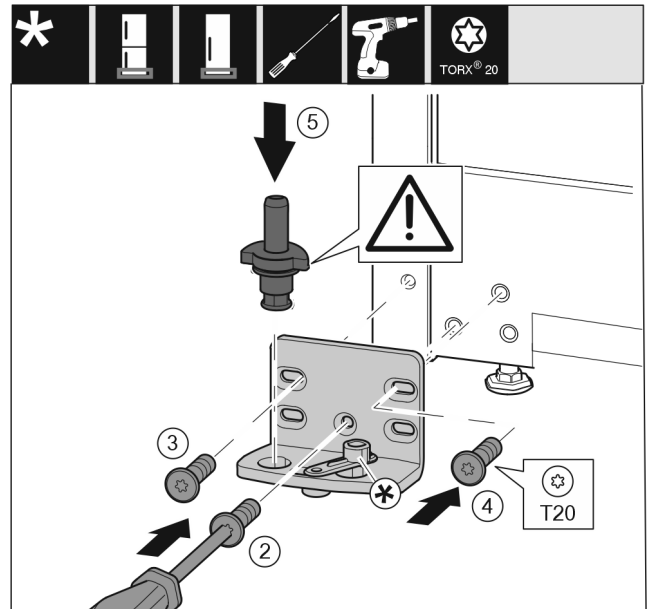


Fig. 16

- ▶ Place the swap bearing block on the other side and use a screwdriver to screw it on. Start with the screw Fig. 16 (2) at the bottom in the middle.
- ▶ Tighten screw Fig. 16 (3) and screw Fig. 16 (4).
- ▶ Insert the bearing bolt Fig. 16 (5) completely. Ensure that the latching cam is pointing towards the rear.

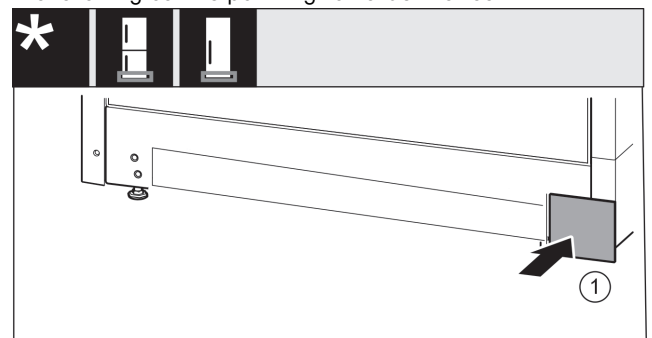


Fig. 17

- ▶ Re-attach the cover Fig. 17 (1) to the other side.

## 13.6 Moving the door bearing parts to the other side

### For appliances without a soft stop:



#### WARNING

Danger of injury due to door falling out!

If the bearing parts are not screwed on tightly enough, the door may fall out. This can result in serious injuries. In addition, the door may not close with the result that the appliance does not cool properly.

- ▶ Screw on the bearing brackets/bearing pins tightly with 4 Nm.
- ▶ Check all screws and retighten them if necessary.

### Bottom of door

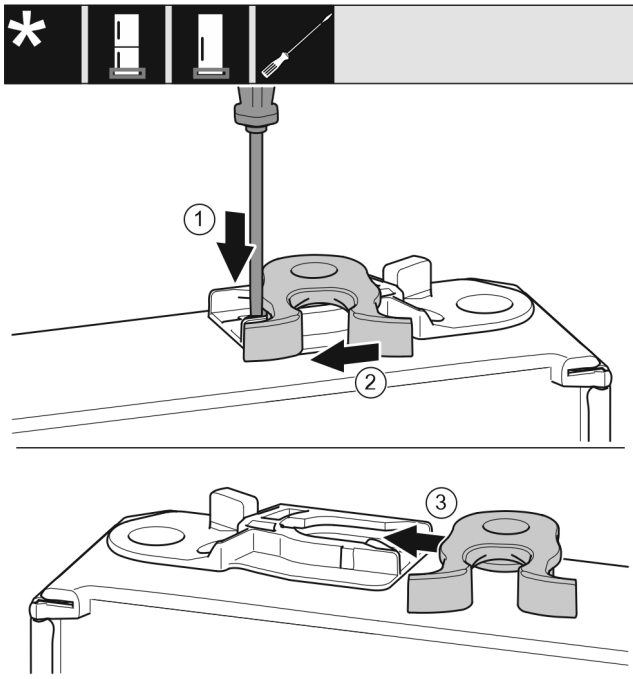


Fig. 18

- ▶ The bottom side of door faces upwards: Turn the door.
- ▶ Use a slotted screwdriver to push the tab Fig. 18 (1) downwards.
- ▶ Pull the closing hook Fig. 18 (2) out of the guide.
- ▶ Insert the closing hook Fig. 18 (3) into the guide on the other side.
- ▶ The upper side of door faces upwards: Turn the door.

### Top of door

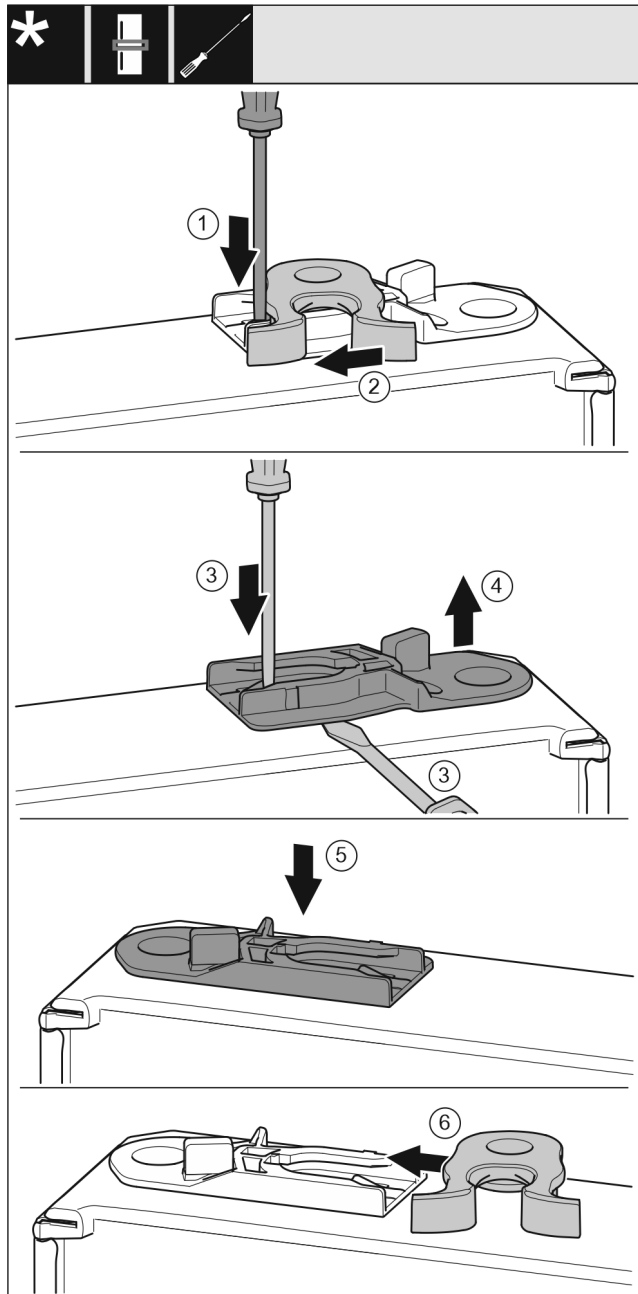


Fig. 19

- ▶ The bottom side of door faces upwards: Turn the door.
- ▶ Use a slotted screwdriver to push the tab Fig. 19 (1) downwards.
- ▶ Pull the closing hook Fig. 19 (2) out of the guide.
- ▶ Pull out the guide bush Fig. 19 (3, 4): Press the tab with a flat-blade screwdriver and at the same time move the flat-blade screwdriver under the guide bush.
- ▶ Insert the guide bush Fig. 19 (5) supplied on the other side of the housing.
- ▶ Slide the closing hook Fig. 19 (6) into the guide.
- ▶ The upper side of door faces upwards: Turn the door.

# Door hinge change

## 13.7 Fitting the bottom door

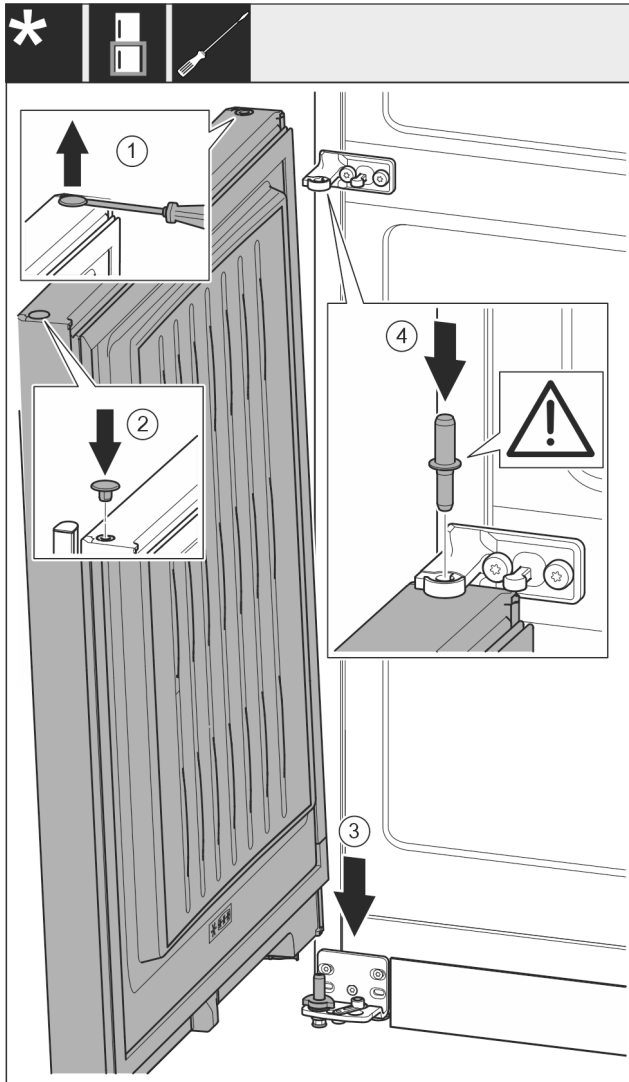


Fig. 20

- ▶ Use a slotted screwdriver to lift the plug Fig. 20 (1) carefully and pull it out.
- ▶ Re-insert the plug Fig. 20 (2) on the other door side.
- ▶ Lower the door Fig. 20 (3) onto the bottom bearing bolt.
- ▶ Insert the centre bearing bolt Fig. 20 (4) through the centre bearing block in the lower door. Ensure that the latching cam is pointing towards the rear.

## 13.8 Fitting the top door

For all appliances:

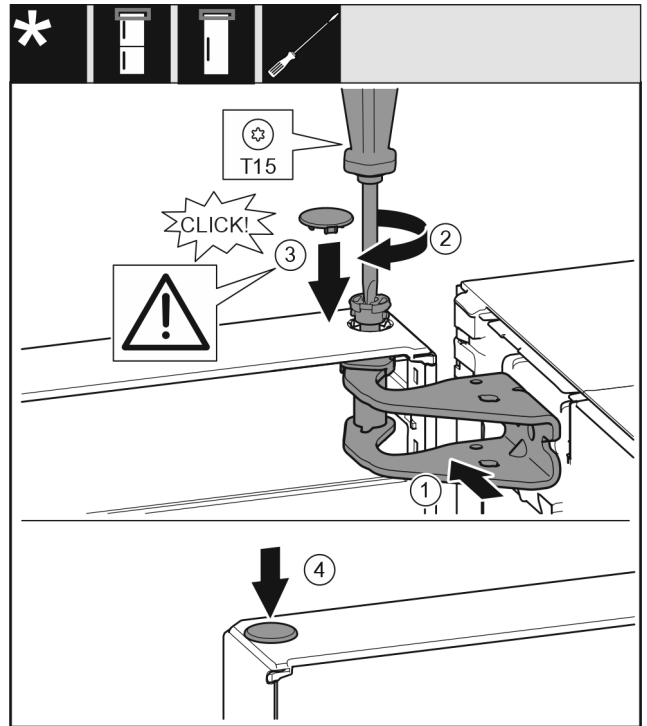


Fig. 21

- ▶ Place the door on the centre bearing pins.
- ▶ Align the top of the door with opening in the bearing bracket. Fig. 21 (1)
- ▶ Insert the bolt Fig. 21 (2) and use screwdriver to tighten it.
- ▶ Fit the safety cover Fig. 21 (3) to secure the door: Insert the safety cover and check whether the door is resting on it. Otherwise, insert the bolt fully.
- ▶ Insert the plug Fig. 21 (4).

## 13.9 Aligning the doors

For all appliances:



### WARNING

Danger of injury due to door falling out!  
If the bearing parts are not screwed on tightly enough, the door may fall out. This can result in serious injuries. In addition, the door may not close with the result that the appliance does not cool properly.

- ▶ Screw the bearing brackets on firmly with 4 Nm.
- ▶ Check all screws and retighten them if necessary.
- ▶ Align the doors flush with the appliance housing using the two slots in the lower bearing bracket and centre bearing bracket if needed. To do this undo the middle screw in the bottom bearing bracket with the T20 tool supplied. Undo the remaining screws a little with the T20 tool or with a T20 screwdriver and align using the slotted holes. Undo the screws in the middle bearing bracket with the T20 tool and align the middle bearing bracket using the slotted holes.
- ▶ Prop up the door: Take off the adjustable foot on the bearing bracket using the open-ended wrench SW10 until it comes into contact with the floor, then turn an additional 90°.

## 13.10 Fitting the covers

For appliances without a soft stop:

# Connecting the appliance to the power supply

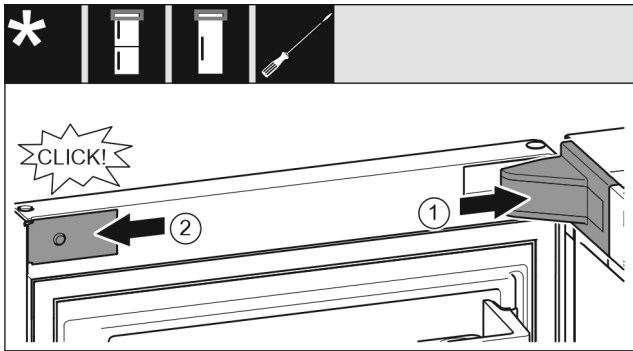


Fig. 22

The door is open 90°.

- ▶ Put the swap bearing block cover Fig. 22 (1) on and engage, push apart carefully if required.
- ▶ Place the trim Fig. 22 (2) on the side and engage.

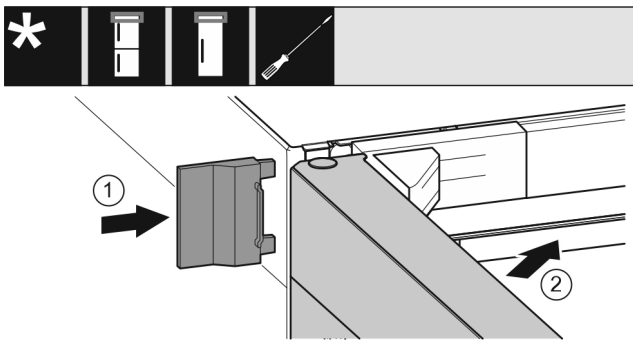


Fig. 23

- ▶ Push the outer cover Fig. 23 (1) on.
- ▶ Close the upper door Fig. 23 (2).

- The fuse tripping current is between 10 A and 16 A.
- The socket is easily accessible and is not behind the appliance. (see 5 Connection dimensions for the power supply)

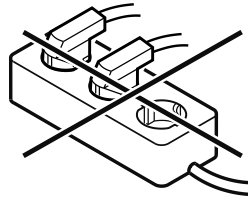


## WARNING

Danger of fire due to incorrect connection!  
Burns.

Damage to the appliance.

- ▶ Do not use an extension cable.
- ▶ Do not use distributor blocks.



## NOTICE

Danger of damage to incorrect connection!  
Damage to the appliance.

- ▶ Do not connect the appliance to a stand-alone inverter, e.g. solar power systems and petrol generators.

- ▶ Connect the mains plug of the power cable to the power supply.

- ▷ The Liebherr logo appears in the display.
- ▷ The display switches to the standby symbol.
- ▷ If no action occurs within 60 seconds: The standby symbol fades or disappears.
- ▷ The appliance is connected. For information regarding first use, see the following section or the operating instructions.

## 14 Connecting the appliance to the power supply



### WARNING

Danger of electric shock and injury due to damaged appliance or damaged mains cable!

Danger of cuts and fatal injuries. If the appliance or the mains cable is damaged during transport, you may be electrocuted. You could also cut yourself on damaged parts of the appliance housing.

- ▶ Check the appliance and the mains cable for damage after transport.
- ▶ Never put the appliance into operation if the appliance or the mains cable are damaged.
- ▶ Contact Customer Service.

Connect your appliance to the mains using the power cable included. The power cable has a mains plug at the free end.

Make sure that the following requirements are fulfilled:

- The appliance and power cable are undamaged.
- The appliance is set up in accordance with the regulations. (see 8 Mounting wall spacers)
- Requirements for the electrical connection are met. (see 2 Installation conditions)
- Dimensions for connection in accordance with regulations are known and observed. (see 5 Connection dimensions for the power supply)
- Mains voltage and frequency correspond to the specifications on the type plate.
- The socket is earthed according to the regulations and fused.



[home.liebherr.com/fridge-manuals](https://home.liebherr.com/fridge-manuals)

**EN** fridge/freezer

Issue date: 20241204

**Part number index: 7086337-01**

Liebherr-Hausgeräte Marica EOOD  
Bezirk Plovdiv  
4202 Radinovo  
Bulgarien