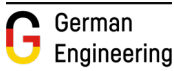


# SCB7760IM

Freestanding / Semi Built-in

# LIEBHERR

## Refrigeration and Freezing



home.liebherr.com



### SCB7760IM

Energy consumption (kWh / y)	445
Estimated Yearly Energy Cost in US \$	62
Sound rating dB(A)	35
Total capacity cu.ft. (l)	16.8 (477)
Refrigerator capacity cu.ft. (l)	7.4 (209)
BioFresh compartment cu. ft. (l)	4.5 (127)
Freezer capacity cu. ft. (l)	4.9 (139)
Electronic control	Touch & swipe display
Defrost type	Automatic
Interior light	LightTower
Number of shelves	4 + Variosafe
Number of door racks	2 + VarioBox
Number of BioFresh drawers	2
Number of freezer drawers	3
Refrigerator Temperature range °F (°C)	37 to 46°F ( 3 to 9°C)
Freezer temperature range °F (°C)	5 to -15°F (-15 to -26°C)
Internal Water Dispenser	No
Water filter	No
IceMaker	Fixed water connection
Ice cube output lbs. (kg)/24h	2.6 (1.2)
Ice cube stock lbs. (kg)	11.9 (5.4)
Door hinges	Right, reversible
<b>Product dimensions</b>	
in inch (H / W / D)	79 3/8 / 29 7/16 / 26 5/8
in cm (H / W / D)	201.5 / 74.5 / 67.5
<b>Cut out dimensions</b>	
in inch (H / W / D)	80 / 30 / 24
in cm (H / W / D)	203.2 / 76.2 / 60.9
Net weight lbs. (kg)	374.8 (170)
Voltage V / Hz	115/60

This model can be installed Side-by-side with model SC7751

\* Energy Cost will depend on utility rates and use. Estimated energy cost based on a national average electricity cost of 14 cents per kWh.

\*\* Noise output – according to EN 60704-3

### Accessories

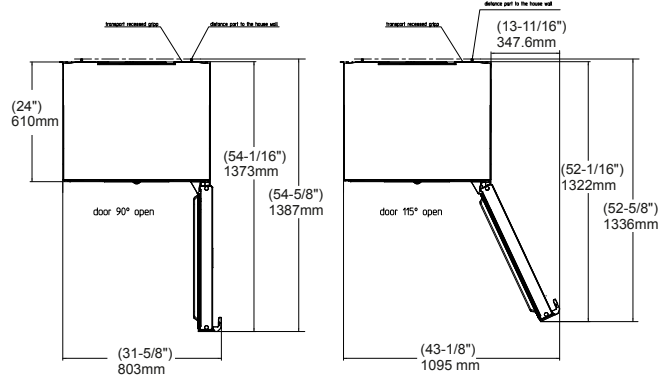
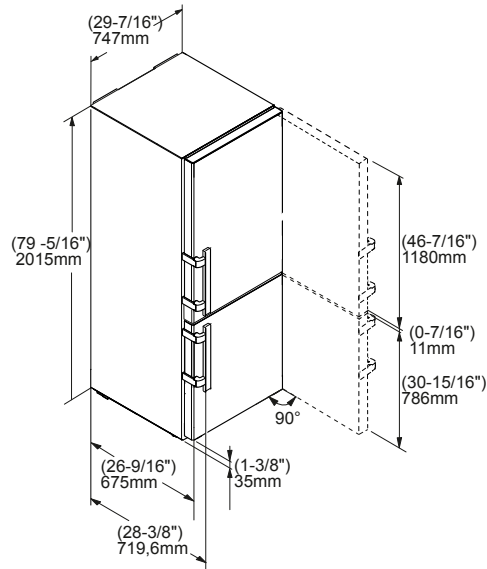
FreshAir activated carbon filter	9882460
Side By Side kit	9905353
60" Top Ventilation grill for Side by Side Installation	9903656
30" Top Ventilation grill	9903844

### Features

- Duo Cooling** DuoCooling independent refrigeration systems provide precise temperature control and superior performance, efficiency and food preservation.
- Bio Fresh** Preserve just-bought groceries for optimum food freshness, while sealing in flavors and maintaining essential vitamins and minerals.
- Power Cooling** The fan – as powerful as it is quiet – distributes the cold air efficiently throughout the entire refrigeration compartment.
- Light Tower** Enjoy an optimally illuminated interior: the LightTower shows off your food and is positioned so that your fully stocked refrigerator is illuminated at all times. The flush mounting of the LightTower in the side walls means there is also more space for your food.
- Fish & Seafood Safe** Love fish? Your Liebherr keeps fish fresh! The Fish & Seafood Safe stores fish and seafood at the optimum temperature of 28° F (-2°C) zone as much as you want - and store the remaining meat and dairy products at the optimum 32° F (0 °C).
- Vario Temp** VarioTemp means you have plenty of scope when storing food in your fridge freezer. This is because you can also set the accurate temperature in the freezer compartment in a range between 28°F to 57°F (-2°C to 14°C) – and therefore also use this compartment as a further cooling zone.
- Smart Device Box** Want to be prepared for the future of the Smart Home? The SmartDeviceBox can be installed in just a few steps and will open up the whole world of digital possibilities to you today.

# Diagrams

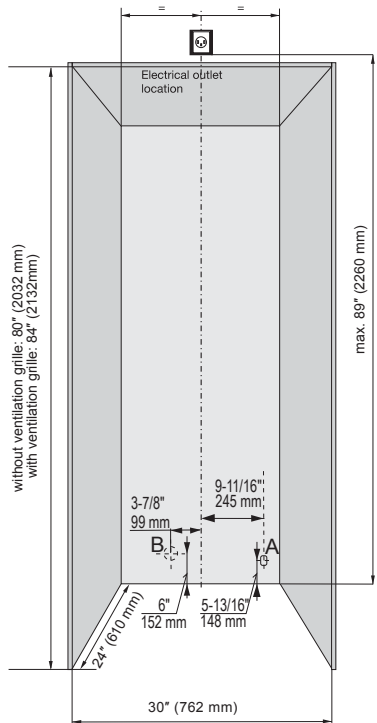
## Product Dimensions



Allow door swing clearance at locations next to a wall. If the appliance is installed with the hinges next to a wall (4), the distance between the appliance and the wall must be at least 1 1/2" (40 mm). This is how far the handle protrudes when the door is open.

The refrigerator door must open to a minimum of 90° to allow the crispers to open and the shelves to be removed. A 90° limiter is available for this model. Height can be increased by 3/8" (10mm) by turning the levelling feet at the front and the height adjustable rollers at the appliance rear.

## Semi built-in look – Cutout Dimensions

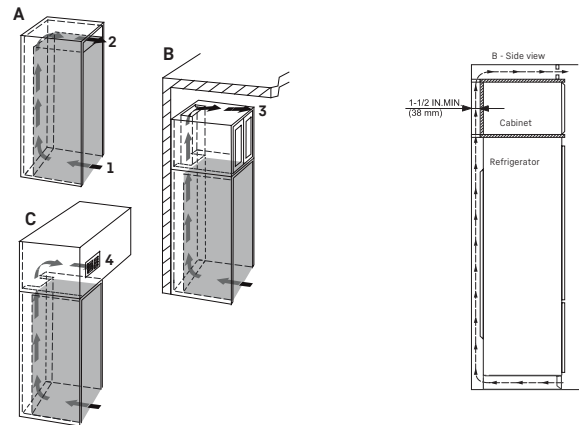


The appliances can be used freestanding or semi built-in. If semi built-in, consider the minimum cabinet opening dimensions specified on this image.

The power cord exists the rear of the appliances (A) right side and has a length of 6.5 ft (2m). We suggest the electrical outlet not to be located behind the appliance, so it is easily accessible. This can be located on top of the niche like shown on the image.

Do not install the shut-off valve for the water supply behind the appliance, to allow access to shut off without having to pull out the appliance. The water line lead out position is according to graphic (B).

## Ventilation Requirements



If the appliance is integrated in a fitted kitchen, the following ventilation requirements must be met: - The spacing fins on the back of the appliance are used to ensure sufficient ventilation. These must not lie in cavities or recesses in their final installation position. - Basically, the larger the ventilation gap, the more energy the appliance saves during operation. Do not restrict the air flow.

A cross-sectional air flow of at least 31 in<sup>2</sup> (200cm<sup>2</sup>) per appliance at the airflow inlet (1) and at the airflow outlet (2).

The top ventilation space can be directed in one of the following ways:

- A. Directly over the appliance (2) with a gap between the ceiling of the unit and the cabinet
- B. Above the cabinet and below the ceiling (3).
- C. Through a vent installed in a soffit (4).

Be sure to consider the possibility of having to raise some of the leveling legs in order to level the appliance when installing. If you adjust the height of the appliance – it will effectively reduce air flow. Therefore leave yourself some room for adjustment. The appliance is designed to allow proper air flow when installed up against the wall.