

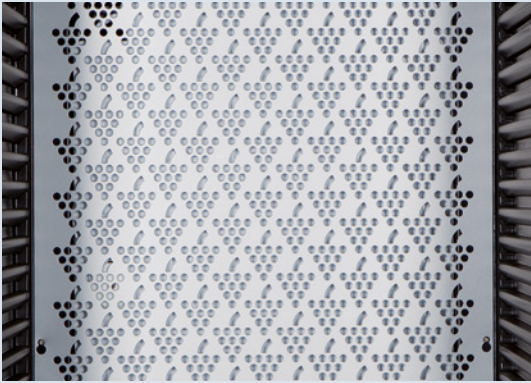


# The Perfect Temperature for Your Wine

Quality, Design and Innovation

WKb 4112

# LIEBHERR



**Optimum humidity:** Liebherr wine cabinets guarantee an optimum humidity and this ensured the corks are supple in place whilst still allowing the wine to breathe in its maturing process.



**LED lighting:** The tinted glass door provides not only a perfect UV protection, but also an optimum glance at wine. The integrated LED lighting ensures a pleasant illumination of the complete interior.

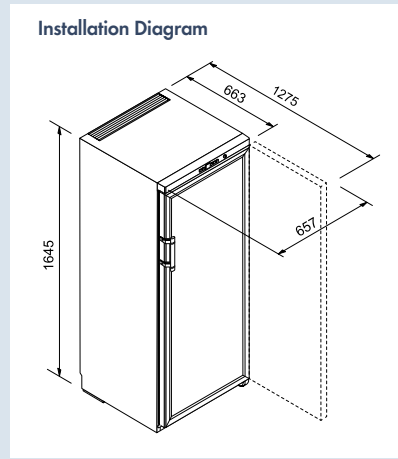


**Presentation shelf:** The presentation shelf, equipped with wooden angles, is ideal for presenting wine and storing open bottles safely. Up to 6 bottles can be set upright on the flexible shelf. In addition further bottles can be stored lying down either behind or at the side.

The **WKb 4112** wine storage cabinet provides the same conditions as in a wine cellar, making it ideal for the long-term storage of fine wines. Its temperature range can be adjusted from +5°C to +20°C for storing exclusive wines at the perfect temperature. The tinted insulating glass door also provides protection against UV radiation and helps to preserve the quality of the wines. Untreated wooden shelves are designed for the safe and appropriate storage of Bordeaux bottles. Our activated charcoal filter absorbs odours from the ambient air and protects the taste of your fine wines; best changed once every 12 months. For added flexibility, optional accessories<sup>1</sup> are available.

**WKb 4112** Barrique LED Wine

Sound rating dB(A) *	40
Total capacity litre	293
Max No. of Bordeaux bottles (0.75l) **	168
Number of shelves	6
Presentation shelf	1
Shelf material	Beech wood
Electronic control	LCD display, buttons
Temperature range °C	+5°C to +20°C
Temperature zones	1
Temperature alarm	Visual and audible
Interior light	LED
Door alarm	Audible
Safety thermostat	Yes
Activated charcoal filter	Yes
Door type	Tinted glazed door, black frame
Integrated lock	Yes
SoftSystem	No
Door hinges	Right, reversible
Product dimensions (H/W/D) cm	164.5 / 65.7 / 66.3
Gross / Net weight kg	86 / 78
Voltage V/Hz	220-240 / 50



Activated Charcoal Filter  
Part no.: 988129100

\* Noise output - according to EN 60704-3  
 \*\* These models are only bound for storing wine. Max. DIN norm bordeaux bottle capacity (0.75 l) as per norm NF H 35-124 (H:300.5 mm, Ø 76.1mm)  
<sup>1</sup> Available accessories: Activated Charcoal Filter (Part no. 988129100), Regular Shelf (Part no. 711173400), Presentation Shelf (Part no. 711173600)

*Note: Whilst every effort is made to ensure all specifications and information in this flyer are accurate, Liebherr reserves the right to make changes without notification. Where actual appliance measurements, specifications, and ratings are crucial, we recommend that the actual appliance installation instructions that accompany each appliance be checked. Liebherr will not be liable for any loss.*