



Installation Guide

Quality, Design and Innovation



home.liebherr.com/fridge-manuals





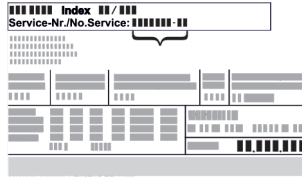

LIEBHERR




General safety instructions

Contents

1	General safety instructions.....	2
2	Installation conditions.....	3
2.1	Location.....	3
2.2	Building the appliance into kitchen units.....	3
2.3	Installing multiple appliances.....	4
2.4	Mains connection.....	4
3	Installation dimensions.....	5
4	Ventilation requirements.....	5
5	Transporting appliance.....	5
6	Unpacking the appliance.....	5
7	Mounting wall spacers.....	5
8	Setting up the appliance.....	5
9	Setting up the appliance so that it is level.....	6
10	After setting up.....	6
11	Disposing of packaging.....	6
12	What the symbols mean.....	6
13	Door hinge change.....	7
13.1	Removing the door.....	7
13.2	Moving the upper bearing parts to the other side.	8
13.3	Moving the lower bearing parts to the other side..	9
13.4	Moving the door bearing parts to the other side....	10
13.5	Moving the handles to the other side.....	10
13.6	Fitting the door.....	11
13.7	Aligning the door.....	12
13.8	Fitting the covers.....	12
14	Connecting device.....	12

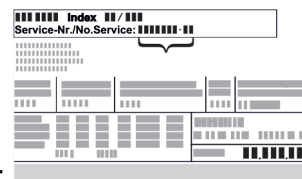
The manufacturer is continually working on the further development of all types and models. Please be aware that we reserve the right to make changes to the shape, equipment and technology.

Symbol	Explanation
	<p>Read instructions</p> <p>Please read the information in these instructions carefully to understand all of the benefits of your new appliance.</p>
	<p>Additional information on the Internet</p> <p>The digital manual with additional information and in other languages can be found via the QR code on the front of the manual or by entering the service number at home.liebherr.com/fridge-manuals.</p> <p>The service number can be found on the serial tag:</p>  <p style="text-align: center;"><i>Fig. Example illustration</i></p>
	<p>Check appliance</p> <p>Check all parts for transport damage. If you have any complaints, please contact your agent or customer service.</p>

Symbol	Explanation
	<p>Differences</p> <p>These instructions apply to a range of models, so differences are possible. Sections that apply to certain models only are marked with an asterisk (*).</p>
	<p>Instructions and results</p> <p>Instructions are marked with a ▶.</p> <p>Results are marked with a ▷.</p>
	<p>Videos</p> <p>Videos about the appliances are available on the YouTube channels of Liebherr-Hausgeräte.</p>



1 General safety instructions


- Please keep this assembly manual in a safe place so you can refer back to it at any time.
- If you pass the appliance on, please hand this assembly manual to the next user.
- Read this assembly manual carefully before installation and use to ensure safe and correct use of the appliance. Follow the instructions, safety instructions and warning messages included at all times. They are important for ensuring you can operate and install the appliance safely and without any problems.
- First read the general safety instructions in the “General safety instructions” section of the **operating instructions**, which accompany these installation instructions, and follow them. If you cannot find the **operating instructions**, you can download the **operating instructions** from the internet by entering the service number at home.liebherr.com/fridge-manuals. The service number can be found on the serial



tag:

- **Observe the warning messages and other detailed information in the other sections when installing the appliance:**

	DANGER	identifies a situation involving direct danger which, if not obviated, may result in death or severe bodily injury.
	WARNING	identifies a dangerous situation which, if not obviated, may result in death or severe bodily injury.

	CAUTION	identifies a dangerous situation which, if not obviated, may result in minor or medium bodily injury.
	NOTICE	identifies a dangerous situation which, if not obviated, may result in damage to property.
	Note	identifies useful instructions and tips.

- If the appliance is placed directly next to an oven, the energy consumption may increase slightly. This is dependent on the service life and usage intensity of the oven.
- Install the appliance with the rear panel up against the wall and always use the supplied wall spacers (see below).

2 Installation conditions



WARNING

Fire hazard due to dampness!

If live parts or the mains lead become damp this may cause short circuits.

- ▶ The appliance is designed for use in enclosed areas. Do not operate the appliance outdoors or in areas where it is exposed to splash water or damp conditions.

Intended use

- Install and use the appliance in indoor spaces only.

2.1 Location



WARNING

Leaking coolant and oil!

Fire. The coolant contained in the appliance is eco-friendly, but also flammable. The oil contained in the appliance is flammable. Escaping coolant and oil can ignite if the concentration is high enough and in contact with an external heat source.

- ▶ Do not damage the pipelines of the coolant circuit and the compressor.

- The best place for installation is a dry and well ventilated room.
- If the appliance is installed in a very humid environment, condensation can build up on the outside of the unit. Always ensure good airflow and ventilation in the installation location.
- The more refrigerant there is in the appliance, the larger the space that it is installed in must be. If the space is too small, any leak may create a flammable mixture of gas and air. For every 8 g of refrigerant, the installation space must be at least 1 m³. Information regarding the coolant can be found on the serial tag inside the appliance.

2.1.1 Supporting floor

- The floor of the installation site must be horizontal and even.
- The surface supporting the appliance must be at the same level as the surrounding floor.

2.1.2 Positioning

- Do not place the appliance in direct sunlight or near radiators or similar sources of heat.
- You can place the appliance directly next to an oven.

2.2 Building the appliance into kitchen units

You can install kitchen cabinets around the appliance.

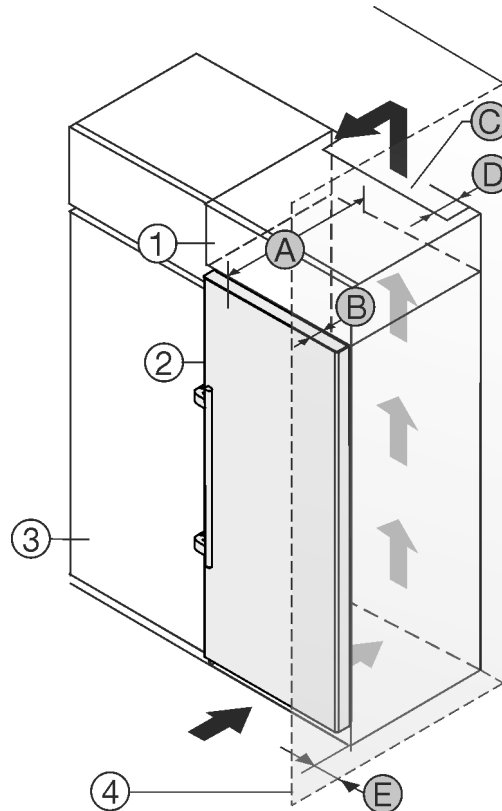


Fig. 1

- (1) Top cabinet
- (2) Appliance
- (3) Kitchen cabinet
- (4) Wall
- (A) Appliance depth
- (B) Door depth
- (C) Ventilation cross section
- (D) Distance to the back of the appliance
- (E) Distance to the side of the appliance

You can place the appliance directly beside the kitchen cabinet Fig. 1 (3).

There must be a ventilation shaft at the depth Fig. 1 (D) of the back of the top cupboard over the entire width of the top cupboard.

The ventilation cross-section Fig. 1 (C) must be maintained under the ceiling.

If the appliance is set up with the hinges next to a wall Fig. 1 (4), the distance between the appliance and the wall must be at least 57 mm. This is how far the handle protrudes when the door is open.

In order to be able to fully open the door, the appliance must protrude by the depth of the door Fig. 1 (B) from the front of the kitchen cabinet. The appliance may protrude further depending on the depth of the kitchen cabinets Fig. 1 (3) and whether wall spacers are used.

Installation conditions

Appliances with lever handle:	
A	675 mm ^x
B	75 mm
C	Min. 300 cm ²
D	Min. 50 mm
E	Min. 57 mm

^x The use of wall spacers increases the dimensions by 15 mm (see 7 Mounting wall spacers) .

Ensure that the following conditions are met:

- Recess dimensions are adhered to .
- Ventilation requirements are complied with (see 4 Ventilation requirements) .

2.3 Installing multiple appliances

The appliances have been developed for different installation methods. If you wish to install several appliances next to each other or on top of each other, ensure that the following requirements are met:

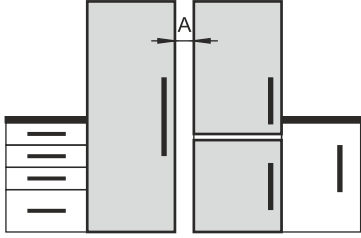
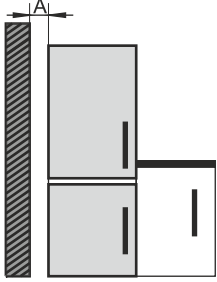
- Only install appliances next to or on top of each other if they have been developed for this.
- Observe notices and the following table.

NOTICE

Risk of damage due to condensate!

- ▶ Do not place the appliance directly next to another cooling/refrigeration unit.

Model	Installation method
All models	Standalone
Models with model designation starting with S...	Side-by-Side (SBS)

Model	Installation method
Models without side wall heating	 <p>Next to each other: Install with gap A of 70 mm between the appliances. If you do not comply with this gap, condensation will form on the side walls between the appliances.</p>  <p>On an exterior wall: Install with gap A as with installation next to each other. If you do not comply with this gap, condensation may form on the appliance's side wall.</p>

Models and their installation method

Assemble the appliances according to the separate installation instructions.

2.4 Mains connection



WARNING

Danger of fire due to incorrect positioning!

If the mains cable or plug touches the back of the appliance, the vibration can damage the mains cable or the plug resulting in a short circuit.

- ▶ Make sure the mains cable is not trapped under the appliance when you position the appliance.
- ▶ Stand the appliance so that it is not touched by connectors or main cables.
- ▶ Do not connect any appliances to sockets in the area of the back of the appliance.
- ▶ Do **not** place and operate multi-sockets/power distributors and other electronic devices (such as halogen transformers) at the back of the appliances.

3 Installation dimensions

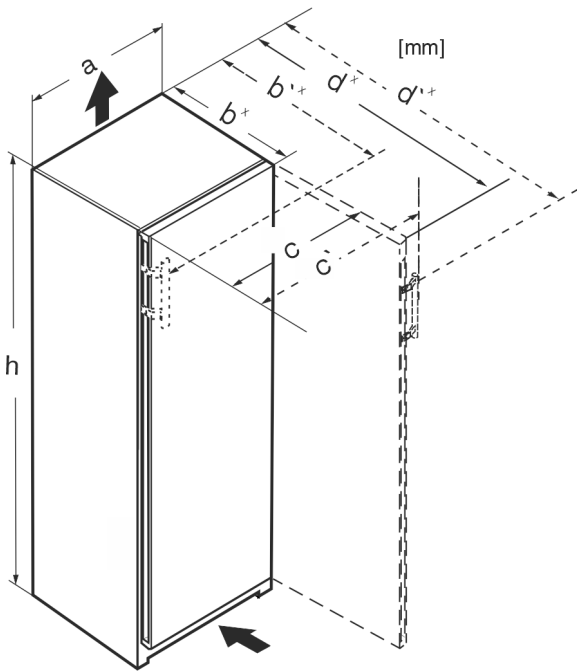


Fig. 2

Dimensions (mm):					
	h	a	b'	c'	d'
FN..46..i	1455	597	719 ^x	654	1222 ^x

^x For appliances with supplied wall spacers, the dimensions must be increased by 15 mm. (see 7 Mounting wall spacers)

4 Ventilation requirements

NOTICE

Danger of overheating due to insufficient air ventilation! The compressor may be damaged if there is insufficient air ventilation.

- ▶ Take care to ensure adequate air ventilation.
- ▶ Observe the ventilation requirements.

If the appliance is integrated into a fitted kitchen, the following ventilation requirements must be adhered to:

- There are spacer fins at the back of the appliance to provide sufficient ventilation. Make sure that these are not positioned in recesses or openings.
- As a rule, the larger the ventilation space the more efficiently the appliance can run.

5 Transporting appliance

Note when transporting the appliance:

- ▶ Transport the appliance upright.
- ▶ Use two people to transport the appliance.

During first use:

- ▶ Transport the appliance packaged.

When transporting appliances after initial commissioning (e. g. moving or cleaning):

- ▶ Empty the appliance.
- ▶ Secure the door against unintentional opening.

6 Unpacking the appliance

Before you connect the appliance, report any damage immediately to the delivery company.

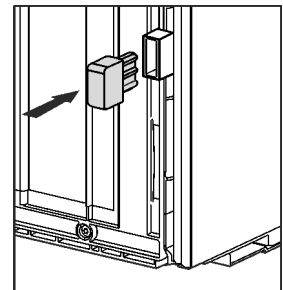
- ▶ Check the appliance and the packaging for damage during transport. Contact the supplier immediately if you suspect any level of damage.
- ▶ Remove all materials from the back or the side walls of the appliance that may prevent proper installation or ventilation.
- ▶ Remove all protective films from the appliance. Do not use sharp or pointed objects for this.
- ▶ Take the power cable from the rear of the appliance. Remove the cable brackets when you do this, otherwise there will be noise caused by vibrations!

7 Mounting wall spacers

With wall spacers, your device achieves the declared energy consumption and no condensation forms in high ambient humidity. The device is fully functional without the spacer brackets, but its energy consumption will be slightly higher.

If you insert the wall spacers, then the device depth increases by approx. 15 mm.

- ▶ Appliance with supplied wall spacers: Fit wall spacers on the rear of the appliance at the bottom left and right.



8 Setting up the appliance



CAUTION

Risk of injury due to heavy appliance!

- ▶ Have two people transport the appliance to its installation site.



WARNING

Risk of fire due to short circuit!

- ▶ When you set the appliance up: do not kink, jam or damage the mains cable.
- ▶ The appliance must not be operated with a defective mains cable.



WARNING

Danger of injury and damage due to the appliance being unstable!

The appliance can topple over.

- ▶ Secure the appliance as described in the instructions.



WARNING

Fire hazard and danger of damage!

- ▶ Do not place appliances emitting heat e.g. microwaves, toasters etc. on the appliance!

Setting up the appliance so that it is level

Ensure that the following conditions are met:

- Only move the device when it is not loaded.
- Only install the appliance with help.
- ▶ Remove the mains cable from the package.
- ▶ Plug the mains cable's IEC socket completely into the appliance plug on the back of the appliance. Ensure that the IEC socket is tight.
- ▶ Use a cord to lay the mains plug to a freely accessible socket if required.

9 Setting up the appliance so that it is level



CAUTION

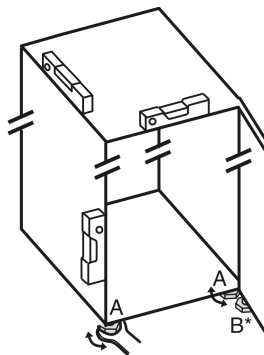
Risk of injury or damage from the appliance tipping or the door falling open!

If the additional adjustable foot on the base support is not correctly positioned on the floor, there is a risk of the door falling open or the appliance tipping. This can lead to injury or property damage.

- ▶ Unscrew the additional adjustable foot on the support until it reaches the floor.
- ▶ Then turn it another 90°.

- ▶ Set up the appliance so that it is level using the supplied open-ended wrench to turn the adjustable feet (A) and a spirit level.

- ▶ Then prop up the door: Turn the adjustable foot (B) on the bearing bracket until it comes into contact with the floor, then turn an additional 90°.



- ▶ Then prop up the door: Turn the adjustable foot on the bearing bracket (B) using the open-ended wrench SW10 until it comes into contact with the floor, then turn an additional 90°.

10 After setting up

- ▶ Take off the protective film from the exterior of the appliance.
- ▶ Take off the protective film from the trim panels and drawer fronts.
- ▶ Remove all transport safety components.
- ▶ Clean the appliance. (see operating instructions)
- ▶ Note the type (model, number), appliance designation, appliance/serial number, purchase date and dealer's address.

11 Disposing of packaging



WARNING

Danger of suffocation due to packing material and plastic film!

- ▶ Do not allow children to play with packing material.













The packaging is made of recyclable materials:

- corrugated board/cardboard
- expanded polystyrene parts

- polythene bags and sheets
- polypropylene straps
- nailed wooden frame with polyethylene panel*
- ▶ Take the packaging material to an official collecting point.

12 What the symbols mean

	Risk of injury here! Follow the safety notes!
	These instructions apply to a range of models. Follow this step only if it applies to your appliance.
	To install, please follow the detailed description in the Guide.
	This section applies either to a single-door appliance or a double-door appliance.
	Choose one of the options: Appliance with right-hinged door or appliance with left-hinged door.
	Installation step required if your model has IceMaker and/or InfinitySpring.
	Just loosen the screws or tighten them slightly.
	Tighten the screws.
	Check to see if the next step applies for your model.
	Check the correct assembly/seat of the components used.
	Measure the specified measurement and adjust if necessary.
	Tool for assembly: Metre rule

	<p>Tool for assembly: Cordless screwdriver and attachments A lengthwise bit insert is recommended for good access to the screws.</p>
	<p>Tool for assembly: Spirit level</p>
	<p>Tool for assembly: Size 7 and size 10 spanners</p>
	<p>Two people are required for this step.</p>
	<p>Carry out this step at the marked place on the appliance.</p>
	<p>Aids for assembly: String</p>
	<p>Aids for assembly: Square</p>
	<p>Aids for assembly: Screwdriver</p>
	<p>Aids for assembly: Scissors</p>
	<p>Aids for assembly: Non-permanent marker pen</p>
	<p>Accessory kit: Remove components</p>
	<p>Dispose of components that are no longer needed.</p>

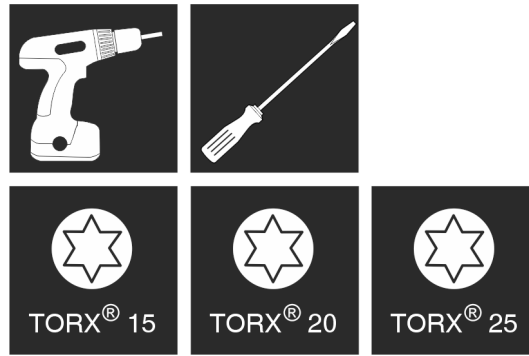


Fig. 3



WARNING

Danger of injury due to door falling out!

If the bearing parts are not screwed on tightly enough, the door may fall out. This can result in serious injuries. In addition, the door may not close with the result that the appliance does not cool properly.

- ▶ Screw on the bearing brackets/bearing pins tightly with 4 Nm.
- ▶ Check all screws and retighten them if necessary.

These sections apply for appliances **without a soft stop mechanism**:

- For appliances **without** a soft stop mechanism
- For all appliances

NOTICE

Risk of condensation damage for Side-by-Side appliances!

Certain appliances can be set up as Side-by-Side combinations (two appliances next to each other).

If your appliance is a **Side-by-Side (SBS) appliance**:

- ▶ Set up the SBS combination in accordance with the enclosed document.

If the **positioning of the devices is stipulated**:

- ▶ Do not change the door hinges over.

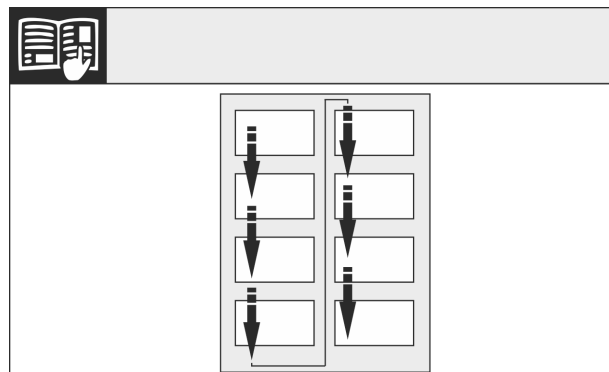


Fig. 4

Remember the reading direction.

13.1 Removing the door

Note

- ▶ Remove any food from the door racks before removing the door, so that no food falls out.

For appliances without a soft stop:

13 Door hinge change

Tools

Door hinge change

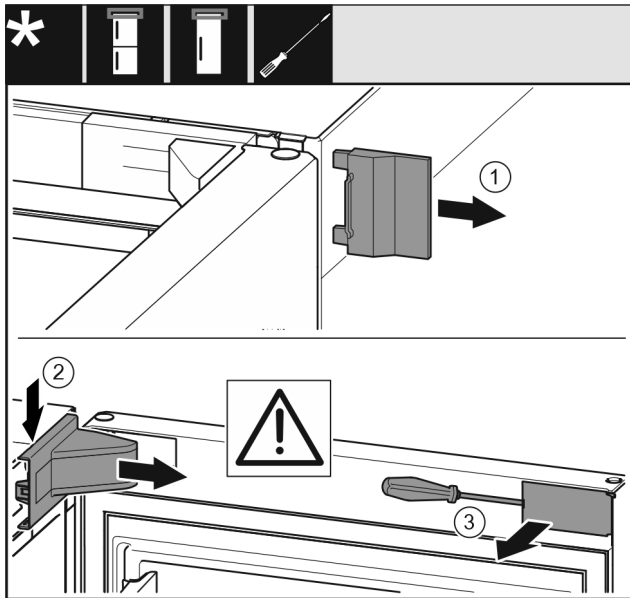


Fig. 5

- ▶ Open the door.

NOTICE

Risk of damage!

If the door seal is damaged, the door may fail to close properly and the cooling will be inadequate.

- ▶ Do not damage the door seal with the screwdriver!

- ▶ Remove the outer cover. Fig. 5 (1)
- ▶ Disengage and release the bearing bracket cover. Remove the bearing bracket cover. Fig. 5 (2)
- ▶ Unlatch the panel with a slotted screwdriver and swivel it to one side. Fig. 5 (3)

For all appliances:

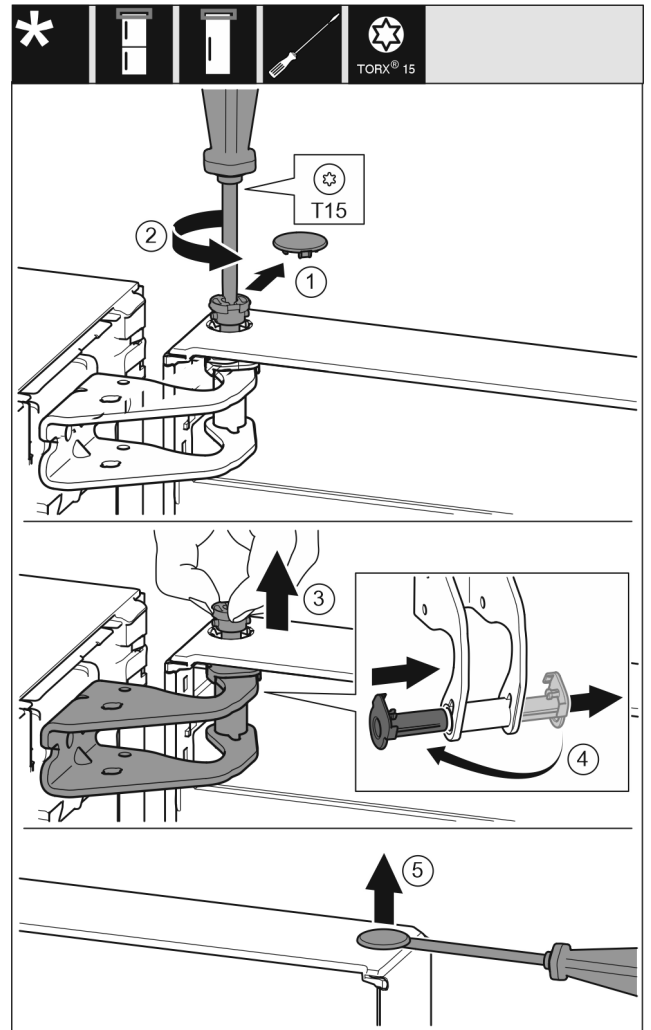


Fig. 6



CAUTION

Risk of injury if the door tips!

- ▶ Take good hold of the door.
- ▶ Set down the door carefully.

- ▶ Carefully remove the protective cover. Fig. 6 (1)
- ▶ Undo the bolt a little with a T15 screwdriver. Fig. 6 (2)
- ▶ Hold the door and remove the bolts with your fingers. Fig. 6 (3)
- ▶ Pull the bearing bush out of the guide. Insert from the other side and latch into place. Fig. 6 (4)
- ▶ Lift the door and place it to one side.
- ▶ Carefully lift the plugs out of the door bearing bush with a slotted screwdriver and pull them out. Fig. 6 (5)

13.2 Moving the upper bearing parts to the other side

For all appliances:

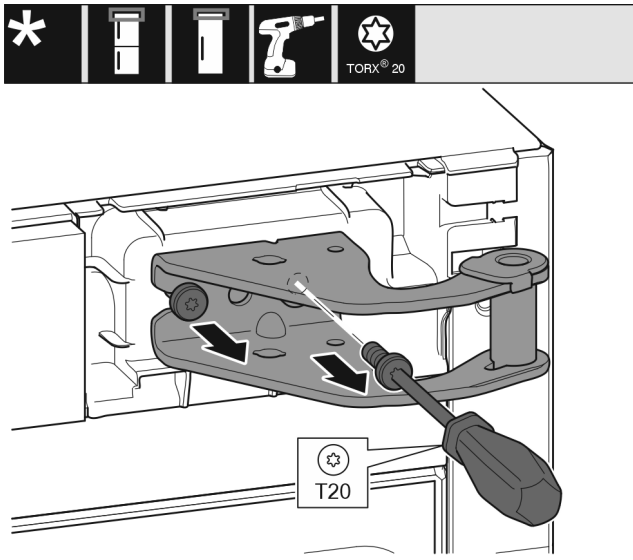


Fig. 7

- ▶ Remove both screws with a T20 screwdriver.
- ▶ Lift up and remove the bearing bracket.

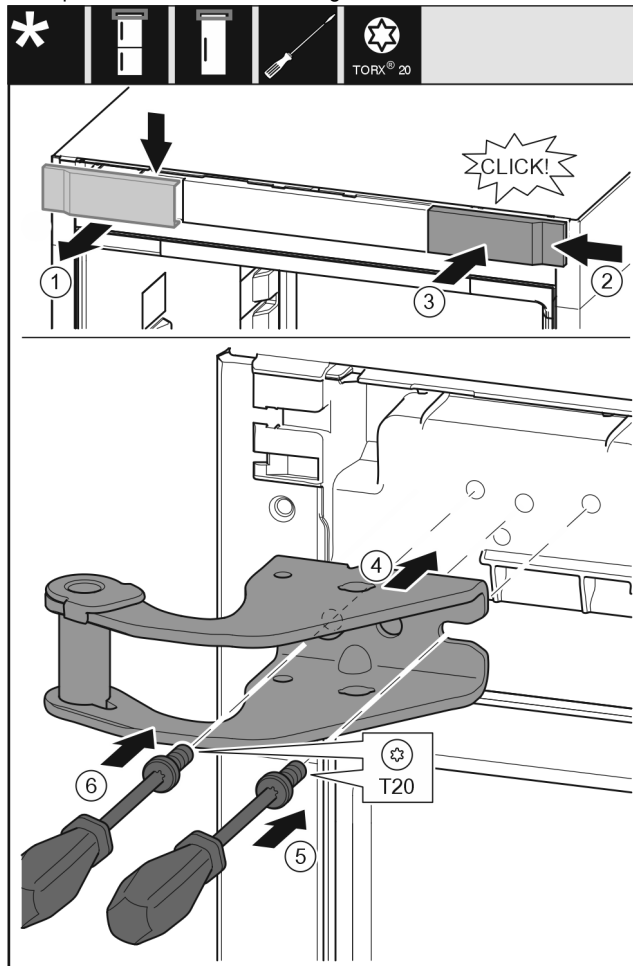


Fig. 8

- ▶ Take off the cover from above to the front. Fig. 8 (1)
- ▶ Rotate the cover 180° and clip onto the other side from the right. Fig. 8 (2)
- ▶ Latch the cover into place. Fig. 8 (3)
- ▶ Position the upper bearing bracket. Fig. 8 (4)
- ▶ Insert the screw with a T20 screwdriver and tighten it. Fig. 8 (5)
- ▶ Insert the screw with a T20 screwdriver and tighten it. Fig. 8 (6)

13.3 Moving the lower bearing parts to the other side

For all appliances:

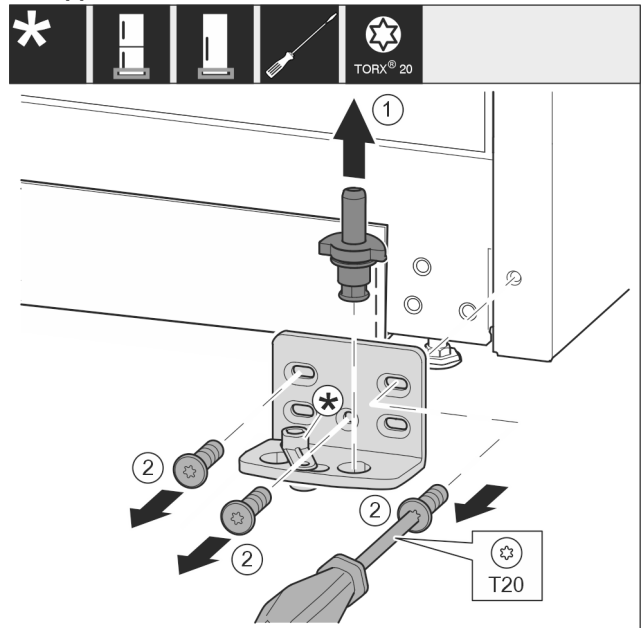


Fig. 9

- ▶ Lift the bearing pin completely upward and pull it out. Fig. 9 (1)
- ▶ Take out the screws with a T20 screwdriver and take off the bearing bracket. Fig. 9 (2)

For appliances without a soft stop:

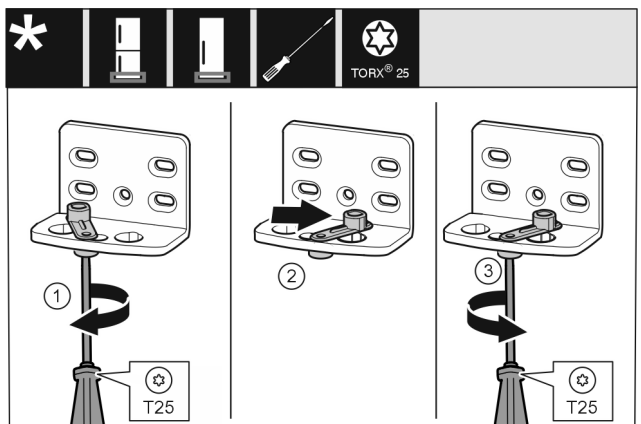


Fig. 10

- ▶ Loosen the screw using a T25 screwdriver. Fig. 10 (1)
- ▶ Lift the door closing aid and turn it 90° to the right in the hole. Fig. 10 (2)
- ▶ Tighten the screw using a T25 screwdriver. Fig. 10 (3)

For all appliances:

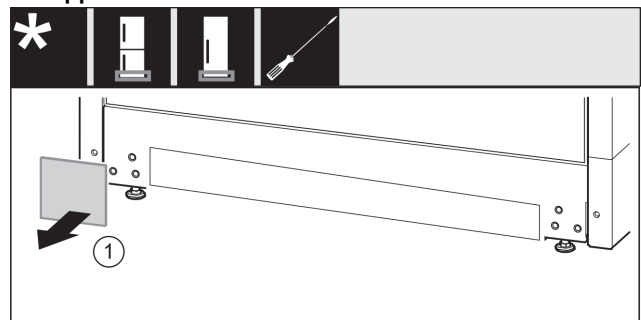


Fig. 11

- ▶ Remove the cover. Fig. 11 (1)

Door hinge change

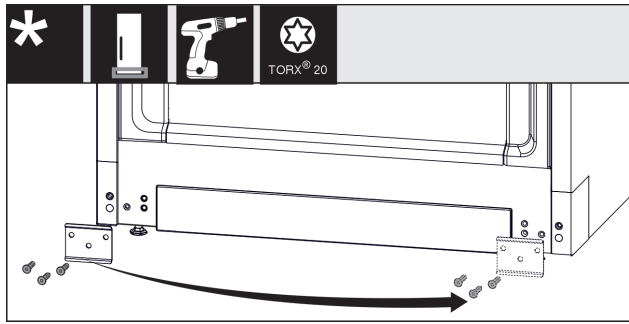


Fig. 12

- Unscrew the metal plate, move it to the other side and screw it on again. Fig. 12 (1)

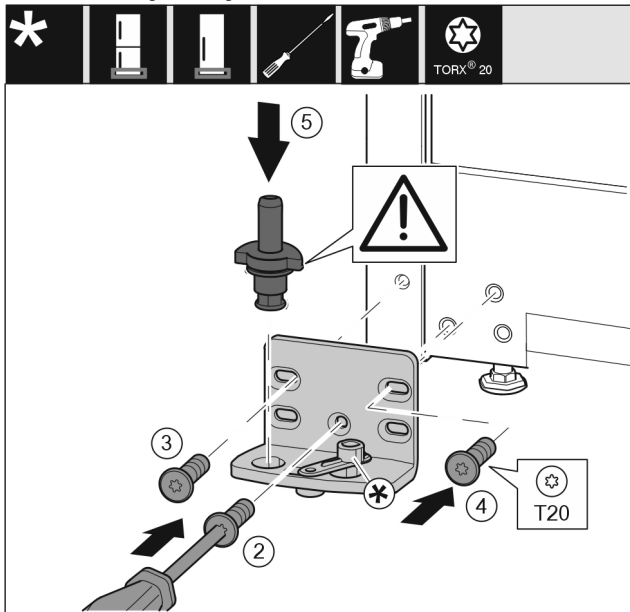


Fig. 13

- Place the bearing bracket on the other side and screw it on with a T20 screwdriver. Start with screw 2 at the bottom in the middle. Fig. 13 (2)
- Screw in screws 3 and 4 tightly. Fig. 13 (3,4)
- Insert the bearing pin completely. Make sure that the latching lug is pointing to the rear. Fig. 13 (5)

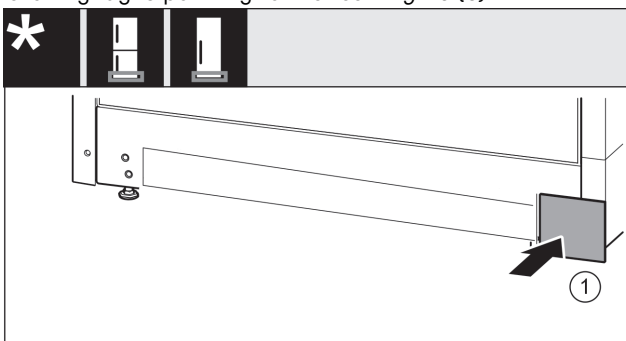


Fig. 14

- Put the cover back on the other side. Fig. 14 (1)

13.4 Moving the door bearing parts to the other side

For appliances without a soft stop:

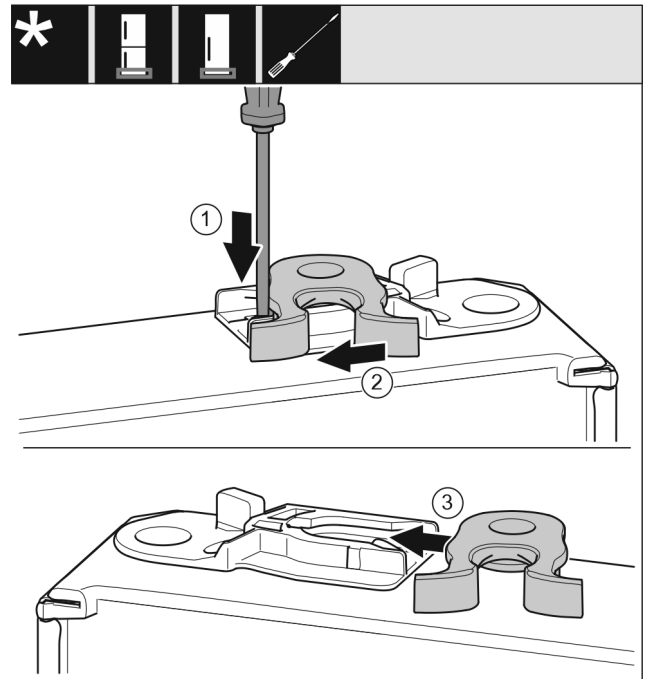


Fig. 15

- The bottom side of door faces upwards: Turn the door.
- Push the lug downwards with a slotted screwdriver. Fig. 15 (1)
- Pull the door latch out of the guide. Fig. 15 (2)
- Push the door latch into the guide on the other side. Fig. 15 (3)
- The upper side of door faces upwards: Turn the door.

13.5 Moving the handles to the other side

For all appliances:

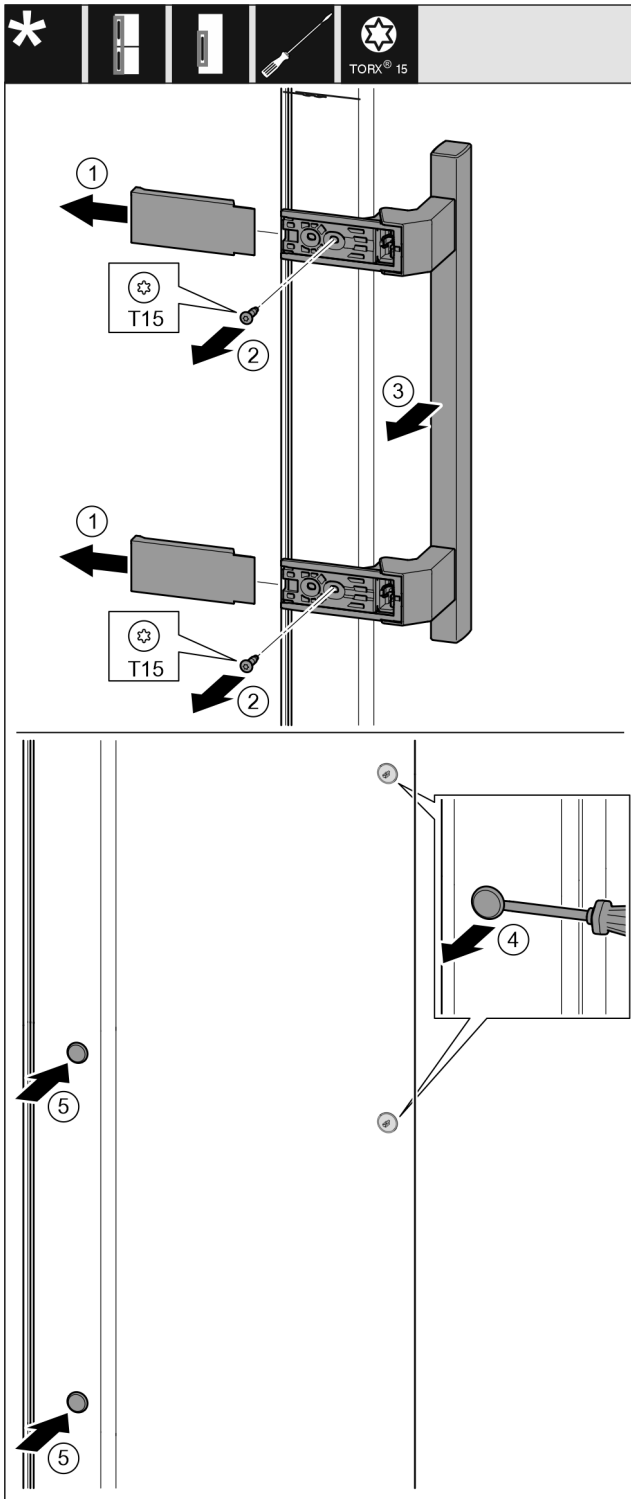


Fig. 16

- ▶ Pull off the cover. Fig. 16 (1)
- ▶ Remove the screws with a T15 screwdriver. Fig. 16 (2)
- ▶ Take off the handle. Fig. 16 (3)
- ▶ Carefully lift up the side plugs with a slotted screwdriver and pull them out. Fig. 16 (4)
- ▶ Insert the plugs again on the other side. Fig. 16 (5)

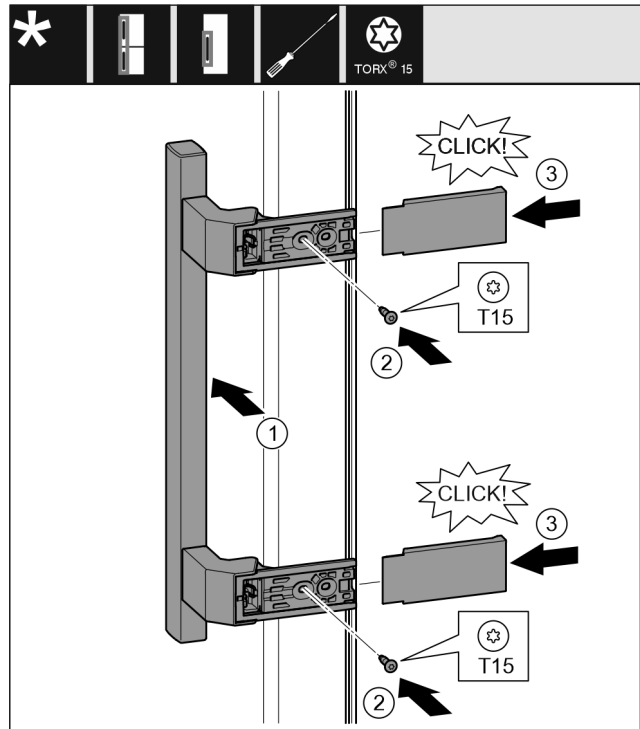


Fig. 17

- ▶ Position the handle on the other side. Fig. 17 (1)
- ▶ The screw holes must be exactly above each other.
- ▶ Tighten the screw with a T15 screwdriver. Fig. 17 (2)
- ▶ Position the covers on the side and push them on. Fig. 17 (3)
- ▶ Ensure that they latch into place.

13.6 Fitting the door

For all appliances:

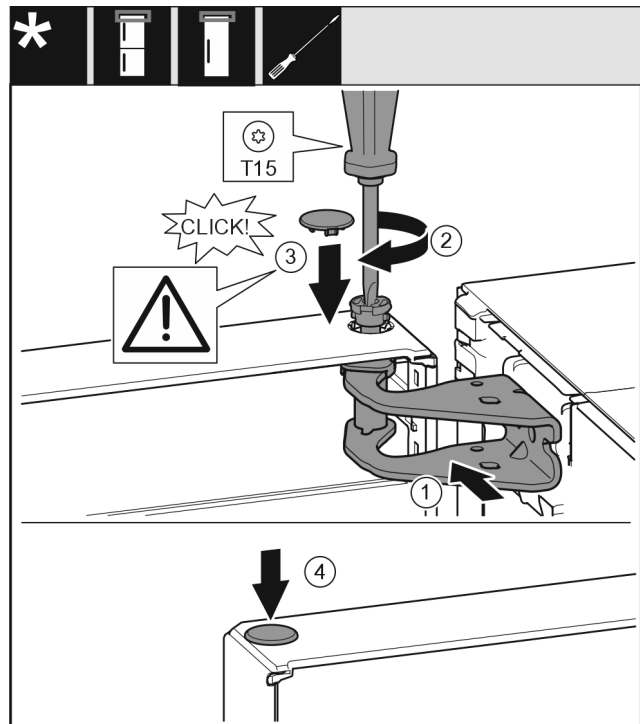


Fig. 18

- ▶ Place the door on the lower bearing pins.
- ▶ Align the top of the door with opening in the bearing bracket. Fig. 18 (1)
- ▶ Insert the bolt and tighten with a T15 screwdriver. Fig. 18 (2)

Connecting device

- ▶ Fit the protective cover to protect the door: Insert the protective cover and check that it is flush to the door. If not, insert the bolt fully. *Fig. 18 (3)*
- ▶ Insert the plugs. *Fig. 18 (4)*

13.7 Aligning the door

For all appliances:



WARNING

Danger of injury due to door falling out!

If the bearing parts are not screwed on tightly enough, the door may fall out. This can result in serious injuries. In addition, the door may not close with the result that the appliance does not cool properly.

- ▶ Screw the bearing brackets on firmly with 4 Nm.
 - ▶ Check all screws and retighten them if necessary.
-
- ▶ Align the doors flush with the appliance housing using the two slots in the bearing bracket if needed. To do this undo the middle screw in the bottom bearing bracket with the T20 tool supplied. Undo the remaining screws a little with the T20 tool or with a T20 screwdriver and align using the slotted holes.
 - ▶ Prop up the door: Take off the adjustable foot on the bearing bracket using the open-ended wrench SW10 until it comes into contact with the floor, then turn an additional 90°.

13.8 Fitting the covers

For appliances without a soft stop:

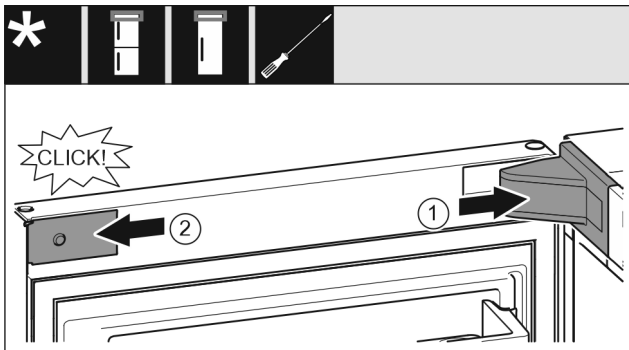


Fig. 19

The door is open 90°.

- ▶ Position the bearing bracket and latch it in place. If necessary push it apart carefully. *Fig. 19 (1)*
- ▶ Position the panel on the side and latch into place. *Fig. 19 (2)*

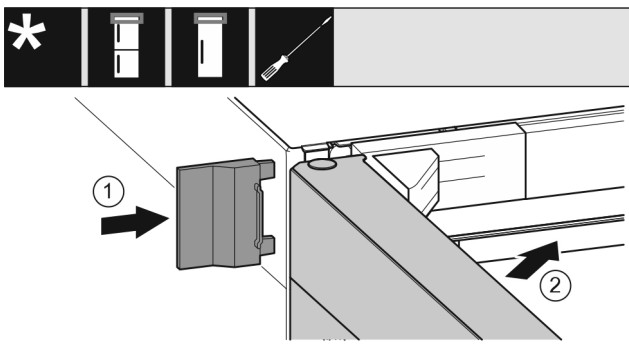


Fig. 20

- ▶ Slide on the outer cover. *Fig. 20 (1)*
- ▶ Close the upper door. *Fig. 20 (2)*

14 Connecting device



WARNING

Danger of fire due to incorrect connection!

Burns.

Damage to the appliance.

- ▶ Do not use an extension cable.
- ▶ Do not use distributor blocks.

NOTICE

Danger of damage to incorrect connection!

Damage to the appliance.

- ▶ Do not connect the appliance to a stand-alone inverter, e.g. solar power systems and petrol generators.

Note

Only use the supplied mains cable.

- ▶ A longer mains cable can be ordered from Customer Service.

Ensure that the following conditions are met:

- The type of current and voltage at the installation site match the information on the serial tag.
- The socket is earthed according to the regulations and fused.
- The fuse tripping current is between 10 and 16 A.
- The socket is easily accessible.
- The socket is not located behind the appliance but in areas a or b (a, b, c).
- ▶ Check the electrical connection.
- ▶ Insert the appliance plug (G) into the back of the appliance. Ensure that they latch into place.
- ▶ Connect the mains plug to the power supply.
- ▷ The Liebherr logo appears on the screen.
- ▷ The display switches to the standby symbol.



home.liebherr.com/fridge-manuals

EN Freezer

Issue date: 20240619

Part number index: 7088550-00

Liebherr-Hausgeräte Ochsenhausen GmbH
Memminger Straße 77-79
88416 Ochsenhausen
Deutschland