
Created for True Wine Connoisseurs

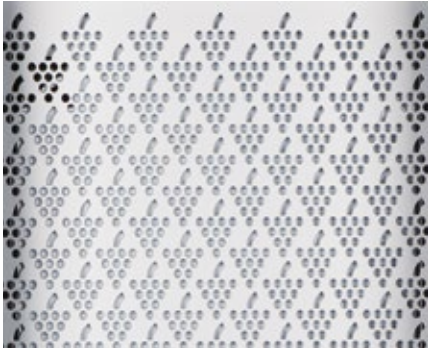
Liebherr wine cabinets satisfy your thirst for the smartest, most elegant ways to store fine wines. Add sophisticated flair to your entertainment areas while enjoying the best conditions for wine storage.

LIEBHERR

Freestanding Wine Cabinets



Unique features



Ideal Humidity for Long-term Storage

When humidity level falls below 50%, natural corks begin to shrink, causing oxygen to enter the bottle and resulting in damaged wine. Liebherr wine cabinets guarantee ideal conditions which allows wine corks to remain supple and prevent oxidization, with humidity between 50% – 80% depending on ambient humidity.



Optimum Air Quality with Charcoal Filter

Environmental odours can adversely affect the quality of wine stored over prolonged periods. To protect your prized collection, each Liebherr wine cabinet is equipped with an activated charcoal filter to provide a permanent supply of odourless, fresh air.



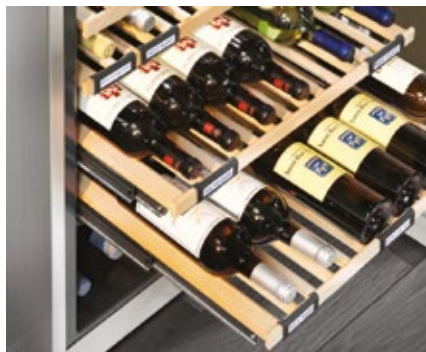
UV Protection with Insulated Glass Doors

Our wine cabinets come with insulated glass doors with special UV protection. The double-glazed construction means that most of the damaging UV radiation is reflected away. In addition, LED lights are installed in the interiors to provide illumination without risk of UV exposure.



Pleasant Illumination with Energy Efficient LED Lighting

Integrated LED lights in our wine cabinet interiors ensure pleasant illumination and provide an optimum view of your wine collection. LED lighting is energy efficient and emits less heat than conventional neon lighting, hence it does not influence the interior temperature.



Low Vibration Environment to Minimise Damage

Specially developed compressors provide a low vibration environment for your wine bottles. Coupled with our natural, handcrafted beechwood shelves, you can be rest assured that your exclusive collections are protected from any harmful vibrations.



Intuitive Navigation via LCD Display

Our touch electronic control system is easy to navigate and enables tailored storage options. Temperature can be set between +5°C and +20°C based on your preference. In our multi-temperature models, each wine safe can be controlled independently, allowing different types of wine to be stored in one wine cabinet.

Vinidor Wine Cabinets

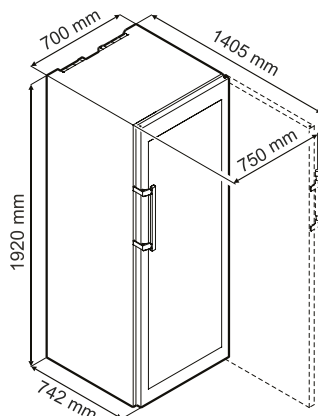


WTes 5872

Energy consumption in 365 days/24 h	180 kWh
Total gross / net capacity	578 / 496 litre
Frequency / Voltage	50 Hz / 220-240 V~
Connection rating	1.5 A
Door	Insulated glazed door, stainless steel frame
Side walls	Stainless steel
Temperature zones	3
Temperature range	+5°C to +20°C
Max. no. of Bordeaux bottles (0.75 litre)	178
Type of control	LCD display, internal digital
Forced air system	FreshAir activated charcoal filter
Interior light	LED, dimmable
Child proof function	Yes
Fault: warning signal	Visual and audible
Door open: warning sign	Audible
Shelf material	Beech wood
Total no. of storage shelves (incl. bottom compartment)	13
Pull-out shelves on telescopic rails	10
Presentation shelves	1
Door hinges	Right, reversible
Lock	Fitted
Product dimensions (H/W/D)	192 / 70 / 74.2 cm



Diagram

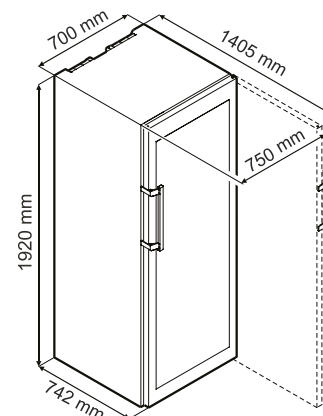


WTes 5972

Energy consumption in 365 days/24 h	182 kWh
Total gross / net capacity	593 / 516 litre
Frequency / Voltage	50 Hz / 220-240 V~
Connection rating	1.0 A
Door	Insulated glazed door, stainless steel frame
Side walls	Stainless steel
Temperature zones	2
Temperature range	+5°C to +20°C
Max. no. of Bordeaux bottles (0.75 litre)	211
Type of control	LCD display, internal digital, internal digital
Forced air system	FreshAir activated charcoal filter
Interior light	LED, dimmable
Child proof function	Yes
Fault: warning signal	Visual and audible
Door open: warning sign	Audible
Shelf material	Beech wood
Total no. of storage shelves (incl. bottom compartment)	10
Pull-out shelves on telescopic rails	8
Presentation shelves	1
Door hinges	Right, reversible
Lock	Fitted
Product dimensions (H/W/D)	192 / 70 / 74.2 cm



Diagram



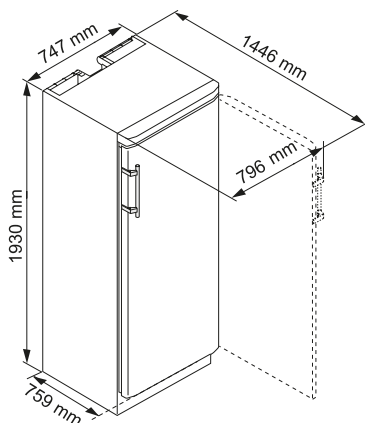


WKt 6451

Energy consumption in 365 days/24 h	143 kWh
Total gross / net capacity	666 / 625 litre
Frequency / Voltage	50 Hz / 220-240 V~
Connection rating	1.0 A
Door	Full door, terra
Side walls	Terra
Temperature zones	1
Temperature range	+5°C to +20°C
Max. no. of Bordeaux bottles (0.75 litre)	312
Type of control	MagicEye, external digital
Forced air system	FreshAir activated charcoal filter
Interior light	LED
Child proof function	Yes
Fault: warning signal	Visual and audible
Door open: warning sign	Audible
Shelf material	Beech wood
Total no. of storage shelves (incl. bottom compartment)	7
Pull-out shelves on telescopic rails	-
Presentation shelves	-
Door hinges	Right, reversible
Lock	Fitted
Product dimensions (H/W/D)	193 / 74.7 / 75.9 cm



Diagram

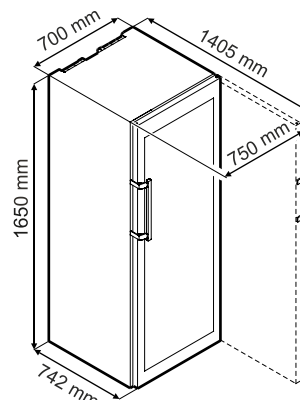


WKes 4552

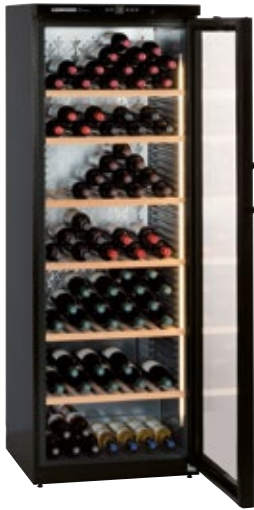
Energy consumption in 365 days/24 h	133 kWh
Total gross / net capacity	478 / 435 litre
Frequency / Voltage	50 Hz / 220-240 V~
Connection rating	1.0 A
Door	Insulated glazed door, stainless steel frame
Side walls	Stainless steel
Temperature zones	1
Temperature range	+5°C to +20°C
Max. no. of Bordeaux bottles (0.75 litre)	201
Type of control	MagicEye, internal digital
Forced air system	FreshAir activated charcoal filter
Interior light	LED
Child proof function	Yes
Fault: warning signal	Visual and audible
Door open: warning sign	Audible
Shelf material	Beech wood
Total no. of storage shelves (incl. bottom compartment)	6
Pull-out shelves on telescopic rails	-
Presentation shelves	-
Door hinges	Right, reversible
Lock	Fitted
Product dimensions (H/W/D)	165 / 70 / 74.2 cm



Diagram



Liebherr Barrique Wine Cabinets

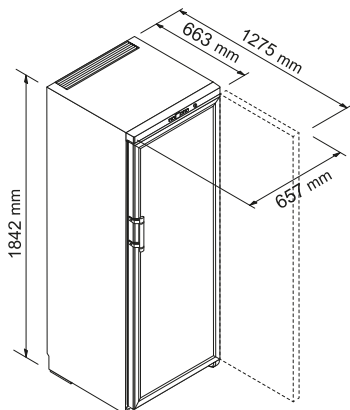


WKb 4612

Energy consumption in 365 days/24 h	204 kWh
Total gross / net capacity	453 / 336 litre
Frequency / Voltage	50 Hz / 220-240 V~
Connection rating	1.0 A
Door	Insulated glazed door, black frame
Side walls	Black
Temperature zones	1
Temperature range	+5°C to +20°C
Max. no. of Bordeaux bottles (0.75 litre)	195
Type of control	MagicEye, external digital
Forced air system	FreshAir activated charcoal filter
Interior light	LED
Child proof function	Yes
Fault: warning signal	Visual and audible
Door open: warning sign	Audible
Shelf material	Beech wood
Total no. of storage shelves (incl. bottom compartment)	7
Pull-out shelves on telescopic rails	-
Presentation shelves	1
Door hinges	Right, reversible
Lock	Fitted
Product dimensions (H/W/D)	184.2 / 65.7 / 66.3 cm



Diagram

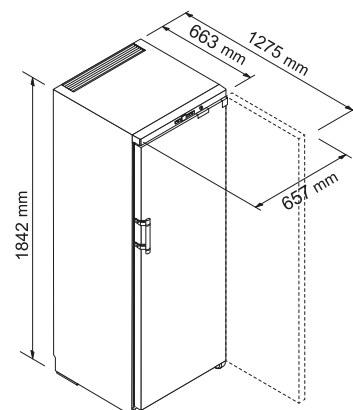


WKb 4611

Energy consumption in 365 days/24 h	175 kWh
Total gross / net capacity	453 / 336 litre
Frequency / Voltage	50 Hz / 220-240 V~
Connection rating	1.0 A
Door	Full door, bordeaux red
Side walls	Black
Temperature zones	1
Temperature range	+5°C to +20°C
Max. no. of Bordeaux bottles (0.75 litre)	195
Type of control	MagicEye, external digital
Forced air system	FreshAir activated charcoal filter
Interior light	Bulb
Child proof function	Yes
Fault: warning signal	Visual and audible
Door open: warning sign	Audible
Shelf material	Beech wood
Total no. of storage shelves (incl. bottom compartment)	7
Pull-out shelves on telescopic rails	-
Presentation shelves	-
Door hinges	Right, reversible
Lock	Fitted
Product dimensions (H/W/D)	184.2 / 65.7 / 66.3 cm



Diagram



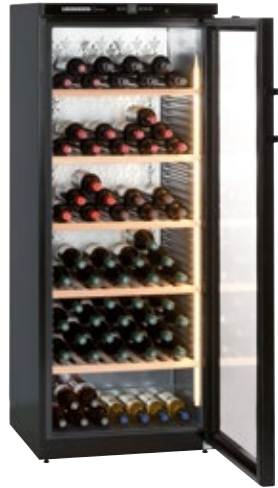
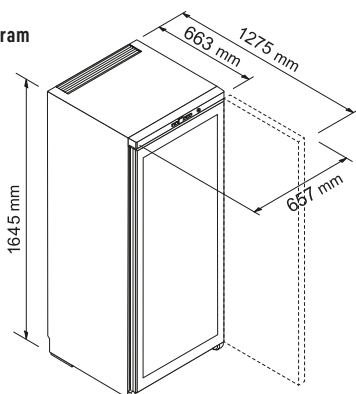


WKgb 4113

Energy consumption in 365 days/24 h	1553 kWh
Total gross / net capacity	395 / 293 litre
Frequency / Voltage	50 Hz / 220-240 V~
Connection rating	3.5 A
Door	Full glass door with heating function
Side walls	Black
Temperature zones	1
Temperature range	+5°C to +20°C
Max. no. of Bordeaux bottles (0.75 litre)	168
Type of control	MagicEye, external digital
Forced air system	FreshAir activated charcoal filter
Interior light	LED
Child proof function	Yes
Fault: warning signal	Visual and audible
Door open: warning sign	Audible
Shelf material	Beech wood
Total no. of storage shelves (incl. bottom compartment)	6
Pull-out shelves on telescopic rails	-
Presentation shelves	1
Door hinges	Right
Lock	Fitted
Product dimensions (H/W/D)	164.5 / 65.7 / 66.3 cm



Diagram

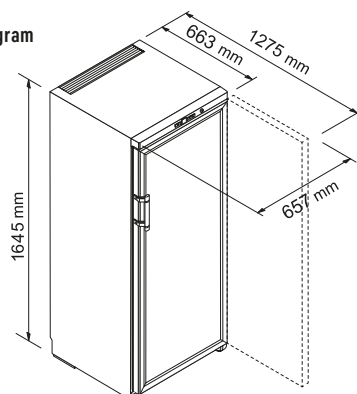


WKb 4112

Energy consumption in 365 days/24 h	178 kWh
Total gross / net capacity	395 / 293 litre
Frequency / Voltage	50 Hz / 220-240 V~
Connection rating	1.0 A
Door	Insulated glazed door, black frame
Side walls	Black
Temperature zones	1
Temperature range	+5°C to +20°C
Max. no. of Bordeaux bottles (0.75 litre)	168
Type of control	MagicEye, external digital
Forced air system	FreshAir activated charcoal filter
Interior light	LED
Child proof function	Yes
Fault: warning signal	Visual and audible
Door open: warning sign	Audible
Shelf material	Beech wood
Total no. of storage shelves (incl. bottom compartment)	6
Pull-out shelves on telescopic rails	-
Presentation shelves	1
Door hinges	Right, reversible
Lock	Fitted
Product dimensions (H/W/D)	164.5 / 65.7 / 66.3 cm



Diagram

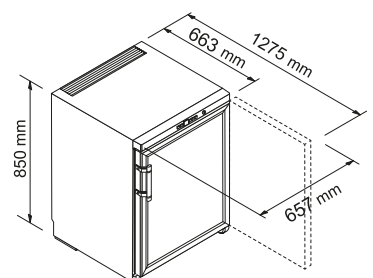


WKb 1712

Energy consumption in 365 days/24 h	149 kWh
Total gross / net capacity	173 / 121 litre
Frequency / Voltage	50 Hz / 220-240 V~
Connection rating	1.0 A
Door	Insulated glazed door, black frame
Side walls	Black
Temperature zones	1
Temperature range	+5°C to +20°C
Max. no. of Bordeaux bottles (0.75 litre)	60
Type of control	MagicEye, external digital
Forced air system	FreshAir activated charcoal filter
Interior light	LED
Child proof function	Yes
Fault: warning signal	Visual and audible
Door open: warning sign	Audible
Shelf material	Beech wood
Total no. of storage shelves (incl. bottom compartment)	3
Pull-out shelves on telescopic rails	-
Presentation shelves	-
Door hinges	Right, reversible
Lock	Fitted
Product dimensions (H/W/D)	85 / 65.7 / 66.3 cm



Diagram



Design & Lifestyle

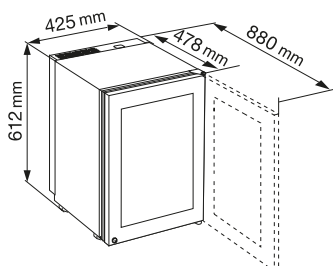


WKes 653

Energy consumption in 365 days/24 h	75 kWh
Total gross / net capacity	56 / 38 litre
Frequency / Voltage	50 Hz / 220-240 V~
Connection rating	1.0 A
Door	Insulated glazed door, stainless steel frame with SmartSteel
Side walls	Stainless steel with SmartSteel
Temperature zones	1
Temperature range	+5°C to +20°C
Max. no. of Bordeaux bottles (0.75 litre)	12
Type of control	LCD display, internal digital
Forced air system	FreshAir activated charcoal filter
Interior light	LED, dimmable
Child proof function	Yes
Fault: warning signal	Visual and audible
Door open: warning sign	Audible
Shelf material	Beech wood
Total no. of storage shelves	3
Accessory drawer	1
Door hinges	Right
Lock	Fitted
Product dimensions (H/W/D)	61.2 / 42.5 / 47.8 cm



Diagram

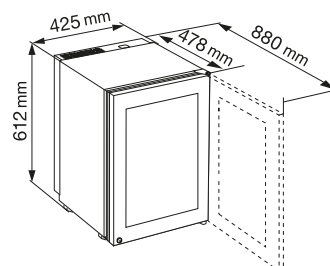


ZKes 453

Energy consumption in 365 days/24 h	162 kWh
Total gross / net capacity	43 / 39 litre
Frequency / Voltage	50 Hz / 220-240 V~
Connection rating	0.5 A
Door	Insulated glazed door, stainless steel frame with SmartSteel
Side walls	Stainless steel with SmartSteel
Temperature zones	1
Temperature range	+16°C to +20°C
Air humidity	68% to 75%
Type of control	LCD display, internal digital
Forced air system	FreshAir activated charcoal filter
Interior light	LED, dimmable
Child proof function	Yes
Fault: warning signal	Visual and audible
Door open: warning sign	-
Shelf material	Spanish cedar wood
Total no. of storage shelves	2
Presentation boxes	2
Door hinges	Right
Lock	Fitted
Product dimensions (H/W/D)	61.2 / 42.5 / 47.8 cm



Diagram



Liebherr Appliances Flagship Store

70 Tras Street, Singapore 079009

E-mail: appliances.lsi@liebherr.com | Tel: 6226 2549 | Online Shop: home.liebherr.sg/shop



Visit our social media channels at
socialmedia.home.liebherr.com

home.liebherr.com