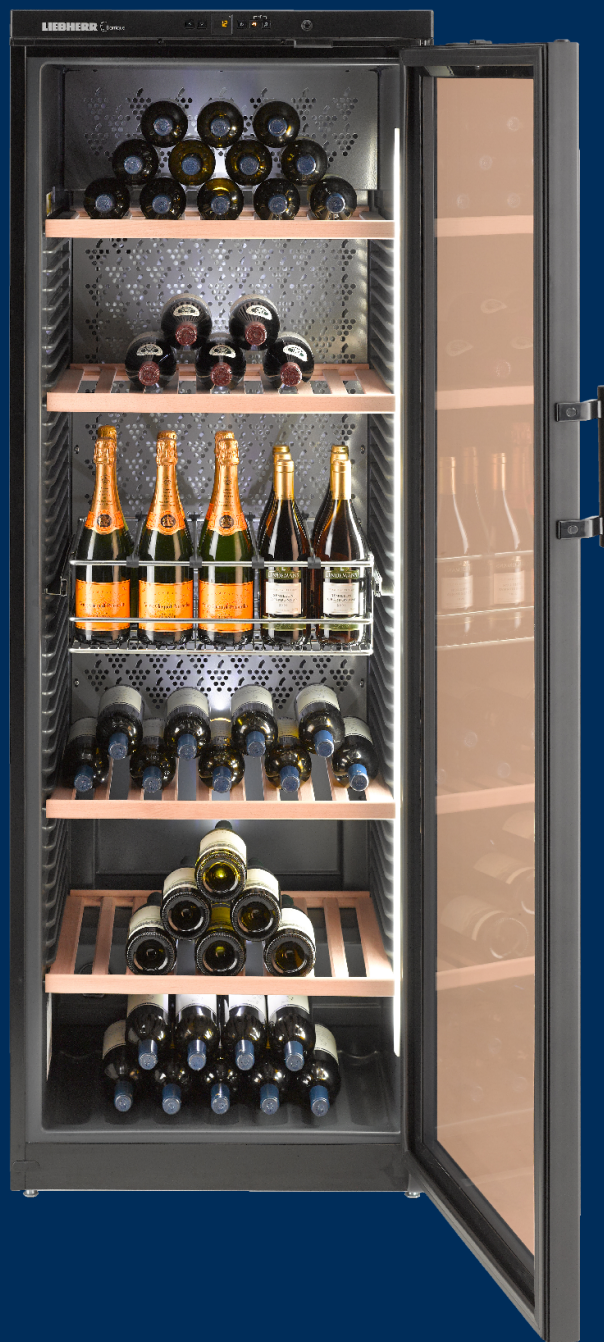


WKpb 4612

Wine storage cabinet

Barrique



LIEBHERR

Freestanding

LIEBHERR

WKpb 4612

Wine storage cabinet
Barrique

breite_
66.pdf



Energy consump. in 365 days/24 h	204 kWh
Max. No. of Bordeaux bottles 0.75 Ltr	195 ¹
Frequency / voltage	50 Hz / 220-240 V~
Connection Rating	1.0 A
Door	Glass door, frame black
Side walls	black
Exterior dimensions in cm (h / w / d)	184.1 / 66 / 66.3
Controls	
Type of Control	MagicEye on front, key electronic
	Digital temperature display
Temperature display	Digital temperature display
Alarm in case of malfunction	visual and acoustic
Door alarm	acoustic
Child proof function	yes
Features	
Temperature zones	1
Temperature range	+5 °C to +20 °C
Adjustable cooling circuits	1
Forced air system	Convection cooling, fresh air supply via FreshAir activated charcoal filter
Interior light	LED interior lighting
Handle	Ergonomically designed slimline handle, black
Design	HardLine-Design
Shelf material	Höhenverstellbar/-
Storage shelves	5
Lock	fitted
EAN-Nr.	955000023871

¹ These models are only bound for storing wine. Maximum DIN norm bordeaux bottles capacity (0.75 l) as per norm NF H 35-124 (H: 300.5 mm, Ø 76.1 mm)

Features



Low-vibration storage

Even slight vibrations can disturb the wine maturing process and prevent the tannins from settling. Specially developed, exceptionally low-vibration compressors in all the wine cabinets mean that the wine is optimally stored.



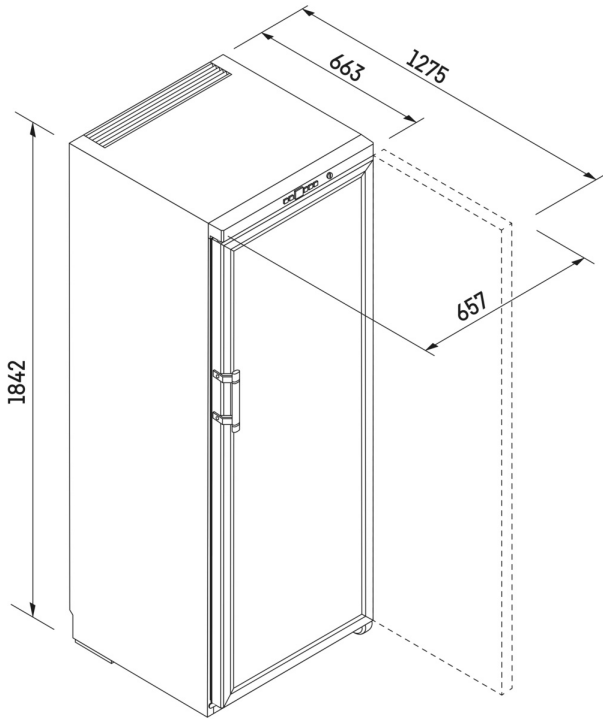
Ideal humidity

Maintaining the proper humidity is an important aspect for the storage of wines. In this way, corks remain supple and do not dry out. Wine should be stored in a horizontal position to keep the corks moist from the inside. With over 50 % air humidity, wine cabinets guarantee the perfect conditions. The air humidity can be controlled as required in the wine storage cabinets by pressing the ventilation button.

Freestanding WKpb 4612

LIEBHERR

Technical drawing



Products and their details are staged for advertising purposes. Whilst every effort is made to ensure all specifications and information in this flyer are accurate, Liebherr reserves the right to make changes without notification. Where actual appliance measurements, specifications, and ratings are crucial, we recommend that the actual appliance installation instructions that accompany each appliance be checked. Liebherr will not be liable for any damage. (06.03.2023)



[home.liebherr.com](https://www.home.liebherr.com)