

**7083 288-00**

ERB../EFN../EWP../EKB/EGN/EWT/ECBN\_91..., 92..., 94..., 96..., 97..., 99..

**LIEBHERR**

## Supplied accessories

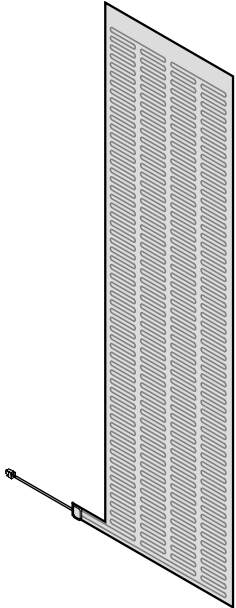
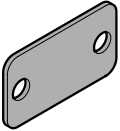
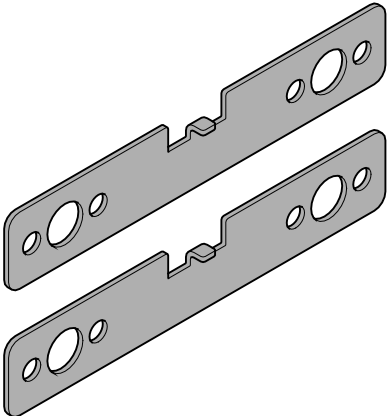
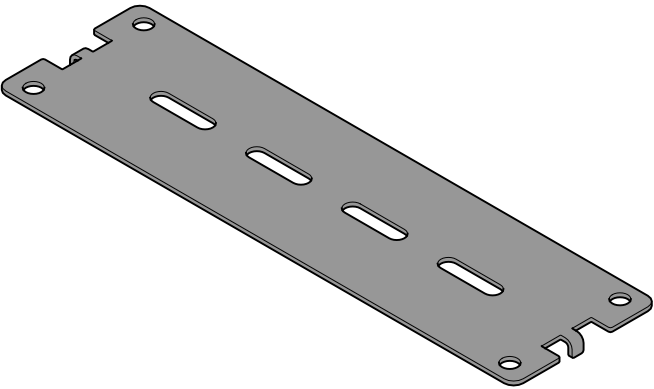
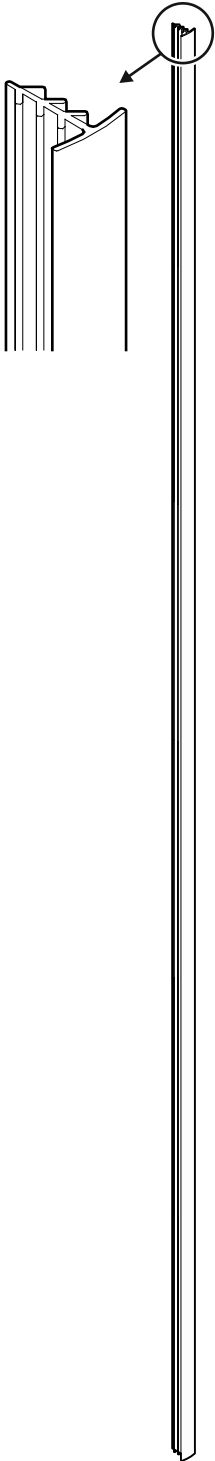
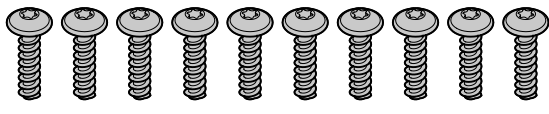
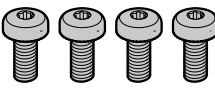
Illustration	Article number	Designation
	6943 001-00	Heating blanket
	9022 776-00	Front connecting plate
	9022 778-00	Rear connecting plates
	9022 777-00	Top connecting plate

Illustration	Article number	Designation
	7641 033-00	Cover strip
	4098 066-01	10x - Screws 6 x 25
	4084 005-01	4x - Screws M4 x 13

## Installation



**WARNING!**

### Risk of fire or damage

**The accessories kit is intended for use only with the appliances listed below.**

EKB 9271, EKB 9471, EKB 9671  
ERB.. 96.., ERB.. 97.., ERB.. 99..  
EGN 9171, EGN 9271, EGN 9471, EGN 9671  
EFN.. 94.., EFN.. 96.., EFN.. 97.., EFN.. 99..  
EWT 9175, EWT 9275  
EWP.. 94.., EWP.. 96..  
ECBN 9471, ECBN 9671, ECBN 9673  
ECBN.. 97.., ECBN.. 99..

Side by Side installation should only be carried out by a trained expert. We recommend this procedure be carried out by two people.



**WARNING!**

### Risk of electric shock.

**Do not connect to the electrical socket before the installation is completed.**

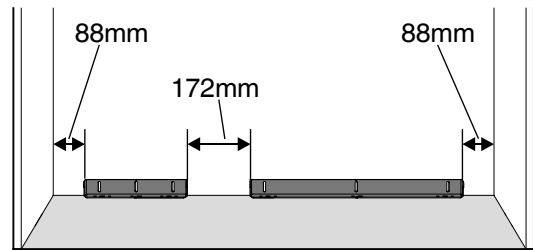
## Anti-tipping device

The supplied anti-tipping bracket must be installed in all cases. This prevents the appliance from tipping over when the fully loaded door is opened.

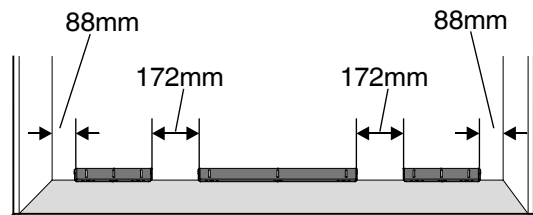
- May only be installed by trained personnel.
- The 6 x 60 mm screws are designed for standard dry walls.
- If the anti-tipping bracket cannot be secured properly using the 6 x 60 mm screws, use suitable anchors or different screws.

### 1. Positioning the anti-tipping device

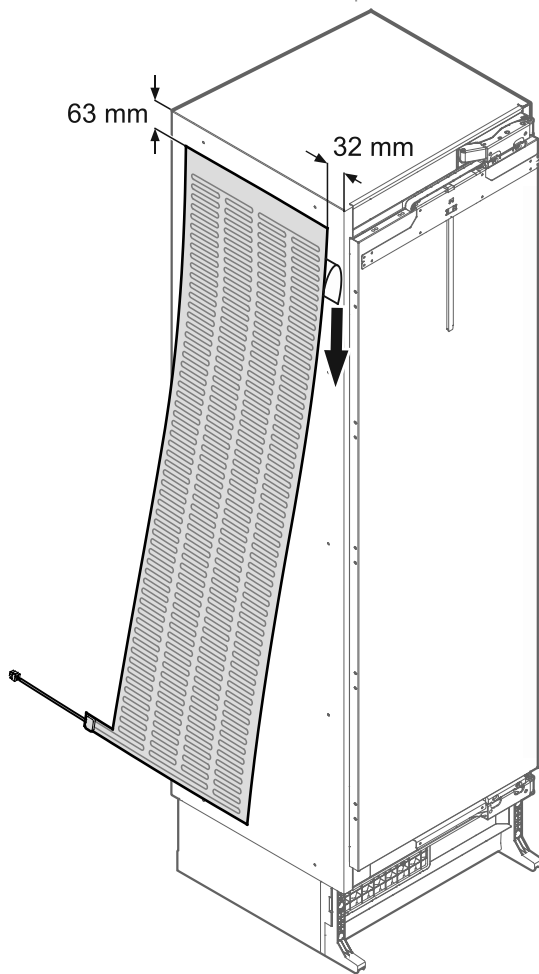
2 appliances:



3 appliance:



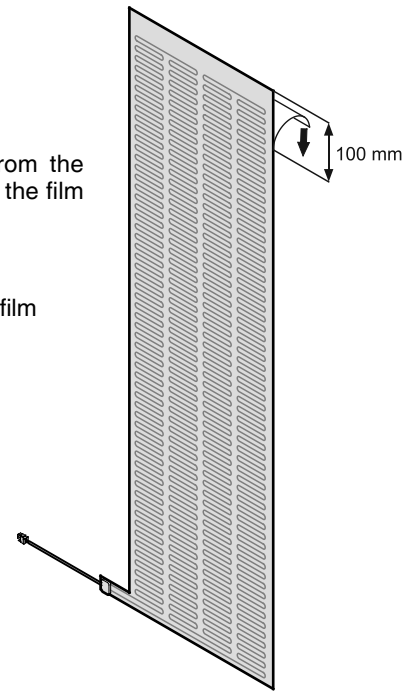
2. See chapter „Installation instructions - Mounting the anti-tipping device“



- Remove the protective film from the heating blanket top. Pull down the film for approx. 100 mm.

**IMPORTANT**

Do not remove the protective film completely.

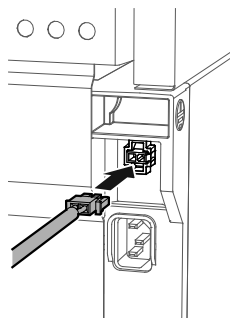
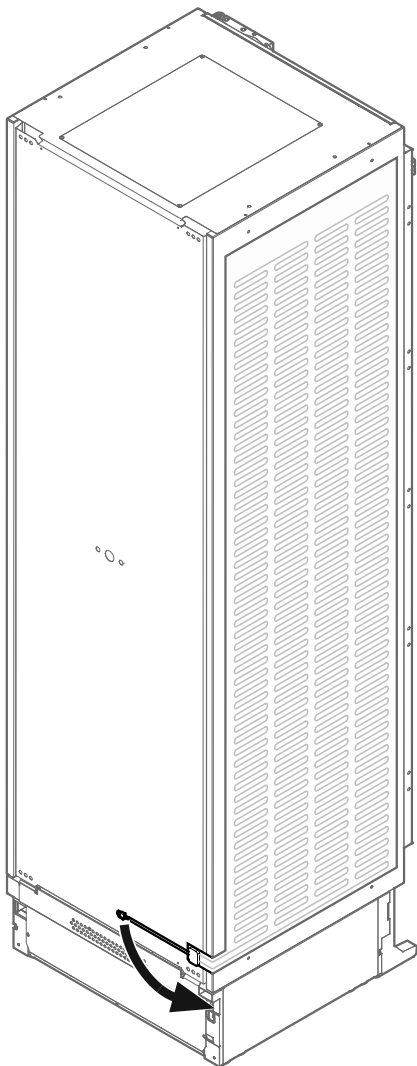
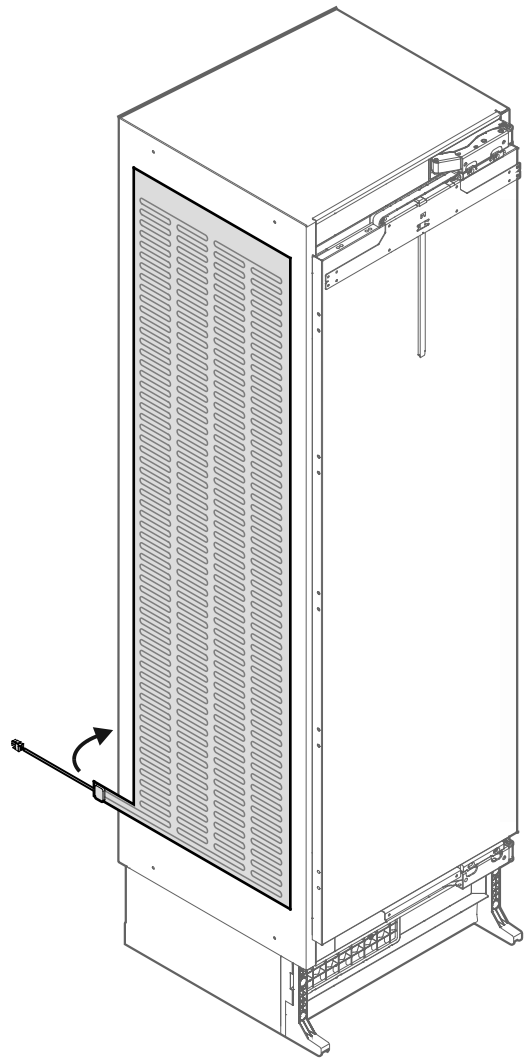


- Affix the heating blanket to the left side wall of the right appliance.  
Upper edge of blanket 63 mm downwards from the appliance top.  
Front edge of blanket 32 mm from the front of the appliance housing.  
Remove the protective film a bit at a time as you go and flatten the heating blanket top down.

**IMPORTANT**

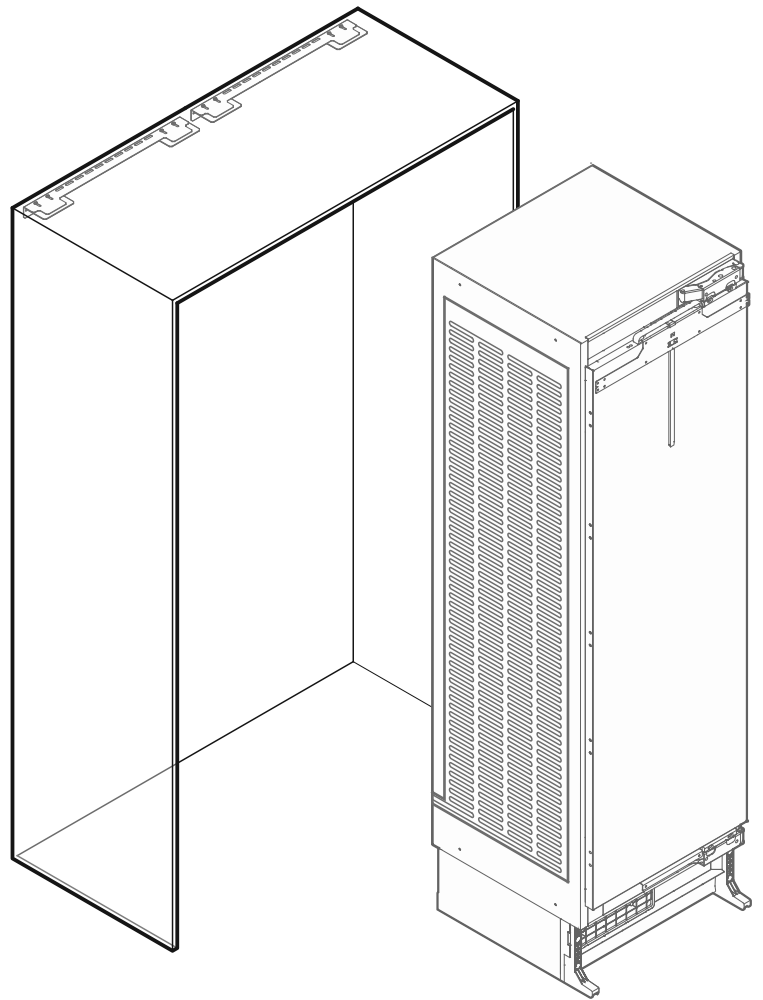
There should be no air pockets between heating blanket film and appliance wall.

5. Bend the lower tongue of the heating blanket around the corner and affix to the back of the appliance.



6. Connect the cable of the heating blanket to the socket.

7. Move the right appliance in front of the recess and leave enough space to work behind.



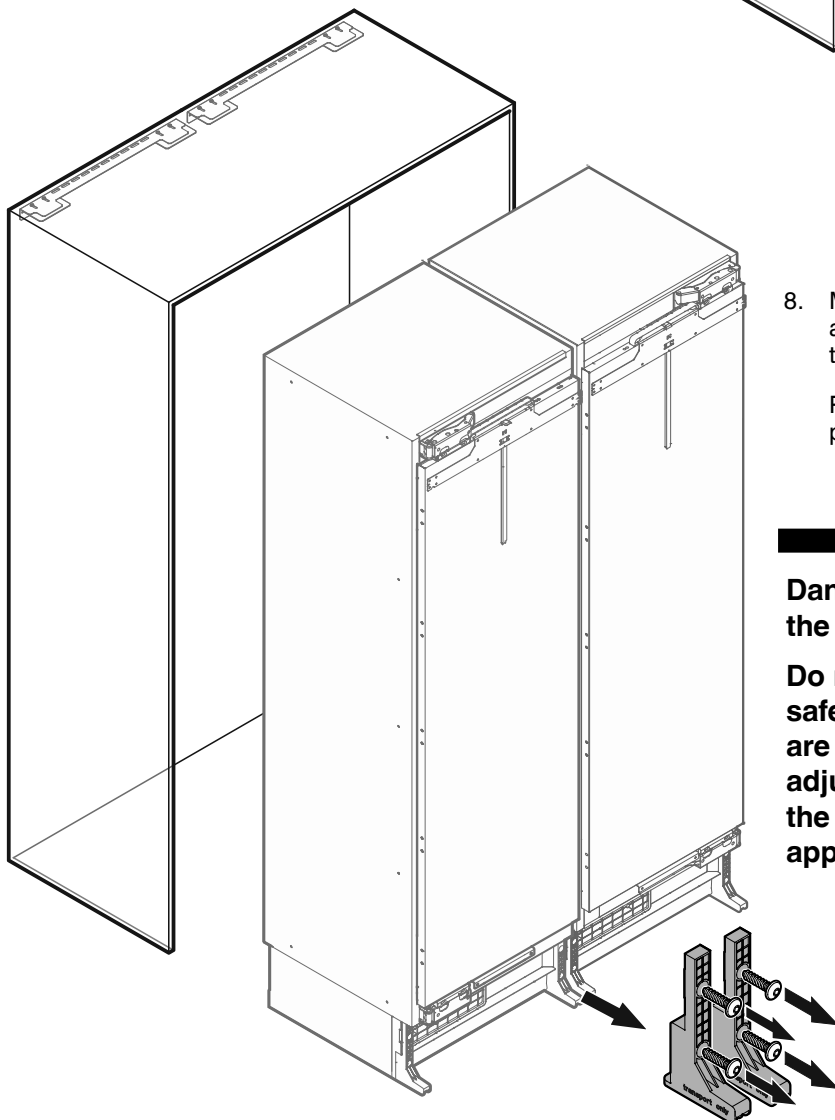
8. Move the left appliance in front of the recess and leave a space of approx. 6 mm between the appliances.

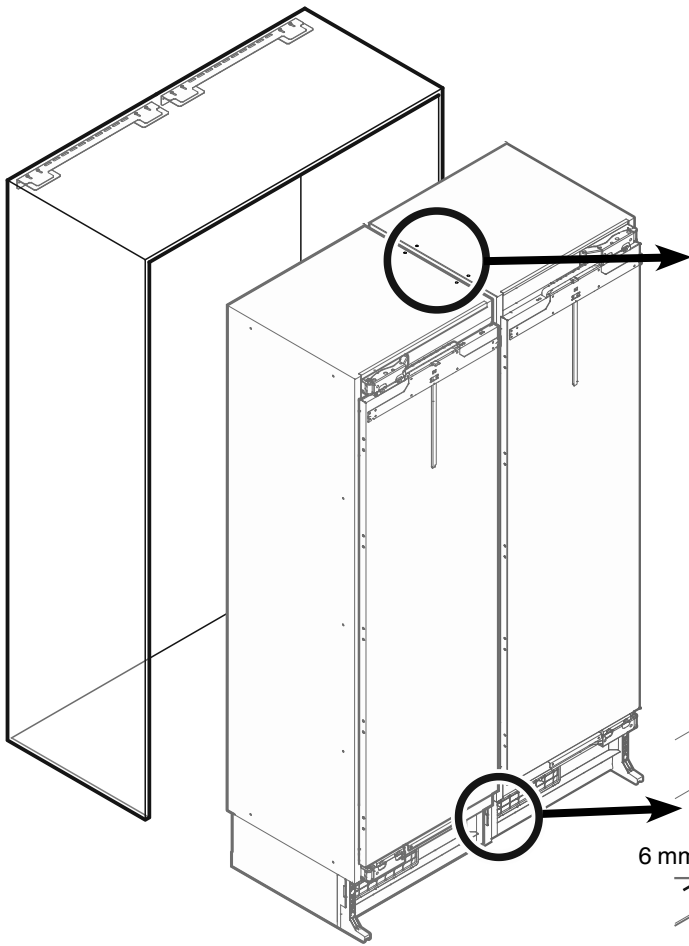
Remove the inner transportation safety components using a Torx 25 key.

**⚠ DANGER!**

**Danger of death or serious injury due to the appliance tipping over.**

**Do not remove the outer transportation safety components before the appliances are in the recess and the height adjustment has been completed so that the anti-tipping brackets support the appliances.**



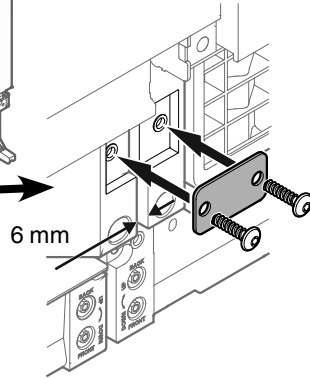
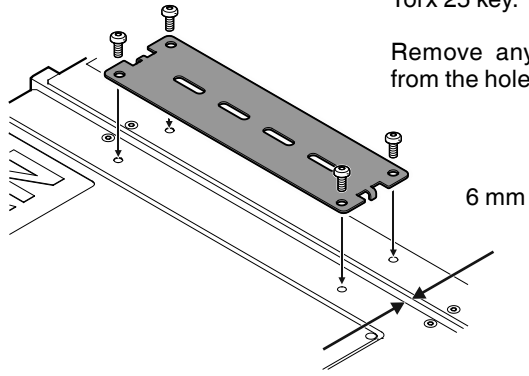


9. Position the top connecting plate and fasten with M4 x 13 screws.



Torx 25 key.

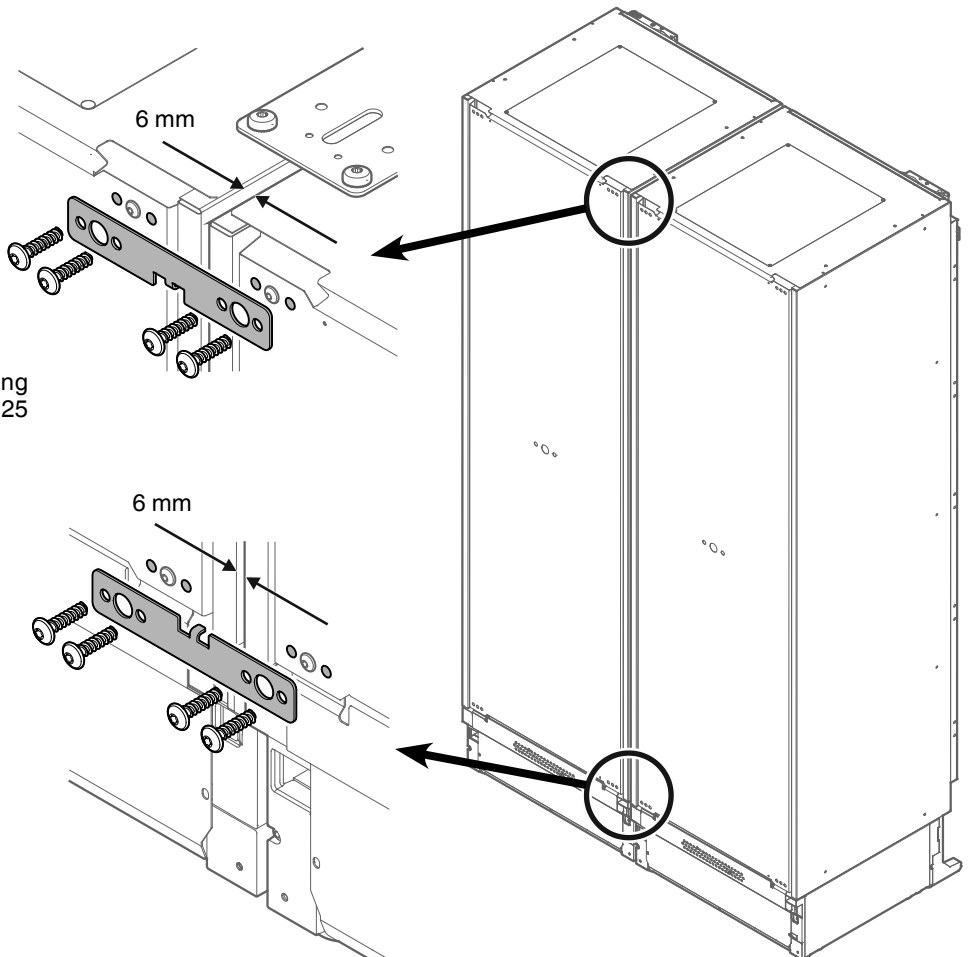
Remove any foam residues from the holes.



10. Position the front connecting plate and fasten with 6 x 25 screws.



Torx 25 key.

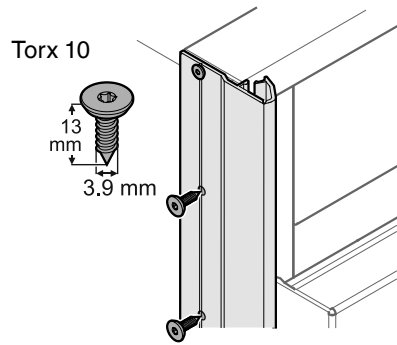


11. Position the rear connecting plates and fasten with 6 x 25 screws.

Torx 25 key.





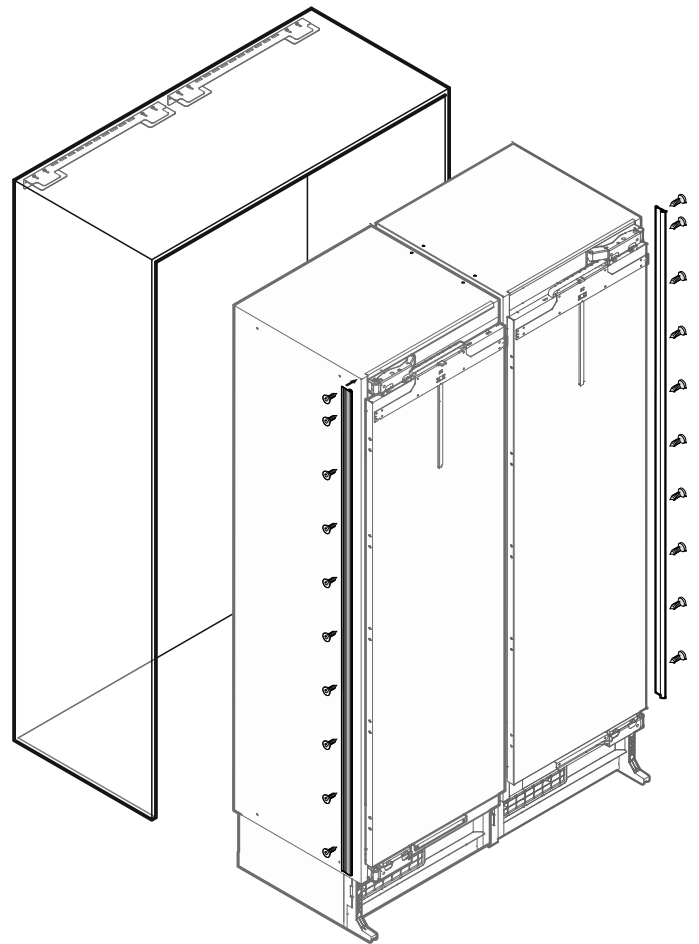


12. Apply the lateral cover strips to the left and right front edge of the appliance housing, align in height with the appliance top and screw into place.

The strip is transparent so that the designed attachment holes on the appliance housing are visible.

We recommend that you mark and pre-drill the hole positions in the strip.

Cover strips and 3.9 x 13 screws are provided with the appliances.

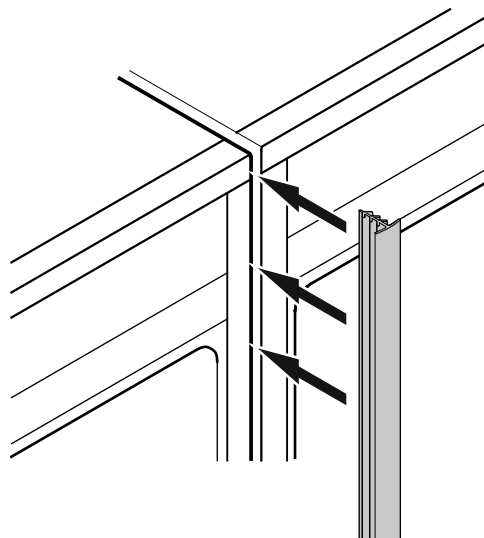


**Please note for SBS assembly with an EWT / EWP appliance:**

**The depth of the door panel cannot be adjusted on an EWT / EWP appliance after the appliance has been secured in the recess.**

**Complete the installation as described in chapter "Appliance installation" in the installation instructions of the appliance.**

13. Open the doors and press the cover strip into the gap between the appliances.





**Liebherr Hausgeräte Lienz GmbH**  
Dr.-Hans-Liebherr-Strasse 1  
A-9900 Lienz  
Österreich  
[www.liebherr.com](http://www.liebherr.com)

