
IRBh 5170

Integratable refrigerator with
BioFresh Professional
△ Peak

LIEBHERR

Fully Integrated



Fully Integrated

LIEBHERR

IRBh 5170

Integratable refrigerator with
BioFresh Professional

△ Peak

G Made
in Germany



↑
178
↓



Type	Fixed door / Built-in appliance for integrated use
Energy consump. in 365 days/24 h	164 kWh
Total net	Fridge: 287 l including BioFresh compartment: 92 l
Noise output	32 dB(A)
Climate rating	SN-T (+10 °C to +43 °C)
Frequency / voltage	50-60 Hz / 220-240 V~
Connection Rating	1.2 A
Aperture dimensions in cm (h / w / d)	177.2-178.8 / 56-57 / min. 55
Controls	
Type of Control	2.4" TFT-colour display, touch- & swipe Digital temperature display for fridge and BioFresh compartments
Door alarm	visual and acoustic
Fridge compartment	
Forced air system	PowerCooling with Ambilight and FreshAir activated charcoal filter
Door interior	Comfort GlassLine storage shelves with bottle holder, removable VarioBoxes, adjustable egg tray
VarioSafe	yes
Bottle shelf	Integrated bottle shelf
Interior light	LED light panel, both sides LED BioFresh lighting
BioFresh-Safes	3 BioFresh safes with SoftTelescopic, 2 Fruit & Vegetable safes, of which 1 with HydroBreeze, 1 Meat & Dairy safe, 1 FlexSystem
Features	
Door hinges	Reversible door hinging
Replaceable door seal	yes
EAN-Nr.	4016803082293

Features



BioFresh with HydroBreeze

Do you want to cool fruit and vegetables like professionals? You'll be inspired by HydroBreeze. The cold mist combined with a temperature in the safe of just over 0 °C gives food that extra boost for longer shelf life. And it creates a genuine visual wow effect. HydroBreeze is activated every 90 minutes for 4 seconds and for 8 seconds when the door is opened.



Fish & Seafood safe

Love fish? Your Liebherr keeps fish fresh! The Fish & Seafood Safe stores fish and seafood at the optimum temperature of -2 °C; as professionally as your fishmonger. Adjust the size of the -2 °C zone as much as you want – and store the remaining meat and dairy products at the optimum 0 °C. An LED display indicates that the -2 °C zone is currently active.



Fruit & Vegetable safe

Crunchy salad and strawberries: the most delicate foods deserve a special place so they stay fresh longer – in BioFresh safes. In the Fruit & Vegetable safe the temperature is close to 0 °C. Combined here with the constant humidity, thanks to the air-tight closure, unpackaged fruit and vegetables feel particularly at home. You do not have to adjust anything.



Meat & Dairy safe

Do you want the tender veal fillet or fresh milk to stay fresh for as long as possible? The BioFresh safes will ensure this is the case. In the Meat & Dairy Safe, the temperature is close to 0 °C – ideal storage conditions for even the most delicate of foods. And best of all, everything is perfectly adjusted in the factory for immediate use – and for longer freshness.



Ambient lighting

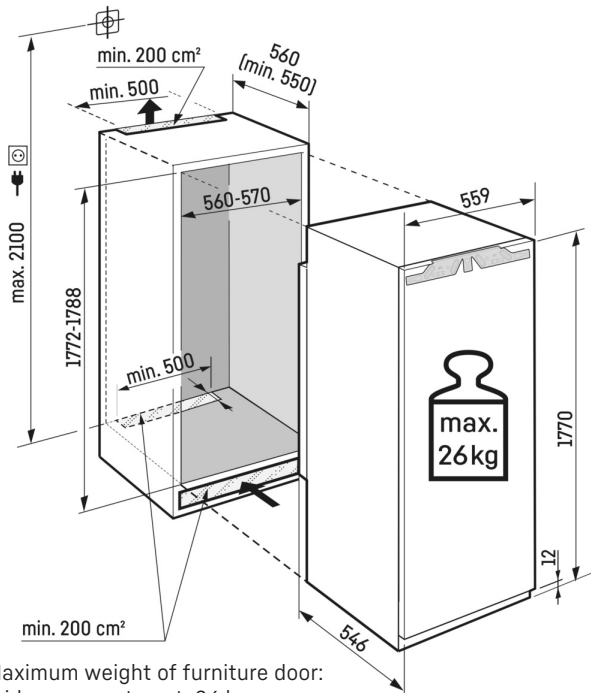
Light creates special design effects – and this includes in your refrigerator with our ambient lighting. The all-round lighting creates unique effects in the interior. And, together with the rear wall in SmartSteel design and the black high-gloss fan, it creates an atmospheric ambience.



LightTower

Enjoy an optimally illuminated interior: the LightTower shows off the food in its best light and is positioned so that all of your filled fridge is illuminated at all times. The flush mounting of the LightTower in the side walls means there is also more space for your food.

Technical drawing



Maximum weight of furniture door:
Fridge compartment: 26 kg

Products and their details are staged for advertising purposes. Whilst every effort is made to ensure all specifications and information in this flyer are accurate, Liebherr reserves the right to make changes without notification. Where actual appliance measurements, specifications, and ratings are crucial, we recommend that the actual appliance installation instructions that accompany each appliance be checked. (27.11.2023)

