

Crawler crane

# LR 1300.1 SX

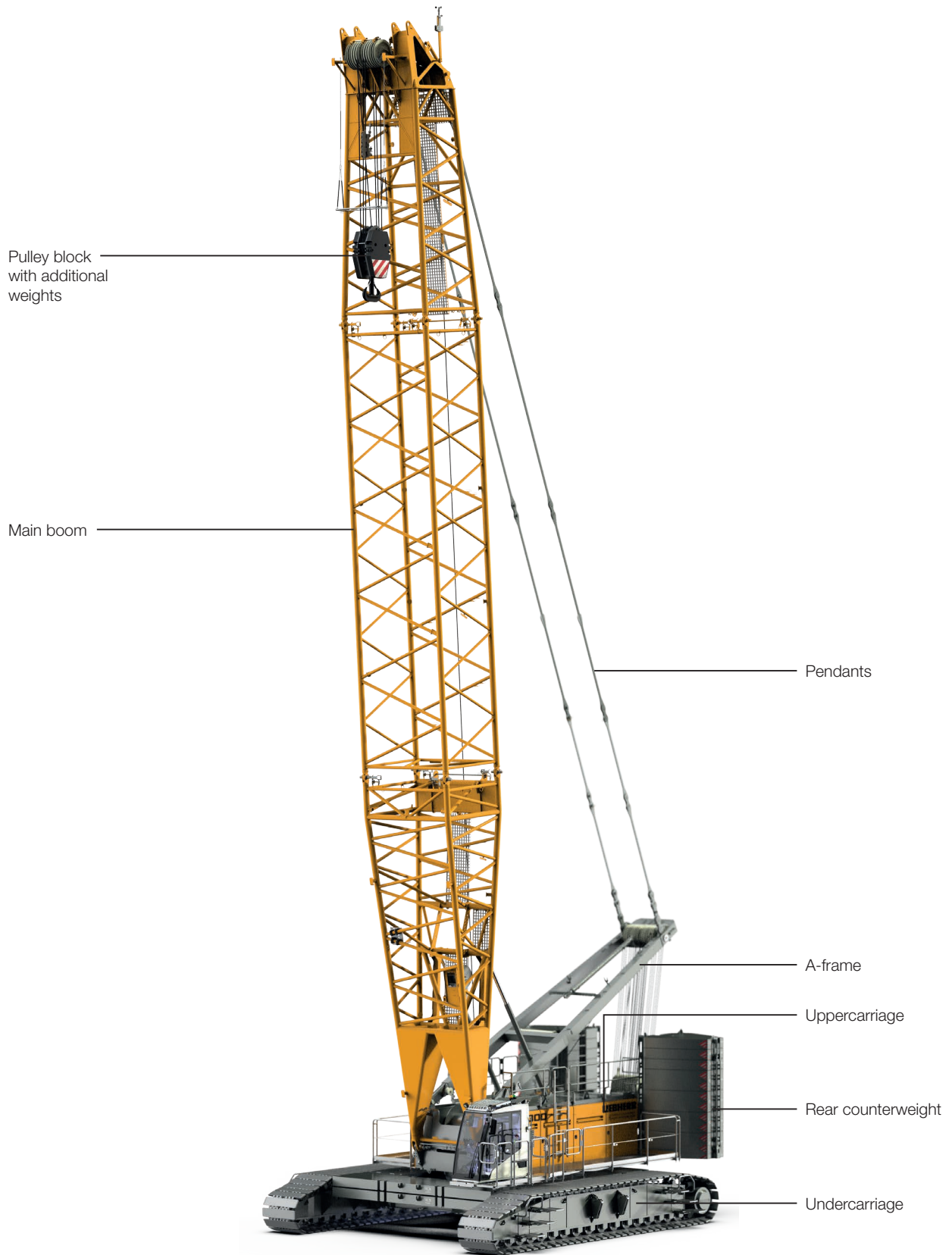
EN

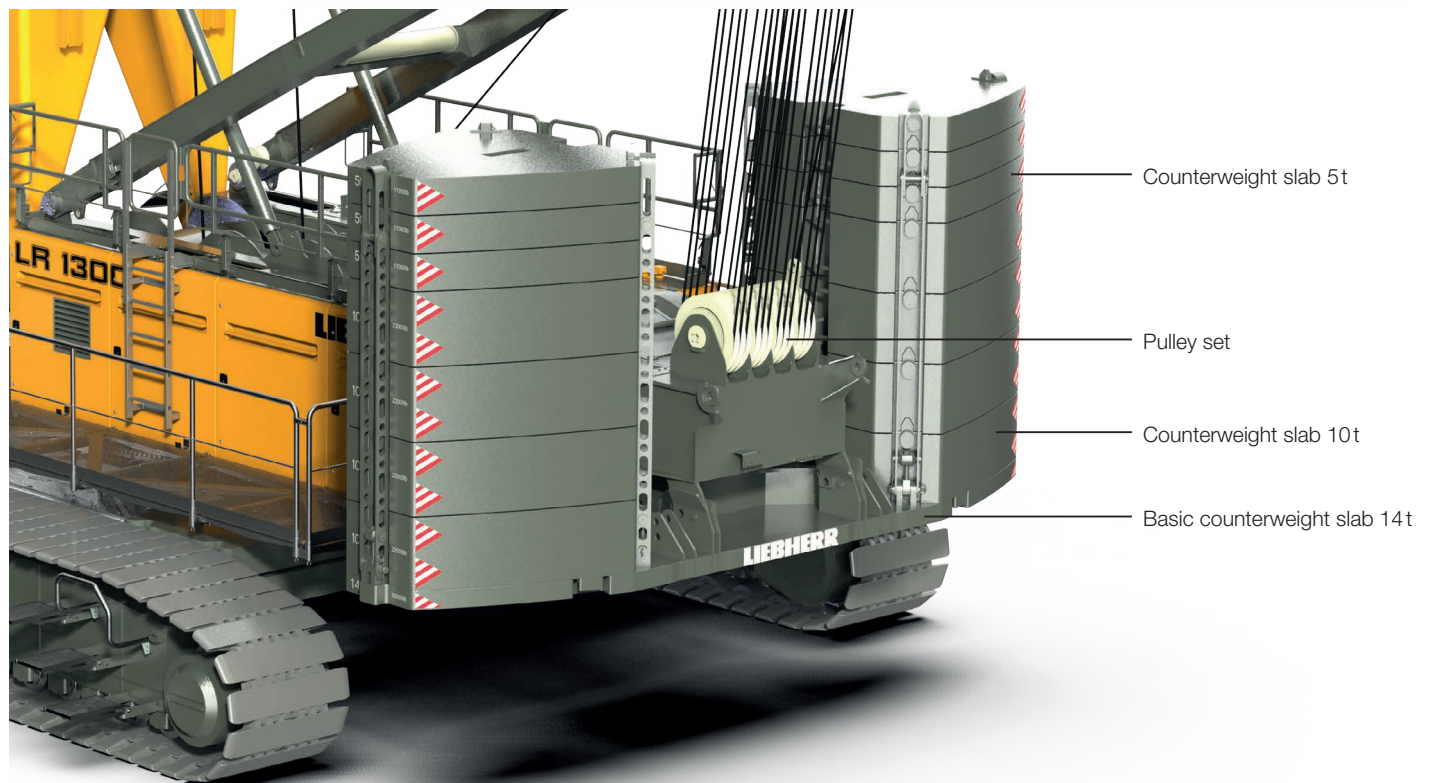
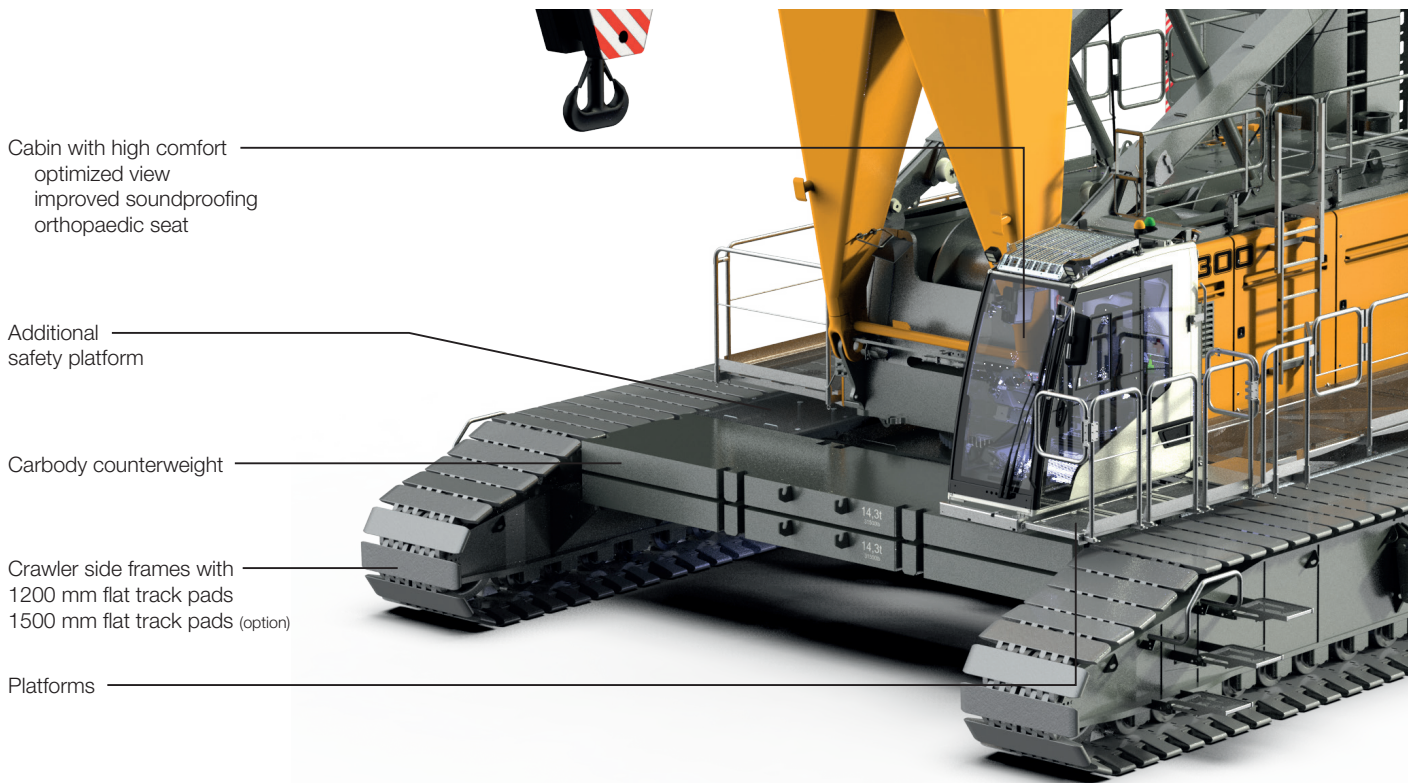
LR 1006.02.07



# LIEBHERR

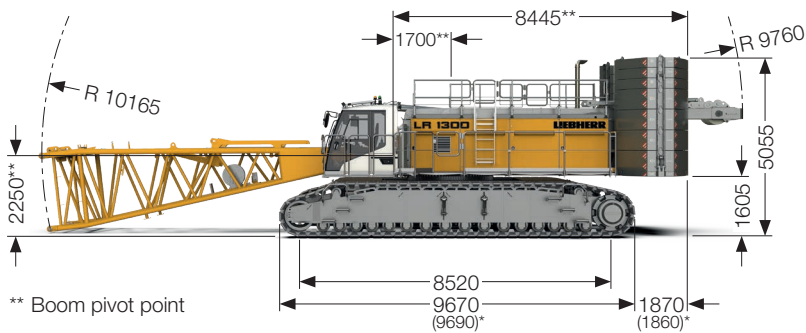
# Concept and characteristics





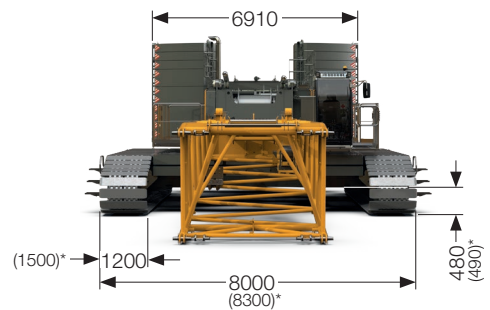
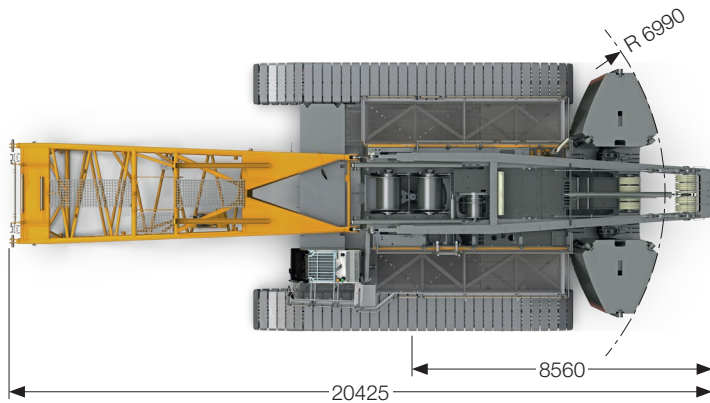
# Dimensions

## Standard



\*\* Boom pivot point

\* Option: crawler side frames with 1500 mm flat track pads



### Operating weight

The operating weight includes the basic machine with crawler side frames, winches 1+2 (2x 150 kN) incl. 2 hoist ropes (2x 240 m) and 20 m main boom, consisting of A-frame, boom foot (10 m), boom head (7 m), boom section (3 m), 124 t rear counterweight, 57 t carbody counterweight and 300 t pulley block.

Total weight approx. 290 t

### Ground pressure

The actual ground pressure is calculated according to the configuration and position of the machine and displayed in the operator's cabin. Using the optional Liebherr Crane Planner the actual ground pressure can already be calculated and displayed in the planning stage.

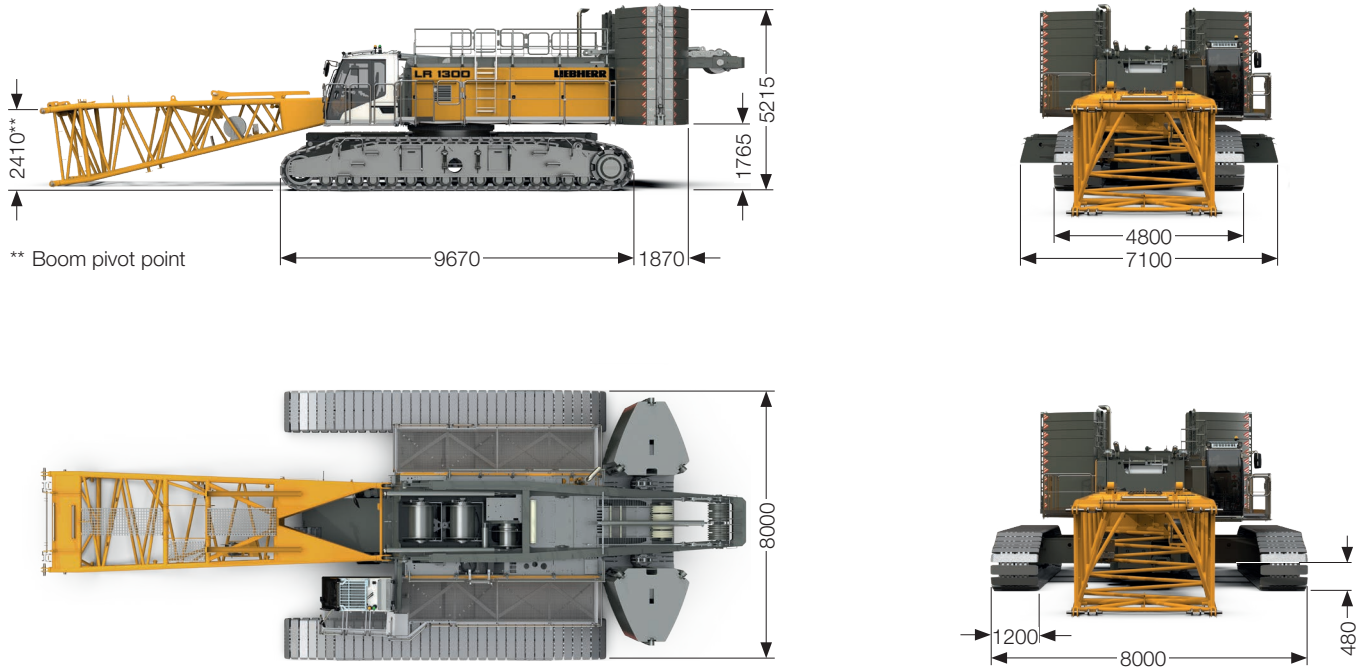
### Equipment

Main boom (No. 2821.xx)	20-92 m
Fixed jib (No. 0906.21)	7 m
Fixed jib (No. 1507.20)	8 m
Fixed jib (No. 1008.xx)	11-26 m
Fixed jib (No. 1713.xx)	14-35 m
Luffing jib (No. 1916.xx)	20-95 m
Max. boom combination (main boom 65 m + luffing jib 95 m)	160 m
Luffing jib (No. 2316.xx)	20-113 m
Max. boom combination (main boom 56 m + luffing jib 113 m)	169 m
Auxiliary jib for main boom (No. 2821.xx)	36 t
Auxiliary jib for luffing jib (No. 1916.xx)	15 t
Auxiliary jib for luffing jib (No. 2316.xx)	30/45 t

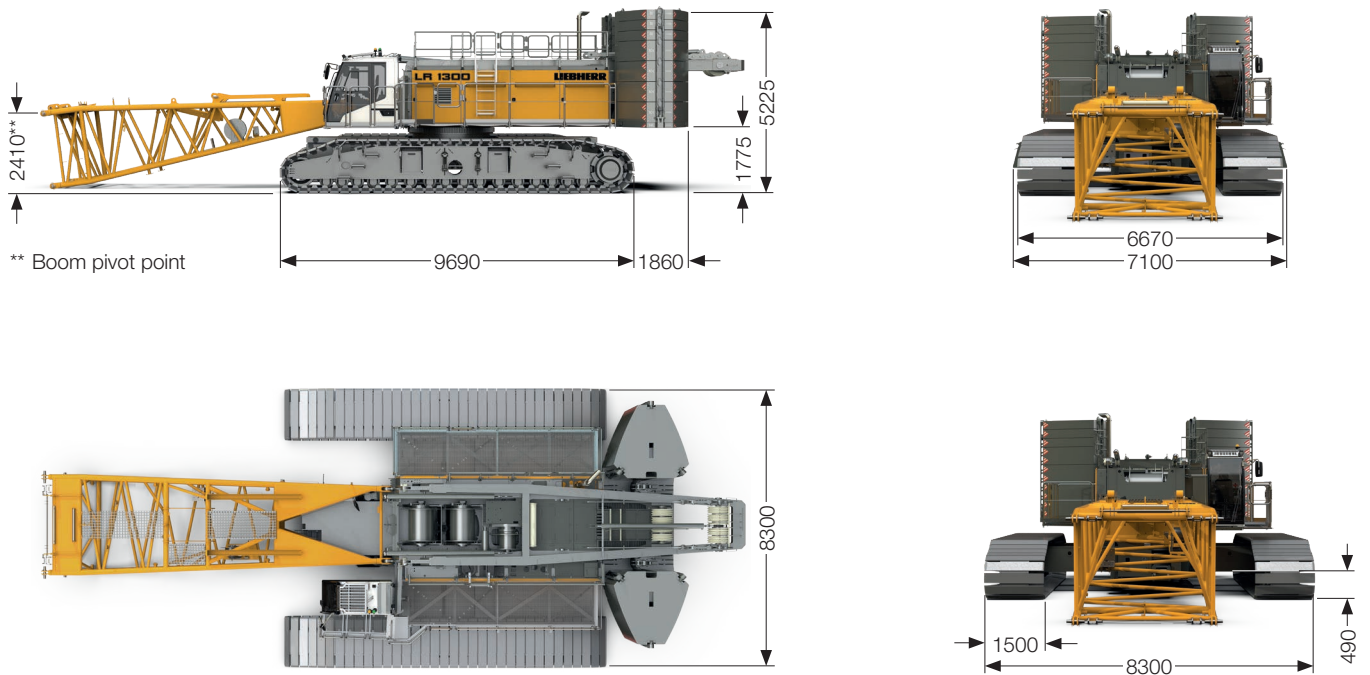
### Remarks

- The lifting capacities stated are valid for lifting operation only (corresponding with crane classification according to ISO 4301-1, crane group A1).
- Machine standing on firm, horizontal ground.
- The weight of the lifting device (pulley block, hoist ropes, shackle etc.) must be deducted from the gross lifting capacity to obtain a net lifting value.
- Additional equipment on boom (e.g. platforms) must be deducted from the load capacity.
- The max. admissible wind speed can be preselected in the LML software and is shown in the load chart.
- Working radii are measured from centre of swing and under load.
- The lifting capacities are valid for 360 degrees of swing.
- Calculation of stability under load is based on ISO 4305 Table 1+2+3, tipping angle 4°.
- The structures are calculated according to EN 13001-1; EN 13001-2.
- The last digits of the given dimensions are rounded to 0 and 5 and may differ from the actual dimensions.
- Weights may vary depending on the delivered configuration of the machine, filling level of the tanks as well as generally valid tolerances.
- The figures in this brochure may include options which are not within the standard scope of supply of the machine.

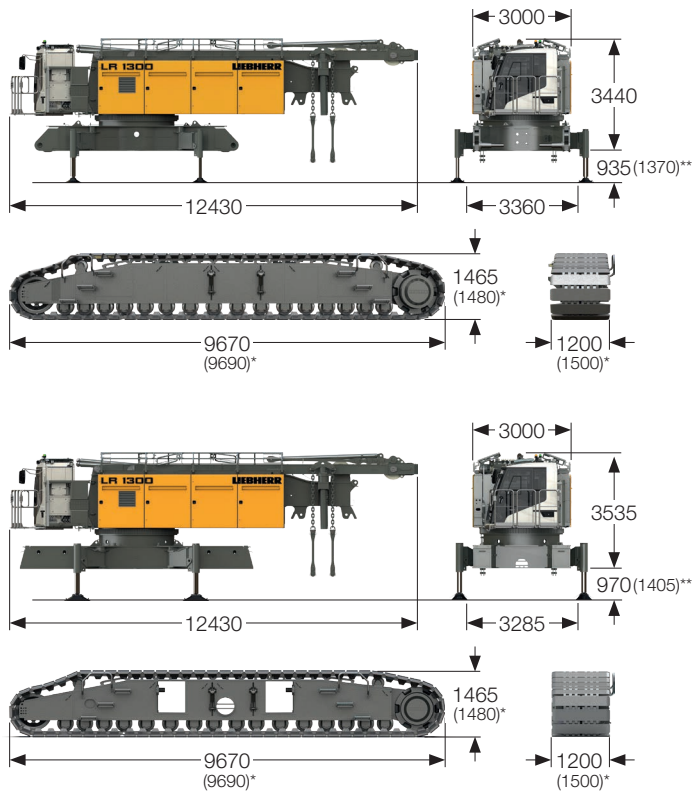
Undercarriage with adjustable track width – 1200 mm flat track pads (option)



Undercarriage with adjustable track width – 1500 mm flat track pads (option)



# Transport dimensions and weights



## Basic machine

### Basic machine

with A-frame 1, winches 1 + 2 (2x 150kN), without boom foot, without rear counterweight, without carbody counterweight and crawler side frames

Weight without hoist rope	46000 kg
Weight of hoist rope	4.2 kg/m

### Crawler side frame

	Standard	Option
Flat track pads	1200 mm	1500 mm
Weight	22350 kg	26200 kg

### Basic machine with adjustable track width (option)

with A-frame, winches 1 + 2 (2x 150kN), without boom foot, without rear counterweight, without carbody counterweight and crawler side frames

Weight without hoist rope	46500 kg
Weight of hoist rope	4.2 kg/m

### Crawler side frame adjustable (option)

	Standard	Option
Flat track pads	1200 mm	1500 mm
Weight	23000 kg	26850 kg

## Counterweight

### Basic counterweight slab without tie-down

Weight	14000 kg
--------	----------

### Counterweight slab

Weight	5000 kg
--------	---------

### Counterweight slab

Weight	10000 kg
--------	----------

### Carbody counterweight (for undercarriage with fixed track width)

	Standard	Option*
Weight	14300 kg	13400 kg

### Carbody counterweight (for undercarriage with adjustable track width)

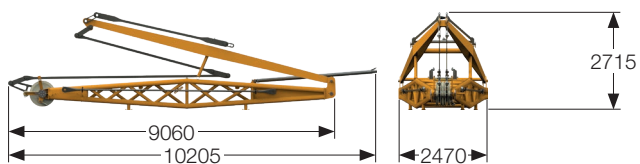
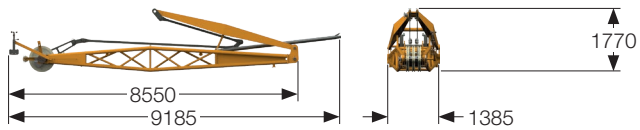
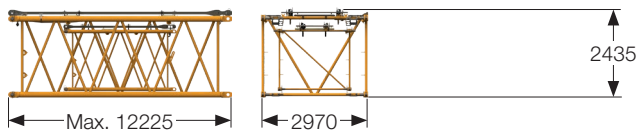
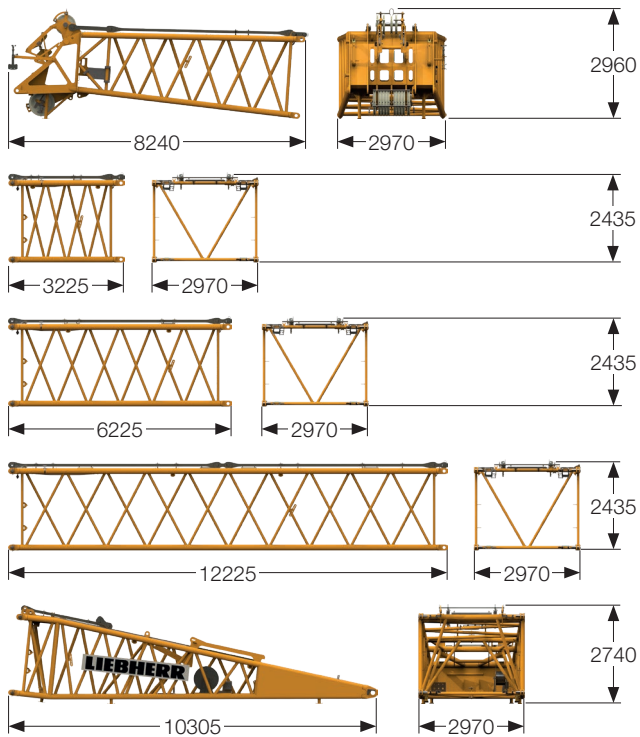
	Standard	Option*
Weight	7500 kg	5550 kg

### Carbody counterweight (for undercarriage with adjustable track width)

Weight	18800 kg
--------	----------

\* Option: crawler side frames with 1500 mm flat track pads

\*\* Option: telescopic jack-up cylinders



## Main boom (No. 2821.xx)

<b>Boom head</b> (No. 2821.24)	<b>7 m</b>
Weight incl. boom pendants	5400 kg

<b>Boom section</b> (No. 2821.30)	<b>3 m</b>
Weight incl. boom pendants	1400 kg
Weight incl. boom and jib pendants	1500 kg

<b>Boom section</b> (No. 2821.30)	<b>6 m</b>
Weight incl. boom pendants	2130 kg
Weight incl. boom and jib pendants	2310 kg

<b>Boom section</b> (No. 2821.30)	<b>12 m</b>
Weight incl. boom pendants	3760 kg
Weight incl. boom and jib pendants	4120 kg

<b>Boom foot</b> (No. 2821.30)	<b>10 m</b>
Weight incl. winch with rope	7400 kg
Weight without winch	5700 kg

## Transport option

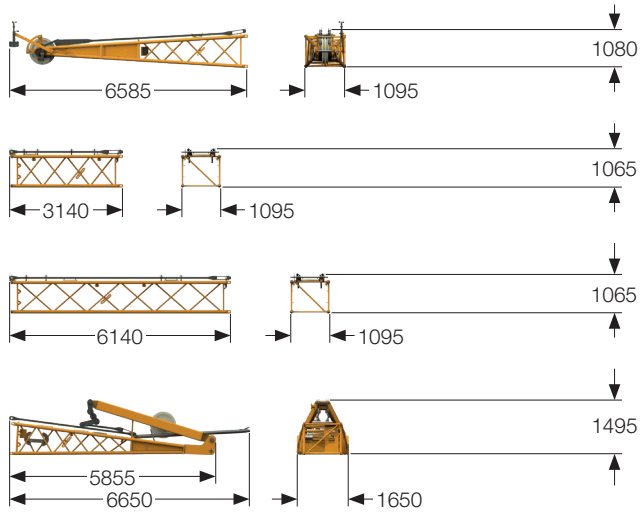
<b>Transport option</b> (No. 2821.xx/2316.xx)			
3 m main boom and jib section			
6 m main boom and jib section			
12 m main boom and jib section			
	3/3 m	6/6 m	12/12 m
Weight incl. pendants	2100 kg	3260 kg	5920 kg

## Fixed jib (No. 0906.21)

<b>Fixed jib</b> (No. 0906.21)	<b>7 m</b>
Weight incl. pendants	2400 kg

## Fixed jib (No. 1507.20)

<b>Fixed jib</b> (No. 1507.20)	<b>8 m</b>
Weight incl. pendants	3300 kg



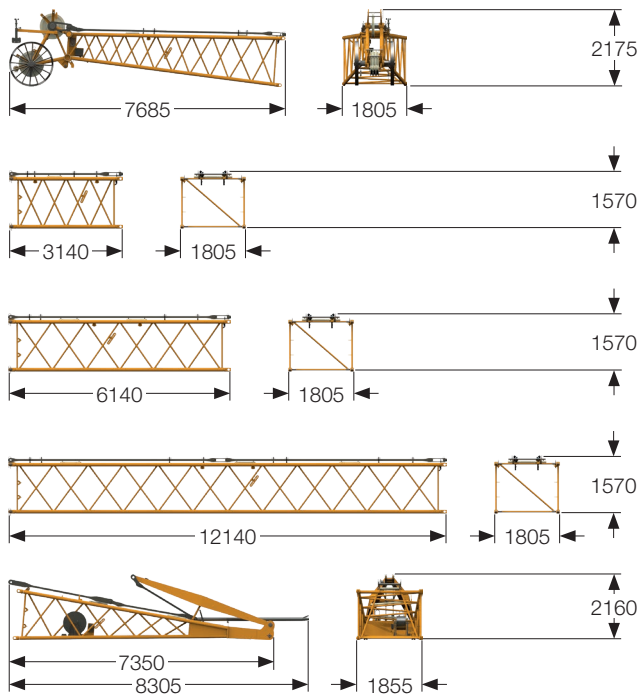
## Fixed jib (No. 1008.xx)

<b>Jib head</b> (No. 1008.20)	<b>5.5 m</b>
Weight incl. pendants	920 kg

<b>Jib section</b> (No. 1008.17)	<b>3 m</b>
Weight incl. pendants	300 kg

<b>Jib section</b> (No. 1008.17)	<b>6 m</b>
Weight incl. pendants	630 kg

<b>Jib foot with A-frame</b> (No. 1008.20)	<b>5.5 m</b>
Weight incl. pendants	1950 kg



## Fixed jib (No. 1713.xx)

<b>Jib head</b> (No. 1713.21)	<b>7 m</b>
Weight incl. pendants	1375 kg

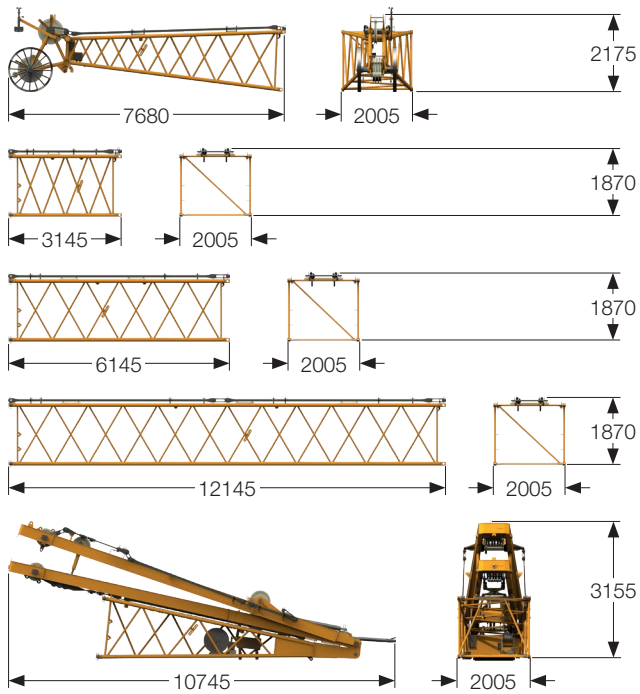
<b>Jib section</b> (No. 1713.18)	<b>3 m</b>
Weight incl. pendants	420 kg

<b>Jib section</b> (No. 1713.18)	<b>6 m</b>
Weight incl. pendants	630 kg

<b>Jib section</b> (No. 1713.18)	<b>12 m</b>
Weight incl. pendants	1140 kg

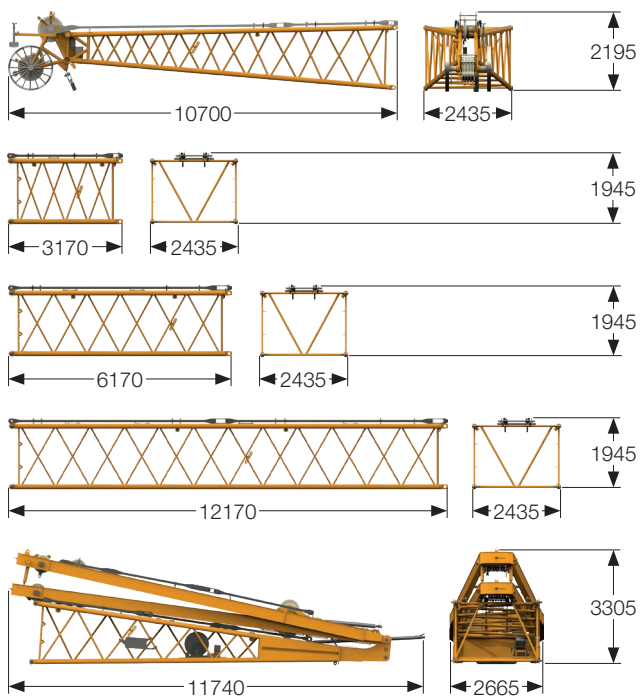
<b>Jib foot with A-frame</b> (No. 1713.22)	<b>7 m</b>
Weight incl. pendants	4620 kg





## Luffing jib (No. 1916.xx)

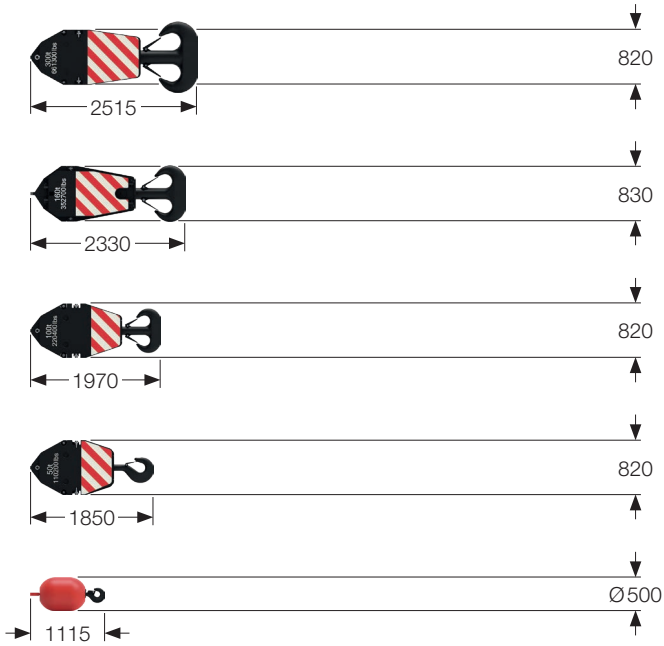
<b>Jib head</b> (No. 1916.21)	<b>7 m</b>
Weight incl. pendants	1550 kg
<b>Jib section</b> (No. 1916.18)	<b>3 m</b>
Weight incl. pendants	475 kg
<b>Jib section</b> (No. 1916.18)	<b>6 m</b>
Weight incl. pendants	690 kg
<b>Jib section</b> (No. 1916.18)	<b>12 m</b>
Weight incl. pendants	1250 kg
<b>Jib foot with A-frames 2 + 3</b> (No. 1916.22)	<b>7 m</b>
Weight incl. pendants	6300 kg



## Luffing jib (No. 2316.xx)

<b>Jib head</b> (No. 2316.20)	<b>10 m</b>
Weight incl. pendants	2300 kg
<b>Jib section</b> (No. 2316.20)	<b>3 m</b>
Weight incl. pendants	600 kg
<b>Jib section</b> (No. 2316.20)	<b>6 m</b>
Weight incl. pendants	950 kg
<b>Jib section</b> (No. 2316.20)	<b>12 m</b>
Weight incl. pendants	1800 kg
<b>Jib foot with A-frames 2 + 3</b> (No. 2316.22)	<b>10 m</b>
Weight incl. pendants	8060 kg

## Pulley block with additional weights / load hooks



### 300 t pulley block – 11 pulleys

Width	1220 mm
Weight	3200/5500 kg

### 160 t pulley block – 5 pulleys

Width	925 mm
Weight	1600/2800/4000 kg

### 100 t pulley block – 3 pulleys

Width	625 mm
Weight	1100/2050/3000 kg

### 50 t pulley block – 1 pulley

Width	540 mm
Weight	800/1600/2400 kg

### 16 t load hook

Weight	900 kg
--------	--------

# Technical description



## Diesel engine

Power rating according to ISO 9249, 390 kW (523 hp) at 1700 rpm  
Engine type \_\_\_\_\_ Liebherr D 946  
Fuel tank \_\_\_\_\_ 750 l capacity with continuous level indicator and reserve warning  
Version 1: EU Stage V and US Tier 4f; version 2: US Tier 4f; version 3: EU Stage IIIA (Power Band H); version 4: no certification



## Hydraulic system

A double axial displacement pump supplies the main boom and luffing jib winch and the crawlers in open circuits. Winches 1 + 2 and the swing gear work in closed circuits. All movements can be performed simultaneously. To minimize peak pressure an automatic working pressure cut-off is integrated in the pump. All filters are electronically monitored. The use of synthetic environmentally friendly oil is also possible. Furthermore, an emergency operation mode is installed.

Working pressure \_\_\_\_\_ max. 350 bar  
Hydraulic oil tank capacity \_\_\_\_\_ 650 l



## Luffing jib winch

Line pull \_\_\_\_\_ max. 138 kN  
Rope diameter \_\_\_\_\_ 20 mm  
Jib luffing \_\_\_\_\_ 69 sec. from 15° to 78°



## Boom winch

Line pull \_\_\_\_\_ max. 180 kN  
Rope diameter \_\_\_\_\_ 24 mm  
Boom up \_\_\_\_\_ 127 sec. from 15° to 86°



## Crawlers

Propulsion through axial piston motor, hydraulically released spring loaded multi-disc brake, crawler tracks, hydraulic chain tensioning device.

Flat track pads \_\_\_\_\_ 1200 mm (option 1500 mm)  
Drive speed \_\_\_\_\_ 0-1.23 km/h



## Swing gear

Consists of rollerbearing with external teeth, swing gear with fixed axial piston hydraulic motor, spring loaded and hydraulically released multi-disc holding brake, planetary gearbox and pinion. Both swing modes are possible – speed control or free swing. A multi-disc holding brake acts automatically at zero swing motion.  
Swing speed from 0 - 1.8 rpm continuously variable.



## Hoisting gear

Standard crane winches 1 + 2  
Line pull in the 1<sup>st</sup> layer \_\_\_\_\_ max. 215 kN  
Line pull in the 7<sup>th</sup> layer \_\_\_\_\_ 150 kN  
Rope diameter \_\_\_\_\_ 28 mm  
Drum diameter \_\_\_\_\_ 730 mm  
Rope speed \_\_\_\_\_ 0-113.5 m/min  
Rope capacity in 7 layers \_\_\_\_\_ 570 m

The winches are outstanding in their compact design and easy assembly. Propulsion is via a planetary gearbox in an oil bath. Load support by the hydraulic system; additional safety factor by a spring-loaded, multi-disc holding brake. The main winches use pressure controlled, variable flow hydraulic motors. This system features sensors that automatically adjust oil flow to provide max. winch speed depending on load.

Optional free-fall winches:

Line pull in the 1<sup>st</sup> layer (crane operation) \_\_\_\_\_ max. 190 kN  
Line pull in the 7<sup>th</sup> layer (crane operation) \_\_\_\_\_ 130 kN  
Line pull in the 1<sup>st</sup> layer (free-fall operation) \_\_\_\_\_ max. 170 kN  
Line pull in the 7<sup>th</sup> layer (free-fall operation) \_\_\_\_\_ 118 kN  
Rope diameter \_\_\_\_\_ 28 mm  
Drum diameter \_\_\_\_\_ 730 mm  
Rope speed \_\_\_\_\_ 0-130 m/min  
Rope capacity in 7 layers \_\_\_\_\_ 570 m

The winches are outstanding in their compact design and easy assembly. Clutch and braking functions on the free-fall system are provided by a compact designed, low wear and maintenance-free multi-disc brake.



## Control

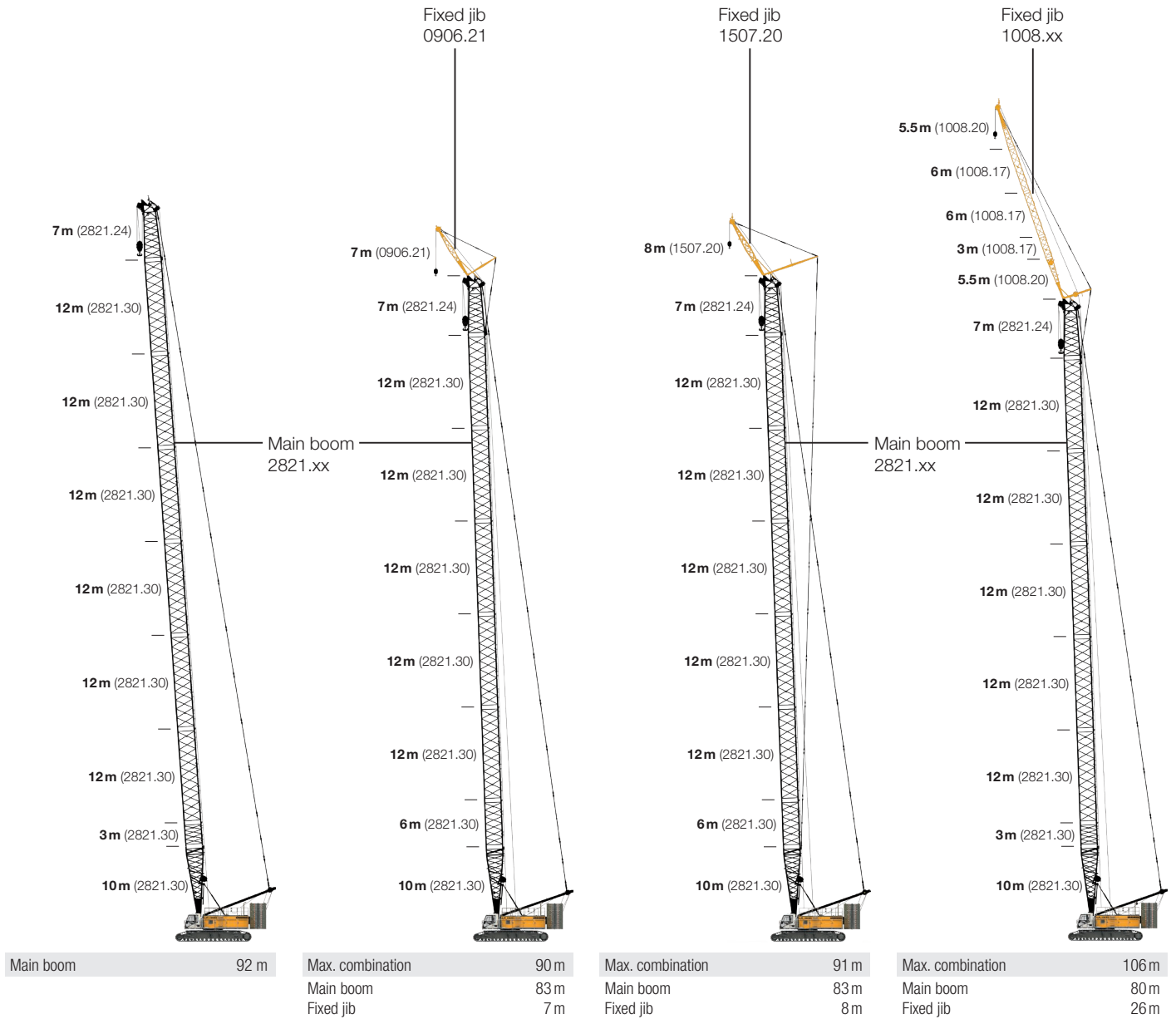
The heart of the hydraulic crawler cranes is the Liebherr control system which has been developed and manufactured in-house. It includes all control and monitoring functions and is designed to withstand extreme environmental conditions and heavy duty construction tasks. Complete machine operating data as well as warning signals and irregularities are clearly displayed on the monitor in the operator's cabin in the required language. The electro-hydraulic proportional control allows several movements to be performed simultaneously and precisely. Moreover, the power cut-off depends on the preselected and expected wind speed and the preselected drive speed level. The operating mode "Lifting" is supplied as a standard. As an option operating modes such as grab operation, personnel lifting, foundation work according to EN 16228 (e.g. vibrator and leader operation) and barge charts can be enabled in the software. The display of ground pressure and centre of gravity is another option.



## Noise measurement data and vibration

Noise emissions correspond with 2000/14/EC directive.  
Emission sound pressure level  $L_{PA}$  in the cabin \_\_\_\_\_ 71.1 dB(A)  
Guaranteed sound power level  $L_{WA}$  \_\_\_\_\_ 110 dB(A)  
Vibration transmitted to the hand-arm system of the machine operator \_\_\_\_\_ < 2.5 m/s<sup>2</sup>  
Vibration transmitted to the whole body of the machine operator \_\_\_\_\_ < 0.5 m/s<sup>2</sup>

# Boom combinations

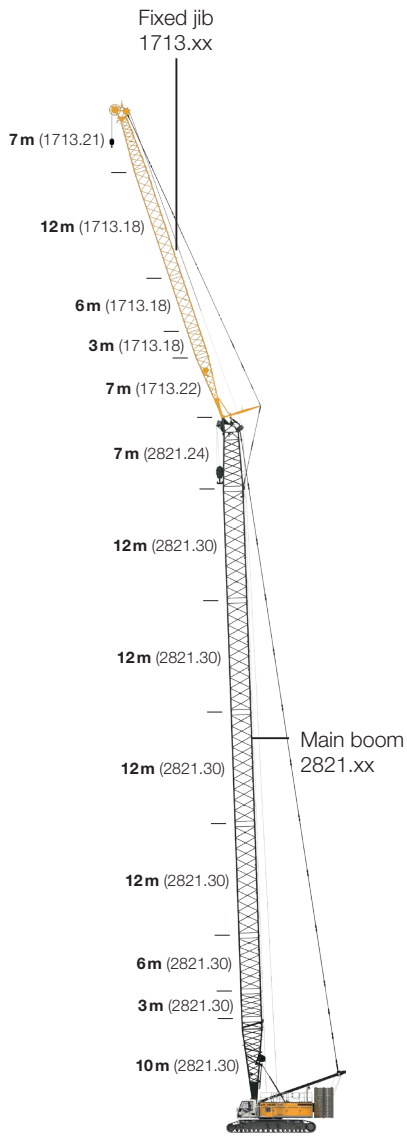


Further information on page 16.

Further information on page 18.

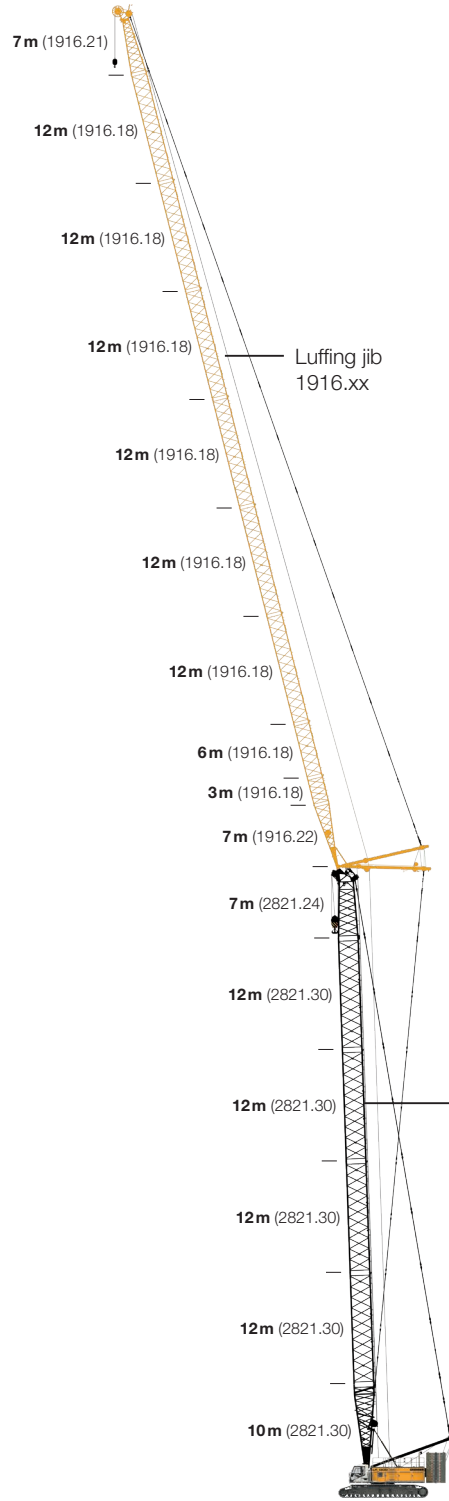
Further information on page 20.

Further information on page 22.



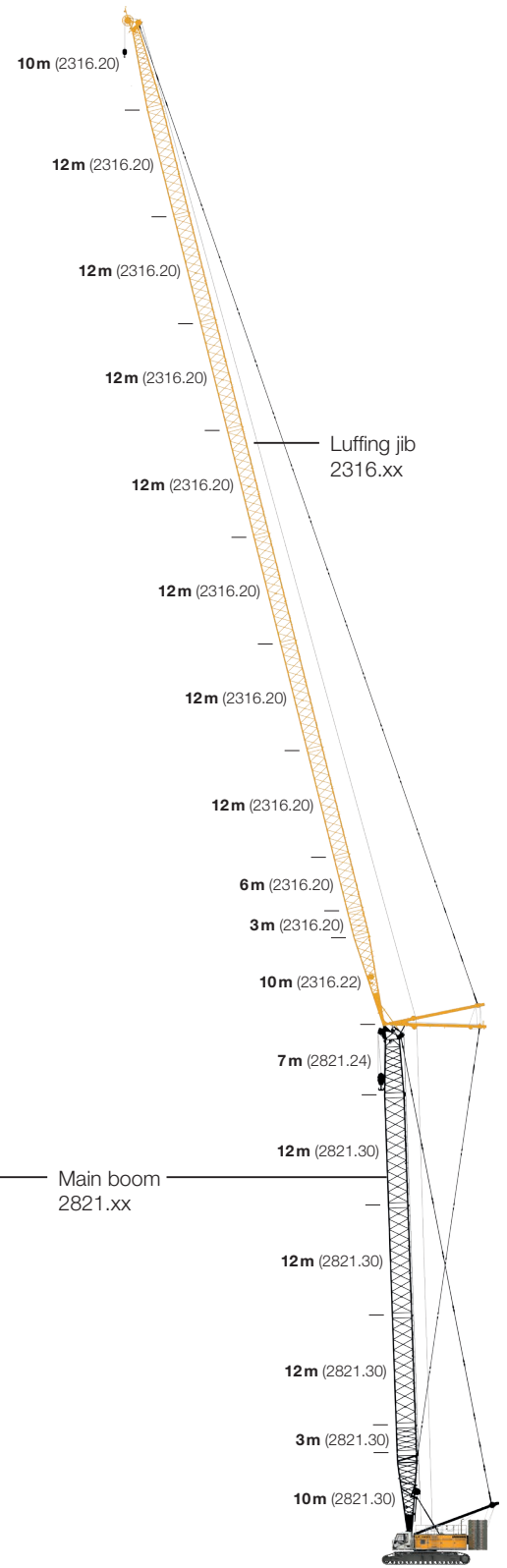
Max. combination	109 m
Main boom	74 m
Fixed jib	35 m

Further information on page 25.



Max. combination	160 m
Main boom	65 m
Luffing jib	95 m
Max. combination	115 m
Main boom	71 m
Luffing jib	44 m

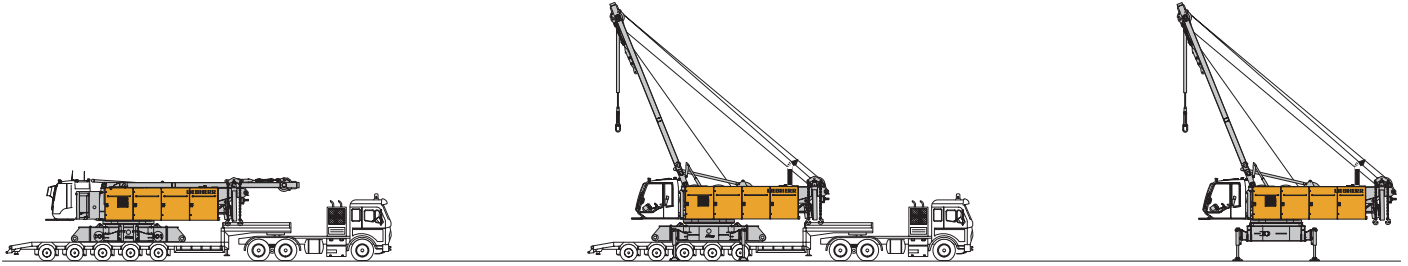
Further information on page 28.



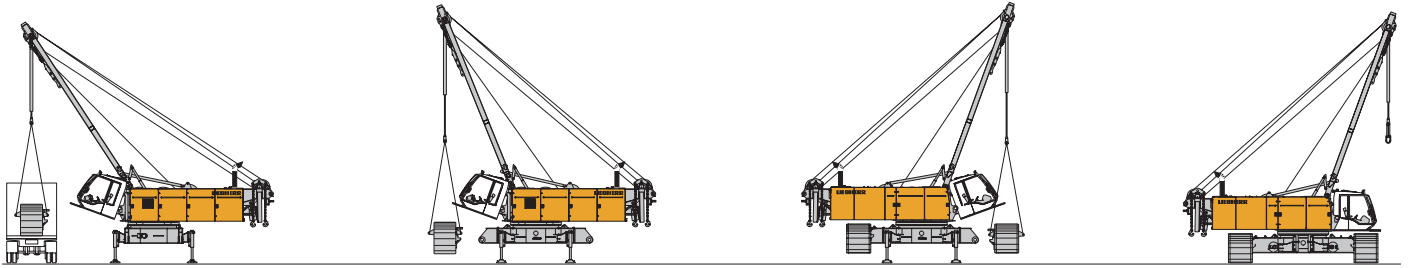
Max. combination	169 m
Main boom	56 m
Luffing jib	113 m
Max. combination	106 m
Main boom	68 m
Luffing jib	38 m

Further information on page 32.

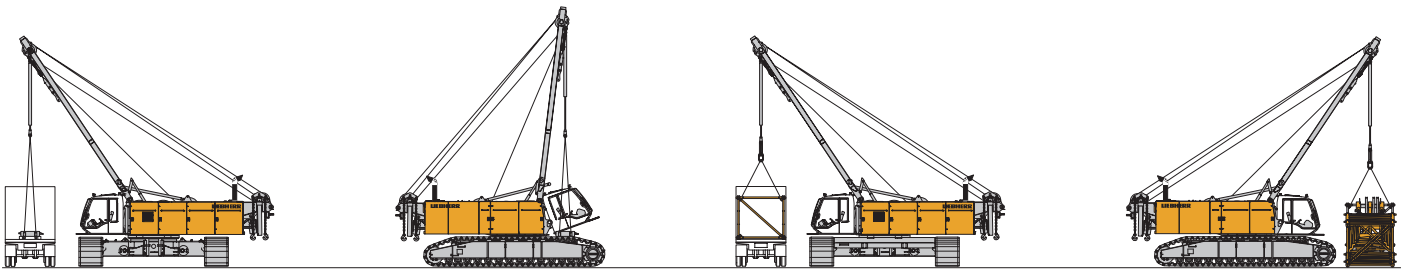
# Self-assembly system of the crawler crane series



Unloading of basic machine

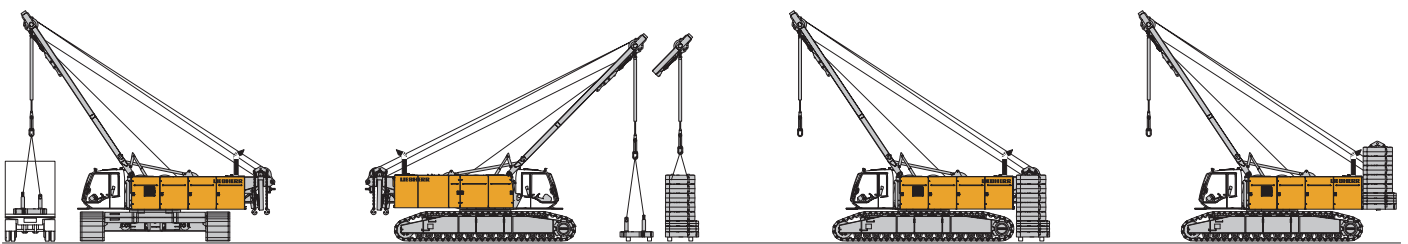


Unloading and assembly of crawler side frames

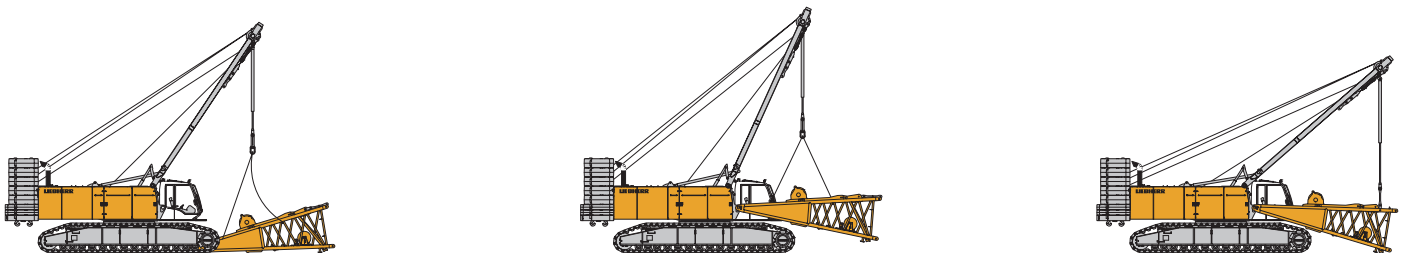


Unloading and assembly of carbody counterweight

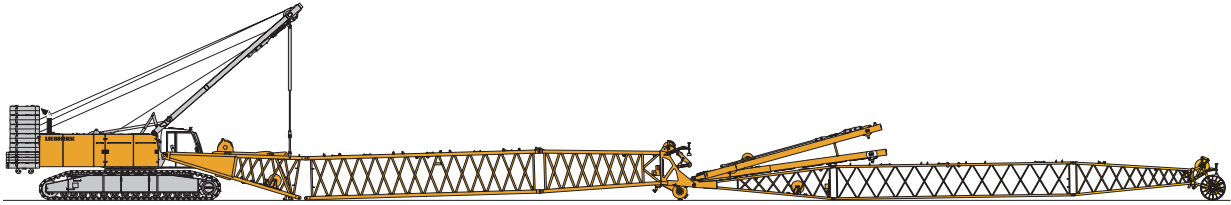
Unloading and assembly of boom



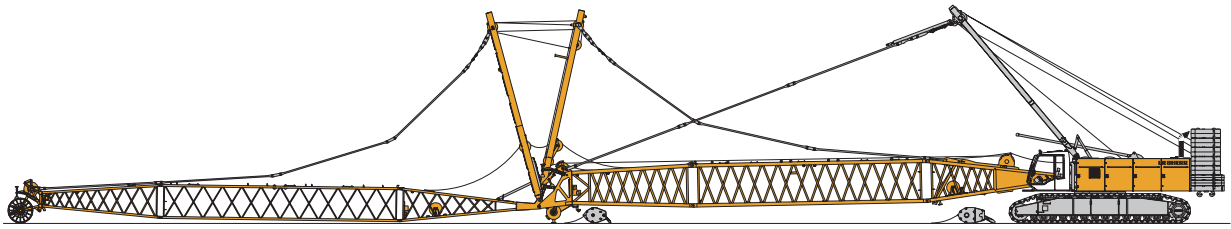
Unloading and assembly of rear counterweight



Unloading and assembly of main boom foot



Assembly of boom



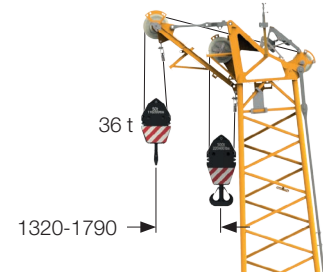
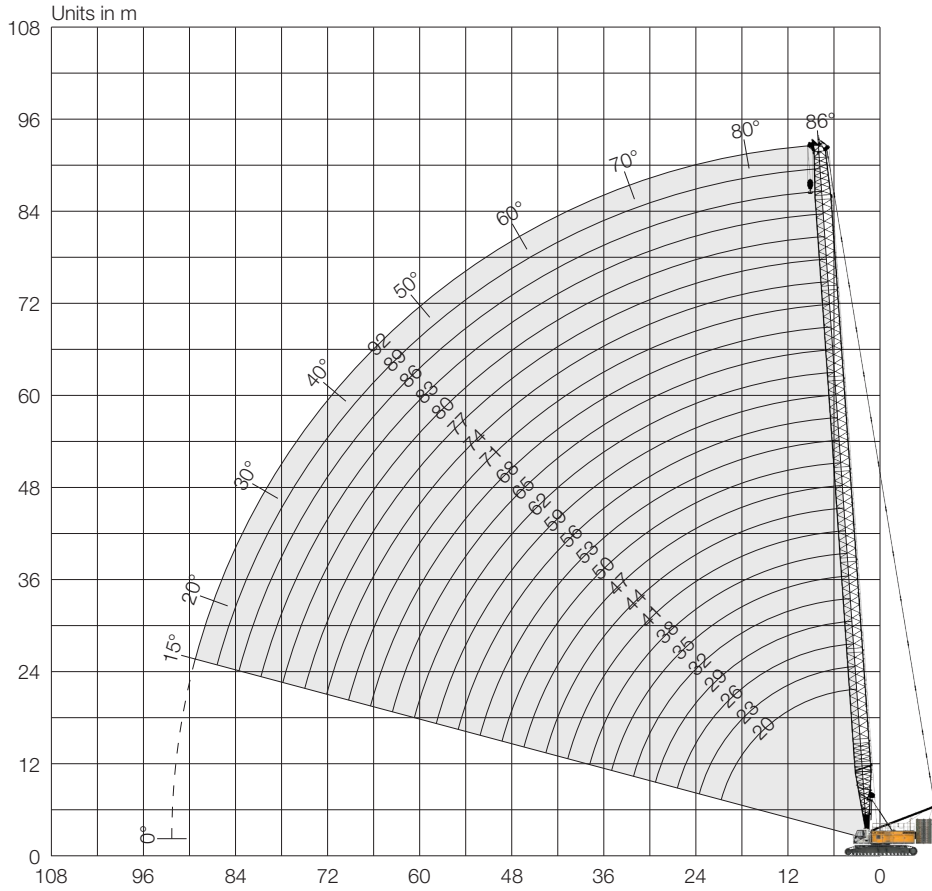
Reeving of hoist and luffing jib ropes



Erecting of main boom and luffing jib

# Main boom (No. 2821.xx)

Main boom 86-15°, 20-92 m



**Auxiliary jib 36 t (option)**  
 The maximum capacity of the auxiliary jib is 36 t. The corresponding load chart is programmed in the LML system.

Main boom 92 m

## Main boom configuration (No. 2821.xx)

	Length	Amount of boom sections																								
Boom foot	10 m	1	1	1	1	1	1	1	1	1	1	1	1	1	1	1	1	1	1	1	1	1	1			
Boom section	3 m	1		1		1		1		1		1		1		1		1		1		1				
Boom section	6 m		1	1		1	1		1	1		1	1		1	1		1	1		1	1				
Boom section	12 m				1	1	1	1	2	2	2	2	3	3	3	3	4	4	4	4	5	5	5	5	6	6
Boom head	7 m	1	1	1	1	1	1	1	1	1	1	1	1	1	1	1	1	1	1	1	1	1	1	1	1	
<b>Boom length [m]</b>		<b>20</b>	<b>23</b>	<b>26</b>	<b>29</b>	<b>32</b>	<b>35</b>	<b>38</b>	<b>41</b>	<b>44</b>	<b>47</b>	<b>50</b>	<b>53</b>	<b>56</b>	<b>59</b>	<b>62</b>	<b>65</b>	<b>68</b>	<b>71</b>	<b>74</b>	<b>77</b>	<b>80</b>	<b>83</b>	<b>86</b>	<b>89</b>	<b>92</b>
Auxiliary jib applicable		✓	✓	✓	✓	✓	✓	✓	✓	✓	✓	✓	✓	✓	✓	✓	✓	✓	✓	✓	✓	✓	✓	✓	✓	✓



## Load capacities with main boom (No. 2821.xx)

### Load capacities with 104t rear counterweight and 57t carbody counterweight

Radius	Boom length [m]														Radius
	20	23	26	32	38	44	50	56	62	68	74	80	83	86	
[m]	[t]	[t]	[t]	[t]	[t]	[t]	[t]	[t]	[t]	[t]	[t]	[t]	[t]	[t]	[m]
4.3	300.5														4.3
5	300.5	296.3	299.6												5
6	262.9	260.0	256.1	245.5	236.5	213.4									6
7	225.5	225.3	222.0	215.8	206.9	198.3	189.3	169.3							7
8	195.9	195.7	195.2	191.1	184.6	178.4	168.6	161.3	151.1	135.3					8
9	172.9	172.8	172.2	171.8	166.0	160.2	152.7	145.0	137.8	131.1	118.7	103.1	95.6	88.9	9
12	126.8	126.7	126.2	125.8	122.6	117.3	112.1	107.4	102.8	98.5	94.4	90.5	87.5	83.3	12
14	107.0	106.9	106.5	106.1	102.8	98.7	94.7	91.0	87.3	83.9	80.5	77.4	75.8	74.3	14
16	89.2	89.3	89.2	89.1	88.1	84.8	81.5	78.5	75.5	72.6	69.8	67.1	65.8	64.5	16
20	65.2	65.5	65.4	65.3	64.8	64.5	63.1	60.8	58.5	56.4	54.2	52.2	51.1	50.1	20
24		50.8	50.8	50.8	50.3	49.9	49.3	48.8	47.1	45.3	43.5	41.8	40.9	40.0	24
26			45.3	45.4	44.9	44.5	43.9	43.4	42.6	41.0	39.3	37.7	36.9	36.0	26
32				33.7	33.4	33.0	32.4	31.8	31.2	30.6	29.5	28.2	27.5	26.7	32
38					25.7	25.4	24.8	24.3	23.6	23.0	22.3	21.4	20.8	20.1	38
42						21.6	21.0	20.5	19.8	19.2	18.5	17.9	17.4	16.7	42
50							15.3	15.0	14.3	13.7	13.0	12.4	12.0	11.6	50
55								12.3	11.7	11.1	10.4	9.7	9.4	9.0	55
60									9.4	8.9	8.2	7.5	7.2	6.8	60
65										7.0	6.3	5.7	5.4	5.0	65
70											4.7	4.1	3.7	3.2	70
75												2.5	2.1		75

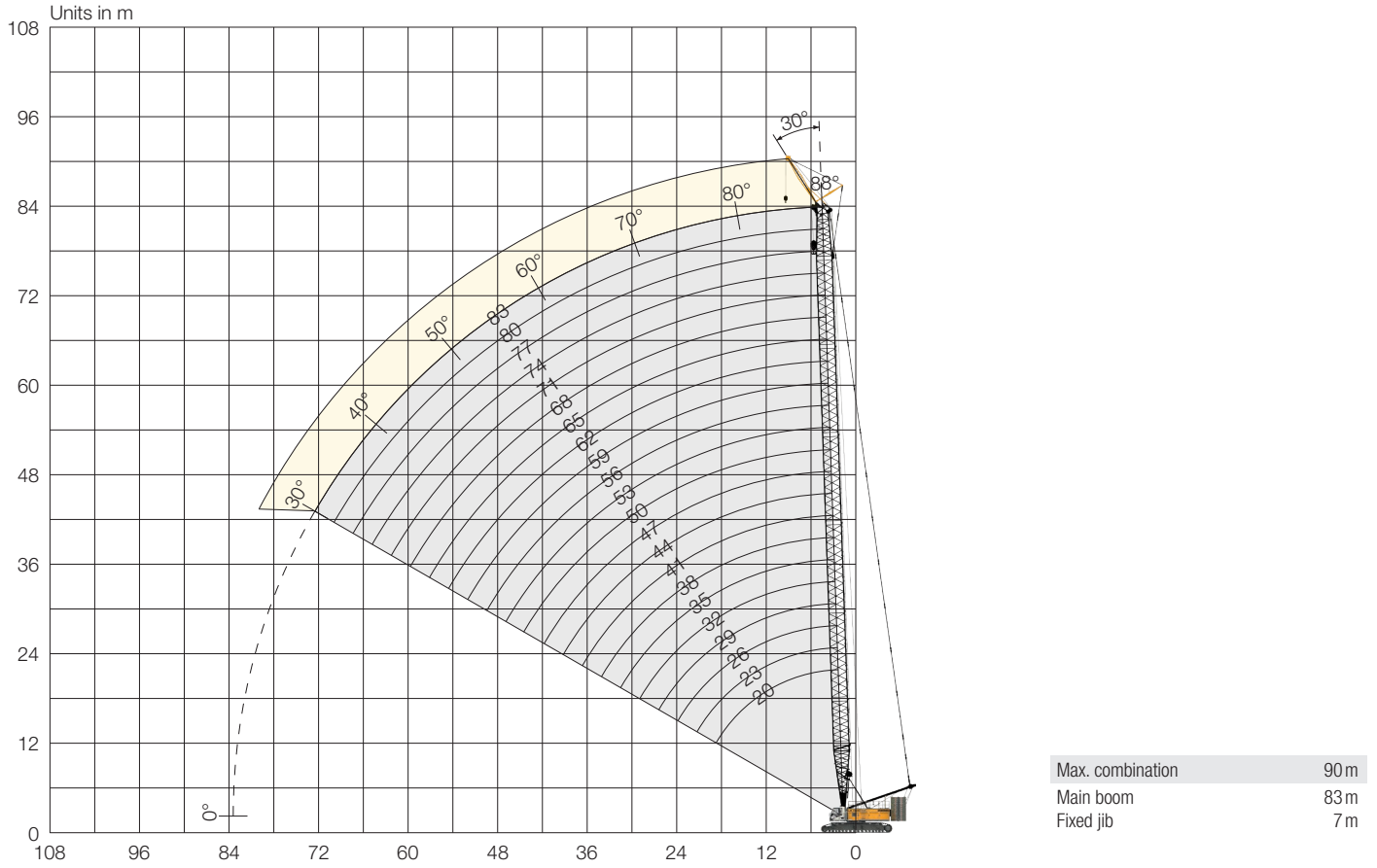
### Load capacities with 124t rear counterweight and 57t carbody counterweight

Radius	Boom length [m]																Radius
	20	23	26	32	38	44	50	56	62	68	74	80	83	86	89	92	
[m]	[t]	[t]	[t]	[t]	[t]	[t]	[t]	[t]	[t]	[t]	[t]	[t]	[t]	[t]	[t]	[t]	[m]
6.4							189.3										6.4
7							189.3	169.3									7
8					184.6	178.4	168.6	161.3	151.1	135.3							8
9					166.0	160.2	154.1	146.1	138.5	131.7	118.7	103.1	95.6	88.9			9
10			161.2	156.5	152.3	145.7	139.9	134.5	127.6	120.2	111.8	101.7	95.6	88.9	83.5	78.3	10
12	136.7	136.7	134.7	132.8	127.3	124.0	119.6	113.5	108.4	103.5	97.8	91.8	87.5	83.3	79.3	75.4	12
14	115.5	115.5	115.0	112.8	110.3	106.2	102.8	99.0	94.1	89.0	84.1	81.3	79.4	77.1	75.0	71.7	14
16	99.5	99.5	99.1	98.2	95.6	93.5	89.6	86.2	82.8	78.9	73.9	71.3	69.5	67.5	65.9	63.9	16
20	74.2	74.5	74.4	74.3	73.8	73.2	71.3	68.8	65.4	61.8	59.1	57.4	56.3	54.5	53.3	51.4	20
24		58.0	58.0	58.0	57.5	57.1	56.5	56.0	54.0	51.0	48.6	46.8	45.8	44.4	43.4	42.2	24
26			51.9	52.0	51.5	51.1	50.5	50.0	49.3	46.6	44.8	43.0	41.8	40.6	39.5	38.4	26
32				38.9	38.6	38.2	37.6	37.0	36.4	35.8	35.0	33.5	32.8	31.9	31.0	30.1	32
38					30.0	29.7	29.1	28.6	27.9	27.3	26.6	25.9	25.3	24.6	24.0	23.3	38
44						23.6	23.1	22.6	21.9	21.3	20.5	19.9	19.6	19.2	18.6	18.0	44
50							18.5	18.1	17.4	16.8	16.1	15.4	15.1	14.7	14.4	14.0	50
55								15.1	14.5	13.9	13.1	12.6	12.2	11.7	11.5	11.0	55
60									12.1	11.5	10.8	10.2	9.8	9.3	8.9	8.3	60
65										9.4	8.7	7.9	7.5	6.9	6.6	6.1	65
70											6.7	5.9	5.5	4.9	4.6	4.1	70
75												4.1	3.7	3.2	2.9	2.3	75
80													2.1				80

TLT 11959002. Above load charts are for reference only.  
For actual lift duty please refer to load chart in operator's cabin or manual.

# Fixed jib (No. 0906.21)

Main boom 88-30°, 20-83 m | Fixed jib 30°, 7 m



## Main boom configuration (No. 2821.xx)

	Length	Amount of boom sections																					
		20	23	26	29	32	35	38	41	44	47	50	53	56	59	62	65	68	71	74	77	80	83
Boom foot	10 m	1	1	1	1	1	1	1	1	1	1	1	1	1	1	1	1	1	1	1	1	1	1
Boom section	3 m	1		1		1		1		1		1		1		1		1		1		1	
Boom section	6 m		1	1			1	1			1	1			1	1			1	1			1
Boom section	12 m				1	1	1	1	2	2	2	2	3	3	3	3	4	4	4	4	5	5	5
Boom head	7 m	1	1	1	1	1	1	1	1	1	1	1	1	1	1	1	1	1	1	1	1	1	1
<b>Jib length [m]</b>		<b>20</b>	<b>23</b>	<b>26</b>	<b>29</b>	<b>32</b>	<b>35</b>	<b>38</b>	<b>41</b>	<b>44</b>	<b>47</b>	<b>50</b>	<b>53</b>	<b>56</b>	<b>59</b>	<b>62</b>	<b>65</b>	<b>68</b>	<b>71</b>	<b>74</b>	<b>77</b>	<b>80</b>	<b>83</b>

Load capacities with fixed jib 30° (No. 0906.21) | 124 t rear counterweight and 57 t carbody counterweight

**Main boom 20 m**

Radius [m]	[t]
14	61.6
15	59.6
16	57.4
17	55.5
18	54.2
19	52.9
20	51.6
22	49.2
24	47.8
26	46.9

**Main boom 26 m**

Radius [m]	[t]
13	67.6
14	65.0
15	62.9
16	61.1
17	59.5
18	57.8
19	56.2
20	54.9
22	52.9
24	50.8
26	49.0
28	47.5
30	43.7
32	39.8

**Main boom 32 m**

Radius [m]	[t]
11	74.5
12	71.6
14	67.9
16	63.9
18	60.8
20	58.0
22	55.5
24	53.6
26	51.3
28	47.8
30	43.5
32	39.7
34	36.4
36	33.5

**Main boom 38 m**

Radius [m]	[t]
10	78.1
12	73.7
14	69.5
16	66.5
18	63.1
20	60.5
22	58.0
24	55.4
26	52.4
28	47.3
30	42.9
34	35.9
38	30.4
42	26.1

**Main boom 44 m**

Radius [m]	[t]
9	81.4
10	79.2
12	74.9
14	71.2
16	68.1
18	65.3
20	62.5
24	57.1
28	46.9
32	38.7
36	32.6
40	27.8
44	23.9
48	20.6

**Main boom 50 m**

Radius [m]	[t]
9	81.9
10	79.8
12	75.8
14	72.9
16	69.5
20	62.9
24	55.9
28	46.3
32	38.1
36	32.0
40	27.2
44	23.3
48	20.1
50	18.6

**Main boom 56 m**

Radius [m]	[t]
8.3	82.6
10	80.2
12	76.6
14	73.7
16	70.8
20	65.7
24	54.9
28	45.8
32	37.6
36	31.4
40	26.7
44	22.8
48	19.6
55	15.1

**Main boom 62 m**

Radius [m]	[t]
8.5	82.1
10	80.6
12	77.3
14	74.2
16	71.7
20	65.2
28	44.6
32	37.0
36	30.8
40	26.0
44	22.1
48	18.9
55	14.4
60	11.9

**Main boom 68 m**

Radius [m]	[t]
8.7	81.5
10	80.9
12	78.1
14	74.8
16	72.8
20	62.4
28	43.0
32	36.1
36	30.2
40	25.5
44	21.5
48	18.3
55	13.9
65	9.1

**Main boom 74 m**

Radius [m]	[t]
8.9	80.9
10	80.9
12	77.8
14	75.1
16	72.8
20	62.1
28	41.4
36	29.3
40	24.7
44	20.9
48	17.6
55	13.2
65	8.2
70	6.1

**Main boom 80 m**

Radius [m]	[t]
9.1	79.4
10	79.4
12	77.3
14	74.8
16	71.7
20	60.0
28	39.9
36	28.2
40	23.9
44	20.3
48	17.0
55	12.5
65	7.4
75	3.5

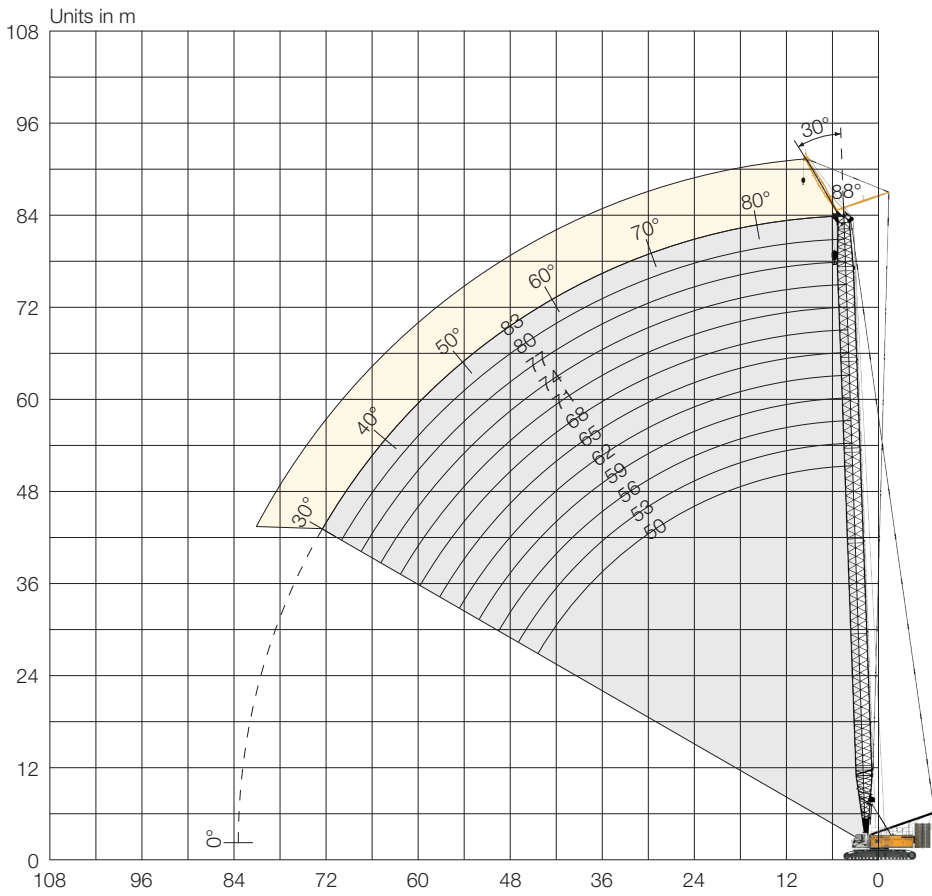
**Main boom 83 m**

Radius [m]	[t]
9.2	77.7
10	77.7
12	75.2
14	72.0
16	68.4
20	58.9
28	39.1
36	27.4
40	23.2
44	19.7
48	16.7
55	12.2
65	7.0
75	3.1

TLT 11959002. Above load charts are for reference only.  
For actual lift duty please refer to load chart in operator's cabin or manual.

# Fixed jib (No. 1507.20)

Main boom 88-30°, 50-83 m | Fixed jib 30°, 8 m



Max. combination	91 m
Main boom	83 m
Fixed jib	8 m

## Main boom configuration (No. 2821.xx)

	Length	Amount of jib sections																
		10 m	3 m	6 m	12 m	7 m	50	53	56	59	62	65	68	71	74	77	80	83
Jib foot	10 m	1	1	1	1	1	1	1	1	1	1	1	1	1	1	1	1	1
Boom section	3 m	1		1		1		1		1		1		1		1		1
Boom section	6 m	1			1	1			1	1			1	1				1
Boom section	12 m	2	3	3	3	3	4	4	4	4	5	5	5	5	5	5	5	5
Jib head	7 m	1	1	1	1	1	1	1	1	1	1	1	1	1	1	1	1	1
<b>Jib length [m]</b>		<b>50</b>	<b>53</b>	<b>56</b>	<b>59</b>	<b>62</b>	<b>65</b>	<b>68</b>	<b>71</b>	<b>74</b>	<b>77</b>	<b>80</b>	<b>83</b>					

Load capacities with fixed jib 30° (No. 1507.20) | 124 t rear counterweight and 57 t carbody counterweight

**Main boom 50 m**

Radius [m]	[t]
8	117.0
10	117.0
12	110.9
14	103.6
16	89.1
20	70.4
24	56.9
28	45.9
32	37.7
36	31.5
40	26.8
44	22.9
48	19.6
50	18.2

**Main boom 53 m**

Radius [m]	[t]
8.1	117.0
10	117.0
12	110.2
14	102.5
16	88.8
20	69.3
24	56.0
28	45.7
32	37.5
36	31.3
40	26.6
44	22.7
48	19.4
55	15.0

**Main boom 56 m**

Radius [m]	[t]
8.2	117.0
10	117.0
12	110.6
14	99.9
16	87.2
20	68.1
24	55.0
28	45.4
32	37.2
36	31.0
40	26.2
44	22.3
48	19.1
55	14.6

**Main boom 59 m**

Radius [m]	[t]
8.3	117.0
10	117.0
12	111.9
14	97.5
16	85.7
20	66.9
28	44.7
32	36.9
36	30.7
40	25.9
44	22.0
48	18.8
55	14.3
60	11.8

**Main boom 62 m**

Radius [m]	[t]
8.5	117.0
10	115.2
12	108.2
14	95.2
16	84.2
20	65.7
28	43.8
32	36.5
36	30.3
40	25.6
44	21.6
48	18.4
55	13.9
60	11.4

**Main boom 65 m**

Radius [m]	[t]
8.6	110.3
10	109.3
12	103.7
14	92.0
16	82.7
20	64.7
28	43.1
32	36.2
36	30.1
40	25.3
44	21.4
48	18.2
55	13.7
65	8.9

**Main boom 68 m**

Radius [m]	[t]
8.7	103.7
10	103.3
12	97.8
14	88.8
16	81.3
20	63.5
28	42.3
32	35.4
36	29.7
40	24.9
44	21.0
48	17.8
55	13.3
65	8.4

**Main boom 71 m**

Radius [m]	[t]
8.8	97.8
10	97.8
12	92.4
14	85.4
16	79.1
20	62.4
28	41.5
36	29.3
40	24.5
44	20.7
48	17.5
55	13.0
65	8.0
70	5.8

**Main boom 74 m**

Radius [m]	[t]
8.9	91.8
10	91.8
12	87.0
14	81.5
16	75.9
20	61.3
28	40.7
36	28.6
40	24.2
44	20.3
48	17.1
55	12.6
65	7.4
75	3.5

**Main boom 77 m**

Radius [m]	[t]
9	86.8
10	86.8
12	82.7
14	78.4
16	73.8
20	60.3
28	39.9
36	28.1
40	23.8
44	20.1
48	16.8
55	12.3
65	7.1
75	3.2

**Main boom 80 m**

Radius [m]	[t]
9.2	81.9
10	81.9
12	78.5
14	74.8
16	70.8
20	59.2
28	39.1
36	27.4
40	23.2
44	19.6
48	16.4
55	11.9
65	6.6
75	2.7

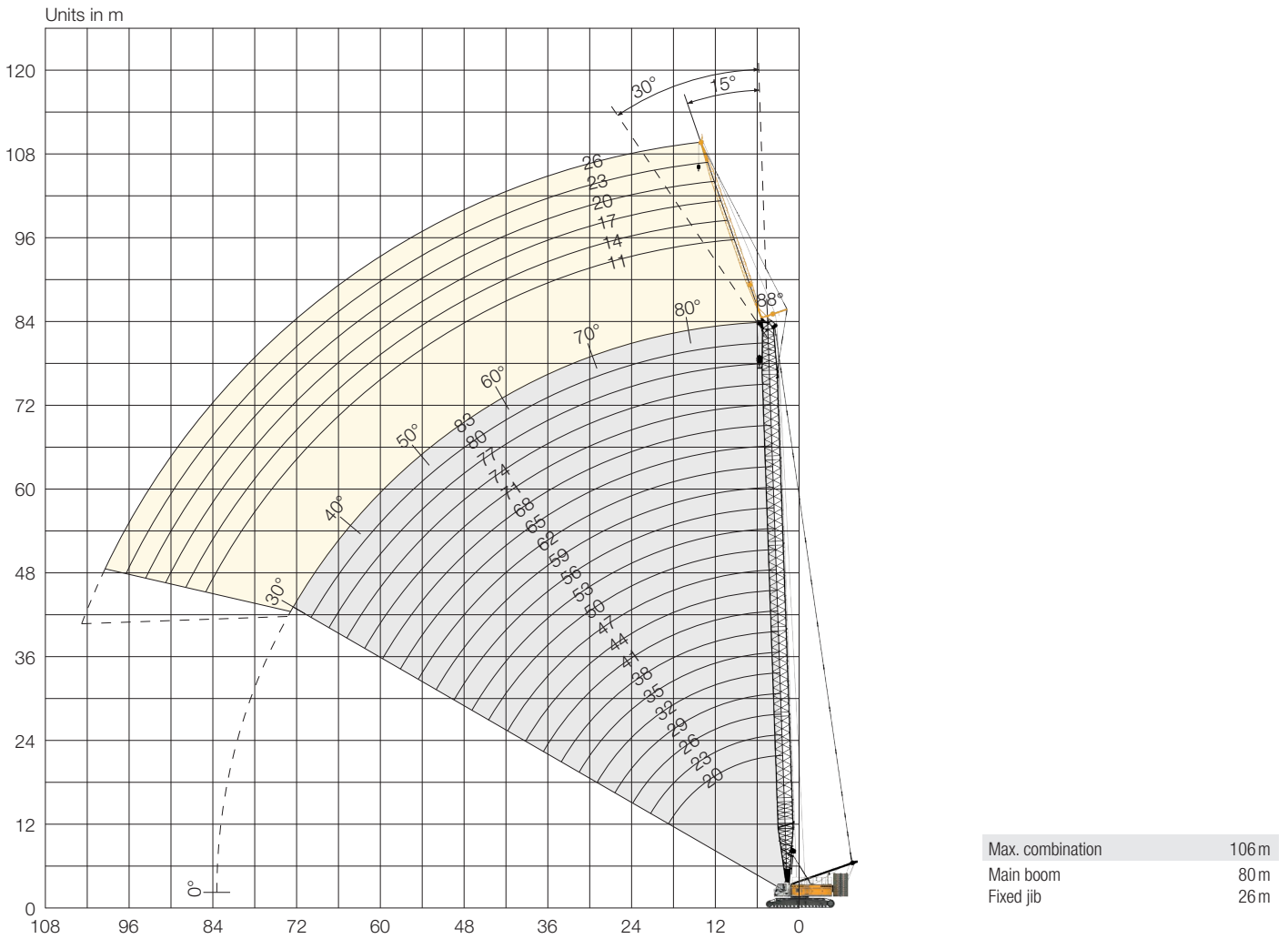
**Main boom 83 m**

Radius [m]	[t]
9.3	76.9
10	76.9
12	74.3
14	71.1
16	67.5
20	58.2
28	38.4
36	26.7
40	22.5
44	19.0
48	16.1
55	11.5
65	6.2
75	2.3

TLT 11962213. Above load charts are for reference only.  
For actual lift duty please refer to load chart in operator's cabin or manual.

# Fixed jib (No. 1008.xx)

Main boom 88-30°, 20-83 m | Fixed jib 15° and 30°, 11-26 m



## Jib configuration (No. 1008.xx)

	Length	Amount of jib sections					
		1	1	1	1	1	1
Jib foot	5.5 m	1	1	1	1	1	1
Jib section	3 m		1		1		1
Jib section	6 m			1	1	2	2
Jib head	5.5 m	1	1	1	1	1	1
<b>Jib length [m]</b>		<b>11</b>	<b>14</b>	<b>17</b>	<b>20</b>	<b>23</b>	<b>26</b>

Load capacities with fixed jib 15° (No. 1008.xx) | 124t rear counterweight and 57t carbody counterweight

**Main boom 20 m**

Radius [m]	Jib [m]		
	11 [t]	17 [t]	26 [t]
13	44.2		
14	43.9		
16	40.7	27.4	
18	36.1	24.9	16.3
20	32.8	22.8	15.3
24	28.6	19.1	13.6
28	24.7	16.6	11.9
32		15.1	10.6
36		13.6	9.5
40			8.7
44			8.0

**Main boom 29 m**

Radius [m]	Jib [m]		
	11 [t]	17 [t]	26 [t]
11	45.0		
12	45.0		
14	44.6	31.5	
16	43.8	29.5	17.8
18	43.2	27.2	16.7
20	39.1	25.2	15.8
24	33.2	22.0	14.4
28	30.1	19.2	13.3
32	26.7	17.2	11.8
36	24.0	15.6	10.7
40		14.7	9.8
44		13.5	9.0
48			8.5

**Main boom 41 m**

Radius [m]	Jib [m]		
	11 [t]	17 [t]	26 [t]
10	45.0	36.6	
12	45.0	34.3	
14	45.0	32.5	19.1
16	44.8	30.6	18.0
18	43.3	29.1	17.2
20	42.1	27.6	16.3
24	38.6	24.6	14.9
28	34.4	22.3	13.9
32	31.2	19.9	13.2
36	29.3	18.2	12.0
40	26.7	16.1	11.0
44	24.4	15.6	10.3
48	21.3	15.0	9.6
55			8.7
60			8.1

**Main boom 59 m**

Radius [m]	Jib [m]		
	11 [t]	17 [t]	26 [t]
7.2	45.0		
8	45.0		
10	45.0	36.1	
12	45.0	34.3	
14	44.8	32.5	19.1
16	43.2	31.1	18.2
18	41.9	29.8	16.6
20	40.9	27.5	16.0
24	38.3	26.6	15.4
28	36.5	24.6	14.6
32	33.5	23.4	13.9
36	30.9	21.5	13.4
40	26.3	19.7	12.7
44	22.4	18.6	11.8
48	19.3	17.4	11.1
55	14.9	15.7	10.0
60	12.4	13.3	9.4
65		11.1	8.9
70		9.3	8.5
75			8.1

**Main boom 77 m**

Radius [m]	Jib [m]		
	11 [t]	17 [t]	26 [t]
8	45.0		
10	45.0		
12	44.5	33.2	
14	42.7	32.0	18.4
16	41.4	30.5	17.8
18	39.5	29.4	17.2
20	37.5	28.4	16.5
24	34.7	26.7	15.5
28	32.7	25.5	14.7
32	31.1	24.2	14.2
36	28.1	23.2	13.7
40	23.9	22.3	13.2
44	20.4	20.0	12.9
48	17.2	18.2	12.2
55	12.8	13.8	11.1
60	10.2	11.3	10.5
65	7.9	8.8	9.6
70	5.4	6.8	8.0
75	4.0	4.9	6.1
80	2.4	3.3	4.5
85			3.0

**Main boom 83 m**

Radius [m]	Jib [m]	
	11 [t]	14 [t]
8.1	45.0	
10	44.6	42.1
12	44.0	40.0
14	41.7	38.2
16	39.8	36.5
18	38.1	35.2
20	35.9	33.8
24	32.6	31.1
28	30.3	29.3
32	28.5	27.3
36	26.7	25.7
40	22.6	23.0
44	19.2	19.6
48	16.3	16.7
55	12.0	12.6
60	9.3	9.8
65	4.8	7.4
70	3.1	5.3
75		3.5

TLT 11959002. Above load charts are for reference only.  
For actual lift duty please refer to load chart in operator's cabin or manual.

# Load capacities with fixed jib 30° (No. 1008.xx) | 124 t rear counterweight and 57 t carbody counterweight

## Main boom 20 m

Radius [m]	Jib [m]		
	11 [t]	17 [t]	26 [t]
18	17.2	17.2	
20	15.9	15.9	
24	14.5	14.5	9.9
28	12.9	12.9	8.9
32	11.8	11.8	8.0
36	11.3	11.3	7.4
40			6.9
44			6.6

## Main boom 29 m

Radius [m]	Jib [m]		
	11 [t]	17 [t]	26 [t]
13	33.3		
14	31.8		
16	30.1	19.3	
18	29.9	18.0	
20	27.1	17.1	11.5
24	23.9	15.3	10.3
28	21.7	14.2	9.4
32	20.0	13.0	8.6
36	19.0	12.1	8.0
40		11.6	7.5
44		11.3	7.0
48			6.7

## Main boom 41 m

Radius [m]	Jib [m]		
	11 [t]	17 [t]	26 [t]
11	37.9		
12	36.4		
14	34.1	21.2	
16	31.8	19.9	
18	30.1	18.9	
20	29.7	17.9	11.7
24	26.8	16.4	10.7
28	24.4	15.2	9.8
32	22.6	14.4	9.1
36	21.1	13.3	8.6
40	19.9	12.6	8.0
44	19.2	12.0	7.6
48	18.6	11.6	7.3
55		11.2	6.8
60			6.6

## Main boom 59 m

Radius [m]	Jib [m]		
	11 [t]	17 [t]	26 [t]
9.9	45.0		
10	45.0		
12	37.8		
14	35.8	21.4	
16	34.2	20.5	
18	32.4	19.6	
20	30.9	18.2	11.9
24	29.9	17.5	11.1
28	27.6	16.5	10.4
32	25.9	15.5	9.7
36	24.1	15.1	9.2
40	22.7	14.1	8.7
44	21.2	13.3	8.4
48	19.7	12.8	8.0
55	15.2	12.0	7.4
60	12.6	11.6	7.1
65	10.4	11.2	6.9
70		9.4	6.7
75			6.6
80			6.4

## Main boom 77 m

Radius [m]	Jib [m]		
	11 [t]	17 [t]	26 [t]
12	38.0		
14	36.6		
16	35.0	20.7	
18	33.7	20.0	
20	32.5	19.3	11.9
24	30.3	18.2	11.3
28	29.4	17.2	10.7
32	27.8	16.4	10.1
36	26.5	15.5	9.6
40	24.1	15.1	9.2
44	21.0	14.6	8.8
48	17.8	13.8	8.5
55	13.3	13.0	7.9
60	10.7	11.7	7.6
65	8.2	9.4	7.3
70	6.1	7.2	7.0
75	4.2	5.3	6.7
80	2.6	3.6	5.0
85		2.0	3.4

## Main boom 83 m

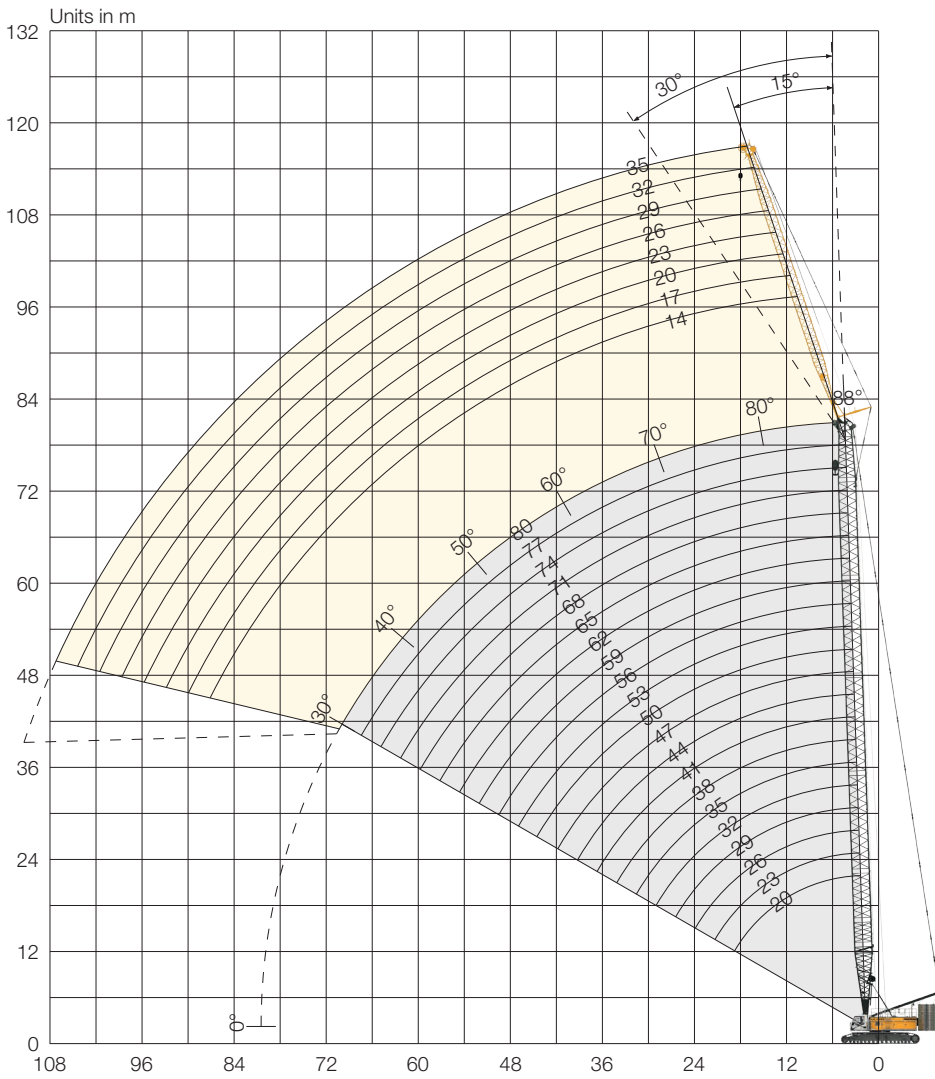
Radius [m]	Jib [m]	
	11 [t]	14 [t]
10.7	37.5	
12	37.3	
14	35.7	28.0
16	34.2	26.9
18	32.8	25.9
20	31.8	24.9
24	29.4	23.4
28	27.8	22.0
32	26.3	20.8
36	25.2	19.7
40	23.5	18.9
44	19.9	17.7
48	17.0	16.3
55	12.6	13.2
60	9.8	10.4
65	7.3	7.9
70	5.2	5.8
75	3.3	3.9
80		2.2

TLT 11959002. Above load charts are for reference only.  
For actual lift duty please refer to load chart in operator's cabin or manual.



# Fixed jib (No. 1713.xx)

Main boom 88-30°, 20-80m | Fixed jib 15° and 30°, 14-35m



Max. combination	109m
Main boom	74m
Fixed jib	35m

## Jib configuration (No. 1713.xx)

	Length	Amount of jib sections							
		1	1	1	1	1	1	1	1
Jib foot	7 m	1	1	1	1	1	1	1	1
Jib section	3 m		1		1		1		1
Jib section	6 m			1	1			1	1
Jib section	12 m					1	1	1	1
Jib head	7 m	1	1	1	1	1	1	1	1
<b>Jib length [m]</b>		<b>14</b>	<b>17</b>	<b>20</b>	<b>23</b>	<b>26</b>	<b>29</b>	<b>32</b>	<b>35</b>

Load capacities with fixed jib 15° (No. 1713.xx) | 124 t rear counterweight and 57 t carbody counterweight

**Main boom 20 m**

Radius	Jib [m]		
	14	23	35
[m]	[t]	[t]	[t]
13	46.0		
14	43.8	30.0	
16	38.8	26.5	19.4
18	35.1	24.2	17.5
20	31.7	22.0	16.1
24	27.4	18.9	13.8
28	24.0	16.5	11.9
32	21.7	14.7	10.6
36		13.3	9.4
40		12.2	8.5
44			7.7
48			7.1
52			6.6

**Main boom 32 m**

Radius	Jib [m]		
	14	23	35
[m]	[t]	[t]	[t]
10	58.3		
12	54.6	35.0	
14	48.6	31.6	
16	45.0	29.5	19.7
18	41.1	26.7	18.2
20	37.9	24.9	16.9
24	32.7	21.7	14.7
28	29.6	19.4	13.1
32	26.3	17.3	11.7
36	24.0	15.9	10.6
40	22.3	14.5	9.6
44	15.1	13.5	8.9
48		12.7	8.2
52		12.0	7.6
60			6.8

**Main boom 47 m**

Radius	Jib [m]		
	14	23	35
[m]	[t]	[t]	[t]
10	60.0		
12	56.9	35.3	
14	53.9	32.7	
16	49.2	30.1	19.9
18	45.7	28.7	18.7
20	43.7	26.5	17.5
24	38.2	23.8	15.7
28	34.4	21.3	14.1
32	31.0	19.6	12.9
36	29.0	17.9	11.7
40	26.7	16.5	10.9
44	23.7	14.5	10.0
48	20.5	14.5	9.3
55	16.1	13.1	8.3
60		12.4	7.7
65			7.2
70			6.8

**Main boom 62 m**

Radius	Jib [m]		
	14	23	35
[m]	[t]	[t]	[t]
9	60.0		
10	60.0		
12	59.6	35.3	
14	55.6	33.6	
16	52.9	31.6	
18	49.2	30.1	18.9
20	46.2	28.7	18.1
24	42.4	25.5	16.3
28	38.2	23.5	14.9
32	35.2	21.5	13.7
36	30.7	20.1	12.7
40	25.9	18.7	11.7
44	22.0	17.5	11.0
48	18.8	16.5	10.3
55	14.5	14.7	9.2
60	12.0	12.8	8.7
65	9.8	10.7	8.1
70	7.7	8.7	7.7
75		6.8	7.3
80			6.2
90			3.4

**Main boom 80 m**

Radius	Jib [m]	
	14	17
[m]	[t]	[t]
10	58.4	
12	56.7	49.0
14	54.8	46.0
16	52.4	44.3
18	50.7	41.8
20	48.8	40.0
24	44.4	36.2
28	38.7	33.4
32	32.3	30.2
36	27.2	27.2
40	23.1	23.3
44	19.6	19.8
48	16.7	16.9
55	12.4	12.7
60	9.6	10.0
65	6.8	7.6
70	5.2	5.5
75	3.4	3.7
80		2.0

TLT 11959002. Above load charts are for reference only.  
For actual lift duty please refer to load chart in operator's cabin or manual.

Load capacities with fixed jib 30° (No. 1713.xx) | 124t rear counterweight and 57t carbody counterweight

**Main boom 20 m**

Radius	Jib [m]		
	14	23	35
[m]	[t]	[t]	[t]
15	46.0		
16	30.4		
18	28.1	19.3	
20	26.5	18.0	
24	23.7	15.9	11.3
28	21.7	14.4	10.0
32	20.5	13.1	9.1
36		12.2	8.2
40		11.6	7.6
44			7.0
48			6.6
52			6.3

**Main boom 32 m**

Radius	Jib [m]		
	14	23	35
[m]	[t]	[t]	[t]
13	35.6		
14	34.4		
16	32.3		
18	30.6	20.2	
20	29.0	19.1	
24	26.5	17.3	11.5
28	24.3	15.8	10.5
32	22.8	14.7	9.6
36	21.5	13.6	8.8
40	20.7	12.9	8.2
44	20.1	12.2	7.7
48		11.8	7.2
52		11.7	6.8
60			6.4
65			6.3

**Main boom 47 m**

Radius	Jib [m]		
	14	23	35
[m]	[t]	[t]	[t]
12	37.5		
14	35.6		
16	33.9		
18	32.4	20.1	
20	31.0	19.3	
24	28.6	17.8	11.6
28	26.7	16.6	10.7
32	25.1	15.5	10.0
36	23.7	14.7	9.3
40	22.7	13.8	8.5
44	21.8	13.2	8.3
48	20.9	12.6	7.9
55	16.2	11.9	7.2
60		11.6	6.9
65			6.6
70			6.4

**Main boom 62 m**

Radius	Jib [m]		
	14	23	35
[m]	[t]	[t]	[t]
12	37.2		
14	36.0		
16	34.6		
18	33.4	20.7	
20	32.2	19.9	
24	30.1	18.6	
28	28.4	17.5	10.9
32	26.9	16.6	10.3
36	25.6	15.7	9.7
40	24.3	15.0	9.2
44	22.7	14.3	8.7
48	19.4	13.7	8.3
55	14.9	12.9	7.7
60	12.3	12.3	7.3
65	10.0	11.1	7.0
70	7.9	9.1	6.8
75		7.1	6.5
80			6.3
90			3.6

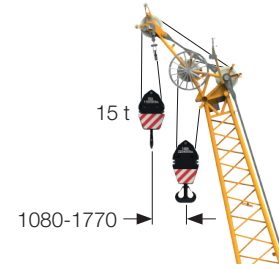
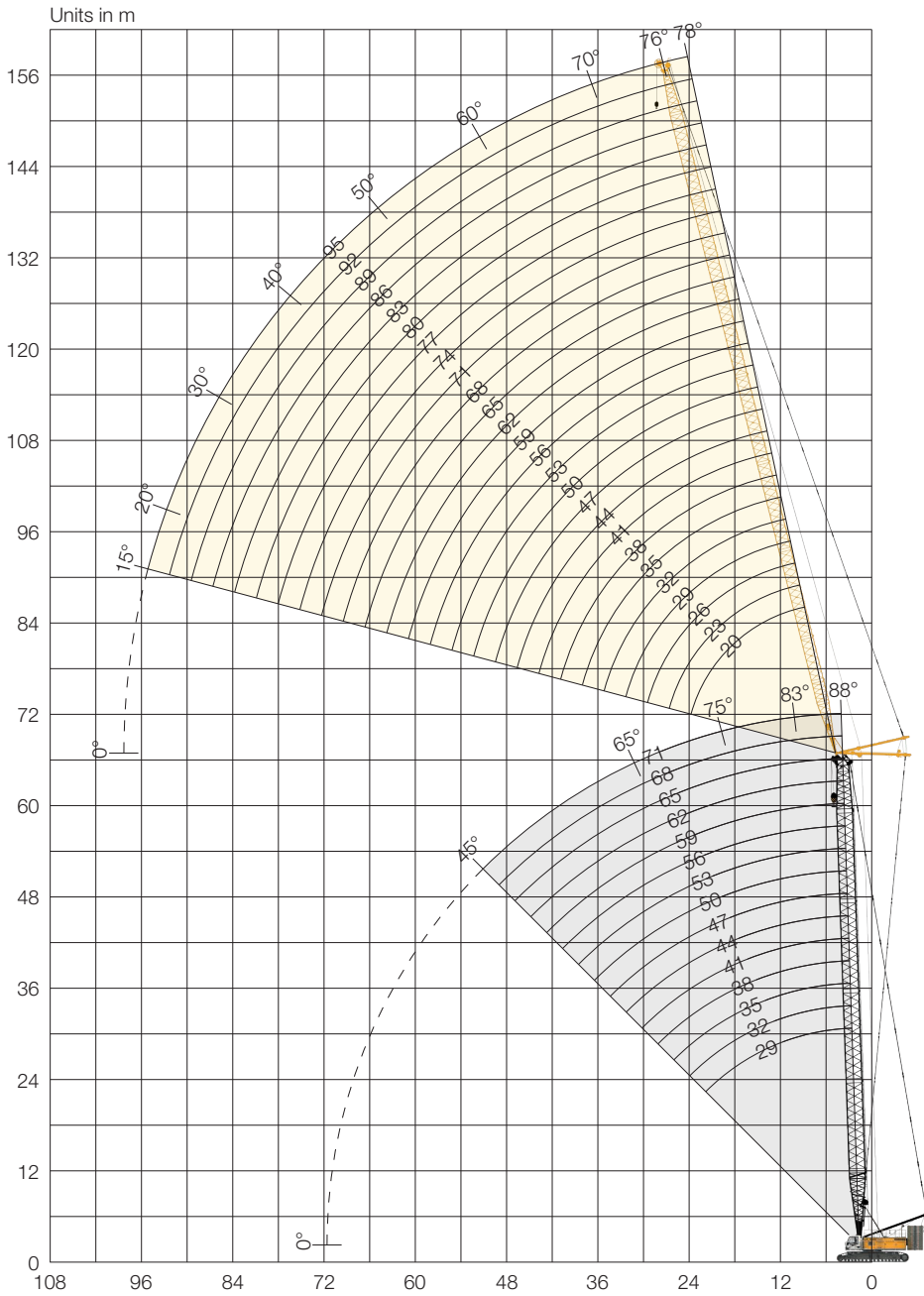
**Main boom 80 m**

Radius	Jib [m]	
	14	17
[m]	[t]	[t]
13	36.5	
14	36.4	
16	35.2	28.7
18	34.1	17.8
20	33.1	26.9
24	31.3	25.5
28	29.7	24.1
32	28.1	23.2
36	36.4	22.2
40	24.2	21.3
44	20.6	20.6
48	17.5	17.9
55	13.1	13.4
60	10.2	10.7
65	7.7	8.2
70	5.6	6.0
75	3.7	4.1
80		2.4

TLT 11959002. Above load charts are for reference only.  
For actual lift duty please refer to load chart in operator's cabin or manual.

# Luffing jib (No. 1916.xx)

Main boom 88-45°, 29-71 m | Luffing jib 78-15°, 20-95 m



### Auxiliary jib 15 t (option)

The maximum capacity of the auxiliary jib is 15 t. The corresponding load chart is programmed in the LML system.

Max. combination	160 m
Main boom	65 m
Luffing jib	95 m
Max. combination	115 m
Main boom	71 m
Luffing jib	44 m

### Jib configuration (No. 1916.xx)

	Length	Amount of jib sections																									
		20	23	26	29	32	35	38	41	44	47	50	53	56	59	62	65	68	71	74	77	80	83	86	89	92	95
Jib foot	7 m	1	1	1	1	1	1	1	1	1	1	1	1	1	1	1	1	1	1	1	1	1	1	1	1	1	1
Jib section	3 m		1		1		1		1		1		1		1		1		1		1		1		1		1
Jib section	6 m	1	1			1	1			1	1			1	1			1	1			1	1			1	1
Jib section	12 m			1	1	1	1	2	2	2	2	3	3	3	3	4	4	4	4	5	5	5	5	6	6	6	6
Jib head	7 m	1	1	1	1	1	1	1	1	1	1	1	1	1	1	1	1	1	1	1	1	1	1	1	1	1	1
<b>Jib length [m]</b>		<b>20</b>	<b>23</b>	<b>26</b>	<b>29</b>	<b>32</b>	<b>35</b>	<b>38</b>	<b>41</b>	<b>44</b>	<b>47</b>	<b>50</b>	<b>53</b>	<b>56</b>	<b>59</b>	<b>62</b>	<b>65</b>	<b>68</b>	<b>71</b>	<b>74</b>	<b>77</b>	<b>80</b>	<b>83</b>	<b>86</b>	<b>89</b>	<b>92</b>	<b>95</b>
Auxiliary jib applicable		✓	✓	✓	✓	✓	✓	✓	✓	✓	✓	✓	✓	✓	✓	✓	✓	✓	✓	✓	✓	✓	✓	✓	✓	✓	✓

Load capacities with luffing jib (No. 1916.xx) | 124 t rear counterweight and 57 t carbody counterweight

**Main boom 29 m | 88°**

Radius [m]	Jib [m]				
	20 [t]	41 [t]	65 [t]	83 [t]	95 [t]
14		39.1			
16	61.5	36.0			
18	54.8	33.3	17.5		
20	48.3	30.8	16.8		
22	38.8	28.6	16.1	9.6	
24		26.9	15.5	9.2	6.2
28		23.8	14.5	8.6	5.8
36		19.3	13.2	7.7	5.2
42		15.9	12.3	7.2	4.9
50			11.2	6.6	4.6
60			9.4	6.0	3.5
65			7.7	5.6	3.2
75				4.9	2.5
80				4.4	2.3

**Main boom 50 m | 88°**

Radius [m]	Jib [m]				
	20 [t]	41 [t]	65 [t]	83 [t]	95 [t]
9.1	78.7				
10	75.8				
14	67.1	37.3			
18	49.8	32.5			
22	41.1	28.4	15.4		
24		26.9	14.8	8.9	
28		24.1	14.0	8.4	5.6
36		19.8	12.8	7.6	4.9
42		16.9	12.0	7.0	4.5
50			11.1	6.4	4.1
60			9.7	5.9	3.4
65			8.3	5.6	3.2
75				5.1	2.5
80				4.6	2.2
85				3.7	

**Main boom 71 m | 88°**

Radius [m]	Jib [m]	
	32 [t]	44 [t]
12.3	42.5	
14	41.8	
18	37.8	27.2
22	3.5	24.3
24	31.6	22.9
28	28.6	20.9
36	21.7	17.6
42		15.4

TLT 11959002. Above load charts are for reference only.  
For actual lift duty please refer to load chart in operator's cabin or manual.

Load capacities with luffing jib (No. 1916.xx) | 124t rear counterweight and 57t carbody counterweight

**Main boom 29m | 83°**

Radius	Jib [m]				
	20	41	65	83	95
[m]	[t]	[t]	[t]	[t]	[t]
12.6	80.0				
14	77.1				
18	62.0				
20	56.5	33.5			
22	50.8	28.6			
24	43.3	26.9			
28		23.8	15.0		
36		19.3	13.6	8.0	5.4
42		15.9	12.6	7.4	4.9
50			11.6	6.8	4.4
60			10.3	6.2	3.7
65			7.7	5.8	3.4
75				5.3	2.7
80				4.8	2.5
85				4.4	2.2

**Main boom 50m | 83°**

Radius	Jib [m]				
	20	41	65	83	95
[m]	[t]	[t]	[t]	[t]	[t]
15.1	70.4				
18	59.9				
22	49.6	31.9			
24	45.8	29.9			
28	37.1	27.1			
36		22.6	13.4	7.8	
42		19.5	12.7	7.3	4.8
50			11.8	6.7	4.3
60			10.7	6.0	3.7
65			9.8	5.8	3.4
75				5.3	2.8
80				5.0	2.5
85				4.7	2.3
90					2.1

**Main boom 71m | 83°**

Radius	Jib [m]	
	32	44
[m]	[t]	[t]
21.2	37.7	
22	37.6	
24	36.2	
28	33.4	24.0
36	27.1	20.3
42	22.7	17.9
50		15.2

TLT 11959002. Above load charts are for reference only.  
For actual lift duty please refer to load chart in operator's cabin or manual.

Load capacities with luffing jib (No. 1916.xx) | 124 t rear counterweight and 57 t carbody counterweight

**Main boom 29 m | 75°**

Radius [m]	Jib [m]				
	20	41	65	83	95
	[t]	[t]	[t]	[t]	[t]
20	66.7				
22	59.7				
24	54.6				
28	45.0	27.2			
36		23.7			
42		20.2	13.2		
50		16.2	12.2	7.0	
60			11.0	6.3	4.0
65			10.3	6.1	3.6
75				5.6	3.0
80				5.3	2.7
85				5.0	2.4
90				4.7	2.2

**Main boom 50 m | 75°**

Radius [m]	Jib [m]				
	20	41	65	83	95
	[t]	[t]	[t]	[t]	[t]
25	49.7				
28	44.5				
34	37.2	27.5			
42		23.5			
50		19.4	12.5		
55		17.1	11.9	6.8	
60			11.5	6.5	4.1
65			11.1	6.2	3.8
75			9.5	5.7	3.2
80				5.5	3.0
85				5.3	2.7
90				5.1	2.4
95				4.1	2.2

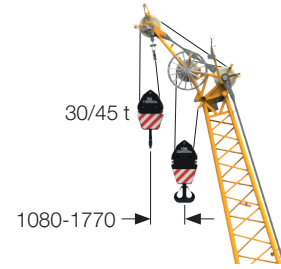
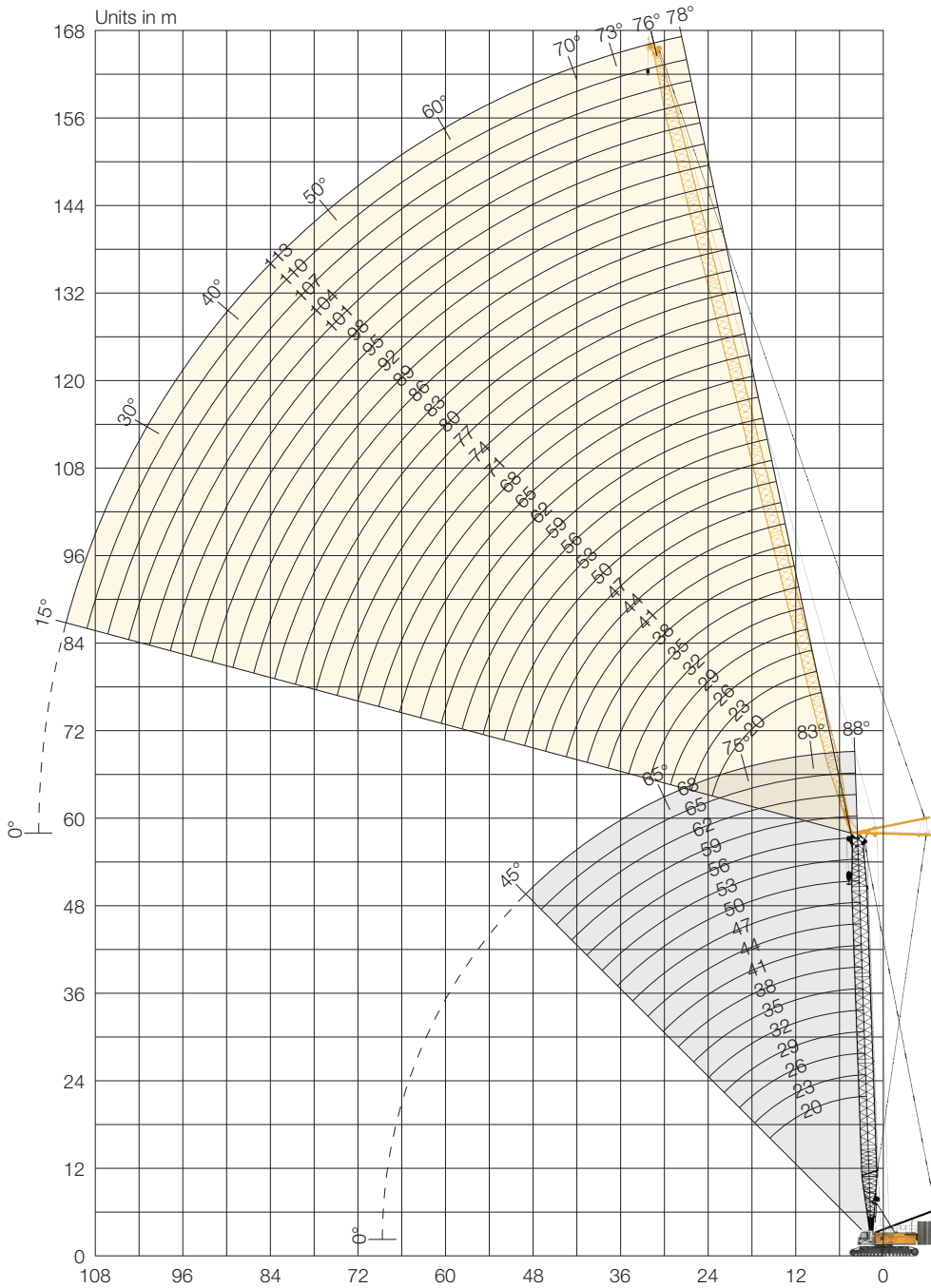
**Main boom 71 m | 75°**

Radius [m]	Jib [m]	
	32	44
	[t]	[t]
36	26.3	
42	22.8	20.3
50	19.4	17.2
55		15.6
60		14.4

TLT 11959002. Above load charts are for reference only.  
For actual lift duty please refer to load chart in operator's cabin or manual.

# Luffing jib (No. 2316.xx)

Main boom 88-45°, 20-68m | Luffing jib 78-15°, 20-113m



**Auxiliary jib 30/45 t (option)**  
 The maximum capacity of the auxiliary jib is 30/45 t. The corresponding load chart is programmed in the LML system.

Max. combination	169m
Main boom	56m
Luffing jib	113m
Max. combination	106m
Main boom	68m
Luffing jib	38m

## Jib configuration (No. 2316.xx)

Jib configuration	Length	Amount of jib sections																																		
		20	23	26	29	32	35	38	41	44	47	50	53	56	59	62	65	68	71	74	77	80	83	86	89	92	95	98	101	104	107	110	113			
Jib foot	10 m	1	1	1	1	1	1	1	1	1	1	1	1	1	1	1	1	1	1	1	1	1	1	1	1	1	1	1	1	1	1	1	1	1		
Jib section	3 m		1		1		1		1		1		1		1		1		1		1		1		1		1		1		1		1		1	
Jib section	6 m			1	1																															
Jib section	12 m					1	1	1	1	1	2	2	2	2	3	3	3	3	4	4	4	4	5	5	5	5	6	6	6	6	7	7	7	7	7	
Jib head	10 m	1	1	1	1	1	1	1	1	1	1	1	1	1	1	1	1	1	1	1	1	1	1	1	1	1	1	1	1	1	1	1	1	1	1	
<b>Jib length [m]</b>		<b>20</b>	<b>23</b>	<b>26</b>	<b>29</b>	<b>32</b>	<b>35</b>	<b>38</b>	<b>41</b>	<b>44</b>	<b>47</b>	<b>50</b>	<b>53</b>	<b>56</b>	<b>59</b>	<b>62</b>	<b>65</b>	<b>68</b>	<b>71</b>	<b>74</b>	<b>77</b>	<b>80</b>	<b>83</b>	<b>86</b>	<b>89</b>	<b>92</b>	<b>95</b>	<b>98</b>	<b>101</b>	<b>104</b>	<b>107</b>	<b>110</b>	<b>113</b>			
Auxiliary jib applicable		✓	✓	✓	✓	✓	✓	✓	✓	✓	✓	✓	✓	✓	✓	✓	✓	✓	✓	✓	✓	✓	✓	✓	✓	✓	✓	✓	✓	✓	✓	✓	✓	✓	✓	



Load capacities with luffing jib (No. 2316.xx) | 124 t rear counterweight and 57 t carbody counterweight

**Main boom 20 m | 88°**

Radius [m]	Jib [m]							
	20	41	53	65	77	89	101	110
12.4		80.5						
15		65.0	57.6					
17	59.1	52.8	52.3					
18	53.7	48.9	47.3	40.4				
20	45.1	41.9	40.4	37.6	28.6			
22	39.4	35.5	34.3	33.7	28.1			
24		31.4	30.1	29.4	26.3	19.1		
26		28.4	27.0	25.8	24.5	18.4	13.7	
28		25.9	24.2	23.1	21.9	17.9	13.4	10.5
36		18.8	17.6	16.1	15.0	14.0	11.4	9.2
42		15.4	14.2	12.7	11.8	10.3	9.4	8.4
50			11.0	9.8	8.5	7.3	6.2	5.5
60				7.2	6.0	4.7	3.7	2.9
65				6.1	5.1	3.8	2.7	
75					3.5	2.3		

**Main boom 32 m | 88°**

Radius [m]	Jib [m]							
	20	41	56	65	77	89	101	113
11	117.0							
13	110.6	76.0						
16	82.8	71.2	49.9					
18	68.6	63.2	48.8	37.2				
22	49.0	46.4	42.3	34.9	26.8			
24		40.4	39.0	33.2	25.8	18.3		
26		36.1	35.1	31.7	25.1	17.8	13.0	
28		32.5	31.5	30.3	24.4	17.3	12.8	9.3
36		23.5	22.3	21.6	20.2	15.9	11.6	8.5
42		19.4	18.2	17.2	16.6	13.8	10.9	7.8
55			12.3	11.3	10.6	9.2	8.6	6.8
65				8.5	7.5	6.3	5.4	4.5
75					5.4	4.2	3.2	2.3
80						3.4	2.3	
85							2.6	

**Main boom 41 m | 88°**

Radius [m]	Jib [m]							
	20	41	53	65	77	89	101	113
8.8	117.0							
14	96.2	69.4						
16	78.4	67.1	50.5					
19	60.3	57.0	48.1	35.5				
22	47.6	45.0	41.7	33.6	25.4			
24		39.3	38.1	32.1	24.5	17.6		
26		35.2	33.8	30.5	23.8	17.2	12.6	
28		31.8	30.3	29.4	23.2	16.8	12.5	
38		21.7	20.3	19.4	18.0	14.9	11.1	8.0
44		15.1	16.6	15.7	14.7	12.7	10.2	7.4
55			12.1	11.1	10.2	8.9	8.1	6.3
65				8.3	7.3	6.2	5.2	4.3
75					5.3	4.1	3.1	2.2
80						3.3	2.3	
85							2.6	

**Main boom 56 m | 88°**

Radius [m]	Jib [m]							
	20	41	53	65	77	92	101	113
9.3	101.3							
14	83.1	57.6						
17	65.5	55.4	43.1					
19	56.1	49.4	42.0	31.5				
22	45.2	40.6	37.3	30.4	22.6			
24	39.3	35.6	34.0	29.3	22.2			
26		32.1	30.6	27.5	21.6	14.5		
28		29.2	27.7	26.2	21.1	14.2	11.5	
38		20.1	18.8	17.9	16.5	12.9	10.3	7.4
44		16.8	15.5	14.5	13.5	11.0	9.4	6.9
55			11.4	10.3	9.4	7.9	7.2	5.4
65				7.8	6.7	5.4	4.6	3.8
70					5.8	4.4	3.6	2.7
75						4.9	3.5	2.8
85							2.1	

**Main boom 59 m | 88°**

Radius [m]	Jib [m]							
	20	41	53	65	77	89	101	104
9.4	94.8							
14	79.3	55.6						
17	63.1	53.7	41.8					
19	54.1	48.3	40.7	30.6				
22	43.5	40.2	36.4	29.7	22.2			
24	38.0	35.4	33.3	28.7	21.8	15.5		
28		29.0	27.3	25.6	20.7	15.1	11.2	10.4
32		24.8	23.2	21.9	19.7	14.6	10.9	10.2
36		21.4	19.9	18.9	17.5	14.0	10.5	9.9
40		19.0	17.5	16.4	15.1	12.8	10.0	9.4
44		16.8	15.3	14.3	13.3	11.2	9.3	8.9
55			11.3	10.2	9.3	7.8	7.0	6.7
65				7.8	6.6	5.4	4.4	4.2
75					4.8	3.6	2.7	2.5
85							2.2	

**Main boom 65 m | 88°**

Radius [m]	Jib [m]		
	20	41	53
9.6	84.8		
14	73.6	50.7	
17	60.7	48.7	37.8
19	52.8	44.7	36.8
20	49.0	43.3	36.2
22	43.0	38.0	33.6
24	37.9	33.5	31.0
26		30.3	28.3
34		21.9	20.2
38		19.2	17.5
40		18.1	16.5
42		17.1	15.4
44		16.1	14.5
55			10.6
65			

**Main boom 68 m | 88°**

Radius [m]	Jib [m]
	38
13.4	52.0
14	52.0
16	49.7
18	46.5
20	42.6
22	36.8
24	32.8
26	29.7
28	27.1
32	23.4
34	21.7
36	20.2
38	19.1
40	18.0
42	15.1

TLT 11959002. Above load charts are for reference only.  
For actual lift duty please refer to load chart in operator's cabin or manual.

Load capacities with luffing jib (No. 2316.xx) | 124t rear counterweight and 57t carbody counterweight

**Main boom 20m | 83°**

Radius [m]	Jib [m]							
	20	41	53	65	77	89	101	110
11.5	117.0							
18	64.7	61.6						
22	45.3	44.3	45.0					
24	39.6	37.5	37.9					
26		32.9	32.8	33.7				
30		26.5	26.1	36.5	25.1			
32		24.4	23.7	23.4	23.4	17.2		
36		20.9	19.7	19.3	19.2	16.5	12.2	
38		19.5	18.3	17.7	17.3	15.9	12.1	9.1
44		15.8	14.8	13.7	13.2	12.2	11.3	8.6
55			10.4	9.5	8.5	7.3	6.7	5.9
65				6.9	5.9	4.8	3.8	3.3
70					5.0	3.8	2.8	2.1
75					4.1	3.0	2.1	
80						2.3		

**Main boom 32m | 83°**

Radius [m]	Jib [m]							
	20	41	53	65	77	89	101	113
13	109.2							
20	73.0	64.8						
24	55.5	54.0	47.3					
26	47.2	50.0	45.3					
28		45.6	43.1	32.9				
30		41.1	40.3	32.1	24.6			
34		34.4	35.2	30.2	23.8	16.7		
38		28.5	29.5	28.4	22.7	16.1	11.8	
46		20.8	21.4	21.7	20.1	14.7	10.8	7.7
55			15.5	15.7	16.0	13.0	10.0	7.0
65				11.1	11.1	10.9	8.9	6.2
80					6.2	5.7	5.4	4.4
85						4.6	4.0	3.0
90						3.4	2.9	
95							2.2	

**Main boom 41m | 83°**

Radius [m]	Jib [m]							
	20	41	53	65	77	89	101	113
14	93.9							
22	61.7	56.5						
24	55.9	51.8	44.8					
26	49.9	47.2	43.3					
28		44.0	40.9	31.9				
32		37.5	35.5	30.7	23.3			
36		32.1	31.0	28.2	22.5	16.1		
38		29.4	28.8	27.1	22.0	15.8	11.4	
46		21.8	21.6	21.5	19.7	14.5	10.7	7.5
55			15.8	16.0	15.9	12.9	9.7	6.8
70				9.6	9.4	9.1	8.2	5.5
80					6.6	5.9	5.6	4.6
85						4.8	4.2	3.2
90						3.7	3.2	
95							2.4	

**Main boom 56m | 83°**

Radius [m]	Jib [m]							
	20	41	53	65	77	89	101	113
15.9	75.6							
22	56.8	47.9						
26	48.4	42.4	38.1					
28	44.4	38.9	36.3					
30		36.4	33.8	28.8				
34		31.8	29.6	27.0	20.9			
38		27.9	26.4	24.2	20.3	14.8		
40		25.9	24.9	23.0	19.8	14.6	10.5	
44		22.9	22.5	20.8	18.3	14.0	10.2	7.2
48		19.9	19.5	18.7	17.1	13.2	9.9	7.0
60			13.1	13.1	12.8	10.8	8.6	6.1
70				9.7	9.1	8.4	7.3	5.2
80					6.6	5.7	5.3	4.2
90						3.7	3.1	2.2
95						2.8	2.4	

**Main boom 59m | 83°**

Radius [m]	Jib [m]							
	20	41	53	65	77	89	101	104
16.2	71.7							
24	50.9	44.7						
26	47.0	41.5	36.7					
28	43.4	38.2	35.5					
30		35.7	33.0	28.2				
34		31.2	28.9	26.4	20.6			
38		27.6	25.8	23.6	20.0	14.3		
40		25.8	24.3	22.4	19.5	14.2	10.3	
42		24.1	23.1	21.4	18.7	14.0	10.3	9.6
46		21.3	20.6	19.2	17.2	13.3	10.0	9.4
48		19.8	19.3	18.3	16.6	12.9	9.8	9.2
60			13.2	12.9	12.5	10.4	8.5	8.0
70				9.6	9.1	8.2	7.0	6.6
80					6.6	5.6	5.1	5.1
95						2.7	2.3	2.2

**Main boom 65m | 83°**

Radius [m]	Jib [m]		
	20	41	53
17	63.3		
24	48.0	41.7	
26	44.5	39.0	
28	41.7	36.2	33.0
30	38.7	33.7	31.0
32		31.6	29.0
34		29.5	27.1
36		27.8	25.6
38		26.3	24.2
40		24.7	22.8
42		23.2	21.6
46		20.7	19.5
48		19.3	18.3
50		18.0	17.1
60			12.7

**Main boom 68m | 83°**

Radius [m]	Jib [m]
	38
22.6	42.5
24	41.6
26	38.6
28	35.7
30	33.6
32	31.2
34	29.2
36	27.6
38	26.0
40	24.5
42	23.3
44	21.9
46	20.4
48	15.1

TLT 11959002. Above load charts are for reference only.  
For actual lift duty please refer to load chart in operator's cabin or manual.

Load capacities with luffing jib (No. 2316.xx) | 124 t rear counterweight and 57 t carbody counterweight

**Main boom 20 m | 75°**

Radius [m]	Jib [m]							
	20	41	53	65	77	89	101	110
	[t]	[t]	[t]	[t]	[t]	[t]	[t]	[t]
18	85.3							
26	43.8	44.9						
32		30.2	32.0					
36		25.1	25.3	24.9				
42		19.9	19.1	19.4	18.8			
44		18.5	17.8	17.7	18.0			
46		17.1	16.5	16.2	16.3	14.0		
48		15.1	15.4	14.9	15.1	13.9		
50			14.5	13.9	14.1	13.0		
55			12.3	11.6	11.1	11.2	9.8	7.5
60				9.8	9.2	8.6	8.4	7.2
70				6.8	6.4	5.4	4.8	4.7
75					5.3	4.2	3.6	3.2
80					4.2	3.2	2.5	2.1
85						2.5		

**Main boom 32 m | 75°**

Radius [m]	Jib [m]							
	20	41	53	65	77	89	101	113
	[t]	[t]	[t]	[t]	[t]	[t]	[t]	[t]
20	70.1							
30	45.6	43.0						
34		37.6	34.5					
40		31.0	30.0	27.3				
44		27.5	26.7	24.9	20.7			
50		23.4	22.7	21.6	19.9	14.7		
55			20.0	19.2	17.8	14.1	10.0	
60			17.7	17.0	16.0	13.3	9.8	6.7
70				13.5	12.8	11.4	9.0	6.2
80					10.0	9.0	7.9	5.5
85					8.8	7.8	6.8	5.0
90						6.8	5.8	3.4
95						5.8	4.9	
100							4.0	
105							3.3	

**Main boom 41 m | 75°**

Radius [m]	Jib [m]							
	20	41	53	65	77	89	101	113
	[t]	[t]	[t]	[t]	[t]	[t]	[t]	[t]
22.3	58.6							
32	40.9	37.4						
38		31.2	29.2					
40		29.8	27.6					
42		28.1	26.3	23.7				
48		23.7	22.7	21.0	18.7			
50		22.5	21.7	19.9	18.1			
55			19.1	17.9	16.2	13.7		
60			17.0	16.1	14.4	12.4	9.7	
65			14.8	14.4	13.1	11.2	9.3	6.4
75				11.4	10.4	9.2	7.7	5.8
85					8.0	7.0	5.9	4.7
90						6.0	4.9	3.9
95						5.1	4.1	2.5
105							2.6	

**Main boom 56 m | 75°**

Radius [m]	Jib [m]							
	20	41	53	65	77	89	101	113
	[t]	[t]	[t]	[t]	[t]	[t]	[t]	[t]
26.2	44.7							
36	32.4	28.7						
42		24.4	22.5					
44		23.5	21.5					
46		22.4	20.6	18.3				
50		20.4	18.6	16.8				
55		18.2	16.7	15.0	13.1			
60			15.1	13.5	11.7	9.9		
65			13.7	12.2	10.5	8.8	7.0	
70				11.0	9.5	7.8	6.1	4.4
80				8.5	7.5	6.3	4.7	3.1
85					6.4	5.3	4.1	2.5
90					5.5	4.4	3.3	2.1
95						3.7	2.6	
100						2.9		

**Main boom 59 m | 75°**

Radius [m]	Jib [m]							
	20	41	53	65	77	89	101	104
	[t]	[t]	[t]	[t]	[t]	[t]	[t]	[t]
28	40.7							
36	31.7	27.3						
42		23.6	21.6					
46		21.7	19.9	17.3				
48		20.7	18.9	17.1				
50		19.8	18.0	16.3				
55		17.9	16.2	14.6	12.8			
60			14.7	13.2	11.5	9.5		
65			13.2	11.9	10.3	8.4	7.1	6.6
70				10.6	9.3	7.5	6.3	6.0
75				9.3	8.2	6.8	5.5	5.2
80				8.1	7.1	6.0	4.8	4.5
90					5.2	4.1	3.0	2.8
95						3.3	2.3	2.1
100						2.6		

**Main boom 65 m | 75°**

Radius [m]	Jib [m]		
	20	41	53
	[t]	[t]	[t]
28.5	36.8		
30	35.4		
32	33.4		
34	31.6		
36	30.0		
38	28.6	24.3	
40		23.2	
42		22.0	
44		20.9	19.0
46		20.0	18.1
48		19.1	17.4
50		18.3	16.6
55		16.7	14.9
65			12.3
70			10.9

**Main boom 68 m | 75°**

Radius [m]	Jib [m]
	38
	[t]
36.9	24.4
38	24.2
40	22.8
42	21.6
44	20.6
46	19.7
48	18.9
50	18.1
55	16.5

TLT 11959002. Above load charts are for reference only.  
For actual lift duty please refer to load chart in operator's cabin or manual.



Please contact us.



Download datasheet

---

**Liebherr-Werk Nenzing GmbH**

Dr. Hans Liebherr Str. 1, 6710 Nenzing/Austria  
Tel.: +43 50809 41-473, Fax: +43 50809 41-499  
crawler.crane@liebherr.com, www.liebherr.com  
facebook.com/LiebherrConstruction