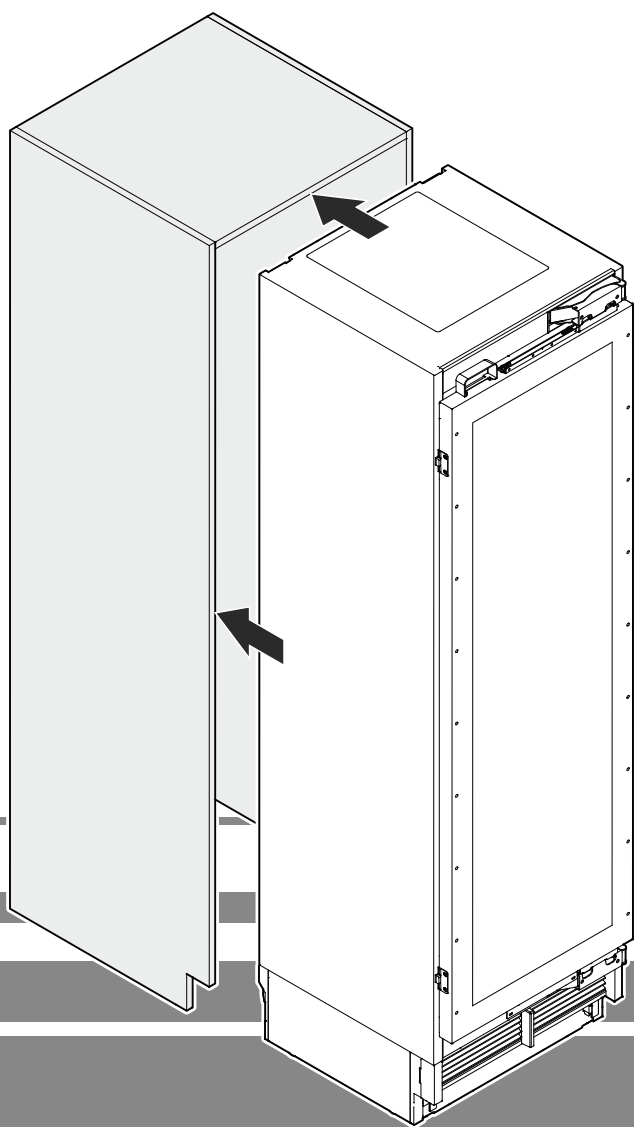


# Installation instructions

Multi-temperature wine cabinet

Page 20

EN



7085 999-00

EWT 91 / EWT 92

**LIEBHERR**

## Content

Please read and follow these instructions.....	20
Note to the installer.....	21
Mounting the anti-tipping device .....	21
Setting up .....	21
Electrical connection.....	21
Appliance dimensions .....	22
Door swing clearance (top view) .....	22
Installation dimensions.....	23
Panel dimensions .....	24
Unpacking .....	25
Supplied accessories .....	27
Anti-tipping device.....	28
Appliance installation .....	29
SmartDeviceBox (not supplied in all countries) .....	36
Please note in case of removing appliance from the recess ..	37
Important note for changing over door hinges or limiting the door opening angle to 90° .....	37

## Please read and follow these instructions.

These instructions contain Danger, Warning and Caution notes.

This information is important for safe and efficient installation and operation.

Always read and comply with all Danger, Warning and Caution notes!

### DANGER!

**Danger indicates an imminent hazard which will cause serious injury or death if precautions are not followed.**

### WARNING!

**Warning indicates a hazardous situation which, if not avoided, could result in death or serious injury.**

### CAUTION!

**Caution indicates a potentially hazardous situation which, if not avoided, may result in minor or moderate injury.**

### IMPORTANT

This indicates information that is especially relevant to a problem-free installation and operation.

## Note to the installer

It is very important to follow the instructions in the manual to ensure proper installation and operation of the appliance.

Before installing the appliance, be sure to thoroughly read and understand all of the information in this manual.



**WARNING!**

**Risk of electric shock.**

**Do not connect to the socket before the installation is completed.**


## Mounting the anti-tipping device

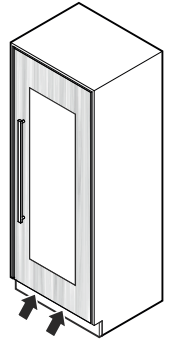


**WARNING!**

**To avoid a hazard due to instability of the appliance, it must be secured in accordance with the instructions.**

## Setting up

- Do not place the appliance in direct sunlight or near cookers, radiators and similar sources of heat.
- The floor on which the appliance stands should be horizontal and level.
- Do not cover ventilation openings or grilles. 
- The door front must finish at least 102 mm above the floor to guarantee adequate ventilation and air extraction.
- The more refrigerant there is in the appliance, the larger the room in which the appliance is installed must be. If the room is too small, any leak may create a flammable mixture of gas and air. For each 8 g of refrigerant, the installation space must be at least 1 m<sup>3</sup>. Information on the refrigerant can be found on the type plate inside the appliance.



## Electrical connection

Only operate the appliance with **alternating current (AC)**.

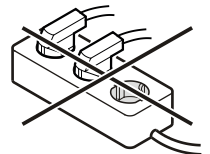
The permissible voltage and frequency are indicated on the type plate. The position of the type plate is shown in the section entitled **Description of the appliance** (Operating instructions).

The socket must be properly earthed and protected by a fuse.

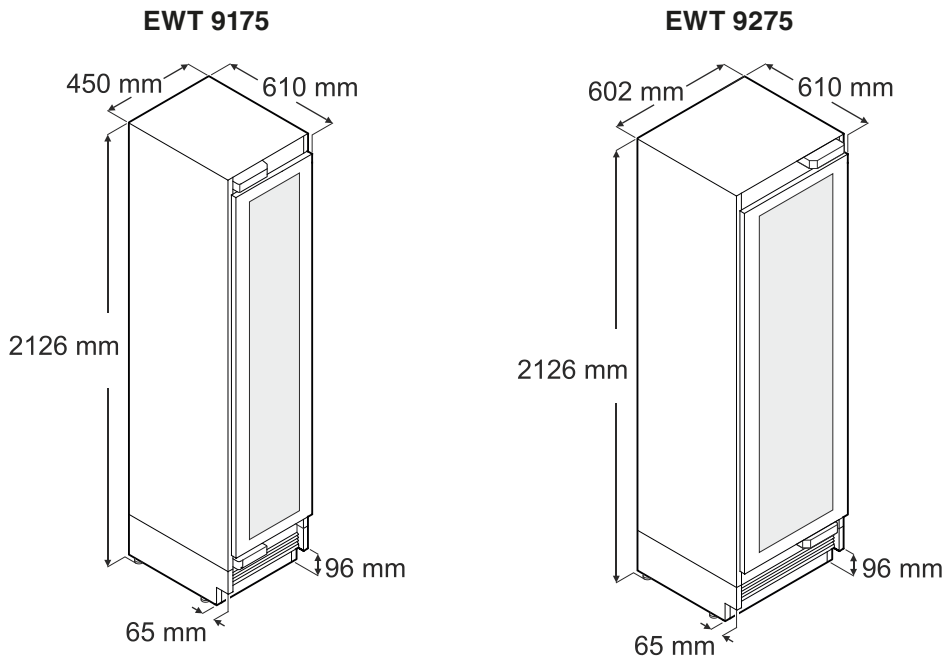
The tripping current of the fuse must be between 10 A and 16 A.

Do not connect the appliance using an extension cable or extension socket.

Do not use stand-alone inverters (conversion of direct current to alternating current/three-phase current) or energy-saving plugs. Risk of damage to the electronic control system!

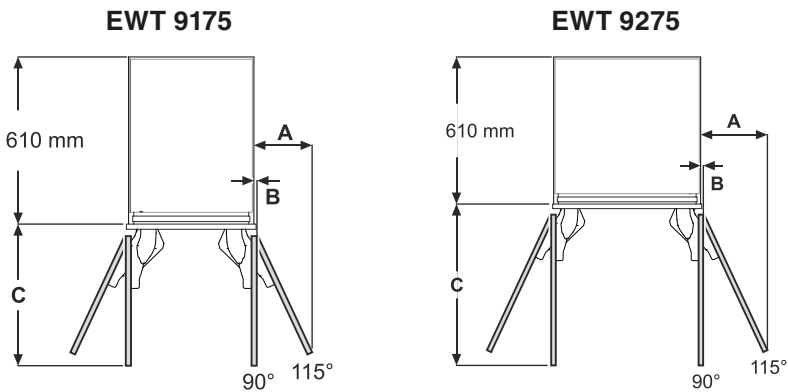


## Appliance dimensions



Stated minimum height dimensions include when the adjustable feet are fully inserted. Width will increase by 6.5 mm when mounting strips are installed.

## Door swing clearance (top view)



### Internal door panel

A = 210 mm  
B = 12.5 mm  
C = 505 mm

### External door panel

A = 216 mm  
B = 12.5 mm  
C = 517 mm

### Internal door panel

A = 273 mm  
B = 12.5 mm  
C = 658 mm

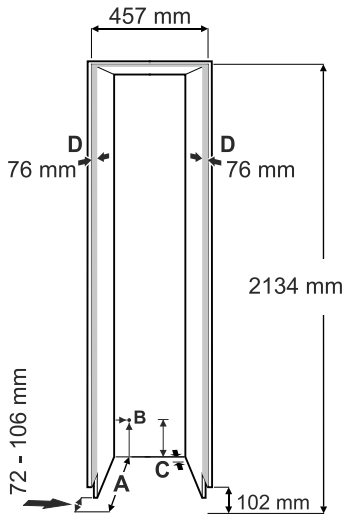
### External door panel

A = 279 mm  
B = 12.5 mm  
C = 670 mm

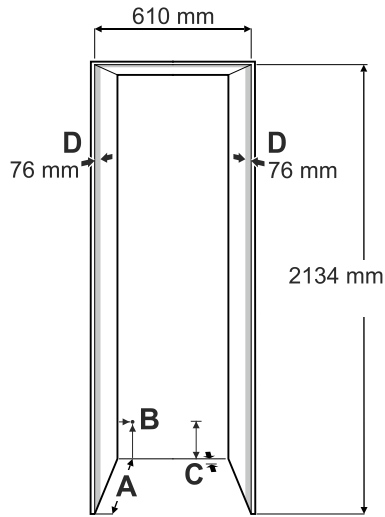
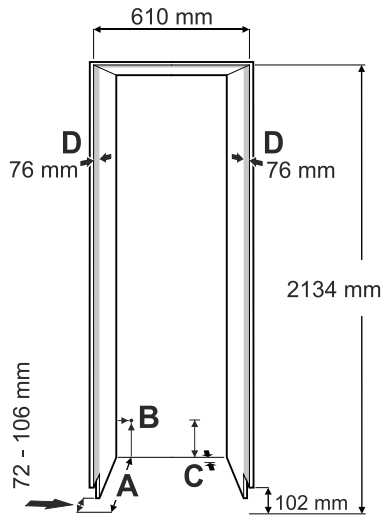
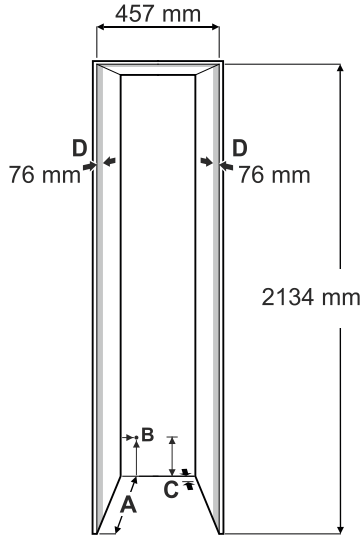
Dimension A and B: add panel thickness and handle projection to calculate distance to wall.

## Installation dimensions

### Continuous plinth panel



### Individual plinth panel



**A**  
 Recess depth for external door panel = 635 mm

Recess depth for internal door panel = 635 mm plus panel thickness

**B**  
 This is the point where the mains cable exits from the appliance rear. 19 mm from the left and 127 mm from the floor. Free length of the mains cable is 2.5 m.

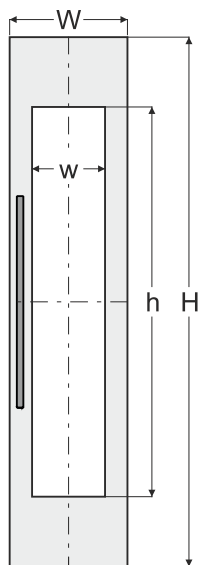
#### IMPORTANT

**The socket must be easily accessible so that the appliance can be disconnected from the mains quickly in an emergency. It must not be behind the back of the appliance.**

**C**  
 The appliance has a recess in this area for cable and water line laying. 25 mm in depth and 140 mm in height over the whole width of the appliance.

**D**  
 This surface is visible when the appliance door is open. Designed finish is required.

## Panel dimensions



### 457 mm recess

#### Internal door panel

H = 2029 mm

W = 451 mm

h = 1495 mm

w = 280 mm

#### External door panel

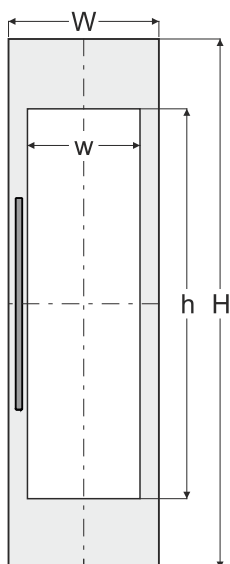
H = 2032 mm plus overlapping of the panel on the top

W = 457 mm plus overlapping of the panel on both sides

Minimum panel thickness = 16 mm

Maximum panel thickness = 25 mm

Maximum panel weight = 25 kg



### 610 mm recess

#### Internal door panel

H = 2029 mm

W = 603 mm

h = 1495 mm

w = 432 mm

#### External door panel

H = 2032 mm plus overlapping of the panel on the top

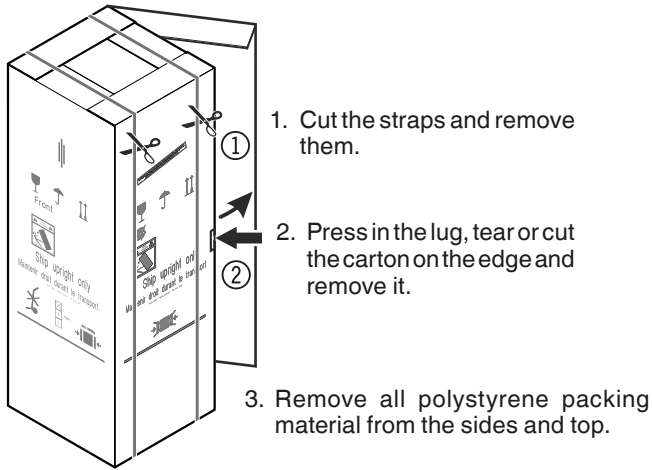
W = 610 mm plus overlapping of the panel on both sides

Minimum panel thickness = 16 mm

Maximum panel thickness = 25 mm

Maximum panel weight = 30 kg

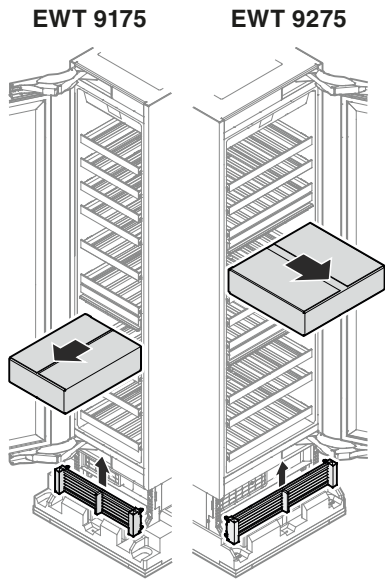
# Unpacking



1. Cut the straps and remove them.

2. Press in the lug, tear or cut the carton on the edge and remove it.

3. Remove all polystyrene packing material from the sides and top.

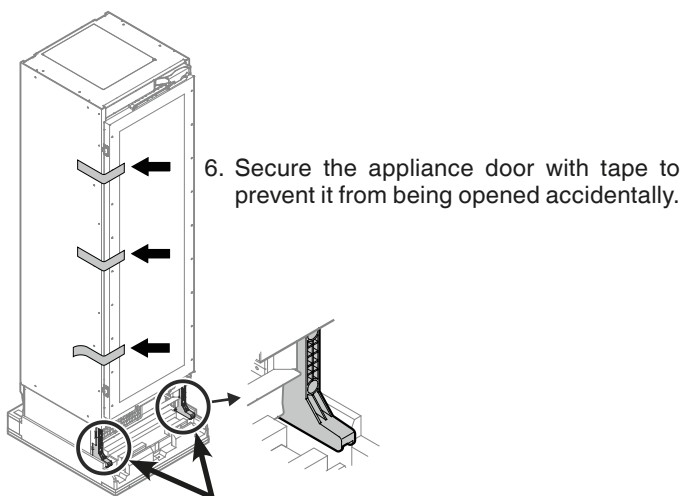


EWT 9175

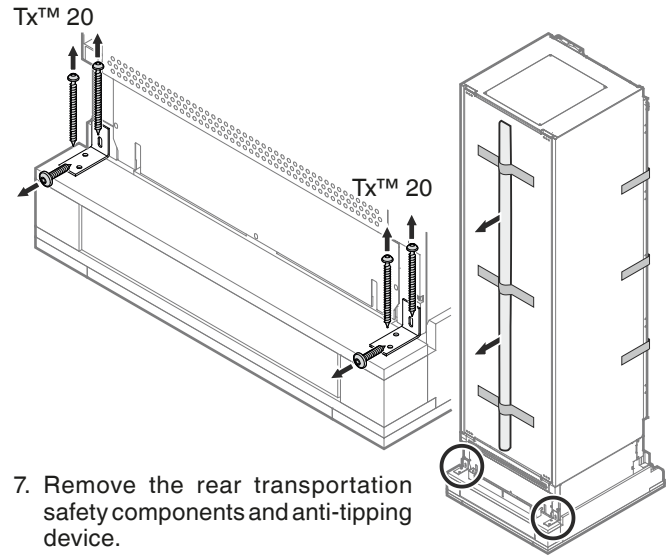
EWT 9275

4. Remove the box with mounting accessories.

5. Remove the ventilation grille.



6. Secure the appliance door with tape to prevent it from being opened accidentally.



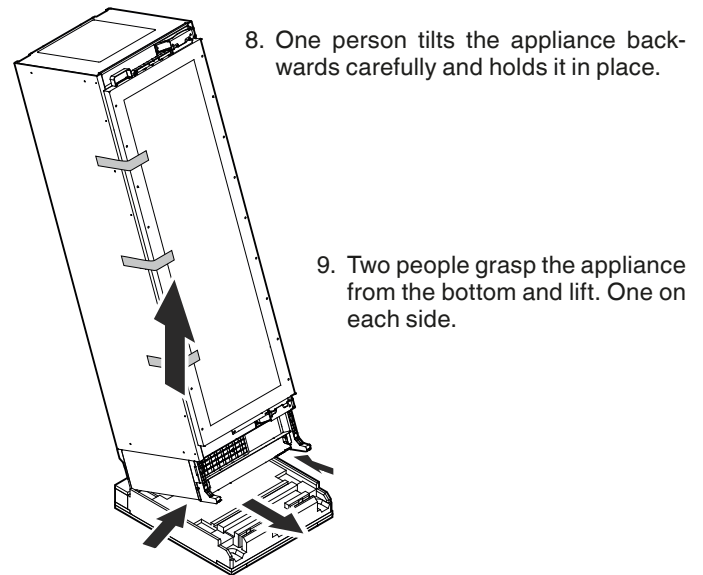
7. Remove the rear transportation safety components and anti-tipping device.

Remove the packed cover strips and support strips from the appliance rear.

**⚠ WARNING!**

**Risk of injury and damage.**

**Four people are required to safely remove the appliance from the bottom pallet.**



8. One person tilts the appliance backwards carefully and holds it in place.

9. Two people grasp the appliance from the bottom and lift. One on each side.

10. One person removes the pallet. Place the appliance carefully on the floor.

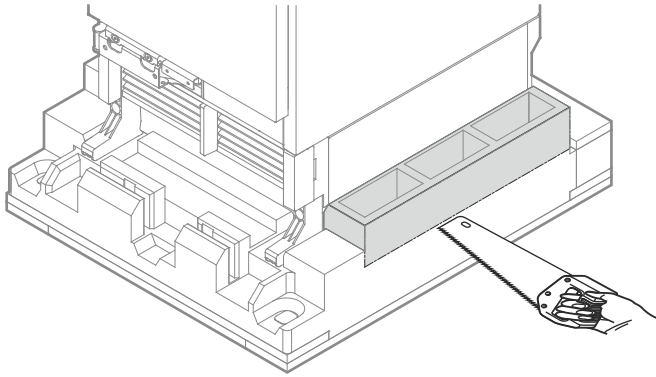
**⚠ DANGER!**

**Risk of death or serious injury due to the appliance tipping over.**

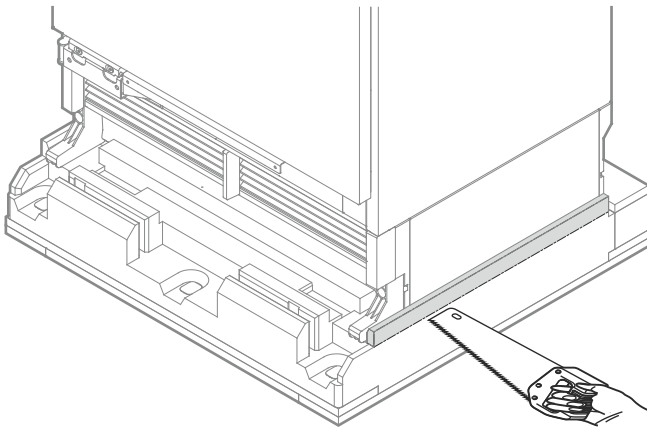
**Do not remove the transportation safety components before the appliance is in the recess.**

**Alternative possibility:**

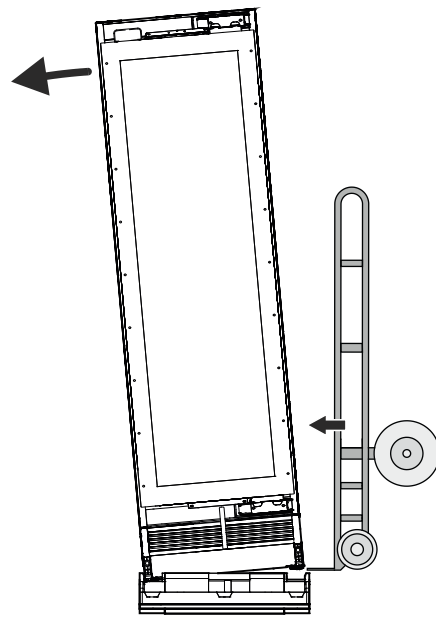
Cut off the marked area from the pallet.



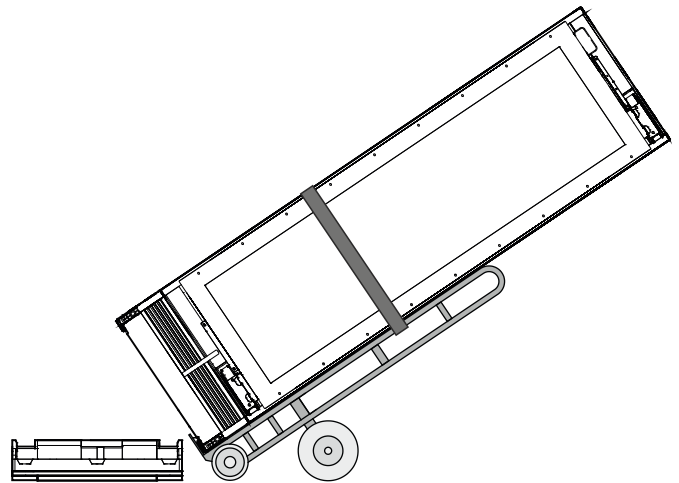
or



Tilt the appliance slightly sideways.



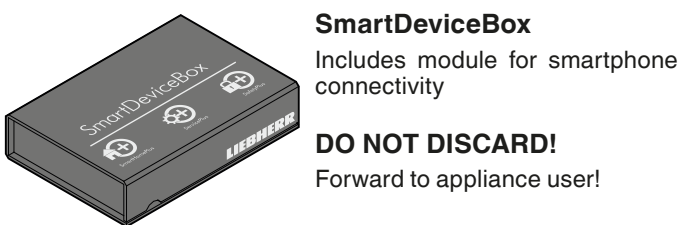
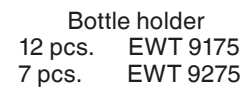
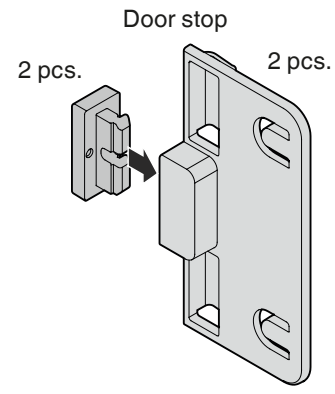
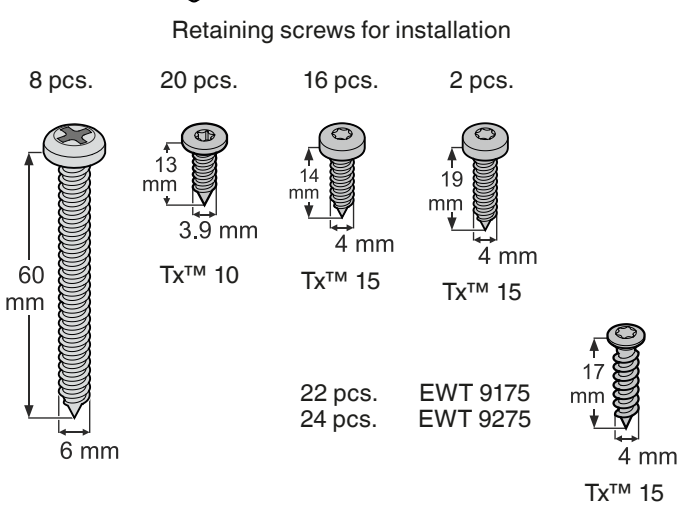
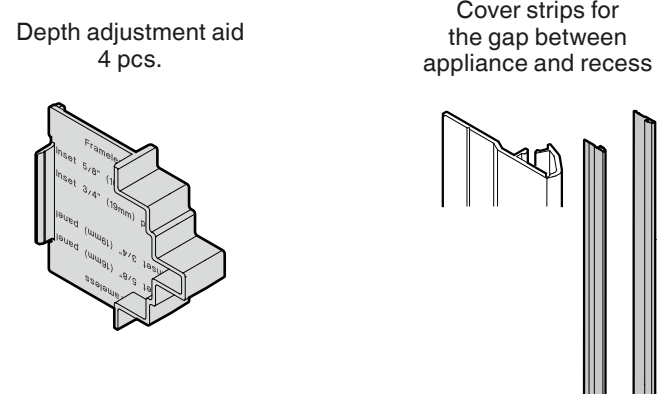
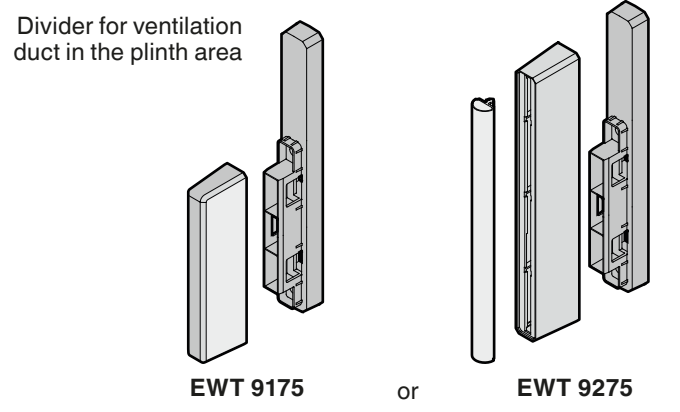
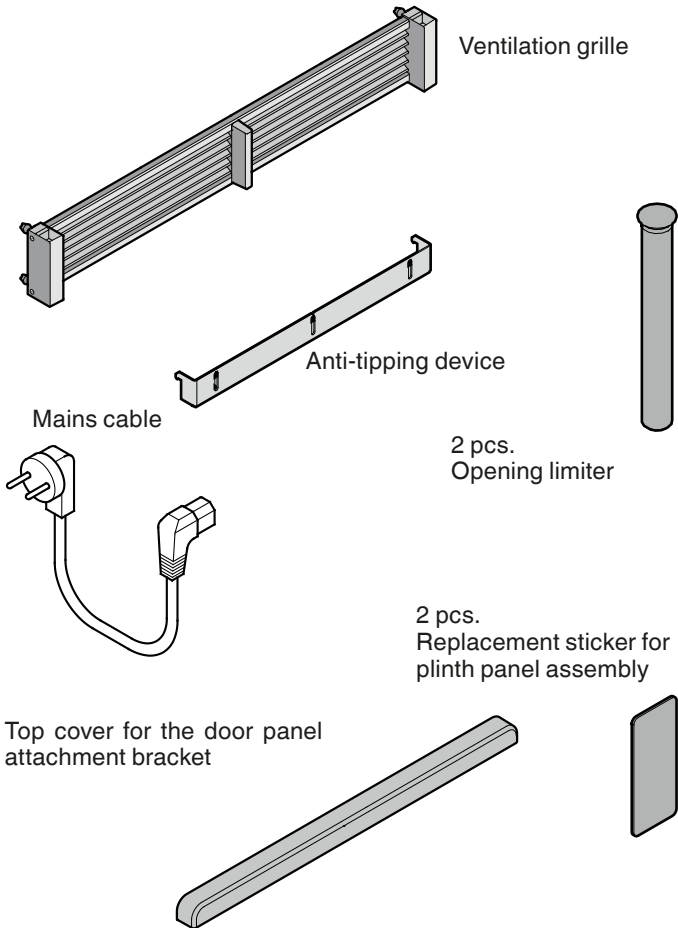
Slide a transport dolly between the appliance and packaging.  
Tie the appliance to the dolly with straps.  
Tilt the appliance onto the dolly.



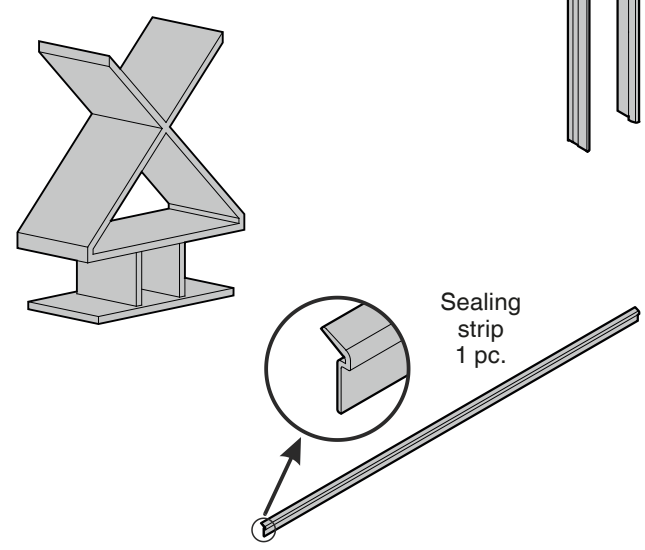
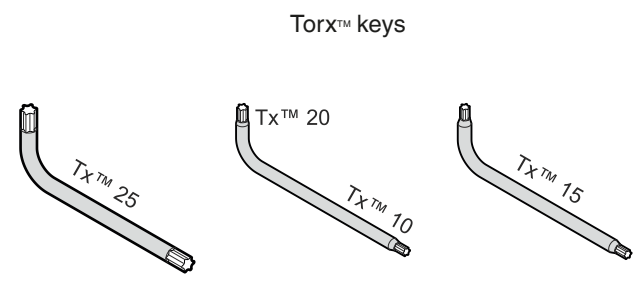
Place the appliance carefully on the floor.



**Supplied accessories**



SmartDevice functions are not available in all countries.



## Anti-tipping device

The supplied anti-tipping bracket must be installed in all cases. This prevents the appliance from tipping over when the fully loaded door is opened.

- May only be installed by trained personnel.
- The 6 x 60 mm screws are designed for standard dry walls.
- If the anti-tipping bracket cannot be secured properly using the 6 x 60 mm screws, use suitable anchors or different screws.

### Positioning the anti-tipping device - figure 1 - 2

#### IMPORTANT

Unit depth min. 635 mm

The anti-tipping bracket is fastened to the floor downwards and to the spacer backwards.

#### WARNING!

Ensure that the spacer is fastened securely to the floor.

#### Kitchen unit with internal door panel - figure 1

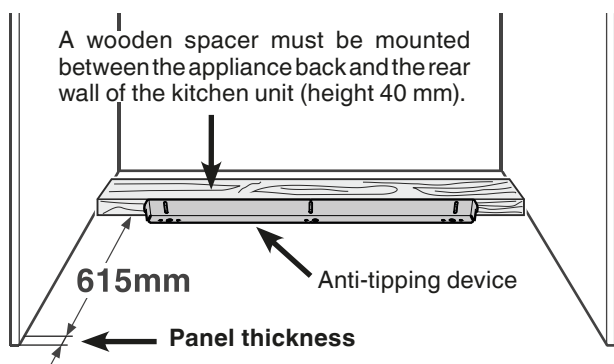


Figure 1

#### Kitchen unit with external door panel - figure 2

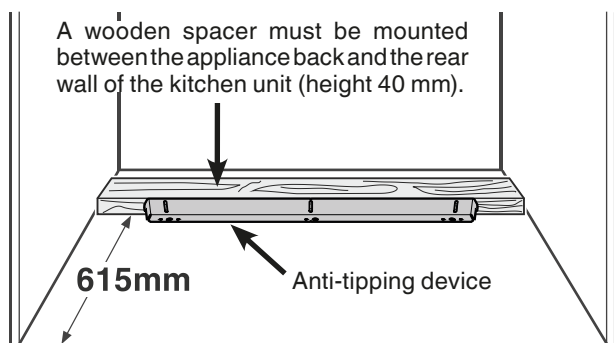


Figure 2

#### IMPORTANT

If the floor slopes down sideways, the anti-tipping bracket must be fitted horizontally. Put spacers underneath where necessary.

### Mounting the anti-tipping device on wooden floors - figure 3

1. Mark the centre line of the appliance on the rear wall. Align the anti-tipping bracket centre to this centre line.

#### WARNING!

Ensure that there are no electric cables or water pipes in the wall section to which the anti-tipping bracket is to be secured. These could be damaged by screws or drills during installation.

2. Fasten the anti-tipping bracket to the wooden floor using 5 screws (6 x 60). Drill pilot holes if necessary.
3. Fasten the anti-tipping bracket to the rear wall using 3 screws (6 x 60).

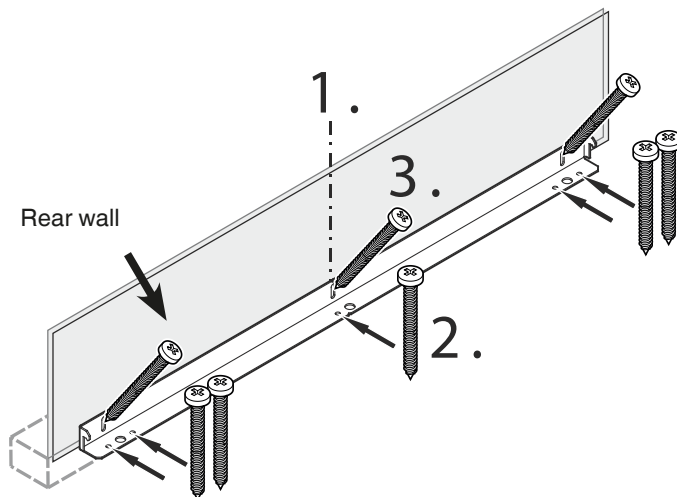


Figure 3

## Mounting the anti-tipping device on concrete floors - figure 4 - 5

1. Mark the centre line of the appliance on the rear wall. Align the anti-tipping bracket centre to this centre line.



### WARNING!

Ensure that there are no electric cables or water pipes in the wall section to which the anti-tipping bracket is to be secured. These could be damaged by screws or drills during installation.

2. Drill 10 mm diameter holes in the positions shown in **figure 4** using a carbide drill bit. The depth of the holes must exceed the overall length of the anchors. Clean the holes after drilling.
3. Fit the washer and screw on the hex nut to the end of each anchor. Drive in all three anchors. Align the anti-tipping bracket centre to the centre line on the rear wall again. Fasten the anchors by turning the hex nut.
4. Fasten the anti-tipping bracket to the rear wall (**figure 5**) using 3 screws (6 x 60).

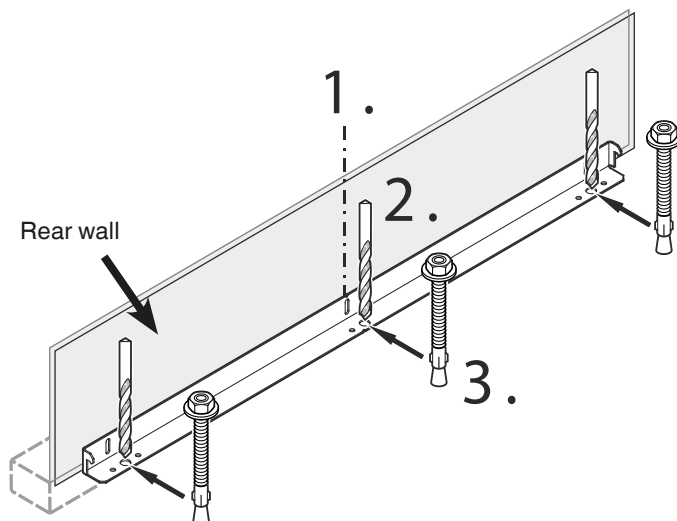


Figure 4

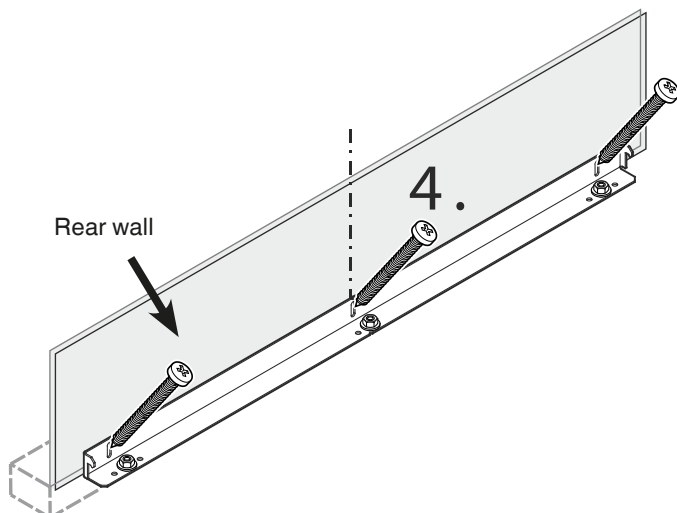
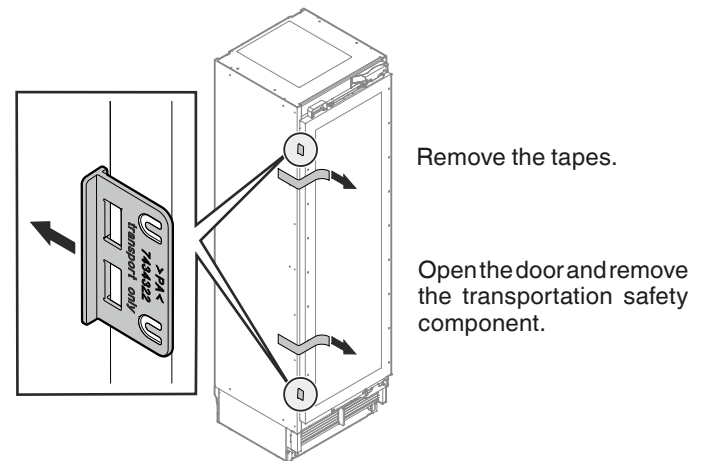
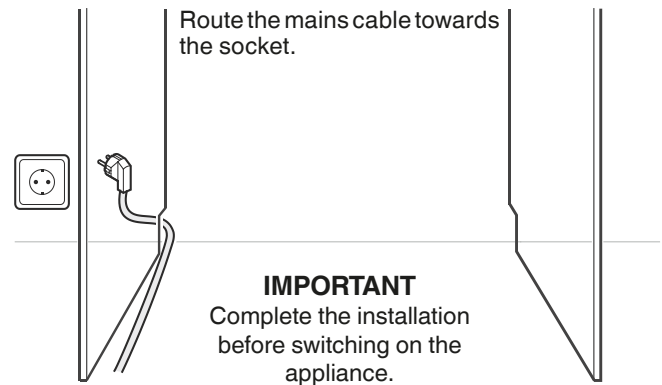


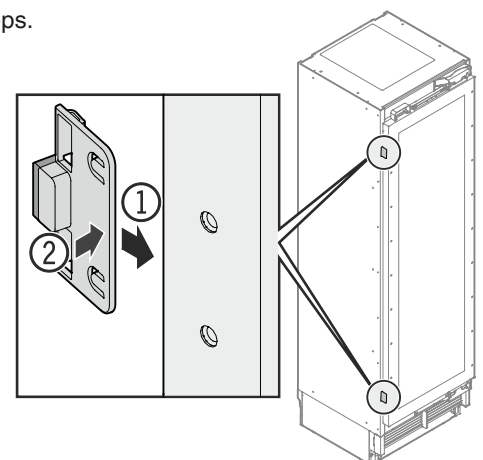
Figure 5

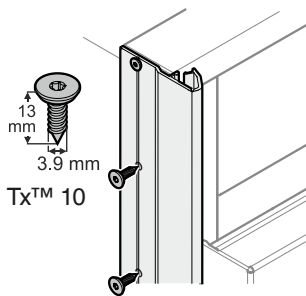
## Appliance installation

Move the appliance towards the final position and leave enough space to work behind.

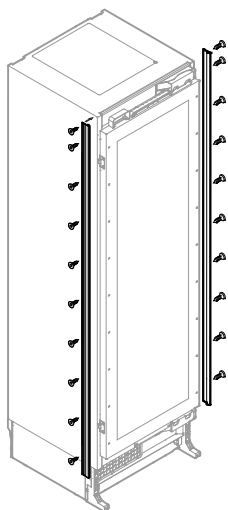


Fit the door stops.



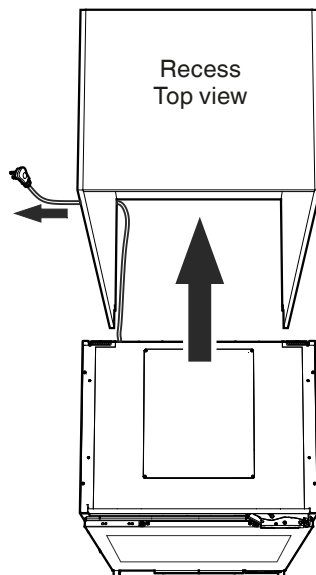


Apply the appliance cover strips to the left and right front edge of the appliance housing, align in height with the appliance top and screw into place. The strip is transparent so that the designed attachment holes on the appliance housing are visible. We recommend that you mark and pre-drill the hole positions in the strip.



**IMPORTANT**

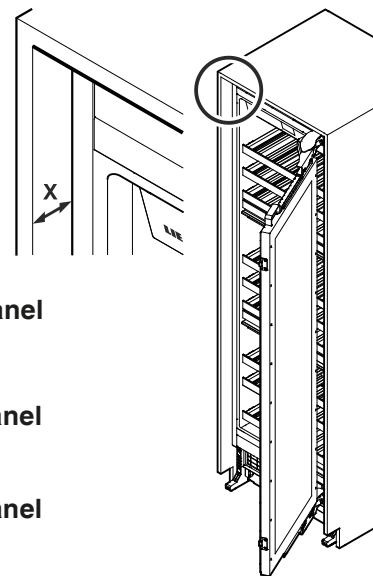
Use the correct flat-headed screws, otherwise the edges of the kitchen unit will be damaged when sliding the appliance into the recess.



Slide the appliance into the recess. Move the mains cable and appliance at the same time to avoid damage.

Align the appliance in depth.

X = recess front to appliance housing front (not cover strip)



Mounting the depth adjustment aid into the cover strips

**Internal 22 mm door panel**

X = 66 mm

**Internal 19 mm door panel**

X = 63 mm

**Internal 16 mm door panel**

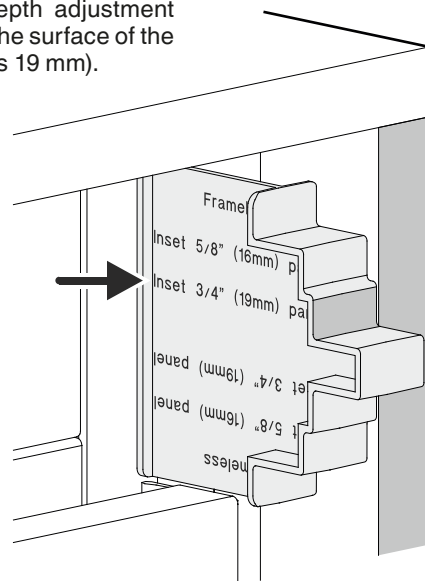
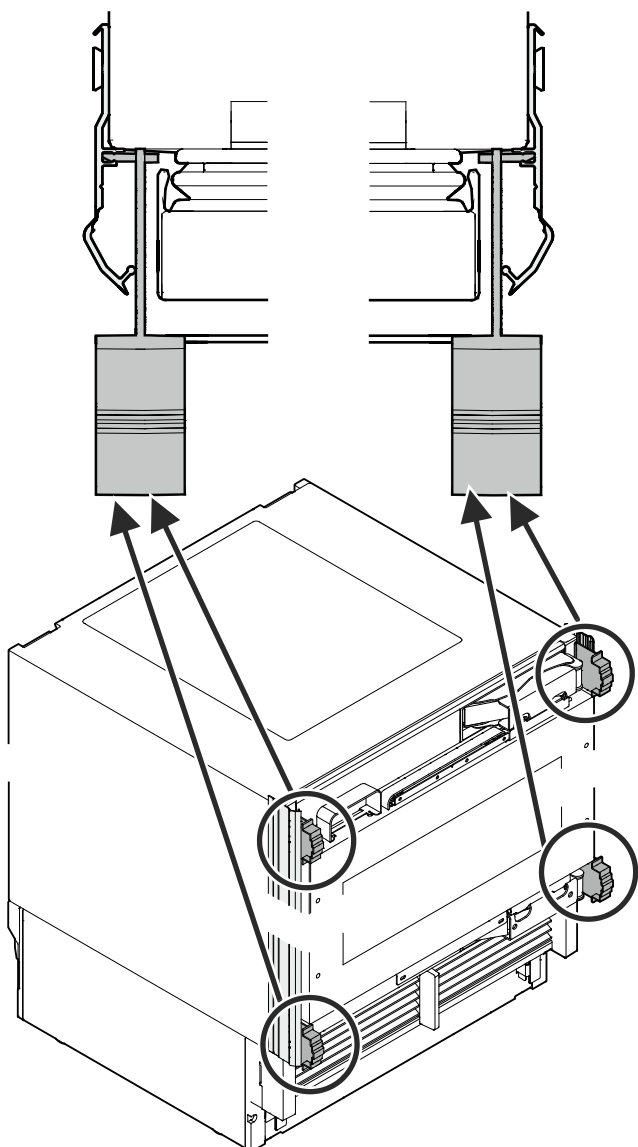
X = 60 mm

**External door panel**

X = 44 mm

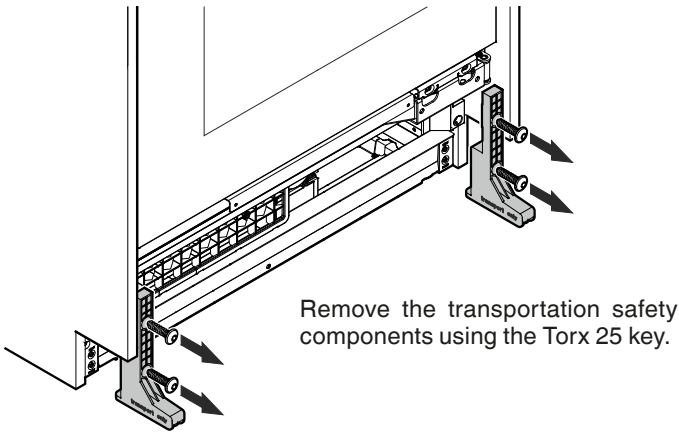
or

with the depth adjustment aid:  
The surface of the depth adjustment aid must be flush with the surface of the recess (example shows 19 mm).

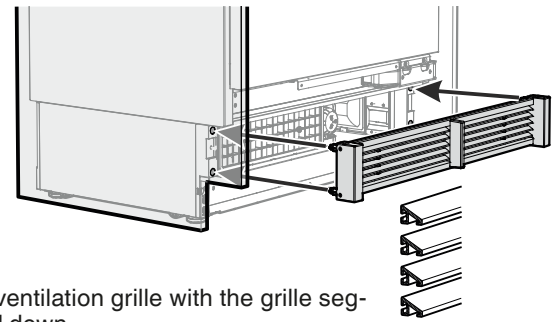


**IMPORTANT**

The depth of the door panel cannot be adjusted later!



Remove the transportation safety components using the Torx 25 key.

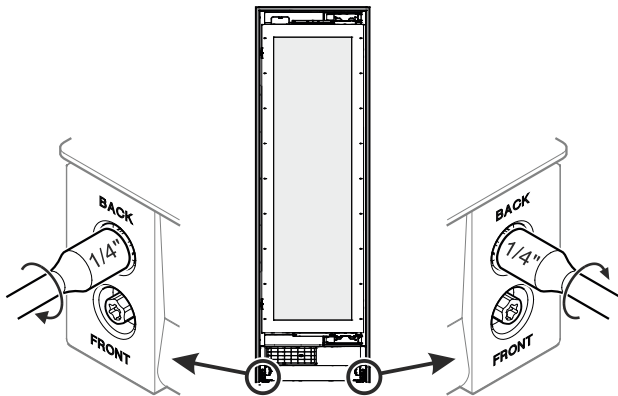


Mount the ventilation grille with the grille segments tilted down.

**⚠ DANGER!**

**Risk of death or serious injury due to the appliance tipping over.**

**Do not open the appliance door before the height adjustment is finished and the anti-tipping bracket supports the appliance.**



Turn clockwise to raise the appliance.

Raise the appliance evenly by turning the screws successively until the appliance back touches the anti-tipping bracket (lift approx. 6.5 mm).

To attain the minimum base panel height of 102 mm, the adjustable feet must be raised 6 to 8 mm.

Maximum height adjustment of the appliance = 19 mm

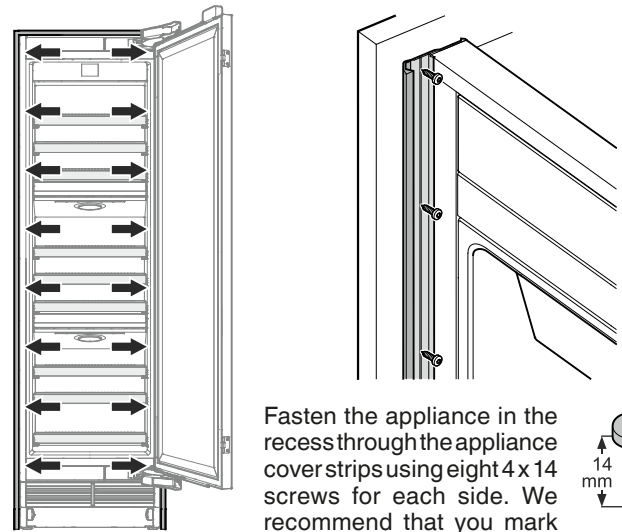
**IMPORTANT**

When turning the screws with an electric screwdriver, please make absolutely sure that:

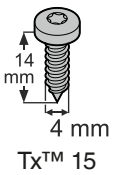
- Maximum rotation speed = 400 rpm
- Maximum torque = 1 Nm

**Failure to follow this instruction will result in damage to the height adjustment unit.**

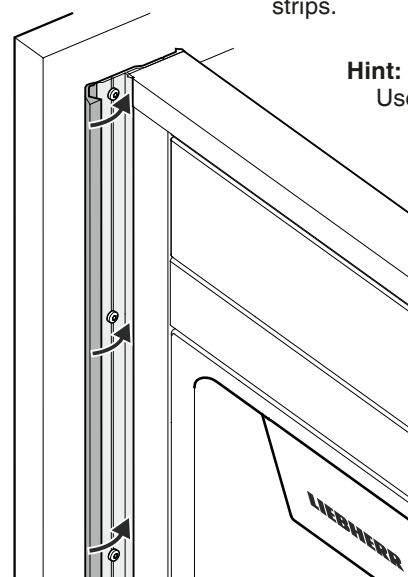
Remove the depth adjustment aid before fastening the appliance in the recess.



Fasten the appliance in the recess through the appliance cover strips using eight 4 x 14 screws for each side. We recommend that you mark and pre-drill the hole positions in the strip.



Close the front part of the appliance cover strips.



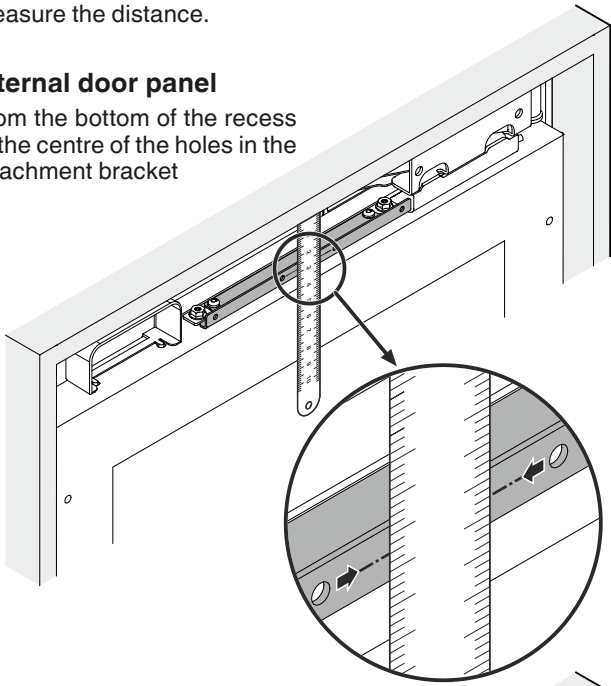
**Hint:**

Use the removed transportation safety component to help with closing.

Measure the distance.

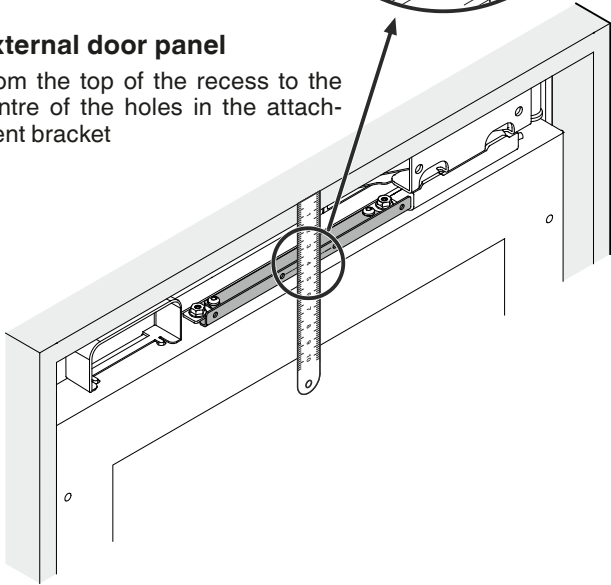
**Internal door panel**

From the bottom of the recess to the centre of the holes in the attachment bracket

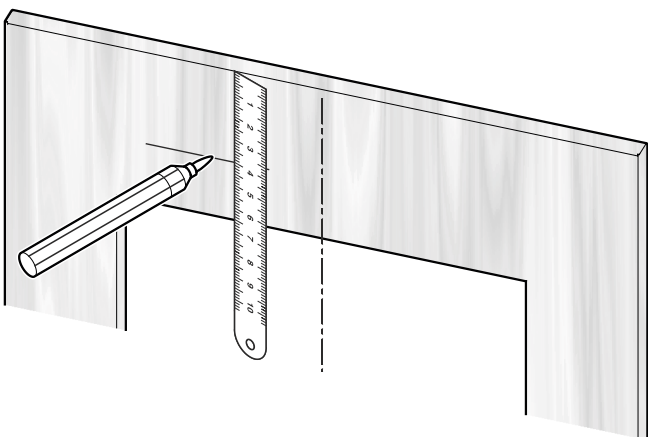


**External door panel**

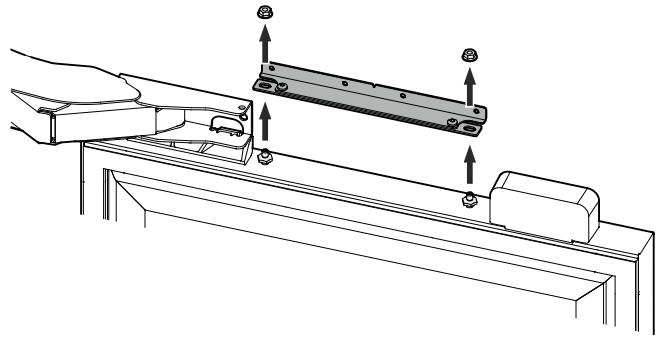
From the top of the recess to the centre of the holes in the attachment bracket



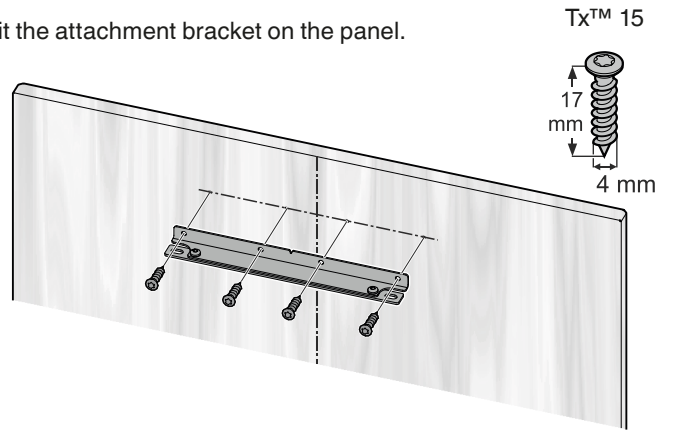
Mark the spacing on the door panel.



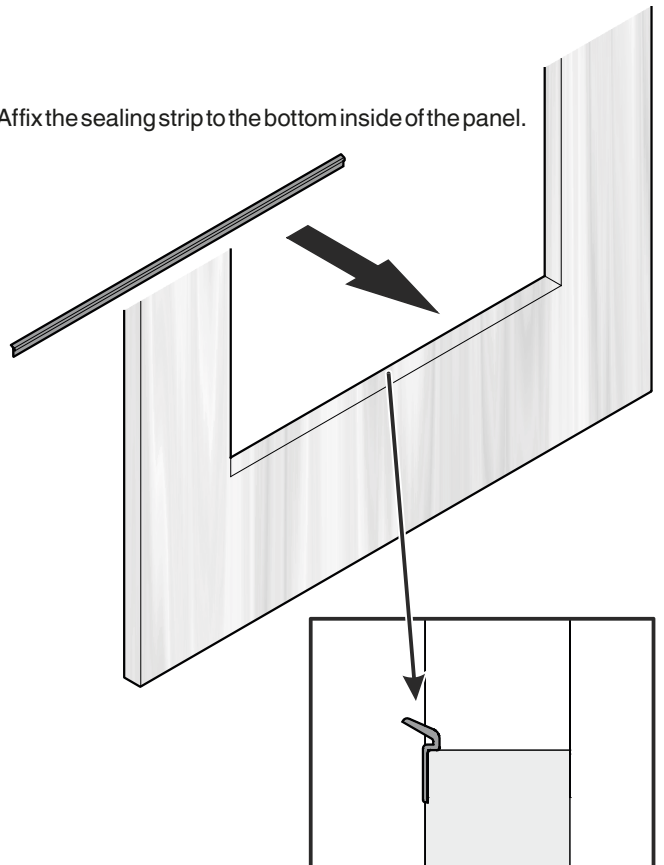
Remove the attachment bracket from the door. The nuts are required again later.



Fit the attachment bracket on the panel.

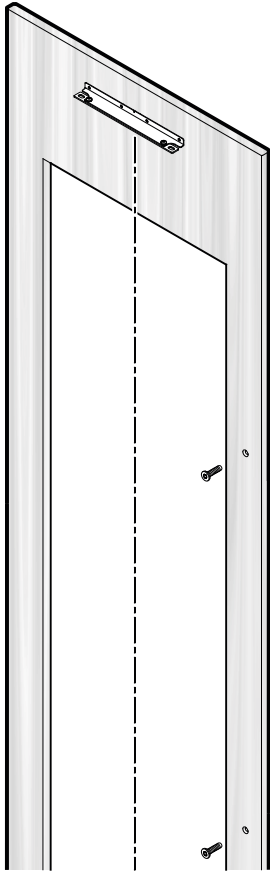


Affix the sealing strip to the bottom inside of the panel.



**IMPORTANT**

The door handle should be mounted now because the appliance door will cover the attachment holes in the panel.



Only use countersunk screws for handle mounting.

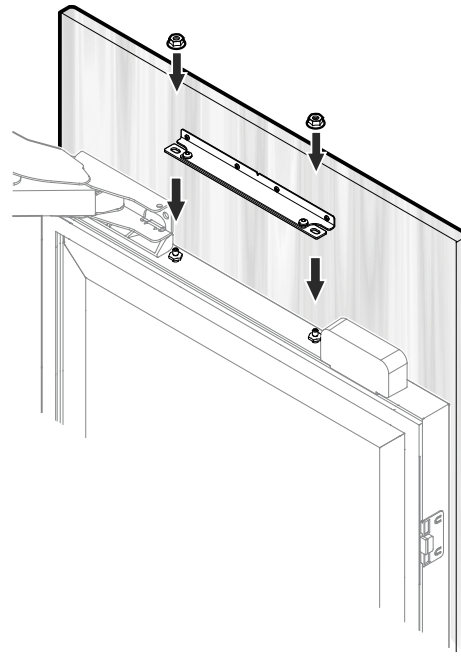
The holes should be counter-sunk.

The screw heads should be flush with the panel.

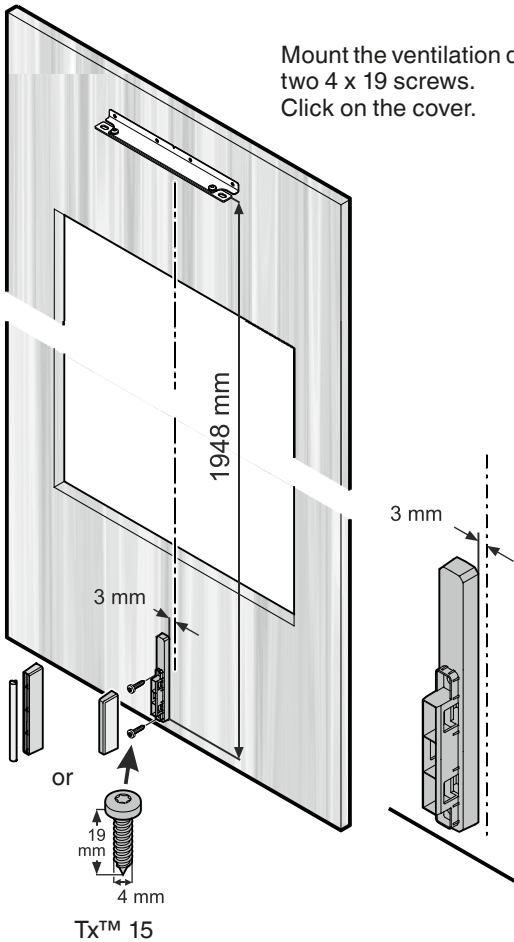
**IMPORTANT**

If the door has to be limited to a 90° opening angle, it must be done before the panel is mounted onto the appliance door. See chapter "Important note for changing over door hinges or limiting the door opening angle to 90°" on page 36.

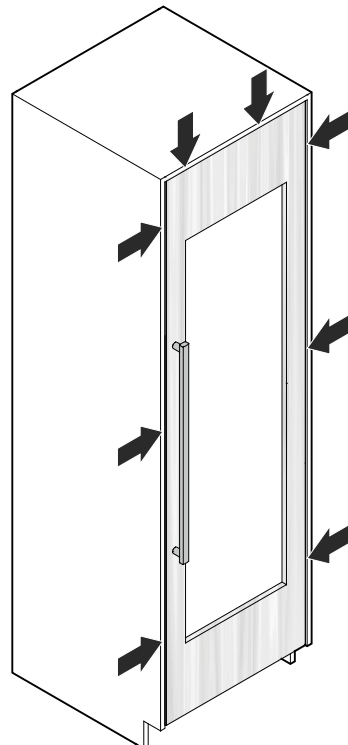
Open the appliance door.  
Place the door panel on the top adjusting screws and align in the centre.  
Screw the hex nuts onto the adjusting screws and tighten.



Mount the ventilation duct divider with two 4 x 19 screws.  
Click on the cover.



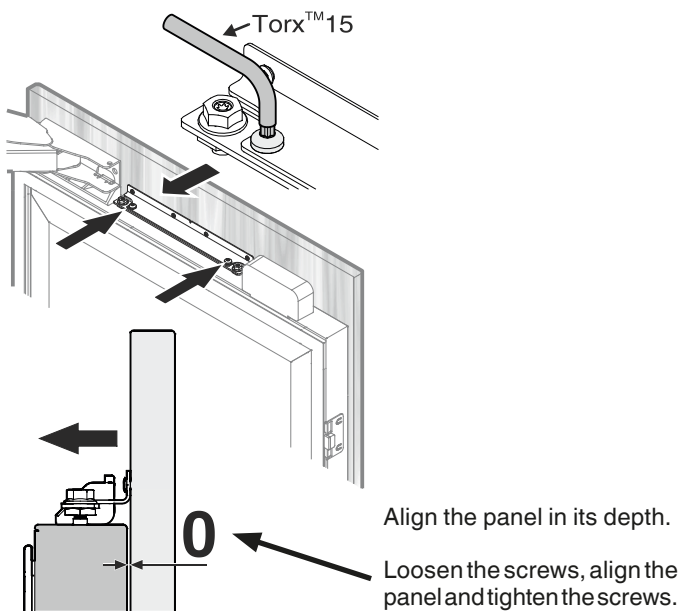
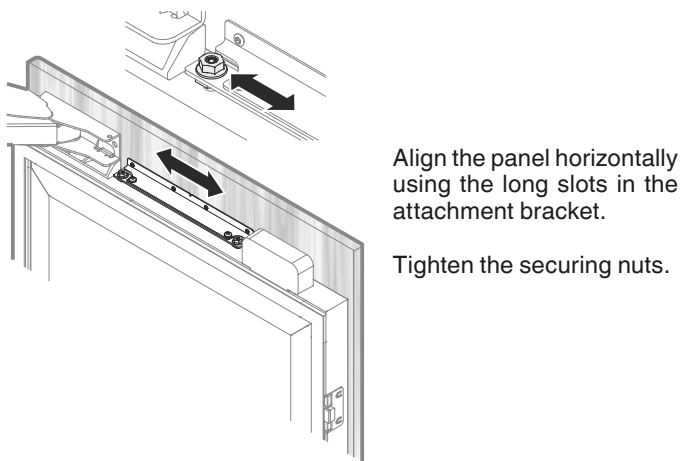
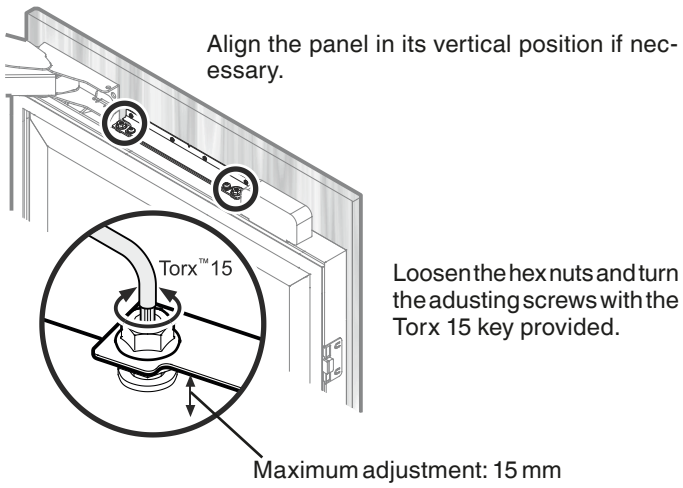
Close the door and check the position of the door panel.



**IMPORTANT**

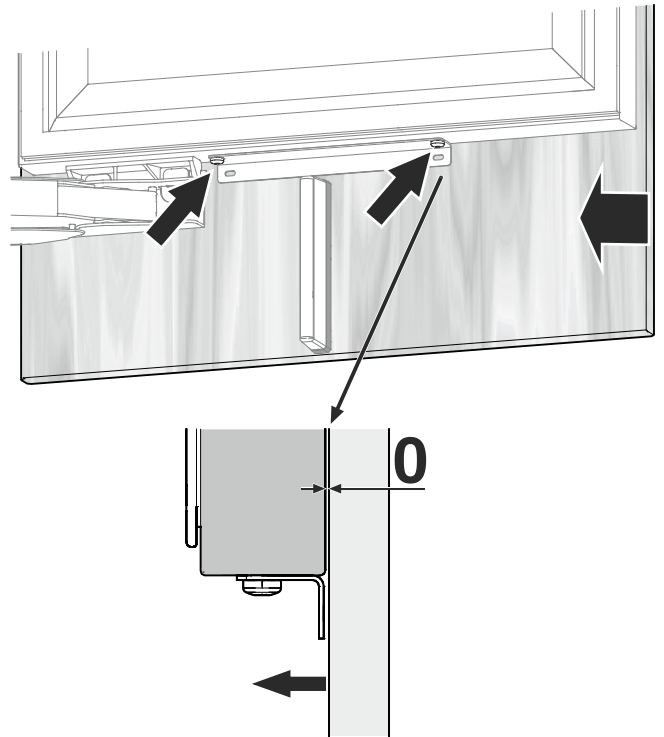
After a certain time and loading, it may be necessary to readjust the door.



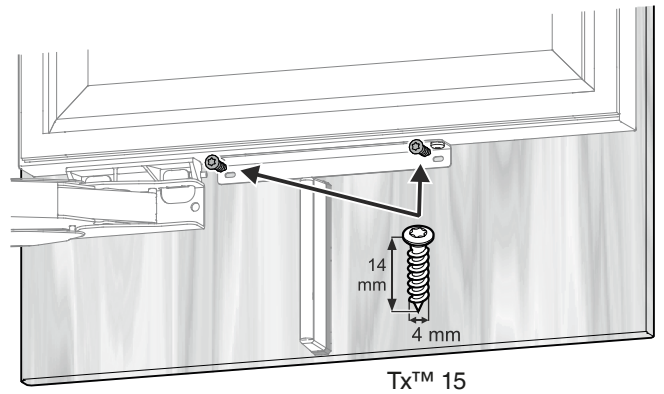


Align the panel in its depth at the bottom.

Loosen the screws, align the panel and tighten the screws. Use the Torx 20 key provided.



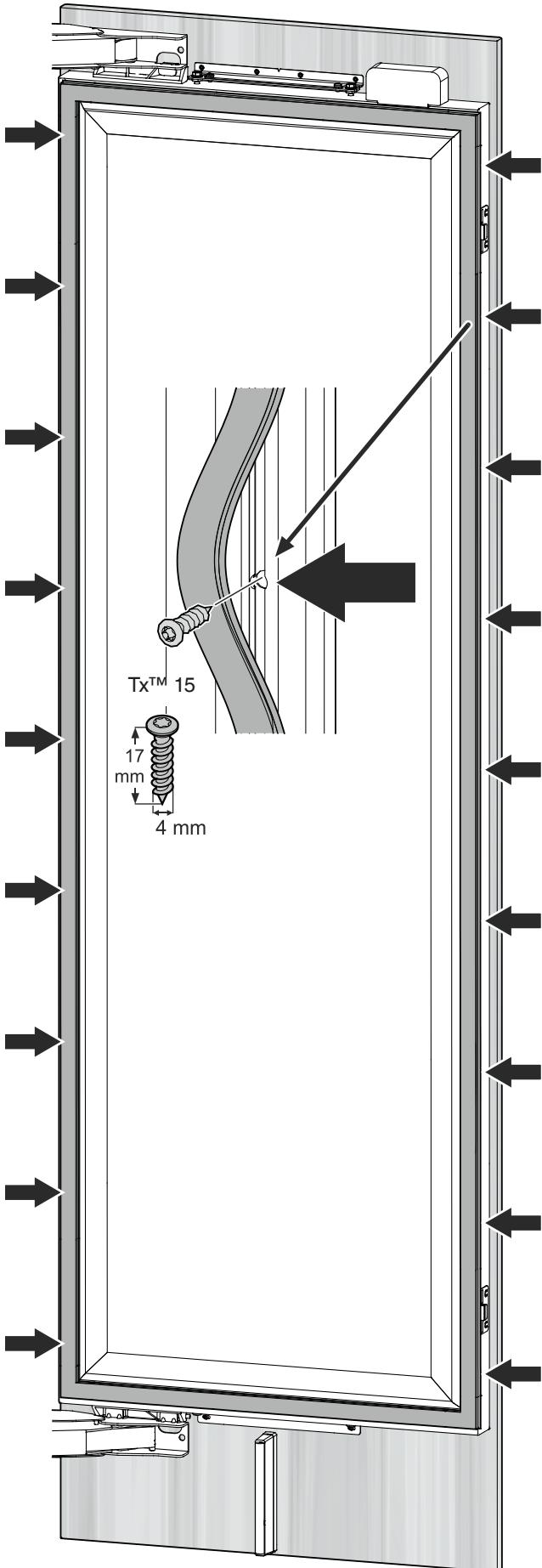
Secure the panel through the bottom attachment bracket with two 4 x 14 screws.



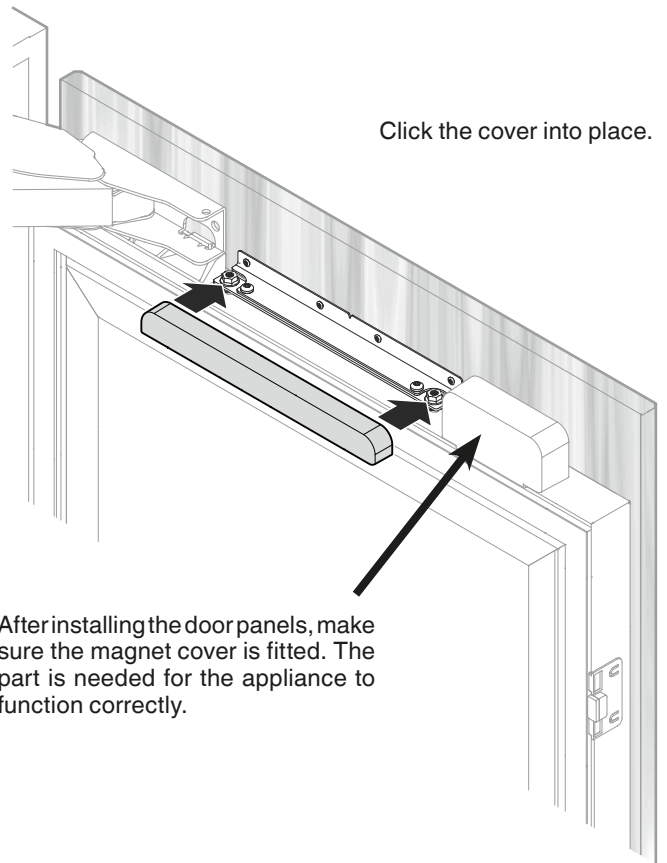


**IMPORTANT**

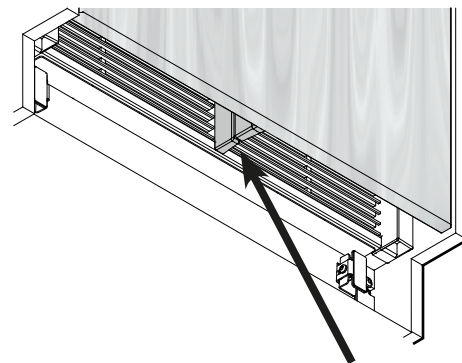
For installation, only pull out the magnetic gasket at one of the marked screw positions (there are 9 on each side 200 mm apart). Never remove the magnetic gasket in full.



Click the cover into place.



After installing the door panels, make sure the magnet cover is fitted. The part is needed for the appliance to function correctly.

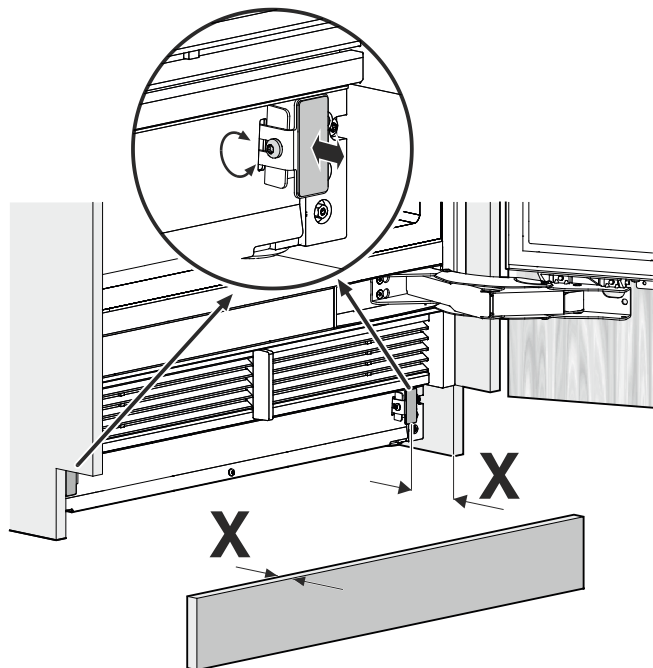


Check that there is no gap between the appliance air divider and the door air divider.

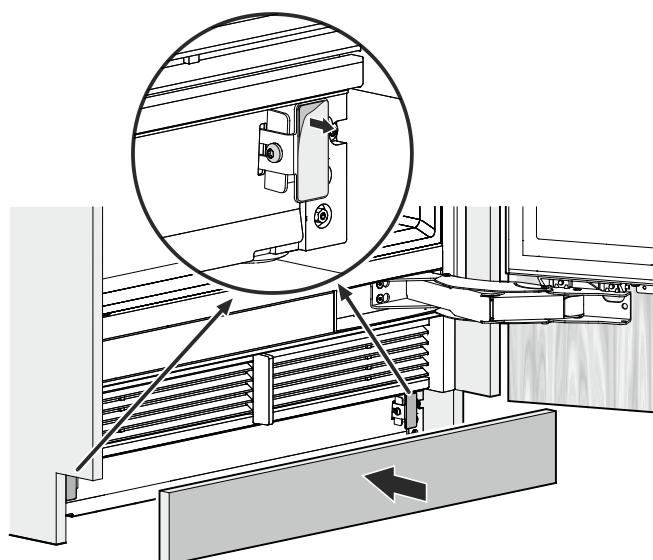
**IMPORTANT**

There will be a gap if the ventilation grille is fitted incorrectly.

Adjust the brackets to the thickness of the plinth panel.



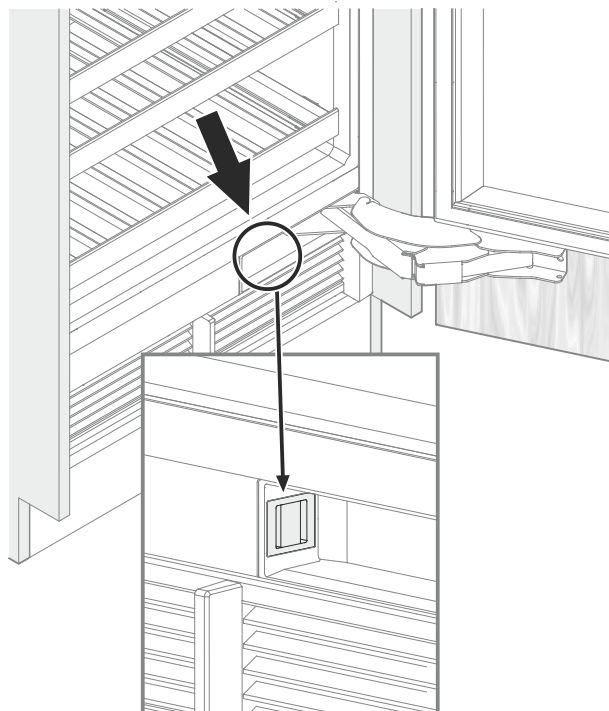
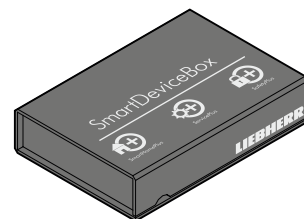
Remove the backing foil and affix the plinth panel.



## SmartDeviceBox (not supplied in all countries)

Download the "SmartDevice" app to your mobile device.

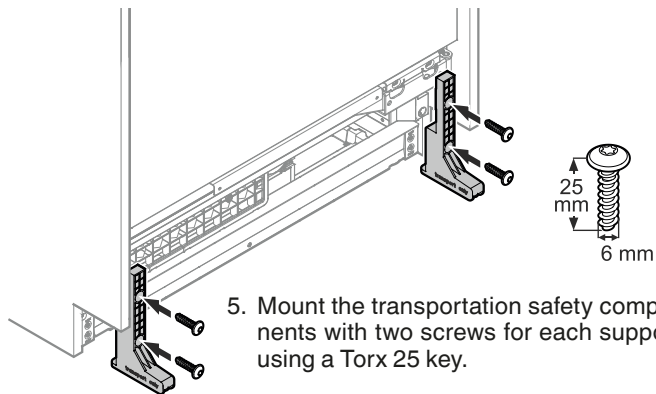
Start the app on your mobile device and follow the instructions.



## Please note in case of removing appliance from the recess

If the appliance has to be removed from the recess again, please make sure you take account of the following:

1. Empty the appliance.
2. Disconnect the appliance from the mains.
3. Remove the door panel.
4. Lower the appliance using the height adjustment unit.



5. Mount the transportation safety components with two screws for each support using a Torx 25 key.



**DANGER!**

**Risk of death or serious injury due to the appliance tipping over.**

**Do not remove the appliance without the mounted transportation safety components.**

## Important note for changing over door hinges or limiting the door opening angle to 90°

Changing the door hinges or limiting the door opening angle to 90° should only be carried out by a trained expert.

The door hinges are fitted with strong closing springs. If the hinge accidentally snaps shut, this can lead to serious injury.

The door itself is very heavy. Do not try to remove the door yourself.

Contact the Liebherr customer service department for more information. See contact details on the back of this manual.



**Liebherr Hausgeräte Lienz GmbH**  
Dr.-Hans-Liebherr-Strasse 1  
A-9900 Lienz  
Österreich  
[www.liebherr.com](http://www.liebherr.com)

