



User Guide

Quality, Design and Innovation



[home.liebherr.com/fridge-manuals](http://home.liebherr.com/fridge-manuals)





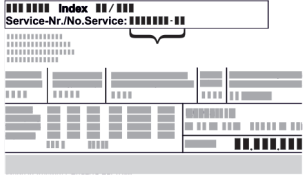




# LIEBHERR

# Contents

|          |  |           |
|----------|--|-----------|
| <b>1</b> | <b>Appliance at a glance.....</b>                  | <b>3</b>  |
| 1.1      | Scope of supply.....                               | 3         |
| 1.2      | Overview of appliance and equipment.....           | 3         |
| 1.3      | Special features.....                              | 3         |
| 1.4      | Range of use of appliance.....                     | 3         |
| 1.5      | Appliance noise emissions.....                     | 4         |
| 1.6      | Conformity.....                                    | 4         |
| 1.7      | SVHC substances according to REACH regulation..... | 4         |
| 1.8      | EPREL database.....                                | 4         |
| <b>2</b> | <b>General safety instructions.....</b>            | <b>4</b>  |
| <b>3</b> | <b>Functionality of the Touch display.....</b>     | <b>6</b>  |
| 3.1      | Navigation and symbol explanation.....             | 6         |
| 3.2      | Menus.....   | 6         |
| 3.3      | Sleep mode.....                                    | 7         |
| <b>4</b> | <b>Putting into operation.....</b>                 | <b>7</b>  |
| 4.1      | Installation conditions.....                       | 7         |
| 4.2      | Appliance dimensions.....                          | 8         |
| 4.3      | Transporting appliance.....                        | 8         |
| 4.4      | Unpacking appliance.....                           | 8         |
| 4.5      | Installing door handle.....                        | 8         |
| 4.6      | Installing appliance.....                          | 8         |
| 4.7      | Setting up the appliance so it is level.....       | 9         |
| 4.8      | Installing multiple appliances.....                | 9         |
| 4.9      | After installation.....                            | 9         |
| 4.10     | Disposing of packaging.....                        | 9         |
| 4.11     | Reversing the door opening direction.....          | 9         |
| 4.12     | Aligning the door.....                             | 20        |
| 4.13     | Connecting the appliance to the power supply.....  | 20        |
| 4.14     | Switching on appliance (first use).....            | 21        |
| <b>5</b> | <b>Storage.....</b>                                | <b>21</b> |
| 5.1      | Information regarding storage.....                 | 21        |
| 5.2      | Storage times.....                                 | 22        |
| <b>6</b> | <b>Controls.....</b>                               | <b>22</b> |
| 6.1      | Control and display elements.....                  | 22        |
| 6.1.1    | Status display.....                                | 22        |
| 6.1.2    | Display symbols.....                               | 22        |
| 6.1.3    | Acoustic signals.....                              | 22        |
| 6.2      | Appliance functions.....                           | 23        |
| 6.2.1    | Notes on the appliance functions.....              | 23        |
| 6.2.2    | Switching appliance on and off.....                | 23        |
| 6.2.3    | Switching temperature zone off and on.....         | 23        |
| 6.2.4    | Temperature.....                                   | 24        |
| 6.2.5    | Temperature recording.....                         | 24        |
| 6.2.6    | Lighting.....                                      | 25        |
| 6.2.7    | Lighting intensity.....                            | 26        |
| 6.2.8    | SuperCool.....                                     | 26        |
| 6.2.9    | SuperFrost.....                                    | 27        |
| 6.2.10   | HumiditySelect.....                                | 27        |
| 6.2.11   | Display lock.....                                  | 28        |
| 6.2.12   | Maintenance interval reminder.....                 | 28        |
| 6.2.13   | Language.....                                      | 28        |
| 6.2.14   | Temperature unit.....                              | 29        |
| 6.2.15   | Display brightness.....                            | 29        |
| 6.2.16   | WiFi connection.....                               | 29        |
| 6.2.17   | LAN connection.....                                | 30        |
| 6.2.18   | Device information.....                            | 31        |
| 6.2.19   | Operating hours.....                               | 31        |
| 6.2.20   | Software.....                                      | 31        |
| 6.2.21   | Defrosting.....                                    | 32        |
| 6.2.22   | Door alarm.....                                    | 32        |
| 6.2.23   | Light alarm *.....                                 | 32        |
| 6.2.24   | Demo mode.....                                     | 33        |
| 6.2.25   | Resetting to factory settings.....                 | 33        |
| 6.3      | Messages.....                                      | 33        |
| 6.3.1    | Warnings.....                                      | 33        |
| 6.3.2    | Reminder.....                                      | 35        |
| <b>7</b> | <b>Features.....</b>                               | <b>35</b> |
| 7.1      | Safety lock.....                                   | 35        |

|           |   |           |
|-----------|---|-----------|
| <b>8</b>  | <b>Maintenance.....</b>   | <b>36</b> |
| 8.1       | Defrosting appliance.....   | 36        |
| 8.2       | Cleaning the appliance.....   | 36        |
| <b>9</b>  | <b>Customer help.....</b>   | <b>37</b> |
| 9.1       | Technical specifications.....   | 37        |
| 9.2       | Technical fault.....  | 37        |
| 9.3       | Customer Service.....   | 38        |
| 9.4       | Type plate.....   | 38        |
| <b>10</b> | <b>Shutting down.....</b>   | <b>38</b> |
| <b>11</b> | <b>Disposal.....</b>  | <b>39</b> |
| 11.1      | Preparing appliance for disposal.....                                 | 39        |
| 11.2      | Disposing of the appliance in an environmentally friendly manner..... | 39        |
| <b>12</b> | <b>Additional information.....</b>                                    | <b>39</b> |

The manufacturer is continually working on the further development of all types and models. Please be aware that we reserve the right to make changes to the shape, equipment and technology.

| Symbol  | Explanation   |
|---|---|
|    | <b>Read instructions</b><br>Please read the information in these instructions carefully to understand all of the benefits of your new appliance.  |
|   | <b>Additional information on the Internet</b><br>The digital manual with additional information and in other languages can be found via the QR code on the front of the manual or by entering the service number at <a href="http://home.liebherr.com/fridge-manuals">home.liebherr.com/fridge-manuals</a> .<br>The service number can be found on the serial tag:<br><br><i>Fig. Example illustration</i> |
|  | <b>Check appliance</b><br>Check all parts for transport damage. If you have any complaints, please contact your agent or customer service.  |
|  | <b>Differences</b><br>These instructions apply to a range of models, so differences are possible. Sections that apply to certain models only are marked with an asterisk (*).   |
|  | <b>Instructions and results</b><br>Instructions are marked with a ▶.<br>Results are marked with a ▷.  |
|  | <b>Videos</b><br>Videos about the appliances are available on the YouTube channels of Liebherr-Hausgeräte.  |

### Open source licences:

The appliance contains software components that use open source licences. Information on the open source licences used can be found here: [home.liebherr.com/open-source-licences](http://home.liebherr.com/open-source-licences)

These operating instructions apply to:

- FCFCvg 4002
- FCFCvg 4032
- FCFvg 4002

## 1 Appliance at a glance

### 1.1 Scope of supply

Check all parts for transport damage. If you have any complaints, please contact your dealer or Customer Service. (see 9.3 Customer Service)

The delivery comprises the following parts:

- Free-standing appliance
- Equipment \*
- Installation materials \*
- Operating instructions
- Service brochure
- Quality certificate \*
- Mains cable

### 1.2 Overview of appliance and equipment

FCFCvg 4002  
FCFvg 4002

FCFCvg 4032

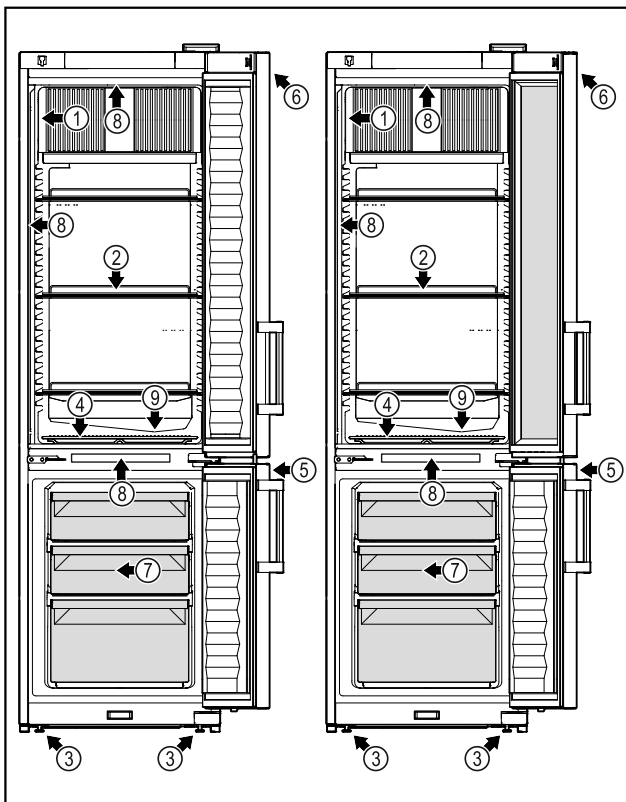


Fig. 1 Example illustration

- |                    |  |
|--------------------|--|
| (1) Type plate     | (6) Control elements and temperature display |
| (2) Grid shelves   | (7) Freezer compartment                      |
| (3) Adjusting feet | (8) Interior lighting                        |
| (4) Floor grating  | (9) Defrost drain                            |
| (5) Lock           |  |

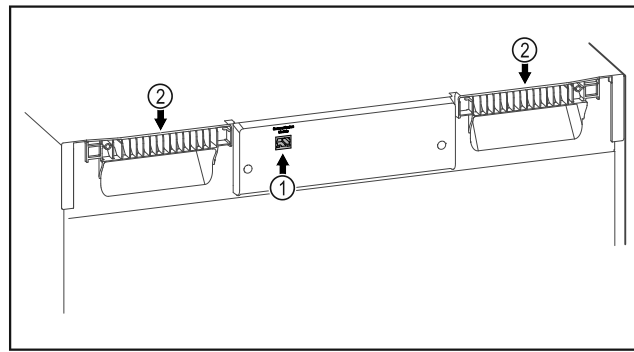


Fig. 2 Example illustration

- (1) LAN interface                      (2) Carrying aid

### 1.3 Special features

#### Note

Accessories are available from Customer Service (see 9.3 Customer Service) and the Liebherr-Hausgeräte store at [home.liebherr.com/shop/de/deu/zubehor.html](http://home.liebherr.com/shop/de/deu/zubehor.html).

#### SmartModule

The appliance can be fitted with a SmartModule.

This is a WiFi and LAN interface for the connection between the appliance and an external documentation and alarm system such as Liebherr SmartMonitoring.

Liebherr SmartMonitoring Dashboard is not available in all countries. Check availability via the QR code (see 6.2.16 WiFi connection ) by entering your model.

### 1.4 Range of use of appliance

#### Intended use

This refrigerator/freezer is appropriate for the professional storage of chilled/frozen foodstuffs. This appliance is not intended for the presentation or removal of foodstuffs by customers.

The appliance is only designed for use in closed rooms.

All other types of use are not permitted.

#### Foreseeable incorrect use

The following uses are expressly forbidden:

- Storage and refrigeration of:
  - Chemically unstable flammable or corrosive substances
  - Medicines, blood plasma, laboratory preparations or similar substances and products based on the Medical Device Directive 2007/47/EC
- Use in potentially explosive atmospheres
- Use outdoors or in areas exposed to dampness and splashing water
- Use in residential areas because adequate protection of radio reception cannot be ensured in such environments.\*

Improper use of the appliance will result in goods stored being damaged or spoiled.

# General safety instructions

## Climate classes

The applicable climate class for your appliance is printed on the type plate.

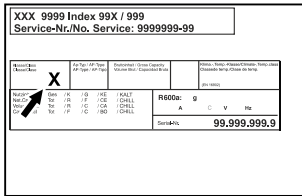


Fig. 3 Type plate

**(X)** The climate class states the ambient conditions in which the appliance can be operated safely.

| Climate class (X) | Max. room temperature | Max. rel. humidity |
|-------------------|-----------------------|--------------------|
| 3                 | +25 °C                | 60 %               |
| 4                 | +30 °C                | 55 %               |
| 5                 | +40 °C                | 40 %               |
| 7                 | +35 °C                | 75 %               |

### Note

The minimum permitted room temperature at the setup location is +10 °C.

At limit conditions, slight condensation may form on the glass door (depending on the equipment) and on the side walls.

| Recommended temperature setting: |                     |
|----------------------------------|---------------------|
| Temperature class (Z)            | Temperature setting |
| L1                               | -18 °C              |
| M1                               | +5 °C               |

## 1.5 Appliance noise emissions

The A-weighted emission sound pressure level during operation of the appliance is under 70 dB(A) (sound power rel. 1 pW).

## 1.6 Conformity

The coolant circuit has been tested for leak-tightness. The appliance complies with the relevant safety regulations.

| EU Declaration of Conformity  |   |
|---|---|
| Manufacturer/Exhibitor:   | LIEBHERR-HAUSGERÄTE<br>LIENZ GMBH           |
| Address:  | A-9900 Lienz, Dr. Hans<br>Liebherr Straße 1 |
| The designated product complies with the provisions of the following European directives and regulations:   |   |
| (EU) 2019/2020, (EU) 2015/1095, (EU) 2015/1094,<br>(EU) 2017/1369, 2006/42/EC, 2014/30/EU, 2009/125/EC,<br>2011/65/EU                             |   |
| The full text of the EU Declaration of Conformity is available at the following web address: <a href="http://www.liebherr.de">www.liebherr.de</a> |   |

## 1.7 SVHC substances according to REACH regulation

You can check whether your appliance contains SVHC substances according to REACH regulation at the following link: [home.liebherr.com/de/deu/de/liebherr-erleben/nachhaltigkeit/umwelt/scip/scip.html](http://home.liebherr.com/de/deu/de/liebherr-erleben/nachhaltigkeit/umwelt/scip/scip.html)

## 1.8 EPREL database

Details about the labelling of energy consumption and ecodesign requirements will be available on the European Product Database (EPREL) from 1 March 2021. You can access the product database at the following link: <https://eprel.ec.europa.eu/>. You will be asked to enter the model identification. The model identification can be found on the type plate.

# 2 General safety instructions

Please keep these operating instructions in a safe place so you can refer back to them at any time.

If you pass the appliance on, please hand these operating instructions to the next user.

Read these operating instructions carefully before use to ensure safe and correct use of the appliance. Follow the instructions, safety instructions and warning messages included at all times. They are important for ensuring you can operate and install the appliance safely and without any problems.

### Danger for the user:

- This device can be used by children aged 8 and above and people with impaired physical, sensory or mental abilities or with a lack of experience and knowledge provided that they are supervised or have received instruction in the safe use of this appliance, and about the resulting hazards. Children must not play with this appliance. Cleaning and user maintenance work must not be carried out by children without adult supervision.
- The socket must be easily accessible so that the appliance can be disconnected quickly from the electricity supply in an emergency. It must not be located in the area behind the appliance.
- When disconnecting the appliance from the supply, always take hold of the plug. Do not pull the cable.
- In the event of a fault pull out the mains plug or deactivate the fuse.
- **WARNING:** Do not damage the mains power cable. Do not operate the appliance with a defective mains power cable.
- **WARNING:** Multiple sockets/distributors and other electronic equipment (such as

halogen transformers) must not be placed or operated at the rear of the appliance.

- **WARNING:** Keep ventilation openings, in the appliance enclosure or in the built-in structure, clear of obstruction.
- Only customer service or other specially trained staff may repair or perform other operations on the appliance.
- Only assemble, connect and dispose of the appliance according to the instructions.

## Fire hazard

- The coolant used (information on the model plate) is ecofriendly but also flammable. Any leaking coolant may ignite.
  - **WARNING:** Do not damage refrigeration circuit.
  - Do not handle ignition sources inside the appliance.
  - **WARNING:** Do not use electrical appliances in the fridge compartment which do not comply with the design recommended by the manufacturer.
  - If the refrigerant leaks: remove any naked flames or ignition sources from the vicinity of the leakage point. Properly air the room. Inform customer services.
- Do not operate the appliance close to explosive gases.
- Do not store or use petrol or other flammable gases and liquids close to the appliance.
- Do not store any explosive substances, such as aerosol containers with flammable propellant gas, in the appliance. To identify these spray cans, look for the list of contents printed on the can, or a flame symbol. Gases possibly escaping may ignite due to electrical components.
- Keep burning candles, lamps and other items with naked flames away from the appliance so that they do not set the appliance on fire.
- Please be sure to store alcoholic drinks or other packaging containing alcohol in tightly closed containers. Any alcohol that leaks out may be ignited by electrical components.

## Danger of tipping and falling:

- Do not misuse the plinth, drawers, doors etc. as a step or for support.

## Danger of frostbite, numbness and pain:

- Avoid prolonged skin contact with cold surfaces or refrigerated/frozen goods or take protective measures, e.g. wear gloves.

## Danger of injury and damage:

- **WARNING:** Do not use mechanical equipment or other methods to speed up the defrosting process other than those recommended by the manufacturer.
- **WARNING:** Risk of injury due to electric shock! There are live electrical parts under the cover.  
Only have the LED interior lighting replaced or repaired by customer service or other suitably trained professionals.
- **NOTICE:** Appliance must only be used using original manufacturer accessories or using accessories from other providers approved by the manufacturer. The user bears the risk of using accessories which are not approved.

## Risk of crushing

- Do not hold the hinge when opening and closing the door. Fingers may get caught.

## Specialist personnel qualifications:

Specialist personnel are persons who, on account of their specialist training, knowledge and experience as well as their knowledge of the relevant standards, are able to assess and perform the work assigned to them and identify potential hazards. They must have training, instruction, and authorisation to work on the appliance.

## Symbols on the appliance:



This symbol may be located on the compressor. It relates to the oil in the compressor and makes reference to the risk that: **Swallowing or inhaling can be fatal.** This advice is only relevant to recycling. There is no danger in normal operation.



**WARNING:** Danger of fire / flammable materials. This symbol is located on the compressor and indicates the danger of flammable materials. Do not remove the sticker.






This or a similar sticker may be located on the rear of the appliance. This sticker indicates that there are vacuum insulation panels (VIP) or perlite panels in the door and/or housing. This advice is only relevant to recycling. Do not remove the sticker.



**WARNING: Cold surface!** Only touch with suitable hand protection. This or similar sticker may be on the appliance and indicates the danger of frostbite.

**Please note the warning messages and other specific advice in the other chapters:**

# Functionality of the Touch display




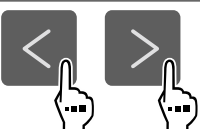


|   |                |   |
|---|----------------|---|
|  | <b>DANGER</b>  | Indicates an immediately hazardous situation which will lead to death or serious injuries if it is not avoided. |
|  | <b>WARNING</b> | Indicates a hazardous situation which will lead to death or serious injuries if it is not avoided.              |
|  | <b>CAUTION</b> | Indicates a hazardous situation which will lead to minor or moderate injuries if it is not avoided.             |
|   | <b>NOTICE</b>  | Indicates a hazardous situation which may lead to damage to property if it is not avoided.                      |
|   | <b>Note</b>    | Indicates useful instructions and tips.   |




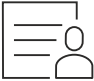
## 3 Functionality of the Touch display

You operate your appliance using the Touch display. You select appliance functions in the Touch display (hereafter referred to as display) by tapping them. If you do not perform any action on the display for 10 seconds, the display either jumps back to the higher-level menu or directly to the status display.

### 3.1 Navigation and symbol explanation

In the illustrations, different symbols are used to navigate the display. The following table describes these symbols.

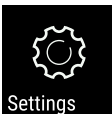

| Symbol  | Description  |
|---|--|
|  | <b>Press the Next navigation arrow:</b><br>Navigates to the next option in the menu.   |
|  | <b>Press the Back navigation arrow:</b><br>Jumps back one option in the menu.  |
|  | <b>Press and hold the Back navigation arrow for 3 seconds:</b><br>Jumps back to the status display in the main menu or from the Settings menu. |
|  | <b>Press the navigation arrow several times in succession:</b><br>Navigates in the menu to the desired function.                               |
|  | <b>Press the Confirm symbol:</b><br>Activates/deactivates function.<br>Opens submenu.  |
|  | <b>Press the Confirm symbol together with the back icon:</b><br>Jumps back one menu level.   |

| Symbol   | Description   |
|--|---|
|   | <b>Arrow with clock:</b><br>It takes more than 10 seconds for the following message to appear in the display.   |
|  | <b>Arrow with a time indication:</b><br>It takes the specified amount of time until the following message appears in the display.   |
|   | <b>“Open Settings menu” symbol:</b><br>Navigates to the Settings menu and opens the settings menu.<br>If necessary: Navigate to the desired function in the Settings menu.<br>(see 3.2.1 Opening the Settings menu) |
|   | <b>“Open Advanced menu” symbol:</b><br>Navigates to the Advanced menu and opens the advanced menu.<br>If necessary: Navigate to the desired function in the Advanced menu.<br>(see 3.2.2 Opening the Advanced menu) |
| No action for 10 seconds   | If you do not perform any action on the display for 10 seconds, the display either jumps back to the higher-level menu or directly to the status display.   |
| Opening door and closing it again  | If you open the door and immediately close it again, the display jumps directly back to the status display.   |

*Note: Illustrations of the display are shown in the English version.*

### 3.2 Menus

The appliance functions can be found in various menus.

| Menu   | Description  |
|--|--|
| Main menu  | When you switch the appliance on, you are automatically in the main menu.<br>From here you can navigate to the most important appliance functions, to the Settings menu and to the Advanced menu.            |
| <br>Settings menu | The Settings menu contains additional appliance functions for setting up your appliance.<br>(see 3.2.1 Opening the Settings menu)  |
| <br>Advanced menu | The advanced menu contains special appliance functions for setting up your appliance. Access to the Advanced menu is protected by the numerical code <b>1 5 1</b> .<br>(see 3.2.2 Opening the Advanced menu) |

## 3.2.1 Opening the Settings menu

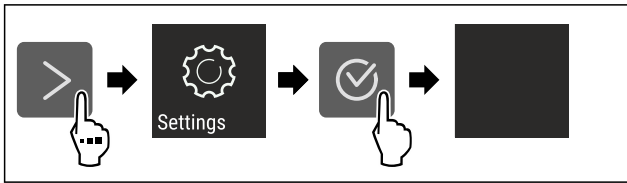


Fig. 4 Example illustration

- ▶ Carry out action steps according to the illustration.
- ▷ Settings menu is open.
- ▶ If necessary: Navigate to the desired function.

## 3.2.2 Opening the Advanced menu

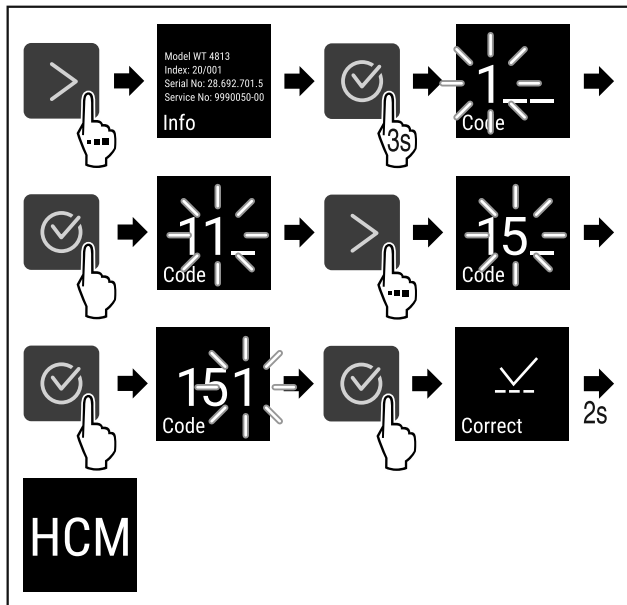


Fig. 5 Access with numerical code 151

- ▶ Carry out action steps according to the illustration.
- ▷ The expanded menu is open.
- ▶ If necessary: Navigate to the desired function.

## 3.3 Sleep mode

If you do not touch the display for 1 minute, the display switches to sleep mode. In sleep mode, the display brightness is dimmed.

### 3.3.1 Ending sleep mode

- ▶ Press any navigation key.
- ▷ Sleep mode is ended.

# 4 Putting into operation

## 4.1 Installation conditions



### WARNING

Fire hazard due to dampness!  
If live parts or the mains lead become damp this may cause short circuits.

- ▶ The appliance is designed for use in enclosed areas. Do not operate the appliance outdoors or in areas where it is exposed to splash water or damp conditions.

## 4.1.1 Installation location



### WARNING

Leaking coolant and oil!

Fire. The coolant contained in the appliance is eco-friendly, but also flammable. The oil contained in the appliance is flammable. Escaping coolant and oil can ignite if the concentration is high enough and in contact with an external heat source.

- ▶ Do not damage the pipelines of the coolant circuit and the compressor.

- Do not install appliance in direct sunlight, next to an oven, radiator or similar.
- The best place for installation is a dry and well ventilated room.
- If the appliance is installed in a very humid environment, condensation can form on the outside of the appliance. Always ensure good airflow and ventilation in the installation location.
- The more refrigerant there is in the appliance, the larger the space it is installed in must be. If the space is too small, any leak may create a flammable mixture of gas and air. For every 8 g of refrigerant, the installation space must be at least 1 m<sup>3</sup>. Information regarding the refrigerant can be found on the type plate inside the appliance.
- The floor of the location must be horizontal and even.
- The installation location must be able to withstand the weight of the appliance plus weight when stocked to maximum level. (see 9.1 Technical specifications)
- Use in hazardous areas is not permitted.

## 4.1.2 Electrical connection



### WARNING

Danger of fire due to incorrect positioning!

If the mains cable or plug touches the back of the appliance, the vibration can damage the mains cable or the plug resulting in a short circuit.

- ▶ Make sure the mains cable is not trapped under the appliance when you position the appliance.
- ▶ Stand the appliance so that it is not touched by connectors or main cables.
- ▶ Do not connect any appliances to sockets in the area of the back of the appliance.
- ▶ Do **not** place and operate multi-sockets/power distributors and other electronic devices (such as halogen transformers) at the back of the appliances.

# Putting into operation

## 4.2 Appliance dimensions

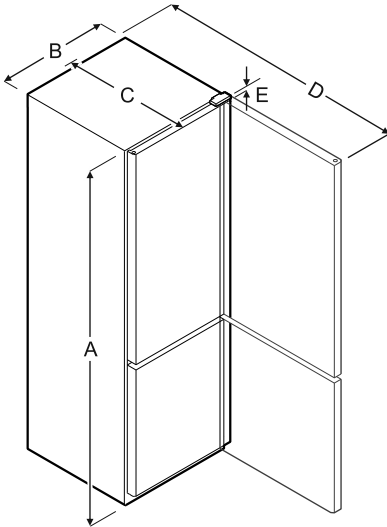


Fig. 6

| Model       | A       | B      | C      | D       | E     |
|-------------|---------|--------|--------|---------|-------|
| FCFCvg 4002 | 2044 mm | 597 mm | 654 mm | 1203 mm | 23 mm |
| FCFCvg 4032 | 2044 mm | 597 mm | 654 mm | 1203 mm | 23 mm |
| FCFvg 4002  | 2044 mm | 597 mm | 654 mm | 1203 mm | 23 mm |

- A = appliance height including feet/castors
- B = appliance width without handle
- C = appliance depth without handle
- D = appliance depth with door open
- E = hinge height

| Model       | Net capacity   |
|-------------|--|
| FCFCvg 4002 | (see 1.2 Overview of appliance and equipment) Type plate |
| FCFCvg 4032 |  |
| FCFvg 4002  |  |

## 4.3 Transporting appliance



### WARNING

Risk of injury due to broken glass!\*  
When transporting at an altitude of more than 1500 m, the glass panes of the door may break. This can result in sharp-edged fragments, which can cause serious injuries.

- ▶ Take appropriate protective action.



### WARNING

Risk of injury and damage due to the appliance tipping over!  
▶ Pay attention to uneven floors and ramps when transporting appliances.

#### Note when transporting the appliance:

- ▶ Transport the appliance upright.
- ▶ Use two people to transport the appliance.

#### During first use:

- ▶ Transport the appliance packaged.

#### When transporting appliances after initial commissioning (e. g. moving or cleaning):

- ▶ Empty the appliance.
- ▶ Secure the door against unintentional opening.

## 4.4 Unpacking appliance

- ▶ Check the appliance and the packaging for damage during transport. Contact the supplier immediately if you suspect any damage. Do not connect appliance to the power supply.
- ▶ Remove all packaging materials from the rear or the side walls of the fridge that may prevent proper installation or prevent air flow and ventilation.

## 4.5 Installing door handle

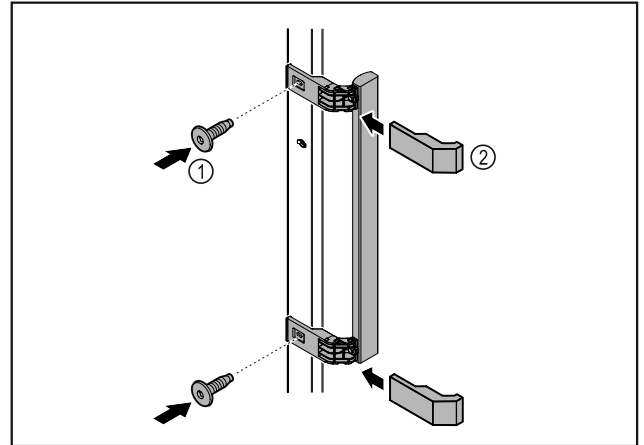


Fig. 7

- ▶ Attach handle from accessory kit to the door using the screws supplied Fig. 7 (1).
- ▶ Put on cover Fig. 7 (2).
- ▶ Insert the plug from the accessory pack on the opposite side.\*

## 4.6 Installing appliance



### CAUTION

Risk of injury and damage.  
▶ Use 2 people to install appliance.



### CAUTION

Risk of injury and damage.  
The door can knock against the wall and become damaged as a result. In the case of glass doors, the damaged glass can cause injuries.

- ▶ Protect the door from knocking against the wall. Attach door stopper, e.g. felt stopper, to the wall.

- ▶ Connect all necessary components (e.g. mains cable) to the back of the appliance and route to the side.

#### Note

Cables can be damaged.  
▶ Do not jam the cable when pushing the appliance back.



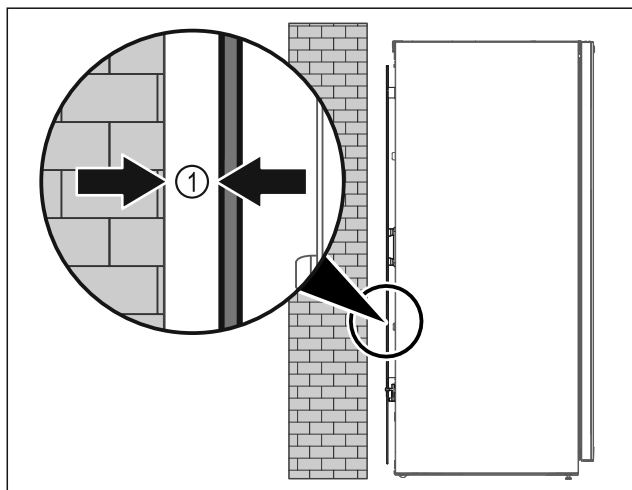


Fig. 8

- ▶ Set up the appliance either free-standing or directly against a wall at a minimum distance of 5 mm Fig. 8 (1).

## 4.7 Setting up the appliance so it is level

### NOTICE

Appliance body is deformed and door does not close.

- ▶ Align appliance horizontally and vertically.
- ▶ Compensate for uneven floors using adjustable feet.



### WARNING

Incorrect height adjustment of the adjustable foot! Can cause severe or even fatal injury. Incorrect height adjustment can cause the bottom part of the adjustable foot to come loose and the appliance to tip over.

- ▶ Do not unscrew the adjustable foot too far.

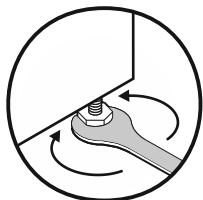


Fig. 9

### Raising appliance:

- ▶ Turn adjustable foot clockwise.

### Lowering appliance:

- ▶ Turn adjustable foot anticlockwise.

## 4.8 Installing multiple appliances

### NOTICE

Risk of damage due to condensation between the side walls.

- ▶ Do not install the appliance directly next to another fridge.
- ▶ Install appliances with a space 3 cm between appliances.
- ▶ Only install multiple appliances up to temperatures of 35 °C and 65% humidity next to one another.
- ▶ At higher levels of humidity, increase space between appliances.

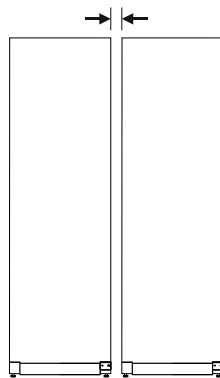


Fig. 10 Side-by-side installation

### Note

A side-by-side kit is available as an accessory via Liebherr Customer Service. (see 9.3 Customer Service)

## 4.9 After installation

- ▶ Peel off the protective films. \*
- ▶ Clean appliance. (see 8.2 Cleaning the appliance)
- ▶ If necessary: Disinfect the appliance.
- ▶ Keep the invoice so you have the appliance and dealer information available if needed.

## 4.10 Disposing of packaging



### WARNING

Danger of suffocation due to packing material and plastic film!

- ▶ Do not allow children to play with packing material.

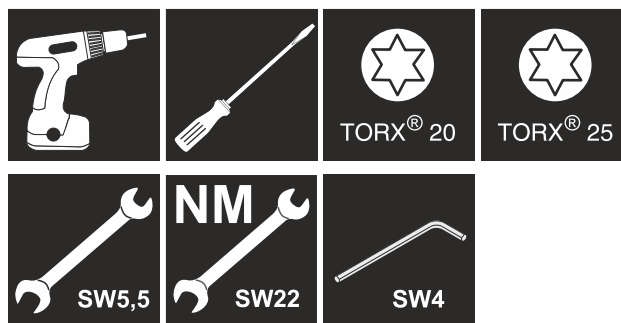
The packaging is made of recyclable materials:

- corrugated board/cardboard
- expanded polystyrene parts
- polythene bags and sheets
- polypropylene straps
- nailed wooden frame with polyethylene panel\*

- ▶ Take the packaging material to an official collecting point.

## 4.11 Reversing the door opening direction

### Tools



### WARNING

Risk of injury if the door is not reversed correctly!

- ▶ Replace the door hinge with specialist personnel.

# Putting into operation



## WARNING

Risk of injury and material damage due to heavy door!

- ▶ Only perform the conversion if you can carry a weight of 25 kg.
- ▶ Always have someone help you carry out the conversion.

## NOTICE

Live parts!

Damage to electrical components.

- ▶ Remove the mains plug before you reverse the door.

- ▶ Open the door.

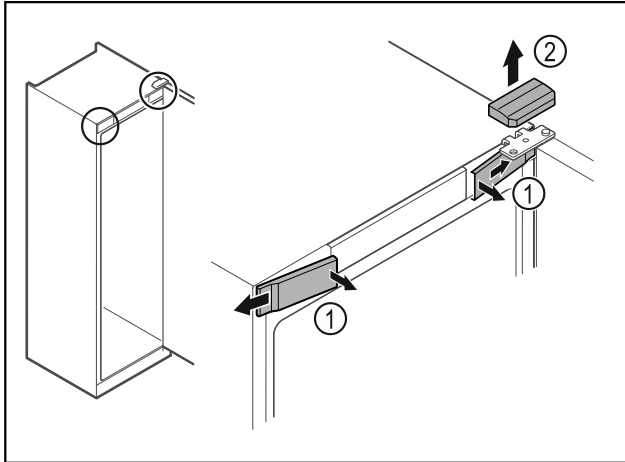


Fig. 11

- ▶ Unlatch the front covers Fig. 11 (1) on the inside and remove them sideways.
- ▶ Lift off the upper cover Fig. 11 (2).

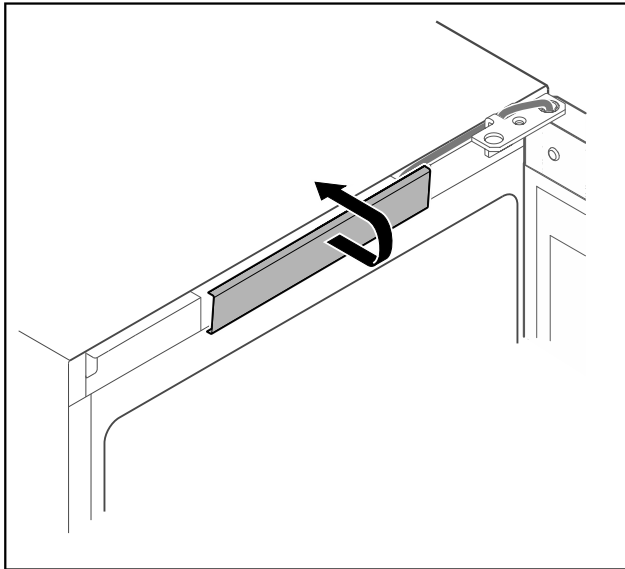


Fig. 12

- ▶ Unlatch the middle cover and remove it.

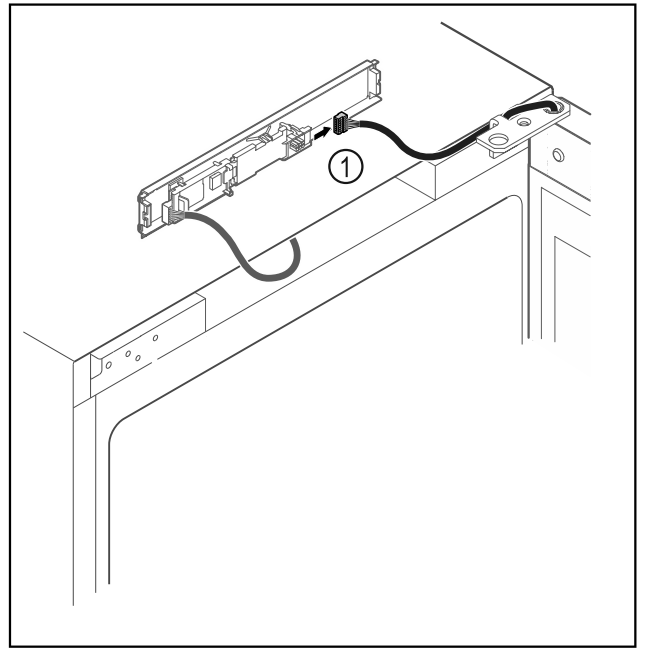


Fig. 13

- ▶ Disconnect the plug Fig. 13 (1) from the circuit board.

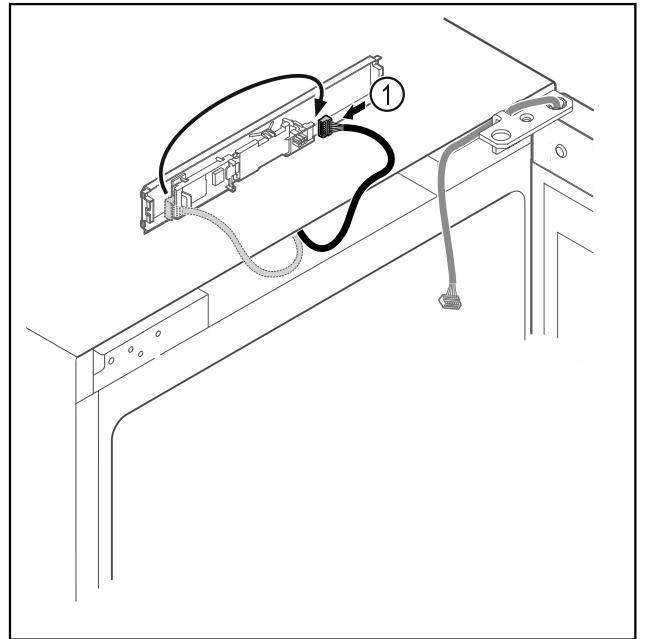


Fig. 14

- ▶ Connect the plug Fig. 14 (1) to the circuit board.

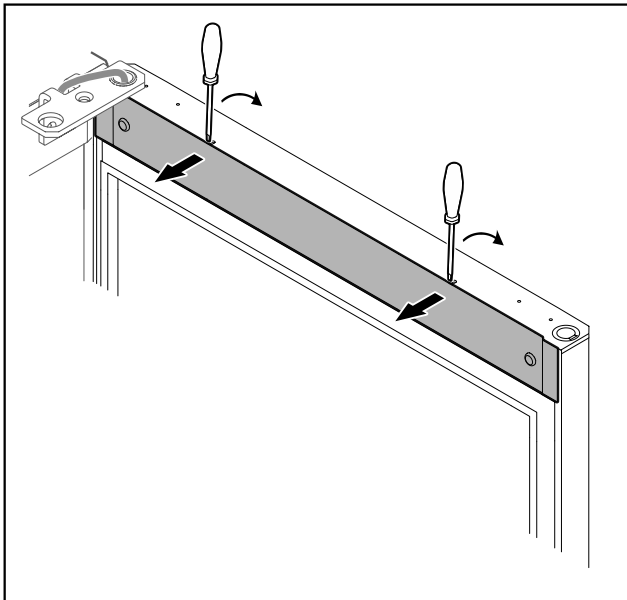


Fig. 15

- Unlatch the cover with a small screwdriver and take it off.

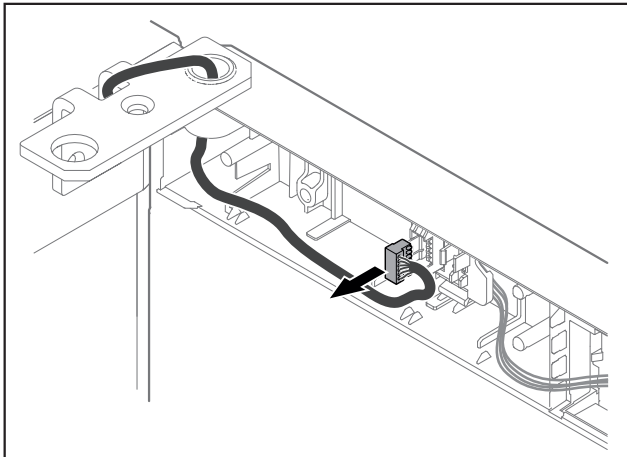


Fig. 16

- Remove the plug from the plug holder.

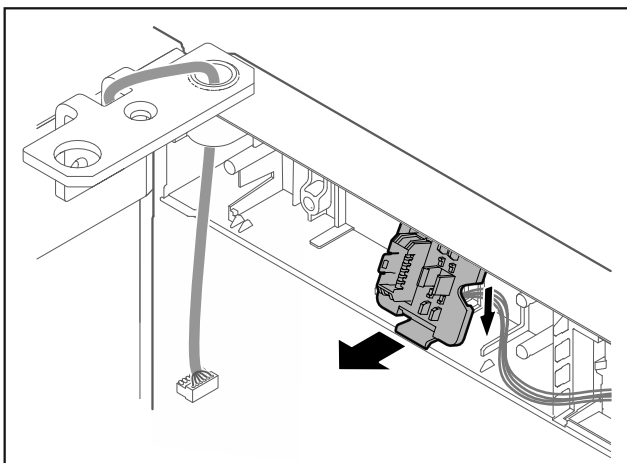


Fig. 17 The installation position of the plug holder can be rotated by 180°.

- Disengage the plug holder.

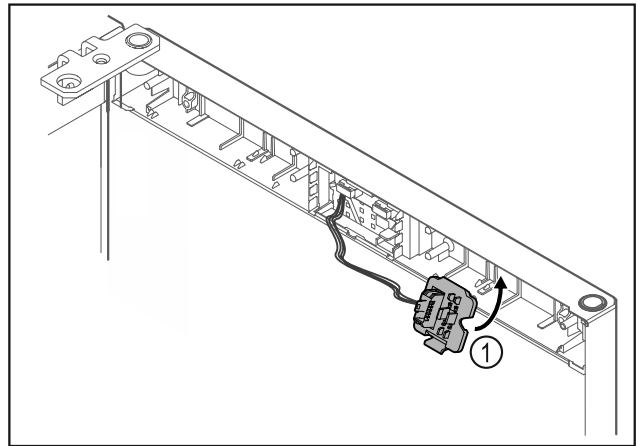


Fig. 18

- Snap in the plug holder Fig. 18 (1) on the opposite side.

### NOTICE

Risk of injury if the door tips out!

- Hold the door.

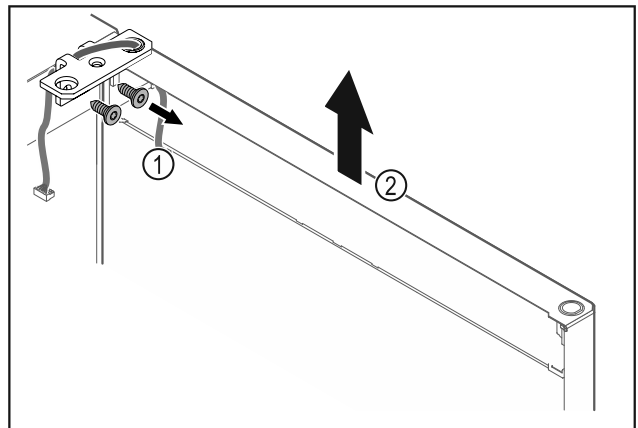


Fig. 19

- Unscrew the hinge Fig. 19 (1).
- Lift the door with the hinge straight up by Fig. 19 (2) roughly 200 mm and take it off.
- Carefully place the door on a soft surface.

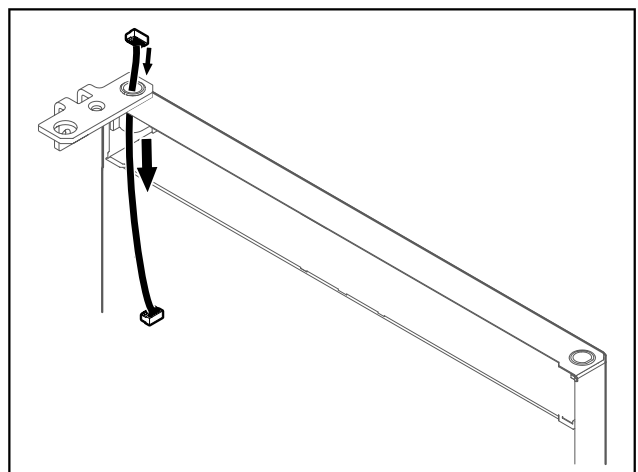


Fig. 20

- Carefully pull out the cable.

# Putting into operation

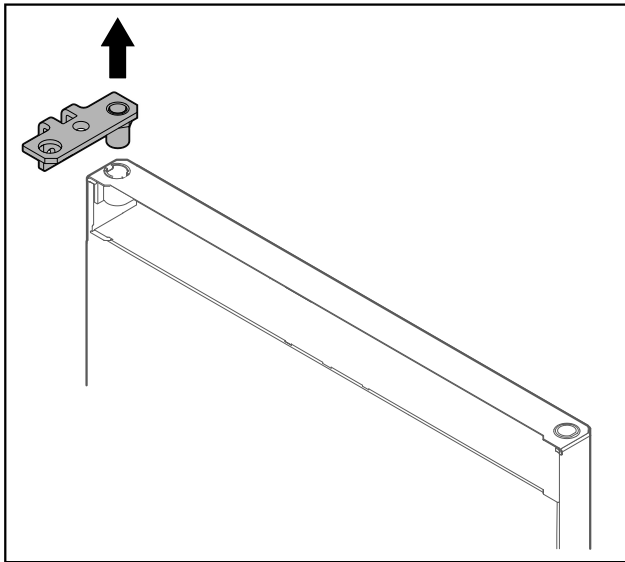


Fig. 21

- Pull out the hinge.

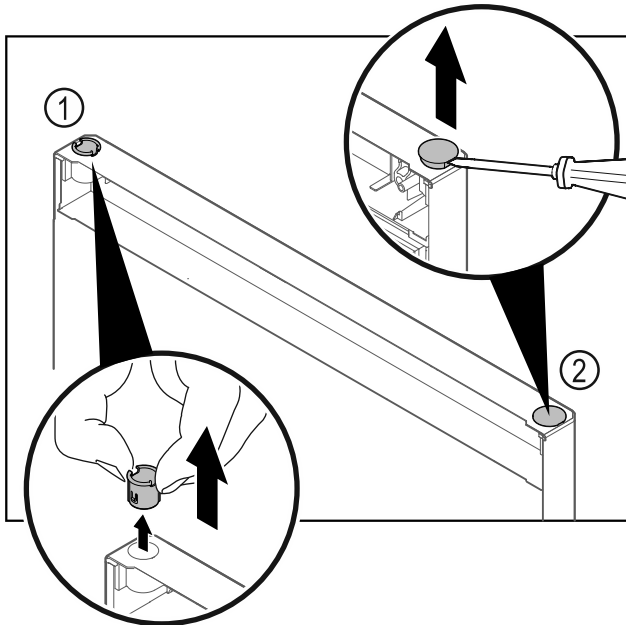


Fig. 22 Fridge compartment door

- Pull out the hinge bushing Fig. 22 (1) with your fingers.
- Carefully lift the cover plug Fig. 22 (2) with a slotted screwdriver and pull it out.

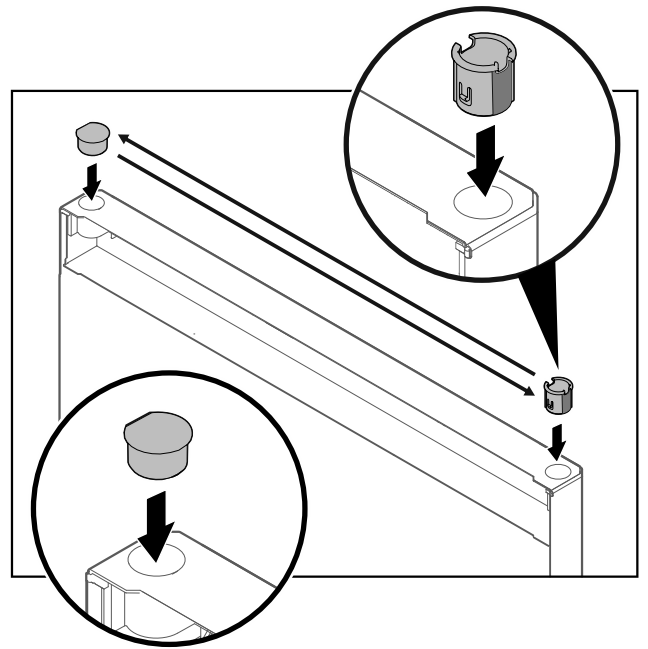


Fig. 23 Fridge compartment door

- Insert hinge bushing and cover plug on the opposite side (the flattened sides face outwards).

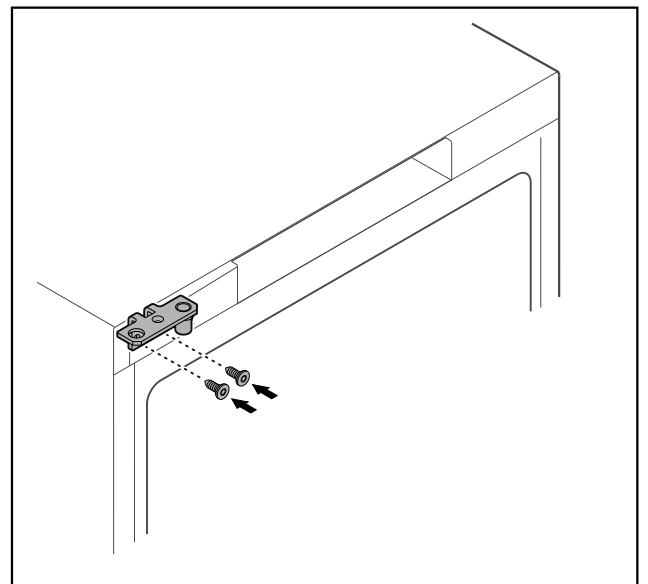


Fig. 24

- Move the hinge to the opposite side.



## WARNING

Risk of injury and material damage if the door tips out!

- Tighten the bearing pins to the specified torque.

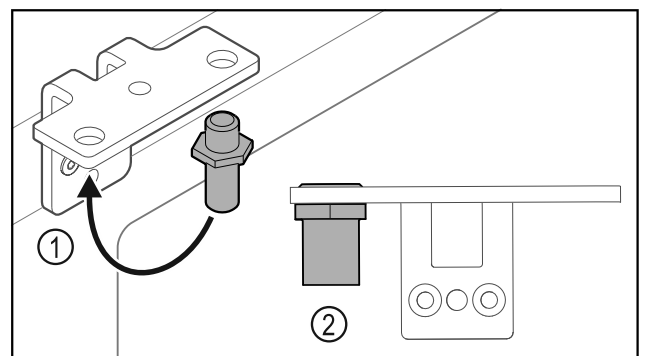


Fig. 25

- ▶ Put the pin back into the hinge Fig. 25 (1).
- ▶ Tighten the pin Fig. 25 (2) to a **torque of 12 Nm**.
- ▶ Unscrew the hinge again.

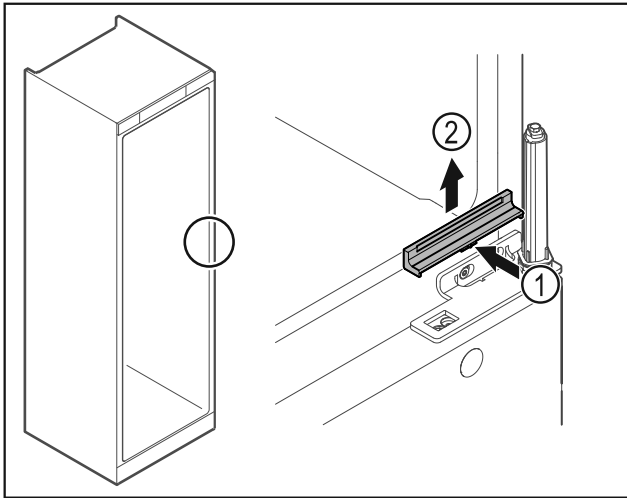


Fig. 26

- ▶ Gently press the middle of the cover Fig. 26 (1) and lift it off Fig. 26 (2).

### NOTICE

Risk of injury due to tensioned spring!

- ▶ Do not disassemble the door closing system Fig. 27 (1).

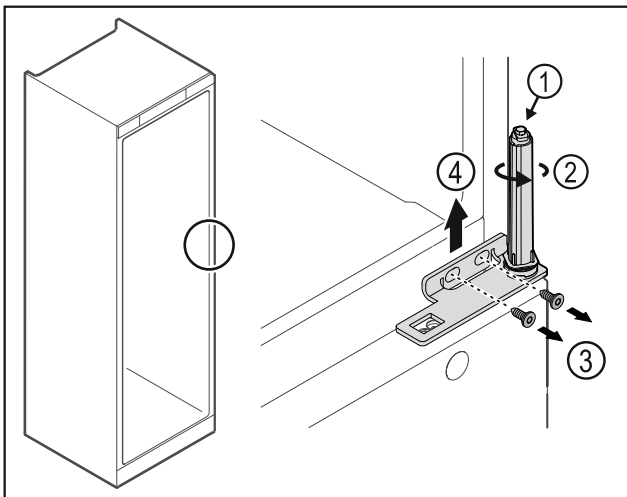


Fig. 27

- ▶ Turn the closing system Fig. 27 (2) until it clicks.
- ▶ The tension of the closing system is released.

### Note

- ▶ Hold the door.
- ▶ Loosen the screws Fig. 27 (3) and lift off the hinge Fig. 27 (4).

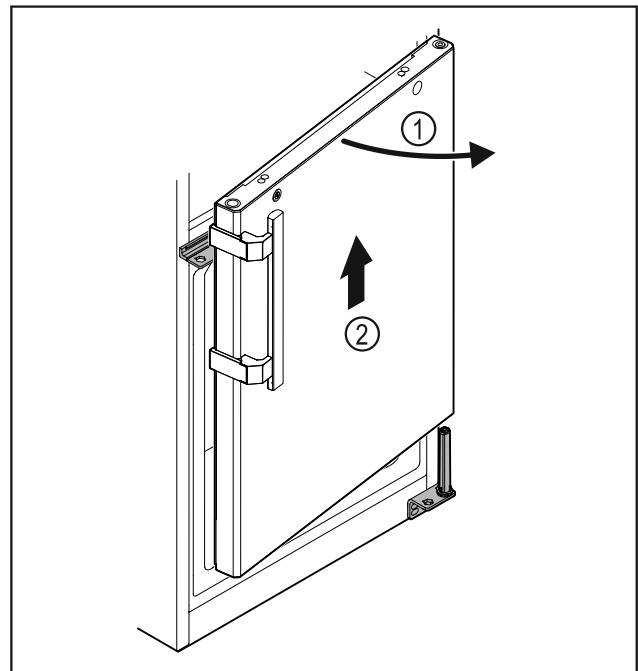


Fig. 28

- ▶ Open the door Fig. 28 (1) slightly, lift it straight up by around 200 mm and take it off Fig. 28 (2).
- ▶ Carefully place the door on a soft surface.

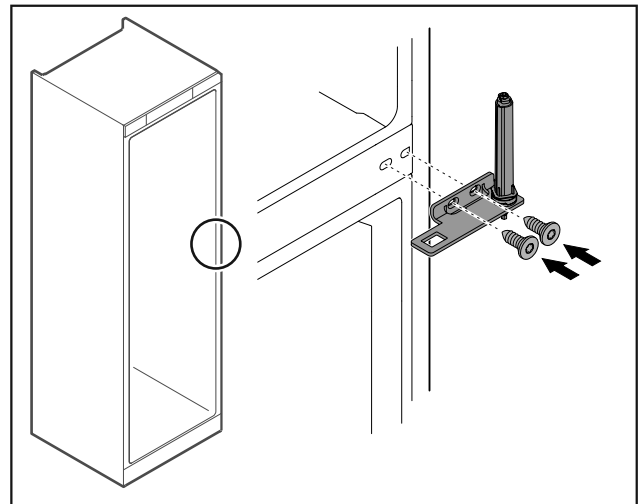


Fig. 29

- ▶ Screw the hinge back on.

### Note

You must move the handle on both doors.

# Putting into operation

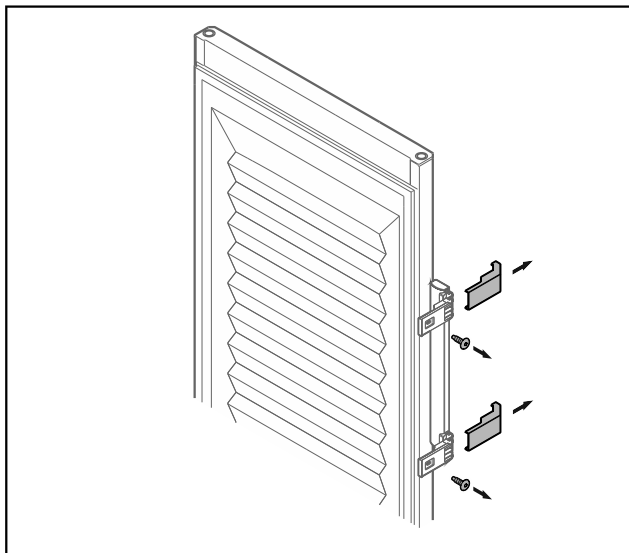


Fig. 30 Insulated door\*

- Fig. 32  
 ► Put the stopper on the opposite side.

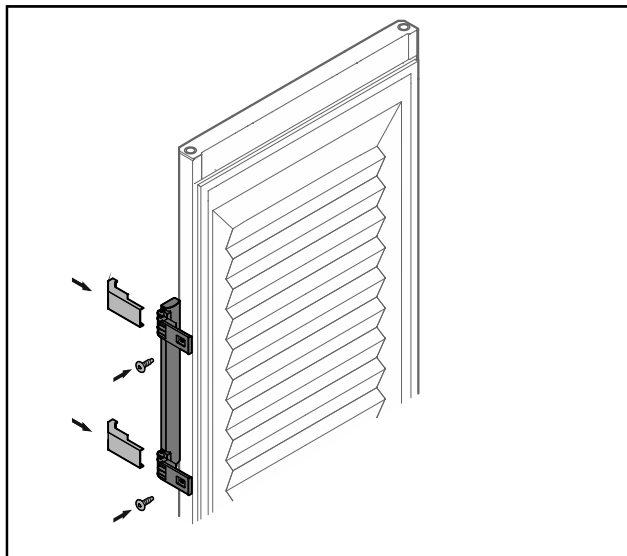


Fig. 33 Insulated door\*

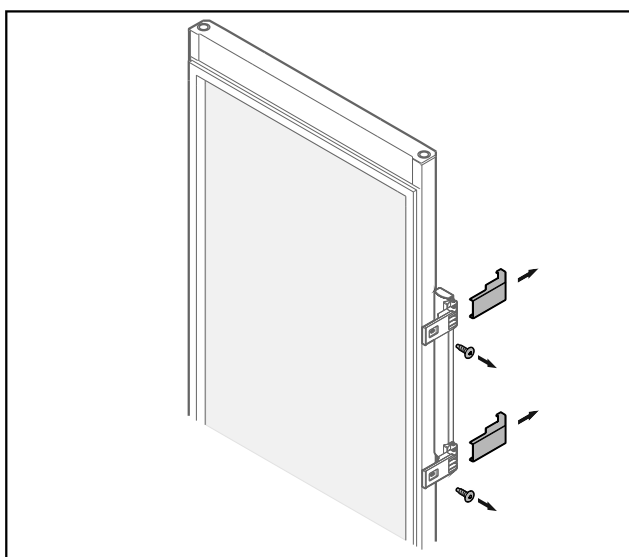


Fig. 31 Glass door\*

- Remove the panels.  
 ► Unscrew the handle.

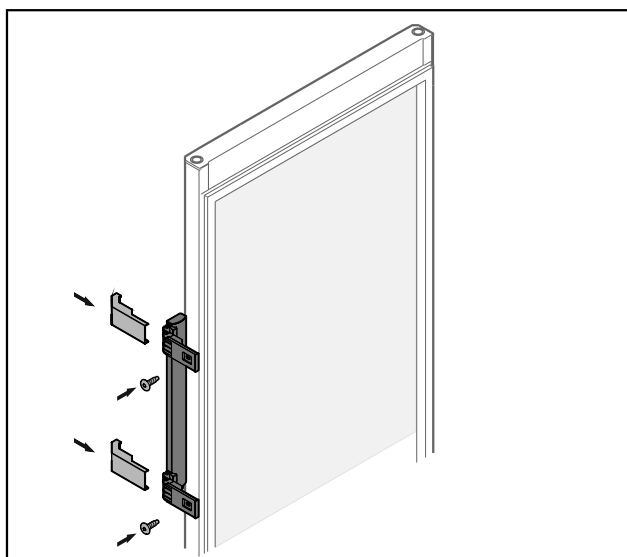
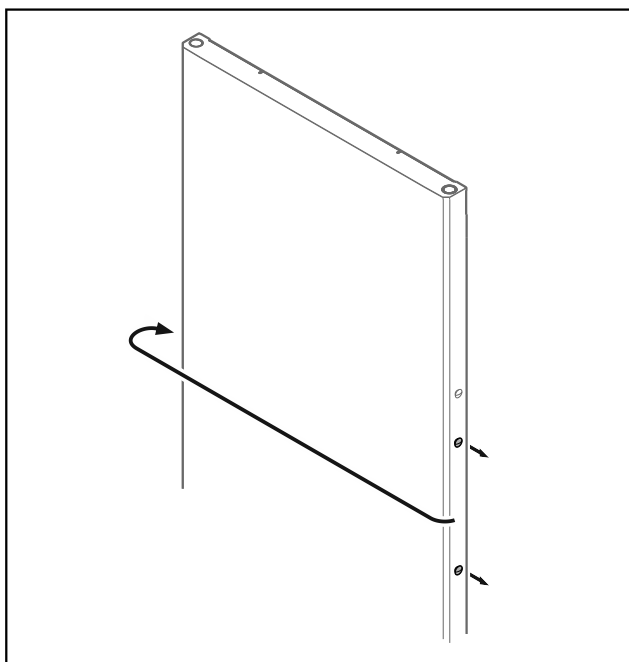


Fig. 34 Glass door\*

- Screw the handle onto the opposite side.  
 ► Attach the panels.



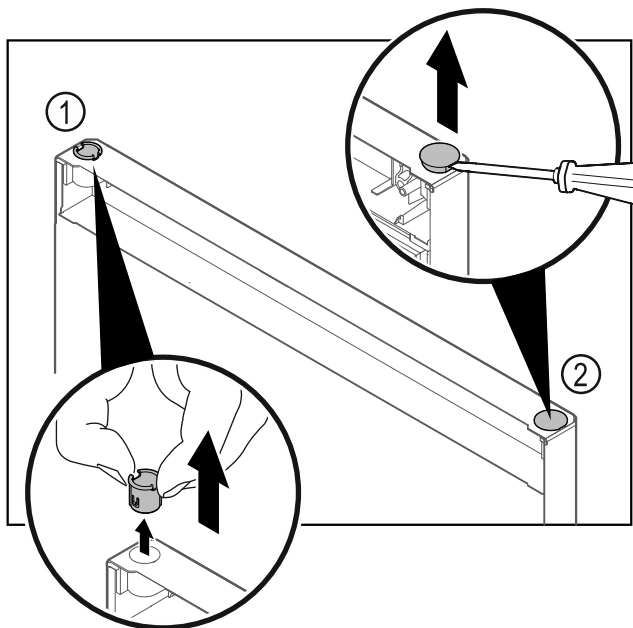


Fig. 35 Freezer compartment door

- ▶ Pull out the hinge bushing Fig. 35 (1) with your fingers.
- ▶ Carefully lift the cover plug Fig. 35 (2) with a slotted screwdriver and pull it out.

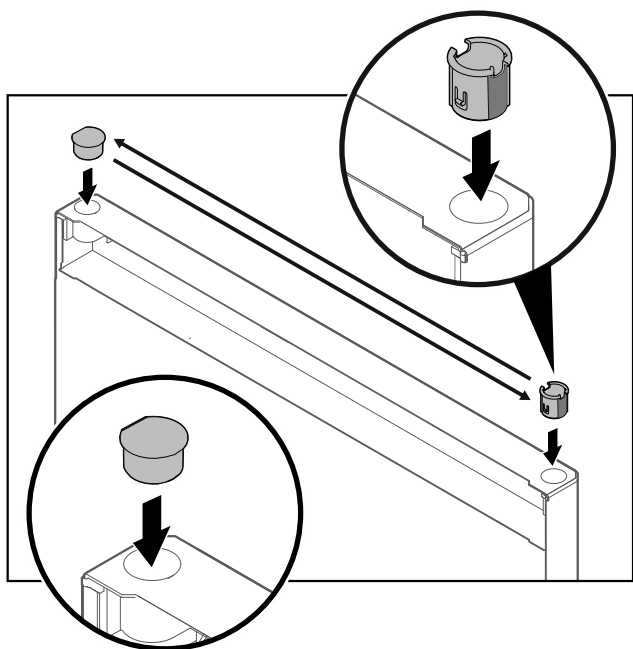


Fig. 36 Freezer compartment door

- ▶ Insert hinge bushing and cover plug on the opposite side (the flattened sides face outwards).

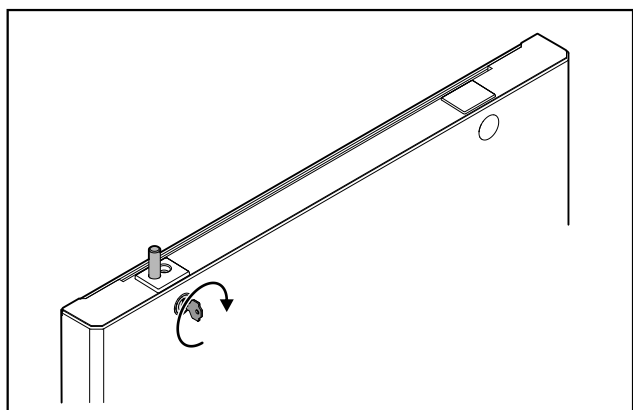


Fig. 37 Freezer compartment door  
▶ Engage the lock.

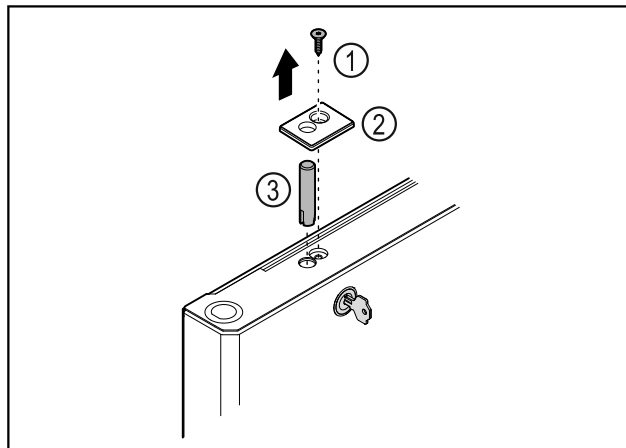


Fig. 38

- ▶ Remove the screw Fig. 38 (1).
- ▶ Unlatch the cover Fig. 38 (2) with a small screwdriver and remove it.
- ▶ Pull out the lock bolt Fig. 38 (3).

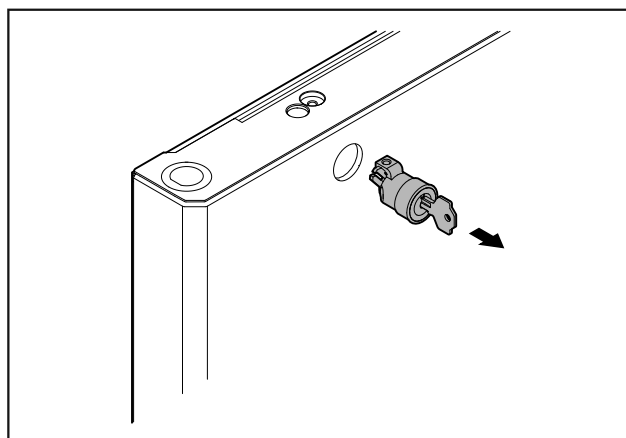


Fig. 39

- ▶ Pull out the lock.

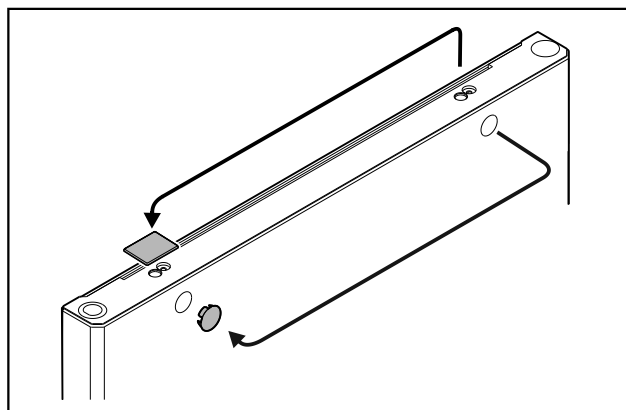


Fig. 40

- ▶ Put the covers on the opposite side.

# Putting into operation

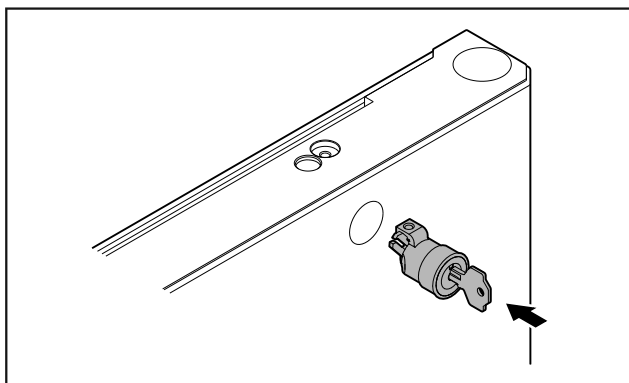


Fig. 41

- Put in the lock.

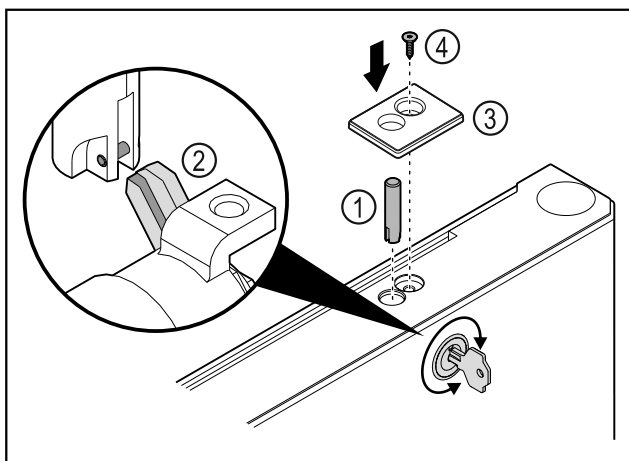


Fig. 42

- Put in the lock bolt Fig. 42 (1).
- Turn the lock slightly so that the lock bolt Fig. 42 (2) engages in the slot of the lock.
- Put in the cover Fig. 42 (3).
- Insert the screw Fig. 42 (4).

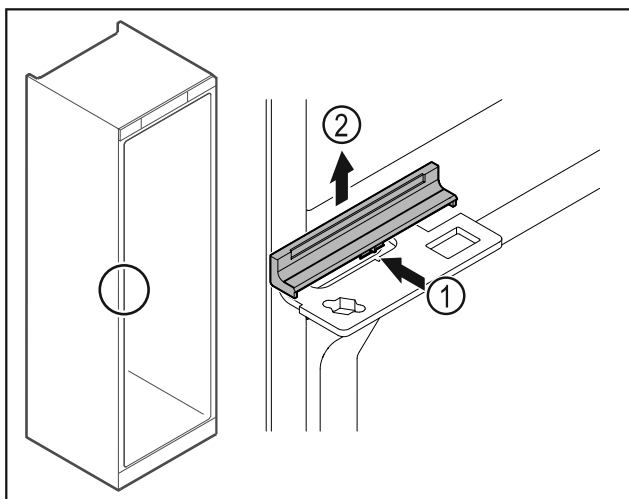


Fig. 43

- Gently press the middle of the cover Fig. 43 (1) and lift it off Fig. 43 (2).

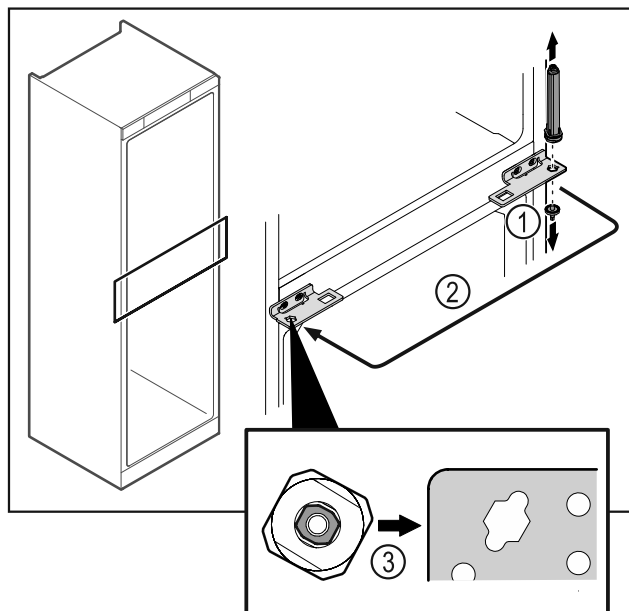


Fig. 44

- Unscrew the hinge pin Fig. 44 (1).
- Move the door closing system Fig. 44 (2).
- When inserting, make sure that the door closing system Fig. 44 (3) is correctly aligned.

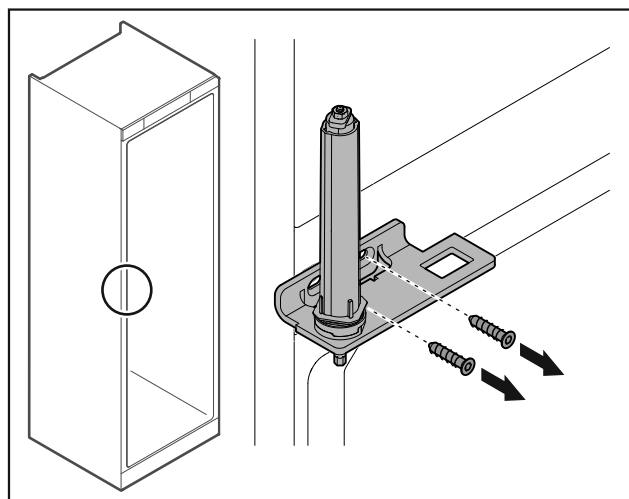


Fig. 45

- Unscrew the hinge.

## NOTICE

Risk of injury due to tensioned spring!

- Do not disassemble the door closing system Fig. 46 (1).



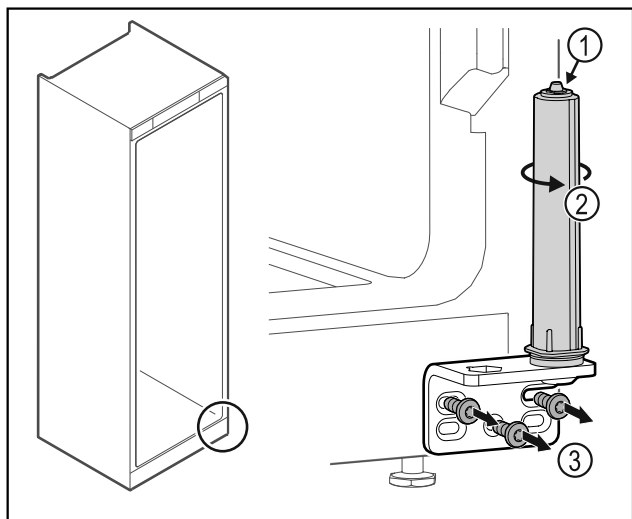


Fig. 46

- ▶ Turn the closing system Fig. 46 (2) until it clicks.
- ▷ The tension of the closing system is released.
- ▶ Unscrew the hinge Fig. 46 (3).

**Note**

Incorrect positioning of the height adjustment discs. It is no longer possible to secure the nut sufficiently.

- ▶ The washer must snap into place on the bottom of the locking system.

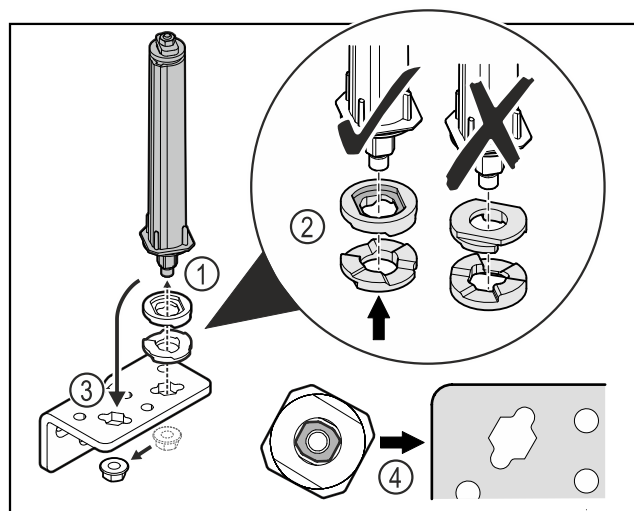


Fig. 47

- ▶ Loosen the nut and remove the door closing system Fig. 47 (1).
- ▶ Observe the correct alignment of the height adjustment washers Fig. 47 (2).
- ▶ Put the door closing system in the hinge and fix in place with the nut Fig. 47 (3).
- ▶ Observe the correct alignment of the door closing system when doing so Fig. 47 (4).

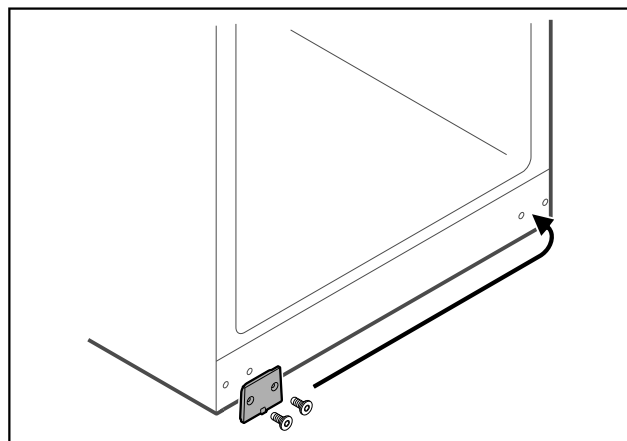


Fig. 48

- ▶ Put the cover plate on the opposite side.

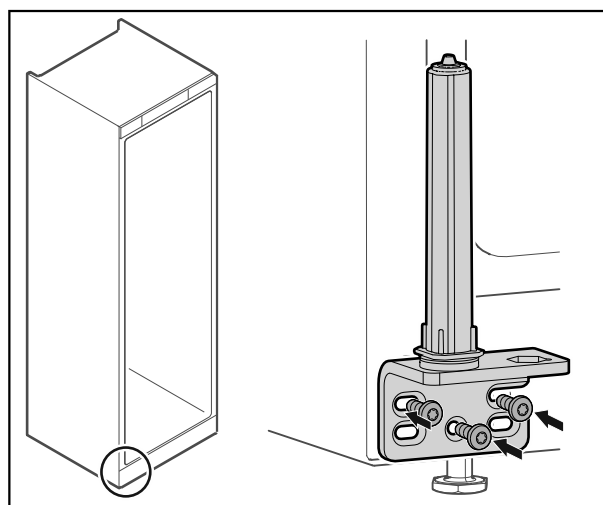


Fig. 49

- ▶ Screw the hinge onto the opposite side.

**Note**

Correct alignment and tension are important for the closing system to work properly.

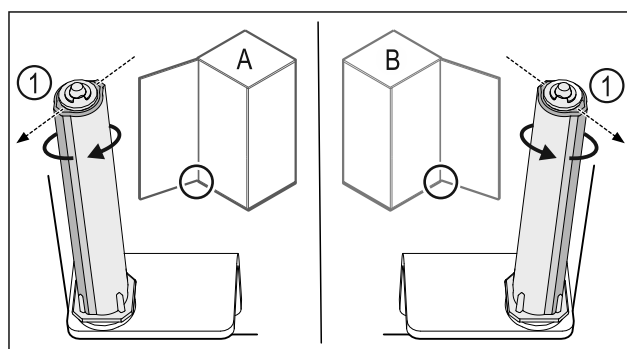


Fig. 50 Left-hinged (A) / Right-hinged (B)

- ▶ Turn the closing system against the resistance until the bar of the closing system Fig. 50 (1) points outwards.
- ▷ The closing system automatically stays in this position.
- ▷ The closing system is now aligned and tensioned.

# Putting into operation

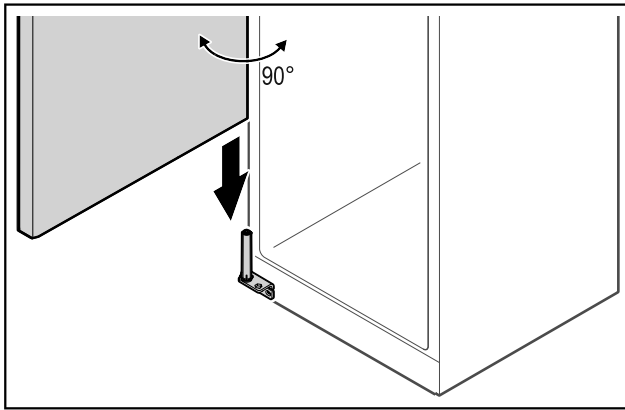


Fig. 51

- ▶ Together with a second person, lift the door from the ground and place it on the closing system.

**Note**

- ▶ Hold the door.

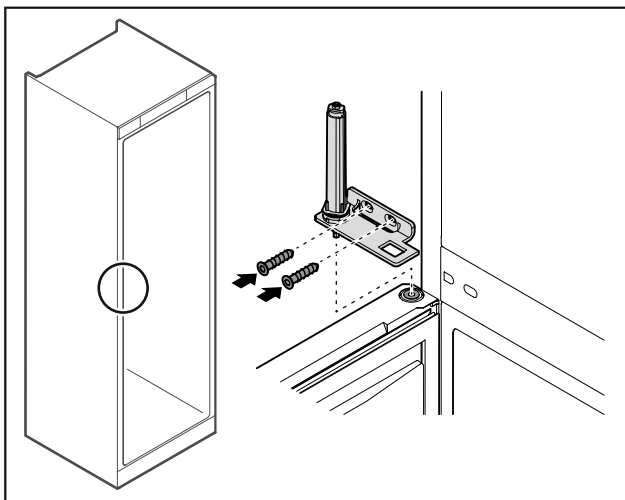


Fig. 52

- ▶ Screw on the hinge.

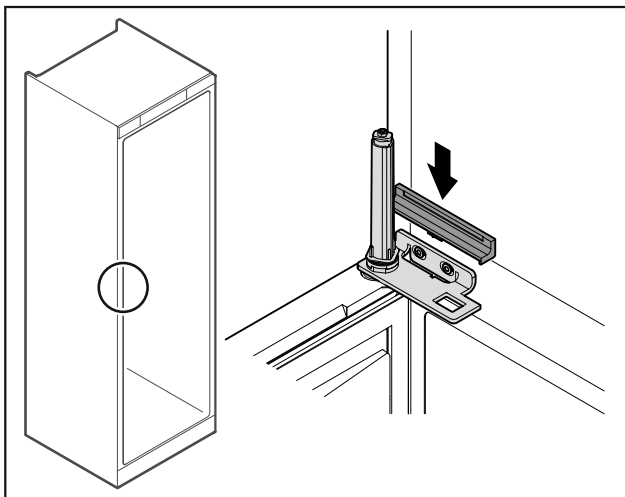


Fig. 53

- ▶ Snap on the cover.

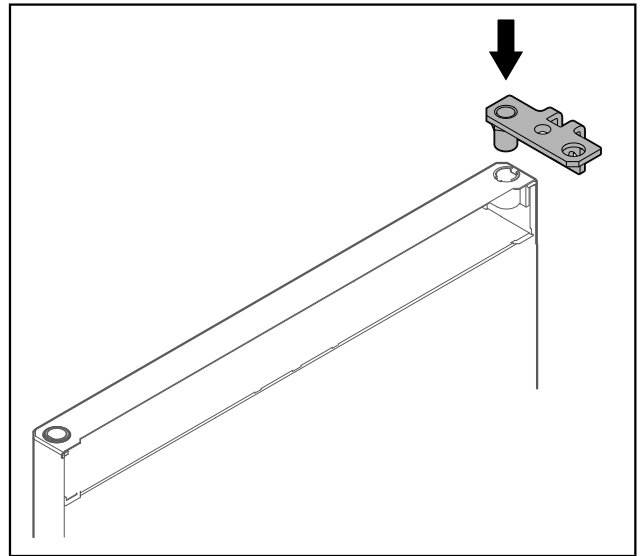


Fig. 54

- ▶ Put the hinge into the door.

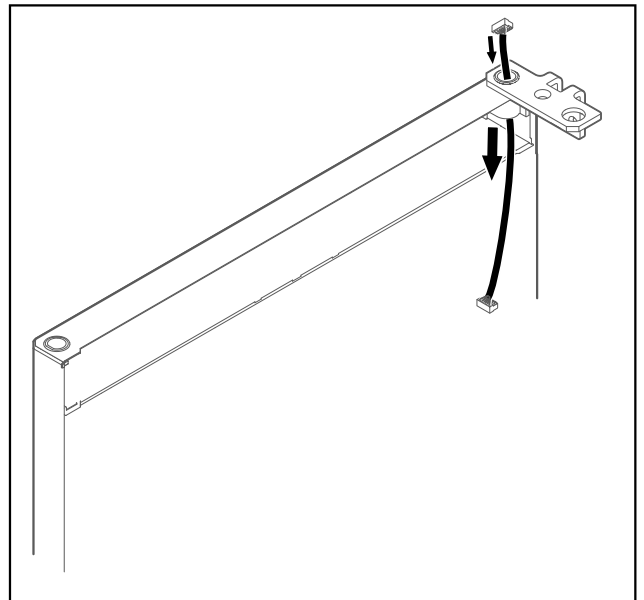


Fig. 55

- ▶ Carefully push the cable through.

**NOTICE**

Risk of injury if the door tips out!

- ▶ Hold the door.

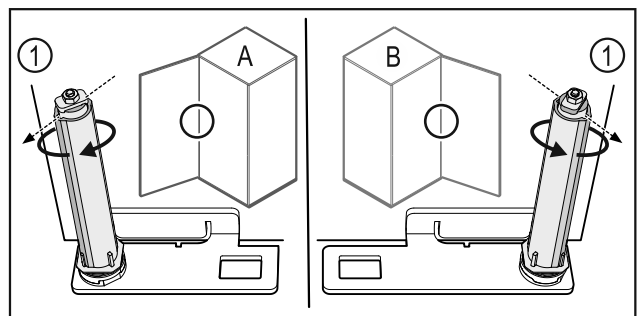


Fig. 56 Left-hinged (A) / Right-hinged (B)

- ▶ Turn the closing system against the resistance until the bar of the closing system Fig. 56 (1) points outwards.
- ▷ The closing system automatically stays in this position.
- ▷ The closing system is now aligned and tensioned.

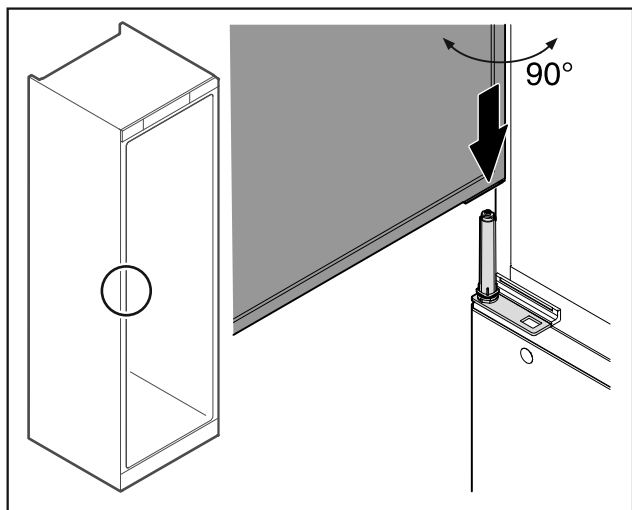


Fig. 57

- ▶ Together with a second person, lift the door from the ground.
- ▶ Carefully put the door on the closing system with the door opened at a 90° angle.

### NOTICE

Material damage due to incorrect mounting!

- ▶ Do not pinch the cable when mounting the hinge.

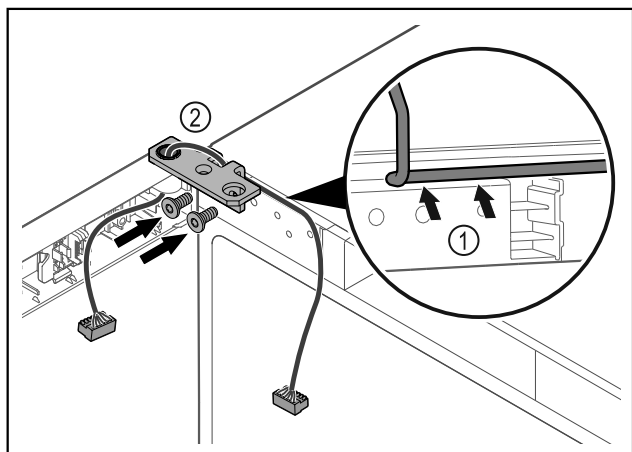


Fig. 58

- ▶ Feed the cable through the recess in the hinge and lay it carefully Fig. 58 (1).
- ▶ Screw on the hinge Fig. 58 (2).

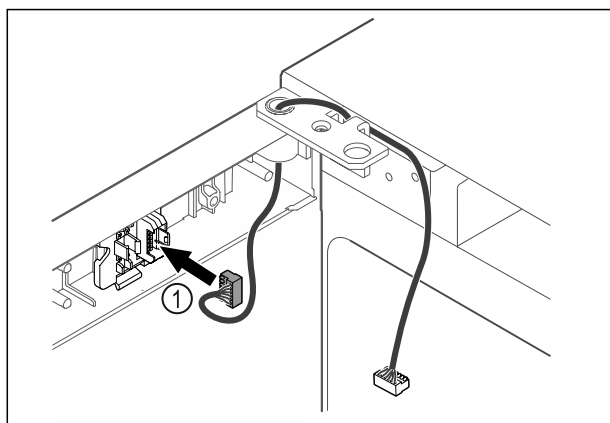


Fig. 59

- ▶ Put the plug Fig. 59 (1) in the plug holder.

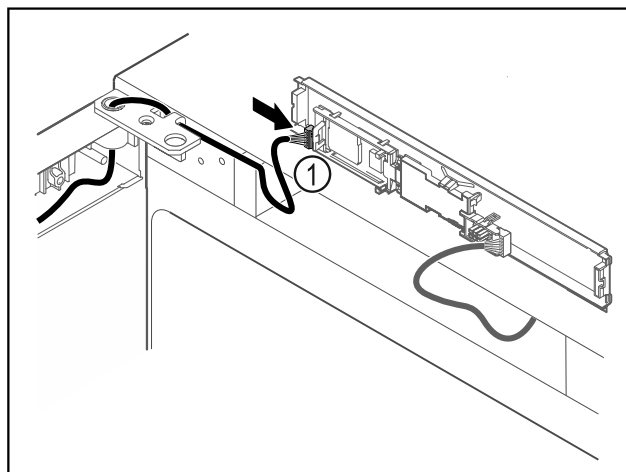


Fig. 60

- ▶ Connect the plug Fig. 60 (1) to the circuit board.

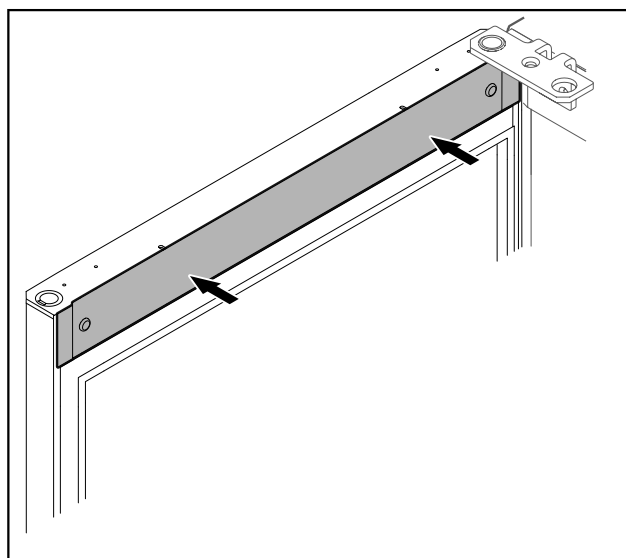


Fig. 61

- ▶ Put on the cover.

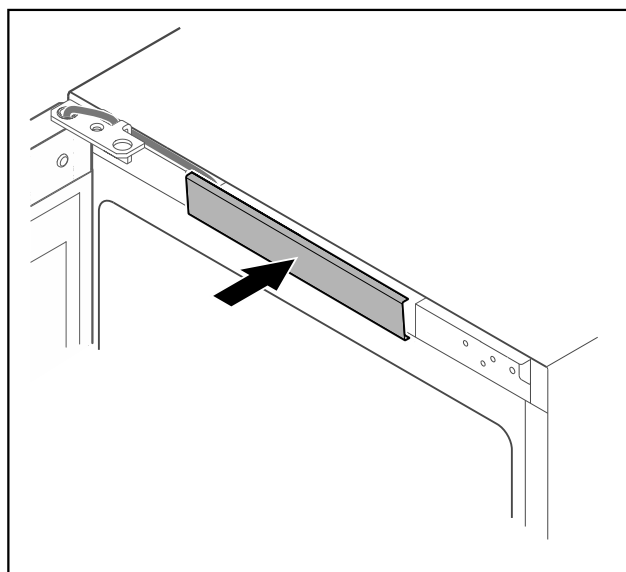


Fig. 62

- ▶ Snap in the middle cover.

## Putting into operation

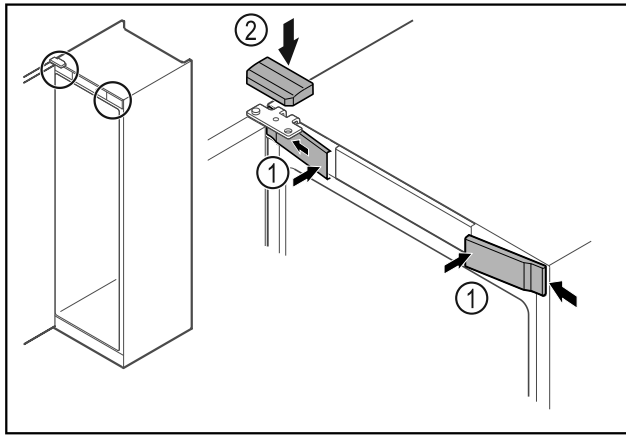


Fig. 63

- ▶ Hook in the front covers Fig. 63 (1) on the side and snap them into place.
- ▶ Snap on the top cover Fig. 63 (2) from above.
- ▶ Close the door.
- ▷ The door has now been reversed.

### 4.12 Aligning the door

If the door is not straight, you can adjust it on the hinge.

Align the fridge compartment door before the freezer compartment door.

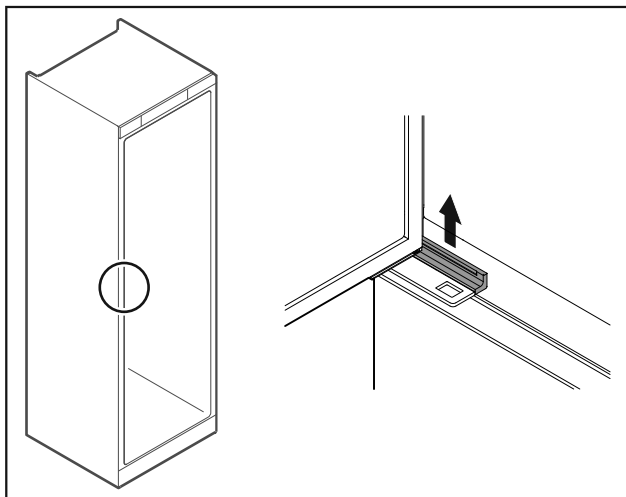


Fig. 64 Fridge compartment

- ▶ Take off the cover.

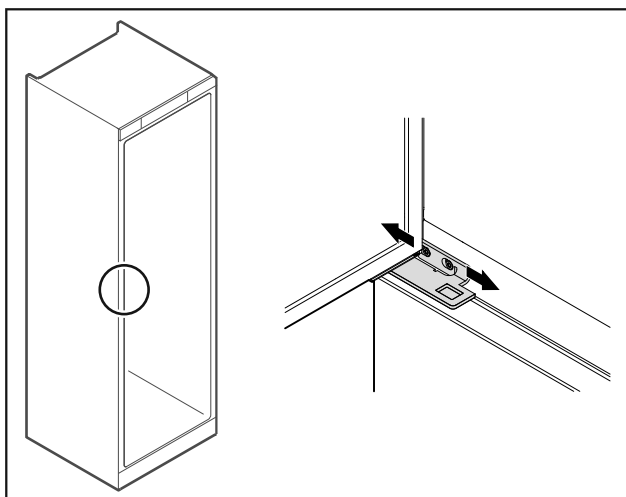


Fig. 65 Fridge compartment

- ▶ Slightly undo both screws and move the door with the hinge to the left or right.
- ▶ Tighten the screws.
- ▶ Put on the cover.

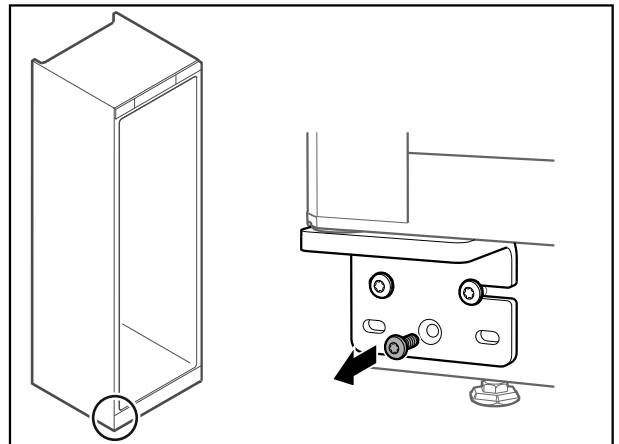


Fig. 66 Freezer compartment

- ▶ Remove the middle screw on the lower hinge.

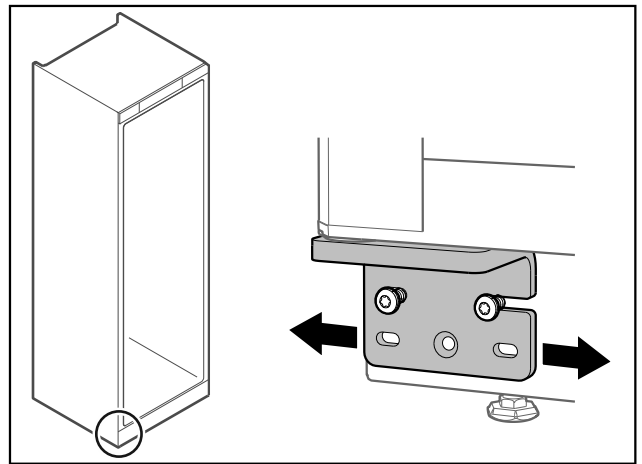


Fig. 67 Freezer compartment

- ▶ Slightly undo both screws and move the door with the hinge to the left or right.
- ▶ Fully tighten the screws (the middle screw is no longer needed).
- ▷ The doors are now aligned.

### 4.13 Connecting the appliance to the power supply



#### WARNING

Danger of electric shock and injury due to damaged appliance or damaged mains cable!

Danger of cuts and fatal injuries. If the appliance or the mains cable is damaged during transport, you may be electrocuted. You could also cut yourself on damaged parts of the appliance housing.

- ▶ Check the appliance and the mains cable for damage after transport.
- ▶ Never put the appliance into operation if the appliance or the mains cable are damaged.
- ▶ Contact Customer Service.

You can connect your appliance to the mains using the power cable supplied separately. The mains power cable has an appliance coupler at one end and a mains plug at the other end.

Make sure that the following requirements are fulfilled:

- The appliance and power cable are undamaged.
- The appliance is set up in accordance with the regulations. (see 4.5 Installing door handle)
- Requirements for the electrical connection are met. (see 4.1 Installation conditions)
- Dimensions for connection in accordance with regulations are known and observed.
- Mains voltage and frequency correspond to the specifications on the type plate.
- The socket is earthed according to the regulations and fused.
- The fuse tripping current is between 10 A and 16 A.
- The socket is easily accessible and is not behind the appliance.

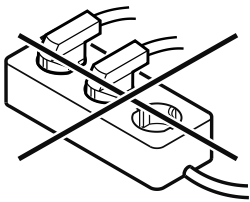
## NOTICE

- Danger of damage to incorrect operation!  
Damage to the electrical components of the appliance.
- ▶ Only use the supplied mains cable.
  - ▶ Mains cable too short: Order a longer mains cable via customer service. (see 9.3 Customer Service)



## WARNING

- Danger of fire due to incorrect connection!  
Burns.  
Damage to the appliance.
- ▶ Do not use an extension cable.
  - ▶ Do not use distributor blocks.



## NOTICE

- Danger of damage to incorrect connection!  
Damage to the appliance.
- ▶ Do not connect the appliance to a stand-alone inverter, e.g. solar power systems and petrol generators.

- ▶ Connect the mains cable plug to the power supply. Ensure that the plug is tightly in the socket.
- ▷ The standby symbol appears in the display.
- ▷ If no action occurs within 60 seconds: The standby symbol fades or disappears.
- ▷ The appliance is connected. For information regarding first use, see the following section or the operating instructions.

## 4.14 Switching on appliance (first use)

Make sure the following prerequisites are met:

- Appliance is installed and connected.
- All adhesive strips, adhesive and protective films and transport locks are removed from inside and outside the appliance.

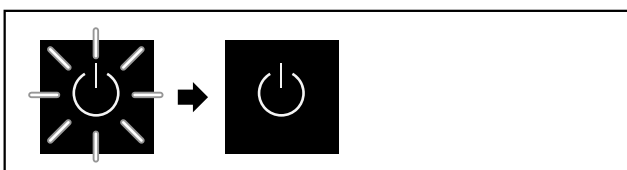


Fig. 68 Example illustration

The standby symbol flashes until the startup process is complete.

The standby symbol is shown in the display.

If the appliance has been supplied with factory settings, the screen language first needs to be selected when using for the first time.

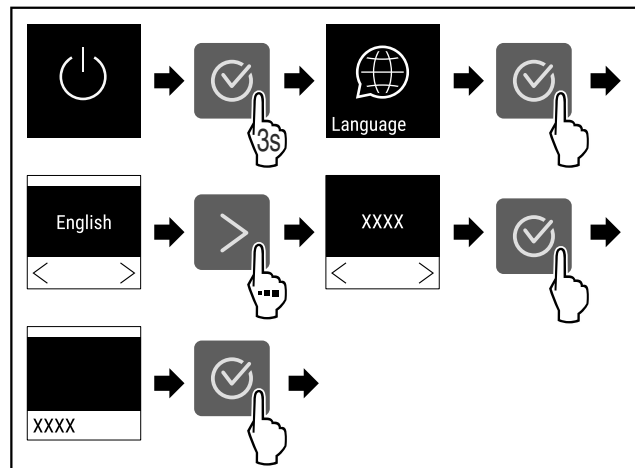


Fig. 69

- ▶ Carry out action steps according to the illustration.



Fig. 70

- ▷ The appliance is switched on once the temperature appears in the display.
- ▷ The temperature display flashes until the set temperature is reached.

## 5 Storage

### 5.1 Information regarding storage

#### Note

Failure to follow these guidelines can lead to food becoming spoiled.

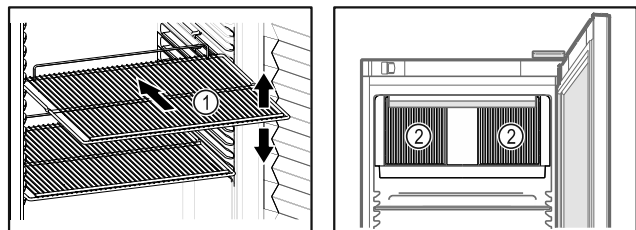



Fig. 71 Example illustration Fig. 72

When stocking observe the following:

- If there are adjustable shelves Fig. 71 (1), position them as required.
- Observe maximum load weight. (see 9.1 Technical specifications)
- Do not load appliance until storage temperature has been reached (maintain cold chain).
- Ventilation slots Fig. 72 (2) for recirculation fan in the interior must be kept clear.
- Refrigerated goods must not touch the rear wall.
- Refrigerated items do not protrude beyond the shelves.
- Keep liquids in closed containers.
- Package raw meat or fish in clean, closed containers. This will prevent meat or fish from touching or dripping onto other food.

# Controls

- ❑ Leave space when storing items for refrigeration to ensure good air circulation.
- ❑ Do not stack refrigerated products above the indicated height.  This is important for free air circulation and even temperature distribution in the interior.

## 5.2 Storage times

The best-before date specified on the packaging should be used as the reference point for the storage time.

## 6 Controls

### 6.1 Control and display elements

The display provides a quick overview of the current appliance status, the temperature setting, the status of functions and settings as well as alarm and error messages.

It is operated using the navigation arrows and confirmation symbol.

Functions can be activated or deactivated and setting values can be changed.



Fig. 73 Display

- (1) Status display
- (2) Backwards navigation arrow
- (3) Forward navigation arrow
- (4) Confirm

#### 6.1.1 Status display

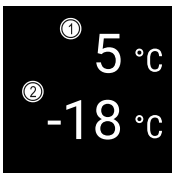
















Fig. 74 Status display

- (1) Temperature, refrigerator compartment
- (2) Temperature, freezing compartment

The status display shows the temperature and is the home display. You navigate from here to the other functions and settings. The status display may show a range of display symbols.

#### 6.1.2 Display symbols

Display symbols provide information about the status of the appliance.

| Symbol   | Appliance status   |
|--|--|
|     | <b>Standby</b><br>Appliance is switched off.   |
|     | <b>Flashing standby symbol</b><br>Appliance is starting up.  |
|     | <b>Flashing temperature</b><br>Target temperature not yet reached. Appliance cooling to temperature set.               |
|     | <b>Temperature display</b><br>Appliance displays the set temperature.  |
|    | <b>Display alternating between temperature/defrost symbol with white bar</b><br>Appliance is in manual defrosting mode |
|     | <b>D in the display</b><br>Appliance is in DemoMode.   |
|    | <b>Maintenance reminder</b><br>The time interval set has expired.  |
|   | <b>Data memory full</b><br>The data memory (999 hours) is full. From now, the oldest data will be overwritten.         |
|   | <b>Flashing symbol</b><br>A fault is still active.   |
|   | <b>Error symbol</b><br>Appliance is in error state.  |
|   | <b>White bar at the bottom</b><br>Submenu  |
|  | <b>White bar at the top</b><br>Default, active setting or active value   |
|  | <b>Increasing bar</b><br>Press button for 3 seconds to activate setting.   |
|  | <b>Decreasing bar</b><br>Press button for 3 seconds to deactivate setting.   |

Status display symbols

#### 6.1.3 Acoustic signals

A signal sounds in the following cases:

- If a function or a value is confirmed.
- If a function or a value can either not be activated or not deactivated.
- As soon as an error occurs.
- If there is an alarm message.

The alarms can be switched on and off in the customer menu.

## 6.2 Appliance functions

### 6.2.1 Notes on the appliance functions

The appliance functions are set at the factory so that your appliance is fully functional.

Before you alter, activate or deactivate the device functions, make sure that the following requirements are met:

- You have read and understood the descriptions of how the display works. (see 3 Functionality of the Touch display)
- You have familiarised yourself with the operating and display elements of your appliance. (see 6.1 Control and display elements)

### 6.2.2 Switching appliance on and off



Using this setting the entire appliance can be switched on and off.

#### Switching on appliance

Without activated DemoMode:

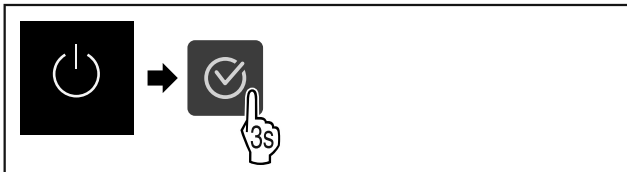


Fig. 75

- ▶ Carry out action steps according to the illustration.

With activated DemoMode:

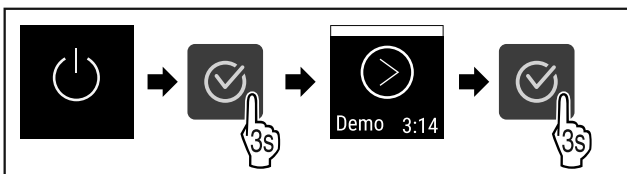


Fig. 76

- ▶ Carry out action steps according to the illustration.

#### Note

Deactivate DemoMode before countdown finishes.

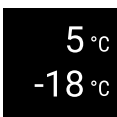


Fig. 77

- ▷ The temperature appears in the display.

#### Switching off appliance



Fig. 78

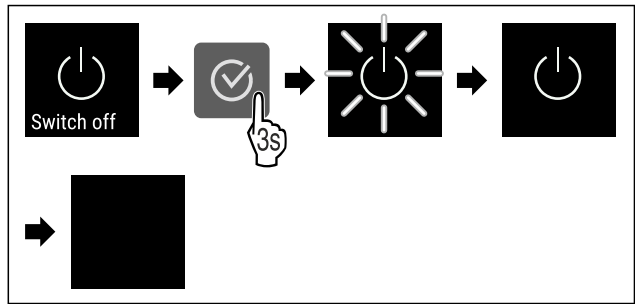


Fig. 79

- ▶ Carry out action steps according to the illustration.
- ▷ Standby symbol is shown in the display.
- ▷ Display switches off after approximately 10 minutes.

### 6.2.3 Switching temperature zone off and on



on

You can switch temperature zones of the appliance off independently.

Application:

- Cleaning
- Defrosting

#### Switching the fridge compartment off

Make sure that the following requirements are fulfilled:

- Refrigerator compartment has been emptied.

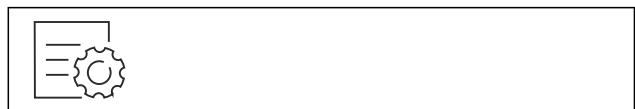


Fig. 80

- ▶ Tap navigation arrow repeatedly until corresponding function is displayed.

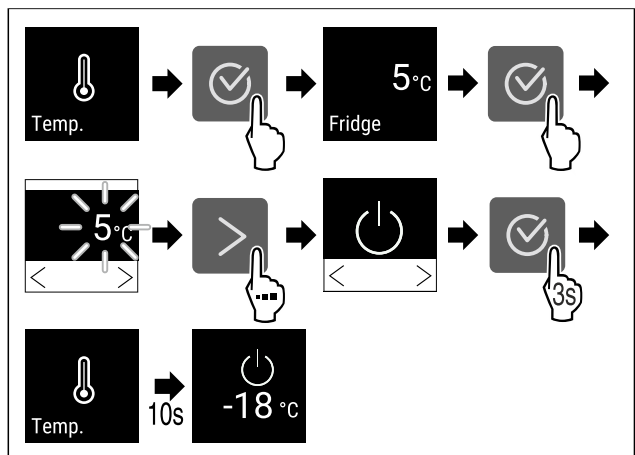


Fig. 81

- ▶ Carry out action steps according to the illustration.
- ▷ Refrigerator compartment is switched off.

#### Switching the freezer compartment off

Make sure that the following requirements are fulfilled:

- Freezer compartment has been emptied.



Fig. 82

# Controls

- ▶ Tap navigation arrow repeatedly until corresponding function is displayed.

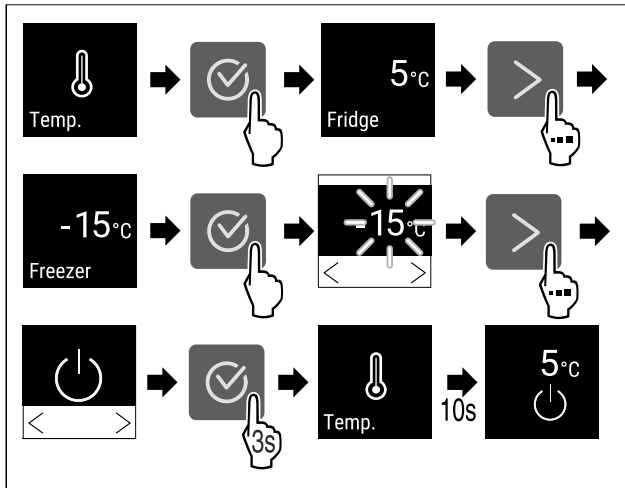


Fig. 83

- ▶ Carry out action steps according to the illustration.
- ▷ Freezer compartment is switched off.

### Switching the fridge compartment on



Fig. 84

- ▶ Tap navigation arrow repeatedly until corresponding function is displayed.

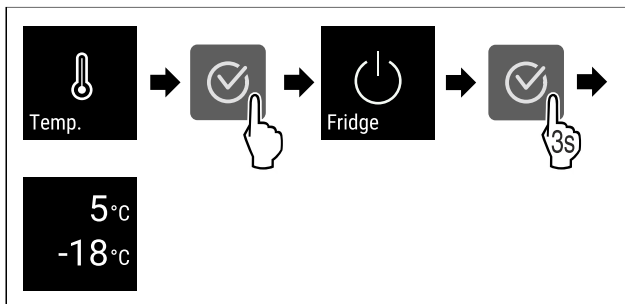


Fig. 85

- ▶ Carry out action steps according to the illustration.
- ▷ Refrigerator compartment is switched on.
- ▷ The appliance cools to the last set temperature.

### Switching the freezer compartment on



Fig. 86

- ▶ Tap navigation arrow repeatedly until corresponding function is displayed.

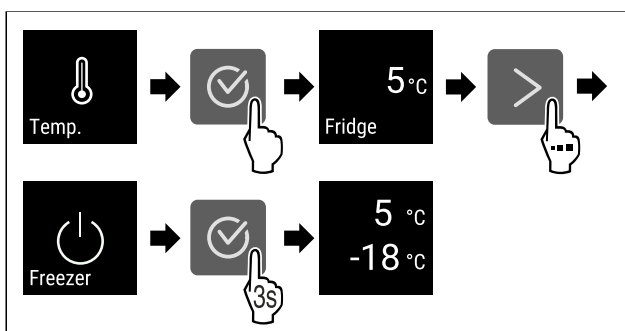


Fig. 87

- ▶ Carry out action steps according to the illustration.
- ▷ Freezer compartment is switched on.
- ▷ The appliance cools to the last set temperature.

## 6.2.4 Temperature



The temperature depends on the following factors:

- How often the door is opened
- How long the door is open for
- The room temperature of the installation site
- The type, temperature and amount of frozen/refrigerated food

### Note

The temperature may differ from the temperature displayed in some areas of the interior.

At the correct temperature, frozen and refrigerated food will keep for longer. This avoids disposing of food unnecessarily.

### Setting temperature



Fig. 88

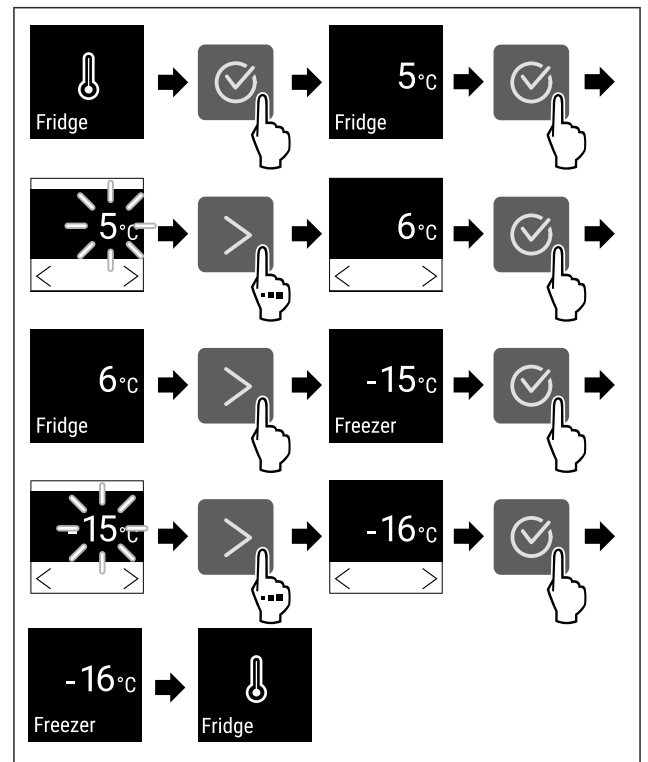


Fig. 89 Changing temperature from 5 °C to 6 °C and from -15 °C to -16 °C

- ▶ Carry out action steps according to the illustration.
- ▷ Temperature is set.

## 6.2.5 Temperature recording



The appliance displays the minimum and maximum temperatures of the interior. The recording of these temperatures starts automatically after the appliance is switched on; they are recorded at one minute intervals. A note indicating that



the data memory is full is displayed after 999 hours (approx. 40 days). The temperature recording should then be reset.

## Note

We recommend resetting the temperature recording once **after reaching the set temperature** when the appliance is commissioned. This ensures that the value displayed for the maximum temperature is a meaningful value.

## Displaying temperature recording

The temperature recording displays the length of the recording and the minimum and maximum temperatures measured during this period of time.



Fig. 90

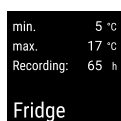


Fig. 91

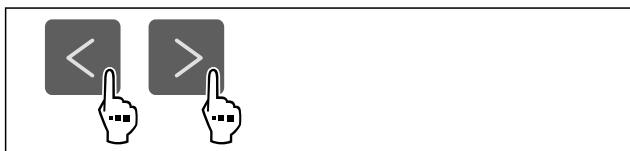


Fig. 92



Fig. 93

- ▷ Status screen with the temperature recordings is displayed.

## Resetting temperature recording

The displayed minimum and maximum temperatures can be reset at any time. This deletes the displayed values and the recording interval starts again.

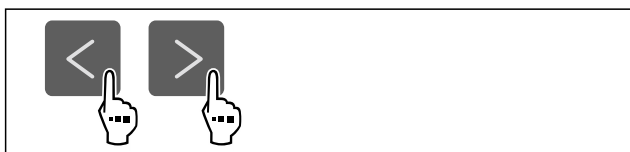


Fig. 94

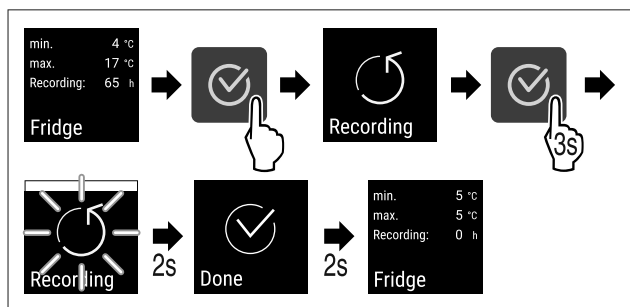


Fig. 95

- ▷ Carry out steps according to the illustration.

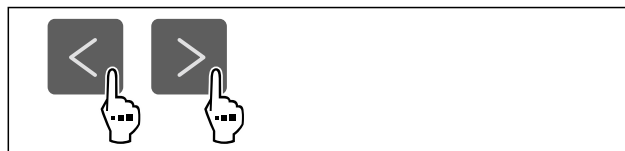


Fig. 96

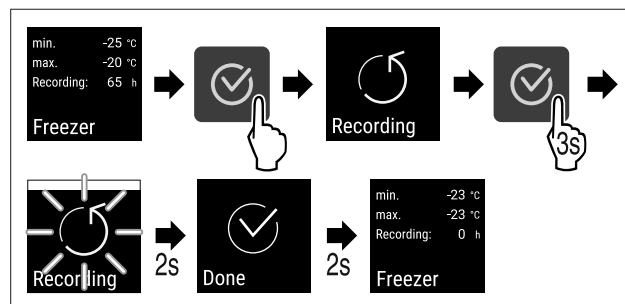


Fig. 97

- ▷ Carry out steps according to the illustration.
- ▷ Temperature recording is reset.
- ▷ Recording interval starts again.

## 6.2.6 Lighting



The appliance is fitted with interior lighting.

You can keep the interior lighting on continuously. (see Switching on lighting\*) \*

When you open the appliance door, the interior lighting switches on.

You can also deactivate this function. (see Switching off the lighting when opening the door\*) \*

### Switching off lighting\*

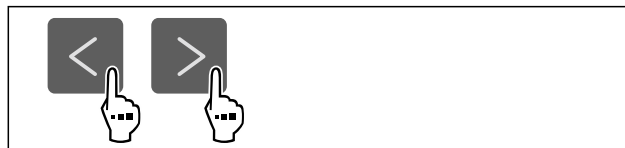


Fig. 98

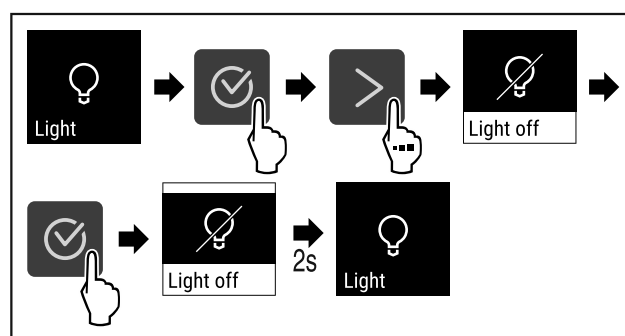


Fig. 99

- ▷ Carry out action steps according to the illustration.
- ▷ Lighting is switched off.

### Switching on lighting\*

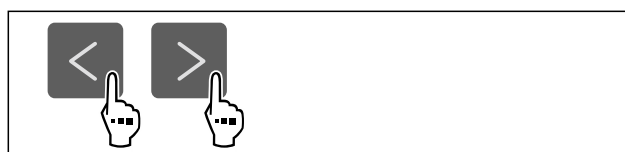


Fig. 100

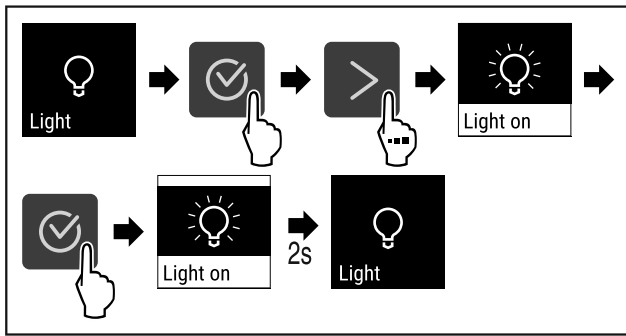


Fig. 101

- ▶ Carry out action steps according to the illustration.
- ▷ Lighting is switched on.

### Switching off the lighting when opening the door\*

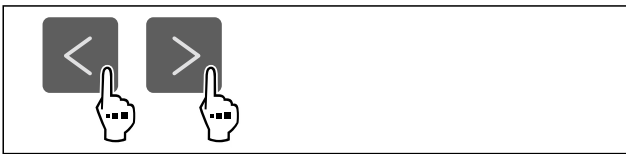


Fig. 102

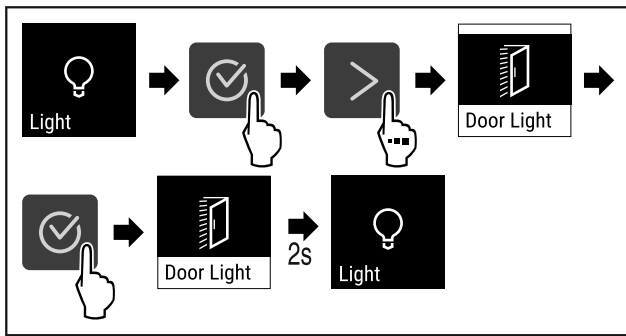


Fig. 103

- ▶ Carry out action steps according to the illustration.
- ▷ The lighting is switched off when the door is opened.

### Switching on the lighting when opening the door\*

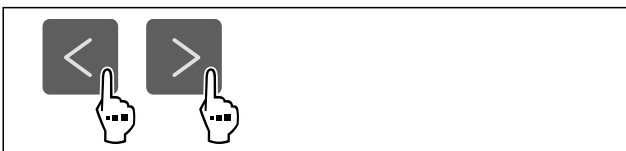


Fig. 104

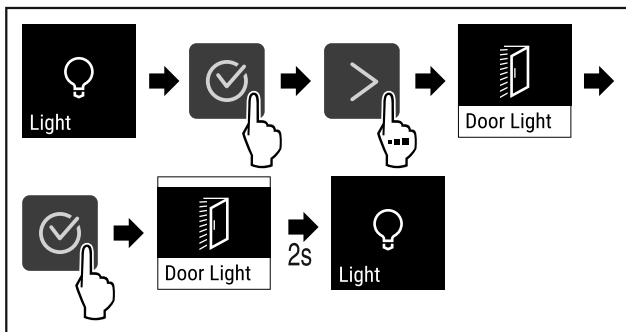


Fig. 105

- ▶ Carry out action steps according to the illustration.
- ▷ The lighting is switched on when the door is opened.

## 6.2.7 Lighting intensity



This setting allows the interior brightness to be adjusted incrementally.

The following brightness values can be set:

- 20%
- 40%
- 60%
- 80%
- 100% (default)

### Setting lighting intensity



Fig. 106

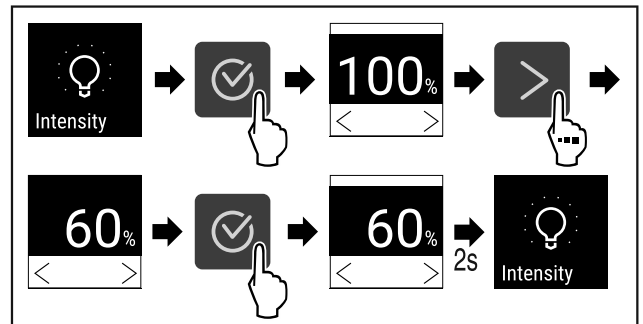


Fig. 107

- ▶ Carry out action steps according to the illustration.
- ▷ The lighting intensity increases or decreases accordingly.

## 6.2.8 SuperCool



You can use this function to activate or deactivate SuperCool. If SuperCool is activated, then the appliance increases the cooling capacity. It allows you to achieve lower cooling temperatures. You can activate SuperCool when you would like to cool a large quantity of food quickly.

The temperature in the VarioTempZone remains as preset. The active SuperCool function has no effect on the VarioTempZone.

If the function is active, the appliance operates at higher power. As a result, the appliance's operating noise may be temporarily louder and energy consumption will increase.

### Activating SuperCool



Fig. 108

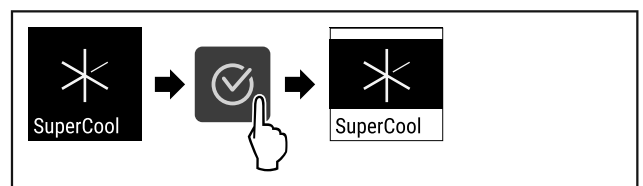


Fig. 109

- ▶ Carry out action steps according to the illustration.

▷ SuperCool is activated.

## Deactivating SuperCool

SuperCool is automatically deactivated after 6 to 12 hours depending on the quantity of the food inserted. However, you can also deactivate SuperCool manually at any time:



Fig. 110

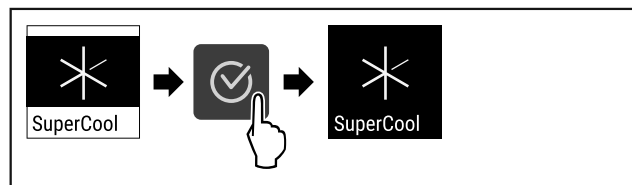


Fig. 111

- ▶ Carry out action steps according to the illustration.
- ▷ SuperCool is deactivated.
- ▷ The appliance continues to run in normal mode.
- ▷ The appliance cools to the temperature set previously.

## 6.2.9 SuperFrost



You can use this function to activate or deactivate SuperFrost. If SuperFrost is activated, then the appliance increases the freezing capacity. It allows you to achieve lower freezing temperatures.

Application:

- Quickly freeze fresh food through to the core. This ensures that the nutrition, appearance and taste of frozen food is maintained.
- Increase the cold reserve in stored frozen food before defrosting the appliance.

The temperature in the VarioTempZone remains as preset. The active SuperFrost function has no effect on the VarioTempZone.

If the function is active, the appliance operates at higher power. As a result, the appliance's operating noise may be temporarily louder and energy consumption will increase.

### Activating SuperFrost



Fig. 112

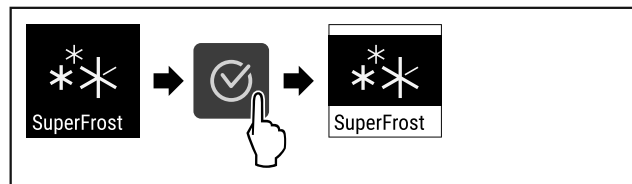


Fig. 113

- ▶ Carry out action steps according to the illustration.
- ▷ SuperFrost is activated.

### Deactivating SuperFrost

SuperFrost is automatically deactivated after 8 to 65 hours depending on the quantity of the food inserted. However, you can also deactivate SuperFrost manually at any time:

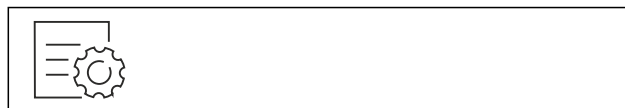


Fig. 114

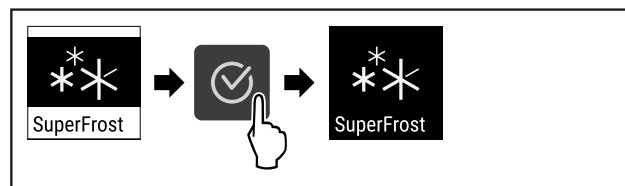


Fig. 115

- ▶ Carry out action steps according to the illustration.
- ▷ SuperFrost is deactivated.
- ▷ The appliance continues to run in normal mode.
- ▷ The appliance cools to the temperature set previously.

## 6.2.10 HumiditySelect



The humidity in the fridge compartment can be adjusted depending on which food is being stored.

Application:

- High humidity is suitable for storing loose salad, vegetables, fruit with a high moisture content.
- Low humidity is suitable for storing dry or packaged food (e.g. dairy produce, meat, sausages, fish). A relatively dry storage climate is set here.

The following levels can be set:

- Standard (Low)
- Medium
- High

### Increasing the humidity in the appliance



Fig. 116

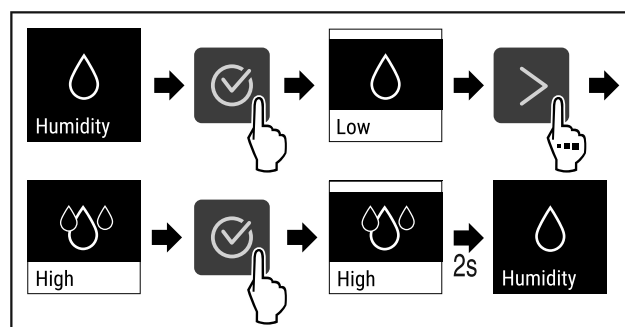


Fig. 117

- ▶ Carry out action steps according to the illustration.
- ▷ Humidity in the appliance increases.

### Setting the humidity in the appliance to standard



Fig. 118

# Controls

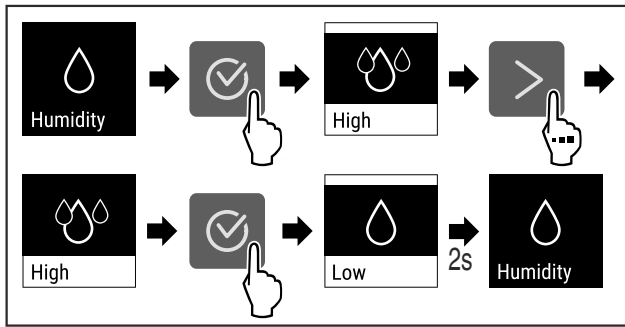


Fig. 119

- ▶ Carry out action steps according to the illustration.
- ▷ Humidity in the appliance decreases.



## 6.2.11 Display lock

This setting avoids accidental operation of the appliance.

Application:

- Prevent settings and functions being changed unintentionally.
- Prevent the appliance being switched off unintentionally.
- Prevent temperature being set unintentionally.

### Activating display lock



Fig. 120

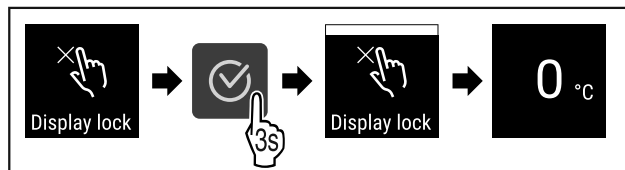


Fig. 121

- ▶ Carry out action steps according to the illustration.
- ▷ The display lock is activated.
- ▷ The status display appears.

### Deactivating display lock

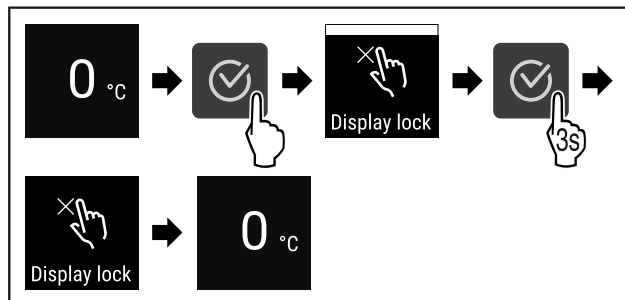


Fig. 122

- ▶ Carry out action steps according to the illustration.
- ▷ The display lock is deactivated.
- ▷ The status display appears.

## 6.2.12 Maintenance interval reminder



Setting for the time interval after which a maintenance reminder is issued.

The following values can be set:

- 7 days
- 14 days
- 30 days
- 60 days
- 90 days
- 180 days
- 360 days
- 720 days
- 1080 days
- Off

### Setting maintenance interval reminder

The following steps describe how the maintenance interval is set.



Fig. 123

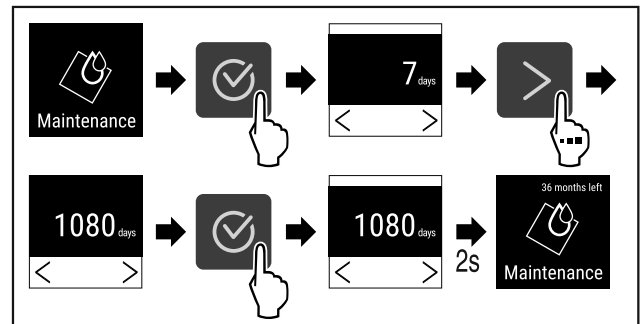


Fig. 124

- ▶ Carry out action steps according to the illustration.
- ▷ The time interval, after which the maintenance reminder is issued, is set.
- ▷ The remaining time is displayed.



## 6.2.13 Language

This setting allows the display language to be set.

### Setting language

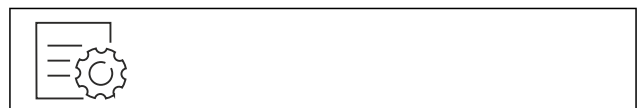


Fig. 125

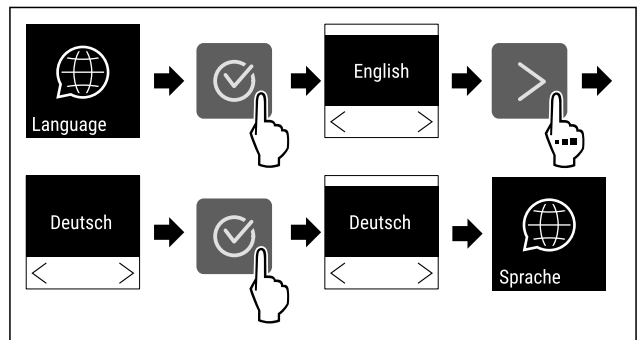


Fig. 126

- ▶ Carry out action steps according to the illustration.
- ▷ The selected language is set.

## 6.2.14 Temperature unit



Use this function to set the temperature unit. You can set degrees Celsius or degrees Fahrenheit as the temperature unit.

### Setting the temperature unit

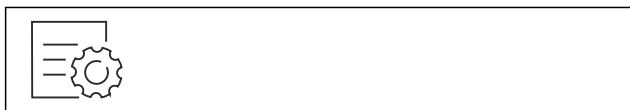


Fig. 127

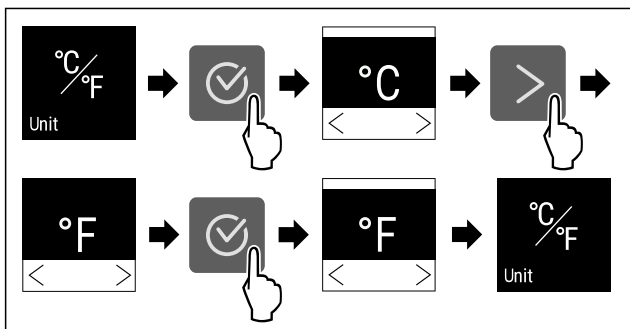


Fig. 128 Example illustration: Switch from degrees Celsius to degrees Fahrenheit.

- ▶ Carry out action steps according to the illustration.
- ▷ The temperature unit is set.

## 6.2.15 Display brightness



Use this function to set the display brightness in stages.

You can select the following brightness levels:

- 40 %
- 60 %
- 80 %
- 100 % (pre-setting)

### Setting the brightness



Fig. 129

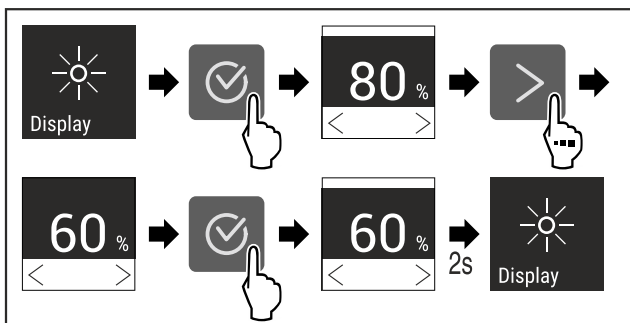


Fig. 130 Example illustration: Switch from 80 % to 60 %.

- ▶ Carry out action steps according to the illustration.
- ▷ The brightness is set.

## 6.2.16 WiFi connection



### Note

Liebherr SmartMonitoring Dashboard is not available in all countries. Check availability via the QR code by entering your model.

### Note

Use of the Liebherr SmartMonitoring Dashboard at <https://smartmonitoring.liebherr.com> requires installation of a SmartModule and a commercial MyLiebherr account. When commissioning online you can register using the login data you have, or register again and create a company account.

This setting establishes a wireless connection between the appliance and the internet. The connection is controlled via the SmartModule. The appliance can be integrated via the browser-based [Liebherr SmartMonitoring Dashboard](#) and advanced options as well as customised methods relating to control, administration and monitoring can be used.

### Note

Accessories are available from Customer Service (see 9.3 Customer Service) and the Liebherr-Hausgeräte store at [home.liebherr.com/shop/de/deu/zubehor.html](http://home.liebherr.com/shop/de/deu/zubehor.html).

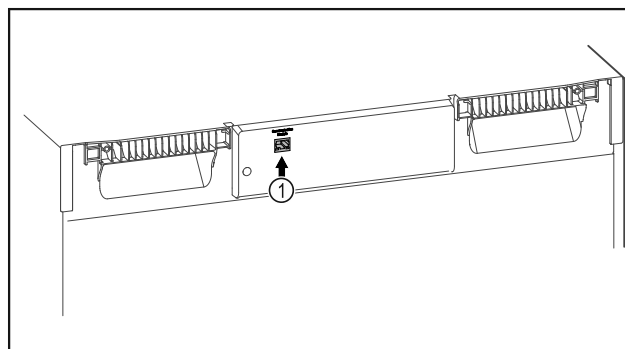


Fig. 131

Make sure that the following requirements are fulfilled:

- SmartModule Fig. 131 (1) is in use.

### Establishing connection

You commission and set up your SmartModule online via the [Liebherr SmartMonitoring Dashboard](#) on your web-enabled device.

On the [Liebherr SmartMonitoring Dashboard](#), information is also available about retrofitting the SmartModule.



Fig. 132

- ▶ Open the [Liebherr SmartMonitoring Dashboard](#) (see Fig. 132).

On the refrigerator or freezer:

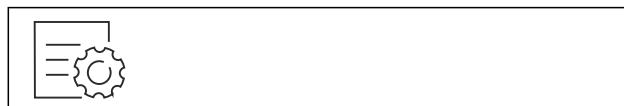


Fig. 133

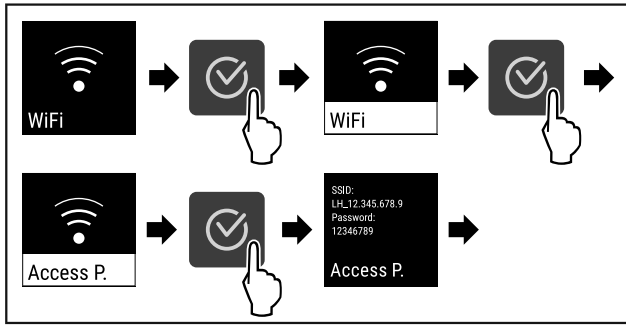


Fig. 134

- ▶ Carry out action steps according to the illustration.
- ▶ Continue the set-up procedure on your web-enabled device: [Liebherr SmartMonitoring Dashboard](#)

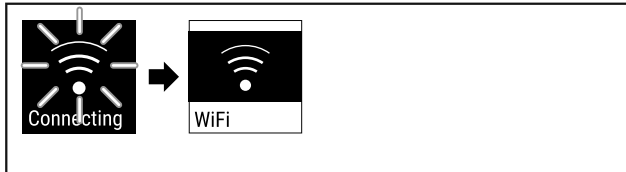


Fig. 135

- ▶ Connection is established.
- ▷ WiFi connecting appears. The symbol flashes.
- ▶ Follow the [Liebherr SmartMonitoring Dashboard](#) instructions.
- ▷ Connection is established.

### Disconnecting

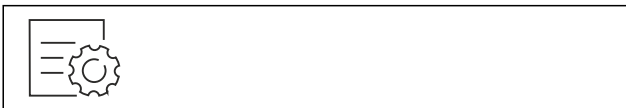


Fig. 136

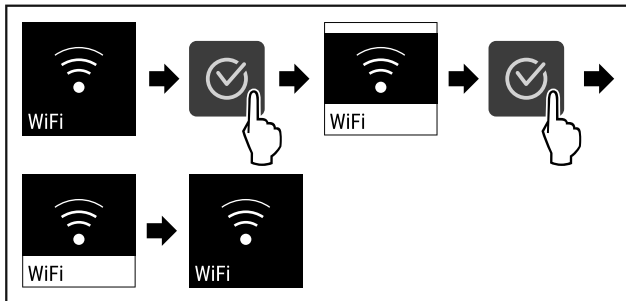


Fig. 137

- ▶ Carry out action steps according to the illustration.
- ▷ There is no connection.

### Resetting connection



Fig. 138

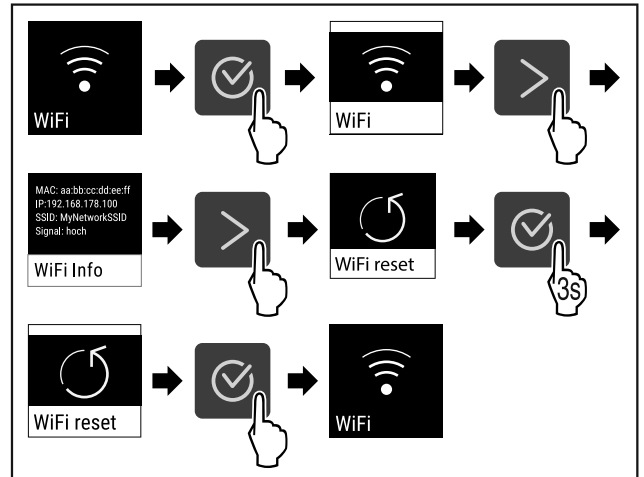


Fig. 139

- ▶ Carry out action steps according to the illustration.
- ▷ The WiFi settings are restored to the factory settings.

## 6.2.17 LAN connection



### Note

Liebherr SmartMonitoring Dashboard is not available in all countries. Check availability via the QR code by entering your model.

### Note

Use of the Liebherr SmartMonitoring Dashboard at <https://smartmonitoring.liebherr.com> requires installation of a SmartModule and a commercial MyLiebherr account. When commissioning online you can register using the login data you have, or register again and create a company account.

This setting establishes a wired connection between the appliance and the internet. The connection is controlled via the SmartModule. The appliance can be integrated via the browser-based [Liebherr SmartMonitoring Dashboard](#) and advanced options as well as customised methods relating to control, administration and monitoring can be used.

### Note

Accessories are available from Customer Service (see 9.3 Customer Service) and the Liebherr-Hausgeräte store at [home.liebherr.com/shop/de/deu/zubehor.html](http://home.liebherr.com/shop/de/deu/zubehor.html).

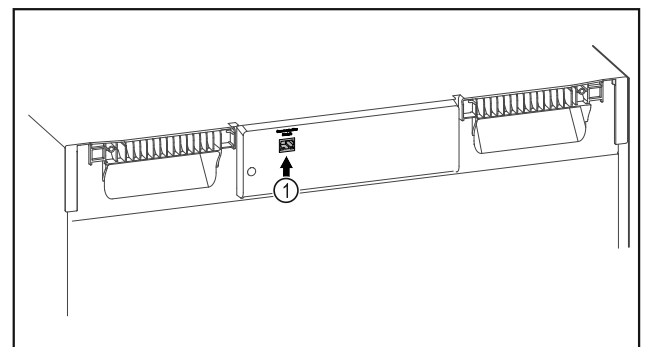


Fig. 140

Make sure that the following requirements are fulfilled:

- SmartModule Fig. 140 (1) is in use.
- A network cable is connected.
- The network is connected to the internet.

## Establishing connection

You commission and set up your SmartModule online via the [Liebherr SmartMonitoring Dashboard](#) on your web-enabled device.

On the [Liebherr SmartMonitoring Dashboard](#), information is also available about retrofitting the SmartModule.



Fig. 141

- ▶ Open the [Liebherr SmartMonitoring Dashboard](#) (see Fig. 141).

On the refrigerator or freezer:



Fig. 142

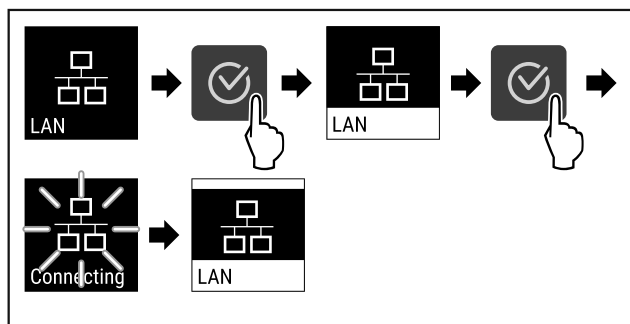


Fig. 143

- ▶ Carry out action steps according to the illustration.
- ▷ Connection is established: LAN connecting appears. The symbol flashes.
- ▶ Follow the [Liebherr SmartMonitoring Dashboard](#) instructions.
- ▷ Connection is established.

## Disconnecting



Fig. 144

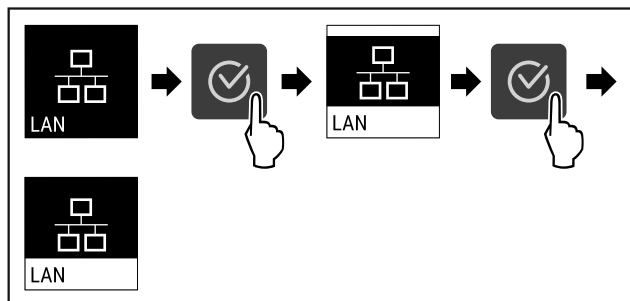


Fig. 145

- ▶ Carry out action steps according to the illustration.
- ▷ There is no connection.

## 6.2.18 Device information



Use this function to indicate the model name, index, serial number and service number of your device. You will need the device information when you contact customer service. (see 9.3 Customer Service)

This function also opens the Advanced menu. (see 3 Functionality of the Touch display)

### Indicating the device information



Fig. 146



Fig. 147

- ▶ Carry out action steps according to the illustration.
- ▷ Display indicates device information.

## 6.2.19 Operating hours



The display shows the appliance operating hours.

### Displaying operating hours

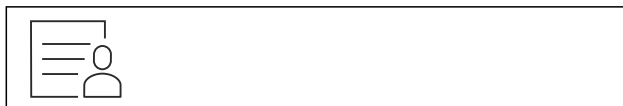


Fig. 148



Fig. 149

- ▷ The operating hours appear.

## 6.2.20 Software



Use this function to indicate the software version of your device.

### Indicating the software version



Fig. 150



Fig. 151

# Controls

- ▶ Carry out action steps according to the illustration.
- ▷ Display indicates software version.



## 6.2.21 Defrosting

The appliance defrosts automatically in normal mode.

Application:

- If there is excessive ice in the interior, the defrosting function can be started manually.
- Only the cooling part is defrosted.

### Manually starting automatic defrosting



Fig. 152

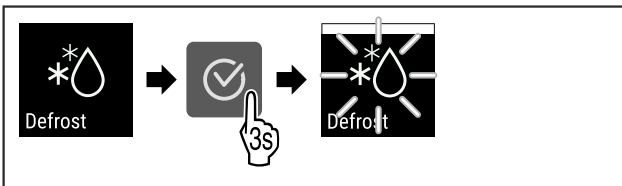


Fig. 153

- ▶ Carry out action steps according to the illustration.
- ▷ Automatic defrosting has been started. The appliance automatically switches back to normal mode once defrosting has finished.

### Note

If there is still ice in the interior after starting automatic defrosting several times, defrost the appliance manually. (see 8.1 Defrosting appliance)

### Cancelling manually started defrosting



Fig. 154

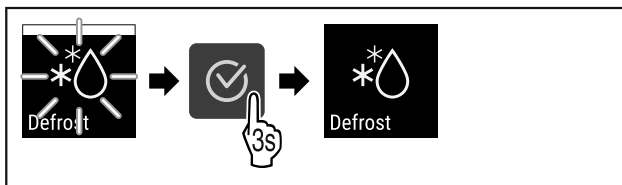


Fig. 155

- ▶ Carry out action steps according to the illustration.
- ▷ Manually started defrosting is cancelled. The appliance automatically switches back to normal mode.



## 6.2.22 Door alarm

Use this function to activate or deactivate the door alarm. The door alarm sounds if the door is open for too long. The door alarm is activated on delivery. You can set how long the door may be open before the door alarm sounds.

The following values can be set:

- 15 seconds

- 30 seconds
- 60 seconds
- 90 seconds
- 120 seconds
- 150 seconds
- 180 seconds
- Off

### Setting the door alarm



Fig. 156

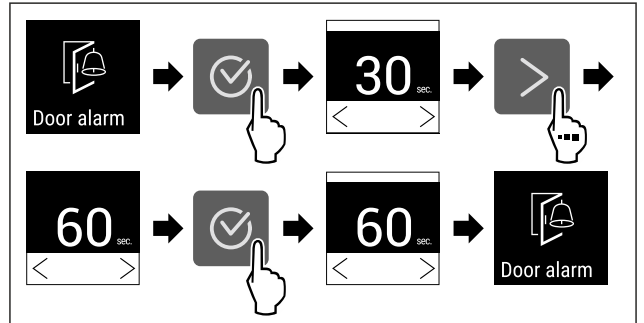


Fig. 158 Example illustration: Switch door alarm from 30 seconds to 60 seconds.

- ▶ Carry out action steps according to the illustration.
- ▷ The door alarm is set.

### Deactivating the door alarm

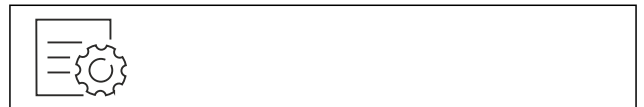


Fig. 159

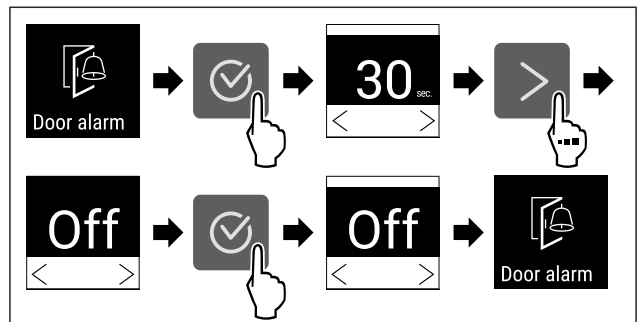


Fig. 160

- ▶ Carry out action steps according to the illustration.
- ▷ The door alarm is deactivated.



## 6.2.23 Light alarm

This setting allows the visual alarm messages in the display to also be emphasised by flashing appliance lighting.

### Activating light alarm



Fig. 161



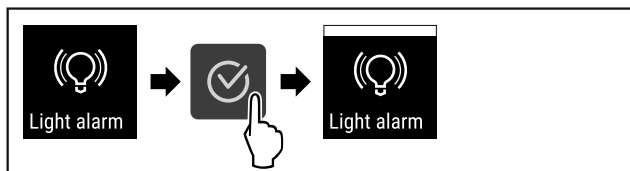


Fig. 162

- ▶ Carry out action steps according to the illustration.
- ▷ The light alarm is activated.

### Deactivating light alarm



Fig. 163

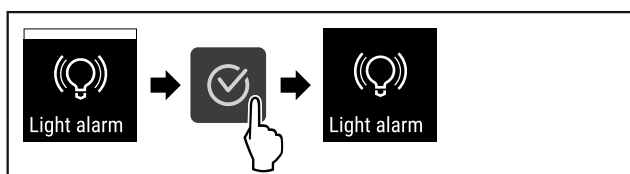


Fig. 164

- ▶ Carry out action steps according to the illustration.
- ▷ The light alarm is activated.

### 6.2.24 Demo mode



Demo mode is a special feature for dealers who want to demonstrate appliance features. If you activate demo mode, all refrigeration functions are deactivated.

If you switch on your appliance and a “D” appears on the status display, demo mode is already activated.

If you activate and then deactivate demo mode, the appliance will be reset to factory defaults. (see 6.2.25 Resetting to factory settings )

### Activating demo mode



Fig. 165

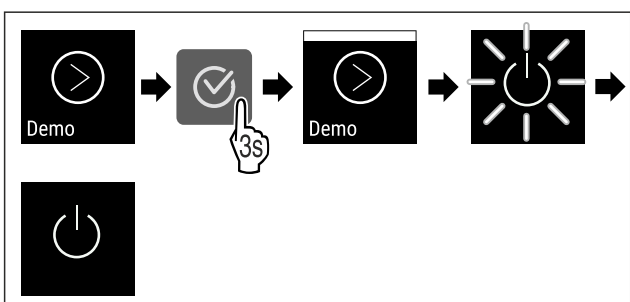


Fig. 166

- ▶ Carry out action steps according to the illustration.
- ▷ Demo mode is activated.
- ▷ Appliance is switched off.
- ▶ Switch on the appliance. (see 4.14 Switching on appliance (first use))
- ▷ “D” appears in the status display.

### Deactivating demo mode



Fig. 167

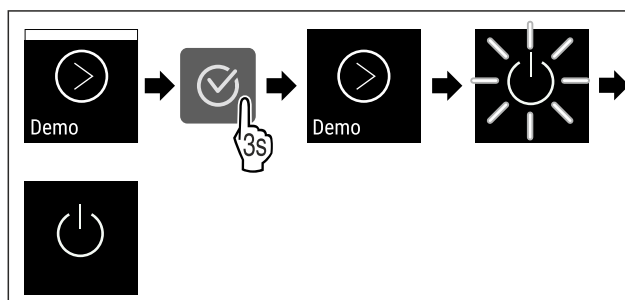


Fig. 168

- ▶ Carry out action steps according to the illustration.
- ▷ Demo mode is deactivated.
- ▷ Appliance is switched off.
- ▶ Switch on the appliance. (see 4.14 Switching on appliance (first use))
- ▷ Appliance is reset to factory settings.

### 6.2.25 Resetting to factory settings



Use this function to reset all settings to factory defaults. All settings you have made so far are reset to their original settings.

#### Performing a reset



Fig. 169

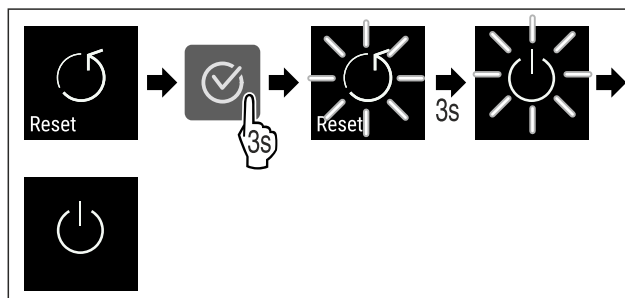


Fig. 170

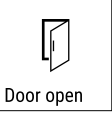

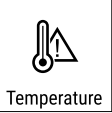


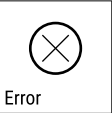

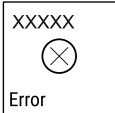
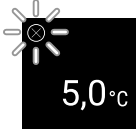







- ▶ Carry out action steps according to the illustration.
- ▷ Device is reset.
- ▷ Device is switched off.
- ▶ Restart the device. (see 4.14 Switching on appliance (first use))

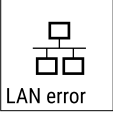

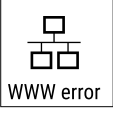

## 6.3 Messages

### 6.3.1 Warnings

Warnings are issued by means of an audio signal and visually via a symbol on the display. The signal gets louder until the warning is acknowledged.





# Controls

| Message  | Cause   | Remedy  |
|--|---|---|
|  <p>Door open</p> <p><b>Door open</b></p>           | <p>This message appears if the door is open for too long.</p>   | <p>Close the door.</p> <p>Press the confirmation button.</p> <p>Alarm is ended.</p> <p><b>Note</b></p> <p>You can set how long it takes for this message to appear (see 6.2.22 Door alarm ).</p>   |
|  <p>Temperature</p> <p><b>Temperature alarm</b></p> | <p>This message appears if the temperature does not match the set temperature. Reasons for the differences in temperature can be:</p> <ul style="list-style-type: none"> <li>- Warm items for refrigeration have been placed inside.</li> <li>- Too much warm room air flowed in when rearranging and removing refrigerated products.</li> </ul> <p>The power was cut off for a prolonged period.</p> | <p>Press the confirmation button.</p> <p>Warmest temperature is displayed.</p>  <p>Press the confirmation button.</p> <p>The current temperature flashes and the display alternates with the temperature alarm symbol until the set temperature is reached.</p>  <p>Check the quality of the refrigerated goods.</p>  |
|  <p>Error</p> <p><b>Error</b></p>                   | <p>The appliance is defective, there is an appliance fault or a component of the appliance is faulty.</p>   | <p>Transfer refrigerated goods.</p> <p>Press the confirmation button.</p> <p>Error code is displayed.</p>   <p>Press the confirmation button.</p> <p>If present, another error code is indicated.</p> <p><b>or</b></p> <p>Status screen with flashing error symbol is displayed</p> <p>Pressing the navigation buttons indicates error code(s) again.</p> <p>Note the error code(s) and contact customer service.</p>  |
|  <p>Power</p> <p><b>Power failure</b></p>         | <p>The message appears after an interruption in the power supply if the temperature is above the alarm limit when the power returns.</p>  | <p>Press the confirmation button.</p> <p>The warmest temperature is displayed.</p>  <p>Press the confirmation button.</p> <p>Alarm is cancelled and current temperature is indicated.</p>  <p>Check the quality of the refrigerated goods.</p>  |
|  <p>WiFi error</p> <p><b>WLAN error</b></p>       | <p>WLAN connection is interrupted.</p>  | <p>Check the connection.</p> <p>Press the confirmation button.</p> <p>Alarm is ended.</p>    |
|  <p>WWW error</p> <p><b>WLAN WWW error</b></p>    | <p>The message appears if there is no Internet connection via WLAN.</p>   | <p>Check the connection.</p> <p>Press the confirmation button.</p> <p>Alarm is ended.</p>    |

| Message  | Cause   | Remedy   |
|--|---|--|
| <br><b>LAN error</b>     | LAN connection is interrupted.                                  | Check connection and network cable.<br>Press the confirmation button.<br>Alarm is ended.  |
| <br><b>LAN WWW error</b> | The message appears if there is no Internet connection via LAN. | Check the connection.<br>Press the confirmation button.<br>Alarm is ended.                |

## 6.3.2 Reminder

Reminders appear when you are being asked to do something. They are issued by means of an audio signal and visually via a symbol on the display. Acknowledge the message by pressing the confirmation button.

| Message   | Cause  | Remedy  |
|---|--|---|
| <br><b>Maintenance reminder</b> | The message appears when the timer for the set maintenance interval has expired. | <br>Press the confirmation button.<br>Alarm is ended.<br><b>Note</b><br>The maintenance interval can be set (see 6.2.12 Maintenance interval reminder).                                |
| <br><b>Recording reminder</b> | This message appears when the temperature recording memory (999 hours) is full.  | <br>Press the confirmation button.<br>Alarm is ended.<br>The oldest data is overwritten.<br><b>Note</b><br>The temperature recording can be reset (see 6.2.5 Temperature recording). |

## 7 Features

### 7.1 Safety lock

The lock in the appliance door is equipped with a safety mechanism.

#### 7.1.1 Locking appliance

##### Lock freezer compartment.

- ▶ Insert key.
- ▶ Turn key clockwise by 45°.
- ▷ The freezer compartment is locked.

##### Lock freezer and fridge compartment.

- ▶ Insert key.
- ▶ Turn key clockwise by 90°.
- ▷ The freezer and fridge compartment is locked.

#### 7.1.2 Unlocking appliance

##### Unlock fridge compartment.

- ▶ Insert key.

- ▶ Turn key anticlockwise by 45°.

- ▷ The fridge compartment is unlocked.

##### Unlock freezer and fridge compartment.

- ▶ Insert key.
- ▶ Turn key anticlockwise by 90°.
- ▷ The freezer and fridge compartment is unlocked.

## 8 Maintenance

### 8.1 Defrosting appliance



#### WARNING

Improper defrosting of the appliance!  
Injuries and damage.

- ▶ Do not use mechanical equipment or other methods to speed up the defrosting process other than those recommended by the manufacturer.
- ▶ Do not use electrical heating or steam-cleaning appliances, naked flames or defroster sprays to defrost.
- ▶ Do not use sharp objects to remove ice.

Defrosting is performed automatically. The defrost water drains through the opening and evaporates.

To maintain the functionality of the appliance, we recommend defrosting it when there is a high buildup of ice. Icing in the interior is determined by the location (e.g. high humidity), settings on the appliance and incorrect user behaviour.

If the automatic defrosting cycle is insufficient:

- ▶ Start automatic defrosting manually. (see 6.2.21 Defrosting )

If the problem persists, defrost the appliance manually:

- ▶ Switch off appliance. (see 6.2.2 Switching appliance on and off )
- ▶ Pull out mains plug.
- ▶ Store refrigerated items elsewhere.
- ▶ Leave appliance door open during defrosting process.
- ▶ Soak up remaining defrost water with a cloth, clean drain opening and the appliance.

### 8.2 Cleaning the appliance

#### 8.2.1 Preparing



#### WARNING

Short-circuit hazard due to live parts!  
Electric shock or damage to the electronics.

- ▶ **Switch off the appliance.**
- ▶ Pull out mains plug or switch off fuse.



#### WARNING

Risk of fire

- ▶ Do not damage the refrigeration circuit.
- ▶ Empty the appliance.
- ▶ Pull out the mains plug.
- ▶ Observe the notes on transporting the appliance. (see 4.3 Transporting appliance)

#### 8.2.2 Cleaning housing

##### NOTICE

Improper cleaning!  
Damage to the appliance.

- ▶ Only use soft cleaning cloths and ph-neutral all-purpose cleaners.
- ▶ Do not use abrasive sponges or steel wool which may cause scratches.
- ▶ Do not use any sharp or abrasive cleaning agents, nor any that contain sand, chloride or acid.



#### WARNING

Risk of injury and damage as a result of hot steam!  
Hot steam can lead to burns and can damage the surfaces.

- ▶ Do not use any steam cleaners!

##### NOTICE

Risk of damage due to short circuit.

- ▶ When cleaning the appliance, make sure no water gets into the electrical components.
- ▶ Wipe the housing down with soft, clean cloth. If very dirty, use lukewarm water with a neutral cleaner. Glass surfaces can also be cleaned with glass cleaner.
- ▶ Clean condenser coil each year. If the condenser coil is not cleaned, this significantly reduces the efficiency of the appliance.

#### 8.2.3 Cleaning fan cover

##### NOTICE

Risk of damage due to short circuit.

- ▶ When cleaning the appliance, make sure no water gets into the electrical components.

##### NOTICE

Improper cleaning!  
Damage to the appliance.

- ▶ Only use soft cleaning cloths and ph-neutral all-purpose cleaners.
- ▶ Do not use abrasive sponges or steel wool which may cause scratches.
- ▶ Do not use any sharp or abrasive cleaning agents, nor any that contain sand, chloride or acid.

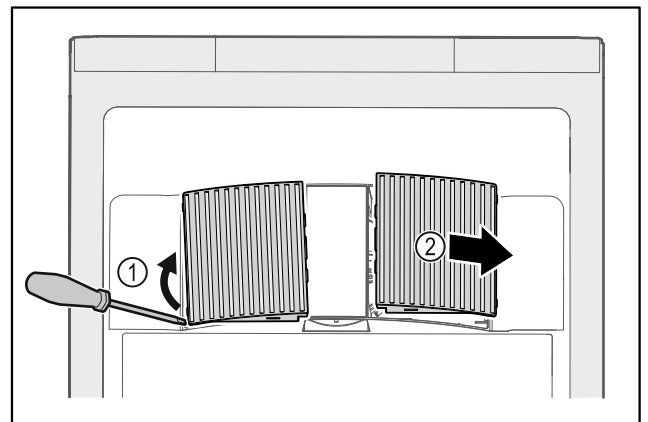


Fig. 171

- ▶ Carefully lever out fan covers from the side Fig. 171 (1) and remove towards the front Fig. 171 (2).
- ▶ Rinse the air slots of the fan covers under running water. If very dirty, use lukewarm water with a neutral cleaner.
- ▶ Leave fan covers to air-dry completely.
- ▶ Reattach fan covers to the appliance.

#### 8.2.4 Cleaning interior



#### WARNING

Short-circuit hazard due to live parts!  
Electric shock or damage to the electronics.

- ▶ **Switch off the appliance.**
- ▶ Pull out mains plug or switch off fuse.



**WARNING**

Risk of injury and damage as a result of hot steam!  
Hot steam can lead to burns and can damage the surfaces.  
▶ Do not use any steam cleaners!

**NOTICE**

Improper cleaning!  
Damage to the appliance.  
▶ Only use soft cleaning cloths and ph-neutral all-purpose cleaners.  
▶ Do not use abrasive sponges or steel wool which may cause scratches.  
▶ Do not use any sharp or abrasive cleaning agents, nor any that contain sand, chloride or acid.

**Note**

▶ Defrost water drain (see 1.2 Overview of appliance and equipment) : Remove deposits using a thin material (for example a cotton bud).

**Note**

Do not damage or remove the type plate on the inside of the appliance. The type plate is important for Customer Service. (see 9.3 Customer Service)

- ▶ Open the door.
- ▶ Empty the appliance.
- ▶ Clean interior and equipment parts with lukewarm water and a little detergent. Do not use any gritty or acidic cleaning agent or any chemical solvent.

**8.2.5 After cleaning**

- ▶ Wipe appliance and equipment parts dry.
- ▶ Connect and switch on appliance.  
Once the temperature is sufficiently cold:
- ▶ put in items for refrigeration goods.
- ▶ Repeat cleaning regularly.
- ▶ Clean and remove dust from the refrigeration unit with heat exchanger once a year.

| Maximum load per shelf <sup>A)</sup> |        |        |
|--------------------------------------|--------|--------|
| Appliance width                      | 600 mm | 750 mm |
| Grid shelves                         | 45 kg  | 60 kg  |
| Glass shelf                          | 40 kg  | 40 kg  |
| Wooden shelf                         | 45 kg  | 60 kg  |
| Drawer                               | 50 kg  | 50 kg  |

A) Heavier loads may result in a slight bending of the shelves.

| Net capacity  |
|---|
| See net capacity on the type plate. (see 1.2 Overview of appliance and equipment) |

| Lighting  |              |
|---|--------------|
| Energy efficiency class <sup>A)</sup>                                     | Light source |
| This product contains one or more energy efficiency class F light sources | LED          |

A) The appliance may contain light sources with different energy efficiency classes. The lowest energy efficiency class is indicated.

**9.2 Technical fault**

Your appliance is designed and built to ensure it works reliably and has a long service life. In the unlikely event that a fault occurs during operation, please check whether the fault is due to an operating error. If this is the case, you will be charged for the cost incurred even if this falls within the warranty period.

You can fix the following faults yourself.

**9.2.1 Appliance function**

**9 Customer help**

**9.1 Technical specifications**

| Temperature range |                 |
|-------------------|-----------------|
| Cooling           | +1 °C to +15 °C |
| Freezing          | -9 °C to -26 °C |

| Defect                               | Cause   | Remedy   |
|--------------------------------------|---|--|
| <b>The appliance is not working.</b> | → The appliance is not switched on.                       | ▶ Switch on the appliance.   |
|                                      | → The mains plug is not properly plugged into the socket. | ▶ Check the mains plug.  |
|                                      | → There is something wrong with the fuse in the socket.   | ▶ Check fuse.  |
|                                      | → Power cut   | ▶ Keep the appliance closed.<br>▶ Protect food: Lay cold storage accumulator on top of the food or use another freezer if the power is off for a prolonged period.<br>▶ Do not re-freeze defrosted food. |

# Shutting down

| Defect  | Cause   | Remedy   |
|---|---|--|
|   | → The IEC socket is not plugged into the appliance correctly.                         | ▶ Check the IEC socket.  |
| <b>Temperature is not cold enough.</b>  | → The appliance door is not closed properly.  | ▶ Close appliance door.  |
|   | → Ventilation is not sufficient.  | ▶ Clear ventilation grille and clean it.   |
|   | → The ambient temperature is too high.  | ▶ Ensure the correct ambient conditions: (see 1.4 Range of use of appliance)   |
|   | → The appliance was opened too many times or for too long.                            | ▶ Wait to see if the appliance goes back to the required temperature by itself. If not, contact Customer Service. (see 9.3 Customer Service) |
|   | → The temperature is set incorrectly.   | ▶ Set a colder temperature and check after 24 hours.   |
|   | → The appliance is too close to a heat source (oven, radiator, etc).                  | ▶ Change where the appliance or the heat source are located.   |
| <b>Frost formation on the housing frame and/or on the inside of the door.</b> | → Door seal is damaged.   | ▶ Replace the door seal.   |
|   | → You have set the temperature too cold or you have not opened the door often enough. | ▶ The appliance is not malfunctioning; simply remove any condensation with a cloth.  |

## 9.3 Customer Service

First check whether you can remedy the fault yourself. If this is not the case, please contact Customer Service.

You can find the address in the enclosed brochure "Liebherr-Service" or at [home.liebherr.com/service](http://home.liebherr.com/service).



### WARNING

Unprofessional repair!  
Injuries.

- ▶ Have any repairs and action - not expressly specified - on the appliance and mains cable carried out by service personnel only. (see 8 Maintenance)
- ▶ A damaged mains cable may only be replaced by the manufacturer, the manufacturer's Customer Service or a similarly qualified person.
- ▶ In the case of appliances with an IEC connector, the change may be made by the customer.

### 9.3.1 Contacting Customer Service

Make sure you have the following appliance data at the ready:

- Appliance name (model and index)
- Service no. (Service)
- Serial no. (S no.)
- ▶ Access the appliance information via the display (see 6.2.18 Device information ).
- or-
- ▶ Refer to the type plate for appliance information. (see 9.4 Type plate)
- ▶ Note down appliance information.
- ▶ Inform Customer Service: Report faults and the appliance information.
- ▷ This will help us to provide a fast and focussed service.
- ▶ Follow any further instructions provided by Customer Service.

## 9.4 Type plate

The type plate is inside the appliance. See appliance overview.

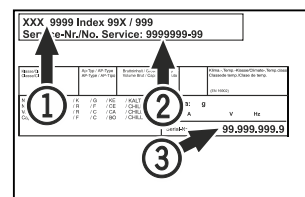


Fig. 172

- (1) Appliance designation
- (2) Service No.
- (3) Serial No.

## 10 Shutting down

- ▶ Empty the appliance.
- ▶ Switch off the appliance.
- ▶ Pull the mains plug out of the socket.
- ▶ Remove the IEC socket if required: Pull the IEC socket out of the appliance plug and move it to the left and right at the same time.
- ▶ Clean appliance (see 8.2 Cleaning the appliance) .
- ▶ If present: Remove the covers and insulation from the sensor feed-through to prevent mould forming.
- ▶ Leave the door open so that no bad odours form.

### Note

Damage to the appliance and malfunctions!

- ▶ After shutting down, only store the appliance at the permitted room temperature of between -10 °C and +50 °C.

## 11 Disposal

### 11.1 Preparing appliance for disposal



Liebherr uses batteries in some of its appliances. In the EU, for environmental reasons, legislation obliges the end user to remove these batteries before disposing of old appliances. If your appliance contains batteries, a corresponding notice is attached.

**Lamps** If you can remove the lamps yourself without destroying them, also remove these before disposal.

- ▶ Take the appliance out of operation.
- ▶ If possible: remove lamps without destroying them.

### 11.2 Disposing of the appliance in an environmentally friendly manner



The appliance still contains valuable materials and must be disposed of separately from unsorted municipal waste.



Dispose of batteries separately from the old appliance. To do this, you can return the batteries free of charge to retailers as well as recycling centres and collection centres for recyclable materials.

**Lamps** Dispose of removed lamps via the respective collection systems.

**For Germany:** You can dispose of the appliance free of charge via the class 1 collection containers at the local recycling and recyclable material collection centres. When purchasing a new fridge/freezer, if the sales area > 400 m<sup>2</sup>, retailers will also take back the old appliance free of charge.



#### WARNING

Leaking coolant and oil!  
Fire. The coolant contained in the appliance is eco-friendly, but also flammable. The oil contained in the appliance is flammable. Escaping coolant and oil can ignite if the concentration is high enough and in contact with an external heat source.

- ▶ Do not damage the pipelines of the coolant circuit and the compressor.

- ▶ Observe the notes on transporting the appliance. (see 4.3 Transporting appliance)
- ▶ Transport the appliance without damaging it.
- ▶ Dispose of batteries, lamps and the appliance according to the above specifications.

## 12 Additional information

Further information on warranty conditions can be found in the enclosed service brochure or on the Internet at <https://home.liebherr.com>.



[home.liebherr.com/fridge-manuals](https://home.liebherr.com/fridge-manuals)

**EN** Refrigerator and freezer  
ORIGINAL OPERATOR'S MANUAL

Issue date: 20250220

**Part number index: 7080782-00**

Liebherr-Hausgeräte GmbH  
Memminger Straße 77-79  
88416 Ochsenhausen  
Deutschland