

EN-US

LR 1200.1

LR 1004.03.08
www.liebherr.com

LIEBHERR

Crawler cranes

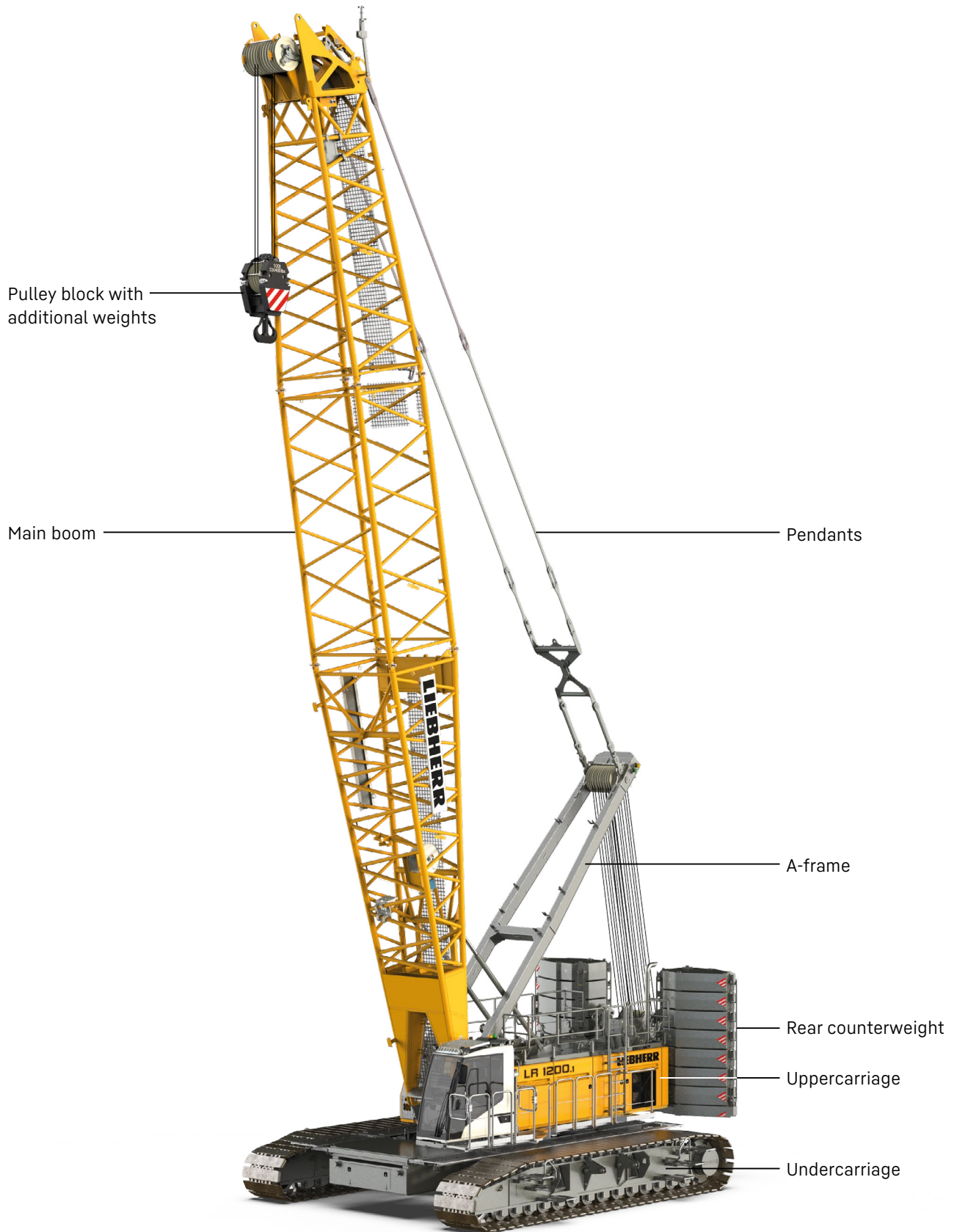


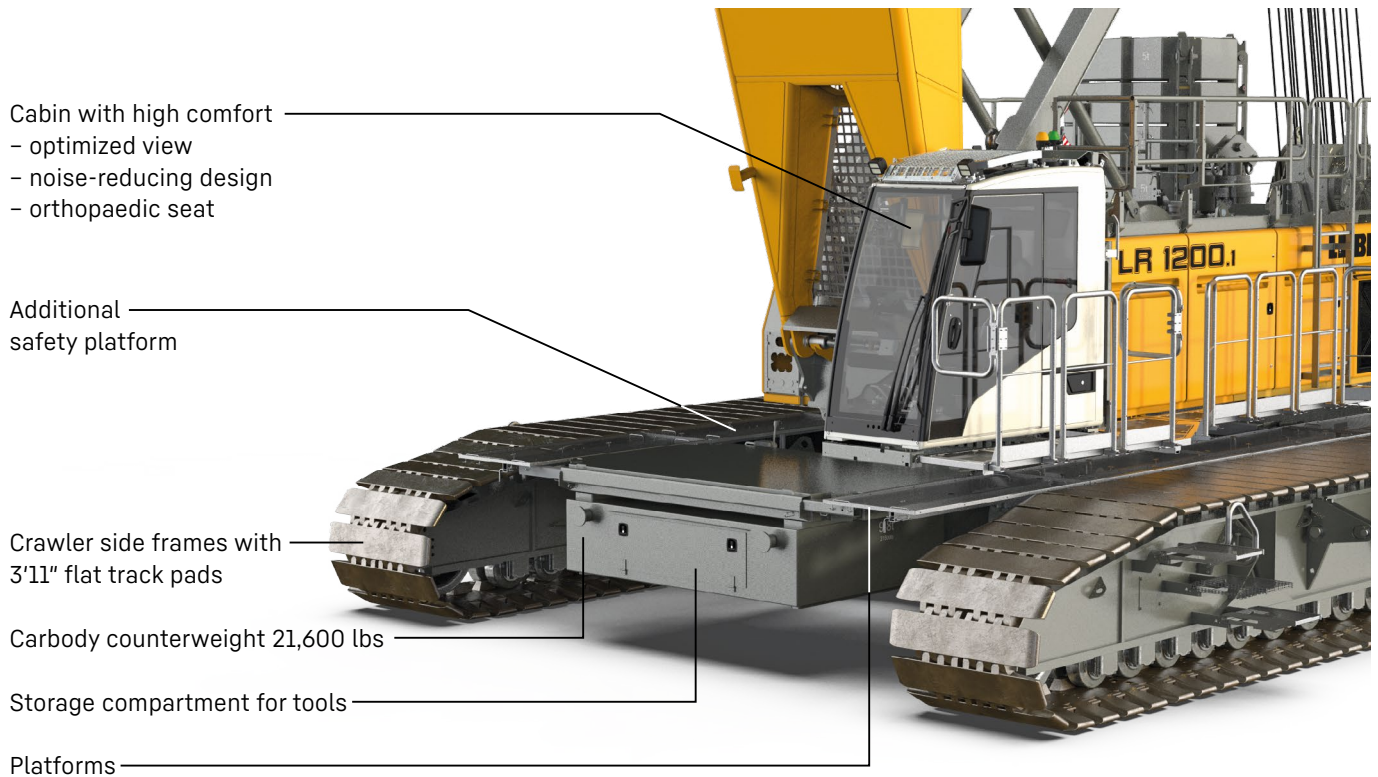
Concept and characteristics	3
Technical description	6
Dimensions	8
Transport dimensions and weights	9
Self-assembly system	14
Boom combinations	16
Main boom 2320.xx	18
Main boom 2320.xx	18
Luffing jib 1713.xx	20
Luffing jib 1916.xx	26
Fixed jib 1008.xx	32
Fixed jib 0806.xx	35
Fixed jib 0906.21	38

Remarks

- The load capacities stated are valid for lifting operation only (corresponding with crane classification according to ISO 4301-1, crane group A1).
- Machine is standing on firm, horizontal ground.
- The weight of the lifting device (pulley block, hoist ropes, shackles, etc.) must be deducted from the load capacity.
- Additional equipment on boom (e.g. walkways) must be deducted from the load capacity.
- The max. admissible wind speed can be preselected in the LML software and referred to in the load chart.
- Working radii are measured from centre of swing ring and under load.
- The lifting capacities are valid for 360 degrees of swing.
- Calculation of stability under load is based on ANSI/ASME B 30.5 load ratings as well as ISO 4305 Table 2 and tested according to SAE J765 and SAE J987.
- Weights may vary depending on the delivered configuration of the machine, filling level of the tanks, as well as generally valid tolerances.
- The illustrations in this brochure may include options which are not within the standard scope of supply of the machine.

Concept and characteristics





High performance

A strong, efficient and reliable diesel engine of the newest generation provides high performance and enables several movements to be carried out simultaneously.

Ground pressure

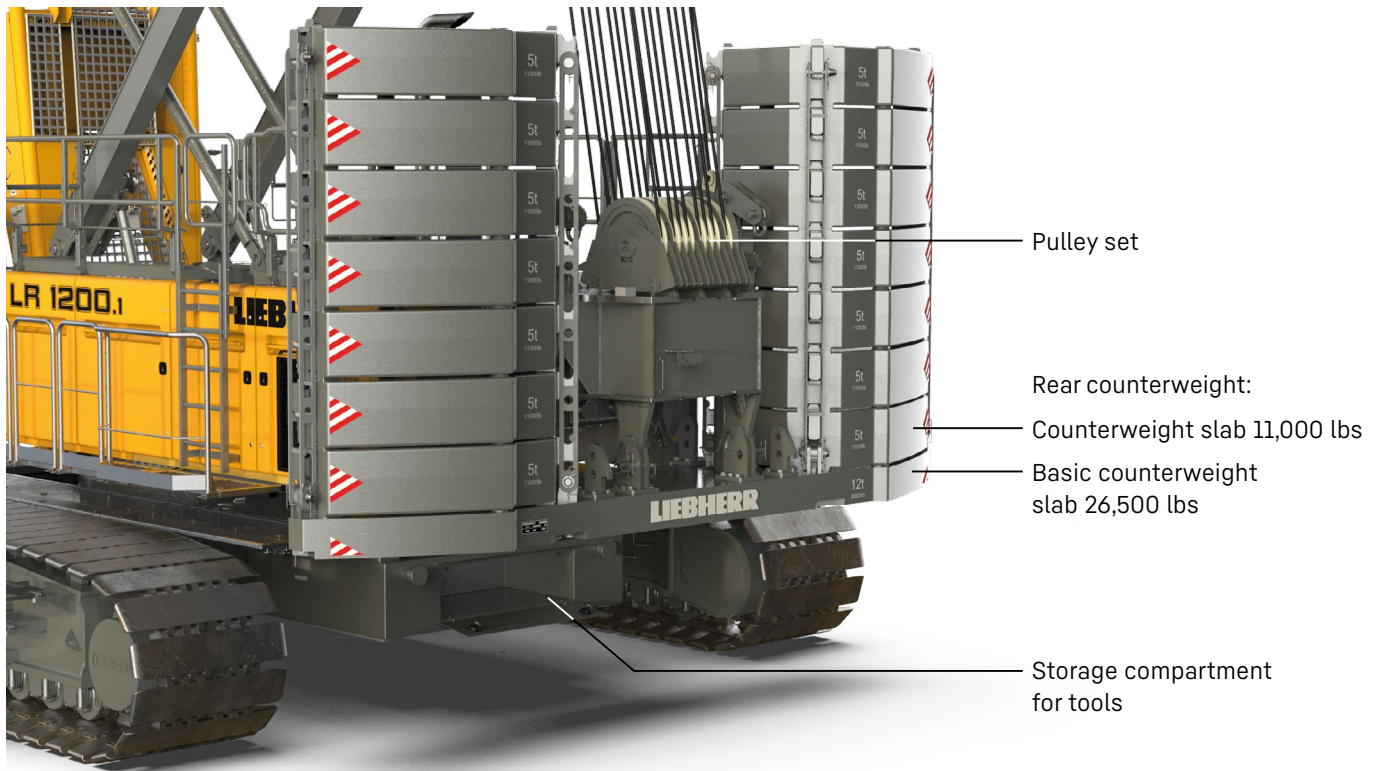
The actual ground pressure is calculated according to the configuration and position of the machine and displayed in the operator's cabin. Using the optional Liebherr Crane Planner the actual ground pressure can already be calculated and displayed in the planning stage.

Cabin with high comfort

Optimised field of vision combined with enhanced comfort: an orthopaedic operator's seat with heating and cooling functions, as well as precise and ergonomic controls are included.

Control system

Easy and intuitive handling of control, service and machine functions through a large, clear colour monitor. Built for extreme environmental conditions.



Pulley set

Rear counterweight:

Counterweight slab 11,000 lbs

Basic counterweight slab 26,500 lbs

Storage compartment for tools

Efficient self-assembly system and short assembly times

The self-assembly system enables safe, independent and quick assembly/disassembly of the crawler side frames, the carbody and rear counterweights, as well as boom elements.

Mobility

Crane parts are optimized for transportation. The maximum transport width is 9.84 ft.

Easy service

The design ensures easy maintenance and service as well as safe access to the components.

Boom/jib

A variety of boom systems and configurations allow for optimum operation on the most diverse jobsites.

Technical description



Diesel engine

Power rating according to ISO 9249	230 kW (308 hp) at 1700 rpm
Engine type	Liebherr D 944 A7-05
Fuel tank capacity	209 gal with continuous level indicator and reserve warning
Exhaust certification	97/68 EC Stage IV; EPA/CARB Tier 4f 97/68 EC Stage V; EPA/CARB Tier 4f ECE-R.96 Power Band H non-certified emission standard



Noise measurement data and vibration

Noise emission	according to 2000/14/EC directive
Emission sound pressure level L_{PA}	74.0 dB(A) (in the cabin)
Guaranteed sound power level L_{WA}	105 dB(A) (of the machine)
Vibration transmitted to the machine operator	< 8.20 ft/s ² (to the hand-arm system) < 1.64 ft/s ² (to the whole body)



Hydraulic system

Hydraulic pumps	double axial displacement pump in open loop hydraulic system allows all functions to be operated simultaneously automatic working pressure cut-off to minimize peak pressure
Hydraulic oil tank capacity	172 gal
Max. working pressure	5,076 PSI
Hydraulic oil	electronic monitoring of alle filters use of synthetic environmentally friendly oil



Control

Control system	includes all control and monitoring functions, designed to withstand extreme environmental conditions and heavy construction tasks
Display	high resolution monitor in the operator's cabin, clear display of complete machine operating data, warnings and failure indications in the required language
Operation	several movements can be performed simultaneously thanks to electro-hydraulic proportional control, all categories of loads can be positioned with utmost precision



Crawlers

Drive system	with fixed axial piston hydraulic motors
Crawler side frames	maintenance-free, with hydraulic chain tensioning device
Brake	hydraulically released, spring-loaded multi-disc holding brake
Drive speed	0-0.994 mph
Flat track pads	width 3.9 ft



Swing gear

Drive system	with fixed axial piston hydraulic motors, planetary gearbox, pinion
Swing ring	roller bearing with external teeth
Brake	hydraulically released, spring-loaded multi-disc holding brake
Swing speed	0-3 rpm continuously variable
Speed control	both swing modes are possible - speed control or free swing for speed control: a multi-disc holding brake locks automatically at zero swing motion.



Hoisting gear

Standard crane winches 1 + 2	Internal low-maintenance planetary gearbox in oil bath, load support by the hydraulic system, spring-loaded, multi-disc holding brake, pressure controlled, variable flow hydraulic motors for the main winches, full utilisation of engine power as the winch speed is automatically adjusted to suit the respective line pull
Line pull in the 7th layer	26,977 lbf
Rope diameter	26 mm
Drum diameter	1.9 ft
Rope speed	0-446 ft/min
Rope capacity in 7 layers	1604 ft
Option - winch with free fall	Free fall: clutch and braking functions are provided by the service brake (low wear and maintenance-free multi-disc brake in compact design)



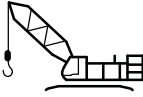



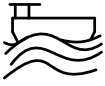
Boom/jib luffing winches

Main boom	
Line pull	max. 40,466 lbf
Rope diameter	24 mm
Boom luffing	15-86° in 130 s
Jib	
Line pull	max. 23,605 lbf
Rope diameter	20 mm
Jib luffing	15-78° in 51 s

Operating weight

Composition of operating weight	basic machine with crawlers winches 1 + 2 (incl. ropes), A-frame 66 ft main boom, consisting of boom foot (33 ft), boom head (23 ft) and boom section (10 ft) 181,440 lbs rear counterweight (14 × 11,000 lbs + 1 × 26,500 lbs + 660 lbs) 79,400 lbs carbody counterweight 551,200 lbs pulley block
Total weight	approx. 462,971 lbs

Operation modes

	 Lifting mode	 Grab mode	 Personnel lifting mode
 Land	✓	✓	✓
 Floating structure (barge operation)	✓	✓	✓ *

* only valid for jack-up barges

Optional equipment

Basic machine

Main winches 26,455 lbs with free fall

Painting in customer design

Load hook 27,560 / 88,100 / 176,300 / 220,400 / 352,700 / 551,200 lbs

Economy and ecology

Eco-Silent Package

Aux. power unit (APU, 2.8 kW)

Boom/jib

Luffing jib: luffing winch

Carbon fibre pendants

Boom/jib other

Walkway for main boom foot, incl. fall protection

Walkway for main boom head, incl. fall protection

Rope guide for main boom walkway, incl. fall protection

Additional fall protection harness for 1 person

Walkways for main boom sections 10 / 20 / 40 ft

Walkways for main boom sections 10 / 20 / 40 ft, incl. fall protection

Application packages

Operation mode: personnel lifting (O)

Operation mode: barge operation (O)

Operation mode: foundation work (O)

Operation mode: wind speed pre-selection (S)

Operation mode: travelling with load (S)

Winch synchronization

Radio remote control

Rope reeving function via radio remote control

Assembly radio remote control

Use of luffing jib winch as auxiliary winch

Tagline winch 4,409 lbs free fall

Main winch constant tension for one winch

Two hook operation

Cabin elevator 20 ft hydraulic

Special features

Crane Planner 2.0

LiDAT

Self-assembly system

Jack-up system standard / telescopic

Self-assembly system counterweight

Self-assembly cylinder

Reeving winch

Track shifting hydraulic

Service package

Refuelling pump diesel / AdBlue

Cold package -25 °C / -40 °C

Hydraulic oil bypass filter

Central lubrication swing ring bearings / outside

Liebherr hydraulic oil plus (longlife & bio)

Liebherr hydraulic oil plus arctic (longlife & bio)

Liebherr hydraulic oil plus arctic (longlife)

Safety features

Assistance system: Boom Up-and-Down Assistant

Assistance system: Horizontal Load Path

Assistance system: Vertical Line Finder

Assistance system: Ground Pressure Indication and Visualization

Rear and side view cameras

Winch camera

Zoom camera at boom head

Safety upgrade APAVE

Platforms and railings on uppercarriage 1.9 ft

Additional access ladder for boom assembly

Railings on rooftop foldable

Railings for cabin platform

Vandalism cabin protection

Cabin protection roof, FOPS level 1

Lifting height indication for both hoist winches

Plug&Play diesel-hydraulic back-up unit 18.4 kW

Swing and boom radius limit device

Aircraft warning light

Swing warning light

Lightning rod

Mechanical angle display

Air intake shut-off valve

Access control

Operator's comfort

Additional access ladder

Additional floodlights

Cabin air conditioner

Cabin tilting device hydraulic

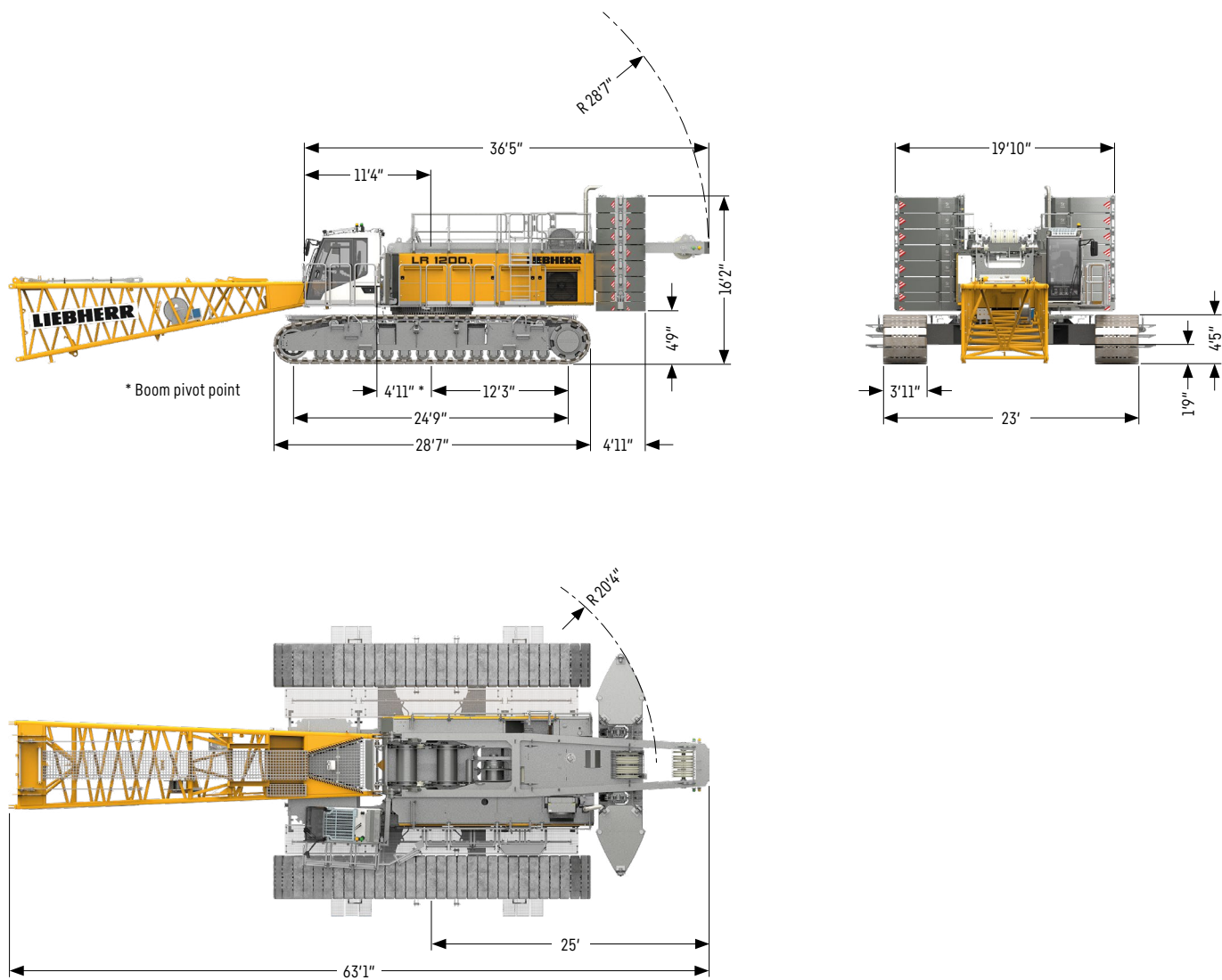
Gear oil level warning

Litronic additional language

(S) standard, (O) option

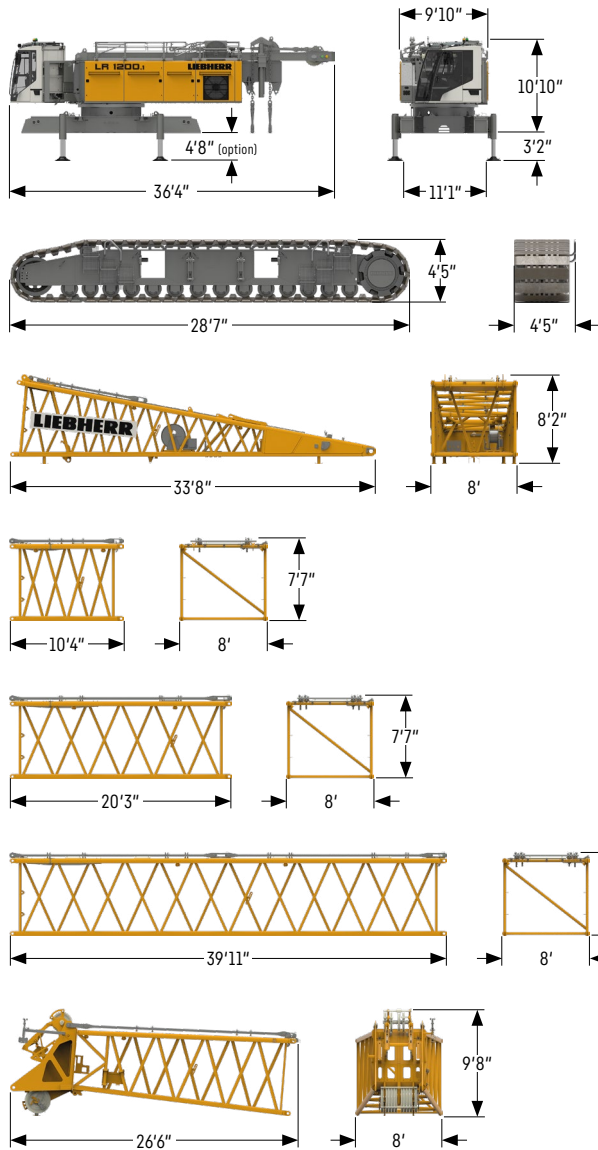
Dimensions

Basic machine with undercarriage



Transport dimensions and weights

Basic machine and main boom 2320.xx



Basic machine

Weight without hoist rope	lbs	82,074
Weight of hoist ropes	lbs/ft	2.28
with A-frame 1, winches 1 + 2 (2x 26,977 lbf), without boom foot, without rear counterweight, without carbody counterweight and crawler side frames		

Crawler side frame

Weight flat track pads 3.9 ft	lbs	43,388
-------------------------------	-----	--------

Boom foot 33 ft (No. 2320.25)

Weight including winch	lbs	10,642
Weight without winch	lbs	8,239

Boom section 10 ft (No. 2320.23)

Weight including boom pendants	lbs	1,920
Weight including boom and jib pendants	lbs	1,894

Boom section 20 ft (No. 2320.20)

Weight including boom pendants	lbs	2,601
Weight including boom and jib pendants	lbs	2,939

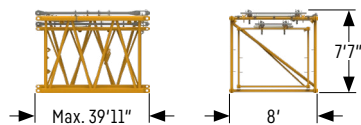
Boom section 40 ft (No. 2320.20)

Weight including boom pendants	lbs	4,650
Weight including boom and jib pendants	lbs	5,318

Boom section 23 ft (No. 2320.23)

Weight including boom pendants	lbs	7,965
--------------------------------	-----	-------

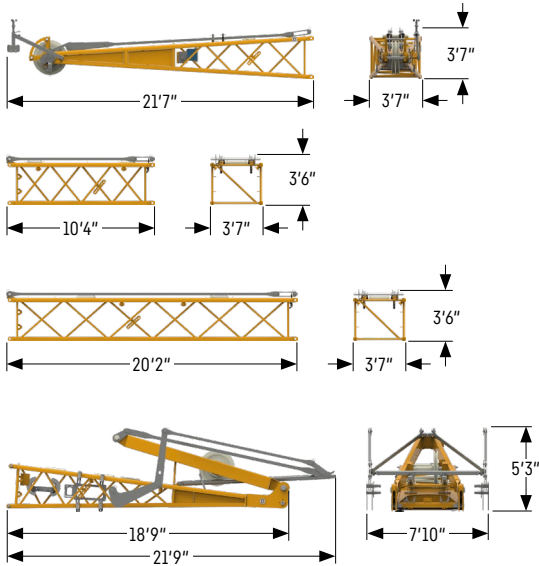
Transport option 2320.xx / 1916.xx



Transport option (No. 2320.xx / 1916.xx)

No. 2320.xx / 1916.xx	ft	10/10	20/20	40/40
Weight including pendants	lbs	3,202	4,550	8,155

Fixed jib 1008.xx



Jib head 18 ft (No. 1008.20)

Weight including pendants	lbs 1,925
---------------------------	-----------

Jib section 10 ft (No. 1008.17)

Weight including pendants	lbs 589
---------------------------	---------

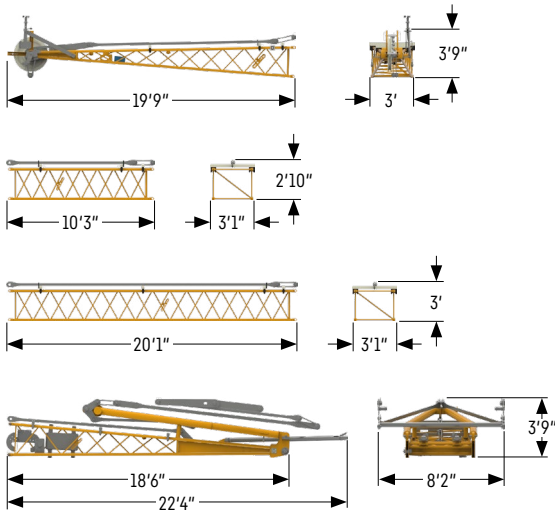
Jib section 20 ft (No. 1008.17)

Weight including pendants	lbs 988
---------------------------	---------

Jib foot 18 ft with A-frame (No. 1008.20)

Weight including pendants	lbs 4,652
---------------------------	-----------

Fixed jib 0806.xx



Jib head 18 ft (No. 0806.16)

Weight including pendants	lbs 974
---------------------------	---------

Jib section 10 ft (No. 0806.15)

Weight including pendants	lbs 311
---------------------------	---------

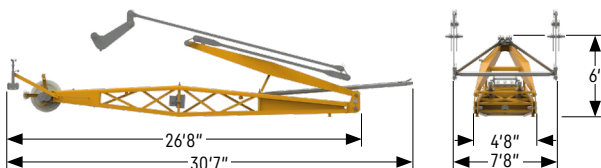
Jib section 20 ft (No. 0806.15)

Weight including pendants	lbs 549
---------------------------	---------

Jib foot 18 ft with A-frame (No. 0806.16)

Weight including pendants	lbs 2,242
---------------------------	-----------

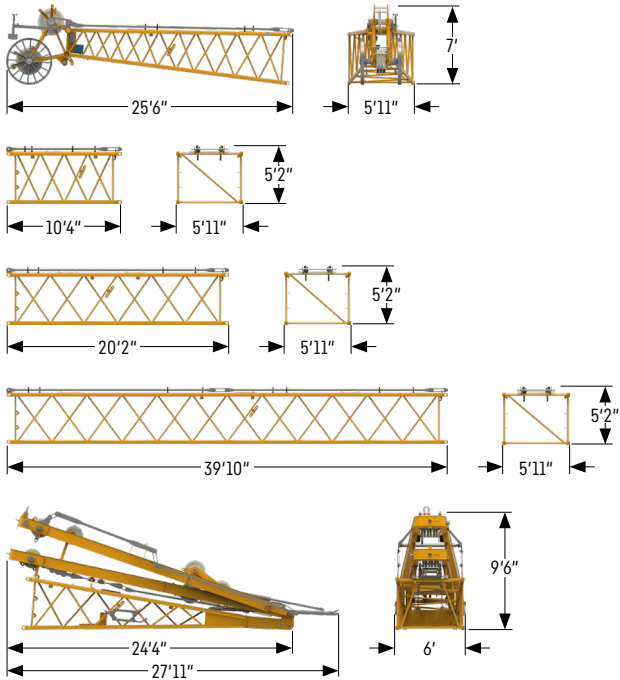
Fixed jib 0906.21



Fixed jib 23 ft (No. 0906.21)

Weight including pendants	lbs 5,320
---------------------------	-----------

Luffing jib 1713.xx



Jib head 23 ft (No. 1713.21)

Weight including pendants	lbs 3,034
---------------------------	-----------

Jib section 10 ft (No. 1713.18)

Weight including pendants	lbs 869
---------------------------	---------

Jib section 20 ft (No. 1713.18)

Weight including pendants	lbs 1,376
---------------------------	-----------

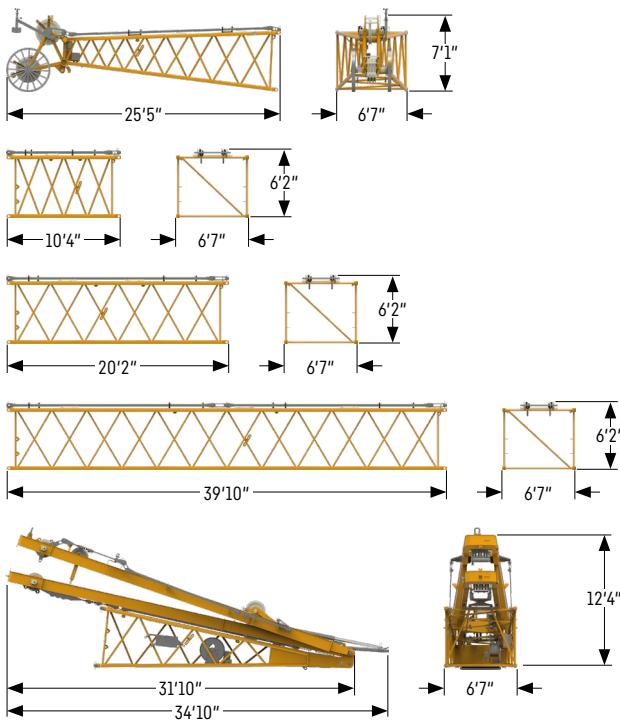
Jib section 40 ft (No. 1713.18)

Weight including pendants	lbs 2,474
---------------------------	-----------

Jib foot 23 ft with A-frames 2 + 3 (No. 1713.22)

Weight including pendants	lbs 10,501
---------------------------	------------

Luffing jib 1916.xx



Jib head 23 ft (No. 1916.21)

Weight including pendants	lbs 3,351
---------------------------	-----------

Jib section 10 ft (No. 1916.18)

Weight including pendants	lbs 1,089
---------------------------	-----------

Jib section 20 ft (No. 1916.18)

Weight including pendants	lbs 1,612
---------------------------	-----------

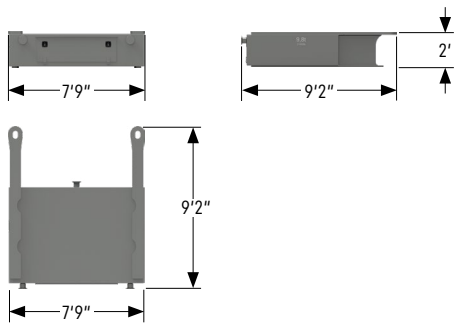
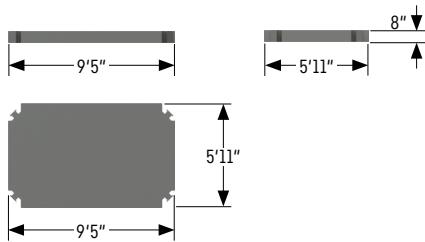
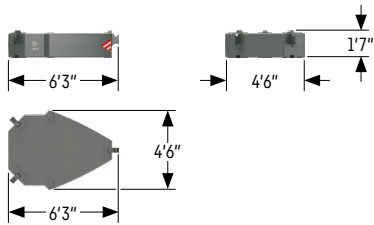
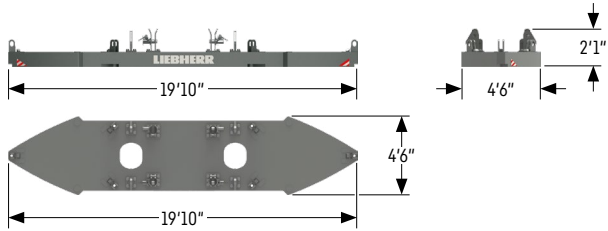
Jib section 40 ft (No. 1916.18)

Weight including pendants	lbs 2,837
---------------------------	-----------

Jib foot 23 ft with A-frames 2 + 3 (No. 1916.22)

Weight including pendants	lbs 13,750
---------------------------	------------

Counterweight



Basic counterweight slab without tie-down (1x)

Weight	lbs 26,500
--------	------------

Counterweight slab (14x)

Weight	lbs 11,000
--------	------------

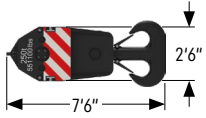
Carbody counterweight slab (2x)

Weight	lbs 18,300
--------	------------

Carbody counterweight (2x)

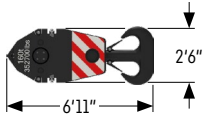
Weight	lbs 21,600
--------	------------

Pulley block with additional weights / load hooks



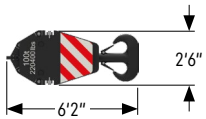
551,200 lbs pulley block - 11 pulleys

Width	4'1"
Weight	lbs 5,070 / 7,055



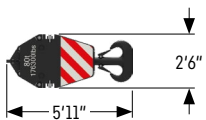
352,700 lbs pulley block - 7 pulleys

Width	2'11"
Weight	lbs 3,307 / 4,960 / 6,614



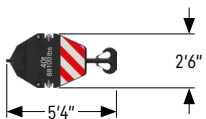
220,400 lbs pulley block - 5 pulleys

Width	2'5"
Weight	lbs 2,866 / 3,968 / 5,071



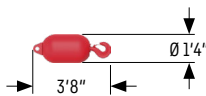
176,300 lbs pulley block - 3 pulleys

Width	1'10"
Weight	lbs 2,205 / 3,307 / 4,409



88,100 lbs pulley block - 1 pulley

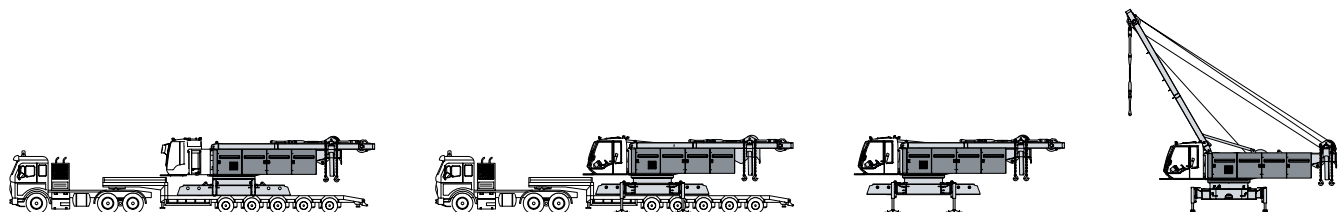
Width	1'7"
Weight	lbs 1,543 / 2,425 / 3,307



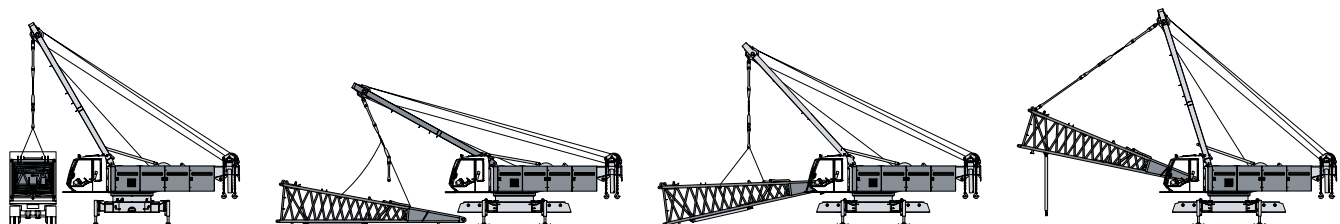
27,560 lbs load hook

Weight	lbs 1,323
--------	-----------

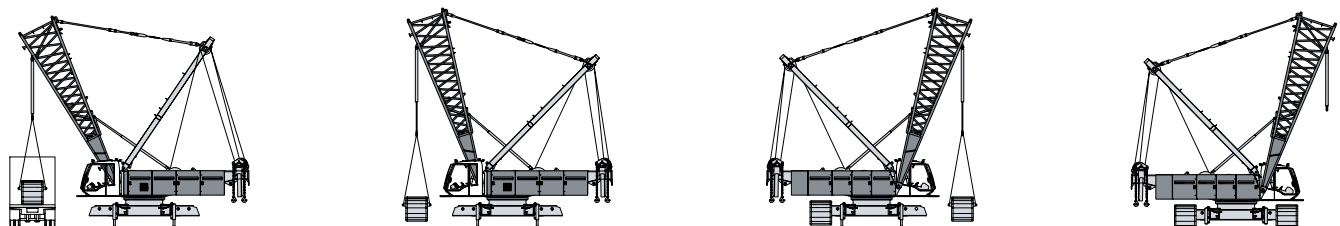
Self-assembly system



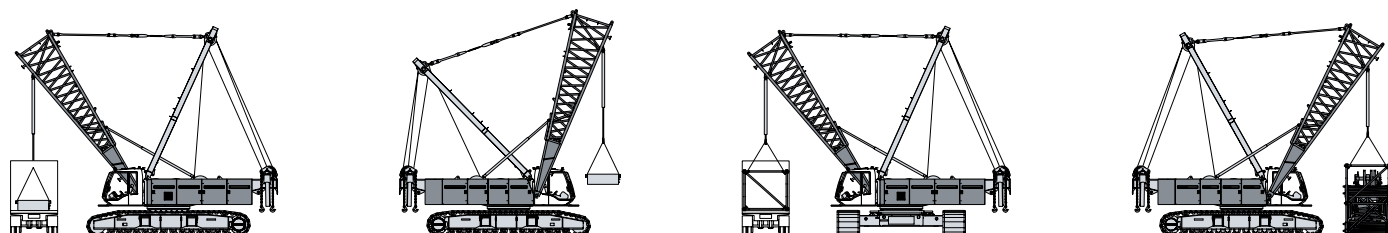
Unloading of basic machine



Unloading and assembly of boom foot

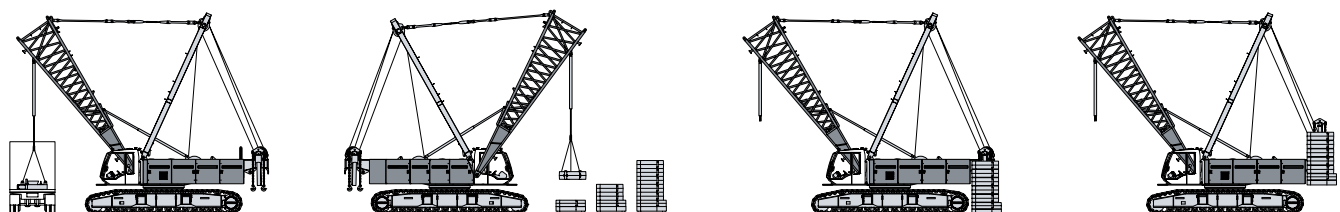


Unloading and assembly of crawler side frames

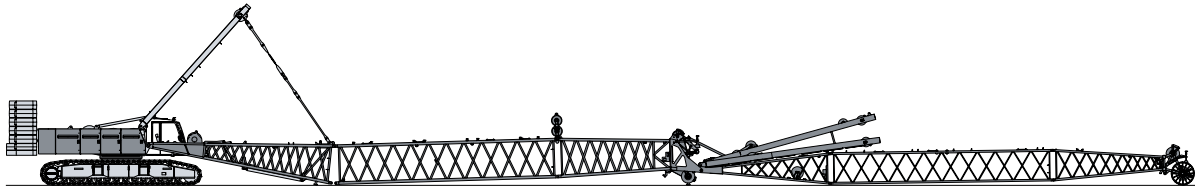


Unloading and assembly of carbody counterweight

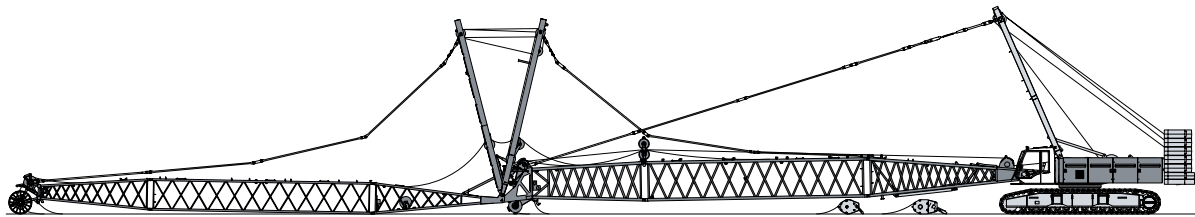
Unloading and assembly of boom



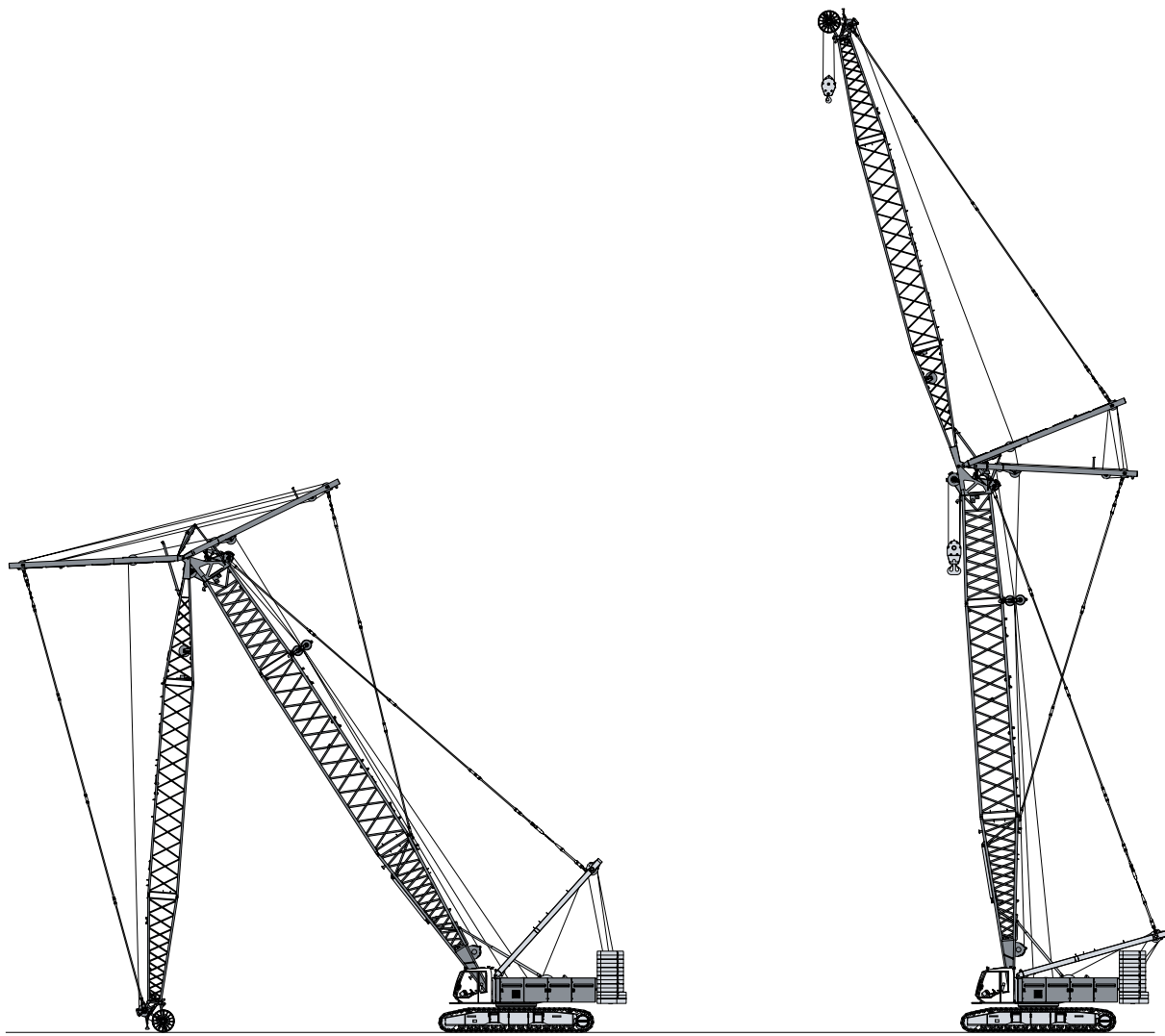
Unloading and assembly of rear counterweight



Assembly of boom

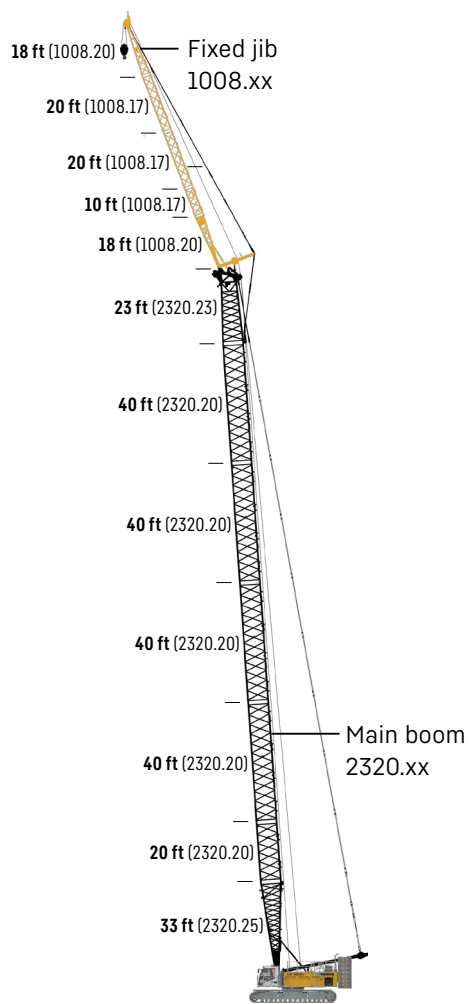
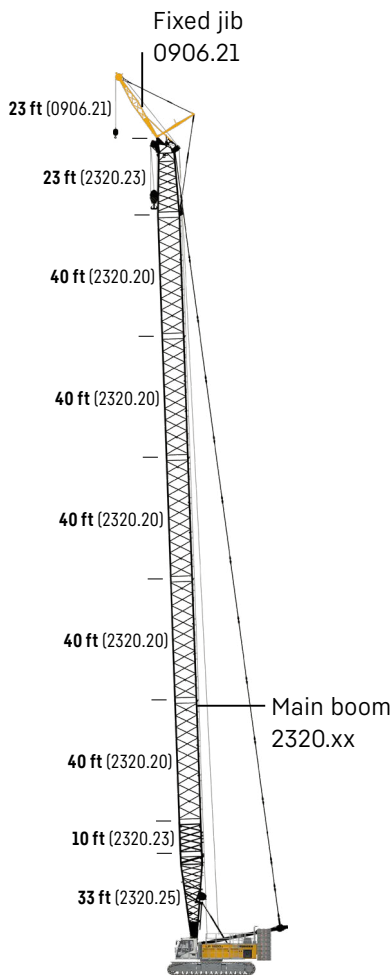
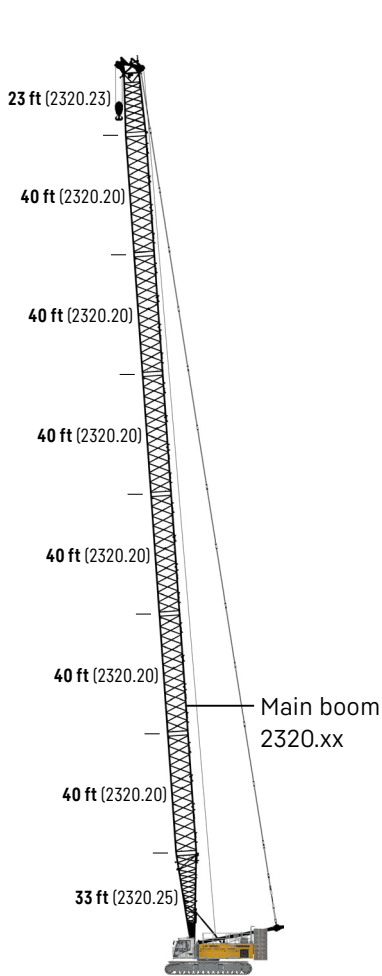


Reeving of hoist and luffing jib ropes



Erecting of main boom and luffing jib

Boom combinations



Main boom

Mode 1

Max. length

2320.xx ft 292

Further information on page 18.

Main boom + fixed jib

Mode 3

Max. combination

2320.xx ft 262

0906.21 ft 23

Total length ft 285

Further information on page 38.

Main boom + fixed jib

Mode 3

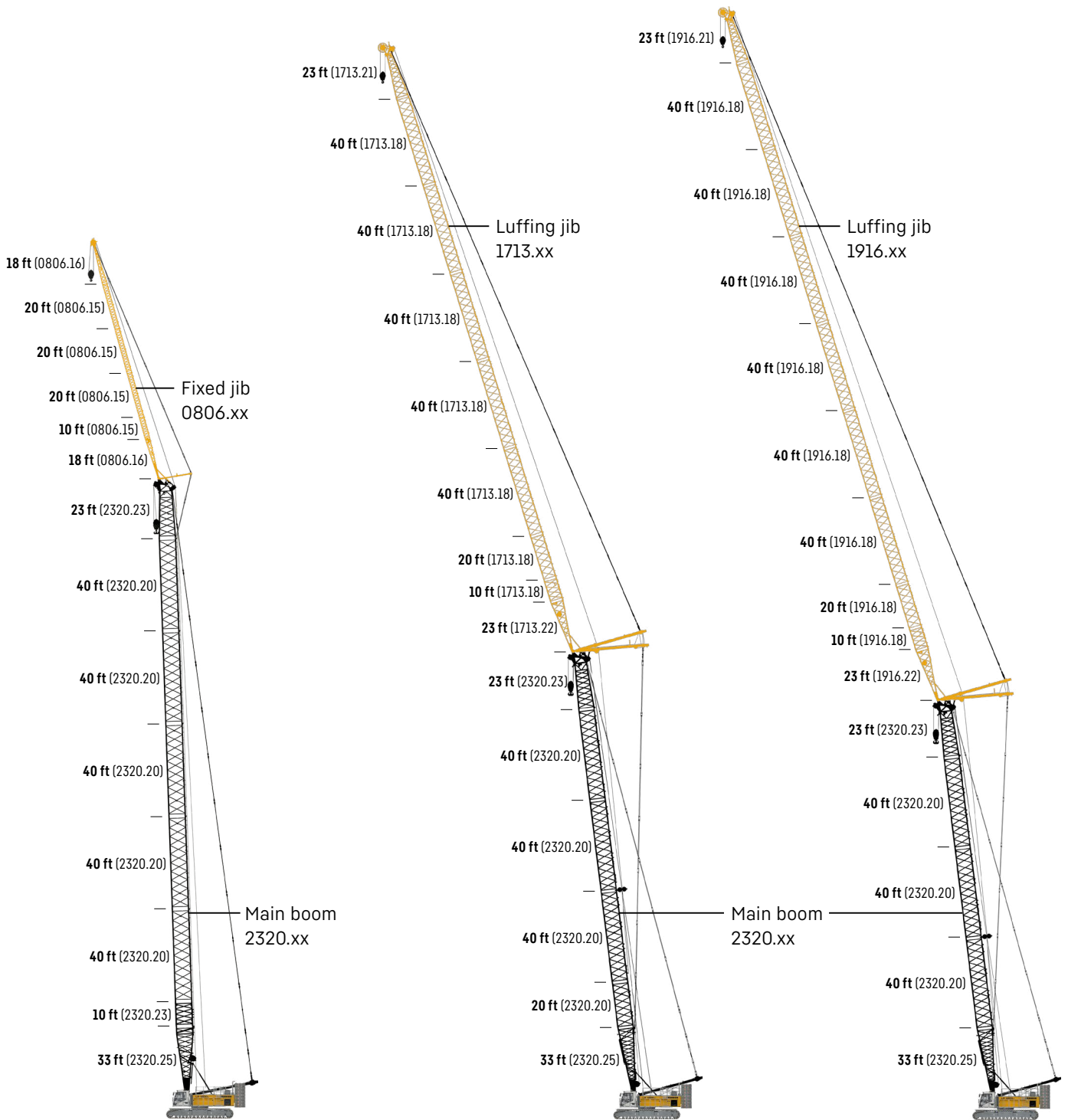
Max. combination

2320.xx ft 233 243 253

1008.xx ft 85 76 56

Total length ft 318 319 309

Further information on page 32.



Main boom + fixed jib

Mode 3		
Max. combination		
2320.xx	ft 262	272
0806.xx	ft 105	76
Total length	ft 367	348

Further information on page 35.

Main boom + luffing jib

Mode 4			
Max. combination			
2320.xx	ft 194	203	213
1713.xx	ft 272	243	174
Total length	ft 466	446	387

Further information on page 20.

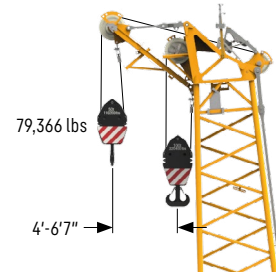
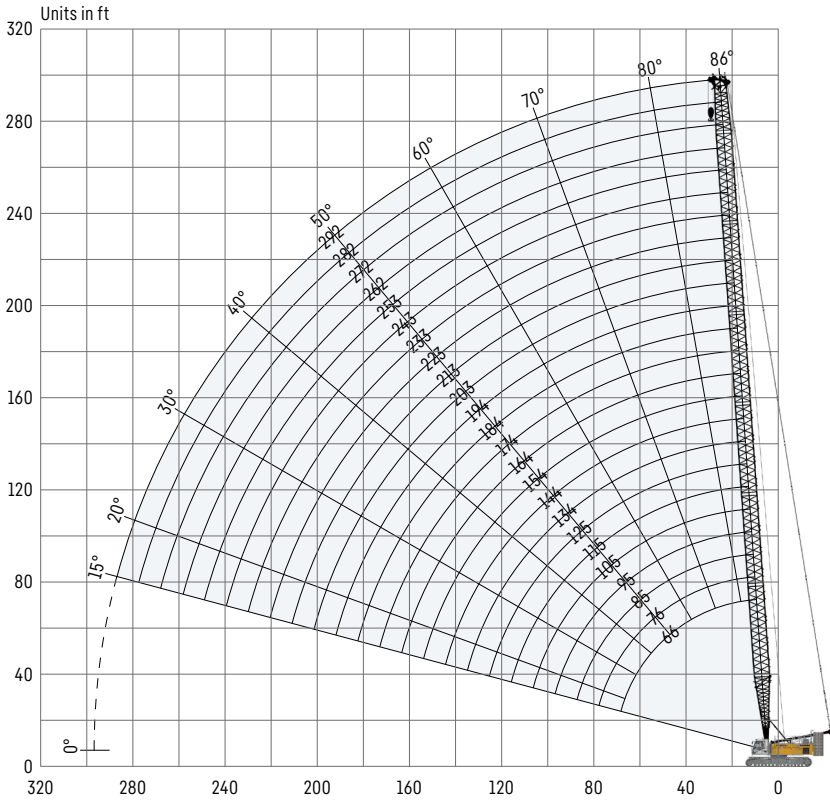
Main boom + luffing jib

Mode 4			
Max. combination			
2320.xx	ft 174	184	194
1916.xx	ft 312	262	203
Total length	ft 486	446	397

Further information on page 26.

Main boom 2320.xx

Boom lengths 66-292 ft



Auxiliary jib 79,366 lbs (option)
 The maximum capacity of the auxiliary jib is 79,366 lbs. The corresponding load chart is programmed in the LML system.

Main boom configuration 2320.xx

Boom section	Amount of boom sections												
Boom foot 33 ft	1	1	1	1	1	1	1	1	1	1	1	1	1
Boom section 10 ft	1		1		1		1		1		1		1
Boom section 20 ft		1	1			1	1			1	1		
Boom section 40 ft				1	1	1	1	2	2	2	2	3	
Boom head 23 ft	1	1	1	1	1	1	1	1	1	1	1	1	1
Boom length [ft]	66	76	85	95	105	115	125	134	144	154	164	174	
Auxiliary jib	✓	✓	✓	✓	✓	✓	✓	✓	✓	✓	✓	✓	✓
Boom foot 33 ft	1	1	1	1	1	1	1	1	1	1	1	1	1
Boom section 10 ft	1		1		1		1		1		1		1
Boom section 20 ft		1	1			1	1			1	1		
Boom section 40 ft	3	3	3	4	4	4	4	5	5	5	5	6	
Boom head 23 ft	1	1	1	1	1	1	1	1	1	1	1	1	1
Boom length [ft]	184	194	203	213	223	233	243	253	262	272	282	292	
Auxiliary jib	✓	✓	✓	✓	✓	✓	✓	✓	✓	✓	✓	✓	✓

Load capacities with main boom

Load capacities in 1000 lbs with 181,440 lbs rear counterweight and 79,400 lbs carbody counterweight

Radius [ft]	Boom length [ft]												
	66	85	105	125	144	164	184	203	223	243	262	292	
20					255.5								
30	271.4	271.7	271.8	252.6	218.0	189.3	175.2	146.7	120.5	105.1	88.0	65.5	
55	114.7	114.8	114.8	114.4	114.0	113.5	113.1	112.5	104.0	96.8	81.6	61.1	
70	26.6	83.3	83.3	82.9	82.5	81.9	81.4	80.8	80.2	79.6	77.0	58.0	
85		64.1	64.3	63.9	63.5	62.9	62.4	61.7	61.1	60.5	59.9	54.3	
95			55.3	54.9	54.5	53.9	53.4	52.7	52.1	51.4	50.8	49.9	
105			48.0	47.8	47.5	46.9	46.3	45.6	45.0	44.3	43.7	42.7	
115				42.0	41.7	41.1	40.6	39.9	39.3	38.6	37.9	36.9	
125				37.1	36.9	36.3	35.8	35.1	34.5	33.8	33.1	32.1	
135					32.9	32.3	31.8	31.1	30.5	29.8	29.1	28.1	
145					29.3	28.9	28.4	27.7	27.1	26.5	25.8	24.8	
155						26.0	25.5	24.9	24.3	23.5	22.9	21.8	
165							23.3	22.9	22.3	21.7	20.9	19.3	
180								19.5	18.9	18.3	17.6	15.9	
190									17.0	16.4	15.7	14.0	
200									15.2	14.7	14.0	12.3	
220										11.7	11.0	9.4	
240											8.5	6.9	
260												5.8	
275													3.5
285													2.6

Load capacities in 1000 lbs with 159,400 lbs rear counterweight and 79,400 lbs carbody counterweight

Radius [ft]	Boom length [ft]												
	66	85	105	125	144	164	184	203	223	243	262	292	
13.4	484.9												
20	416.2	356.0	341.2	303.9	255.5								
30	249.2	249.4	249.6	249.5	218.0	189.3	175.2	146.7	120.5	105.1	88.0	65.5	
55	104.8	104.9	104.9	104.5	104.2	103.6	103.2	102.6	102.2	96.8	81.6	61.1	
70	26.6	75.9	75.9	75.4	75.1	74.5	74.0	73.4	72.8	72.2	71.6	58.0	
85		58.1	58.4	57.9	57.6	57.0	56.4	55.8	55.2	54.5	53.9	53.0	
95			50.0	49.7	49.3	48.7	48.2	47.5	46.9	46.2	45.6	44.6	
105			43.4	43.1	42.8	42.2	41.6	41.0	40.4	39.6	39.0	38.0	
115				37.8	37.5	36.9	36.3	35.6	35.0	34.3	33.7	32.7	
125				33.2	33.0	32.5	31.9	31.3	30.6	29.9	29.3	28.3	
135					29.3	28.8	28.2	27.6	26.9	26.4	25.7	24.7	
145					26.1	25.7	25.2	24.5	23.9	23.2	22.5	21.5	
155						22.9	22.5	21.8	21.2	20.5	19.8	18.8	
165							20.4	20.0	19.4	18.8	18.1	16.4	
180								16.9	16.3	15.7	15.0	13.3	
190									14.5	14.0	13.2	11.6	
200									12.9	12.4	11.6	10.0	
220										9.5	8.9	7.3	
240											6.6	5.0	
260												4.0	
270													2.2



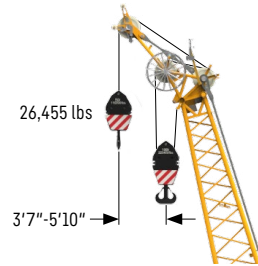
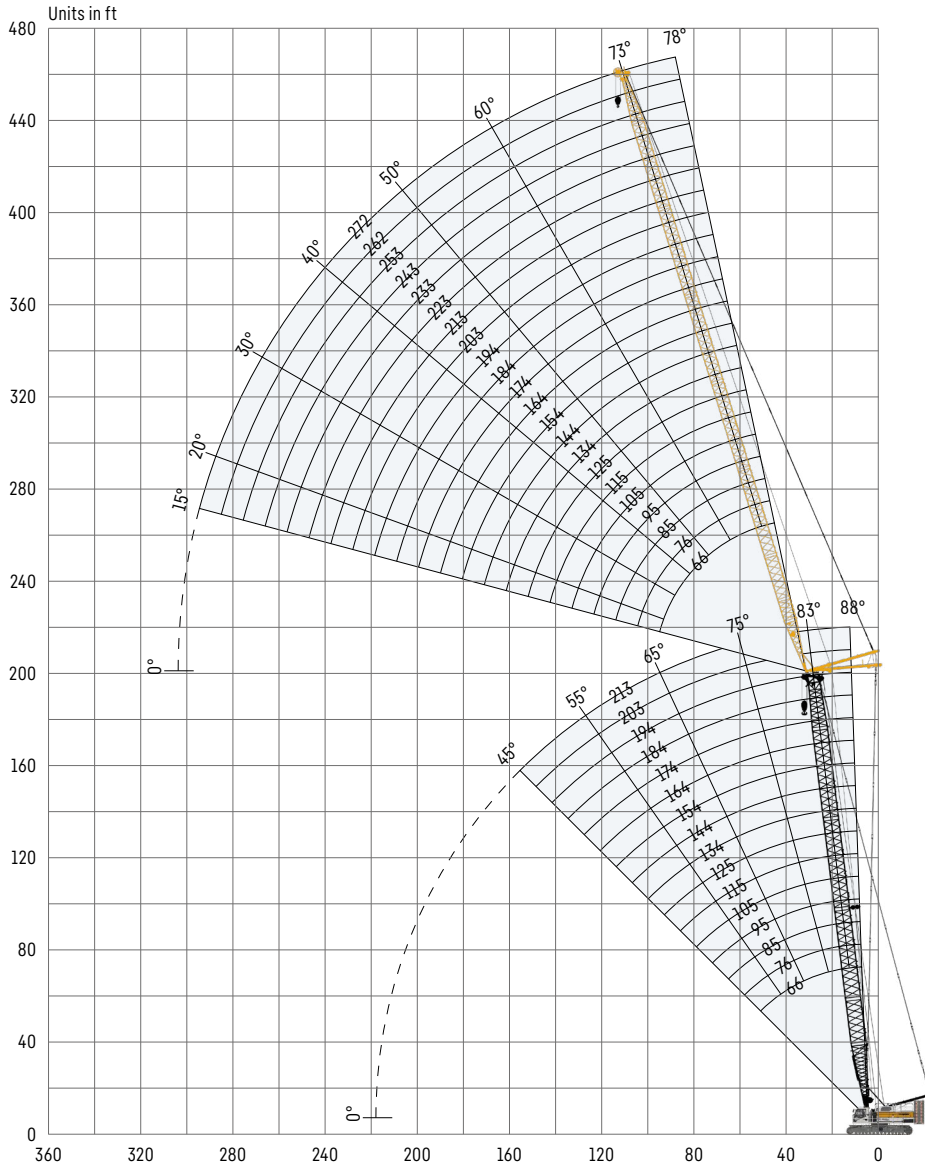
TLT 11969175. Above load charts are for reference only. For actual lift duty please refer to load chart in operator's cabin or manual. Otherwise we recommend you to plan your lifting job using Crane Planner 2.0.

www.liebherr.com/CranePlanner



Luffing jib 1713.xx

Jib lengths 66-272 ft



Auxiliary jib 26,455 lbs (option)
The maximum capacity of the auxiliary jib is 26,455 lbs.

Jib configuration 1713.xx

Jib section	Amount of jib sections																					
	1	1	1	1	1	1	1	1	1	1	1	1	1	1	1	1	1	1	1	1		
Jib foot 23 ft	1	1	1	1	1	1	1	1	1	1	1	1	1	1	1	1	1	1	1	1		
Jib section 10 ft		1		1		1		1		1		1		1		1		1		1		
Jib section 20 ft	1	1			1	1			1	1			1	1			1	1		1		
Jib section 40 ft			1	1	1	1	2	2	2	3	3	3	3	4	4	4	4	5	5	5		
Jib head 23 ft	1	1	1	1	1	1	1	1	1	1	1	1	1	1	1	1	1	1	1	1		
Jib length [ft]	66	76	85	95	105	115	125	134	144	154	164	174	184	194	203	213	223	233	243	253	262	272
Auxiliary jib	✓	✓	✓	✓	✓	✓	✓	✓	✓	✓	✓	✓	✓	✓	✓	✓	✓	✓	✓	✓		

Actual lengths of boom sections are metric (e.g. 3 m, 6 m). The figures shown above are approximate conversions to feet.
For main boom configuration please refer to the table on page 18.

Load capacities with luffing jib

Load capacities in 1000 lbs with 66 ft main boom 88°

Radius [ft]	Jib length [ft]					
	66	105	144	184	223	272
30	132.3					
40	106.5	102.0				
50	79.6	77.7	72.4			
55	71.9	68.0	64.6	51.5		
60	64.2	60.8	57.5	49.7	34.4	
70	49.5	50.7	48.6	43.6	32.8	19.5
75	26.6	46.1	44.2	40.5	32.0	19.3
110		26.7	26.7	26.5	23.6	15.9
150			16.7	16.7	15.0	12.4
185				11.1	10.2	8.1
225					6.1	4.5
260						2.2

181,440 lbs rear counterweight and 79,400 lbs carbody counterweight

Load capacities in 1000 lbs with 95 ft main boom 88°

Radius [ft]	Jib length [ft]					
	66	105	144	184	223	272
26.7	132.3					
40	114.6	104.8				
50	85.2	81.0	72.2			
55	76.7	72.6	68.2	48.8		
60	68.4	64.6	60.7	47.5	32.2	
70	55.4	53.0	51.6	43.9	31.3	18.6
75	48.9	49.2	46.9	42.0	30.7	18.6
110		29.7	28.3	26.4	23.7	15.5
150			19.1	17.9	15.9	12.6
190				11.6	10.5	8.5
225					6.9	5.2
270						2.2

181,440 lbs rear counterweight and 79,400 lbs carbody counterweight

Load capacities in 1000 lbs with 134 ft main boom 88°

Radius [ft]	Jib length [ft]					
	66	105	144	184	223	272
28.1	131.0					
40	111.9	91.1				
50	89.1	80.6	61.2			
55	79.1	74.3	60.2	41.7		
65	64.1	60.7	55.4	40.7	28.5	
75	51.8	50.8	47.8	39.2	27.7	17.2
95		37.5	35.3	32.3	26.1	15.9
115		26.6	27.5	25.5	22.6	14.6
150			19.7	17.5	15.8	12.4
190				12.1	10.6	8.5
225					7.3	5.5
275						2.1

181,440 lbs rear counterweight and 79,400 lbs carbody counterweight

Load capacities in 1000 lbs with 164 ft main boom 88°

Radius [ft]	Jib length [ft]					
	66	105	144	184	223	272
29.1	102.4					
40	92.1	73.6				
50	82.3	68.3	51.0			
55	78.6	65.7	50.1	35.8		
65	65.4	60.6	48.1	35.1	25.4	
75	53.4	51.3	44.6	33.9	24.8	15.5
95		38.2	35.9	30.8	23.4	14.7
115		29.1	27.9	25.9	21.9	13.7
150			19.1	17.7	16.0	12.0
190				12.1	10.6	8.6
230					6.9	5.1
275						2.3

181,440 lbs rear counterweight and 79,400 lbs carbody counterweight

Load capacities in 1000 lbs with 213 ft main boom 88°

Radius [ft]	Jib length [ft]					
	66	95	115	134	154	174
30.8	68.0					
40	65.1	53.2				
50	60.0	50.5	44.2	38.7	33.4	
55	57.4	48.9	43.0	38.0	33.2	28.7
70	52.1	44.6	40.1	35.5	31.4	27.5
80	26.6	41.8	37.4	34.0	30.1	26.7
95		37.8	33.6	29.4	27.9	25.1
105		34.0	30.9	27.1	24.8	23.8
125			26.1	24.1	21.3	19.6
145				13.3	19.4	17.6
165					11.5	15.8
180						13.6

181,440 lbs rear counterweight and 79,400 lbs carbody counterweight

TLT 11969175. Above load charts are for reference only. For actual lift duty please refer to load chart in operator's cabin or manual. Otherwise we recommend you to plan your lifting job using Crane Planner 2.0.



www.liebherr.com/CranePlanner

Crane Planner 2.0

Load capacities with luffing jib

Load capacities in 1000 lbs with 66 ft main boom 83°

Radius [ft]	Jib length [ft]					
	66	105	144	184	223	272
37	132.2					
50	94.6	88.1				
65	65.6	61.5	57.6			
75	52.4	51.5	47.1	44.5		
85		43.5	39.7	37.5	30.5	
100		34.9	31.7	29.9	27.9	17.0
115		28.4	26.6	26.6	23.9	15.9
135			22.9	21.0	19.1	14.3
155			18.1	17.0	15.1	12.6
195				10.9	9.8	7.7
230					6.3	4.7
270						2.0

181,440 lbs rear counterweight and 79,400 lbs carbody counterweight

Load capacities in 1000 lbs with 95 ft main boom 83°

Radius [ft]	Jib length [ft]					
	66	105	144	184	223	272
40.6	132.2					
55	94.0	88.3				
65	74.0	69.3	62.4			
80	54.5	52.3	48.8	44.9		
90		44.4	41.4	38.2	29.8	
105		35.9	32.9	30.6	27.6	16.3
120		29.2	27.5	26.6	23.8	15.2
140			23.8	21.7	19.7	13.9
160			18.9	17.7	15.8	12.3
195				12.3	10.9	8.9
235					6.8	5.2
280						2.1

181,440 lbs rear counterweight and 79,400 lbs carbody counterweight

Load capacities in 1000 lbs with 134 ft main boom 83°

Radius [ft]	Jib length [ft]					
	66	105	144	184	223	272
45.4	117.9					
60	91.9	83.2				
70	74.4	69.2	59.6			
80	60.7	56.6	53.0	39.9		
95		44.6	42.1	38.1	26.7	
110		36.2	33.6	31.3	25.6	15.4
125		29.5	28.1	26.0	22.8	14.6
145			23.9	21.0	18.9	13.4
165			19.2	17.5	15.3	12.0
200				12.5	11.0	9.0
240					7.0	5.4
285						2.3

181,440 lbs rear counterweight and 79,400 lbs carbody counterweight

Load capacities in 1000 lbs with 164 ft main boom 83°

Radius [ft]	Jib length [ft]					
	66	105	144	184	223	272
49	91.3					
65	78.1	66.4				
75	69.0	61.1	50.0			
85	59.2	54.5	47.5	35.3		
100		43.8	41.1	34.3	24.5	
110		37.9	35.3	31.5	23.9	14.4
130		29.0	27.6	25.5	22.0	13.7
145			23.5	21.4	19.8	12.9
165			19.1	17.6	15.8	12.0
205				12.3	10.5	8.6
245					6.9	5.3
290						2.3

181,440 lbs rear counterweight and 79,400 lbs carbody counterweight

Load capacities in 1000 lbs with 213 ft main boom 83°

Radius [ft]	Jib length [ft]					
	66	95	115	134	154	174
55	63.3					
65	58.7	50.9				
70	56.5	49.6	44.0			
80	53.0	46.5	42.3	37.7		
85	51.6	45.0	41.0	36.9	32.5	
90	50.2	43.5	39.9	36.1	32.1	27.9
95	48.8	42.3	38.7	35.0	31.5	27.8
125		33.5	31.7	29.1	26.7	24.4
145			17.3	25.0	23.2	21.8
165				14.4	19.9	18.6
180					17.1	16.6
200						13.5

181,440 lbs rear counterweight and 79,400 lbs carbody counterweight

TLT 11969175. Above load charts are for reference only. For actual lift duty please refer to load chart in operator's cabin or manual. Otherwise we recommend you to plan your lifting job using Crane Planner 2.0.

Load capacities with luffing jib

Load capacities in 1000 lbs with 66 ft main boom 75°

Radius [ft]	Jib length [ft]					
	66	105	144	184	223	272
54.6	53.0					
75	64.5	60.1				
90	26.6	46.0	43.1			
105		36.3	34.2	30.7		
125		28.2	26.6	26.2	23.3	
135			24.9	22.9	21.0	
145			22.2	20.6	18.8	14.4
155			20.2	18.4	16.5	13.8
165			18.1	16.4	14.8	12.3
200				11.5	9.8	7.9
240					6.2	4.2
275						2.1

181,440 lbs rear counterweight and 79,400 lbs carbody counterweight

Load capacities in 1000 lbs with 95 ft main boom 75°

Radius [ft]	Jib length [ft]					
	66	105	144	184	223	272
62.2	53.0					
80	71.0	64.5				
100		46.2	43.5			
115		36.7	34.6	31.7		
130		30.6	28.6	26.6	24.1	
140			26.6	24.9	23.0	
150			24.1	22.1	20.3	13.7
160			21.9	20.0	18.1	13.5
170			19.7	17.9	16.1	12.7
210				12.0	10.3	8.5
250					6.6	4.7
295						2.0

181,440 lbs rear counterweight and 79,400 lbs carbody counterweight

Load capacities in 1000 lbs with 134 ft main boom 75°

Radius [ft]	Jib length [ft]					
	66	105	144	184	223	272
72.4	53.0					
90	60.5	59.4				
110		46.6	44.0			
125		37.2	35.1	31.5		
140		31.1	29.0	26.9	22.9	
150			26.6	24.2	22.4	
160			24.4	22.1	20.1	13.0
170			22.2	20.3	18.1	12.9
180			20.1	18.2	16.2	12.4
220				12.3	10.6	8.6
260					6.9	4.9
305						2.1

181,440 lbs rear counterweight and 79,400 lbs carbody counterweight

Load capacities in 1000 lbs with 164 ft main boom 75°

Radius [ft]	Jib length [ft]					
	66	105	144	184	223	272
80.1	53.0					
100	51.3	50.2				
115	26.6	42.4	41.2			
130		36.5	35.4	30.4		
150		30.3	28.2	25.9	21.1	
160			25.8	23.0	20.6	
170			23.5	20.8	18.8	12.2
180			21.6	19.2	16.9	12.1
190			19.6	17.5	15.2	11.6
225				12.8	10.9	8.8
265					7.2	5.2
315						2.1

181,440 lbs rear counterweight and 79,400 lbs carbody counterweight

Load capacities in 1000 lbs with 213 ft main boom 75°

Radius [ft]	Jib length [ft]					
	66	95	115	134	154	174
92.8	52.0					
110	42.4	41.4				
115	40.2	39.3	38.2			
125	36.3	35.5	34.8	33.1		
135		32.3	31.6	31.1	28.5	
140		30.9	30.2	29.7	28.1	24.5
155		27.1	26.6	26.1	25.4	23.8
165			24.5	24.1	23.4	22.9
175			19.7	22.3	21.7	21.2
195				16.7	18.7	18.2
210					16.8	16.2
230						13.4

181,440 lbs rear counterweight and 79,400 lbs carbody counterweight

TLT 11969175. Above load charts are for reference only. For actual lift duty please refer to load chart in operator's cabin or manual. Otherwise we recommend you to plan your lifting job using Crane Planner 2.0.

Load capacities with luffing jib

Load capacities in 1000 lbs with 66 ft main boom 65°

Radius [ft]	Jib length [ft]					
	66	105	144	184	223	272
75.1	53.0					
100	49.0	46.2				
125		32.2	29.8			
145			25.0	22.1		
170			19.4	17.3	15.3	
175			18.4	16.3	14.7	
185				14.7	13.0	
195				13.5	11.7	8.7
205				12.3	10.3	8.3
215				11.1	9.2	7.1
250					6.4	4.2
285						2.2

181,440 lbs rear counterweight and 79,400 lbs carbody counterweight

Load capacities in 1000 lbs with 105 ft main boom 65°

Radius [ft]	Jib length [ft]					
	66	105	144	184	223	272
91.7	53.0					
115	43.5	42.5				
140		33.5	32.0			
160			26.6	22.3		
170			24.1	22.0		
185			20.9	18.8	16.2	
200				16.0	14.2	
215				14.1	12.1	9.5
230				12.2	10.2	8.2
250					8.5	6.3
265					7.2	5.0
315						2.1

181,440 lbs rear counterweight and 79,400 lbs carbody counterweight

Load capacities in 1000 lbs with 144 ft main boom 65°

Radius [ft]	Jib length [ft]					
	66	105	144	184	223	272
108.3	43.1					
135		31.9				
155		26.9	25.7			
180			21.2	20.0		
190			19.7	18.5		
200			18.3	17.2	15.5	
210			17.1	16.1	14.9	
220				15.0	13.9	
230				14.0	12.6	9.5
245				12.6	10.6	8.6
285					7.1	4.9
330						2.3

181,440 lbs rear counterweight and 79,400 lbs carbody counterweight

Load capacities in 1000 lbs with 184 ft main boom 65°

Radius [ft]	Jib length [ft]					
	66	105	144	184	223	272
125	32.5					
150	25.9	24.8				
175		20.3	19.1			
195			16.5	15.2		
210			14.8	13.6		
220			13.8	12.7	11.5	
235				11.4	10.2	
245				10.6	9.5	7.1
255				9.9	8.8	6.5
265				9.3	8.2	6.0
300					6.3	4.3
350						2.2

181,440 lbs rear counterweight and 79,400 lbs carbody counterweight

Load capacities in 1000 lbs with 213 ft main boom 65°

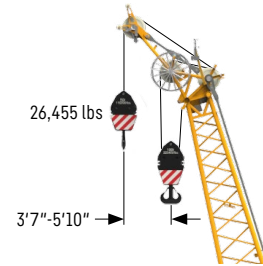
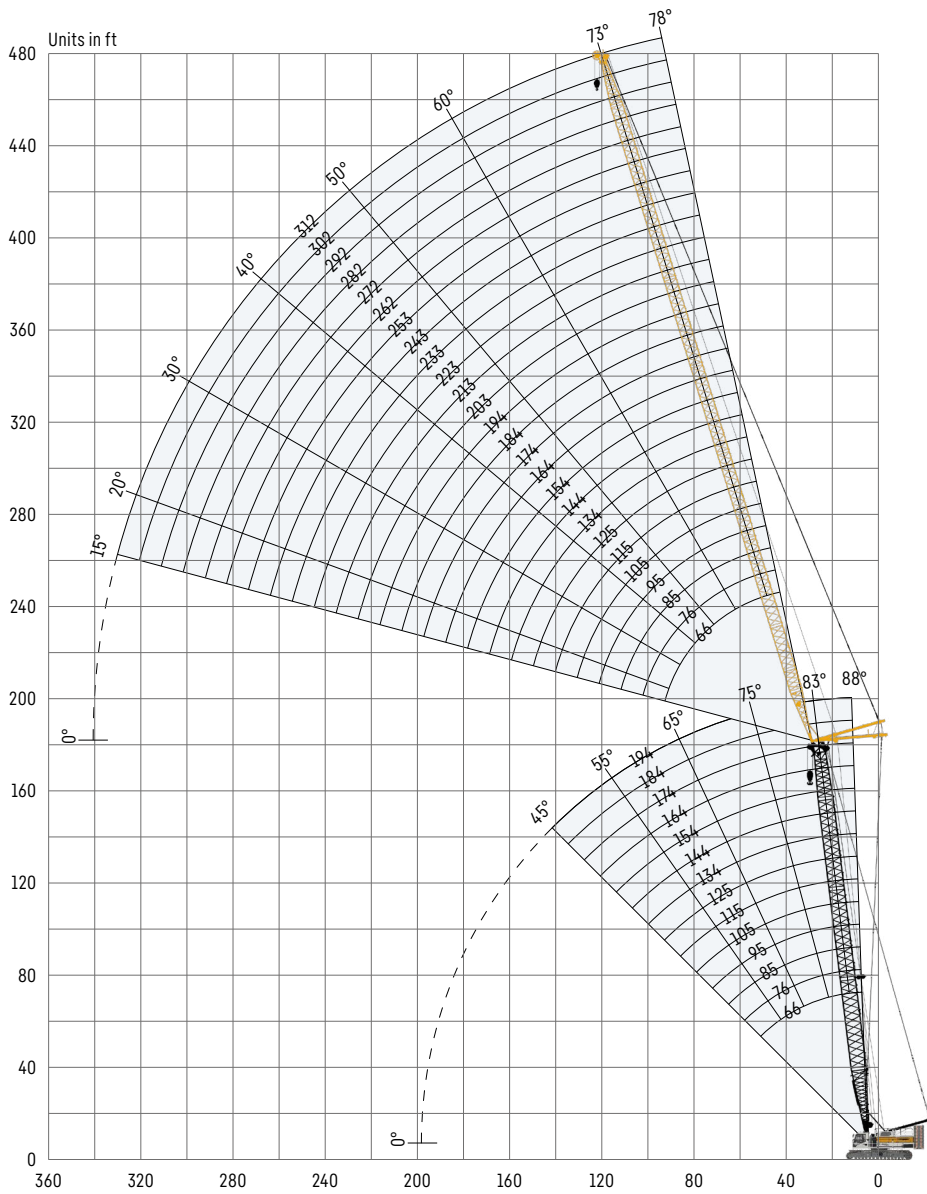
Radius [ft]	Jib length [ft]					
	66	105	125	144	164	174
137.5	26.2					
160	21.6	20.3				
175		18.1	17.5			
185		16.8	16.2	15.5		
195		15.6	15.1	14.4	13.7	
200		15.0	14.5	13.9	13.3	12.8
205			14.0	13.4	12.8	12.4
210			13.5	12.9	12.3	11.9
220			12.6	12.0	11.4	11.0
235				10.8	10.3	9.9
255					8.9	8.6
265						8.0

181,440 lbs rear counterweight and 79,400 lbs carbody counterweight

TLT 11969175. Above load charts are for reference only. For actual lift duty please refer to load chart in operator's cabin or manual. Otherwise we recommend you to plan your lifting job using Crane Planner 2.0.

Luffing jib 1916.xx

Jib lengths 66-312 ft



Auxiliary jib 26,455 lbs (option)
The maximum capacity of the auxiliary jib is 26,455 lbs.

Jib configuration 1916.xx

Jib section	Amount of jib sections																									
Jib foot 23 ft	1	1	1	1	1	1	1	1	1	1	1	1	1	1	1	1	1	1	1	1	1	1				
Jib section 10 ft		1		1		1		1		1		1		1		1		1		1		1				
Jib section 20 ft	1	1			1	1			1	1			1	1			1	1			1	1				
Jib section 40 ft			1	1	1	1	2	2	2	2	3	3	3	3	4	4	4	4	5	5	5	5				
Jib head 23 ft	1	1	1	1	1	1	1	1	1	1	1	1	1	1	1	1	1	1	1	1	1	1				
Jib length [ft]	66	76	85	95	105	115	125	134	144	154	164	174	184	194	203	213	223	233	243	253	262	272	282	292	302	312
Auxiliary jib	✓	✓	✓	✓	✓	✓	✓	✓	✓	✓	✓	✓	✓	✓	✓	✓	✓	✓	✓	✓	✓	✓	✓	✓	✓	✓

Actual lengths of boom sections are metric (e.g. 3 m, 6 m). The figures shown above are approximate conversions to feet.
For main boom configuration please refer to the table on page 18.

Load capacities with luffing jib

Load capacities in 1000 lbs with 66 ft main boom 88°

Radius [ft]	Jib length [ft]					
	66	115	164	213	262	312
30	155.8					
40	155.8	123.4				
50	128.4	110.5	79.1			
60	104.4	94.8	75.0	49.4		
70	78.2	81.6	71.6	47.3	30.9	
80		69.4	63.6	45.2	29.4	18.0
100		53.7	51.2	41.8	26.9	16.5
120		37.1	40.6	37.5	24.8	15.1
170			22.5	25.9	21.0	12.1
215				15.1	16.5	10.1
265					8.4	8.0
310						3.6

181,440 lbs rear counterweight and 79,400 lbs carbody counterweight

Load capacities in 1000 lbs with 95 ft main boom 88°

Radius [ft]	Jib length [ft]					
	66	115	164	213	262	312
26.7	155.8					
40	126.0	104.9				
50	104.5	93.7	72.2			
60	89.4	81.6	69.3	44.2		
70	78.6	72.2	63.0	43.4	28.6	
80		63.8	57.2	42.2	27.6	16.7
100		51.9	48.1	38.7	25.4	15.6
120		43.8	40.7	35.0	23.6	14.3
170			27.8	25.4	20.1	11.7
215				19.0	16.6	9.8
265					11.5	7.9
310						5.9

181,440 lbs rear counterweight and 79,400 lbs carbody counterweight

Load capacities in 1000 lbs with 134 ft main boom 88°

Radius [ft]	Jib length [ft]					
	66	115	164	213	262	312
28.1	139.6					
40	122.6	91.9				
60	95.1	79.7	57.0	37.2		
70	85.1	73.3	55.3	36.5	24.8	
80		66.7	53.3	35.6	24.4	15.0
100		57.0	48.7	33.8	23.1	14.3
125		26.6	42.1	31.5	21.3	13.0
150			35.1	29.5	19.8	11.7
170			29.5	27.1	18.7	10.9
220				19.2	16.9	9.1
265					12.4	7.5
315						5.6

181,440 lbs rear counterweight and 79,400 lbs carbody counterweight

Load capacities in 1000 lbs with 164 ft main boom 88°

Radius [ft]	Jib length [ft]					
	66	115	164	213	262	312
29.1	104.9					
40	97.9	72.8				
50	89.3	69.5	47.6			
60	82.7	65.4	46.5	32.0		
75	74.3	59.7	44.3	31.1	21.6	
85		56.2	42.4	30.2	21.1	13.1
105		50.3	39.0	28.4	20.1	12.3
125		44.8	36.0	26.8	18.9	11.6
170			29.3	23.2	16.9	9.8
220				18.4	15.1	8.3
265					12.4	6.8
315						5.3

181,440 lbs rear counterweight and 79,400 lbs carbody counterweight

Load capacities in 1000 lbs with 194 ft main boom 88°

Radius [ft]	Jib length [ft]					
	66	95	125	154	184	203
30.1	87.3					
40	81.1	66.8				
50	74.7	63.5	52.0	42.2		
55	72.2	61.3	50.8	41.6	33.8	
60	69.9	59.5	49.8	40.9	33.6	29.1
75	63.9	54.2	46.2	38.4	32.0	28.1
90		49.9	42.5	36.2	30.3	26.9
105		47.2	39.4	33.6	28.9	25.4
135			26.6	29.5	25.7	22.9
165				24.4	22.9	20.6
190					21.5	19.2
210						18.4

181,440 lbs rear counterweight and 79,400 lbs carbody counterweight

TLT 11969175. Above load charts are for reference only. For actual lift duty please refer to load chart in operator's cabin or manual. Otherwise we recommend you to plan your lifting job using Crane Planner 2.0.



www.liebherr.com/CranePlanner

Crane Planner 2.0

Load capacities with luffing jib

Load capacities in 1000 lbs with 66 ft main boom 83°

Radius [ft]	Jib length [ft]					
	66	115	164	213	262	312
37	155.8					
55	121.5	113.1				
70	90.0	89.1	73.7			
85		70.3	65.7	45.5		
95		61.4	60.4	43.7	27.8	
110		51.4	50.4	41.3	26.4	15.9
125		40.2	42.8	38.2	24.8	15.0
150			33.9	31.3	22.8	13.5
175			24.7	26.6	21.0	12.2
220				16.6	17.1	10.2
270					9.6	8.1
315						4.6

181,440 lbs rear counterweight and 79,400 lbs carbody counterweight

Load capacities in 1000 lbs with 95 ft main boom 83°

Radius [ft]	Jib length [ft]					
	66	115	164	213	262	312
40.6	146.7					
55	110.9	98.3				
70	86.7	80.7	68.5			
85		66.7	61.2	42.6		
100		56.7	53.2	40.7	26.1	
115		48.1	45.7	38.3	24.8	15.0
130		41.3	40.4	35.4	23.4	14.1
150			33.8	31.1	22.0	13.0
175			27.6	26.2	20.3	11.8
225				18.4	16.6	9.8
270					12.6	8.1
320						6.2

181,440 lbs rear counterweight and 79,400 lbs carbody counterweight

Load capacities in 1000 lbs with 134 ft main boom 83°

Radius [ft]	Jib length [ft]					
	66	115	164	213	262	312
45.4	125.8					
60	106.3	86.9				
75	80.7	78.7	58.1			
90		63.7	56.4	36.8		
105		52.8	51.7	35.9	23.6	
120		44.9	43.8	34.6	22.6	13.6
135		38.7	37.8	33.2	21.5	12.9
155			31.7	30.4	20.4	11.9
180			26.1	24.8	19.0	11.0
230				17.4	16.2	9.2
275					11.8	7.7
325						6.3

181,440 lbs rear counterweight and 79,400 lbs carbody counterweight

Load capacities in 1000 lbs with 164 ft main boom 83°

Radius [ft]	Jib length [ft]					
	66	115	164	213	262	312
49	97.9					
65	86.0	68.6				
80	73.6	62.8	46.7			
95		57.5	44.6	31.5		
110		49.1	42.3	30.5	20.7	
125		42.0	39.5	29.3	19.9	12.0
140		26.6	35.4	28.2	19.1	11.5
160			29.8	26.8	18.2	10.7
185			24.6	23.4	17.2	9.8
235				16.4	15.1	8.3
280					11.1	7.0
330						5.4

181,440 lbs rear counterweight and 79,400 lbs carbody counterweight

Load capacities in 1000 lbs with 194 ft main boom 83°

Radius [ft]	Jib length [ft]					
	66	95	125	154	184	203
52.6	80.7					
65	74.3	64.0				
70	71.4	62.2	50.9			
80	67.0	58.4	49.9	40.6		
90	62.7	54.9	47.6	39.5	32.9	
95	58.6	53.6	46.6	38.8	32.5	28.4
110		48.7	43.2	37.0	31.1	27.3
125		26.6	40.0	34.9	29.9	26.2
150			32.6	31.4	27.6	24.4
180				25.1	24.4	22.2
210					19.7	19.2
225						17.3

181,440 lbs rear counterweight and 79,400 lbs carbody counterweight

TLT 11969175. Above load charts are for reference only. For actual lift duty please refer to load chart in operator's cabin or manual. Otherwise we recommend you to plan your lifting job using Crane Planner 2.0.

Load capacities with luffing jib

Load capacities in 1000 lbs with 66 ft main boom 75°

Radius [ft]	Jib length [ft]					
	66	115	164	213	262	312
54.6	53.0					
80	74.1					
100		55.6	54.5			
120		44.5	43.5	40.8		
140			35.8	34.4	23.9	
160			30.2	28.8	22.5	13.1
175			26.8	25.6	21.4	12.5
185			24.9	23.7	20.8	12.0
210				19.7	18.5	10.9
230				17.2	16.0	10.1
280					11.3	8.2
325						5.9

181,440 lbs rear counterweight and 79,400 lbs carbody counterweight

Load capacities in 1000 lbs with 95 ft main boom 75°

Radius [ft]	Jib length [ft]					
	66	115	164	213	262	312
62.2	53.0					
85	67.1	65.8				
105		50.9	49.6			
125		41.1	39.9	37.4		
150			31.7	30.2	22.6	
170			26.9	25.6	21.3	12.4
180			24.9	23.6	20.7	12.0
190			23.1	21.9	20.1	11.6
215				18.2	17.0	10.5
240				15.3	14.1	9.7
285					10.3	8.1
335						5.9

181,440 lbs rear counterweight and 79,400 lbs carbody counterweight

Load capacities in 1000 lbs with 134 ft main boom 75°

Radius [ft]	Jib length [ft]					
	66	115	164	213	262	312
72.4	53.0					
95	56.1	54.6				
115		43.3	41.9			
135		35.5	34.2	32.6		
160			27.5	26.0	20.6	
170			25.4	23.9	20.2	
180			23.5	22.0	19.6	11.3
190			21.8	20.4	18.9	11.0
200			20.3	18.9	17.5	10.6
250				13.3	12.0	9.1
295					8.6	7.3
345						4.6

181,440 lbs rear counterweight and 79,400 lbs carbody counterweight

Load capacities in 1000 lbs with 164 ft main boom 75°

Radius [ft]	Jib length [ft]					
	66	115	164	213	262	312
80	53.0					
105	47.7	46.1				
125		37.2	35.8			
145		30.9	29.6	27.9		
165			25.0	23.4	18.0	
175			23.1	21.5	17.8	
185			21.4	19.9	17.5	9.8
200			19.1	17.7	16.2	9.6
210			17.8	16.4	15.0	9.4
255				11.9	10.6	8.3
305					7.2	5.5
350						3.6

181,440 lbs rear counterweight and 79,400 lbs carbody counterweight

Load capacities in 1000 lbs with 194 ft main boom 75°

Radius [ft]	Jib length [ft]					
	66	115	144	164	184	203
87.7	53.0					
110	43.0	41.3				
125		35.2	34.4			
130		33.5	32.7	32.1		
140		30.5	29.7	29.1	28.4	
150		27.9	27.2	26.6	26.0	25.1
160		25.8	25.0	24.5	23.8	23.2
170		23.7	23.1	22.5	21.9	21.3
185			20.6	20.0	19.4	18.8
195			19.1	18.6	18.0	17.4
215				16.1	15.5	15.0
255						11.2

181,440 lbs rear counterweight and 79,400 lbs carbody counterweight

TLT 11969175. Above load charts are for reference only. For actual lift duty please refer to load chart in operator's cabin or manual. Otherwise we recommend you to plan your lifting job using Crane Planner 2.0.

Load capacities with luffing jib

Load capacities in 1000 lbs with 66 ft main boom 65°

Radius [ft]	Jib length [ft]					
	66	115	164	213	262	312
75	53.0					
105		50.1				
135		36.7	35.6			
160			28.6	27.1		
175			25.4	24.0		
190			22.7	21.4	20.0	
205				19.1	17.8	
220				17.2	15.9	10.7
230				16.0	14.8	10.3
240				15.0	13.7	9.9
290					9.6	8.2
335						5.6

181,440 lbs rear counterweight and 79,400 lbs carbody counterweight

Load capacities in 1000 lbs with 95 ft main boom 65°

Radius [ft]	Jib length [ft]					
	66	115	164	213	262	312
87.5	53.0					
120		40.2				
145		31.7	30.4			
160		27.9	26.8			
175			23.8	22.2		
205			19.0	17.6	16.2	
220				15.8	14.4	
230				14.7	13.4	10.2
245				13.3	11.9	9.8
255				12.4	11.1	9.4
300					7.9	6.5
350						4.0

181,440 lbs rear counterweight and 79,400 lbs carbody counterweight

Load capacities in 1000 lbs with 134 ft main boom 65°

Radius [ft]	Jib length [ft]					
	66	115	164	213	262	312
104.1	45.3					
135		31.4				
165		24.3	22.9			
190			18.8	17.1		
220			15.2	13.6	12.1	
225			14.6	13.1	11.6	
240				11.8	10.3	
250				10.9	9.5	7.4
260				10.2	8.8	6.7
270				9.4	8.1	6.0
320					5.2	3.5
355						2.1

181,440 lbs rear counterweight and 79,400 lbs carbody counterweight

Load capacities in 1000 lbs with 164 ft main boom 65°

Radius [ft]	Jib length [ft]					
	66	115	164	213	262	312
116.6	36.3					
145		26.0				
175		20.3	18.9			
190		18.0	16.8			
205			15.0	13.2		
215			13.9	12.2		
230			12.5	10.8	8.8	
245				9.7	7.8	
260				8.6	6.8	4.2
275				7.6	5.9	3.4
305					4.5	2.0
330					3.5	

181,440 lbs rear counterweight and 79,400 lbs carbody counterweight

Load capacities in 1000 lbs with 194 ft main boom 65°

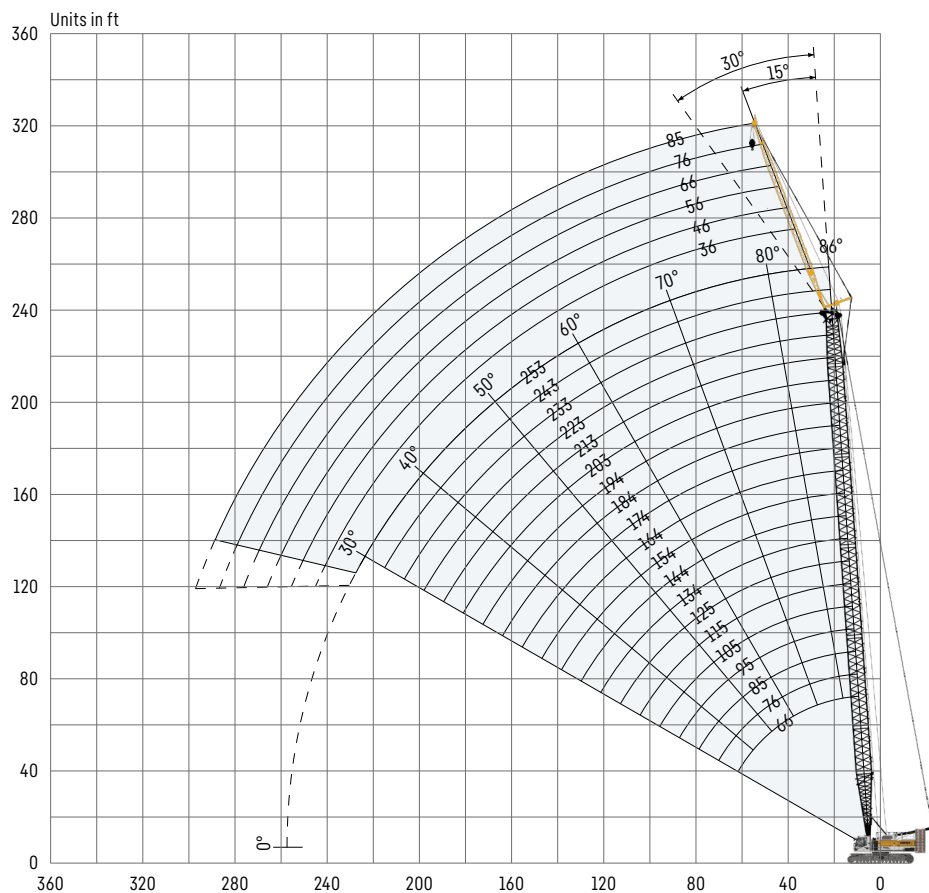
Radius [ft]	Jib length [ft]					
	66	95	134	164	194	203
129.1	29.0					
150	24.0	23.0				
160		21.1				
170		19.4	18.0			
180		17.9	16.7			
190			15.4	14.5		
200			14.3	13.4		
210			13.3	12.4	11.2	10.9
220			12.3	11.5	10.4	10.1
235				10.3	9.2	9.0
250				9.2	8.1	8.0
285						5.9

181,440 lbs rear counterweight and 79,400 lbs carbody counterweight

TLT 11969175. Above load charts are for reference only. For actual lift duty please refer to load chart in operator's cabin or manual. Otherwise we recommend you to plan your lifting job using Crane Planner 2.0.

Fixed jib 1008.xx

Jib lengths 36-85 ft



Jib configuration 1008.xx

Jib section	Amount of jib sections					
Boom foot 18 ft	1	1	1	1	1	1
Jib section 10 ft		1		1		1
Jib section 20 ft			1	1	2	2
Jib head 18 ft	1	1	1	1	1	1
Jib length [ft]	36	46	56	66	76	85

Actual lengths of boom sections are metric (e.g. 3 m, 6 m). The figures shown above are approximate conversions to feet. For main boom configuration please refer to the table on page 18.

Load capacities with fixed jib 15°

Load capacities in 1000 lbs with 66 ft main boom

Radius [ft]	Jib length [ft]			
	36	46	66	85
30	79.1			
40	79.1	75.3	66.4	52.1
55	79.1	67.1	54.2	44.8
65	76.9	61.9	48.7	39.5
75	67.2	57.2	43.1	34.6
85	60.4	52.9	38.5	31.1
90	57.6	50.2	36.8	29.4
100	53.0	45.9	33.3	26.8
110		42.2	30.6	25.7
125			27.5	22.6
135				21.2
145				19.8

181,440 lbs rear counterweight and 79,400 lbs carbody counterweight

Load capacities in 1000 lbs with 115 ft main boom

Radius [ft]	Jib length [ft]			
	36	46	66	85
25	79.1	79.1		
40	79.1	78.9	67.3	50.7
65	79.1	68.6	54.4	42.7
85	64.7	61.7	46.3	35.5
105	48.6	49.2	39.0	30.3
120	40.3	40.8	35.2	27.1
140	32.0	32.5	31.0	25.0
150		29.2	29.5	23.5
160			27.3	22.2
170			24.8	21.2
180				20.3
190				19.4

181,440 lbs rear counterweight and 79,400 lbs carbody counterweight

Load capacities in 1000 lbs with 164 ft main boom

Radius [ft]	Jib length [ft]			
	36	46	66	85
22	79.1			
30	79.1	79.1		
40	79.1	78.7	66.7	
50	79.1	76.7	64.1	46.7
75	74.9	70.0	55.2	40.9
100	50.2	50.9	46.9	34.7
125	36.2	36.7	37.7	29.7
150	27.0	27.5	28.4	26.6
185	18.5	19.0	19.8	20.5
195		17.1	17.9	18.5
215			14.6	15.2
230				13.1

181,440 lbs rear counterweight and 79,400 lbs carbody counterweight

Load capacities in 1000 lbs with 213 ft main boom

Radius [ft]	Jib length [ft]			
	36	46	66	85
23.8	79.1			
30	79.1	75.6		
40	79.1	74.8	59.5	
50	79.1	73.5	57.9	43.5
85	61.4	62.2	51.2	38.8
120	36.8	37.4	38.5	32.9
155	23.9	24.4	25.3	26.1
190	16.0	16.4	17.1	17.8
225	10.5	10.9	11.6	12.2
235		9.6	10.3	10.9
255			8.0	8.6
275				6.5

181,440 lbs rear counterweight and 79,400 lbs carbody counterweight

Load capacities in 1000 lbs with 253 ft main boom

Radius [ft]	Jib length [ft]		
	36	46	56
25.1	70.1		
30	70.1	63.0	
40	67.0	61.8	57.0
75	58.7	54.3	51.1
105	43.8	44.5	45.0
135	28.9	29.5	30.1
165	19.8	20.3	20.8
195	13.6	14.0	14.4
225	9.1	9.4	9.8
260	5.1	5.4	5.8
270		4.4	4.8
280			3.9

181,440 lbs rear counterweight and 79,400 lbs carbody counterweight

TLT 11969175. Above load charts are for reference only. For actual lift duty please refer to load chart in operator's cabin or manual. Otherwise we recommend you to plan your lifting job using Crane Planner 2.0.



www.liebherr.com/CranePlanner

Crane Planner 2.0

Load capacities with fixed jib 30°

Load capacities in 1000 lbs with 66 ft main boom

Radius [ft]	Jib length [ft]			
	36	46	66	85
35	79.1			
40	75.3	62.0		
50	65.5	55.1	41.3	
60	58.4	50.9	36.4	29.3
70	53.0	45.8	32.8	26.6
85	48.5	40.2	28.6	23.8
100	44.9	36.5	26.6	20.9
110		35.1	25.1	19.3
130			23.2	17.1
140				16.4
150				16.0

181,440 lbs rear counterweight and 79,400 lbs carbody counterweight

Load capacities in 1000 lbs with 115 ft main boom

Radius [ft]	Jib length [ft]			
	36	46	66	85
30	79.1			
40	79.1	63.2		
50	73.2	59.9	42.1	
60	67.0	54.5	38.4	28.7
75	59.6	50.1	34.1	26.6
90	53.8	45.2	30.8	24.7
105	49.2	41.5	28.2	22.3
120	40.7	38.5	26.6	20.5
140	32.2	32.9	25.0	18.5
150		29.4	24.1	17.7
170			23.3	16.4
190				16.1

181,440 lbs rear counterweight and 79,400 lbs carbody counterweight

Load capacities in 1000 lbs with 164 ft main boom

Radius [ft]	Jib length [ft]			
	36	46	66	85
30.7	79.1			
40	79.1	65.3		
50	78.2	62.7	42.7	
65	69.7	57.2	38.9	28.8
90	59.3	51.0	33.7	25.9
115	41.7	42.5	29.8	22.5
135	32.6	33.3	27.3	20.6
160	24.6	25.2	26.3	18.6
185	18.7	19.2	20.3	17.2
195		17.2	18.3	16.7
215			14.7	15.6
235				12.6

181,440 lbs rear counterweight and 79,400 lbs carbody counterweight

Load capacities in 1000 lbs with 213 ft main boom

Radius [ft]	Jib length [ft]			
	36	46	66	85
32.4	79.1			
40	79.1	63.1		
55	76.1	60.1	41.0	
65	72.1	57.5	38.9	28.4
105	46.3	47.3	32.1	24.7
140	29.3	30.0	28.2	21.4
175	19.4	20.0	21.1	19.1
205	13.7	14.1	15.1	16.0
230	10.0	10.4	11.3	12.1
240		9.1	10.0	10.8
255			8.1	8.9
275				6.7

181,440 lbs rear counterweight and 79,400 lbs carbody counterweight

Load capacities in 1000 lbs with 253 ft main boom

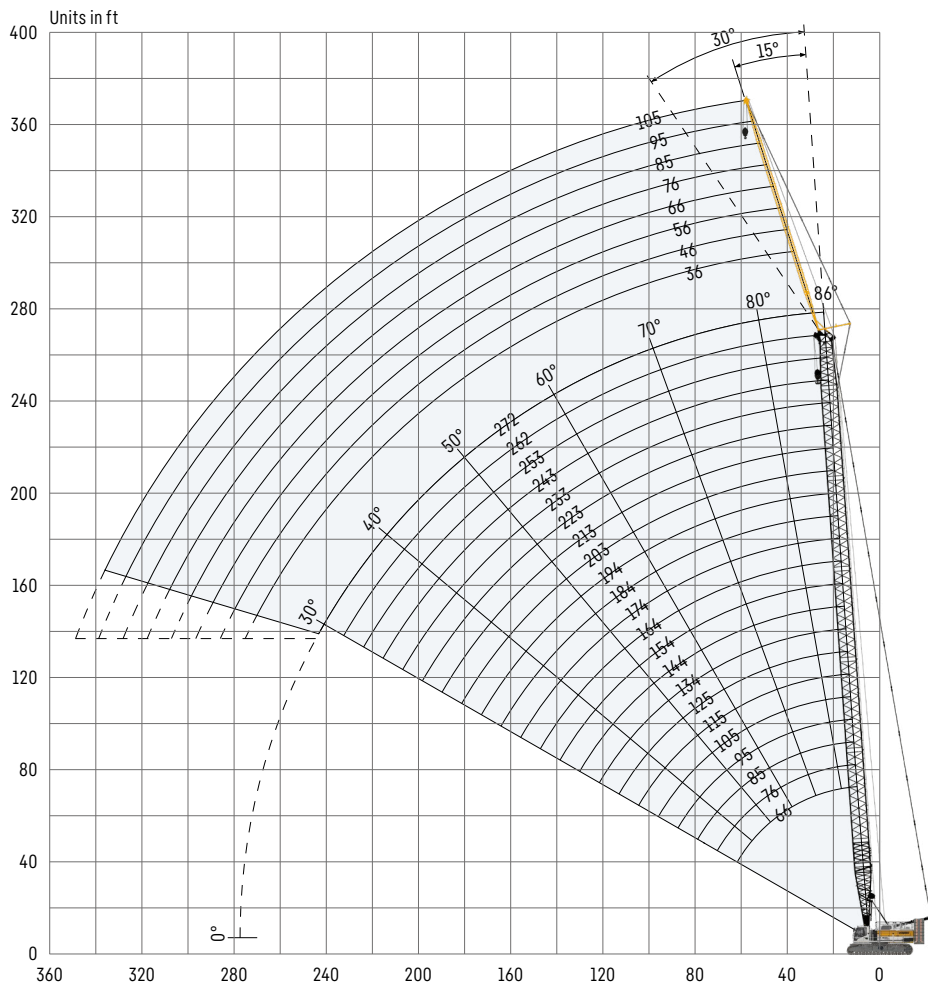
Radius [ft]	Jib length [ft]		
	36	46	56
33.8	65.6		
40	65.4	55.8	
50	63.2	54.7	49.2
85	54.9	47.6	42.2
115	39.1	40.0	37.6
145	26.3	27.0	27.7
175	18.1	18.6	19.3
205	12.3	12.8	13.4
235	8.1	8.5	9.0
260	5.2	5.6	6.0
270		4.5	5.0
280			4.0

181,440 lbs rear counterweight and 79,400 lbs carbody counterweight

TLT 11969175. Above load charts are for reference only. For actual lift duty please refer to load chart in operator's cabin or manual. Otherwise we recommend you to plan your lifting job using Crane Planner 2.0.

Fixed jib 0806.xx

Jib lengths 36-105 ft



Jib configuration 0806.xx

Jib section	Amount of jib sections							
Jib foot 18 ft	1	1	1	1	1	1	1	1
Jib section 10 ft		1		1		1		1
Jib section 20 ft			1	1	2	2	3	3
Jib head 18 ft	1	1	1	1	1	1	1	1
Jib length [ft]	36	46	56	66	76	85	95	105

Actual lengths of boom sections are metric (e.g. 3 m, 6 m). The figures shown above are approximate conversions to feet. For main boom configuration please refer to the table on page 18.

Load capacities with fixed jib 15°

Load capacities in 1000 lbs with 66 ft main boom

Radius [ft]	Jib length [ft]				
	36	56	76	95	105
35	45.5				
50	41.4	26.4	20.3		
55	40.0	25.5	19.8	14.1	11.5
65	38.0	24.1	18.7	13.3	10.7
75	36.2	22.9	17.9	12.5	10.0
85	34.6	21.9	17.0	11.9	9.4
100	24.2	20.8	15.9	11.0	8.7
110		19.7	15.3	10.6	8.2
120		17.6	14.8	10.1	7.9
135			13.5	9.5	7.4
155				9.2	7.0
165					6.9

181,440 lbs rear counterweight and 79,400 lbs carbody counterweight

Load capacities in 1000 lbs with 115 ft main boom

Radius [ft]	Jib length [ft]				
	36	56	76	95	105
30	49.0				
40	46.9	28.9	21.2		
50	45.0	27.4	20.4	14.5	11.8
70	41.3	25.1	19.0	13.2	10.6
90	38.4	23.3	17.8	12.1	9.6
110	36.0	21.9	16.6	11.2	8.9
125	34.1	21.1	15.9	10.6	8.3
140	32.1	20.3	15.3	10.1	7.9
160		18.9	14.4	9.6	7.4
180			13.3	9.3	7.1
200				9.1	6.9
210					6.8

181,440 lbs rear counterweight and 79,400 lbs carbody counterweight

Load capacities in 1000 lbs with 164 ft main boom

Radius [ft]	Jib length [ft]				
	36	56	76	95	105
22	45.8				
30	44.9	27.7			
40	43.9	26.8	19.1		
50	42.3	26.1	18.6	13.0	10.8
80	39.5	23.9	17.3	12.0	9.9
115	37.2	22.1	16.1	11.1	8.7
150	28.4	20.8	15.3	10.1	7.9
185	20.0	19.6	14.6	9.3	7.3
205		17.3	13.8	9.0	7.0
220			13.3	8.9	6.8
240				8.9	6.8
250					6.7

181,440 lbs rear counterweight and 79,400 lbs carbody counterweight

Load capacities in 1000 lbs with 213 ft main boom

Radius [ft]	Jib length [ft]				
	36	56	76	95	105
23.8	39.9				
40	38.7	24.8	16.9		
50	38.1	24.3	16.6	11.5	
55	37.8	24.1	16.4	11.4	9.5
100	35.5	22.1	15.2	10.5	8.7
140	30.0	20.8	14.4	9.9	8.2
180	19.4	20.0	13.9	9.5	7.6
225	12.0	13.0	13.6	9.0	7.1
245		10.5	11.3	8.9	6.9
265			9.2	8.9	6.8
285				8.0	6.8
295					6.8

181,440 lbs rear counterweight and 79,400 lbs carbody counterweight

Load capacities in 1000 lbs with 272 ft main boom

Radius [ft]	Jib length [ft]				
	36	46	56	66	76
25.8	29.9				
30	29.8	23.2			
40	29.2	22.9	17.9	15.1	
50	28.5	22.5	17.6	14.9	12.1
105	26.2	20.8	16.5	14.2	11.5
160	21.7	19.9	15.8	13.7	11.1
215	11.1	11.6	12.1	12.5	10.9
275	4.4	4.8	5.3	5.7	6.1
285		4.0	4.4	4.8	5.2
295			3.6	4.0	4.4
305				3.2	3.6
315					2.9

181,440 lbs rear counterweight and 79,400 lbs carbody counterweight

TLT 11969175. Above load charts are for reference only. For actual lift duty please refer to load chart in operator's cabin or manual. Otherwise we recommend you to plan your lifting job using Crane Planner 2.0.



www.liebherr.com/CranePlanner

Crane Planner 2.0

Load capacities with fixed jib 30°

Load capacities in 1000 lbs with 66 ft main boom

Radius [ft]	Jib length [ft]				
	36	56	76	95	105
45	38.5				
55	36.8	23.2			
65	35.2	22.4	17.3		
70	34.7	22.0	16.9	11.9	
75	33.2	21.6	16.6	11.6	9.2
90	29.7	20.6	15.6	10.8	8.5
100	28.2	19.3	14.9	10.4	8.1
110		18.4	14.2	10.0	7.8
120		17.6	13.3	9.7	7.5
140			12.5	9.3	7.1
160				9.1	6.9
170					6.9

181,440 lbs rear counterweight and 79,400 lbs carbody counterweight

Load capacities in 1000 lbs with 115 ft main boom

Radius [ft]	Jib length [ft]				
	36	56	76	95	105
35	41.8				
50	39.6	24.1			
55	39.0	23.8	18.1		
70	37.1	22.8	17.3	11.9	
75	36.5	22.4	17.0	11.7	9.2
100	33.4	21.2	15.9	10.8	8.4
120	30.2	20.1	14.9	10.2	7.8
140	28.4	18.7	13.9	9.7	7.5
160		17.6	13.0	9.4	7.2
180			12.6	9.2	7.0
200				9.1	6.9
210					6.9

181,440 lbs rear counterweight and 79,400 lbs carbody counterweight

Load capacities in 1000 lbs with 164 ft main boom

Radius [ft]	Jib length [ft]				
	36	56	76	95	105
30.7	39.6				
50	38.4	23.3			
60	37.9	22.9	16.8		
70	37.5	22.5	16.6	11.5	
75	37.2	22.3	16.5	11.3	8.9
110	34.8	21.2	15.7	10.5	8.1
145	30.4	20.0	14.7	9.7	7.5
185	20.1	18.2	13.1	9.2	7.1
205		17.5	12.8	9.1	7.0
225			12.5	9.1	6.9
245				9.1	6.9
255					6.9

181,440 lbs rear counterweight and 79,400 lbs carbody counterweight

Load capacities in 1000 lbs with 213 ft main boom

Radius [ft]	Jib length [ft]				
	36	56	76	95	105
32.4	36.0				
50	35.5	22.1			
60	35.2	21.8	15.4		
70	34.9	21.6	15.2	10.4	
80	34.7	21.3	15.1	10.3	8.5
130	33.7	20.4	14.6	9.9	7.9
185	18.7	19.1	14.2	9.4	7.3
230	11.5	12.6	13.0	9.2	7.1
245		10.7	11.7	9.2	7.1
265			9.3	9.2	7.1
285				8.2	7.1
295					7.1

181,440 lbs rear counterweight and 79,400 lbs carbody counterweight

Load capacities in 1000 lbs with 272 ft main boom

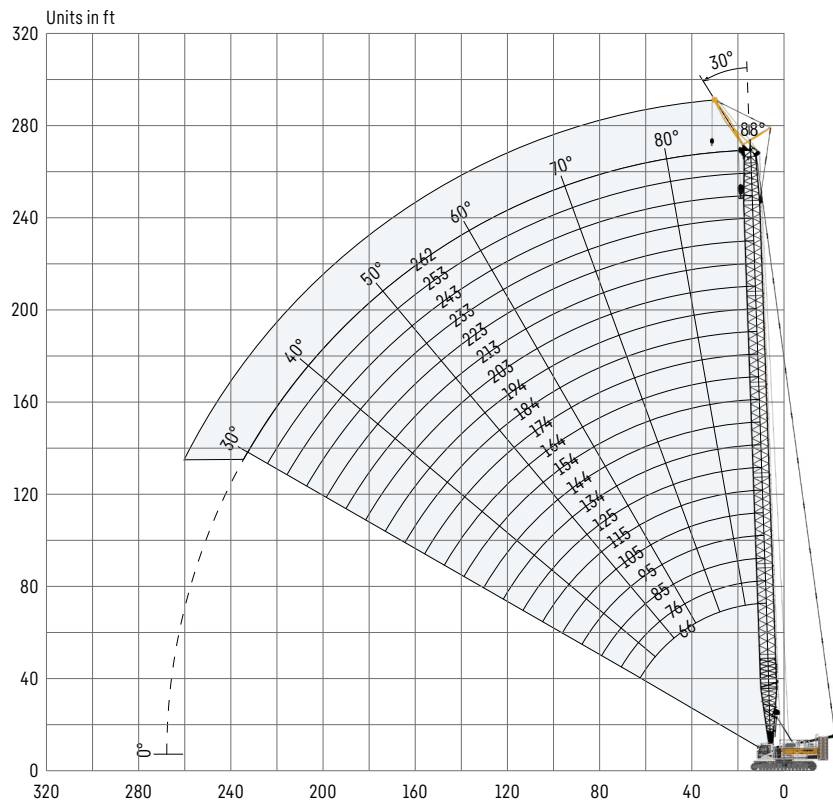
Radius [ft]	Jib length [ft]				
	36	46	56	66	76
34.5	28.0				
50	27.5	22.1	17.4		
55	27.3	22.0	17.3	14.9	
60	27.2	21.8	17.3	14.9	12.1
115	26.0	21.2	16.7	14.7	11.9
170	19.9	20.6	16.6	14.7	11.7
225	10.1	10.7	11.3	11.9	11.3
280	4.1	4.6	5.1	5.6	6.1
290		3.7	4.2	4.7	5.2
300			3.3	3.8	4.3
310				3.0	3.5
320					2.7

181,440 lbs rear counterweight and 79,400 lbs carbody counterweight

TLT 11969175. Above load charts are for reference only. For actual lift duty please refer to load chart in operator's cabin or manual. Otherwise we recommend you to plan your lifting job using Crane Planner 2.0.

Fixed jib 0906.21

Jib length 23 ft



The jib length is 23 ft, for main boom configuration please refer to the table on page 18.

Load capacities with fixed jib 30°

Load capacities in 1000 lbs with 66 ft main boom

Radius [ft]	Jib length 23 ft
35	134.2
40	130.7
50	124.6
55	116.8
60	104.0
65	93.4
70	84.6
75	77.1
80	70.7
85	65.0

181,440 lbs rear counterweight and 79,400 lbs carbody counterweight

Load capacities in 1000 lbs with 115 ft main boom

Radius [ft]	Jib length 23 ft
30	134.9
40	125.5
50	118.0
60	103.1
70	83.8
80	69.9
90	59.5
100	51.4
110	44.9
120	39.4
130	34.8

181,440 lbs rear counterweight and 79,400 lbs carbody counterweight

Load capacities in 1000 lbs with 164 ft main boom

Radius [ft]	Jib length 23 ft
25.9	122.5
30.0	121.2
50.0	109.5
65.0	91.4
80.0	68.5
95.0	53.7
110.0	43.4
125.0	35.7
140.0	29.7
155.0	24.9
170.0	21.0

181,440 lbs rear counterweight and 79,400 lbs carbody counterweight

Load capacities in 1000 lbs with 213 ft main boom

Radius [ft]	Jib length 23 ft
27.6	97.3
55	86.8
70	81.2
90	56.7
105	45.1
125	34.2
140	28.2
160	22.1
175	18.5
195	14.4
215	11.2

181,440 lbs rear counterweight and 79,400 lbs carbody counterweight

Load capacities in 1000 lbs with 262 ft main boom

Radius [ft]	Jib length 23 ft
29.3	67.3
65	61.3
85	56.3
105	43.5
125	32.5
145	24.8
165	19.1
185	14.6
205	11.0
230	7.4
255	4.5

181,440 lbs rear counterweight and 79,400 lbs carbody counterweight

TLT 11969175. Above load charts are for reference only. For actual lift duty please refer to load chart in operator's cabin or manual. Otherwise we recommend you to plan your lifting job using Crane Planner 2.0.



www.liebherr.com/CranePlanner

 **Crane Planner 2.0**



Download datasheet



Please contact us.

Liebherr-Werk Nenzing GmbH · Dr. Hans Liebherr Str. 1 · 6710 Nenzing, Austria
Phone +43 50809 41-473 · crawler.crane@liebherr.com · www.liebherr.com
facebook.com/LiebherrConstruction

Liebherr USA, Co. · 7075 Bennington Street · Houston, TX 77028-5812
Phone (713) 636-4050 · crawler.cranes.usa@liebherr.com · www.liebherr.com
facebook.com/LiebherrConstruction