



User Guide

Quality, Design and Innovation









home.liebherr.com/fridge-manuals



LIEBHERR

Contents

| | | |
|-------------------------------------------------------------------------------------|-------------------------------------------------------|-----------|
| 1 | Appliance at a glance..... | 3 |
| 1.1 | Scope of delivery..... | 3 |
| 1.2 | Overview of the appliance and equipment..... | 3 |
| 1.3 | SmartDevice..... | 3 |
| 1.4 | Appliance range of use..... | 3 |
| 1.5 | Conformity..... | 4 |
| 1.6 | SVHC substances according to REACH regulation..... | 4 |
| 1.7 | EPREL database..... | 4 |
| 1.8 | Spare parts..... | 4 |
| 2 | General safety instructions..... | 4 |
| 3 | Functionality of the display..... | 5 |
| 3.1 | Navigation by touchbutton and symbol explanation..... | 5 |
| 3.2 | Menus..... | 6 |
| 4 | Putting into operation..... | 7 |
| 4 | Installation conditions..... | 7 |
| 4.1 | Location..... | 7 |
| 4.2 | Installing multiple appliances..... | 7 |
| 4.3 | Mains connection..... | 8 |
| 4.4 | Installation dimensions..... | 8 |
| 4.4 | Ventilation requirements..... | 8 |
| 4.5 | Connection dimensions for the power supply..... | 8 |
| 4.6 | Transporting appliance..... | 8 |
| 4.7 | Unpacking the appliance..... | 9 |
| 4.8 | Mounting wall spacers..... | 9 |
| 4.9 | Setting up the appliance..... | 9 |
| 4.10 | Setting up the appliance so that it is level..... | 9 |
| 4.11 | After setting up..... | 9 |
| 4.12 | Under-counter installation..... | 9 |
| 4.13 | Disposing of packaging..... | 10 |
| 4.13 | What the symbols mean..... | 10 |
| 4.14 | Swapping the door hinge side..... | 11 |
| 4.15 | Connecting the appliance to the power supply..... | 14 |
| 4.16 | Switching on device (first use)..... | 15 |
| 5 | Storage..... | 15 |
| 5.1 | Information regarding storage..... | 15 |
| 5.2 | Fridge compartment..... | 16 |
| 5.3 | EasyFresh..... | 16 |
| 5.4 | ****-freezer compartment*..... | 16 |
| 5.5 | Storage times..... | 16 |
| 6 | Saving energy..... | 16 |
| 7 | Controls..... | 17 |
| 7.1 | Operating controls and display elements..... | 17 |
| 7.1.1 | Temperature display/Status indicator..... | 17 |
| 7.1.2 | LED behaviour..... | 17 |
| 7.1.3 | Audible signals..... | 17 |
| 7.2 | Appliance functions..... | 18 |
| 7.2.1 | Notes on the appliance functions..... | 18 |
| | Switching the appliance off and on..... | 18 |
|  | Temperature..... | 18 |
|  | SuperCool..... | 18 |
|  | SabbathMode..... | 19 |
|  | Input lock..... | 19 |
|  | WLAN..... | 20 |
|  | Demo mode..... | 20 |



Resetting to factory settings..... 21

| | | |
|-------|----------------------|----|
| 7.3 | Messages..... | 21 |
| 7.3.1 | Ending messages..... | 21 |

| | | |
|----------|----------------------------------|-----------|
| 8 | Features..... | 22 |
| 8.1 | 4-star freezer compartment*..... | 22 |
| 8.2 | Door rack..... | 22 |
| 8.3 | Shelves..... | 23 |
| 8.4 | Dividing shelf*..... | 23 |
| 8.6 | Egg rack*..... | 24 |
| 8.7 | Bottle holder..... | 24 |
| 8.8 | FlexCube..... | 24 |



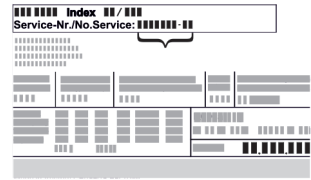


| | | |
|----------|---------------------------------------------------|-----------|
| 9 | Maintenance..... | 25 |
| 9.1 | Defrosting the appliance..... | 25 |
| 9.2 | Defrosting the freezer compartment manually*..... | 25 |
| 9.3 | Cleaning the appliance..... | 25 |



| | | |
|-----------|-------------------------------|-----------|
| 10 | Customer help..... | 26 |
| 10.1 | Technical specifications..... | 26 |
| 10.2 | Operating noises..... | 26 |
| 10.3 | Technical fault..... | 27 |
| 10.4 | Customer Service..... | 28 |
| 10.5 | Model plate..... | 28 |

| | | |
|-----------|---------------------------|-----------|
| 11 | Shutting down..... | 28 |
|-----------|---------------------------|-----------|

| | | |
|-----------|-----------------------------------------------------------------------|-----------|
| 12 | Disposal..... | 28 |
| 12.1 | Preparing appliance for disposal..... | 28 |
| 12.2 | Disposing of the appliance in an environmentally friendly manner..... | 29 |

The manufacturer is continually working on the further development of all types and models. Please be aware that we reserve the right to make changes to the shape, equipment and technology.

| Symbol | Explanation |
|-------------------------------------------------------------------------------------|-------------------------------------------------------------------------------------------------------------------------------------------------------------------------------------------------------------------------------------------------------------------------------------------------------------------------------------------------------------------------------------------------------------------------------------------------------------------------------------------------|
|  | Read instructions Please read the information in these instructions carefully to understand all of the benefits of your new appliance. |
|  | Additional information on the Internet The digital manual with additional information and in other languages can be found via the QR code on the front of the manual or by entering the service number at home.liebherr.com/fridge-manuals . The service number can be found on the serial tag:  <i>Fig. Example illustration</i> |
|  | Check appliance Check all parts for transport damage. If you have any complaints, please contact your agent or customer service. |
|  | Differences These instructions apply to a range of models, so differences are possible. Sections that apply to certain models only are marked with an asterisk (*). |

| Symbol | Explanation |
|----------------------------------------------------------------------------------|------------------------------------------------------------------------------------------------------------|
|  | Instructions and results Instructions are marked with a ▶. Results are marked with a ▷. |
|  | Videos Videos about the appliances are available on the YouTube channels of Liebherr-Hausgeräte. |

Open source licences:

The appliance contains software components that use open source licences. Information on the open source licences used can be found here: home.liebherr.com/open-source-licences

These operating instructions apply to:

R..i 16..

1 Appliance at a glance

1.1 Scope of delivery

Check all parts for transport damage. Contact your dealer or customer service in the event of complaints. (see 10.4 Customer Service)

Your new appliance comes with the following parts:

- Standalone appliance
- Features (depending on the model)
- Installation materials (depending on the model)
- "Quick Start Guide"
- Service Brochure

1.2 Overview of the appliance and equipment

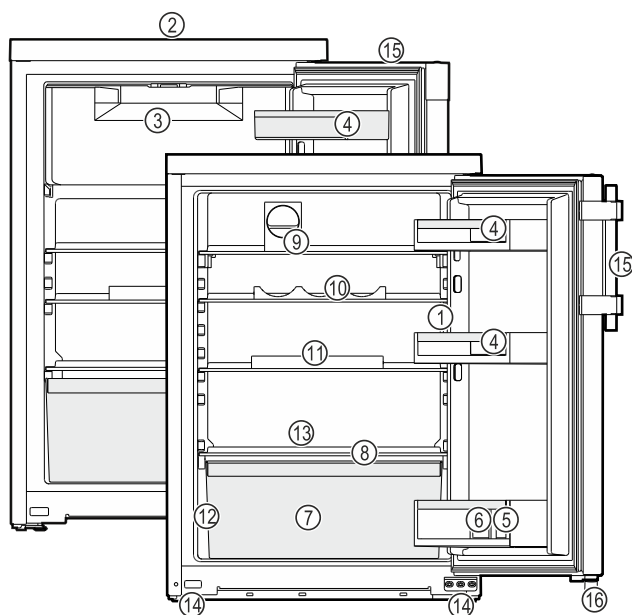


Fig. 1 Example illustration

- | | |
|--------------------------|------------------------------|
| (1) Controls, lighting | (9) FlexCube* |
| (2) Ventilation slot | (10) Triple Flex |
| (3) Freezer compartment* | (11) Egg tray* |
| (4) Tin shelf | (12) Type plate |
| (5) Bottle shelf | (13) Defrost water drain |
| (6) Bottle holder | (14) Adjustable feet (front) |

- | | |
|-------------------------------------|----------------------------------|
| (7) Vegetable bins/Easy-Fresh-Safe* | (15) Lever grip/recessed handle* |
| (8) EasyFresh-Safe lid* | (16) Spacer* |

Note

- ▶ Shelves, drawers and baskets are arranged for optimum energy efficiency when the appliance is delivered. Changing how the shelves, for example, are inserted in the fridge compartment does not have any impact on energy consumption.

1.3 SmartDevice

SmartDevice is the networking solution for your refrigerator. You can quickly and easily connect your SmartDevice-enabled appliance to your WiFi. With the SmartDevice app, you can operate your appliance from a mobile device. Additional functions and setting options are available in the SmartDevice SmartDevice app.

SmartDevice-enabled appliance: Your appliance is capable of being a SmartDevice. To be able to connect your device to WiFi, you need to download the SmartDevice app.



More information about SmartDevice: smartdevice.liebherr.com

Downloading the SmartDevice app:



After installing and configuring the SmartDevice, you can connect your appliance to the WiFi using the SmartDevice app and the WiFi appliance function (see WLAN).

Note

The SmartDevice function is not available in the following countries: Russia, Belarus, Kazakhstan.

1.4 Appliance range of use

Intended use

The appliance is only suitable for cooling food products in a domestic or household-like environment. This includes, for example, use:

- in staff kitchens, bed and breakfast establishments,
- by guests in country houses, hotels, motels and other accommodation,
- for catering and similar services in the wholesale trade.

The appliance is not suitable for freezing food*.

The appliance is not suitable as a built-in unit.

General safety instructions

All other types of use are not permitted.

Foreseeable misuse

The following applications are expressly forbidden:

- Storing and refrigerating medicines, blood plasma, laboratory preparations or similar substances and products based on the Medical Device Directive 2007/47/EC
- Use in areas at risk of explosions

Misusing the appliance may lead to damage to the goods stored or they may spoil.

Climate classifications

Depending on the climate classification the appliance is designed to operate in restricted ambient temperatures. The climate classification applying to your appliance is printed on the rating plate.

Note

- Keep to the specified ambient temperatures in order to guarantee that the appliance works properly.

| Climate classification | for ambient temperatures of |
|------------------------|-----------------------------|
| SN | 10 °C to 32 °C |
| N | 16 °C to 32 °C |
| ST | 16 °C to 38 °C |
| T | 16 °C to 43 °C |
| SN-ST | 10 °C to 38 °C |
| SN-T | 10 °C to 43 °C |

1.5 Conformity

The refrigerant circuit has been tested for leaks. The appliance complies with the applicable safety regulations and with the corresponding directives.

For the EU market: The appliance complies with directive 2014/53/EU.

For the GB market: The appliance complies with Radio Equipment Regulations 2017 SI 2017 No. 1206.

The full text of the EU Declaration of Conformity is available on the following website: www.Liebherr.com

1.6 SVHC substances according to REACH regulation

You can check whether your appliance contains SVHC substances according to REACH regulation at the following link: home.liebherr.com/de/deu/de/liebherr-erleben/nachhaltigkeit/umwelt/scip/scip.html

1.7 EPREL database

Details about energy labelling and ecodesign requirements will be available on the European product database (EPREL) from 1st March 2021. You can access the product database

at the following link: <https://eprel.ec.europa.eu/> You will be asked to enter the model ID. You can find the model ID on the nameplate.

1.8 Spare parts

The spare parts availability for functional parts and stockable parts of the equipment is 15 years.

2 General safety instructions

Please keep these operating instructions in a safe place so you can refer back to them at any time.

If you pass the appliance on, please hand these operating instructions to the next user.

Read these operating instructions carefully before use to ensure safe and correct use of the appliance. Follow the instructions, safety instructions and warning messages included at all times. They are important for ensuring you can operate and install the appliance safely and without any problems.

Danger for the user:

- This device can be used by children and people with impaired physical, sensory or mental abilities or with a lack of experience and knowledge provided that they are supervised or have received instruction in the safe use of this device, and about the resulting hazards. Children must not play with this appliance. Cleaning and user maintenance work must not be carried out by children without adult supervision. Children aged between 3 and 8 are allowed to load and unload the appliance. Children below the age of 3 must be kept away from the appliance unless they are under continuous adult supervision.
- The socket must be easily accessible so that the appliance can be disconnected quickly from the electricity in an emergency. It must not be located in the area behind the appliance.
- When disconnecting the appliance from the supply, always take hold of the plug. Do not pull the cable.
- In the event of a fault pull out the mains plug or deactivate the fuse.
- Do not damage the mains power cable. Do not operate the appliance with a defective mains power cable.
- Only customer service or other specially trained staff may repair or perform other operations on the appliance.
- Only assemble, connect and dispose of the appliance according to the instructions.

Fire hazard:

- The coolant used (information on the model plate) is ecofriendly but also flammable. Any leaking coolant may ignite.
 - Do not damage the refrigerant circuit pipes.
 - Do not handle ignition sources inside the appliance.
 - Do not use electrical appliances inside the appliance (e.g. steam cleaners, heaters, ice cream makers, etc.).
 - If the refrigerant leaks: remove any naked flames or ignition sources from the vicinity of the leakage point. Properly air the room. Inform customer services.
- Do not store explosives or sprays using combustible propellants such as butane, propane, pentane, etc. in the appliance. To identify these spray cans, look for the list of contents printed on the can, or a flame symbol. Gases possibly escaping may ignite due to electrical components.
- Keep burning candles, lamps and other items with naked flames away from the appliance so that they do not set the appliance on fire.
- Please be sure to store alcoholic drinks or other packaging containing alcohol in tightly closed containers. Any alcohol that leaks out may be ignited by electrical components.

Danger of tipping and falling:

- Do not misuse the plinth, drawers, doors etc. as a step or for support. This applies particularly to children.

Danger of food poisoning:

- Do not consume food which has been stored too long.

Danger of frostbite, numbness and pain:

- Avoid prolonged skin contact with cold surfaces or refrigerated/frozen goods or take protective measures, e.g wear gloves.

Danger of injury and damage:

- Hot steam can lead to injury. Do not use electrical heating or steam cleaning equipment, open flames or defrosting sprays to defrost.
- Do not use sharp implements to remove the ice.

Risk of crushing:

- Do not hold the hinge when opening and closing the door. Fingers may get caught.

Symbols on the appliance:



This symbol may be located on the compressor. It relates to the oil in the compressor and makes reference to the risk that: Swallowing or inhaling can be fatal. This advice is only relevant to recycling. There is no danger in normal operation.



This symbol is located on the compressor and indicates the danger of flammable materials. Do not remove the sticker.



This or a similar sticker may be located on the rear of the appliance. This sticker indicates that there are vacuum insulation panels (VIP) or perlite panels in the door and/or housing. This advice is only relevant to recycling. Do not remove the sticker.

Please note the warning messages and other specific advice in the other chapters:

| | | |
|--|---------|-----------------------------------------------------------------------------------------------------------------|
| | DANGER | indicates an immediately hazardous situation which will lead to death or serious injuries if it is not avoided. |
| | WARNING | indicates a hazardous situation which may lead to death or serious injuries if it is not avoided. |
| | CAUTION | indicates a hazardous situation which may lead to minor or moderate injuries if it is not avoided. |
| | NOTICE | indicates a hazardous situation which may lead to damage to property if it is not avoided. |
| | Note | indicates useful instructions and tips. |

3 Functionality of the display





You operate your device with the touchbutton.

3.1 Navigation by touchbutton and symbol explanation

In the illustrations, different symbols are used to navigate the display by touchbutton. The following table describes these symbols.

| Symbol | Description |
|--------|------------------------------------------------------------------------------------------------------------------------------------------------------------------------------------------------------------------------------------------------------------------------------------------------|
| | <p>Touch the touchbutton with your finger briefly:</p> <p>Navigate through main menu and submenu.</p> <p>If a number is shown on the hand:</p> <p>The number tells you how many times you have to touch the touchbutton briefly in succession to navigate to a particular function.</p> |

Functionality of the display

| Symbol | Description |
|-----------------------------------------------------------------------------------|-----------------------------------------------------------------------------------------------------------------------------------------------------------------------------------------------------------------------------|
|  | Touch the touchbutton with your finger for 3 seconds: Switch on the device. In the main menu: Switch off the device. In the submenu: Switch to the main menu. Deactivate active function of the submenu. |
|  | Touch the touchbutton with your finger for 7 seconds: In the main menu: Open the submenu. |
|  | Arrow with clock: It takes more than 10 seconds for the following message to appear in the display. |
|  | Arrow with a time indication: It takes the specified amount of time until the following message appears in the display. |

Note

If you touch the touchbutton for **10 seconds**, then you activate the demo mode.

► Deactivating demo mode. (see Deactivating demo mode)
If you touch the touchbutton for **15 seconds**, then you open the service menu. You can recognise the service menu by the flashing of LED 5 and the WLAN LED. This menu is especially for service technicians.

► Exiting the service menu: Touch the touchbutton for 3 seconds or perform no action on the display for 5 minutes.




3.2 Menus



The device functions can be found in various menus.

| Menu | Description |
|-----------|------------------------------------------------------------------------------------------------------------------------------------|
| Main menu | When you switch the device on, you are automatically in the main menu. From here, navigate to device functions and the submenu. |
| Submenu | The submenu contains additional device functions for setting up your device. |

3.2.1 Main menu

In the main menu, it is possible to activate/deactivate the following functions:

| LED | Description |
|-------------------------------------------------------------------------------------|------------------|
|  | SuperCool |
|  | Temperature 3 °C |
|  | Temperature 5 °C |

| LED | Description |
|-----------------------------------------------------------------------------------|------------------|
|  | Temperature 7 °C |
|  | Temperature 9 °C |

Meaning of the LEDs in the main menu

3.2.1 Opening the submenu

When you switch the device on, you are automatically in the main menu.

If you are in the submenu and want to switch to the main menu:

► Carry out action steps (see 3.2.2 Exiting the submenu) .

3.2.1 Navigating in the main menu

If you navigate in the main menu, LED 5 is followed by LED 1 again.

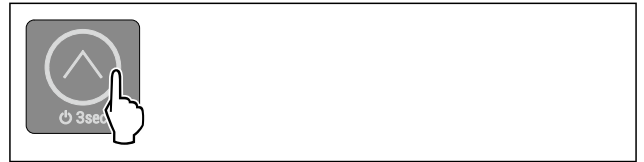


Fig. 2

► Touch the touchbutton briefly until the LED of the desired function lights up.

▷ Function is activated.

3.2.1 Sleep mode of the display

If you do not touch the touchbutton in the main menu for 10 seconds, the display switches to sleep mode. Sleep mode prevents you from adjusting the temperature by accidentally touching the touchbutton.

Ending sleep mode:



Fig. 3

► Briefly touch the touchbutton.


▷ Confirmation tone sounds.



▷ Set temperature flashes once.

▷ Sleep mode is ended.

3.2.2 Submenu

In the submenu, the following functions can be activated/deactivated:

| LED | Description |
|-------------------------------------------------------------------------------------|-------------|
|  | Input lock |

| LED | Description |
|----------------------------------------------------------------------------------|-------------------------------|
|  | SabbathMode |
|  | Resetting to factory settings |

Meaning of the LEDs in the submenu

3.2.2 Opening submenu



Fig. 4

- ▶ Carry out the steps as shown in the illustration until you hear a double confirmation tone after 7 seconds.
- ▷ LEDs 1-5 light up: You are in the submenu.
- ▷ If you do not perform any action on the display for 5 seconds, the display returns to the main menu.

3.2.2 Exiting the submenu



Fig. 5

- ▶ Carry out action steps according to the illustration.
- or-
- ▶ Do not touch the touchbutton for 5 seconds.
- ▷ You are in the main menu.

3.2.2 Navigating in the submenu

If you navigate in the submenu, LED 1 follows the LED of the last function in the submenu.



Fig. 6

- ▶ Touch the touchbutton briefly until the LED of the desired function lights up.
- ▷ After 5 seconds without interaction, selected function is automatically activated.

4 Putting into operation

4 Installation conditions



WARNING

Fire hazard due to dampness!

If live parts or the mains lead become damp this may cause short circuits.

- ▶ The appliance is designed for use in enclosed areas. Do not operate the appliance outdoors or in areas where it is exposed to splash water or damp conditions.

Intended use

- Install and use the appliance in indoor spaces only.

4.1 Location



WARNING

Leaking coolant and oil!

Fire. The coolant contained in the appliance is eco-friendly, but also flammable. The oil contained in the appliance is flammable. Escaping coolant and oil can ignite if the concentration is high enough and in contact with an external heat source.

- ▶ Do not damage the pipelines of the coolant circuit and the compressor.

- If the appliance is installed in a very humid environment, condensation can build up on the outside of the unit. Always ensure good airflow and ventilation in the installation location.
- The more refrigerant there is in the appliance, the larger the space that it is installed in must be. If the space is too small, any leak may create a flammable mixture of gas and air. For every 8 g of refrigerant, the installation space must be at least 1 m³. Information regarding the coolant can be found on the serial tag inside the appliance.

4.1.1 Supporting floor

- The floor of the installation site must be horizontal and even.
- The surface supporting the appliance must be at the same level as the surrounding floor.

4.1.2 Positioning

- Do not place the appliance in direct sunlight or near radiators or similar sources of heat.
- You can place the appliance directly next to an oven.
- If the appliance is placed directly next to an oven, the energy consumption may increase slightly. This is dependent on the service life and usage intensity of the oven.
- Install the appliance with the rear panel up against the wall and always use the supplied wall spacers (see below).

4.2 Installing multiple appliances

The appliances have been developed for different installation methods. If you wish to install several appliances next to each other or on top of each other, ensure that the following requirements are met:

Installation conditions

- Only install appliances next to or on top of each other if they have been developed for this.
- Observe notices and the following table.

NOTICE

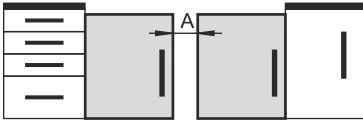
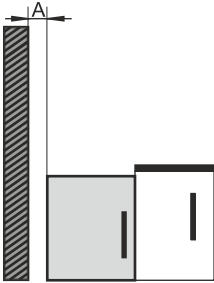
Risk of damage due to condensate!

- ▶ Do not place the appliance directly next to another cooling/refrigeration unit.

NOTICE

Risk of damage due to condensation!

- ▶ Do not place the appliance directly on top of another cooling/refrigeration unit.

| Model | Installation method |
|---------------------------------------------------------|--------------------------------------------------------------------------------------------------------------------------------------------------------------------------------------------------------------------------------------------------------------------------------------------------------------------------------------------------------------------------------------------------------------------------------------------------------------------------------------------------------------------------------------------------------------------------------|
| All models | Standalone |
| Models with model designation starting with S... | Side-by-Side (SBS) |
| Models without side wall heating |  <p>Next to each other: Install with gap A of 100 mm between the appliances. If you do not comply with this gap, condensation will form on the side walls between the appliances.</p>  <p>On an exterior wall: Install with gap A as with installation next to each other. If you do not comply with this gap, condensation may form on the appliance's side wall.</p> |

Models and their installation method

4.3 Mains connection



WARNING

Danger of fire due to incorrect positioning!

If the mains cable or plug touches the back of the appliance, the vibration can damage the mains cable or the plug resulting in a short circuit.

- ▶ Make sure the mains cable is not trapped under the appliance when you position the appliance.
- ▶ Stand the appliance so that it is not touched by connectors or main cables.
- ▶ Do not connect any appliances to sockets in the area of the back of the appliance.
- ▶ Do **not** place and operate multi-sockets/power distributors and other electronic devices (such as halogen transformers) at the back of the appliances.

4.4 Installation dimensions

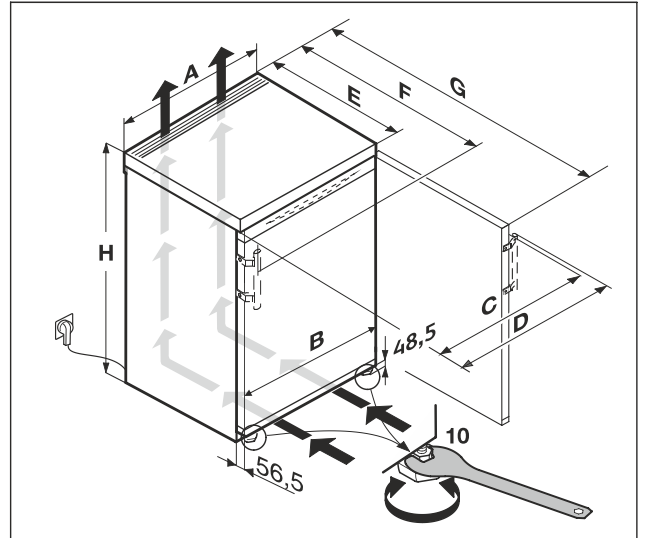


Fig. 7

| Dimensions with lever handle (mm): | | | | | | | | |
|------------------------------------|-----|-----|-----|-----|-----|------|------|-------|
| | H | A | B | C | D | E | F | G |
| R..16.. | 850 | 600 | 597 | 595 | 639 | 607* | 648* | 1162* |

* This dimension increases by 35 mm on appliances with attached wall spacer brackets. (see 4.8 Mounting wall spacers)

4.4 Ventilation requirements

NOTICE

Danger of overheating due to insufficient air ventilation! The compressor may be damaged if there is insufficient air ventilation.

- ▶ Take care to ensure adequate air ventilation.
- ▶ Observe the ventilation requirements.

If the appliance is integrated into a fitted kitchen, the following ventilation requirements must be adhered to:

- As a rule, the larger the ventilation space the more efficiently the appliance can run.

4.5 Connection dimensions for the power supply

The connection to the power supply is on the rear of the appliance. To connect your appliance safely, ensure that the following requirements are met:

- Dimensions for the connection to the power supply are known and are adhered to. See table below.
- Connection to the power supply according to the instructions. (see 4.15 Connecting the appliance to the power supply)

4.6 Transporting appliance

Note when transporting the appliance:

- ▶ Transport the appliance upright.
- ▶ Use two people to transport the appliance.

During first use:

- ▶ Transport the appliance packaged.

When transporting appliances after initial commissioning (e. g. moving or cleaning):

- ▶ Empty the appliance.
- ▶ Secure the door against unintentional opening.

4.7 Unpacking the appliance

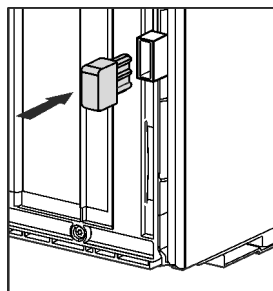
Before you connect the appliance, report any damage immediately to the delivery company.

- ▶ Check the appliance and the packaging for damage during transport. Contact the supplier immediately if you suspect any level of damage.
- ▶ Remove all materials from the back or the side walls of the appliance that may prevent proper installation or ventilation.
- ▶ Remove all protective films from the appliance. Do not use sharp or pointed objects for this.

4.8 Mounting wall spacers

With wall spacers, your device achieves the declared energy consumption and no condensation forms in high ambient humidity. The device is fully functional without the spacer brackets, but its energy consumption will be slightly higher.

If you insert the wall spacers, then the device depth increases by approx. 35 mm.



- ▶ Appliance with enclosed wall spacers: Insert the wall spacers on the rear of the appliance at the bottom left and right.

4.9 Setting up the appliance



CAUTION

Risk of injury due to heavy appliance!

- ▶ Have two people transport the appliance to its installation site.



WARNING

Risk of fire due to short circuit!

- ▶ When you set the appliance up: do not kink, jam or damage the mains cable.
- ▶ The appliance must not be operated with a defective mains cable.



WARNING

Danger of injury and damage due to the appliance being unstable!

The appliance can topple over.

- ▶ Secure the appliance as described in the instructions.



WARNING

Fire hazard and danger of damage!

- ▶ Do not place appliances emitting heat e.g. microwaves, toasters etc. on the appliance!

Ensure that the following conditions are met:

- Only move the device when it is not loaded.
- Only install the appliance with help.

- ▶ Remove the mains cable from the package.
- ▶ Plug the mains cable's IEC socket completely into the appliance plug on the back of the appliance. Ensure that the IEC socket is tight.
- ▶ Use a cord to lay the mains plug to a freely accessible socket if required.

4.10 Setting up the appliance so that it is level

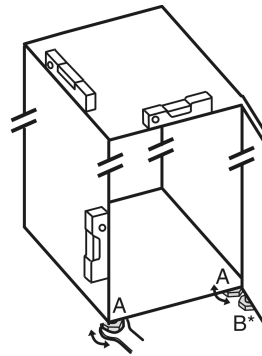


Fig. 8

- ▶ Unscrew the adjustable feet Fig. 8 (A) using the enclosed open-end spanner and a spirit level until the appliance is firmly aligned and level.



CAUTION

Risk of injury or damage from the appliance tipping or the door falling open!*

If the additional adjustable foot on the base support is not correctly positioned on the floor, there is a risk of the door falling open or the appliance tipping. This can lead to injury or property damage.

- ▶ Unscrew the additional adjustable foot on the swap bearing block as instructed.

- ▶ Unscrew the adjustable foot Fig. 8 (B) on the swap bearing block with the enclosed open-end spanner until it rests on the floor.

- ▶ Turn the adjustable foot Fig. 8 (B) 90° further.

▷ The appliance is aligned.

4.11 After setting up

- ▶ Take off the protective film from the exterior of the appliance.
- ▶ Take off the protective film from the trim panels.*
- ▶ Remove all transport safety components.
- ▶ Clean the device. (see 9.3 Cleaning the appliance)
- ▶ Note the type (model, number), appliance designation, appliance/serial number, purchase date and dealer's address.

4.12 Under-counter installation



WARNING

Risk of fire due to short circuit!

- ▶ Do not crush, pinch or damage the mains cable when inserting the appliance into the niche.

- ▶ The appliance must not be operated with a defective mains cable.

Installation conditions

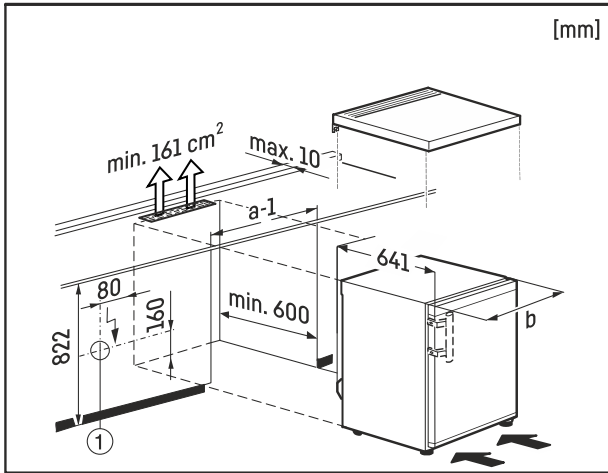


Fig. 9

Tabletop appliances, up to 850 mm high, can be installed underneath. For continuous worktops, the refrigerator table top can be removed and the appliance slid underneath the worktop.

The socket Fig. 9 (1) must be away from the rear of the appliance and must be easily accessible.

For ventilation at the rear of the appliance, a ventilation cross section of at least 161 cm² is required in the worktop. The wall end profile on the worktop may be max. 10 mm deep for a 600 mm substructure depth.

4.12.1 Removing the table top

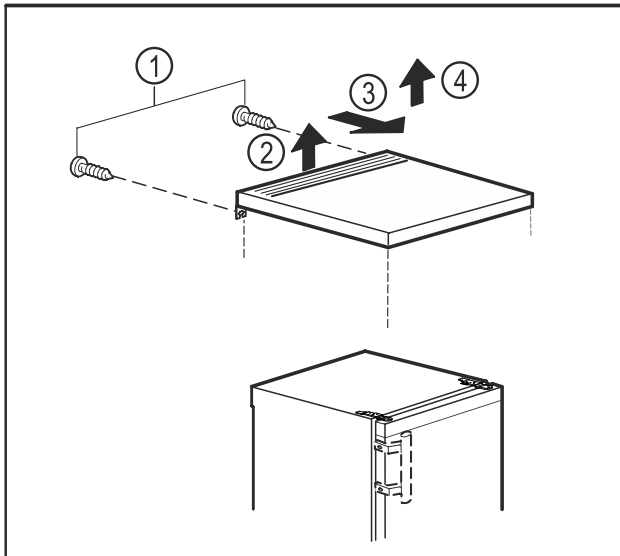


Fig. 10

- ▶ Remove the screws on the rear side. Fig. 10 (1)
- ▶ Raise the table top at the back. Fig. 10 (2)
- ▶ Push the table top forwards. Fig. 10 (3)
- ▶ Remove the table top upwards. Fig. 10 (4)

4.12.2 Fitting the table top

If necessary, you can refit the table top.

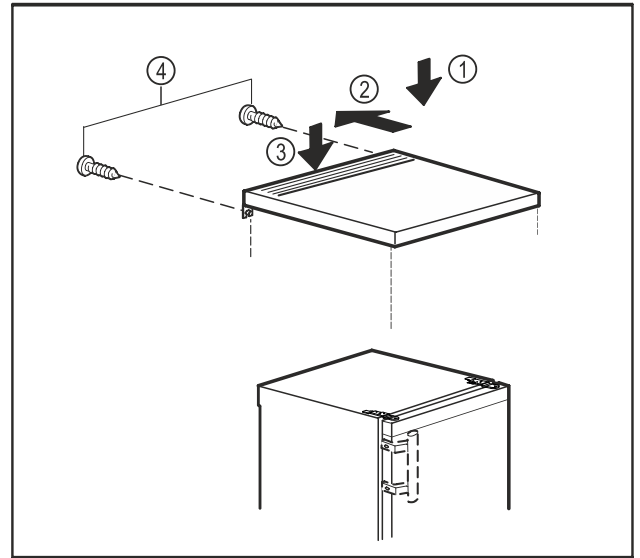


Fig. 11

- ▶ Place the table top on the appliance. Fig. 11 (1)
- ▶ Push the table top backwards. Fig. 11 (2)
- ▶ Press the table top down at the back. Fig. 11 (3)
- ▶ Tighten the screws on the rear end. Fig. 11 (4)

4.13 Disposing of packaging



WARNING

Danger of suffocation due to packing material and plastic film!

- ▶ Do not allow children to play with packing material.










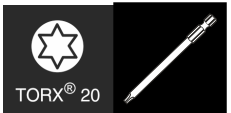





The packaging is made of recyclable materials:







- corrugated board/cardboard
- expanded polystyrene parts
- polythene bags and sheets
- polypropylene straps
- nailed wooden frame with polyethylene panel*

- ▶ Take the packaging material to an official collecting point.

4.13 What the symbols mean

| | |
|--|-------------------------------------------------------------------------------------------------------|
| | Risk of injury here! Follow the safety notes! |
| | These instructions apply to a range of models. Follow this step only if it applies to your appliance. |
| | To install, please follow the detailed description in the Guide. |
| | This section applies either to a single-door appliance or a double-door appliance. |

| | |
|--------------------------------------------------------------------------------------------------------------------------------------------------------------------------|----------------------------------------------------------------------------------------------------------------------------------|
|  | Choose one of the options: Appliance with right-hinged door or appliance with left-hinged door. |
|  | Installation step required if your model has IceMaker and/or InfinitySpring. |
|  | Just loosen the screws or tighten them slightly. |
|  | Tighten the screws. |
|  | Check to see if the next step applies for your model. |
|  | Check the correct assembly/seat of the components used. |
|  | Measure the specified measurement and adjust if necessary. |
|  | Tool for assembly: Metre rule |
|   | Tool for assembly: Cordless screwdriver and attachments A lengthwise bit insert is recommended for good access to the screws. |
|  | Tool for assembly: Spirit level |
|  | Tool for assembly: Size 7 and size 10 spanners |
|  | Two people are required for this step. |
|  | Carry out this step at the marked place on the appliance. |
|  | Aids for assembly: String |

| | |
|-----------------------------------------------------------------------------------|--------------------------------------------------|
|  | Aids for assembly: Square |
|  | Aids for assembly: Screwdriver |
|  | Aids for assembly: Scissors |
|  | Aids for assembly: Non-permanent marker pen |
|  | Accessory kit: Remove components |
|  | Dispose of components that are no longer needed. |

4.14 Swapping the door hinge side

Tool

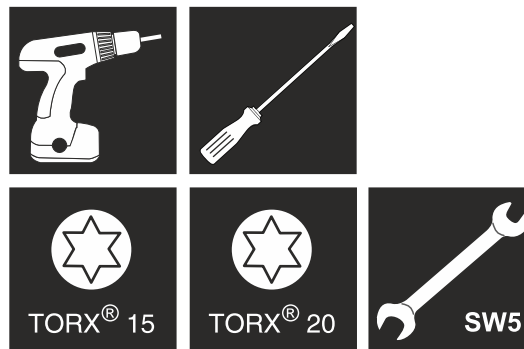


Fig. 12



WARNING

Danger of injury due to door falling out!

If the bearing parts are not screwed on tightly enough, the door may fall out. This can result in serious injuries. In addition, the door may not close with the result that the appliance does not cool properly.

- ▶ Screw on the bearing brackets/bearing pins tightly with 4 Nm.
- ▶ Check all screws and retighten them if necessary.

Installation conditions

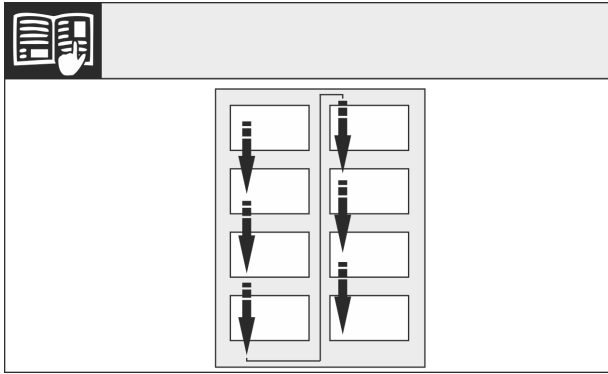


Fig. 13

Note the direction of reading.

4.14.1 Preparation

Note

- ▶ Remove any food from the door racks before removing the door, so that no food falls out.

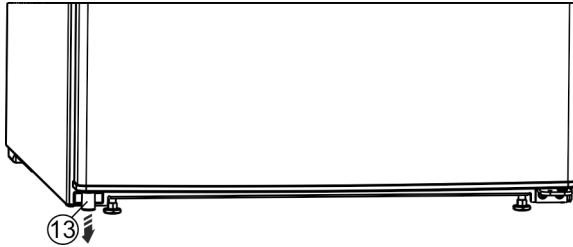


Fig. 14 *

- ▶ Tilt the device backwards with two persons.
- ▶ Remove the spacer Fig. 14 (13) from under the left-hand side of the door.*

4.14.2 Loosen the lower bearing components



CAUTION

Risk of injury if the door tips!

- ▶ Take good hold of the door.
- ▶ Set down the door carefully.

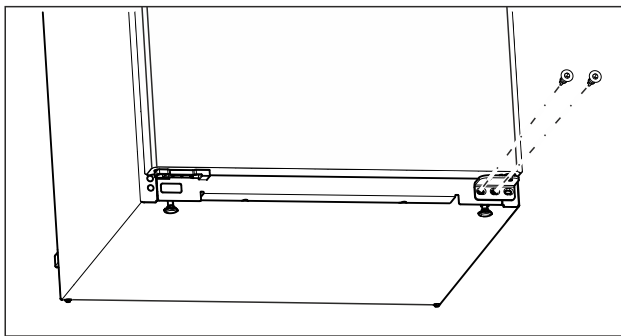


Fig. 15

- ▶ Unscrew the middle screw on the lower swap bearing block with a Torx 20 screwdriver. (see Fig. 15)
- ▶ Unscrew the inner screw on the lower swap bearing block with a Torx 20 screwdriver. (see Fig. 15)
- ▶ Put the screws aside.

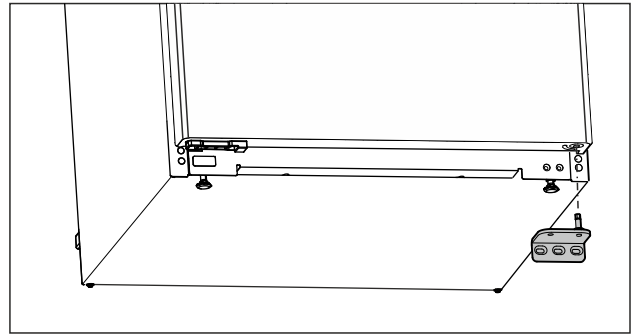


Fig. 16

- ▶ Remove the swap bearing block downwards. (see Fig. 16)
- ▶ Set the swap bearing block aside.

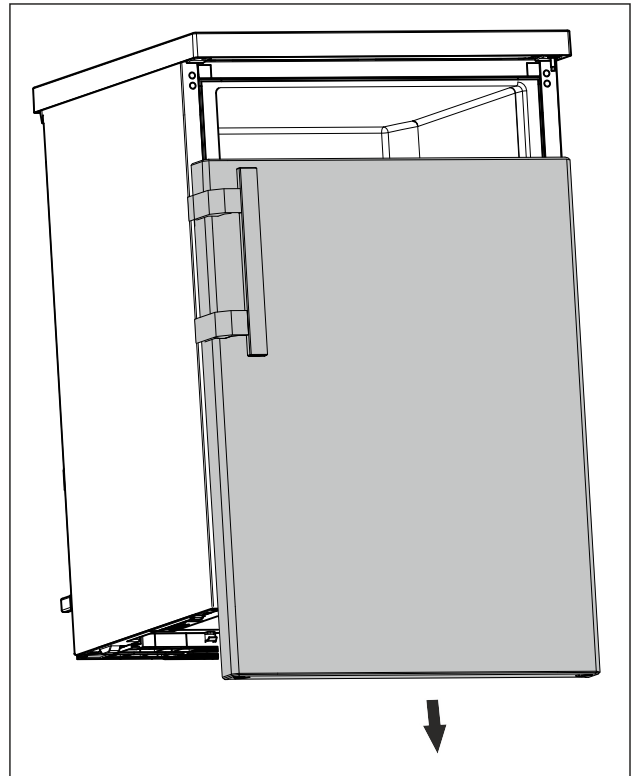


Fig. 17

- ▶ Remove the door downwards. (see Fig. 17)
- ▶ Set down the door.

4.14.3 Preparing the door

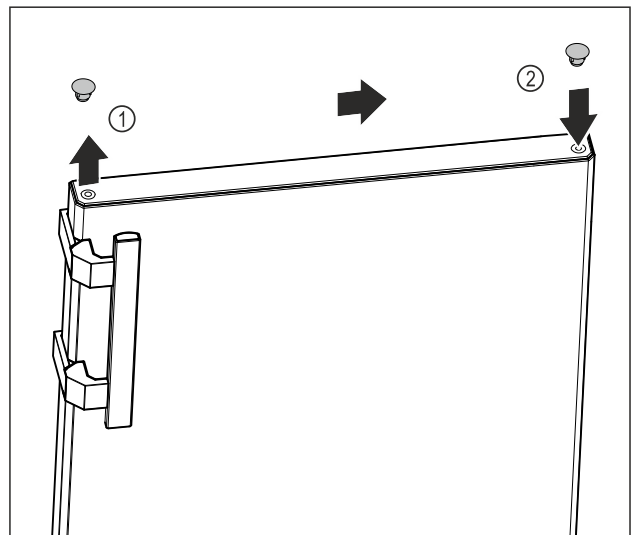


Fig. 18

- ▶ Carefully lift the cover plug on the top of the door *Fig. 18 (1)* with a slotted screwdriver.
- ▶ Insert the cover plug on the opposite side. *Fig. 18 (2)*

4.14.4 Re-locating the handle

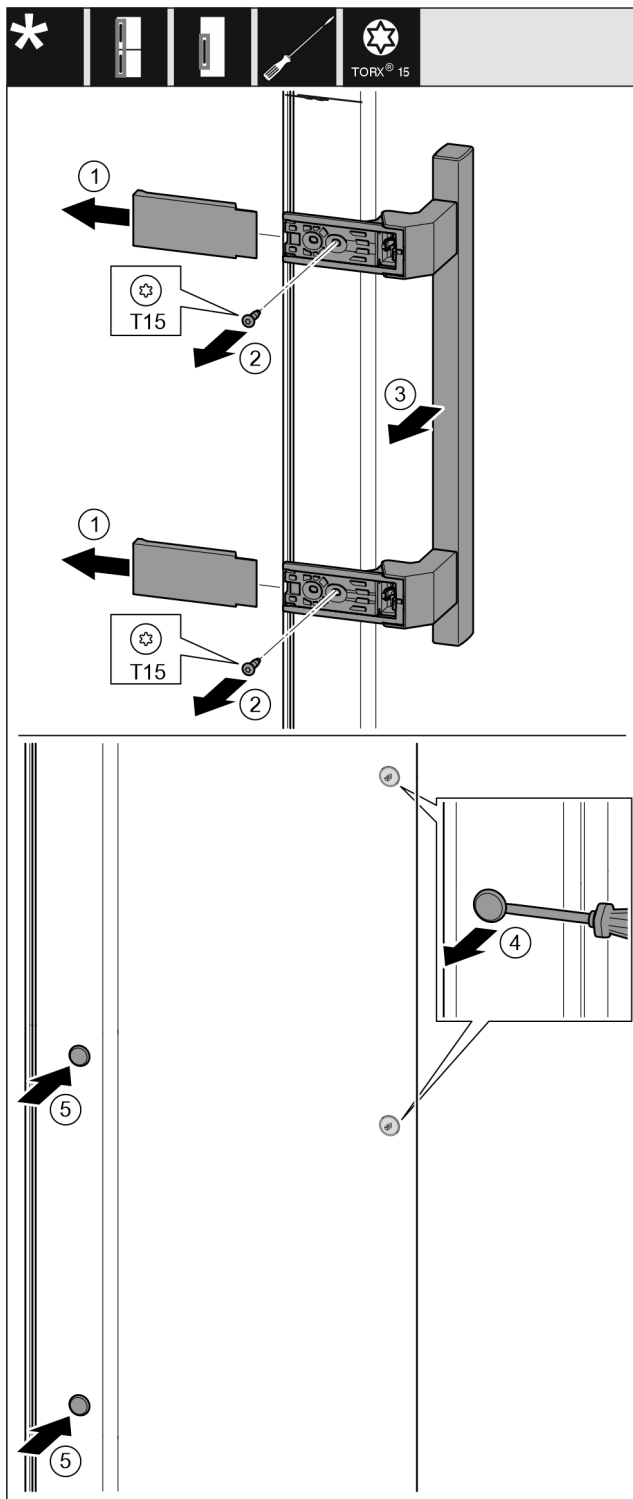


Fig. 19

- ▶ Pull off the cover. *Fig. 19 (1)*
- ▶ Unscrew the screws with a Torx 15 screwdriver. *Fig. 19 (2)*
- ▶ Take off the handle. *Fig. 19 (3)*
- ▶ Carefully lift the side plug with a slotted screwdriver and pull it out. *Fig. 19 (4)*
- ▶ Replace the plug on the other side. *Fig. 19 (5)*

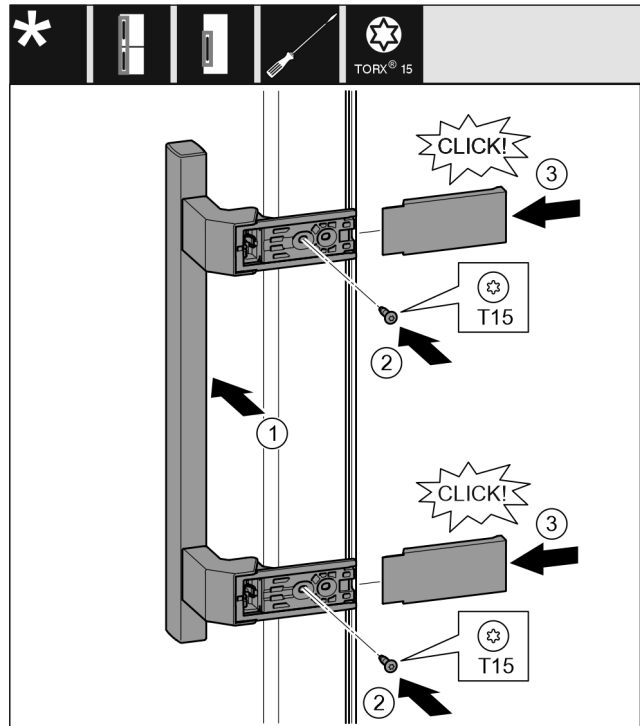


Fig. 20

- ▶ Attach the handle on the opposite side. *Fig. 20 (1)*
- ▶ The screw holes must be exactly on top of each other.
- ▶ Tighten screws with screwdriver T15. *Fig. 20 (2)*
- ▶ Place the covers on the side and push them on. *Fig. 20 (3)*
- ▶ Ensure that they latch into place.

4.14.5 Relocating the bearing components

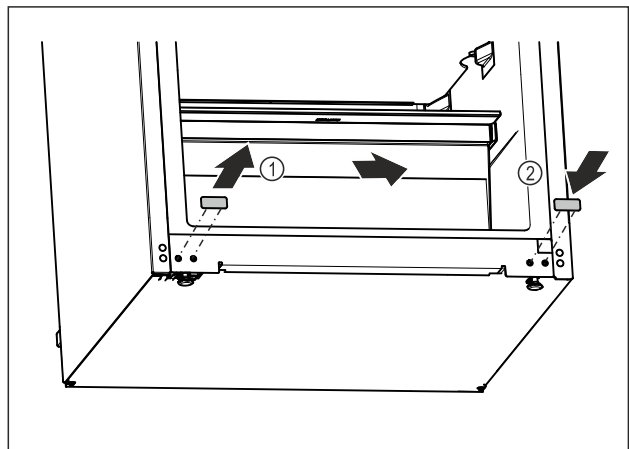


Fig. 21

- ▶ Carefully lift the cover plug at the bottom of the device with a slotted screwdriver.
- ▶ Pull out the cover plug. *Fig. 21 (1)*
- ▶ Insert the cover plug on the opposite side. *Fig. 21 (2)*

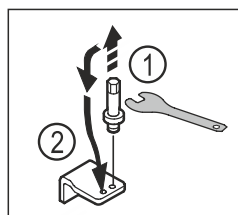


Fig. 22

- ▶ Unscrew the bolt of the lower swap bearing block with an Allen key AF5. *Fig. 22 (1)*
- ▶ Insert the bolt on the opposite side. *Fig. 22 (2)*
- ▶ Tighten the bolt with an Allen key AF5.

Installation conditions

4.14.6 Relocating the upper bearing components

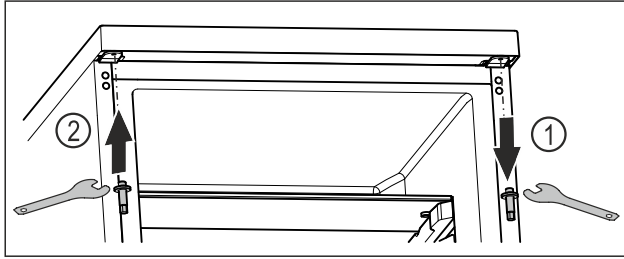


Fig. 23

- ▶ Unscrew the upper bolt with an Allen key. Fig. 23 (1)
- ▶ Tighten the bolt on the opposite side with an Allen key. Fig. 23 (2)

4.14.7 Fitting the door



WARNING

Danger of injury due to door falling out!

If the bearing parts are not screwed on tightly enough, the door may fall out. This can result in serious injuries. In addition, the door may not close with the result that the appliance does not cool properly.

- ▶ Screw the bearing brackets on firmly with 4 Nm.
- ▶ Check all screws and retighten them if necessary.

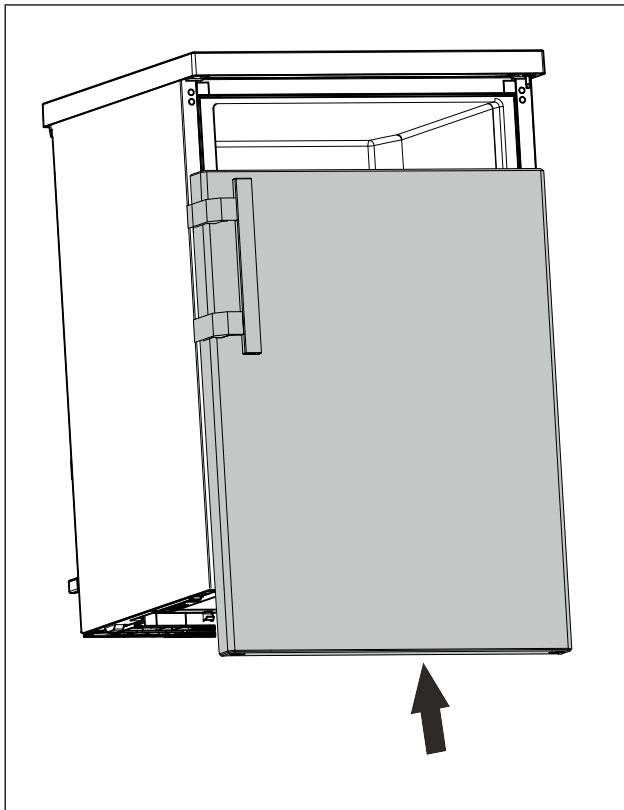


Fig. 24

- ▶ Slide the door onto the upper bolt in closed status. (see Fig. 24)

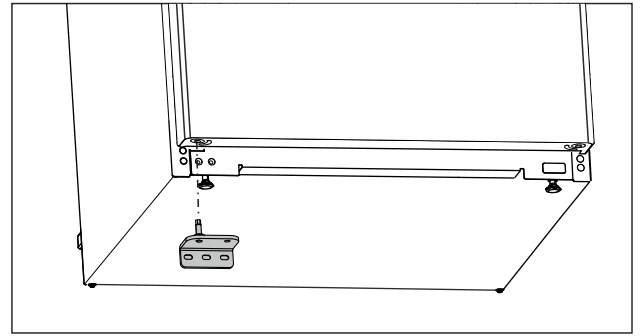


Fig. 25

- ▶ Insert the lower swap bearing block on the opposite side. (see Fig. 25)

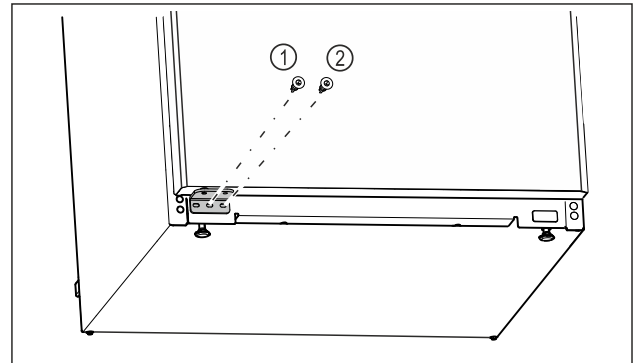


Fig. 26

- ▶ Tighten the middle screw of the swap bearing block Fig. 26 (1) with a Torx 20 screwdriver.
- ▶ Tighten the inner screw of the swap bearing block Fig. 26 (2) with a Torx 20 screwdriver.
- ▶ Check the door.
- ▶ The door hinge has been changed.

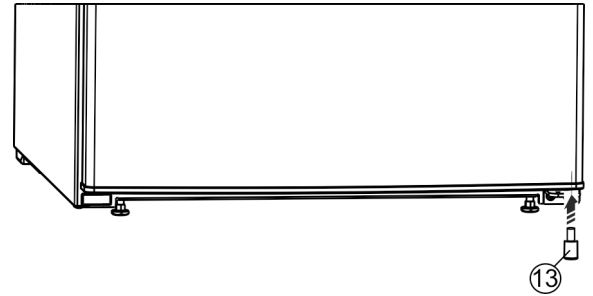


Fig. 27*

- ▶ Insert the spacer Fig. 27 (13) back under the right-hand side of the door, as it is important for the stability of the appliance.*

4.15 Connecting the appliance to the power supply



WARNING

Danger of electric shock and injury due to damaged appliance or damaged mains cable!

Danger of cuts and fatal injuries. If the appliance or the mains cable is damaged during transport, you may be electrocuted. You could also cut yourself on damaged parts of the appliance housing.

- ▶ Check the appliance and the mains cable for damage after transport.
- ▶ Never put the appliance into operation if the appliance or the mains cable are damaged.
- ▶ Contact Customer Service.

You can connect your appliance to the mains using the power cable supplied separately. The mains power cable has an appliance coupler at one end and a mains plug at the other end.

Make sure that the following requirements are fulfilled:

- The appliance and power cable are undamaged.
- The appliance is set up in accordance with the regulations. (see 4.8 Mounting wall spacers)
- Requirements for the electrical connection are met. (see 4 Installation conditions)
- Dimensions for connection in accordance with regulations are known and observed. (see 4.5 Connection dimensions for the power supply)
- Mains voltage and frequency correspond to the specifications on the type plate.
- The socket is earthed according to the regulations and fused.
- The fuse tripping current is between 10 A and 16 A.
- The socket is easily accessible and is not behind the appliance. (see 4.5 Connection dimensions for the power supply)

NOTICE

Danger of damage to incorrect operation!
Damage to the electrical components of the appliance.

- ▶ Only use the supplied mains cable.

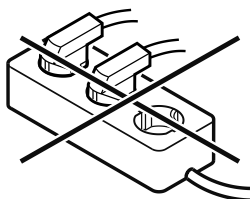


WARNING

Danger of fire due to incorrect connection!
Burns.

Damage to the appliance.

- ▶ Do not use an extension cable.
- ▶ Do not use distributor blocks.



NOTICE

Danger of damage to incorrect connection!
Damage to the appliance.

- ▶ Do not connect the appliance to a stand-alone inverter, e.g. solar power systems and petrol generators.

- ▶ Connect the mains plug of the power cable to the power supply.
- ▷ The appliance is connected. For information regarding first use, see the following section or the operating instructions.

4.16 Switching on device (first use)

Make sure that the following requirements are fulfilled:

- The device has been installed and connected in accordance with the installation instructions.
- All adhesive strips, adhesive and protective films and transport locks are removed from inside and on the device.
- All marketing leaflets are removed from the drawers.
- You are familiar with the functionality of the display. (see 3 Functionality of the display)

Switching on the device:

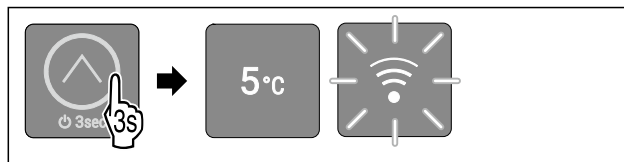


Fig. 28

- ▶ Touch the touchbutton as shown in the illustration for 3 seconds until you hear the confirmation tone.
- ▷ The device is switched on.
- ▷ Interior lighting is activated.
- ▷ LED 3 lights up: Temperature is set to 5 °C at the factory.
- ▷ The device cools to the target temperature set at the factory.
- ▷ WLAN LED flashes: WLAN access point is open for 30 minutes. (see Establishing WLAN connection)

Device starts in demo mode:

When the device starts in demo mode:

- ▶ Deactivating demo mode. (see Deactivating demo mode)

Display switches to sleep mode:

When the display switches to sleep mode:

- ▶ Briefly touch the touchbutton. (see 3.2.1 Sleep mode of the display)

More information:

- Start the SmartDevice. (see 1.3 SmartDevice) and (see WLAN)

Note

The manufacturer recommends:

- ▶ Stock with food: Wait for around 6 hours until the set temperature is reached.
- ▶ **Store frozen foods** at -18 °C or colder.*
- ▶ Observe the notes on storing food. (see 5.1 Information regarding storage)

Note

Accessories can be purchased from the Liebherr-Hausgeräte store at home.liebherr.com/shop/de/deu/zubehor.html.

5 Storage

5.1 Information regarding storage



WARNING

Risk of fire

- ▶ Do not use any electrical appliances in the food area of the appliance unless recommended by the manufacturer.

Note

The energy consumption increases and the cooling power goes down if ventilation is not sufficient.

- ▶ Always keep air slots clear.

Observe the following specifications for storage:

- In the freezer compartment: Package food properly.*
- Package or cover foods that readily take on or give off odours or taste in closed containers.
- Package raw meat or fish in clean, closed containers. This will prevent meat or fish from touching or dripping onto other food.
- Keep liquids in closed containers.
- Leave space between goods to ensure good air circulation.

Saving energy

- Store food according to the instructions on the packaging.
- Always observe the best-before date indicated on the packaging.

Note

Failure to follow these guidelines can lead to foodstuffs spoiling.

5.2 Fridge compartment

The air circulation in the appliance creates different temperature zones. You will find the different temperature zones in the appliance and equipment overview. (see 1.2 Overview of the appliance and equipment)

5.2.1 Arranging your food properly

- ▶ Upper area and door: Store butter, cheese, tinned food and tubes.
- ▶ Coldest temperature zone: Store perishable foods such as pre-cooked meals, meat and lunch meats.
- ▶ Bottom shelf: Store raw meat or fish.

5.3 EasyFresh

EasyFresh is great for non-packaged foods, such as fruit and vegetables.

The humidity in the compartment depends on the moisture content of the chilled goods placed in it, and also depends on how often the compartment is opened. You can regulate the humidity level.

5.3.1 Arranging your food properly

- ▶ Store unpackaged fruit and vegetables. If the humidity is too high:
- ▶ Regulate the humidity.

5.4 ****-freezer compartment*

Here, a dry, frosty storage climate is created at -18 °C. The frosty storage climate is suitable for storing frozen food for several months, for making ice cubes or freezing fresh food.

The air temperature in the freezer compartment, measured with a thermometer or other measuring device, may fluctuate. Temperature fluctuations are greater in a half-full or empty freezer and it is possible to attain temperatures warmer than -18 °C.

5.4.1 Freezing food

The maximum amount of fresh food that you can freeze within 24 hours is specified on the type plate (see 10.5 Model plate) under "Freezing capacity ... kg/24h".

To ensure that food quickly freezes through, adhere to the following quantities per package:

- Fruit and vegetables up to 1 kg
- Meat up to 2.5 kg

Arranging your food properly



CAUTION

Risk of injury due to broken glass!
Bottles and cans containing drinks may burst when being frozen. This applies particularly to sparkling drinks.

- ▶ Do not freeze bottles and cans containing drinks!
- ▶ Place packaged food in the middle of the freezer compartment.

Defrosting food



WARNING

Risk of food poisoning!

- ▶ Do not re-freeze thawed food.
- ▶ Use defrosted foodstuff as soon as possible.

You can defrost food in several ways:

- In the fridge compartment
- In the microwave
- In the oven/fan-assisted oven
- At room temperature
- ▶ Take out only as much food as necessary.

5.5 Storage times

Refer to the specified storage times as a guide.

In the case of foods with a minimum shelf life, the date indicated on the packaging still applies.

5.5.1 Fridge section

Always follow the best-before date stated on the packaging.

5.5.2 Freezer compartment*

| Recommended shelf-lives for various types of food | | |
|---------------------------------------------------|-----------|----------------|
| Ice cream | at -18 °C | 2 to 6 months |
| Cold cuts, ham | at -18 °C | 2 to 3 months |
| Bread, baked goods | at -18 °C | 2 to 6 months |
| Game, pork | at -18 °C | 6 to 9 months |
| Fatty fish | at -18 °C | 2 to 6 months |
| Lean fish | at -18 °C | 6 to 8 months |
| Cheese | at -18 °C | 2 to 6 months |
| Poultry, beef | at -18 °C | 6 to 12 months |
| Vegetables, fruit | at -18 °C | 6 to 12 months |

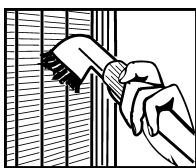
6 Saving energy

- Pay attention to good ventilation. Do not cover ventilation holes or grids.
- Do not place the appliance in direct sunlight or near radiators or similar sources of heat.
- If the appliance is placed directly next to an oven, the energy consumption may increase slightly. This is dependent on the service life and usage intensity of the oven.
- Energy consumption depends on the installation conditions, e.g. the ambient temperature (see 1.4 Appliance range of use) . A warmer ambient temperature can increase the energy consumption.
- Open the appliance for as short a time as possible.
- The lower the temperature is set the higher the energy consumption.
- Sort your food: home.liebherr.com/food.
- Keep all food properly packed and covered. This prevents frost from forming.
- Only take food out for as long as necessary so that it doesn't warm up too much.
- Inserting warm food: allow to cool down to room temperature first.
- Thaw frozen food in the refrigerator.*

- If there is a thick layer of frost in the appliance: defrost the appliance.*
- If you intend to be on holiday for a long time empty the refrigerator and switch it off.

Dust deposits increase energy consumption:

- For refrigerators with heat exchangers dust the metal grid on the back of the appliance once a year.



7 Controls

7.1 Operating controls and display elements

The display provides a quick overview of the current status of the appliance, the temperature setting, the status of functions and messages.

You operate your appliance with the touchbutton.

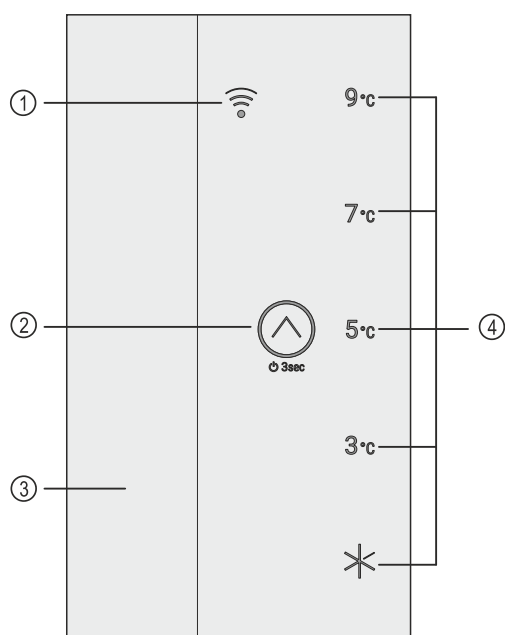


Fig. 29 Operating controls and display elements

- (1) WLAN LED
- (2) Touchbutton (operating control)
- (3) Interior lighting
- (4) Temperature display/Status indicator

7.1.1 Temperature display/Status indicator

The temperature display/status indicator consists of five LEDs:

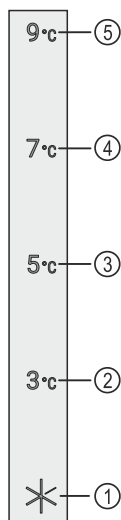


Fig. 30 Temperature display/Status indicator

- (1) LED 1
- (2) LED 2
- (3) LED 3
- (4) LED 4
- (5) LED 5

The LEDs indicate temperature settings (see 3.2.1 Main menu) in the main menu and functions in the submenu (see 3.2.2 Submenu).

7.1.2 LED behaviour

You can recognise the status of the device by the light up or flashing of the LEDs:

| LED (example illustration) | behaviour illustration | Description |
|----------------------------|------------------------|------------------------------------------------------------------------------------------------|
| | | LED does not light up: LED is not selected. Function is not active. |
| | | LED lights up: LED is selected or function is active. |
| | | Several LEDs flash simultaneously: An error has occurred. (see 7.3 Messages) |
| | | WLAN LED flashes: WLAN access point is open or WLAN connection is being established. |

LED behaviour

7.1.3 Audible signals

An audible signal sounds in the following cases:

| Audible signal | Description |
|-------------------|------------------------------------------------------------------------------|
| Confirmation tone | Sounds when the touchbutton is touched. |
| Alarm tone | Sounds when an error occurs. (see 7.3 Messages) |
| Error tone | Sounds when the touchbutton is touched, but the interaction is not possible. |

Controls

7.2 Appliance functions

7.2.1 Notes on the appliance functions

The appliance functions are set at the factory so that your appliance is fully functional.

Before you alter, activate or deactivate the device functions, make sure that the following requirements are met:

- You have read and understood the descriptions of how the display works. (see 3 Functionality of the display)
- You have familiarised yourself with the operating and display elements of your appliance. (see 7.1 Operating controls and display elements)



Switching the appliance off and on

Use this function to switch the entire appliance off and on.

Switching off the device

When you switch the appliance off, then the previously saved settings are saved.

Make sure that the following requirements are fulfilled:

- Handling instructions (see 11 Shutting down) are carried out.
- You are in the main menu. (see 3.2.2 Exiting the submenu)



Fig. 31

- ▶ Carry out the action steps according to the illustration until you hear the confirmation tone.
- ▷ LEDs of the display no longer light up.
- ▷ Interior lighting is deactivated.
- ▷ Device is switched off.

Switching on the device

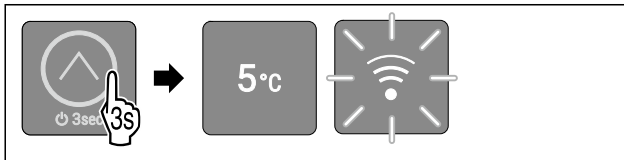


Fig. 32 Example illustration depending on the previously set temperature

- ▶ Carry out the action steps according to the illustration until you hear the confirmation tone.
- ▷ The device is switched on.
- ▷ Interior lighting is activated.
- ▷ During first use: Temperature is set to 5 °C at the factory.
- ▷ If the device has been in operation before: Previously set temperature is set.
- ▷ The device cools to the target temperature set.
- ▷ When using the device for the first time or if the device was not previously connected to the WLAN: WLAN access point is open for 30 minutes. (see Establishing WLAN connection)
- ▷ If the device was previously connected to the WLAN: The device automatically connects to the WLAN.

5 °C

Temperature

Use this function to set the temperature.

The temperature depends on the following factors:

- Frequency of door opening
- Duration of door opening
- Room temperature of the installation site
- Type, temperature and quantity of food

Recommended setting: 5 °C

Setting the temperature

The function is located in the main menu on the positions of LEDs 2-5.

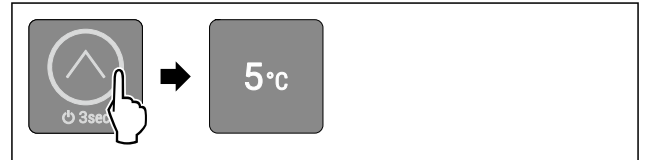


Fig. 33 Example illustration

- ▶ Briefly touch the touchbutton as shown until the desired temperature lights up.
- ▷ Temperature is set.
- ▷ The device cools to the target temperature set.



SuperCool

You can use this function to activate or deactivate SuperCool. If SuperCool is activated, then the appliance increases the cooling capacity. It allows you to achieve lower cooling temperatures. You can activate SuperCool when you would like to cool a large quantity of food quickly.

If SuperCool is activated, then lower temperatures are reached in the **** freezer compartment. You can activate SuperCool when you would like to freeze food in the **** freezer compartment.*

Activating SuperCool

The function is located in the main menu at the position of LED 1.

Time for activation of the function:

- When you would like to store fresh food in the fridge section: Activate the function when inserting food.
- When you would like to store fresh food in the **** freezer compartment: Activate the function when inserting food.*

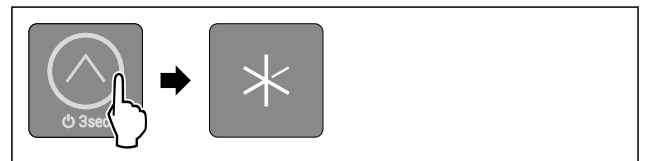


Fig. 34

- ▶ Briefly touch the touchbutton as shown until LED 1 lights up.
- ▷ LED 1 lights up: SuperCool is activated.
- ▷ The device cools to the target temperature.

Deactivating SuperCool

For appliances with **** freezer compartment: SuperCool is automatically deactivated after 56 to 72 hours.*

For appliances without **** freezer compartment: SuperCool is deactivated automatically after 18 hours.*

However, you can also deactivate SuperCool manually at any time by setting a temperature:

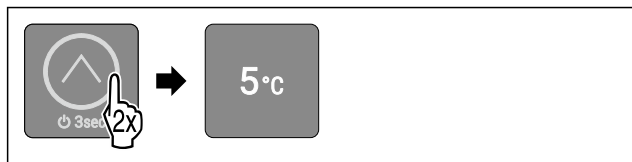


Fig. 35 Example illustration

- ▶ Briefly touch the touchbutton as shown until the desired temperature lights up.
- ▷ Temperature is set and SuperCool is deactivated.
- ▷ The appliance continues to run in normal mode.
- ▷ The device cools to the target temperature set.

SabbathMode

With this function you activate or deactivate the SabbathMode. If you activate this function, some electronic functions are switched off. As a result, your device meets the religious requirements for Jewish holidays such as Sabbath and complies with STAR-K Kosher certification.

| |
|---------------------------------------------------------------------------------------------------|
| Device status when SabbathMode is active |
| LEDs 1-5 light up. |
| All functions in the display are locked except for the Deactivating SabbathMode function . |
| Active functions remain active. |
| The interior lighting is deactivated. |
| Messages are not displayed. |
| There is no door alarm. |
| After a power failure, the device returns to SabbathMode. |
| The WLAN connection is disconnected. |

Device status

Note

This appliance has certification from the "Institute for Science and Halacha". (www.machonhalacha.co.il)

You can find a list of STAR-K-certified appliances at www.star-k.org/appliances.

Activating SabbathMode



WARNING

Danger of food poisoning from spoiled food!
If you have SabbathMode activated and a power failure occurs, no message appears in the status display about the power failure. Once the power is restored, the appliance continues to operate in SabbathMode. The power failure may mean that food spoils and the consumption of this food could lead to food poisoning.

After a power failure:

- ▶ Do not consume food that was frozen and has thawed out.

The function is located in the submenu at the position of LED 2.

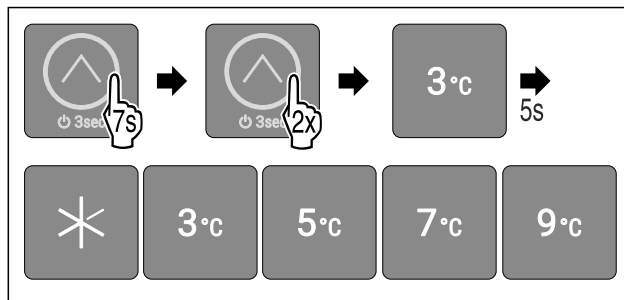


Fig. 36

- ▶ Carry out action steps according to the illustration.
- ▷ LED 2 lights up.
- ▷ After 5 seconds without interaction, SabbathMode is activated. LEDs 1-5 light up.

Deactivating SabbathMode

The SabbathMode is automatically deactivated after 80 hours. However, you can also deactivate SabbathMode manually at any time:

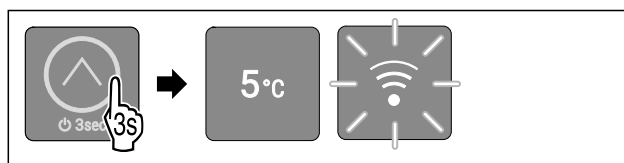


Fig. 37 Example illustration depending on the previously set temperature

- ▶ Carry out the action steps according to the illustration until you hear the confirmation tone.
- ▷ SabbathMode is deactivated.
- ▷ Interior lighting is activated.
- ▷ The device continues to run in normal mode. LED of the previously set temperature lights up.
- ▷ If the device was previously connected to the WLAN: The device automatically connects to the WLAN.
- ▷ You are in the main menu.



Input lock

You can use this function to activate or deactivate the input lock. The input lock prevents the appliance being operated accidentally, e. g. by children.

Application:

- Avoid unintentional modification of functions.
- Avoid unintentional switching off of the device.
- Avoid unintentional temperature setting.

Activating the input lock

The function is located in the submenu at the position of LED 1.

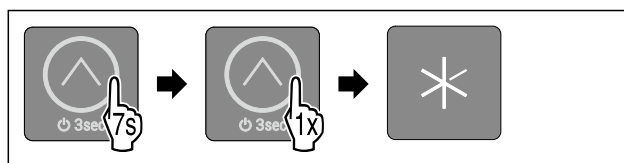


Fig. 38

- ▶ Carry out action steps according to the illustration.
- ▷ LED 1 lights up.
- ▷ After 5 seconds without interaction, input lock is automatically activated.

Controls

Deactivating the input lock



Fig. 39

- ▶ Carry out the action steps according to the illustration until you hear the confirmation tone.
- ▷ Input lock is deactivated.
- ▷ You are in the main menu.



WLAN

Use this function to connect your device to WLAN. You can then operate it via the SmartDevice app on a mobile device. You can also use this function to disconnect or reset the WLAN connection.

More information on the SmartDevice: (see 1.3 SmartDevice)

Note

The SmartDevice function is not available in the following countries: Russia, Belarus, Kazakhstan.

Establishing WLAN connection

To connect the device to the WLAN, the WLAN access point of the device must be open. If you are using the device for the first time, open the WLAN access point by switching on the device. If the device was already in operation without a WLAN connection, then open the WLAN access point by switching the device off and on again.

Make sure that the following requirements are fulfilled:

- SmartDevice app is installed (see apps.home.liebherr.com).
- Registration in the SmartDevice app is complete.

Switching on device (first use):

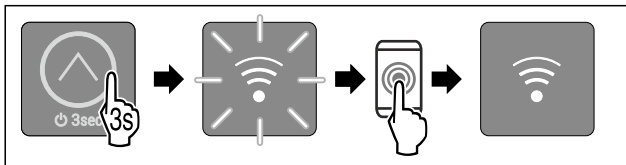


Fig. 40

- ▶ Switching on the device: Touch the touchbutton as shown in the illustration for 3 seconds until you hear the confirmation tone.
- ▷ The device is switched on.
- ▷ WLAN LED flashes: WLAN access point is open for 30 minutes.
- ▶ Connect the device to the WLAN via the SmartDevice app.
- ▷ If the device is connected to WLAN: WLAN LED lights up continuously.

Switch the device off and on again (device is already in operation):

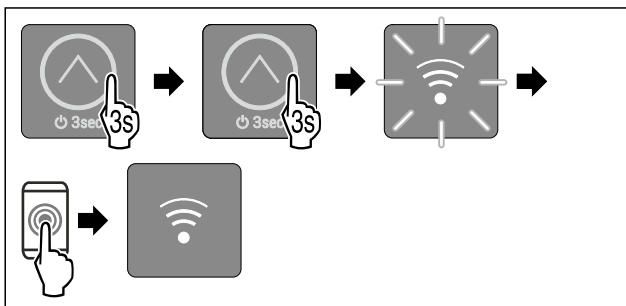


Fig. 41

- ▶ Switch off the device in the main menu: Touch the touchbutton as shown in the illustration for 3 seconds until you hear the confirmation tone.
- ▷ Device is switched off.
- ▶ Switching the device back on: Touch the touchbutton as shown in the illustration for 3 seconds until you hear the confirmation tone.
- ▷ The device is switched on.
- ▷ WLAN LED flashes: WLAN access point is open for 30 minutes.
- ▶ Connect the device to the WLAN via the SmartDevice app.
- ▷ If the device is connected to WLAN: WLAN LED lights up continuously.

Disconnecting the WLAN connection

To disconnect the WLAN connection, you must reset the entire device to factory settings.

- ▶ Carry out action steps. (see Resetting to factory settings)
- ▷ Device is reset.
- ▷ WLAN LED flashes: WLAN access point is open for 30 minutes.
- ▷ After 30 minutes, the WLAN connection is deactivated.

Resetting WLAN connection

To reset the WLAN connection, you must reset the entire device to factory settings.

- ▶ Carry out action steps. (see Resetting to factory settings)
- ▷ Device is reset.
- ▷ WLAN LED flashes: WLAN access point is open for 30 minutes.
- ▶ Reconnect the device to the WLAN. (see Establishing WLAN connection)

-or-

- ▶ Use the device without a WLAN connection.



Demo mode

Demo mode is a special feature for dealers who want to demonstrate device features. If you activate demo mode, all refrigeration functions are deactivated and you cannot open the submenu.

If you activate and then deactivate demo mode, the device will be reset to factory defaults. (see Resetting to factory settings)

Activating demo mode

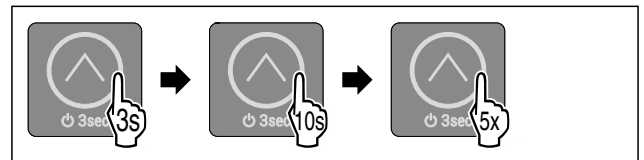


Fig. 42

- ▶ Touch the touchbutton as shown in the illustration for 3 seconds until you hear the confirmation tone.
- ▷ Device is switched off.
- ▶ Touch the touchbutton as shown in the illustration for 10 seconds until you hear the confirmation tone after 10 seconds.
- ▶ Briefly touch the touchbutton five times.
- ▷ All temperature LEDs light up twice for a short time: Demo mode is activated.
- ▷ Device is switched off.
- ▶ Switch on the device. (see Switching on the device)
- ▷ The device is in demo mode.

Deactivating demo mode

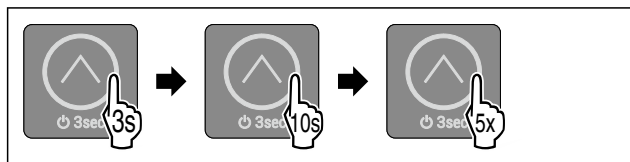


Fig. 43

- ▶ Touch the touchbutton as shown in the illustration for 3 seconds until you hear the confirmation tone.
- ▷ Device is switched off.
- ▶ Touch the touchbutton as shown in the illustration for 10 seconds until you hear the confirmation tone after 10 seconds.
- ▶ Briefly touch the touchbutton five times.
- ▷ All temperature LEDs light up briefly four times: Demo mode is deactivated.
- ▷ Device is switched off.
- ▶ Switch on the device. (see Switching on the device)

Resetting to factory settings

Use this function to reset all settings to factory defaults. All settings you have made so far are reset to their original settings.

Application:

- Reset device
- Resetting WLAN connection

Performing a reset

The function is located in the submenu at the position of LED 3.

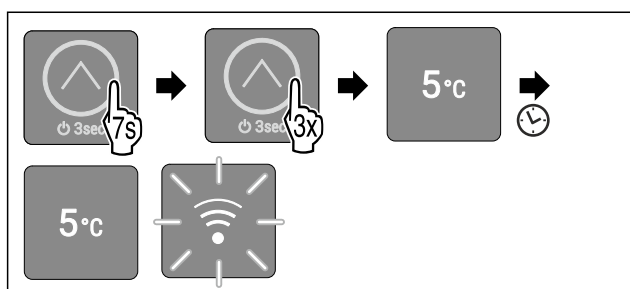


Fig. 44

- ▶ Carry out action steps according to the illustration.
- ▷ LED 3 lights up.
- ▷ After 5 seconds without interaction, the device is reset and restarted.
- ▷ Device is reset.
- ▷ LED 3 lights up: Temperature is set to 5 °C at the factory.
- ▷ The device cools to the target temperature set at the factory.
- ▷ WLAN LED flashes: WLAN connection is deactivated and WLAN access point is open for 30 minutes. (see Establishing WLAN connection)

7.3 Messages

Messages are indicated audibly by an alarm tone and visually by the LEDs flashing in the display. Different LEDs flash depending on the type of message.

You can end the following messages yourself. For all other messages, you must contact the customer service. (see 10.4 Customer Service)

| Message | Cause | Exit the message |
|-------------------------------------------------------------------------------------------------------|----------------------------------------------------------------------------------------------------------------|------------------------------------------|
| The alarm tone sounds at an ever-increasing volume. Interior lighting pulses. Door alarm | The message appears if the door is open for more than 60 seconds. | Carry out action steps (see Door alarm). |
| LED 2, LED 4 and WLAN LED flash. WLAN error | The message appears if the device could not be connected to the WLAN or if the WLAN connection is interrupted. | Carry out action steps (see WLAN error). |

Overview of messages

7.3.1 Ending messages

Door alarm



Fig. 45

- ▶ End alarm: Carry out action steps according to the illustration.

-or-

- ▶ Close the door.
- ▷ Alarm has ended.
- ▷ If the door is not closed: Message appears again after 4 minutes.

WLAN error

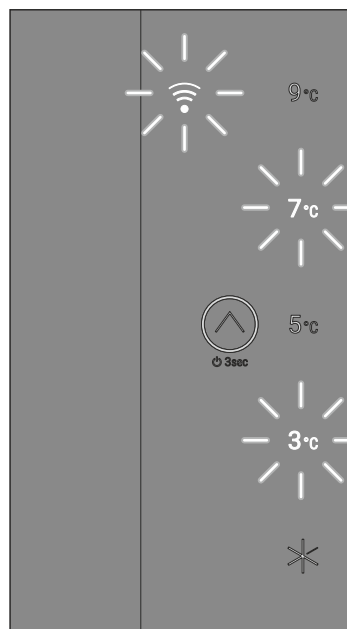


Fig. 46 Display in case of WLAN error

- ▶ Check WLAN connection.



Features

Fig. 47

- ▶ End alarm: Carry out action steps according to the illustration.
- or-
- ▶ Re-establish WLAN connection.
- ▷ The device continues to run in normal mode. LED of the previously set temperature lights up.

8 Features

8.1 4-star freezer compartment*

8.1.1 Opening the 4-star freezer compartment

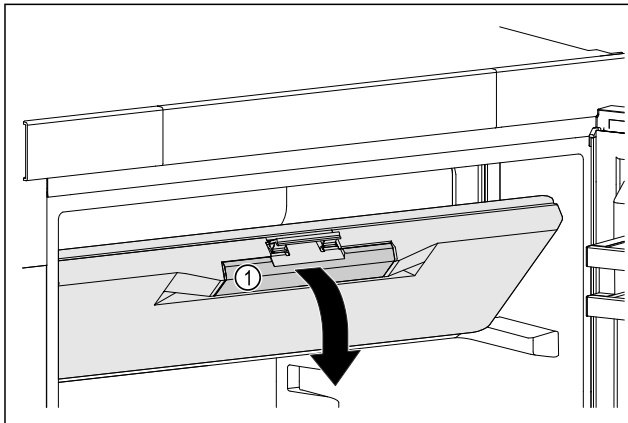


Fig. 48

- ▶ Hold the freezer compartment door by the recessed handle Fig. 48 (1).
- ▶ Pull the freezer compartment door down and forward.
- ▷ Freezer door is open.

8.1.2 Closing the 4-star freezer compartment

- ▶ Close the freezer compartment door.
- ▶ Press on the freezer compartment door at the front until it engages.
- ▷ Freezer compartment door is closed.

8.2 Door rack

Door racks are suitable for storing drinks and food. You can move door racks for your own individual use and take them apart for cleaning. However, Liebherr recommends using the door racks in the position in the door as delivered from the factory.

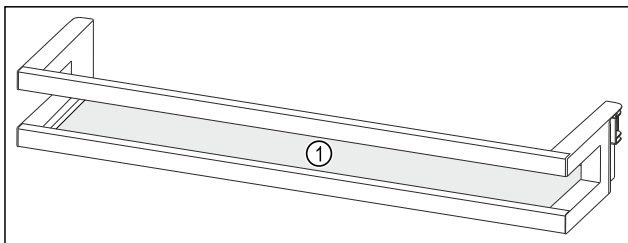


Fig. 49 Example illustration, Door rack
(1) Shelf

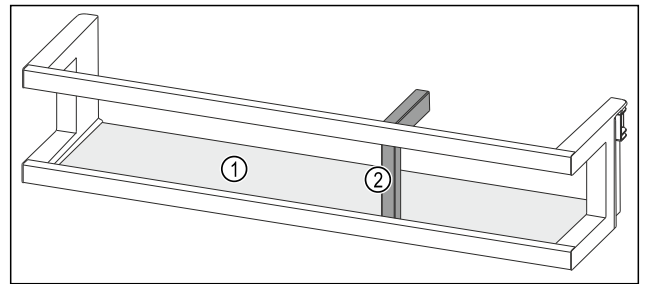


Fig. 50 Example illustration, Door rack with bottle holder
(1) Shelf (2) Bottle holder

The following table shows examples of what can be stored in each door rack. Do not exceed the maximum loading weight of the door.

| Door rack | Food |
|--------------------------------------------|----------------------------------------------------------------------------|
| Door rack (see Fig. 49) | Butter, cheese, tinned food, tubes |
| Door rack with bottle holder (see Fig. 50) | Bottles The sliding bottle holder secures the bottles in the door rack. |

8.2.1 Removing the door rack

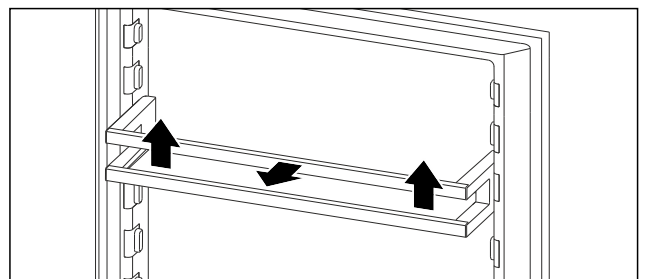


Fig. 51 Example illustration

- ▶ Push the door rack upwards.
- ▶ Pull the door rack forward.

8.2.2 Inserting the door rack

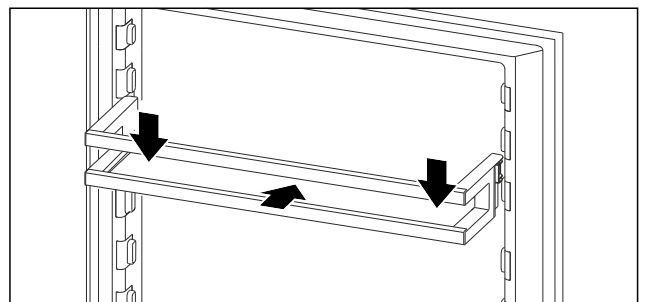


Fig. 52 Example illustration

- ▶ Slide in the door rack.
- ▶ Press the door rack down.

8.2.3 Removing the bottle holder

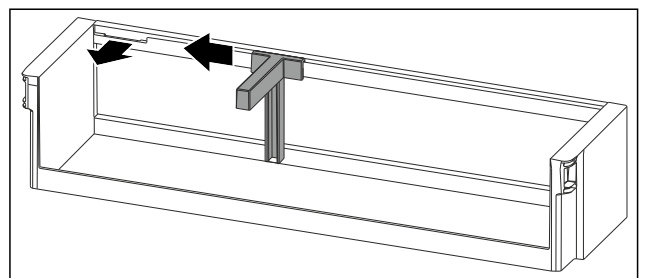


Fig. 53

- ▶ Slide the bottle holder to the side as far as the recess.
- ▶ Remove the bottle holder forwards.

8.2.4 Inserting the bottle holder

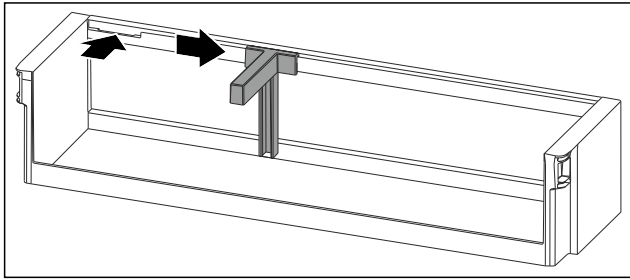


Fig. 54

- ▶ Insert the bottle holder in the recess.
- ▶ Push the bottle holder to the desired position to the side.

8.3 Shelves

8.3.1 Adjusting/removing the shelves

The shelves are prevented from being pulled out accidentally by pull out stops.

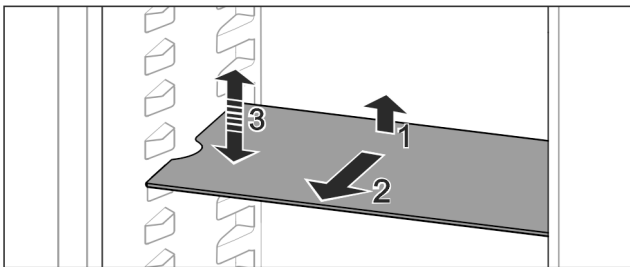


Fig. 55

- ▶ Lift the shelf and pull forward.
- ▷ Line up the side runner.
- ▶ Adjust the height of the shelf: Lift or lower it to the desired height and slide it in.

-or-

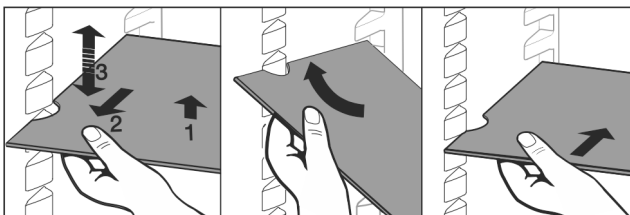


Fig. 56

- ▶ Remove the shelf completely: Pull it out to the front.
- ▶ Easier removal: Set the shelf at an angle.
- ▶ Insert the shelf again: Slide it in all the way.
- ▷ The pull-out stoppers point downwards.
- ▷ The pull-out stoppers are behind the front support.

You can also remove the shelf above the EasyFresh compartments.

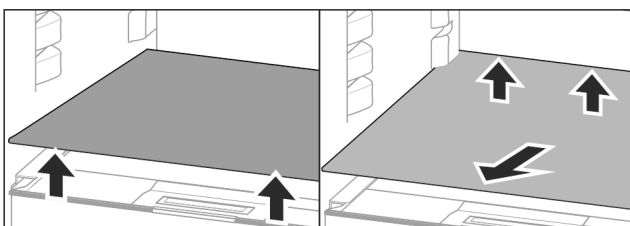


Fig. 57

Removing the shelf:

- ▶ Lift the shelf at the front and back.
- ▶ Pull it out towards you.

Do not store any goods on the compartment cover below!

Inserting the shelf:

- ▶ Place the shelf at an angle, sloping down towards the back.
- ▷ The pull-out stoppers point downwards.
- ▶ Slide the shelf into place.

8.3.2 Dismantling the shelves

The shelves can be dismantled for cleaning.

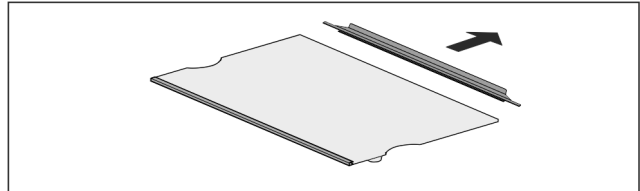


Fig. 58

- ▶ Dismantling the shelf.

8.4 Dividing shelf*

8.4.1 Using the dividing shelf

The shelves are prevented from being pulled out accidentally by pull out stops.

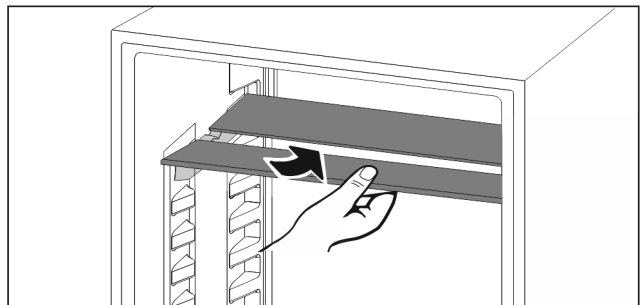


Fig. 59

- ▶ Push the dividing shelf underneath as shown.

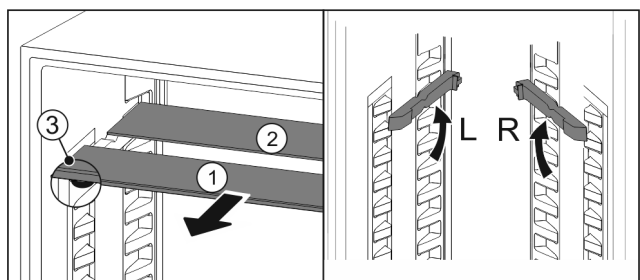


Fig. 60

Adjusting the height:

- ▶ Pull the glass panels out Fig. 60 (1) from the front, one at a time.
- ▶ Release the support rails and click in at the height you want.
- ▶ Slide in the glass panels one at a time.
- ▷ Flat pull-out stoppers at the front, right behind the support rails.
- ▷ High pull-out stoppers at the back.

Using both shelves:

- ▶ Hold the glass panel with one hand and pull it to the front.
- ▷ The glass panel Fig. 60 (1) and trim strip are at the front.
- ▷ The stops Fig. 60 (3) point down.

Features

8.4.2 Drawer on appliance base or glass shelf

The drawer runs directly on the appliance base or on a glass shelf. There are no rails.

Removing drawer

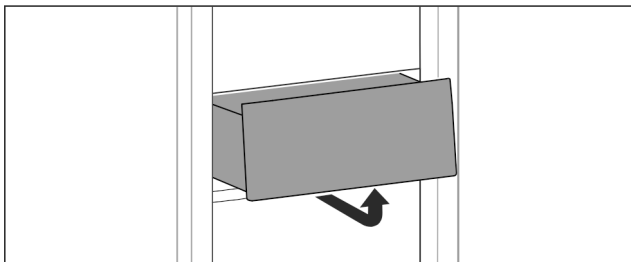


Fig. 61

- ▶ Remove drawer as shown in the illustration.

Inserting drawer

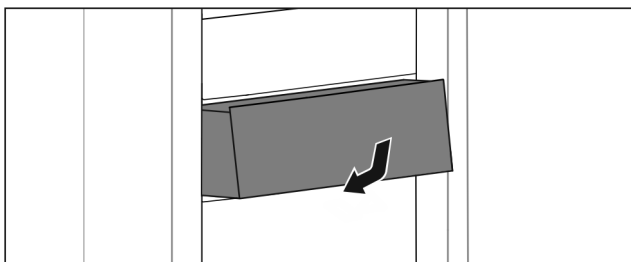


Fig. 62

- ▶ Insert drawer as shown in the illustration.
- You can remove the compartment cover for cleaning.

8.5.1 Removing the compartment cover

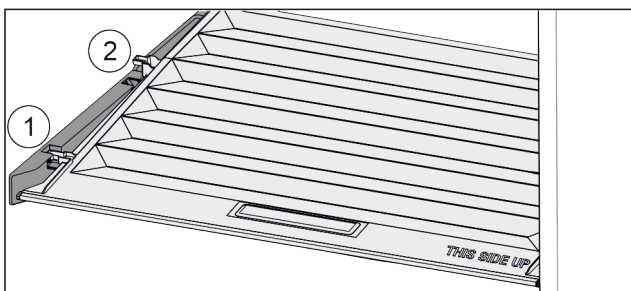


Fig. 63

When the drawers are removed:

- ▶ Pull the lid up at the front to the opening in the retaining parts Fig. 63 (1).
- ▶ Lift from the back and pull it up and out Fig. 63 (2).

8.5.2 Inserting the compartment cover

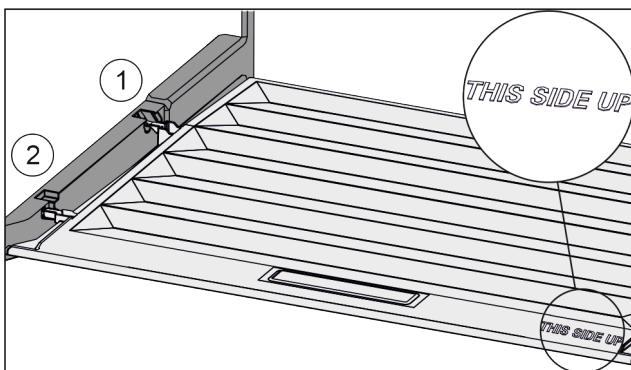


Fig. 64

If the text THIS SIDE UP points upwards:

- ▶ Insert the lip of the cover over the opening of the rear bracket Fig. 64 (1) and click into place Fig. 64 (2).
- ▶ Position the cover where you want it.

8.6 Egg rack*

You can pull out and turn the egg rack. You can use both sides of the egg rack so you can label specifics like the purchase date.

8.6.1 Using the egg rack

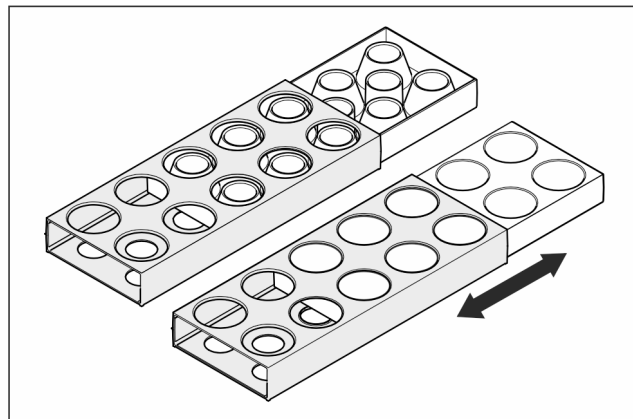


Fig. 65

- ▶ Top layer: for storing hen eggs.
- ▶ Bottom layer: for storing quail eggs.

8.7 Bottle holder

8.7.1 Using the bottle holder

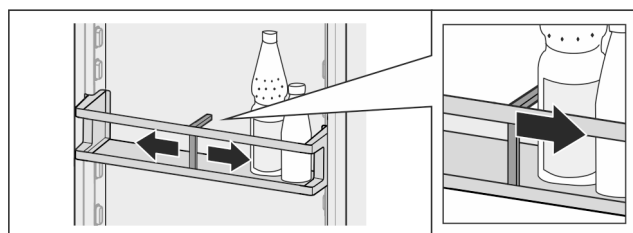


Fig. 66

- ▶ Push the bottle holder onto the bottles.
- ▷ The bottles are prevented from falling over.

8.7.2 Removing the bottle holder

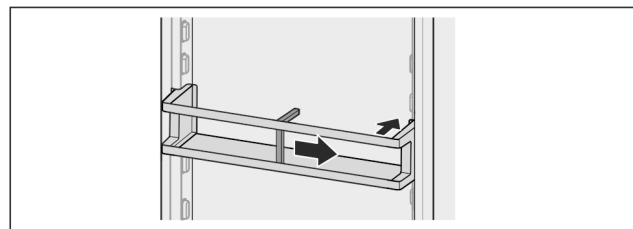


Fig. 67

- ▶ Move the bottle holder all the way to the right.
- ▶ Push the bottle holder to the back to remove.

8.8 FlexCube

The FlexCube has different sized openings, so you can store small items such as tubes, open yoghurt pots or quail eggs in it. The FlexCube fits into all Liebherr door racks, for example. If necessary, you can also set up several FlexCubes next to each other.

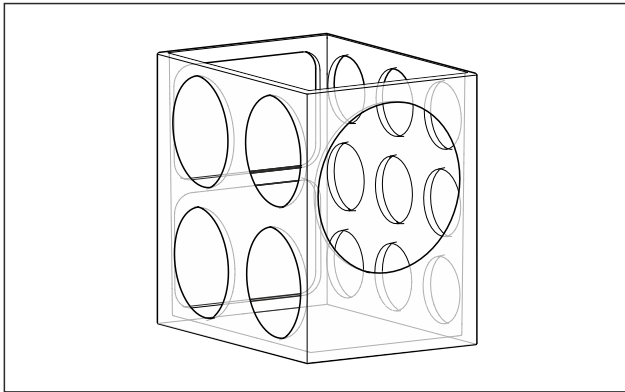


Fig. 68 Example illustration

Note

These accessories can be purchased from the Liebherr-Hausgeräte shop at home.liebherr.com/shop/de/deu/zubehor.html.

8.8.1 Using the FlexCube

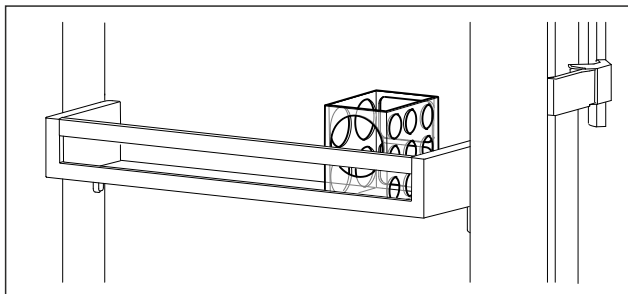


Fig. 69 Example illustration

- ▶ Insert the FlexCube in the door rack.

-or-

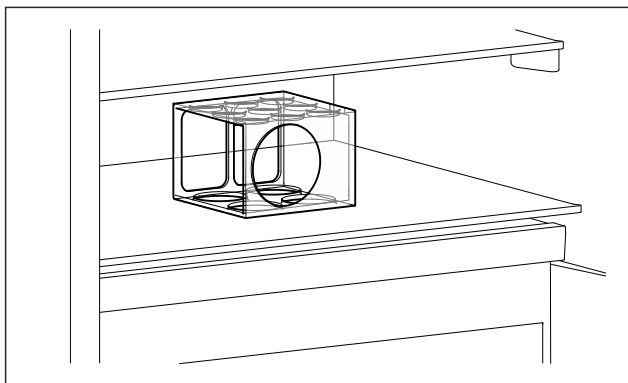


Fig. 70 Example illustration

- ▶ Place FlexCube on shelf.
- ▶ Sort small parts into the FlexCube for storage.

9 Maintenance

9.1 Defrosting the appliance



WARNING

Improper defrosting of the appliance!
Injuries and damage.

- ▶ Do not use mechanical equipment or other methods to speed up the defrosting process other than those recommended by the manufacturer.
- ▶ Do not use electrical heating or steam-cleaning appliances, naked flames or defroster sprays to defrost.
- ▶ Do not use sharp objects to remove ice.

Defrosting is performed automatically. The water from the thawing process drains through the outlet and evaporates.

Water drops or a thin layer of frost or ice can form on the back wall; this is a completely normal part of the appliance's function. This must not be removed.

A layer of frost or ice can form briefly due to the energy-optimised control of the device.

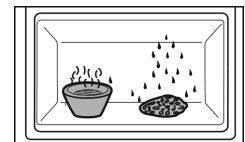
- ▶ Clean the drain opening at regular intervals. (see 9.3 Cleaning the appliance)

9.2 Defrosting the freezer compartment manually*

A layer of frost or ice forms after prolonged use.

The following factors promote the formation of frost or ice:

- The appliance is opened frequently.
- Hot food is put in.
- ▶ Switch the appliance off.
- ▶ Pull the mains plug out of the socket or switch the fuse off.
- ▶ Wrap the frozen food in newspaper or blankets and store in a cool place.



- ▶ Place a saucepan of hot but not boiling water in the freezer compartment.
- ▷ This speeds up the defrosting process.
- ▶ Leave the compartment and appliance door open during defrosting.
- ▶ Remove loosened pieces of ice.
- ▶ Soak up the melted ice water with a sponge or cloth several times as necessary.
- ▶ Clean the appliance. (see 9.3 Cleaning the appliance)

9.3 Cleaning the appliance

9.3.1 Ready



WARNING

Danger of electric shock!

- ▶ Remove the refrigerator connector or interrupt the power supply.



WARNING

Risk of fire

- ▶ Do not damage the refrigeration circuit.

Customer help

- ▶ Empty the appliance.
- ▶ Remove mains connector.

9.3.2 Clean the housing

NOTICE

Improper cleaning!

Damage to the appliance.

- ▶ Only use soft cleaning cloths and ph-neutral all-purpose cleaners.
- ▶ Do not use abrasive sponges or steel wool which may cause scratches.
- ▶ Do not use any sharp or abrasive cleaning agents, nor any that contain sand, chloride or acid.



WARNING

Risk of injury and damage as a result of hot steam!

Hot steam can lead to burns and can damage the surfaces.

- ▶ Do not use any steam cleaners!

- ▶ Wipe the housing down with soft, clean cloth. If very dirty, use lukewarm water with a neutral cleaner. Glass surfaces can also be cleaned with glass cleaner.

9.3.3 Cleaning the interior

NOTICE

Improper cleaning!

Damage to the appliance.

- ▶ Only use soft cleaning cloths and ph-neutral all-purpose cleaners.
- ▶ Do not use abrasive sponges or steel wool which may cause scratches.
- ▶ Do not use any sharp or abrasive cleaning agents, nor any that contain sand, chloride or acid.

- ▶ Plastic surfaces: clean by hand with a soft clean cloth, lukewarm water and a little detergent.
- ▶ Metal surfaces: clean by hand with a soft clean cloth, lukewarm water and a little detergent.
- ▶ Drain hole: remove deposits using a thin item (for example a cotton bud).

9.3.4 Clean the components

NOTICE

Improper cleaning!

Damage to the appliance.

- ▶ Only use soft cleaning cloths and ph-neutral all-purpose cleaners.
- ▶ Do not use abrasive sponges or steel wool which may cause scratches.
- ▶ Do not use any sharp or abrasive cleaning agents, nor any that contain sand, chloride or acid.

Clean with a soft, clean cloth, lukewarm water and some detergent:

- Door rack
- Shelf
- Dividing shelf*
- EasyFresh-Safe cover

Wash in the dishwasher up to 60 °C:

- Bottle rack
- Holder of the dividing shelf*
- Egg rack*
- Butter dish
- FlexCube
- ▶ To disassemble components: see the relevant section.
- ▶ Clean the components.

9.3.5 After cleaning

- ▶ Wipe the appliance and the components dry.
- ▶ Connect and switch on the appliance. The temperature is cold enough:
- ▶ Place the food inside.
- ▶ Repeat cleaning regularly.

10 Customer help

10.1 Technical specifications

| Temperature range | |
|-------------------|--|
| Cooling | |

| Maximum ice cube quantity / 24 hours | | |
|--------------------------------------|------------------------------------------------------|--|
| Freezer compartment* | see type plate under "Freezing capacity .../ 24 h" * | |

| Lighting | |
|----------------------------------------------------------------------------|--------------|
| Class ¹ | Light source |
| This product contains one or more energy efficiency class G light sources. | LED |

¹ The appliance may contain light sources with different energy efficiency classes. The lowest energy efficiency class is indicated.

For appliances with a WiFi connection:

| Frequency specification | |
|-----------------------------------|--------------------------------------------------------------|
| Frequency band | 2.4 GHz |
| Maximum radiated power | < 100 mW |
| Purpose of the wireless equipment | Integration in the local WiFi network for data communication |

10.2 Operating noises

The appliance makes different noises when it is on.

- At **higher temperatures** the appliance uses less energy but works for longer. It is **quieter**.
- At **lower temperatures** the food is cooled faster. It is **louder**.

Examples:

- Functions on (see 7.2 Appliance functions)
- Food recently added
- High ambient temperature
- Door open for a while

| Noise | Possible cause | Type of noise |
|------------------------|---------------------------------------------------------------------|------------------------|
| Bubbling and splashing | Coolant flowing into the cooling circuit. | Normal operating noise |
| Hissing | Coolant sprays into the cooling circuit. | Normal operating noise |
| Humming | The appliance is cooling. The volume depends on the cooling output. | Normal operating noise |

| Noise | Possible cause | Type of noise |
|------------------|-------------------------------------|------------------------|
| Clicking | Components are switched on and off. | Normal switching noise |
| Rattling humming | or Valves or flaps are working. | Normal switching noise |

| Noise | Possible cause | Type of noise | Lifting |
|-----------|----------------------------------------|-----------------|----------------------------------------------------------|
| Vibration | Improper setup | Defective noise | Level the appliance using the adjustable feet. |
| Rattling | Components, items inside the appliance | Defective noise | Secure components. Leave enough space between the items. |

10.3 Technical fault

Your appliance is designed and built to ensure it works reliably and has a long service life. In the unlikely event that a fault occurs during operation, please check whether it is due to an operating error. If so, you will be charged for the callout and repair costs even if it falls within the warranty period.

You can fix the following faults yourself.

10.3.1 Appliance function

| Defect | Cause | Remedy |
|-------------------------------------------------------------------------------|-----------------------------------------------------------------------------------------|---------------------------------------------------------------------------------------------------------------------------------------------|
| The appliance is not working. | → The appliance is not switched on. | ▶ Switch the appliance on. |
| | → The power plug is not properly plugged into the socket. | ▶ Check the power plug. |
| | → There is something wrong with the power outlet fuse. | ▶ Check the fuse. |
| | → Power cut | ▶ Keep the appliance closed. ▶ Safeguarding food: Place cold packs on top of food or use another freezer if the power cut lasts longer.* |
| | → The IEC socket is not plugged into the appliance correctly. | ▶ Check the IEC socket. |
| Temperature is not cold enough. | → The appliance door is not closed properly. | ▶ Close the appliance door. |
| | → The ambient temperature is too high. | ▶ Problem solution: (see 1.4 Appliance range of use) |
| | → The appliance was opened too many times or for too long. | ▶ Wait to see if the required temperature corrects itself. If not, contact Customer Service. (see 10.4 Customer Service) |
| | → The temperature is set incorrectly. | ▶ Turn down the temperature and check after 24 hours. |
| | → The appliance is too close to a heat source (oven, radiator, etc). | ▶ Move the appliance or the heat source. |
| The door seal is defective or needs to be replaced for another reason. | → The door seal can be replaced. It can be replaced without the need for special tools. | ▶ Contact Customer Service. (see 10.4 Customer Service) |
| The appliance builds up too much ice or condensation. | → The door seal may have slipped out of its groove. | ▶ Check that the door seal is well fitted in the groove. |

Shutting down

10.3.2 Features

| Defect | Cause | Remedy |
|---------------------------------------------------|-----------------------------------------------------------|----------------------------------------------------------------------------------------------|
| The internal light does not come on. | → The appliance is not switched on. | ▶ Switch the appliance on. |
| | → The door was open for longer than 15 minutes. | ▶ Interior lighting switches off automatically after about 15 minutes when the door is open. |
| | → The LED interior light is faulty or the lid is damaged. | ▶ Contact Customer Service. (see 10.4 Customer Service) |
| The freezer compartment cannot be closed.* | → The lock is on when the door is open. | ▶ Use the handle again. |

10.4 Customer Service

First check whether you can rectify the fault yourself (see 10 Customer help) . If you cannot rectify the problem, contact Customer Service.

You can find the address in the enclosed brochure "Liebherr-Service" or at home.liebherr.com/service.



WARNING

Unprofessional repair!
Injuries.

- ▶ Have any repairs and action - not expressly specified - on the appliance and mains cable carried out by service personnel only. (see 9 Maintenance)
- ▶ A damaged mains cable may only be replaced by the manufacturer, the manufacturer's Customer Service or a similarly qualified person.
- ▶ In the case of appliances with an IEC connector, the change may be made by the customer.

10.4.1 Contacting Customer Service

Make sure that the following appliance information is available:

- Appliance name (model and index)
- Service no. (Service)
- Serial no. (S no.)
- ▶ Refer to the type plate for device information. (see 10.5 Model plate)
- ▶ Note down the appliance information.
- ▶ Notify customer service: Report errors and the appliance information.
- ▷ This will help us to provide you with a faster, more accurate service.
- ▶ Follow further instructions from Customer Service.

10.5 Model plate

The type plate is located on the bottom left of the inside of the appliance.

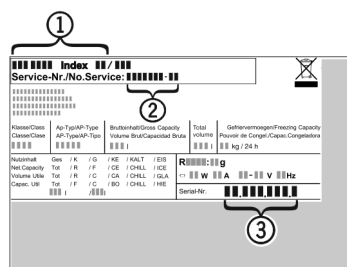


Fig. 71

- (1) Appliance description
- (2) Service no.
- (3) Serial no.

▶ Note the data on the model plate.

11 Shutting down

- ▶ Empty the appliance.
- ▶ Switch off appliance. (see Switching the appliance off and on)
- ▶ Pull the mains plug out of the socket.
- ▶ Remove the IEC socket if required: Pull the IEC socket out of the appliance plug and move it to the left and right at the same time.
- ▶ Clean appliance. (see 9.3 Cleaning the appliance)
- ▶ Leave the door open, so that no unpleasant odours arise.

On devices without a freezer compartment: *

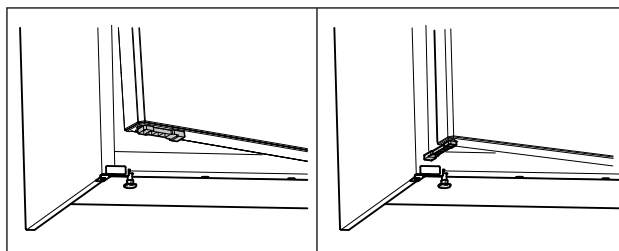


Fig. 72 *

- ▶ Fit the door opening limiter from the accessory pack to the bottom of the door.*
- ▶ Turn door opening limiter by 90°. (see Fig. 72) *
- ▶ Closing the device door: Lean the device door against the door opening limiter.*
- ▷ Device door remains open.*

On devices with a freezer compartment: *

- ▶ Open the freezer compartment door.*
- ▶ Closing the device door: Lean the device door against the freezer compartment door.*
- ▷ Device door remains open.*

12 Disposal

12.1 Preparing appliance for disposal



Liebherr uses batteries in some of its appliances. In the EU, for environmental reasons, legislation obliges the end user to remove these batteries before disposing of old appliances. If your appliance contains batteries, a corresponding notice is attached.

Lamps If you can remove the lamps yourself without destroying them, also remove these before disposal.

- ▶ Take the appliance out of operation.
- ▶ If possible: remove lamps without destroying them.

12.2 Disposing of the appliance in an environmentally friendly manner



The appliance still contains valuable materials and must be disposed of separately from unsorted municipal waste.



Dispose of batteries separately from the old appliance. To do this, you can return the batteries free of charge to retailers as well as recycling centres and collection centres for recyclable materials.

Lamps

Dispose of removed lamps via the respective collection systems.

For Germany:

You can dispose of the appliance free of charge via the class 1 collection containers at the local recycling and recyclable material collection centres. When purchasing a new fridge/freezer, if the sales area > 400 m², retailers will also take back the old appliance free of charge.

WARNING

Leaking coolant and oil!

Fire. The coolant contained in the appliance is eco-friendly, but also flammable. The oil contained in the appliance is flammable. Escaping coolant and oil can ignite if the concentration is high enough and in contact with an external heat source.

- ▶ Do not damage the pipelines of the coolant circuit and the compressor.
- ▶ Observe the notes on transporting the appliance. (see 4.6 Transporting appliance)
- ▶ Transport the appliance without damaging it.
- ▶ Dispose of batteries, lamps and the appliance according to the above specifications.



home.liebherr.com/fridge-manuals

EN countertop fridge
ORIGINAL OPERATOR'S MANUAL

Issue date: 20250106

Part number index: 7086753-00

Liebherr-Hausgeräte Marica EOOD
Bezirk Plovdiv
4202 Radinovo
Bulgarien