

Savour The Difference
With A Liebherr

Quality, Design and Innovation



UWKes 1752



LIEBHERR



Electronic LED Display: Intuitive navigation of the button control system enables tailored storage options. The digital temperature display can be viewed via the UV tinted glass door.



Wooden shelves: Liebherr's natural untreated beechwood shelves are ideal for storing Bordeaux bottles. Store bottles in opposite directions to make full use of the capacity.



LED lighting: LED lighting switches on when the door is opened. The interior lighting can be switched on or off via the light button located on the electronic control panel.

For wine collectors, temperature, humidity, vibration, and light are the most important elements of wine storage. Liebherr's **UWKes 1752** wine storage cabinet is ideal for storing wines for long periods of time, allowing them to mature to perfection.

This model ventilates through the toe kick, hence no counterslot is necessary, and can be integrated easily and elegantly under your customised kitchen countertop. It also boasts a digital temperature display with visibility through elegant glass doors.

UWKes 1752

GrandCru

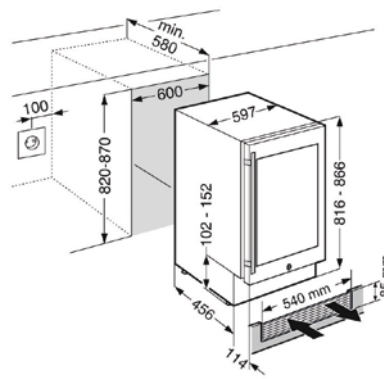
LED

Wine

Telescopic Rails

°Energy consumption (kWh/yr) 24hr	°145 0.396
Bottle capacity (750ml Bordeaux)	46
Safety glass door	•
Control system Display	Buttons Digital
Digital temperature display	Internal
Tinted glazed door	Double
Temperature zones	1
Temperature range (°C) Min Max °C	5 20
Suitable for ambient temperature Min Max°C	10 43
Interior light	LED
Hand crafted beech wood shelves Telescopic rails	3 •
Base shelves	1
Recirculated air cooling	•
Fresh air supply via activated charcoal filter	1
Child proof lock (control panel)	•
Handle design	Aluminium
Key lock Label holders	• •
Temp alarm Door open warning signal Malfunction warning signal	• • •
Ventilation switch Automatic defrosting	• •
Adjustable height	•
Door hinge	Right, reversible
Gross weight (kg) Net weight (kg)	52 45
Voltage (V) Rated Current (A)	220-240 0.8
Made In	Austria

Installation Diagram



° = Measurements taken at +25°C ambient and +12°C interior temperature tested by Liebherr Germany (not to Australian standards).

Note: Whilst every effort is made to ensure all specifications and information in this flyer are accurate, Liebherr reserves the right to make changes without notification. Where actual appliance measurements, specifications, and ratings are crucial, we recommend that the actual appliance installation instructions that accompany each appliance be checked. Liebherr will not be liable for any loss.