

---

# XRFsdh 5265

---

Side-by-Side combination  
○ Prime

# LIEBHERR

Freestanding



**SFNsdh 5267**

Freestanding freezer with NoFrost

◊ Prime



← 60 →



Energy consump. in 365 days/24 h	256 kWh <sup>1</sup>
Total net capacity	262 l
Noise output	35 dB(A)
Climate rating	SN-T (+10 °C to +43 °C)
Frequency / voltage	50-60 Hz / 220-240 V-
Connection Rating	1.3 A 264.6 W
Door / Side walls	SmartSteel / silver
Exterior dimensions in cm (h / w / d)	185.5 / 59.7 / 67.5 <sup>1</sup>

**Controls**

Type of Control	2.4" TFT-colour display behind-the-door, touch- & swipe Digital temperature display
Interface	SmartDeviceBox: optional accessory (Only available in selected countries)
Door alarm	visual and acoustic
Alarm in case of malfunction	visual and acoustic

**Freezer compartment**

Interior light	LED lighting
Number of drawers	7 drawers, VarioSpace Top drawer with convenient tilting function
IceMaker	with fixed 3/4" water connection
Ice cube capacity in 24 hours	0.8 kg
Ice cube stock	8.0 kg
Freezing capacity in 24 hours	18 kg
Temperature rise time	16 h
VarioSpace	yes
Cold storage accumulators	2

**Features**

Side-by-Side concept	Side wall heating right, suitable for combination with other refrigerators, freezers and/or wine appliances
Door hinges	Reversible door hinge, left
Replaceable door seal	yes
EAN-Nr.	4016803090038

<sup>1</sup> To achieve the indicated energy consumption level, the wall spacers provided with the appliance must be used. These increase the appliance depth by approximately 1.5 cm. If the wall spacers are not used, the appliance will remain fully functional, but will have a slightly higher energy consumption level.

# Features

---



## NoFrost

When you open your freezer, you want to see frozen food – and certainly not ice and frost. NoFrost protects the freezer compartment from unwanted icing, which consumes a lot of energy and can be expensive. NoFrost means no more tedious and time-consuming defrosting of the freezer compartment, more time for other things – and saving money.



## Retrofitable SmartDeviceBox

Want to be prepared for the future of the Smart Home? Your Liebherr will be happy to help. You can retrofit it with a SmartDeviceBox which will connect your Liebherr to the Internet. The SmartDeviceBox can be installed in just a few steps and will open up the whole world of digital possibilities to you today.



## Touch & Swipe display

Control of your Liebherr at your fingertips: thanks to the Touch & Swipe display, you can operate your refrigerator intuitively and with ease. Simply select functions such as SuperCool on the colour display by tapping and swiping. The temperature is controlled just as easily. And, what if you are not actively using the display? Well, it then shows you the actual temperature.



## SmartSteel

The SmartSteel surface makes your high-end quality Liebherr a real eye-catcher – and a real piece of designer furniture. The horizontal effect perfectly accentuates the stainless steel and gives the surface a silky gloss, making it pleasant to the touch. The anti-fingerprint coating reduces the visibility of finger prints and is easy to clean.



## IceTower

You will never run out of cold drinks at your party. The IceTower, which holds 8 kg of ice cubes, makes sure of that. The ice cube scoop and the pull-out tray on telescopic rails allow easy access to the ice cubes. An extra insert tray means you can also store less ice and make room for frozen food underneath. The adjacent drawer provides storage space for frozen goods.



## Ice cube scoop

The Liebherr ice scoop makes portioning and transporting of ice easy. Thanks to the slanted tip and the ergonomic handle, ice cubes can make it from your IceTower into your drinks quickly and easily. The robust ice scoop made of sturdy plastic is also pleasing to the eye thanks to its satin surface in transparent glacier green.



# SRBsdh 5260

Freestanding refrigerator with  
BioFresh Professional

◊ Prime



← 60 →



Energy consump. in 365 days/24 h	<b>136 kWh<sup>1</sup></b>
Total net capacity	<b>378 l</b>
Total net	Fridge: <b>378 l</b> including BioFresh compartment: <b>133 l</b>
Noise output	<b>34 dB(A)</b>
Climate rating	<b>SN-T (+10 °C to +43 °C)</b>
Frequency / voltage	<b>50-60 Hz / 220-240 V~</b>
Connection Rating	<b>1.2 A</b>
Door / Side walls	<b>SmartSteel / silver</b>
Exterior dimensions in cm (h / w / d)	<b>185.5 / 59.7 / 67.5<sup>1</sup></b>
<b>Controls</b>	
Type of Control	2.4" TFT-colour display behind-the-door, touch- & swipe Digital temperature display for fridge and BioFresh compartments
Interface	SmartDeviceBox: optional accessory (Only available in selected countries)
Door alarm	visual and acoustic
<b>Fridge compartment</b>	
Forced air system	PowerCooling with FreshAir activated charcoal filter
Door interior	Premium GlassLine storage shelves with bottle holder, removable VarioBoxes, adjustable egg tray
VarioSafe	yes
Bottle shelf	Integrated bottle shelf
Interior light	LED light panel, both sides LED BioFresh lighting
BioFresh-Safes	3 BioFresh safes with SoftTelescopic, 1 Fruit & Vegetable safe, 1 Fish & Seafood safe, 1 Meat & Dairy safe
<b>Features</b>	
Side-by-Side concept	Side wall heating left, suitable for combination with other refrigerators, freezers and/or wine appliances
Door hinges	Reversible door hinging
Replaceable door seal	yes
EAN-Nr.	4016803058113

<sup>1</sup> To achieve the indicated energy consumption level, the wall spacers provided with the appliance must be used. These increase the appliance depth by approximately 1.5 cm. If the wall spacers are not used, the appliance will remain fully functional, but will have a slightly higher energy consumption level.

## Features

---



### Fruit & Vegetable safe

Crunchy salad and strawberries: the most delicate foods deserve a special place so they stay fresh longer – in BioFresh safes. In the Fruit & Vegetable safe the temperature is close to 0 °C. Combined here with the constant humidity, thanks to the air-tight closure, unpackaged fruit and vegetables feel particularly at home. You do not have to adjust anything.



### Meat & Dairy safe

Do you want the tender veal fillet or fresh milk to stay fresh for as long as possible? The BioFresh safes will ensure this is the case. In the Meat & Dairy Safe, the temperature is close to 0 °C – ideal storage conditions for even the most delicate of foods. And best of all, everything is perfectly adjusted in the factory for immediate use – and for longer freshness.



### Retrofitable SmartDeviceBox

Want to be prepared for the future of the Smart Home? Your Liebherr will be happy to help. You can retrofit it with a SmartDeviceBox which will connect your Liebherr to the Internet. The SmartDeviceBox can be installed in just a few steps and will open up the whole world of digital possibilities to you today.



### LightTower

Enjoy an optimally illuminated interior: the LightTower shows off the food in its best light and is positioned so that all of your filled fridge is illuminated at all times. The flush mounting of the LightTower in the side walls means there is also more space for your food.



### Touch & Swipe display

Control of your Liebherr at your fingertips: thanks to the Touch & Swipe display, you can operate your refrigerator intuitively and with ease. Simply select functions such as SuperCool on the colour display by tapping and swiping. The temperature is controlled just as easily. And, what if you are not actively using the display? Well, it then shows you the actual temperature.

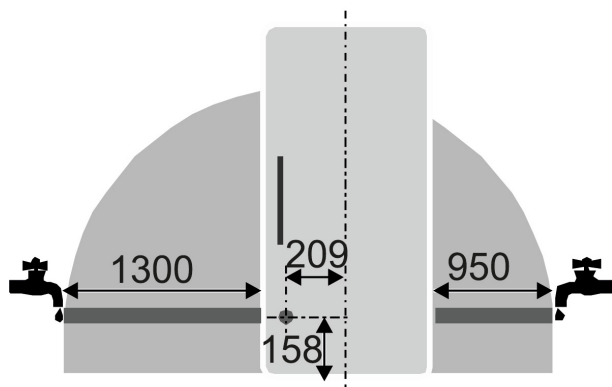
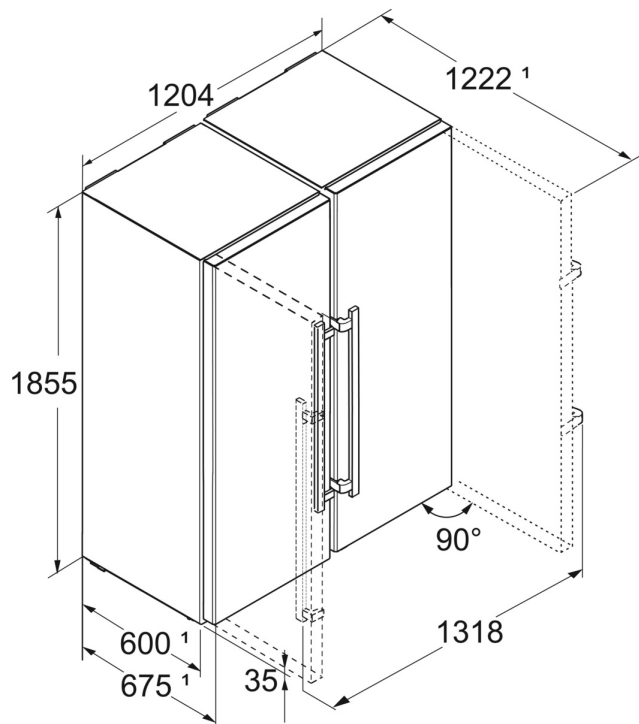


### SmartSteel

The SmartSteel surface makes your high-end quality Liebherr a real eye-catcher – and a real piece of designer furniture. The horizontal effect perfectly accentuates the stainless steel and gives the surface a silky gloss, making it pleasant to the touch. The anti-fingerprint coating reduces the visibility of finger prints and is easy to clean.

# Technical drawing

---



SFNsdh 5267

---

Products and their details are staged for advertising purposes. Whilst every effort is made to ensure all specifications and information in this flyer are accurate, Liebherr reserves the right to make changes without notification. Where actual appliance measurements, specifications, and ratings are crucial, we recommend that the actual appliance installation instructions that accompany each appliance be checked. Liebherr will not be liable for any damage. (04.09.2023)

