

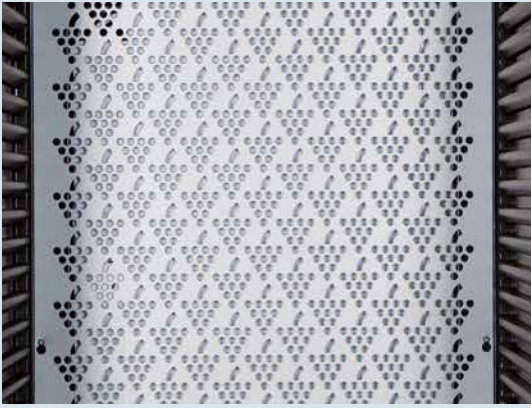
Wine Storage Sophistication For Your Home

Quality, Design and Innovation



WKb 4611

LIEBHERR



Optimum humidity: Liebherr wine cabinets guarantee an optimum humidity and this ensured the corks are supple in place whilst still allowing the wine to breathe in its maturing process.



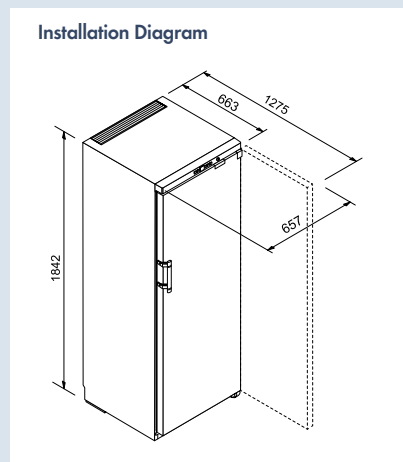
Integrated lock: Integrated in the front control panel for easy access, this sturdy lock protects your fine wine collection.



Wooden shelves: The wooden shelves are ideal for storing Bordeaux bottles. They can be stored in opposite directions to make full use of the capacity.

The **WKb 4611** wine cabinet mimics the conditions of an underground wine cellar. Its solid door creates a dark, undisturbed environment with zero exposure to UV light and heat fluctuations – perfect for maturing wines. This unit ensures a constant interior temperature, which can be adjusted between +5 °C and +20 °C. Wines are always stored safely on our untreated wooden shelves while the activated charcoal filter provides optimal air quality.

WKb 4611	LED	Wine
Barrique		
°Energy consumption (kWh/yr) 24hr	°175 0.479	
Bottle capacity (750ml Bordeaux)	195	
Control system Display	Buttons Digital	
Digital temperature display	External	
Tinted glazed door	Solid door	
Temperature zones	1	
Temperature range (°C) Min Max °C	5 20	
Suitable for ambient temperature Min Max°C	10 43	
Interior light	Bulb	
Beech wood shelves	6	
Base shelves	1	
Recirculated air cooling Fresh air supply via activated charcoal filter	• 1	
Child proof lock (control panel)	•	
Handle design	Black plastic	
Key lock Label holders	• •	
Temp alarm Door open warning signal	• •	
Door hinge	Right, reversible	
Gross weight (kg) Net weight (kg)	78.5 68.5	
Voltage (V) Rated Current (A)	220-240 1.0	
Made In	Malaysia	



Activated Charcoal Filter
Part no.: 3988129100

° = Measurements taken at +25°C ambient and +12°C interior temperature tested by Liebherr Germany (not to Australian standards).

Note: Whilst every effort is made to ensure all specifications and information in this flyer are accurate, Liebherr reserves the right to make changes without notification. Where actual appliance measurements, specifications, and ratings are crucial, we recommend that the actual appliance installation instructions that accompany each appliance be checked. Liebherr will not be liable for any loss.