

UF 501

Undercounters

LIEBHERR

Refrigeration and Freezing



home.liebherr.com



UF 501

Energy consumption (kWh / y)	302
Estimated Yearly Energy Cost in US \$	42
Sound rating dB(A)	38
Freezer capacity cu.ft. (l)	2.8 (79)
Electronic control	Touch electronic
Defrost type	Automatic
Number of FrostSafe Drawers	3
Temperature range °F (°C)	+ 7 to - 18°F (-14 to -28°C)
Interior Light	LED lighting
Door alarm	Acoustic
Door type	Panel ready
SoftSystem	Yes
Door hinges	Left, reversible
Product dimensions	
in inch (H / W / D)	32 1/4" / 23 9/16" / 21 11/16"
in cm (H / W / D)	82 / 59.7 / 55
Cut out dimensions	
in inch (H / W / D)	32 5/16-34 11/16 / 23 9/16 / 21 11/16
in cm (H / W / D)	82-88 / 60 / 55
Net weight lbs. (kg)	88 (39.9)
Voltage V / Hz	115/60

Accessories

Stainless steel panel with pre-drilled holes, vertical handle 9902830

Brushed aluminum square handle 9901561

Features

LED

LED lighting is energy efficient, long-lasting, and maintenance-free. It illuminates the refrigerator to ensure that your foods are visible.

Soft System

SoftSystem integrated into the appliance door, cushions the door closure, thus eliminating slamming, even when the shelves are fully loaded.

ADA Compliant

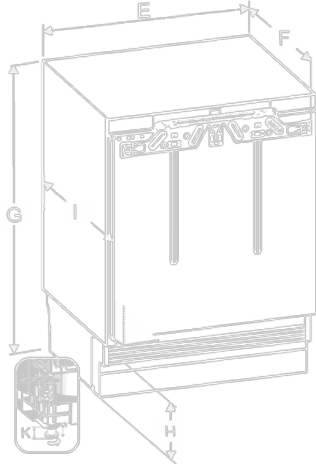
ADA compliant, designed to fit under counter heights between 32" and 34".

* Energy Cost will depend on utility rates and use. Estimated energy cost based on a national average electricity cost of 14 cents per kWh.

** Noise output – according to EN 60704-3

Diagrams

Appliance and Cabinet Dimensions



E	23 - 1/2" (597 mm)
F	closed: 21 - 5/8" (550 mm) max. opened: 55 - 5/8" (1412,9 mm)
G	adjustable feet screwed in: 32 - 1/4" (819,5 mm) adjustable feet screwed out max: 34 - 1/4" (869,5 mm)
H	6 - 5/8" - 8 - 9/16" (168 mm - 218 mm)
I	21 - 1/4" (540 mm)
K	max. height adjustment: 2" (max. 50 mm)

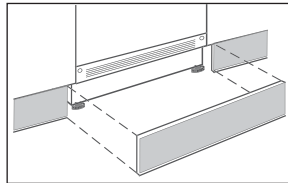
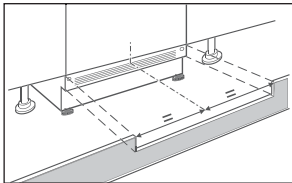
Toe Kick Installation

The toe kick installation will be different depending on the cabinetry where the appliance is installed. A toe kick panel will be required to cover the gap between the ventilation grill and the floor.

A cut-out in the toe kick panel is necessary when the toe kick covers the ventilation openings of the ventilation grill.

If the cabinets do not have a toe kick, a toe kick can be prepared and fitted just in front of the appliance.

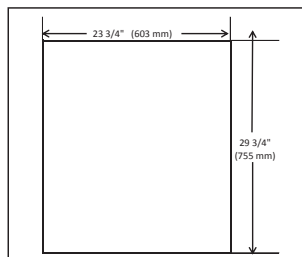
A stainless steel adjustable toe kick is provided with the unit. A custom panel toe kick can also be used.



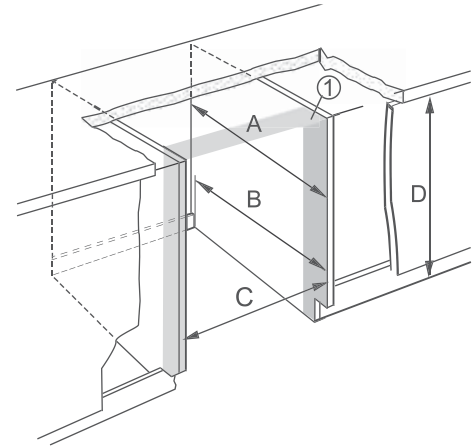
Door Panel for Standard Toe Kick

These panel dimensions are for inset flush installation in a standard cabinet opening of 24" (610 mm) wide with a cabinet that is 30" (762mm) tall plus a 4" (102 mm) or 4 1/2" (115 mm) toe kick.

If the cabinet opening is different you will need to modify the door panel accordingly.

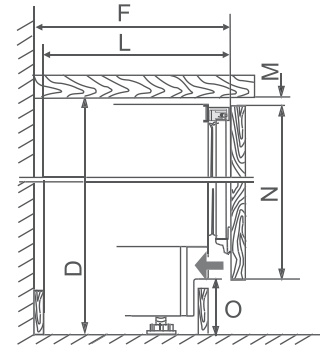


Cabinet Dimensions

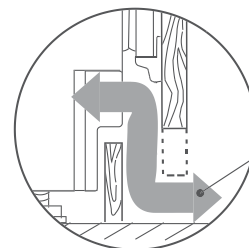


A	min. 21 - 5/8" (min. 550 mm)
B	21 - 1/4" (540 mm)
C	23 - 5/8" - 24" (600 mm - 610 mm)
D	32 - 1/4" - 34 - 5/8" (820 mm - 880 mm)
	3" (approx. 76 mm) of the cabinet needs to be finished as it can be seen when the door is open.

Side view



D	32 - 1/4" - 34 - 5/8" (820 mm - 880 mm)
F	closed: 21 - 5/8" (550 mm) max. opened: 55 - 5/8" (1412,9 mm)
L	21 - 1/4" (540 mm)
M	1/8" (4 mm)
N	25 - 7/16" - 30 - 5/16" (646 mm - 770 mm)
O	max. 4" - 6" (max. 102 mm - 152 mm)



A gap of 1 3/8" (35 mm) must be maintained to ensure sufficient ventilation.