



## Installation Guide

Quality, Design and Innovation



[home.liebherr.com/fridge-manuals](http://home.liebherr.com/fridge-manuals)



# LIEBHERR

# General safety instructions

## Contents

<b>1</b>	<b>General safety instructions.....</b>	<b>2</b>
<b>2</b>	<b>Installation conditions.....</b>	<b>3</b>
2.1	Location.....	3
2.2	Building the appliance into kitchen units.....	3
2.3	Installing multiple appliances.....	4
2.4	Mains connection.....	5
<b>3</b>	<b>Appliance dimensions.....</b>	<b>5</b>
<b>4</b>	<b>Transporting appliance.....</b>	<b>6</b>
<b>5</b>	<b>Unpacking the appliance.....</b>	<b>6</b>
<b>6</b>	<b>Mounting wall spacers.....</b>	<b>6</b>
<b>7</b>	<b>Setting up the appliance.....</b>	<b>6</b>
<b>8</b>	<b>Setting up the appliance so that it is level.....</b>	<b>6</b>
<b>9</b>	<b>After setting up.....</b>	<b>7</b>
<b>10</b>	<b>Disposing of packaging.....</b>	<b>7</b>
<b>11</b>	<b>Swapping the door hinge side.....</b>	<b>7</b>
11.1	Removing the closing dampers*.....	7
11.2	Removing covers*.....	9
11.3	Switch door magnet.....	9
11.4	Loosening the cable connection.....	9
11.5	Removing the door.....	10
11.6	Re-locating the remote lock*.....	10
11.7	Relocating the upper bearing components.....	11
11.8	Relocating the bottom bearing components.....	13
11.9	Relocating the door bearing parts.....	14
11.10	Relocating the handles*.....	15
11.11	Fitting the bottom door.....	16
11.12	Fitting the top door.....	16
11.13	Fitting the cable connection.....	17
11.14	Aligning the door.....	17
11.15	Attaching the covers.....	17
11.16	Fitting the closing damper*.....	18
<b>12</b>	<b>Connecting the appliance to the power supply....</b>	<b>19</b>

The manufacturer is continually working on the further development of all types and models. Please be aware that we reserve the right to make changes to the shape, equipment and technology.



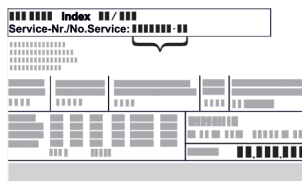




Symbol	Explanation
	<b>Read instructions</b> Please read the information in these instructions carefully to understand all of the benefits of your new appliance.
	<b>Additional information on the Internet</b> The digital manual with additional information and in other languages can be found via the QR code on the front of the manual or by entering the service number at <a href="http://home.liebherr.com/fridge-manuals">home.liebherr.com/fridge-manuals</a> . The service number can be found on the serial tag: 

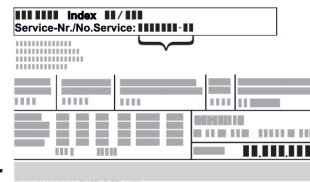
Fig. Example illustration




Symbol	Explanation
	<b>Check appliance</b> Check all parts for transport damage. If you have any complaints, please contact your agent or customer service.
	<b>Differences</b> These instructions apply to a range of models, so differences are possible. Sections that apply to certain models only are marked with an asterisk (*).
	<b>Instructions and results</b> Instructions are marked with a ▶. Results are marked with a ▷.
	<b>Videos</b> Videos about the appliances are available on the YouTube channels of Liebherr-Hausgeräte.

### Open source licences:

The appliance contains software components that use open source licences. Information on the open source licences used can be found here: [home.liebherr.com/open-source-licences](http://home.liebherr.com/open-source-licences)

## 1 General safety instructions

- Please keep this assembly manual in a safe place so you can refer back to it at any time.
- If you pass the appliance on, please hand this assembly manual to the next user.
- Read this assembly manual carefully before installation and use to ensure safe and correct use of the appliance. Follow the instructions, safety instructions and warning messages included at all times. They are important for ensuring you can operate and install the appliance safely and without any problems.
- First read the general safety instructions in the “General safety instructions” section of the **operating instructions**, which accompany these installation instructions, and follow them. If you cannot find the **operating instructions**, you can download the **operating instructions** from the internet by entering the service number at [home.liebherr.com/fridge-manuals](http://home.liebherr.com/fridge-manuals). The service number can be found on the serial tag:  

- **Observe the warning messages and other detailed information in the other sections when installing the appliance:**

	DANGER	identifies a situation involving direct danger which, if not obviated, may result in death or severe bodily injury.
	WARNING	identifies a dangerous situation which, if not obviated, may result in death or severe bodily injury.
	CAUTION	identifies a dangerous situation which, if not obviated, may result in minor or medium bodily injury.
	NOTICE	identifies a dangerous situation which, if not obviated, may result in damage to property.
	Note	identifies useful instructions and tips.

- If the appliance is placed directly next to an oven, the energy consumption may increase slightly. This is dependent on the service life and usage intensity of the oven.
- Install the appliance with the rear panel up against the wall and always use the supplied wall spacers (see below).

## 2.2 Building the appliance into kitchen units

You can install kitchen cabinets around the appliance.

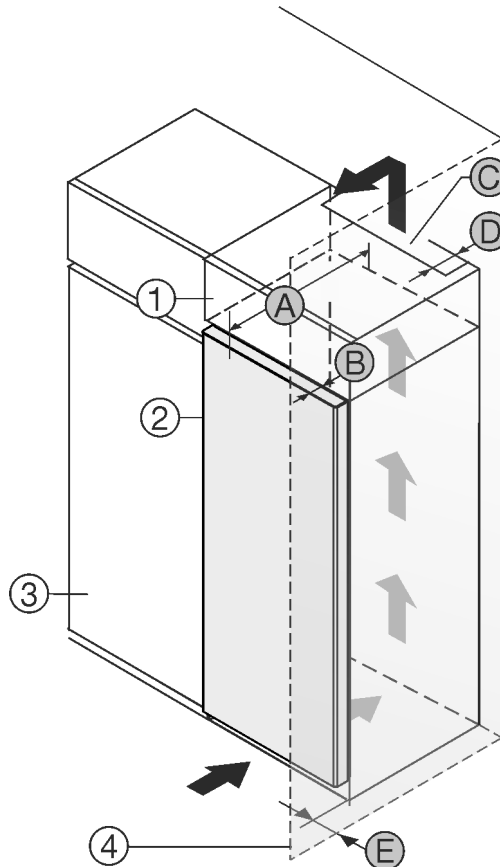


Fig. 1

- (1) Top cupboard \*
- (2) Appliance \*
- (3) Kitchen cabinet \*
- (4) Wall \*
- (A) Appliance depth \*
- (B) Door depth \*
- (C) Ventilation cross section \*
- (D) Distance to the back of the appliance \*
- (E) Distance to the side of the appliance \*

You can place the appliance directly beside the kitchen cabinet Fig. 1 (3).\*

There must be a ventilation shaft at the depth Fig. 1 (D) of the back of the top cupboard over the entire width of the top cupboard.\*

The ventilation cross-section Fig. 1 (C) must be maintained under the ceiling.\*

If the appliance is set up with the hinges next to a wall Fig. 1 (4), the distance between the appliance and the wall must be at least 13 mm.\*

If the appliance is set up with the hinges next to a wall Fig. 1 (4), the distance between the appliance and the wall must be at least 20 mm.\*

## 2 Installation conditions

### WARNING

Fire hazard due to dampness!

If live parts or the mains lead become damp this may cause short circuits.

- The appliance is designed for use in enclosed areas. Do not operate the appliance outdoors or in areas where it is exposed to splash water or damp conditions.

Intended use

- Install and use the appliance in indoor spaces only.

### 2.1 Location

#### WARNING

Leaking coolant and oil!

Fire. The coolant contained in the appliance is eco-friendly, but also flammable. The oil contained in the appliance is flammable. Escaping coolant and oil can ignite if the concentration is high enough and in contact with an external heat source.

- Do not damage the pipelines of the coolant circuit and the compressor.

- If the appliance is installed in a very humid environment, condensation can build up on the outside of the unit. Always ensure good airflow and ventilation in the installation location.
- The more refrigerant there is in the appliance, the larger the space that it is installed in must be. If the space is too small, any leak may create a flammable mixture of gas and air. For every 8 g of refrigerant, the installation space must be at least 1 m<sup>3</sup>. Information regarding the coolant can be found on the serial tag inside the appliance.

#### 2.1.1 Supporting floor

- The floor of the installation site must be horizontal and even.
- The surface supporting the appliance must be at the same level as the surrounding floor.

#### 2.1.2 Positioning

- Do not place the appliance in direct sunlight or near radiators or similar sources of heat.
- You can place the appliance directly next to an oven.

# Installation conditions

In order to be able to fully open the door, the appliance must protrude by the depth of the door *Fig. 1 (B)* from the front of the kitchen cabinet. The appliance may protrude further depending on the depth of the kitchen cabinets *Fig. 1 (3)* and whether wall spacers are used.\*

Appliances without handle / with recessed grip:*	
A	675 mm <sup>x</sup>
B	75 mm
C	Min. 300 cm <sup>2</sup>
D	Min. 50 mm
E	Min. 13 mm

<sup>x</sup> The use of wall spacers increases the dimensions by 15 mm (see 6 Mounting wall spacers) .\*

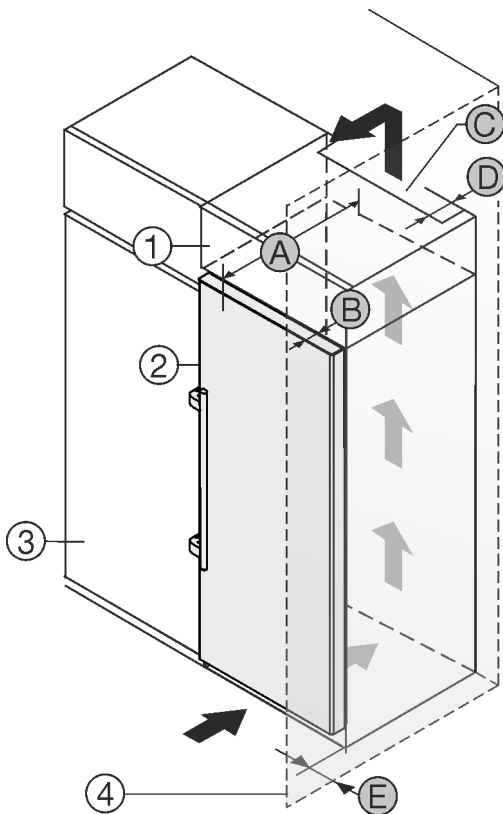


Fig. 2

- (1) Top cabinet \*
- (2) Appliance \*
- (3) Kitchen cabinet \*
- (4) Wall \*
- (A) Appliance depth \*
- (B) Door depth \*
- (C) Ventilation cross section \*
- (D) Distance to the back of the appliance \*
- (E) Distance to the side of the appliance \*

You can place the appliance directly beside the kitchen cabinet *Fig. 2 (3)*.\*

There must be a ventilation shaft at the depth *Fig. 2 (D)* of the back of the top cupboard over the entire width of the top cupboard.\*

The ventilation cross-section *Fig. 2 (C)* must be maintained under the ceiling.\*

If the appliance is set up with the hinges next to a wall *Fig. 2 (4)*, the distance between the appliance and the wall must be at least 57 mm . This is how far the handle protrudes when the door is open.\*

In order to be able to fully open the door, the appliance must protrude by the depth of the door *Fig. 2 (B)* from the front of the kitchen cabinet. The appliance may protrude further depending on the depth of the kitchen cabinets *Fig. 2 (3)* and whether wall spacers are used.\*

Appliances with lever handle:*	
A	675 mm <sup>x</sup>
B	75 mm
C	Min. 300 cm <sup>2</sup>
D	Min. 50 mm
E	Min. 57 mm

<sup>x</sup> The use of wall spacers increases the dimensions by 15 mm (see 6 Mounting wall spacers) .\*

## Note

Please contact Customer Services to acquire a kit to limit the door opening angle to 90° for appliances with soft close mechanisms.\*

Ensure that the following conditions are met:

- Recess dimensions are adhered to .
- Ventilation requirements are complied with .

## 2.3 Installing multiple appliances

The appliances have been developed for different installation methods. If you wish to install several appliances next to each other or on top of each other, ensure that the following requirements are met:

- Only install appliances next to or on top of each other if they have been developed for this.
- Observe notices and the following table.

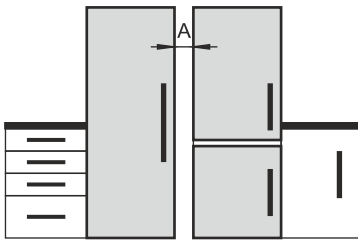
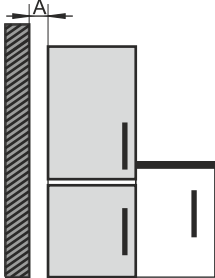
## NOTICE

Risk of damage due to condensate!

- ▶ Do not place the appliance directly next to another cooling/refrigeration unit.

Model	Installation method
All models	Standalone
Models with a model designation starting with S...	Side-by-Side (SBS)

## 3 Appliance dimensions

Model	Installation method
Models without side wall heating	 <p><b>Next to each other:</b> Install with gap <b>A</b> of 70 mm between the appliances.</p> <p><b>Next to each other:</b> Install with gap <b>A</b> of 100 mm between the appliances.</p> <p>If you do not comply with this gap, condensation will form on the side walls between the appliances.</p>  <p><b>On an exterior wall:</b> Install with gap <b>A</b> as with installation next to each other.</p> <p>If you do not comply with this gap, condensation may form on the appliance's side wall.</p>

Models and their installation method

Assemble the appliances according to the separate installation instructions.

## 2.4 Mains connection



### WARNING

Danger of fire due to incorrect positioning! If the mains cable or plug touches the back of the appliance, the vibration can damage the mains cable or the plug resulting in a short circuit.

- ▶ Make sure the mains cable is not trapped under the appliance when you position the appliance.
- ▶ Stand the appliance so that it is not touched by connectors or main cables.
- ▶ Do not connect any appliances to sockets in the area of the back of the appliance.
- ▶ Do **not** place and operate multi-sockets/power distributors and other electronic devices (such as halogen transformers) at the back of the appliances.

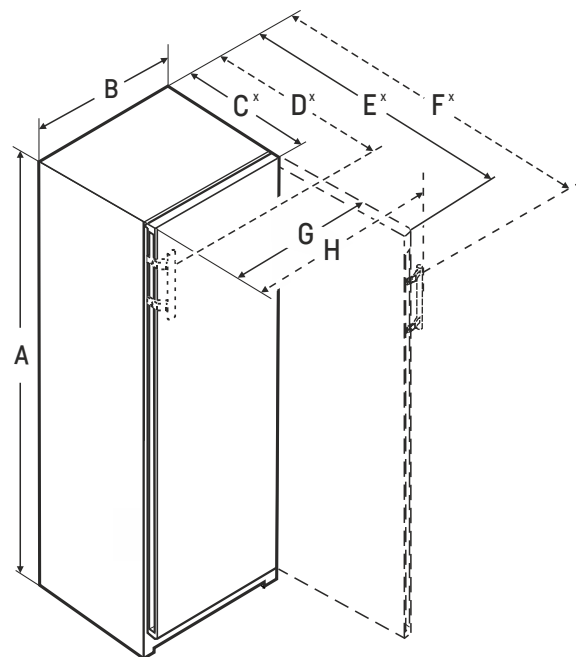


Fig. 3

**A** = Appliance height including feet / rollers / hinge

**B** = Appliance width without handle

**C** = Appliance depth without handle

**D** = Appliance depth with handle

**E** = Appliance depth with door open and without handle

**F** = Appliance depth with door open and with handle

**G** = Appliance width with door open and without handle

**H** = Appliance width with door open and with handle

	WPs.. 46..	WPb.. 50..	WSb.. 52.. / WPb.. 52..	WPg.. 52..
<b>A (mm)</b>	1454	1654	1854	1854
<b>B (mm)</b>	597	597	597	597
<b>C (mm)</b>	675 <sup>x</sup>	675 <sup>x</sup>	675 <sup>x</sup>	678 <sup>x</sup>
<b>D (mm)</b>	719 <sup>x</sup>	719 <sup>x</sup>	719 <sup>x</sup>	–
<b>E (mm)</b>	1230 <sup>x</sup>	1230 <sup>x</sup>	1230 <sup>x</sup>	1231 <sup>x</sup>
<b>F (mm)</b>	1237 <sup>x</sup>	1237 <sup>x</sup>	1237 <sup>x</sup>	–
<b>G (mm)</b>	609	609	609	613
<b>H (mm)</b>	653	653	653	–

	WPg.. 74..
<b>A (mm)</b>	2013
<b>B (mm)</b>	697
<b>C (mm)</b>	764 <sup>x</sup>
<b>D (mm)</b>	–
<b>E (mm)</b>	1416 <sup>x</sup>
<b>F (mm)</b>	–
<b>G (mm)</b>	713
<b>H (mm)</b>	–

<sup>x</sup> This dimension increases by 15 mm on appliances with attached wall spacer brackets. (see 6 Mounting wall spacers)

# Transporting appliance

## 4 Transporting appliance



### WARNING

Risk of injury due to broken glass!\*  
When transporting at an altitude of more than 1500 m, the glass panes of the door may break. This can result in sharp-edged fragments, which can cause serious injuries.

- ▶ Take appropriate protective action.

### Note when transporting the appliance:

- ▶ Transport the appliance upright.
- ▶ Use two people to transport the appliance.

### During first use:

- ▶ Transport the appliance packaged.

### When transporting appliances after initial commissioning (e. g. moving or cleaning):

- ▶ Empty the appliance.
- ▶ Secure the door against unintentional opening.

## 5 Unpacking the appliance

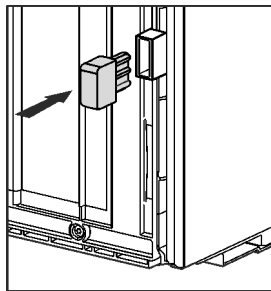
Before you connect the appliance, report any damage immediately to the delivery company.

- ▶ Check the appliance and the packaging for damage during transport. Contact the supplier immediately if you suspect any level of damage.
- ▶ Remove all materials from the back or the side walls of the appliance that may prevent proper installation or ventilation.
- ▶ Remove all protective films from the appliance. Do not use sharp or pointed objects for this.

## 6 Mounting wall spacers

With wall spacers, your device achieves the declared energy consumption and no condensation forms in high ambient humidity. The device is fully functional without the spacer brackets, but its energy consumption will be slightly higher.

If you insert the wall spacers, then the device depth increases by approx. 15 mm.



- ▶ Appliance with enclosed wall spacers: Insert the wall spacers on the rear of the appliance at the bottom left and right.

## 7 Setting up the appliance



### CAUTION

Risk of injury due to heavy appliance!  
▶ Have two people transport the appliance to its installation site.



### CAUTION

Risk of injury and damage!\*  
The door may strike the wall and be damaged as a result. In the case of glass doors, the damaged glass may cause injuries!

- ▶ Protect the glass door from striking against the wall. Fit a door stop, e.g. one made of felt, to the wall.
- ▶ A limiter restricting door opening to 90° can be ordered from the aftersales service.



### WARNING

Risk of fire due to short circuit!

- ▶ When you set the appliance up: do not kink, jam or damage the mains cable.
- ▶ The appliance must not be operated with a defective mains cable.



### WARNING

Danger of injury and damage due to the appliance being unstable!

The appliance can topple over.

- ▶ Secure the appliance as described in the instructions.



### WARNING

Fire hazard and danger of damage!

- ▶ Do not place appliances emitting heat e.g. microwaves, toasters etc. on the appliance!

Ensure that the following conditions are met:

- Only move the device when it is not loaded.
- Only install the appliance with help.
- ▶ Remove the mains cable from the package.
- ▶ Plug the mains cable's IEC socket completely into the appliance plug on the back of the appliance. Ensure that the IEC socket is tight.
- ▶ Use a cord to lay the mains plug to a freely accessible socket if required.

## 8 Setting up the appliance so that it is level

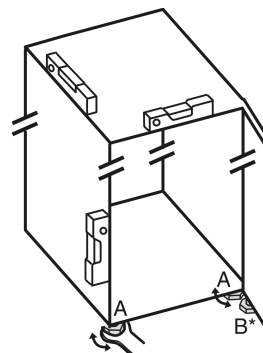


Fig. 4

- ▶ Unscrew the adjustable feet Fig. 4 (A) using the enclosed open-end spanner and a spirit level until the appliance is firmly aligned and level.

## CAUTION

Risk of injury or damage from the appliance tipping or the door falling open!\*

If the additional adjustable foot on the base support is not correctly positioned on the floor, there is a risk of the door falling open or the appliance tipping. This can lead to injury or property damage.

▶ Unscrew the additional adjustable foot on the swap bearing block as instructed.

▶ Unscrew the adjustable foot *Fig. 4 (B)* on the swap bearing block with the enclosed open-end spanner until it rests on the floor.

▶ Turn the adjustable foot *Fig. 4 (B)* 90° further.

▷ The appliance is aligned.

## 9 After setting up

▶ Take off the protective film from the exterior of the appliance.

▶ Take off the protective film from the trim panels.

▶ Take off the protective film from the stainless steel rear panel.

▶ Remove all transport safety components.

▶ Clean the appliance. (see operating instructions)

▶ Note the type (model, number), appliance designation, appliance/serial number, purchase date and dealer's address.

## 10 Disposing of packaging

### WARNING

Danger of suffocation due to packing material and plastic film!

▶ Do not allow children to play with packing material.

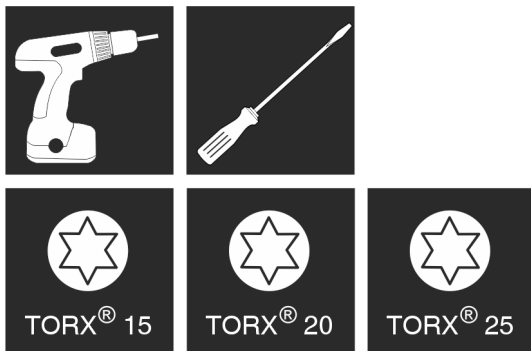
The packaging is made of recyclable materials:

- corrugated board/cardboard
- expanded polystyrene parts
- polythene bags and sheets
- polypropylene straps
- nailed wooden frame with polyethylene panel\*

▶ Take the packaging material to an official collecting point.

## 11 Swapping the door hinge side

### Tool



*Fig. 5*

### WARNING

Risk of injury if the door is not reversed correctly!

▶ Replace the door hinge with specialist personnel.

### WARNING

Risk of injury and material damage due to heavy door!

▶ Only perform the conversion if you can carry a weight of 25 kg.

▶ Always have someone help you carry out the conversion.

### NOTICE

Live parts!

Damage to electrical components.

▶ Remove the mains plug before you reverse the door.

### NOTICE

Risk of damage due to door collision!

Damage to the appliances with Side-by-Side positioning. If you set up two appliances next to each other in a specific Side-by-Side arrangement, the door hinge of both appliances is preset at the factory.

▶ Side-by-Side positioning: Do not change the door hinge.

The following sections apply to appliances **with closing dampers**.\*

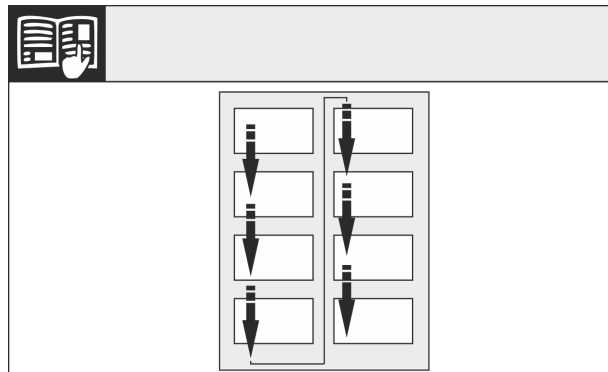
For appliances **with** closing dampers

For all appliances

The following sections apply to appliances **without closing dampers**.\*

For appliances **without** closing dampers

For all appliances



*Fig. 6*

Note the direction of reading.

### 11.1 Removing the closing dampers\*

**For appliances with closing dampers:**

▶ Open the door.

### NOTICE

Risk of damage!

If the door seal is damaged, the door may fail to close properly and the cooling will be inadequate.

▶ Do not damage the door seal with the screwdriver!

# Swapping the door hinge side

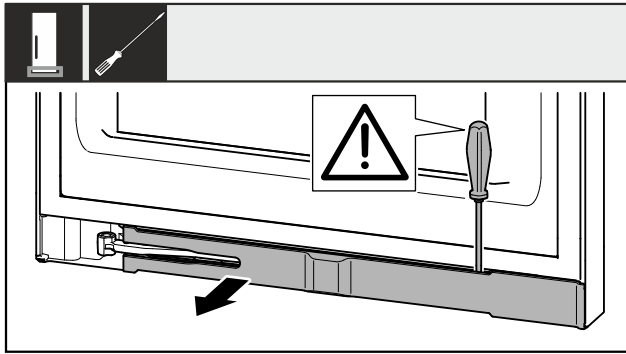


Fig. 7

- ▶ Unlatch trim with slotted screwdriver.
- ▶ Remove the trim.



## CAUTION

- Crushing hazard by joint folding up!
- ▶ Engage safety device.

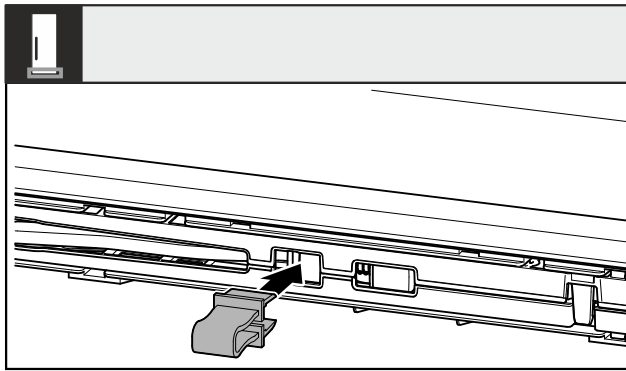


Fig. 8

- ▶ Latch safeguard into opening.

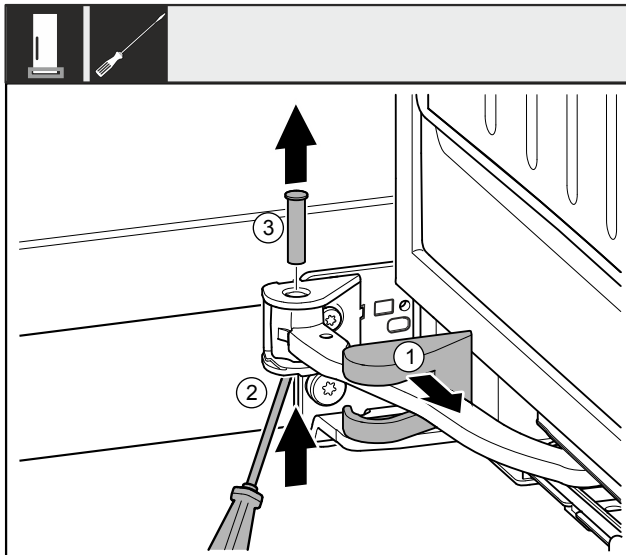


Fig. 9

- ▶ Remove the swap bearing block cover Fig. 9 (1) and slide along the joint.
- ▶ Use a screwdriver to lift the bolt Fig. 9 (2) from below.
- ▶ Pull out the bolt Fig. 9 (3) from above.

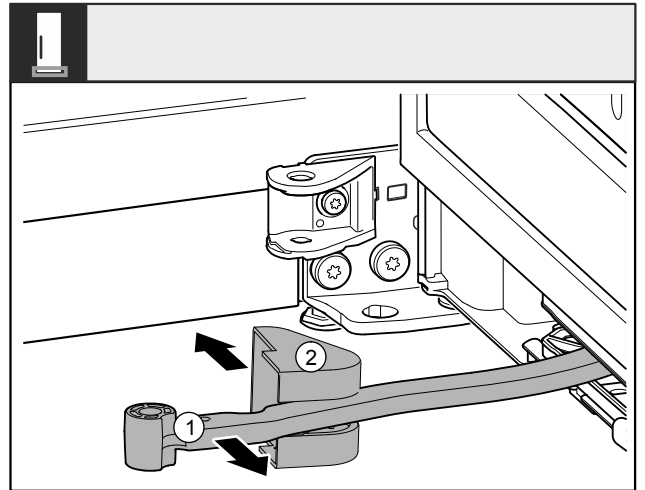


Fig. 10

- ▶ Turn the joint Fig. 10 (1) towards the door.
- ▶ Remove the swap bearing block cover Fig. 10 (2).

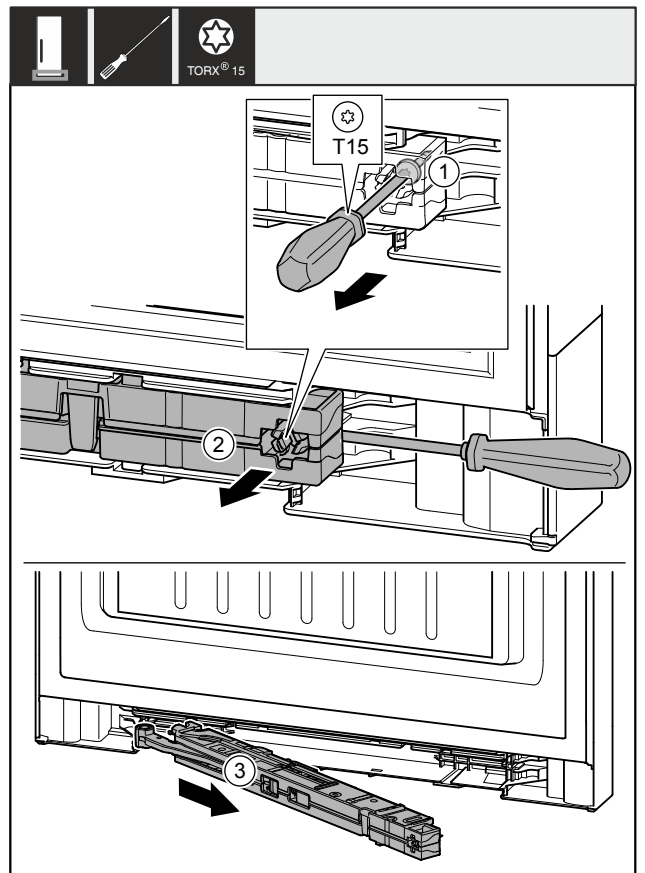


Fig. 11

- ▶ Use screwdriver to loosen the screw Fig. 11 (1) on the closing damper unit by approx. 14 mm.
- ▶ Lever the closing damper unit Fig. 11 (2) forwards on the handle side using a screwdriver.
- ▶ Pull out the closing damper unit Fig. 11 (3).

With 700 mm and 750 mm wide appliances, remove the adapter piece.\*



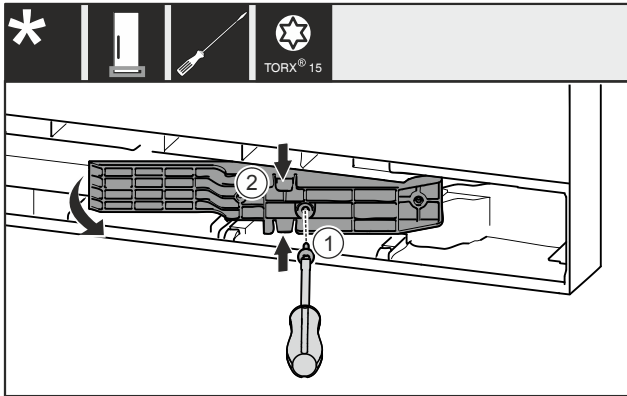


Fig. 12 \*

- ▶ Remove the screw Fig. 12 (1)\*
- ▶ Gently press the adapter piece Fig. 12 (2) together at the top and bottom and pull it out.\*

## 11.2 Removing covers\*

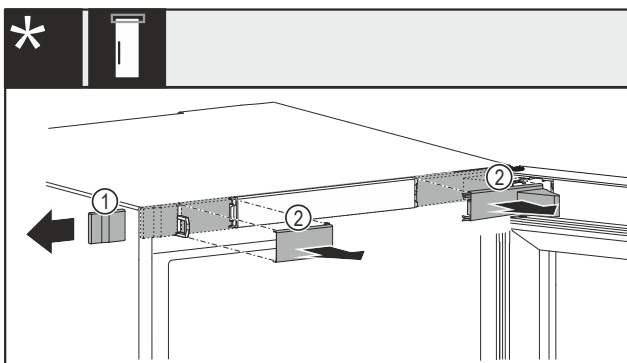


Fig. 13 With mechanical or electric lock\*

- ▶ Carefully remove the cover Fig. 13 (1) from the side.\*
- ▶ Carefully remove the covers Fig. 13 (2) towards the front.\*

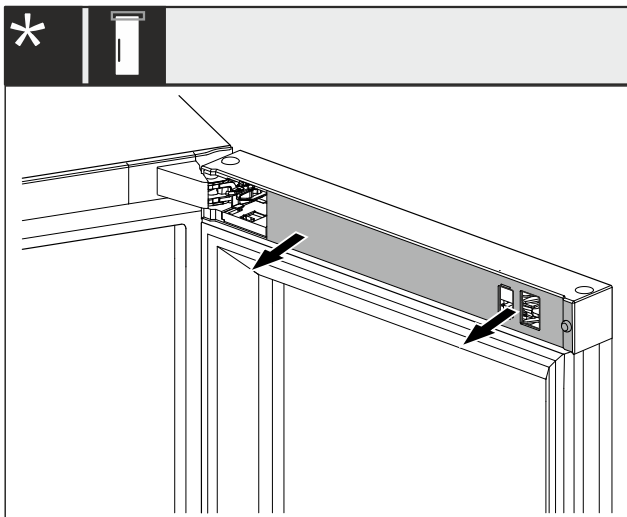


Fig. 14 With electric lock\*

- ▶ Grip the cover at the openings and disengage.\*

## 11.3 Switch door magnet

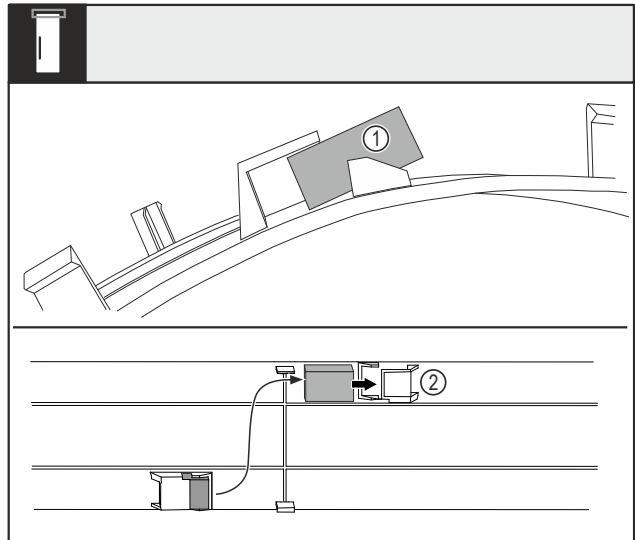


Fig. 15

- ▶ Bend the cover and pull the door magnet Fig. 15 (1) out of the retaining clip.
- ▶ Insert the door magnet into the other retaining clip Fig. 15 (2).

## 11.4 Loosening the cable connection

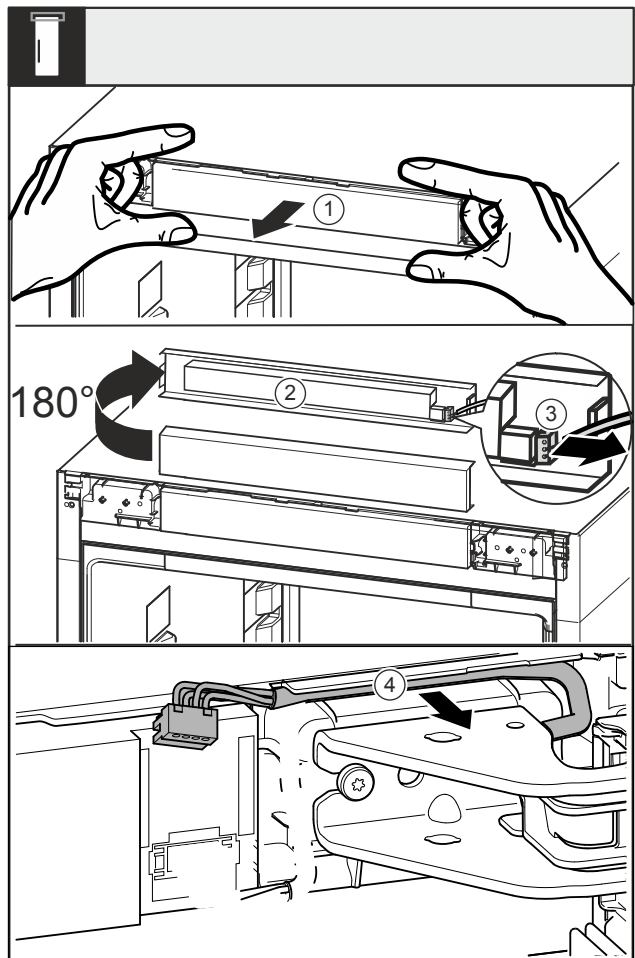


Fig. 16

- ▶ Loosen the trim Fig. 16 (1) towards the front.
- ▶ Turn the trim Fig. 16 (2) upwards by 180°.
- ▶ Push the locking tab on the plug Fig. 16 (3) backwards and remove the plug carefully.

# Swapping the door hinge side

- ▶ Release the cable over the swap bearing block Fig. 16 (4) from the guide.

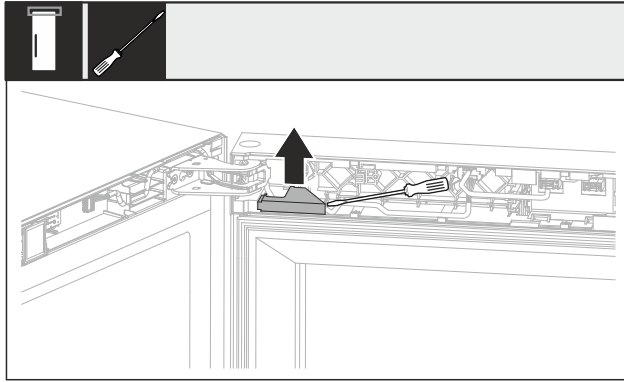


Fig. 17

- ▶ Use a slotted screwdriver to lift the cable cover and pull it out.

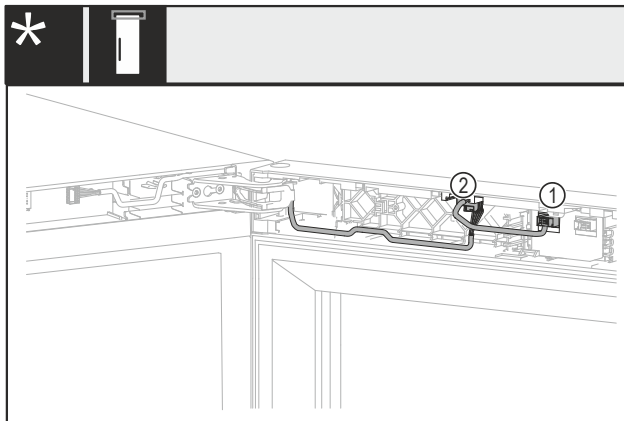


Fig. 18 Without lock or with mechanical lock\*

- ▶ Pull out the plug Fig. 18 (1)\*
- ▶ Pull out the plug Fig. 18 (2)\*

## 11.5 Removing the door

### NOTICE

Risk of damage!

If the door seal is damaged, the door may fail to close properly and the cooling will be inadequate.

- ▶ Do not damage the door seal with the screwdriver!



### CAUTION

Risk of injury if the door tips!

- ▶ Take good hold of the door.
- ▶ Set down the door carefully.

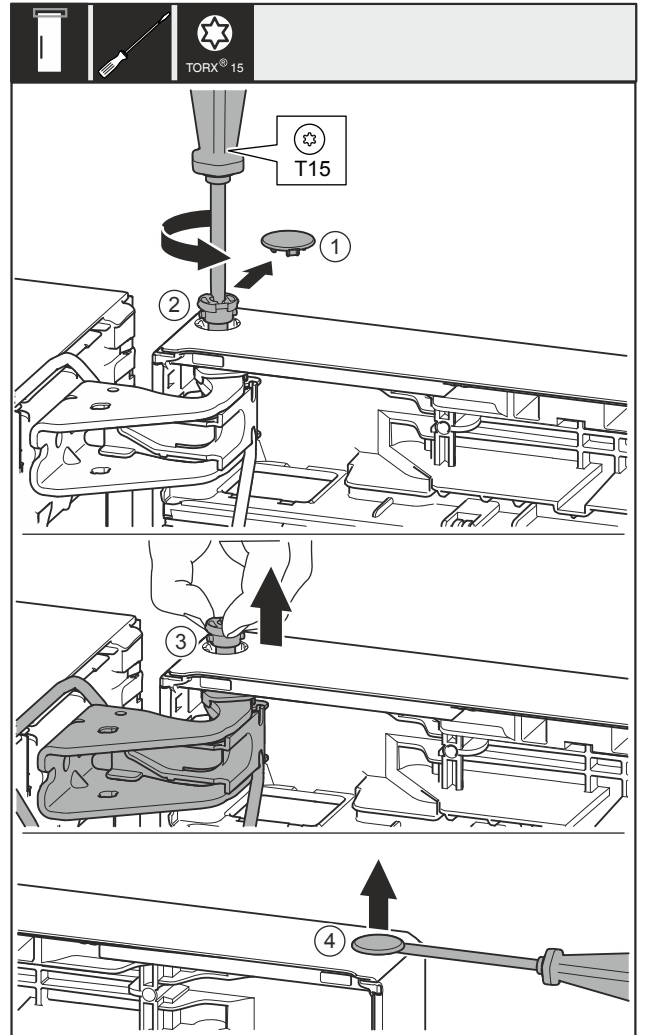


Fig. 19

- ▶ Lift the door and put it to one side.

## 11.6 Re-locating the remote lock\*

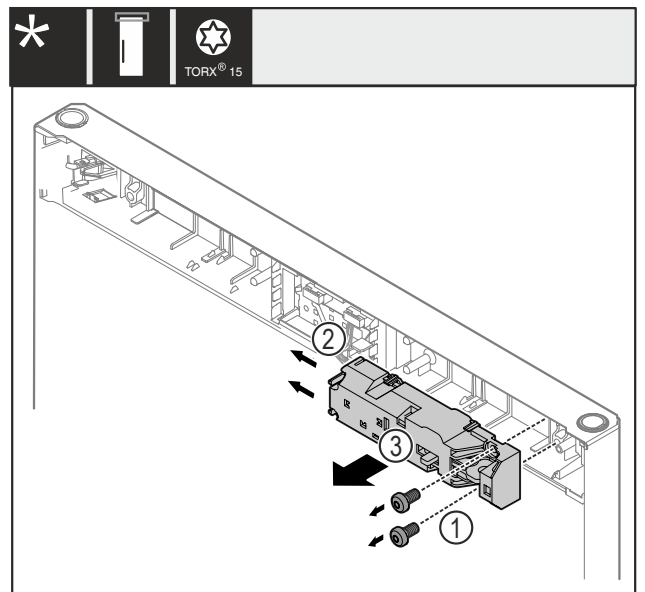


Fig. 20

- ▶ Remove the screws Fig. 20 (1).
- ▶ Push the latching tabs Fig. 20 (2) to the side and remove the remote lock Fig. 20 (3).

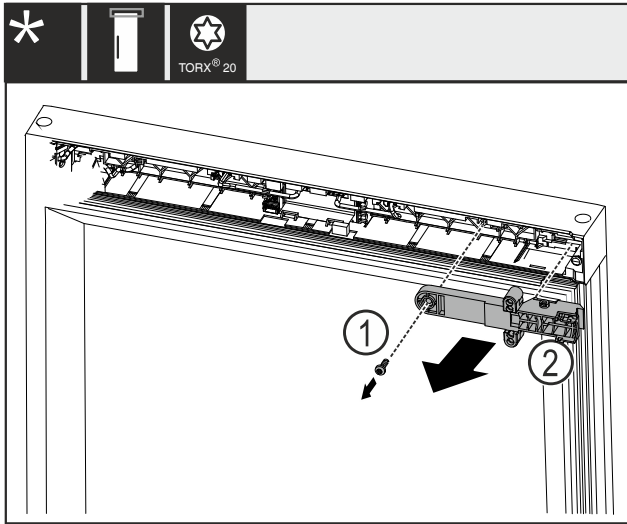


Fig. 21

- ▶ Remove the screw Fig. 21 (1).
- ▶ Remove the lock retainer Fig. 21 (2).

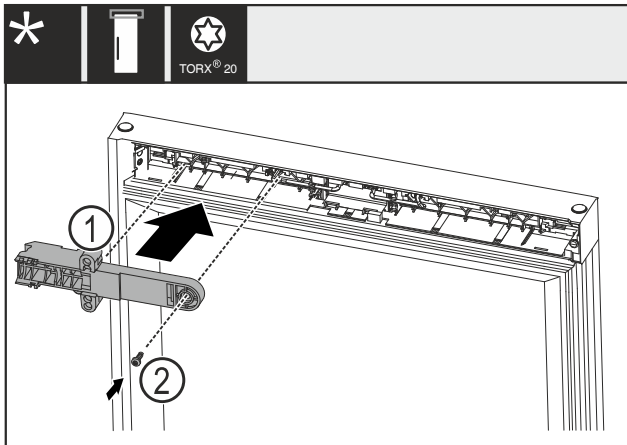


Fig. 22

- ▶ Turn the lock holder Fig. 22 (1) by 180° and attach on the opposite side.
- ▶ Fasten the lock retainer Fig. 22 (1) with a screw Fig. 22 (2).

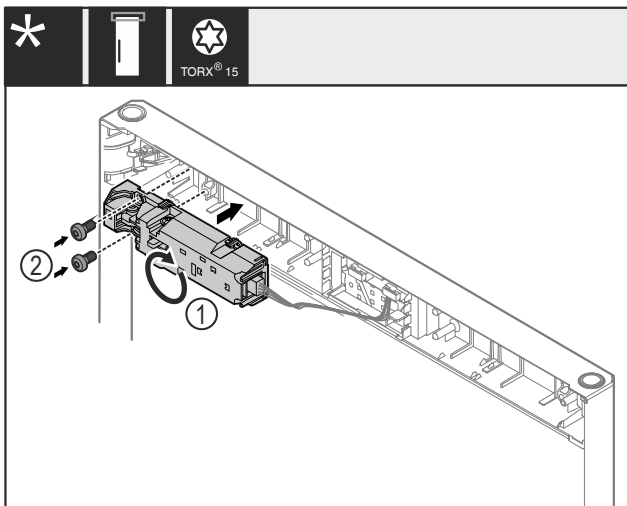


Fig. 23

- ▶ Turn the remote lock Fig. 23 (1) by 180° and attach on the opposite side.
- ▶ Fasten the remote lock Fig. 23 (1) with screws Fig. 23 (2).

## 11.7 Relocating the upper bearing components



### WARNING

Danger of injury due to door falling out!

If the bearing parts are not screwed on tightly enough, the door may fall out. This can result in serious injuries. In addition, the door may not close with the result that the appliance does not cool properly.

- ▶ Screw on the bearing brackets/bearing pins tightly with 4 Nm.
- ▶ Check all screws and retighten them if necessary.

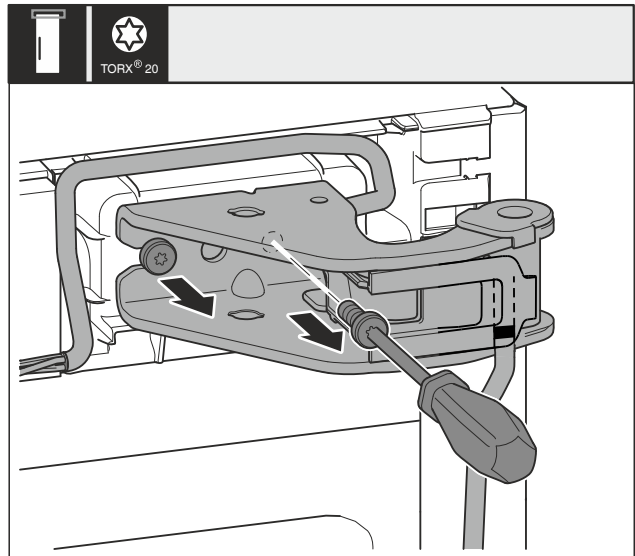


Fig. 24

- ▶ Use screwdriver to unscrew both screws.
- ▶ Lift and remove the swap bearing block and the cable.

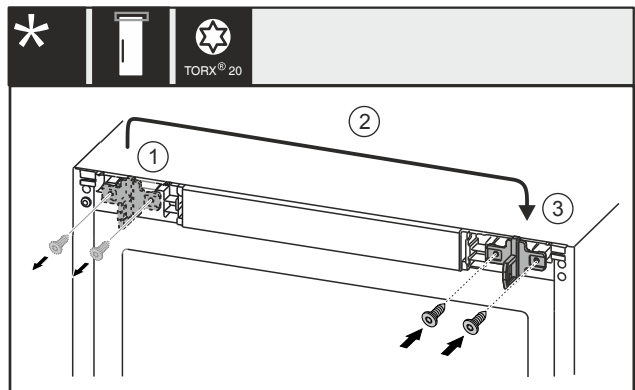


Fig. 25 With electric lock\*

- ▶ Use screwdriver to unscrew the screws Fig. 25 (1)\*
- ▶ Move the locking hook Fig. 25 (2) to the opposite side.\*
- ▶ Use screwdriver to place the screws Fig. 25 (3) and tighten them.\*

# Swapping the door hinge side

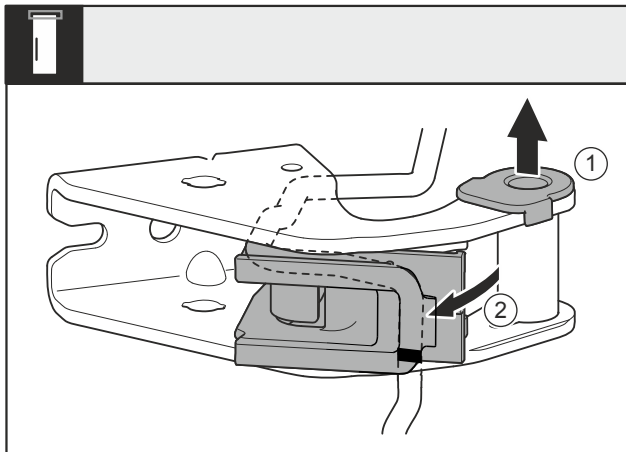


Fig. 26

- ▶ Pull the bearing bush Fig. 26 (1) out of the guide.
- ▶ Swivel the cable holder Fig. 26 (2) out.

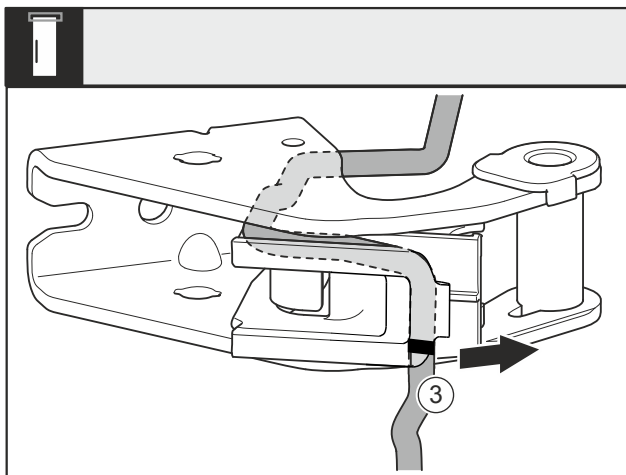


Fig. 27

- ▶ Remove the cable with the cable holder Fig. 27 (3) from the swap bearing block.

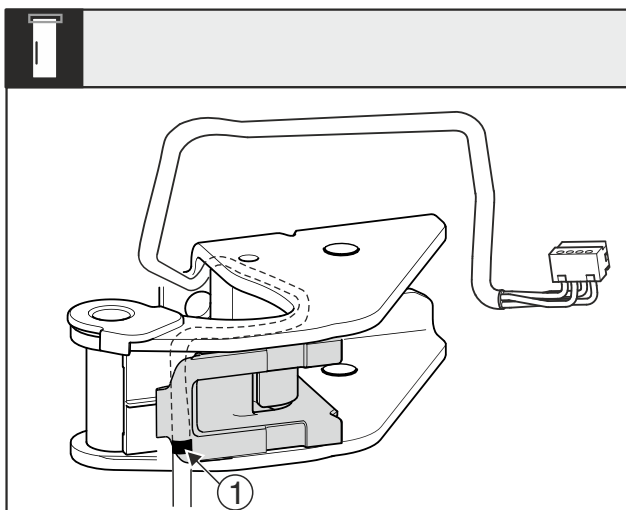


Fig. 28

- ▶ Insert the cable into the top groove in the cable holder inversely.
- ▷ Place the middle marking Fig. 28 (1) on the edge of the cable holder.
- ▶ Swivel the cable holder in.

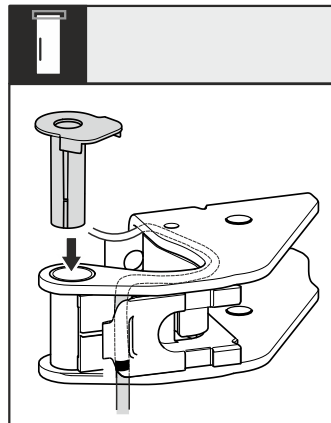


Fig. 29

- ▶ Insert the bearing bush from the other side and engage.

### NOTICE

Risk of crushing the cable!

- ▶ Pay attention to the markings when laying cables. The end of the cable with the double marking must be laid in the door end section.

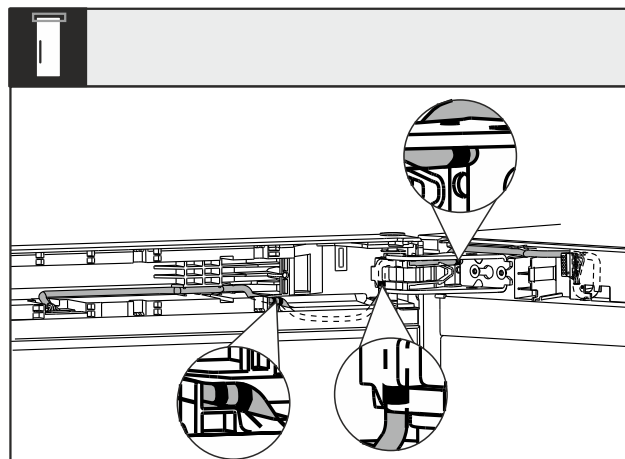


Fig. 30

After relocating, the cables must be laid as shown in the illustration.

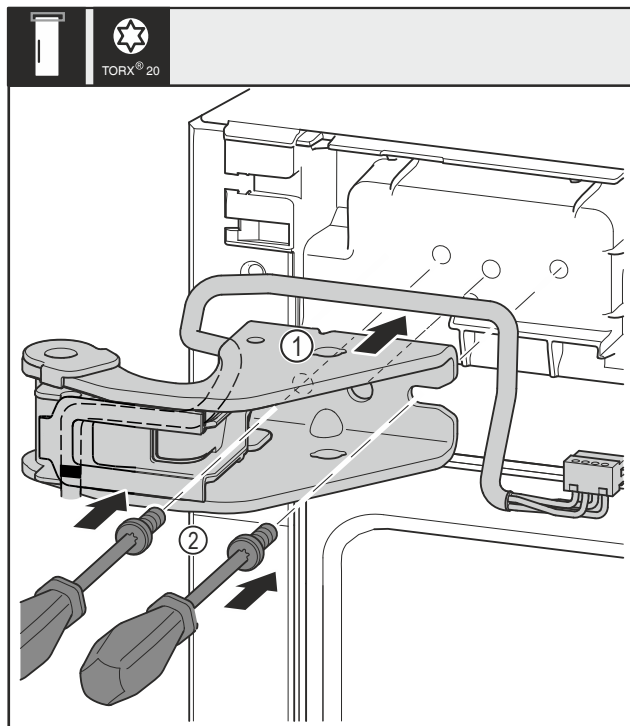


Fig. 31

- ▶ Place the top swap bearing block Fig. 31 (1).
- ▶ Use screwdriver to insert the screws Fig. 31 (2) and tighten them.

## 11.8 Relocating the bottom bearing components



### WARNING

Danger of injury due to door falling out!  
If the bearing parts are not screwed on tightly enough, the door may fall out. This can result in serious injuries. In addition, the door may not close with the result that the appliance does not cool properly.

- ▶ Screw on the bearing brackets/bearing pins tightly with 4 Nm.
- ▶ Check all screws and retighten them if necessary.

**For appliances with closing dampers:\***

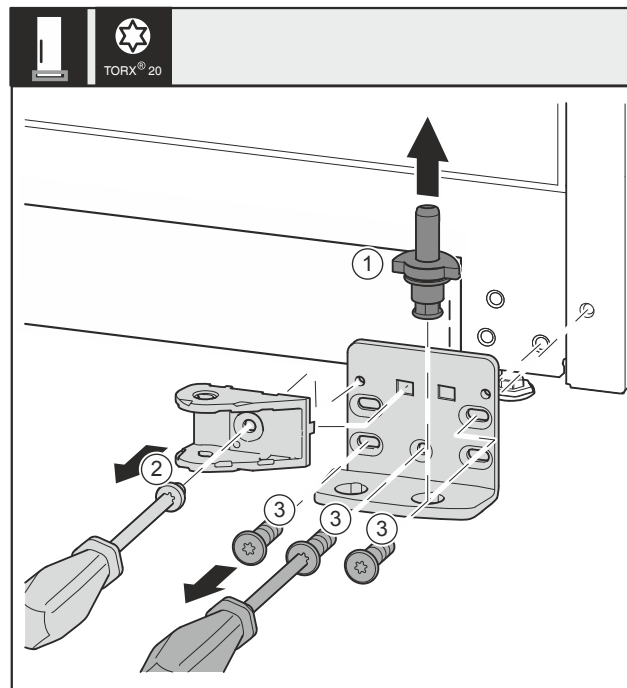


Fig. 32 \*

- ▶ Pull the bearing bolt Fig. 32 (1) out upwards completely.\*
- ▶ Use screwdriver to unscrew the screw Fig. 32 (2) and remove the closing damper connection.\*
- ▶ Use screwdriver to unscrew the screws Fig. 32 (3) and remove the swap bearing block.\*

**For appliances without closing dampers:\***

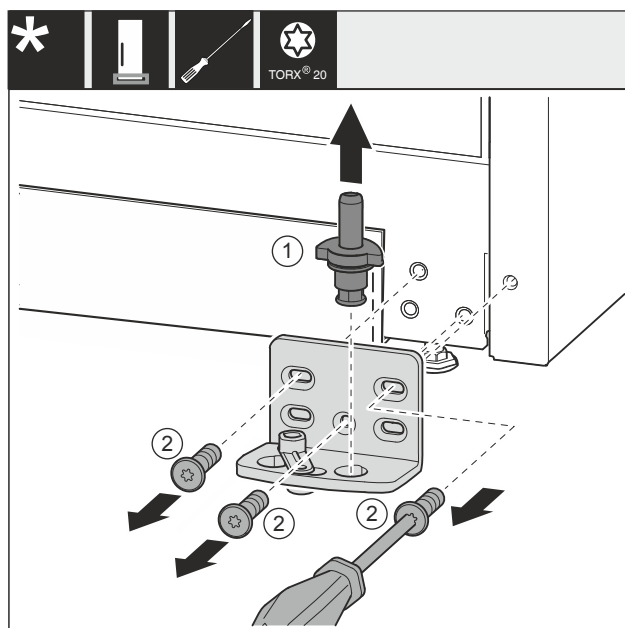


Fig. 33 \*

- ▶ Pull the bearing bolt Fig. 33 (1) out upwards completely.\*
- ▶ Use screwdriver to unscrew the screws Fig. 33 (2) and remove the swap bearing block.\*

# Swapping the door hinge side

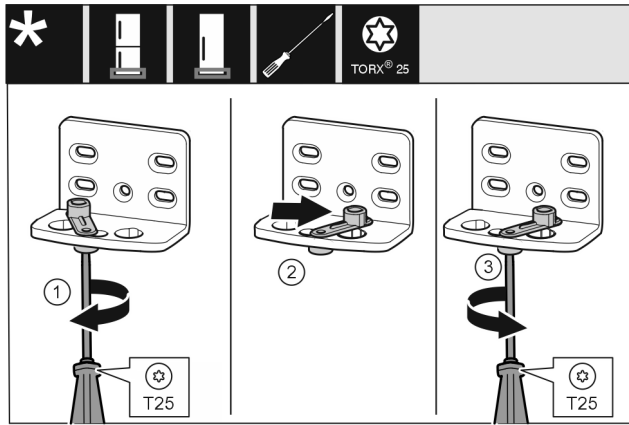


Fig. 34

- ▶ Use screwdriver to loosen the screw (1).\*
- ▶ Lift the door closing aid (2) and turn 90° clockwise in the hole.\*
- ▶ Tighten screw (3) with screwdriver.\*

**For all appliances:**

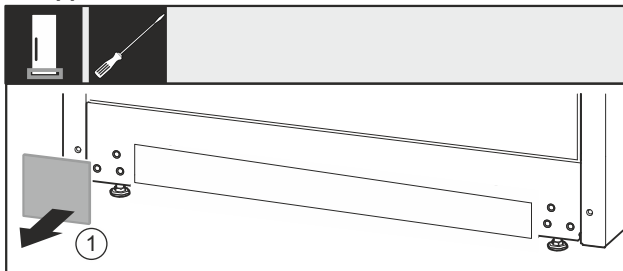


Fig. 35

- ▶ Remove cover Fig. 35 (1).

**For appliances with closing dampers:\***

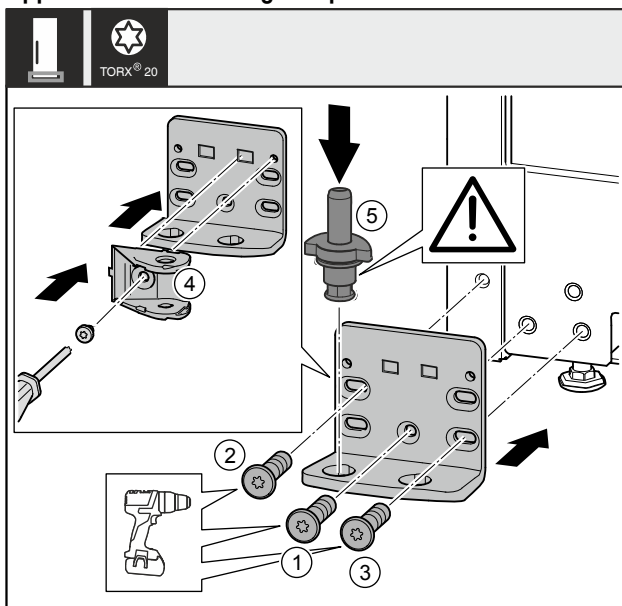


Fig. 36 \*

- ▶ Place the swap bearing block on the other side and use a screwdriver to screw it on. Start with screw Fig. 36 (1) at the bottom in the middle.\*
- ▶ Tighten screw Fig. 36 (2) and screw Fig. 36 (3).\*
- ▶ Turn the closing damper connection Fig. 36 (4) by 180°. Use screwdriver to screw it onto the other side of the swap bearing block.\*
- ▶ Insert the bearing bolt Fig. 36 (5) completely. Ensure that the latching cam is pointing towards the rear.\*

**For appliances without closing dampers:\***

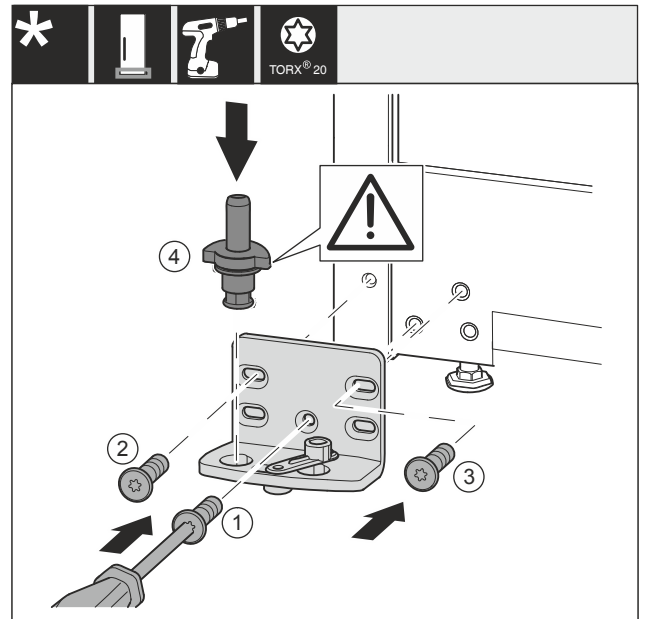


Fig. 37 \*

- ▶ Place the swap bearing block on the other side and use a screwdriver to screw it on. Start with the Fig. 37 (1) bottom middle.\*
- ▶ Tighten screw Fig. 37 (2) and Fig. 37 (3).\*
- ▶ Insert the bearing bolt Fig. 37 (4) completely. Ensure that the latching cam is pointing towards the rear.\*

**For all appliances:**

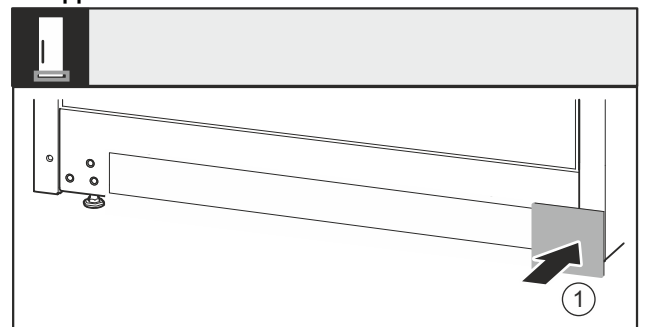


Fig. 38

- ▶ Re-attach the cover Fig. 38 (1) to the other side.

## 11.9 Relocating the door bearing parts

**For appliances without closing dampers:**



### WARNING

Danger of injury due to door falling out!\*

If the bearing parts are not screwed on tightly enough, the door may fall out. This can result in serious injuries. In addition, the appliance does not close with the result that the appliance does not cool properly.

- ▶ Screw on the bearing brackets/bearing pins tightly with 4 Nm.
- ▶ Check all screws and retighten them if necessary.

**Door at the bottom\***

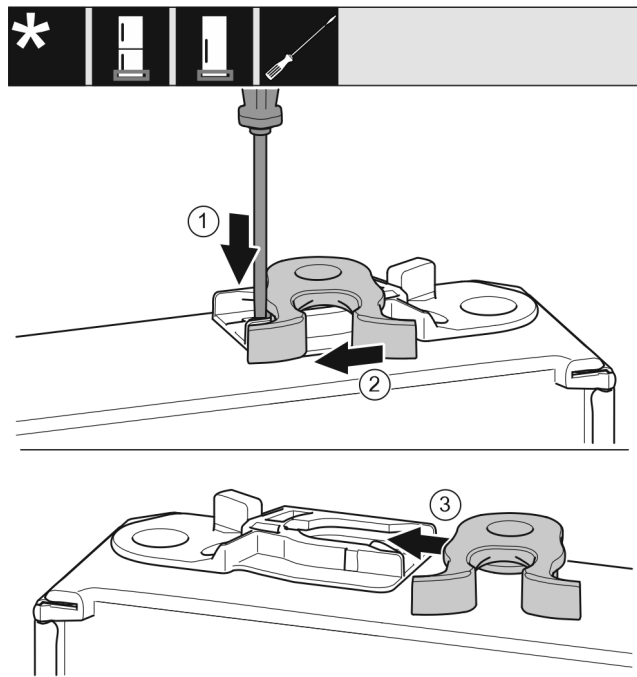


Fig. 39 \*

- ▶ The bottom of the door is pointing upwards: Turn the door.\*
- ▶ Use a slotted screwdriver to push the tab Fig. 39 (1) downwards.\*
- ▶ Pull the closing hook Fig. 39 (2) out of the guide.\*
- ▶ Insert the closing hook Fig. 39 (3) into the guide on the other side.\*

## 11.10 Relocating the handles\*

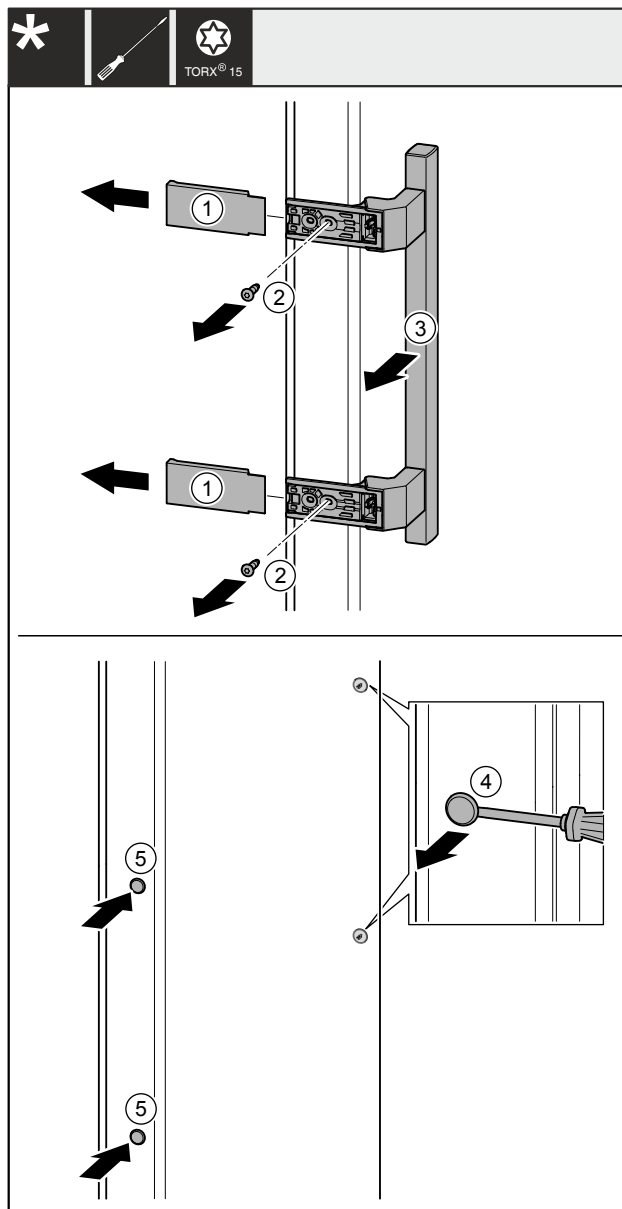


Fig. 40

- ▶ Remove the covers Fig. 40 (1).
- ▶ Unscrew screws Fig. 40 (2) with screwdriver.
- ▶ Remove the handle Fig. 40 (3).
- ▶ Use a slotted screwdriver to lift the side plug Fig. 40 (4) carefully and pull it out.
- ▶ Re-insert the plug Fig. 40 (5) on the other side.

# Swapping the door hinge side

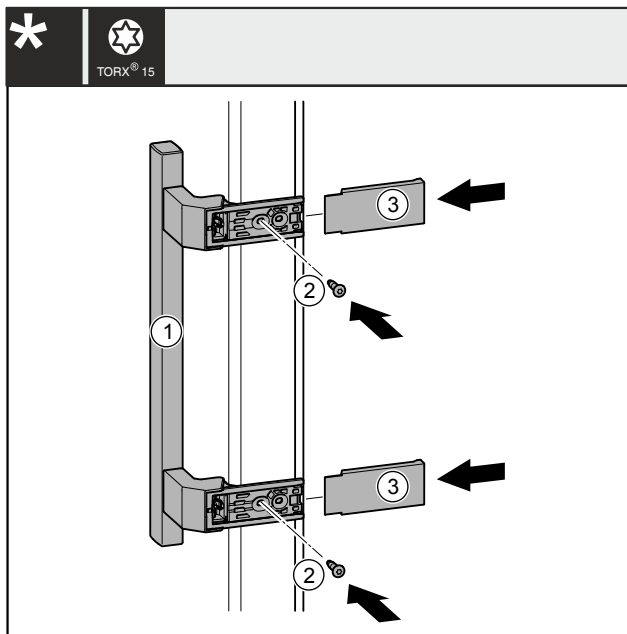


Fig. 41

- ▶ Place the handle Fig. 41 (1) on the opposite side.
- ▷ The screw holes must be exactly on top of each other.
- ▶ Tighten screws Fig. 41 (2) with screwdriver.
- ▶ Position the covers Fig. 41 (3) on the side and slide them on so that they click into place.
- ▷ Covers are fitted.

## 11.11 Fitting the bottom door

For appliances with closing dampers:\*

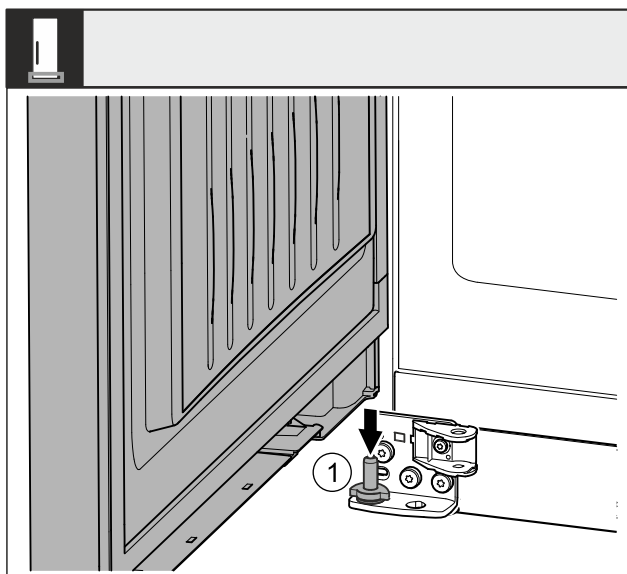


Fig. 42 \*

- ▶ Lower the door onto the bottom bearing bolt Fig. 42 (1).\*

For appliances without closing dampers:\*

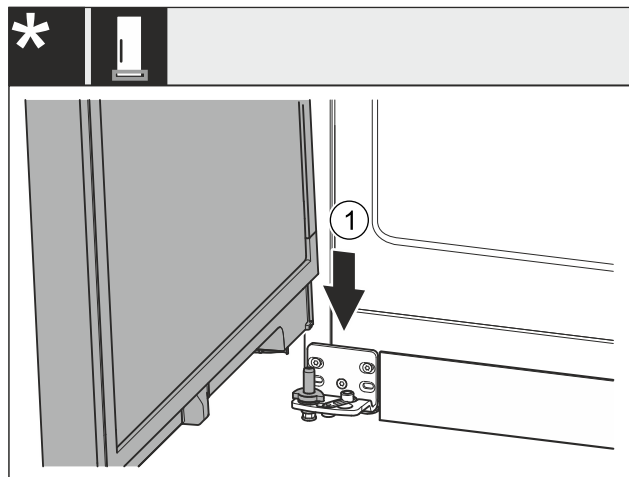


Fig. 43 \*

- ▶ Lower the door onto the bottom bearing bolt Fig. 43 (1).\*

## 11.12 Fitting the top door

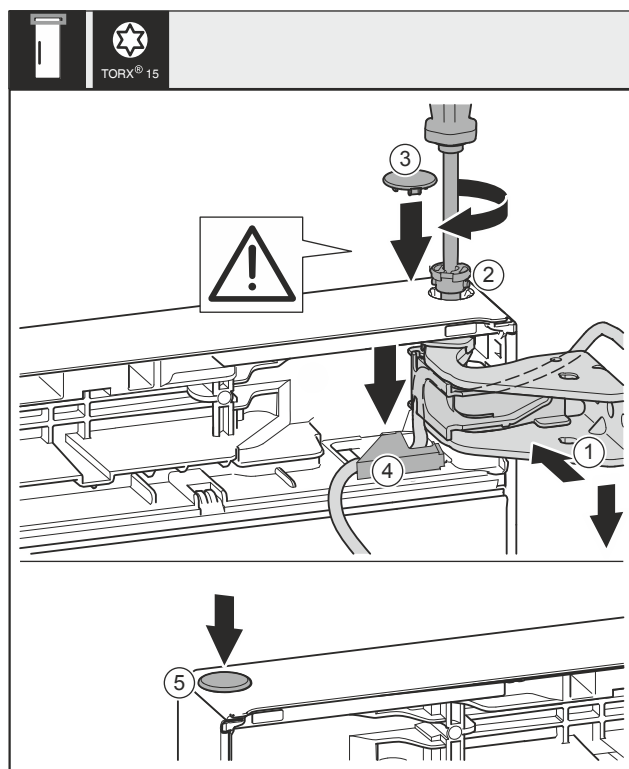


Fig. 44

- ▶ Align the top door with the opening in the swap bearing block Fig. 44 (1).
- ▶ Insert the bolt Fig. 44 (2) and use screwdriver to tighten it.
- ▶ Fit the safety cover to secure the door: Insert the safety cover Fig. 44 (3) and check whether the door is resting on it. Otherwise, insert the bolt fully.

### NOTICE

Cable crushing!

- ▶ The markings on the cable must be in the middle of the holder. The tab with the longer opening must point forwards.

- ▶ Insert the cover Fig. 44 (4) and push down until it engages.

- ▶ Insert the plug Fig. 44 (5).



## 11.13 Fitting the cable connection

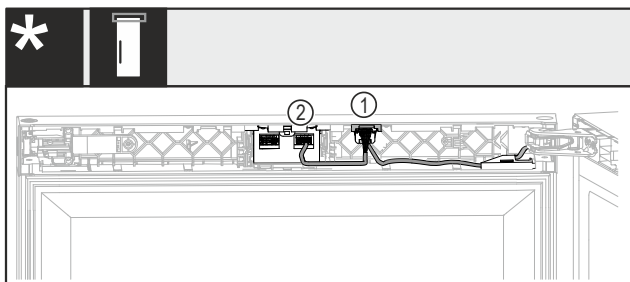


Fig. 45 Without lock or with mechanical lock\*

- ▶ Insert the plug with both cables Fig. 45 (1) into the guide.\*
- ▶ Engage the plug with a cable Fig. 45 (2) in the right-hand retaining clip.\*

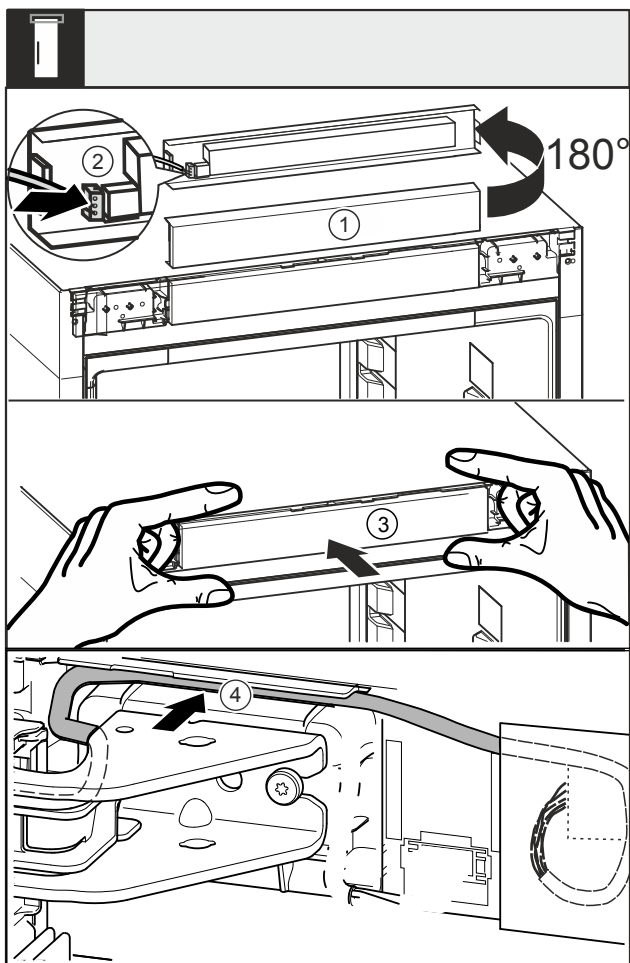


Fig. 46

- ▶ Turn the trim Fig. 46 (1) up by 180°.
- ▶ Engage the plug Fig. 46 (2) on the control panel trim.
- ▶ Re-engage the trim Fig. 46 (3) on the appliance.
- ▶ Lay the cable carefully in the guide Fig. 46 (4) above the top swap bearing block.
- ▶ Lay the remaining cable length as a loop if necessary.

## 11.14 Aligning the door



### WARNING

Danger of injury due to door falling out!

If the bearing parts are not screwed on tightly enough, the door may fall out. This can result in serious injuries. In addition, the door may not close with the result that the appliance does not cool properly.

- ▶ Screw the bearing brackets on firmly with 4 Nm.
- ▶ Check all screws and retighten them if necessary.

- ▶ Align the door flush with the appliance housing via the two slotted holes in the swap bearing block if necessary. To do this, use the enclosed T20 tool to unscrew the middle screw in the bottom swap bearing block. Use the T20 tool or a T20 screwdriver to loosen the remaining screws lightly and align via the slotted holes.
- ▶ Supporting the door: Use a size 10 open-ended spanner to unscrew the adjustable foot on the swap bearing block until it touches the floor, then turn by a further 90°.

## 11.15 Attaching the covers

For devices with a lock:\*

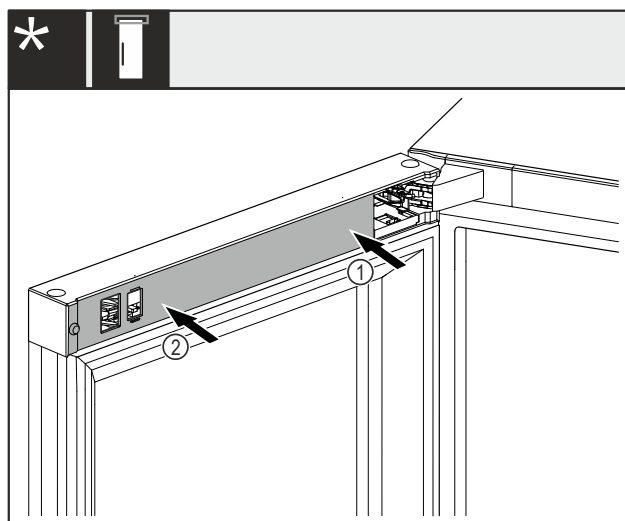


Fig. 47 \*

The door is opened by 90°.\*

- ▶ Place the cover Fig. 47 (1) on the bearing bracket side first and snap into place.\*
- ▶ Fit the cover Fig. 47 (2) on the outside and snap into place.\*

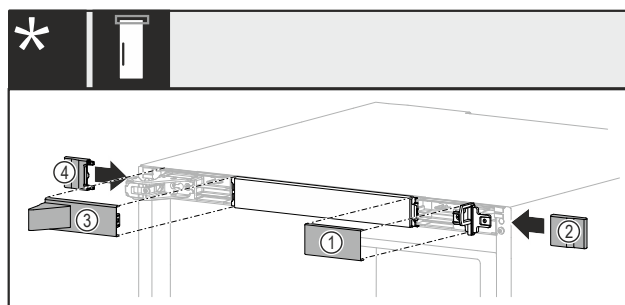


Fig. 48 \*

- ▶ Fit the covers in the order shown.\*

For devices without a lock:\*

# Swapping the door hinge side

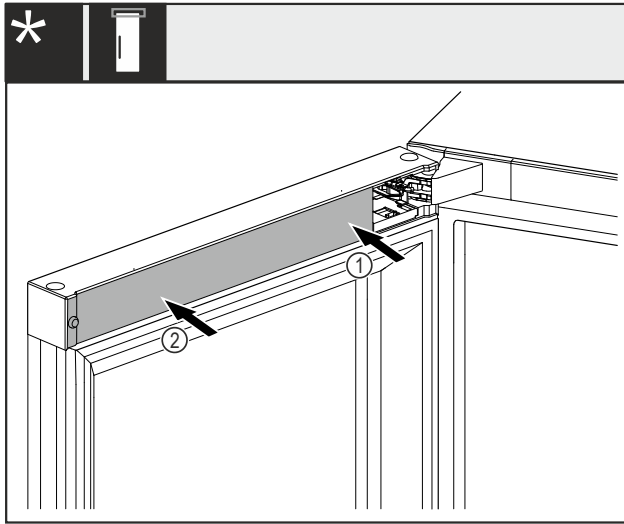


Fig. 49 \*

The door is opened by 90°.\*

- ▶ Place the cover Fig. 49 (1) on the bearing bracket side first and snap into place.\*
- ▶ Fit the cover Fig. 49 (2) on the outside and snap into place.\*

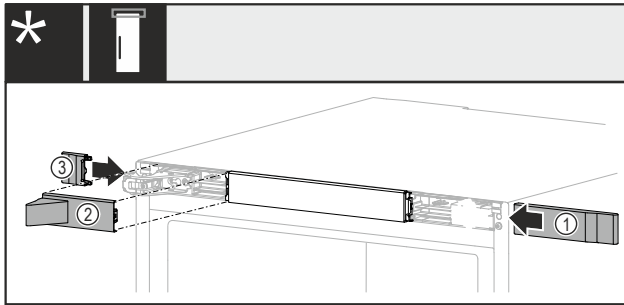


Fig. 50 \*

- ▶ Fit the covers in the order shown.\*

## 11.16 Fitting the closing damper\*

With 700 mm and 750 mm wide appliances, fit the adapter piece.\*

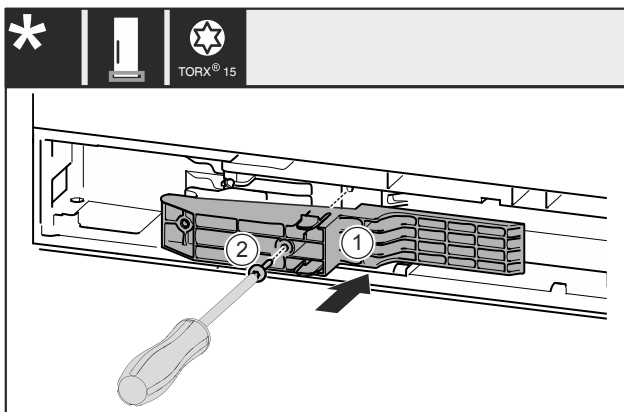


Fig. 51 \*

- ▶ Insert adapter Fig. 51 (1) in the recess on the handle side.\*
- ▶ Tighten screw Fig. 51 (2) with screwdriver.\*

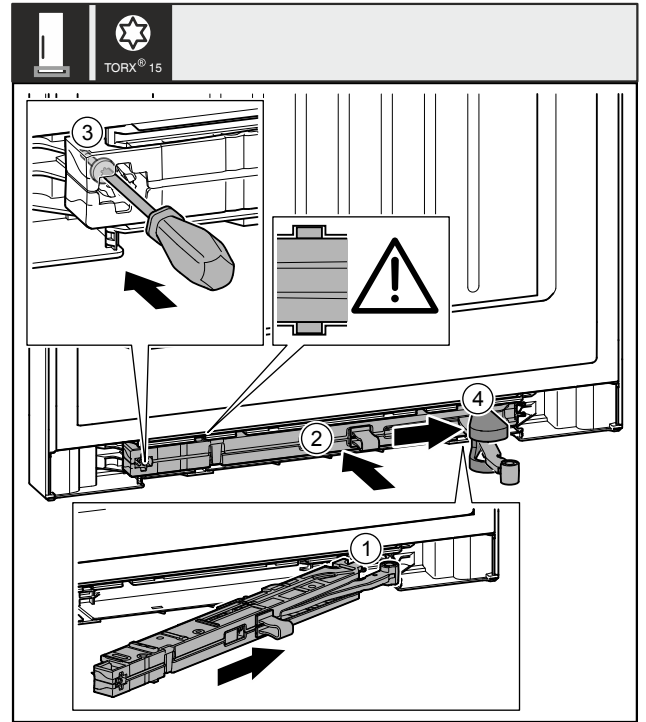


Fig. 52

- ▶ On the swap bearing block side, slide the closing damper unit Fig. 52 (1) into the recess at an angle up to the stop.
- ▶ Push the closing damper unit Fig. 52 (2) into the recess completely.
- ▷ The unit is positioned correctly if the closing damper unit's rib is in the guide.
- ▶ Use a screwdriver to tighten the screw Fig. 52 (3).
- ▶ Push the cover Fig. 52 (4) over the joint.

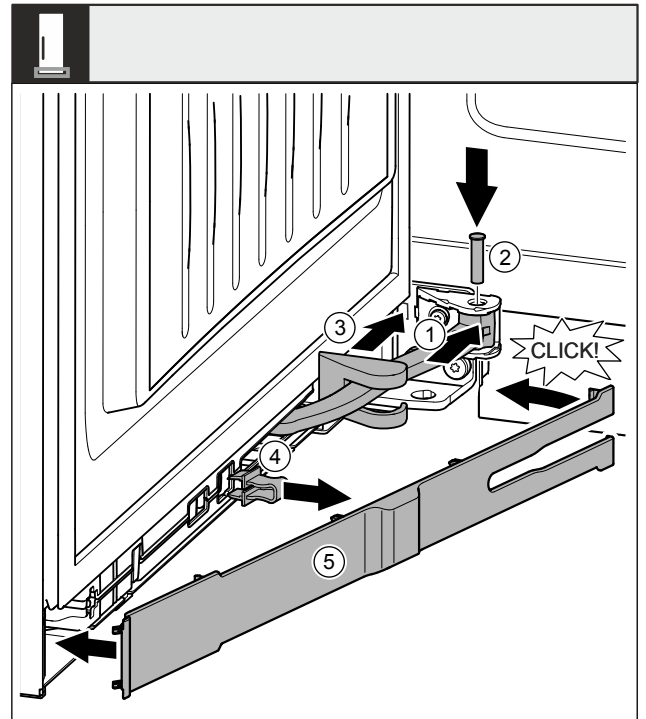


Fig. 53

- ▶ The door is opened by 90°.
- ▶ Turn the joint Fig. 53 (1) in the attachment.
- ▶ Use a screwdriver to insert the bolt Fig. 53 (2) into the attachment and the joint. Ensure that the latching cam is in the groove properly.
- ▶ Push the swap bearing block cover Fig. 53 (3) along the joint and use the attachment to fit it.
- ▶ Remove the safeguard Fig. 53 (4).

# Connecting the appliance to the power supply

- ▶ Place the trim *Fig. 53 (5)* on the handle side and swing in.
- ▷ The trim is engaged.
- ▶ Close the door.

- ▶ Connect the mains plug of the power cable to the power supply.
- ▷ The standby symbol appears in the display.
- ▷ If no action occurs within 60 seconds: The standby symbol fades or disappears.
- ▷ The appliance is connected. For information regarding first use, see the following section or the operating instructions.

## 12 Connecting the appliance to the power supply



### WARNING

Danger of electric shock and injury due to damaged appliance or damaged mains cable!

Danger of cuts and fatal injuries. If the appliance or the mains cable is damaged during transport, you may be electrocuted. You could also cut yourself on damaged parts of the appliance housing.

- ▶ Check the appliance and the mains cable for damage after transport.
- ▶ Never put the appliance into operation if the appliance or the mains cable are damaged.
- ▶ Contact Customer Service.

You can connect your appliance to the mains using the power cable supplied separately. The mains power cable has an appliance coupler at one end and a mains plug at the other end.

Make sure that the following requirements are fulfilled:

- The appliance and power cable are undamaged.
- The appliance is set up in accordance with the regulations. (see 6 Mounting wall spacers)
- Requirements for the electrical connection are met. (see 2 Installation conditions)
- Dimensions for connection in accordance with regulations are known and observed.
- Mains voltage and frequency correspond to the specifications on the type plate.
- The socket is earthed according to the regulations and fused.
- The fuse tripping current is between 10 A and 16 A.
- The socket is easily accessible and is not behind the appliance.

### NOTICE

Danger of damage to incorrect operation!

Damage to the electrical components of the appliance.

- ▶ Only use the supplied mains cable.



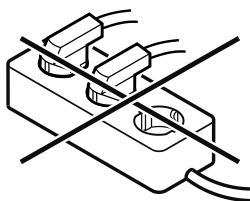
### WARNING

Danger of fire due to incorrect connection!

Burns.

Damage to the appliance.

- ▶ Do not use an extension cable.
- ▶ Do not use distributor blocks.



### NOTICE

Danger of damage to incorrect connection!

Damage to the appliance.

- ▶ Do not connect the appliance to a stand-alone inverter, e.g. solar power systems and petrol generators.



[home.liebherr.com/fridge-manuals](https://home.liebherr.com/fridge-manuals)

**EN** wine storage

Issue date: 20241122

**Part number index: 7083548-00**

Liebherr-Hausgeräte Marica EOOD  
Bezirk Plovdiv  
4202 Radinovo  
Bulgarien