



Installation Guide

Quality, Design and Innovation



home.liebherr.com/fridge-manuals





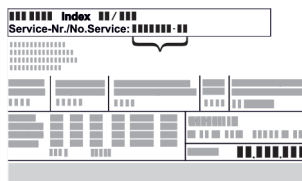




LIEBHERR

General safety instructions

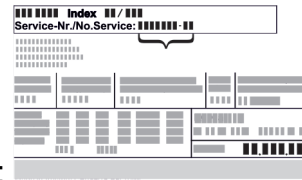
Contents

1	General safety instructions.....	2
2	Installation dimensions.....	3
3	Transporting appliance.....	4
4	Transporting the appliance.....	4
5	Unpacking the appliance.....	4
6	Mosquito screens.....	4
6.1	Installing the mosquito screen.....	4
6.2	Removing the mosquito screen.....	5
7	Disposing of packaging.....	5
8	Side by side assembly.....	5

The manufacturer is continually working on the further development of all types and models. Please be aware that we reserve the right to make changes to the shape, equipment and technology.




Symbol	Explanation
	<p>Read instructions</p> <p>Please read the information in these instructions carefully to understand all of the benefits of your new appliance.</p>
	<p>Additional information on the Internet</p> <p>The digital manual with additional information can be found via the QR code on the front of the manual or by entering the service number at home.liebherr.com/fridge-manuals.</p> <p>The service number can be found on the serial tag:</p>  <p style="text-align: center;"><i>Fig. Example illustration</i></p>
	<p>Check appliance</p> <p>Check all parts for transport damage. If you have any complaints, please contact your agent or customer service.</p>
	<p>Differences</p> <p>These instructions apply to a range of models, so differences are possible. Sections that apply to certain models only are marked with an asterisk (*).</p>
	<p>Instructions and results</p> <p>Instructions are marked with a ▶.</p> <p>Results are marked with a ▷.</p>
	<p>Videos</p> <p>Videos about the appliances are available on the YouTube channels of Liebherr-Hausgeräte.</p>

- If you pass the appliance on, please hand this assembly manual to the next user.
- Read this assembly manual carefully before installation and use to ensure safe and correct use of the appliance. Follow the instructions, safety instructions and warning messages included at all times. They are important for ensuring you can operate and install the appliance safely and without any problems.
- First read the general safety instructions in the “General safety instructions” section of the **operating instructions**, which accompany these installation instructions, and follow them. If you cannot find the **operating instructions**, you can download the **operating instructions** from the internet by entering the service number at home.liebherr.com/fridge-manuals. The service number can be found on the serial



tag:

- **Observe the warning messages and other detailed information in the other sections when installing the appliance:**

	DANGER	identifies a situation involving direct danger which, if not obviated, may result in death or severe bodily injury.
	WARNING	identifies a dangerous situation which, if not obviated, may result in death or severe bodily injury.
	CAUTION	identifies a dangerous situation which, if not obviated, may result in minor or medium bodily injury.
	NOTICE	identifies a dangerous situation which, if not obviated, may result in damage to property.
	Note	identifies useful instructions and tips.

1 General safety instructions

- Please keep this assembly manual in a safe place so you can refer back to it at any time.

2 Installation dimensions

Fig. 2 Example illustration

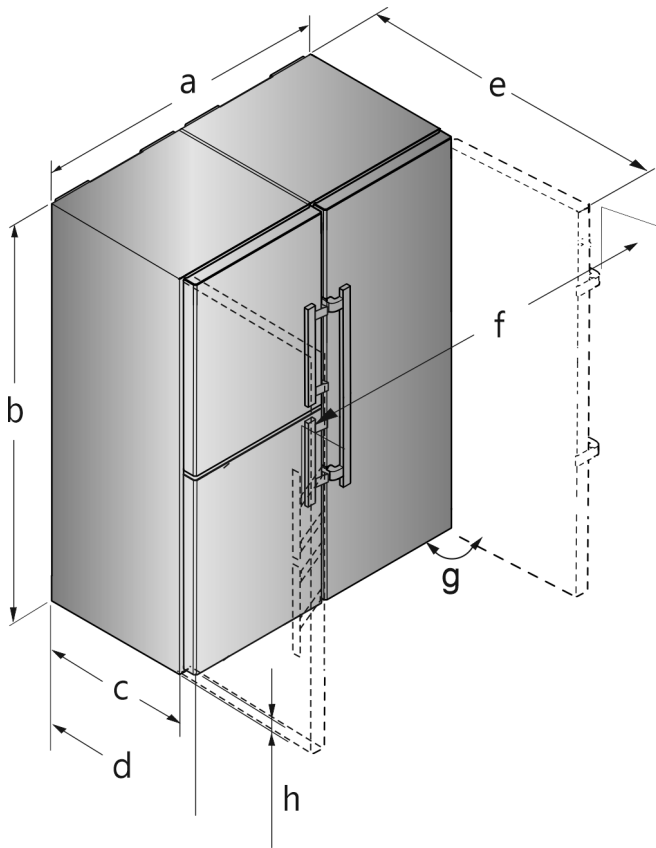


Fig. 1 Example illustration

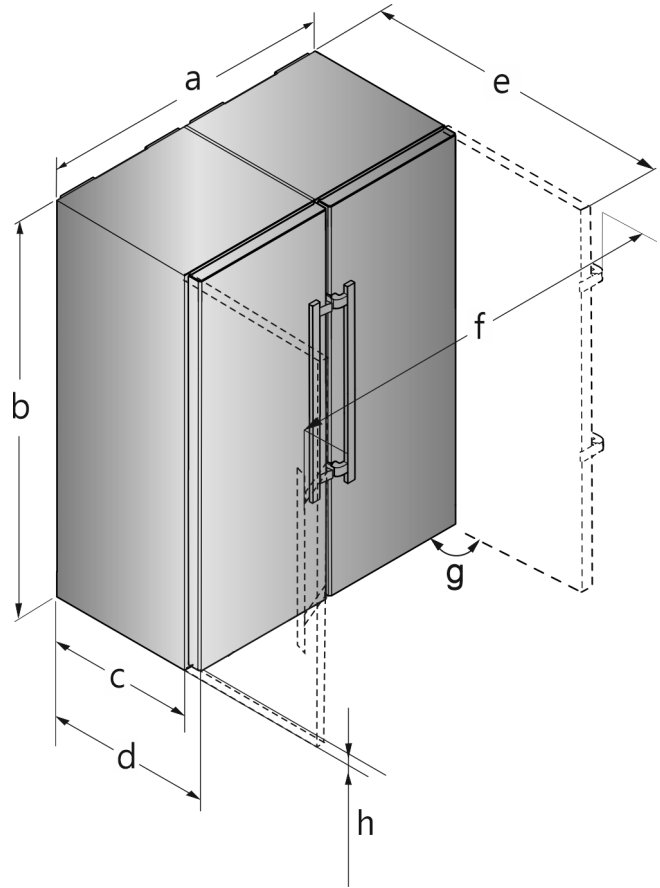
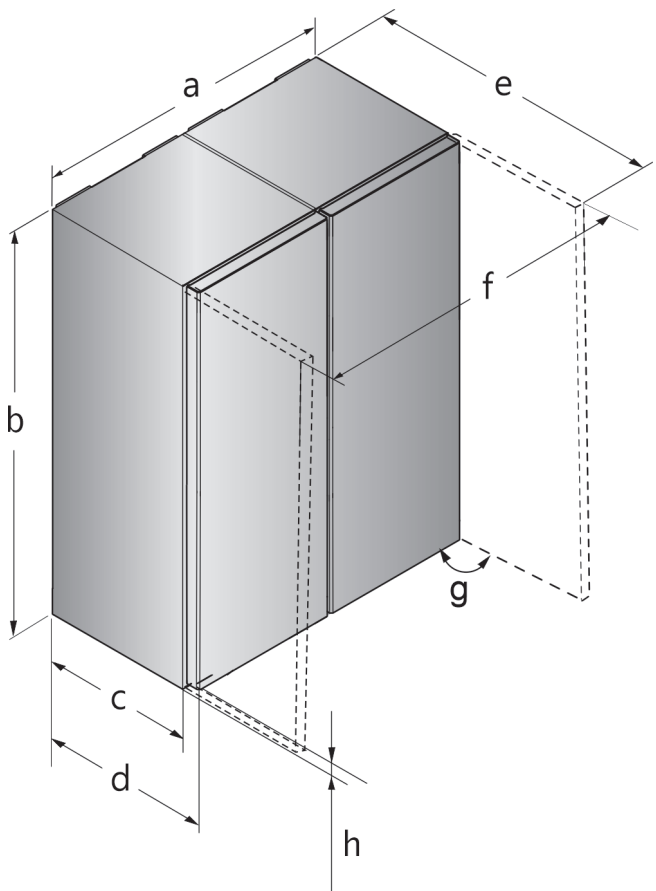


Fig. 3 Example illustration

For appliances with a lever handle



	a	b	c	d	e	f	h	g
S(BN)(CN)(FN)(sd)(st)(bd)(bs) 52..(i)	1204 mm	1855 mm	611 mm ^x	675 mm ^x	1222 mm ^x	1318 mm	35 mm	90°

* Depending on model and options

Transporting appliance

	a	b	c	d	e	f	h	g
CBN.. 76..	1504 mm	1855 mm	611 mm ^x	675 mm ^x	1365 mm ^x	1618 mm	35 mm	90°

For appliances with a lever handle

^x The use of wall spacers increases the dimensions by 15 mm .

The dimensions with an open door apply for an opening angle of 90°. The clearances vary depending on the opening angle.

	a	b	c	d	e	f	h	g
SFN(sd)(sf)(bd) 52..	1226 mm	1855 mm	611 mm ^x	675 mm ^x	1217 mm ^x	1252 mm	35 mm	90°

For appliances with a recessed grip

^x The use of wall spacers increases the dimensions by 15 mm .

The dimensions with an open door apply for an opening angle of 90°. The clearances vary depending on the opening angle.

For appliances with recessed grip



CAUTION

Risk of injury and damage due to the appliance falling down.
 ► The appliance must be held and tilted by two people.

Make sure the following prerequisites are met:

- The appliance is switched off.
- The appliance is not loaded.
- The appliance is tilted by two people.

3 Transporting appliance

Note when transporting the appliance:

- Transport the appliance upright.
- Use two people to transport the appliance.

During first use:

- Transport the appliance packaged.

When transporting appliances after initial commissioning (e. g. moving or cleaning):

- Empty the appliance.
- Secure the door against unintentional opening.

4 Transporting the appliance

- Transport the appliance only in suitable packaging.
- Transport the appliance upright.
- Do not transport the appliance on your own.

5 Unpacking the appliance

Before you connect the appliance, report any damage immediately to the delivery company.

- Check the appliance and the packaging for damage during transport. Contact the supplier immediately if you suspect any level of damage.
- Remove all materials from the back or the side walls of the appliance that may prevent proper installation or ventilation.
- Remove all protective films from the appliance. Do not use sharp or pointed objects for this.
- Take the power cable from the rear of the appliance. Remove the cable brackets when you do this, otherwise there will be noise caused by vibrations!

6 Mosquito screens

The mosquito screens ensure proper functioning of the appliance by providing optimum protection against small insects.

If a mosquito screen is included in the appliance scope of delivery, fit the mosquito screen according to the description. If you have problems when installing the mosquito screen, contact customer service (see operating instructions, Customer Service).

6.1 Installing the mosquito screen

- Tilt the appliance slightly backwards with the help of another person.

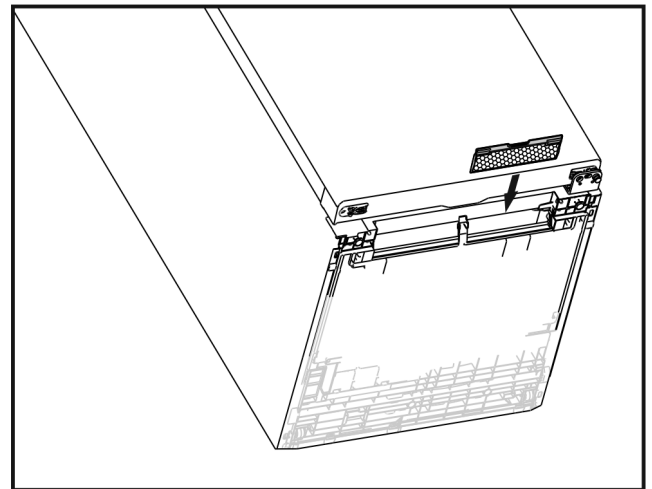


Fig. 4

- Slide the mosquito screen in as shown in the diagram (see Fig. 4) .

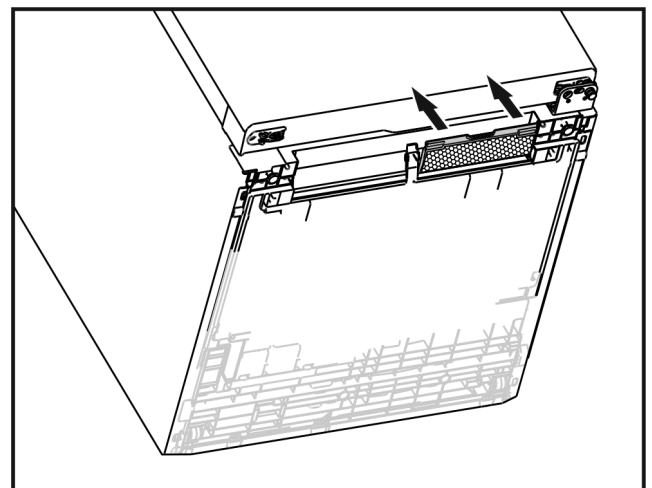


Fig. 5

- ▶ Press the mosquito screen on both sides of the appliance until it clicks into place (see Fig. 5).
- ▶ Fit the second screen in the same way.
- ▶ Set the appliance upright again.

6.2 Removing the mosquito screen

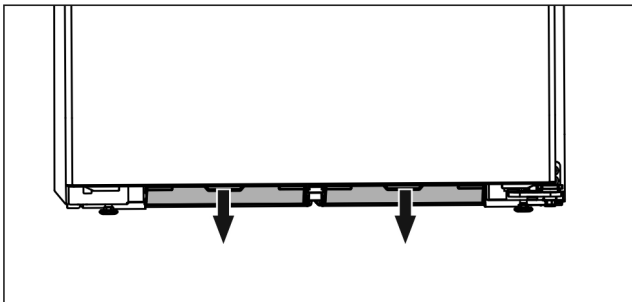


Fig. 6

- ▶ Press down on the centre of the screens until they click out of place.
- ▶ Clean the mosquito screens (see operating instructions, cleaning the appliance).
- ▶ Refit the mosquito screens.

7 Disposing of packaging



WARNING

Danger of suffocation due to packing material and plastic film!

- ▶ Do not allow children to play with packing material.

The packaging is made of recyclable materials:

- corrugated board/cardboard
 - expanded polystyrene parts
 - polythene bags and sheets
 - polypropylene straps
 - nailed wooden frame with polyethylene panel*
- ▶ Take the packaging material to an official collecting point.

8 Side by side assembly

Set up the freezer or the appliance with the freezer compartment from the left when viewed from the front. These appliances are equipped with a side-wall heater on the right hand side to prevent condensation forming.

All the assembly components are supplied with the appliance.

Assembly parts in the accessory kit

For appliances with lever handle

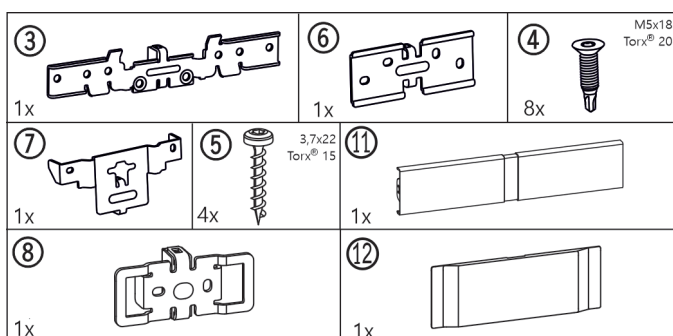


Fig. 7

For appliances with recessed grip

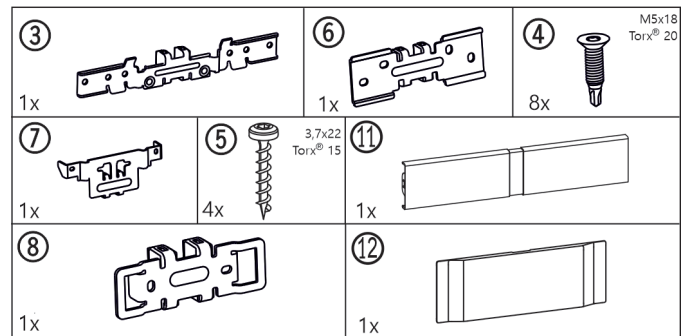


Fig. 8

For all appliances

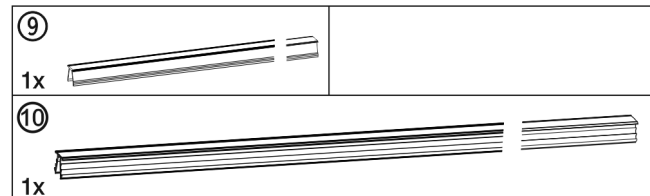


Fig. 9

For appliances with bottom soft stop mechanism

Base trims

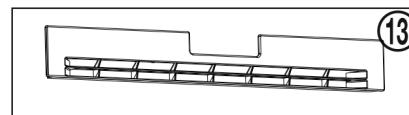


Fig. 10

Swap bearing block cover

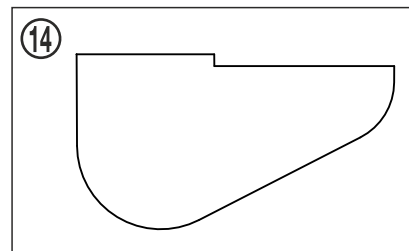


Fig. 11

For appliances without bottom soft stop mechanism

Base trims

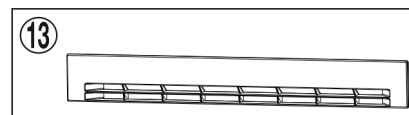


Fig. 12

Tool for assembly

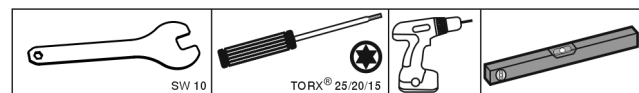


Fig. 13

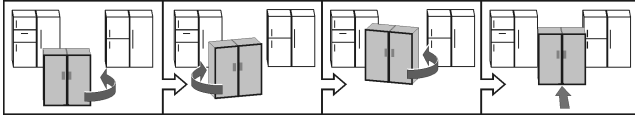
Ensure that the following tools are to hand:

- Size 10 open-ended spanner (supplied)
- Torx® 25/20/15 screwdriver
- Cordless screwdriver
- Spirit level

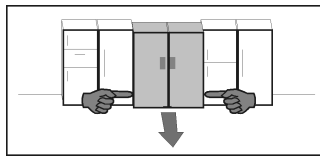
Side by side assembly

Information on moving the SBS combination:

- ❑ Set up the appliances as close to the final position as possible before assembly.
The appliances must be accessible on all sides for correct assembly.
- ❑ When moving the appliances after assembly, always take hold from the front outer corners. Never press your knee against the side walls or door.
- ❑ The SBS combination can be moved most easily when moved diagonally, that is by alternately pushing from the left and right corners.
If the combination is standing directly in front of the recess, push it in straight.



- ❑ If the combination has to be pulled out of the recess again, take hold of the bottom third of the combination and pull forward straight.



NOTICE

Risk of damage when moving the combined SBS appliance! The combined SBS appliance is heavy once assembled. The appliance may be dented by improper movement.

- ▶ Observe the information given on moving the appliance (see above).

- ▶ Take off all protective film from the exterior of the appliance.

Bottom front of the appliance:

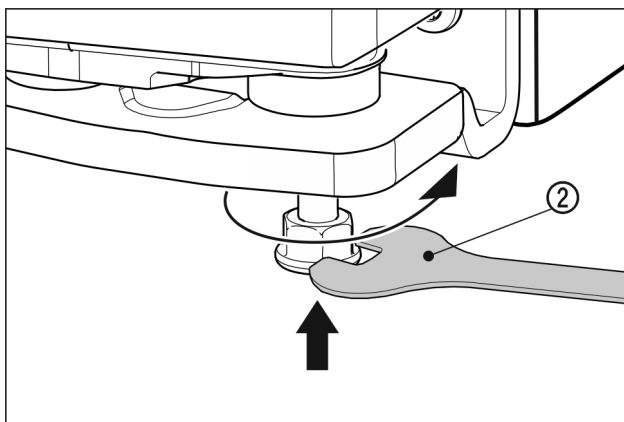


Fig. 14

- ▶ Tighten the outer adjusting feet. The appliances can be moved easier.

For appliances with lever handle

- ▶ Push both appliances so that they are approx. 10 mm apart from each other, and they are positioned flush facing forwards.

For appliances with recessed grip

- ▶ Push both appliances so that they are approx. 32 mm apart from each other, and they are positioned flush facing forwards.
- ▶ Straighten the appliances up using a spirit level on the top of the appliance.

Top front of the appliance:

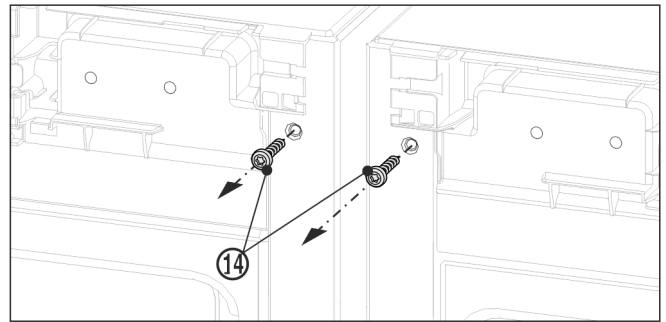


Fig. 15

- ▶ Remove the existing covers.
- ▶ Before fitting the top bracket remove both earthing screws Fig. 15 (14).
- ▶ Store the earthing screws safely. The screws will be necessary for fitting the bracket as shown below.

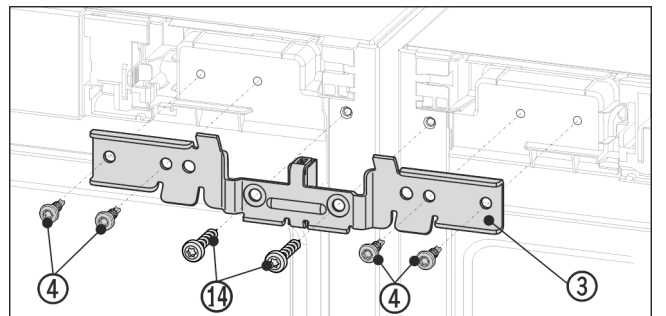


Fig. 16 Example illustration

- ▶ Slide the bracket Fig. 16 (3) onto the pins with the spacer between the appliances. Loosely screw in the brackets alternately right and left with four screws Fig. 16 (4) and the previously removed earthing screws Fig. 16 (14).
- ▶ If necessary: Check the appliance is stood straight by laying a spirit level on the top of the appliance.

Bottom front of the appliance:

- ▶ Remove the existing covers.

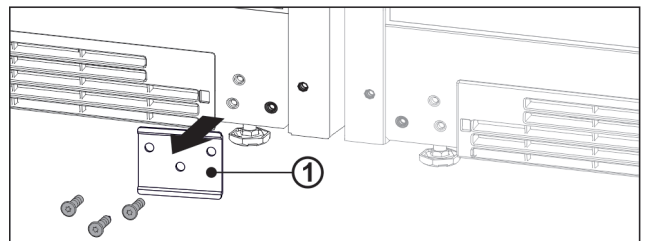


Fig. 17

- ▶ If the metal plate Fig. 17 (1) is installed, unscrew the metal plate.

Note

If you want to transport the appliance or set it up as an individual appliance, you must re-attach the metal plate.

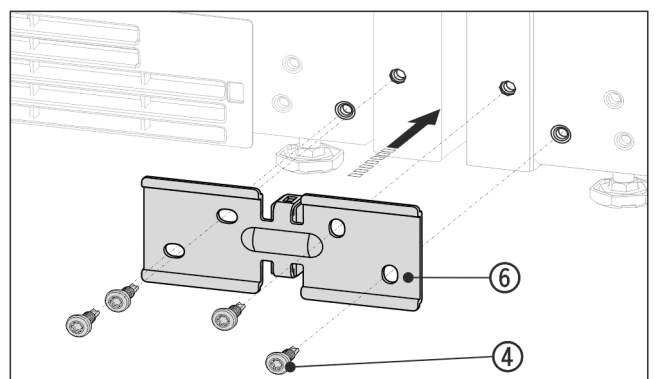


Fig. 18 Example illustration

- ▶ Slide the bracket *Fig. 18 (6)* on with the spacer between the appliances and screw in loosely with the 4 screws *Fig. 18 (4)*.
- ▶ If necessary: Set up the appliances so that they are level.
- ▶ Tighten the screws firmly at the top and bottom.

Top rear of the appliance:

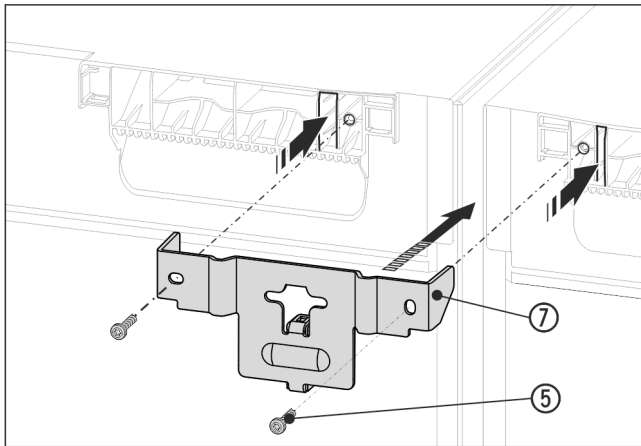


Fig. 19 Example illustration

- ▶ Slide the bracket *Fig. 19 (7)* onto the appliance ceiling with the lugs and with the spacer between the appliances. Screw in firmly with 2 screws *Fig. 19 (5)*.

Bottom rear of the appliance:

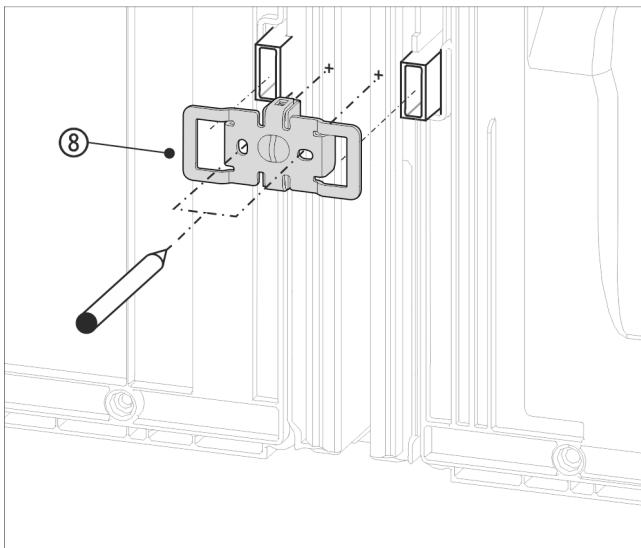


Fig. 20 Example illustration

- ▶ Slide the bracket *Fig. 20 (8)* on with the slots over the retainer for the wall spacers.

Note

Holes for the screws must be pre-drilled.

- ▶ Mark the position of the holes to be drilled with a pencil.
- ▶ Remove the bracket again.

Note

Only drill through the metal plate. Drill depth approx. 1 mm.

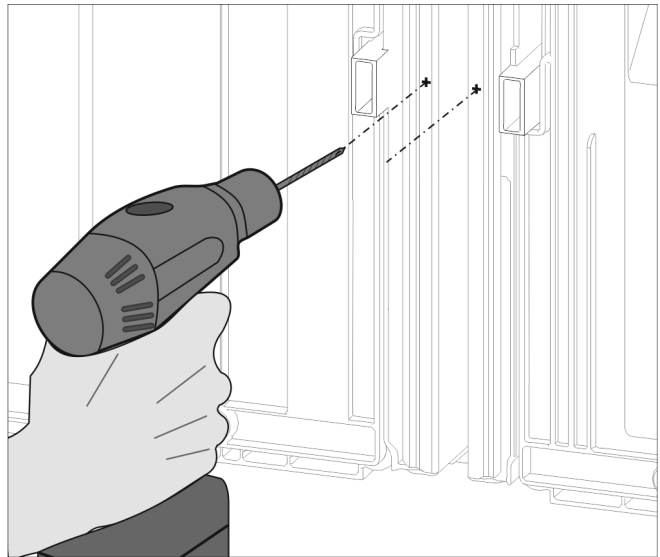


Fig. 21

- ▶ Pre-drill the screw holes with a 3 mm bit and deburr.

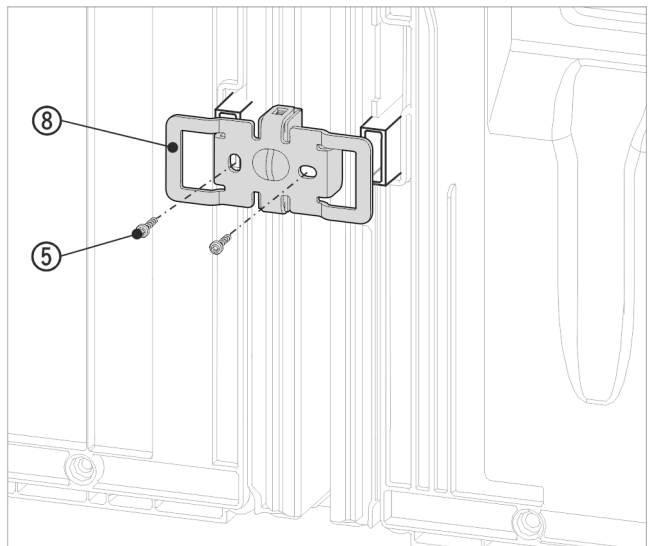


Fig. 22 Example illustration

- ▶ Slide the bracket *Fig. 22 (8)* on once more with the slots over the retainer for the wall spacers.
- ▶ Screw in tightly with the 2 screws *Fig. 22 (5)*.

Before fitting the top and front cover strips, push the two bars together over the whole length. The strips can be inserted more easily into the gap. Use a soft cloth to push the strips in to avoid dents in the surface of the cover strips. Press the strips into the gap carefully and evenly in order to achieve an optimum bond.

For appliances with lever handle

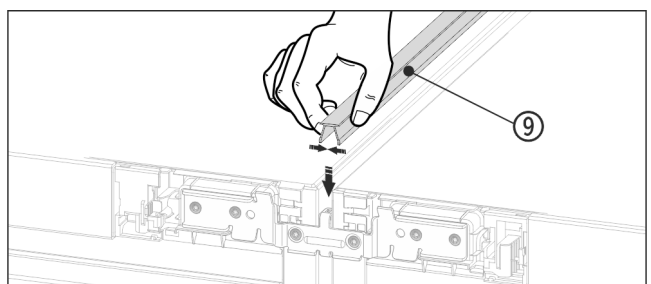


Fig. 23

- ▶ On the top press the short cover strip *Fig. 23 (9)* into the horizontal gap.

For appliances with recessed grip

Side by side assembly

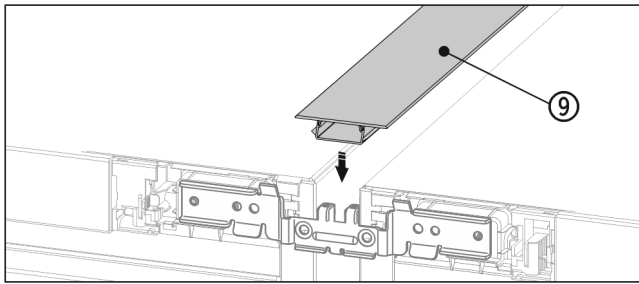


Fig. 24

- ▶ On the top press the short cover strip Fig. 24 (9) into the horizontal gap.

For appliances with lever handle

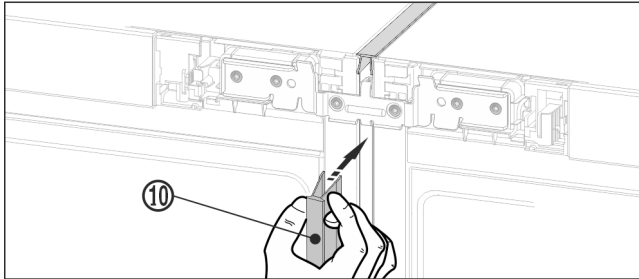


Fig. 25

- ▶ On the front, press the long cover strip Fig. 25 (10) into the vertical gap. Ensure that the strip rests on the connecting plate.

For appliances with recessed grip

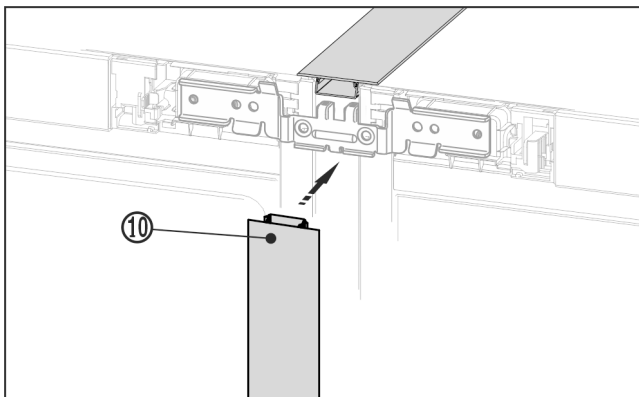


Fig. 26

- ▶ On the front, press the long cover strip Fig. 26 (10) into the vertical gap. Ensure that the strip rests on the connecting plate.
- ▶ Take off the protective film from the cover strip.*

Top front of the appliance:

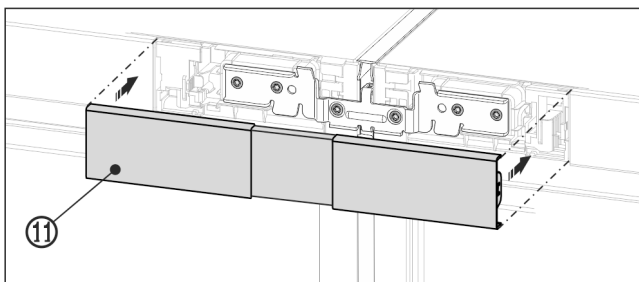


Fig. 27 Example illustration

- ▶ Snap the top cover Fig. 27 (11) onto the still open gap between the two control panel trims. Make sure that the outer sides of the cover form a flush finish with the control panel trims.

Bottom front of the appliance

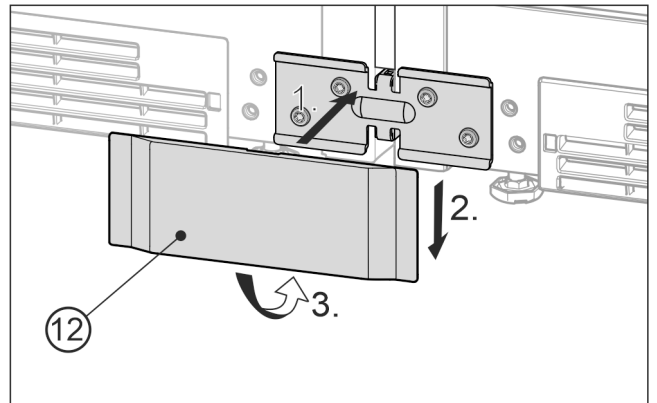


Fig. 28 Example illustration

- ▶ Place the bottom cover Fig. 28 (12) onto the bracket from the front Fig. 28 (1), slide it down Fig. 28 (2) and snap it in at the bottom Fig. 28 (3).
- ▶ To disassemble the cover, insert a screwdriver at the bottom on the side below the cover and release both lower hooks. The cover can swing out upwards.
- ▶ Connect the combination electrically. See the installation guide.
- ▶ Appliances with IceMaker or InfinitySpring:
Connect the appliance to the fixed water connection. See the installation guide.

NOTICE

Risk of damage when moving the combined SBS appliance! The combined SBS appliance is heavy once assembled. The appliance may be dented by improper movement.

- ▶ Observe the information given on moving the appliance (see above).

- ▶ Carefully push the SBS combination into the specified position.
- ▶ If necessary, align the SBS combination using the leveling feet.
- ▶ Then prop up the door: Lower outer adjusting feet on the bearing bracket until they are resting on the floor.

The doors can be straightened at height on the outer lower bearing brackets:

- ▶ Open the door to 90°.

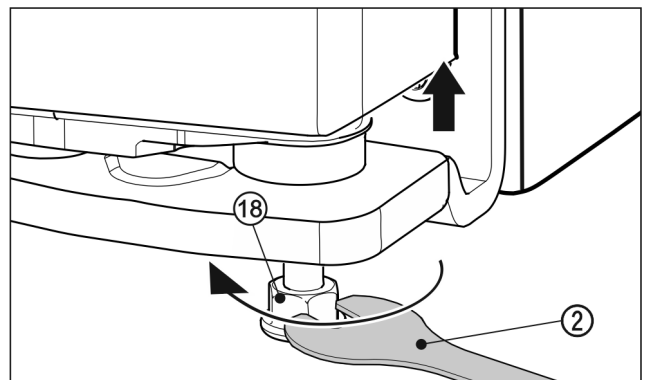


Fig. 29

- ▶ To lift the door, unscrew the adjusting foot Fig. 29 (18) clockwise using the supplied open-ended spanner Fig. 29 (2) until the foot makes contact with the floor. Then continue turning until the door is adjusted to the right height. When delivered, the bearing pin is completely screwed in.

Fit decorative base trim.

After you have assembled and straightened out the appliances, the base trims can be fitted at the bottom of the appliances. The base trims are decorative and will not affect the functionality of the appliances.

For appliances with bottom soft stop mechanism

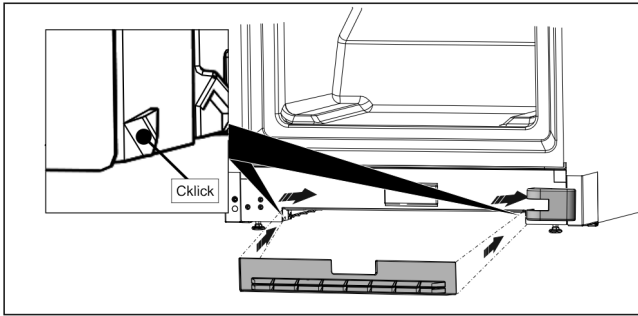


Fig. 30

- ▶ Attach the base trim to the bottom of the appliance in the recess.

Note

The base trim must be pushed to a little behind the bearing bracket cover.

For appliances without bottom soft stop mechanism

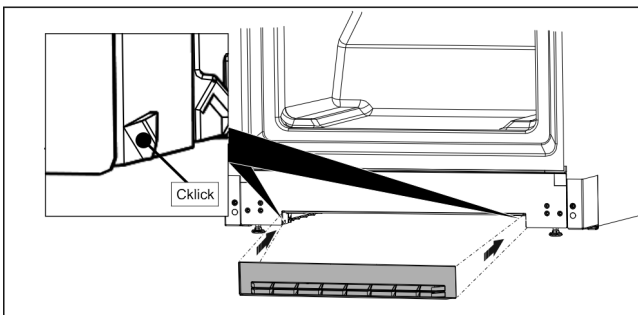


Fig. 31

- ▶ Secure the base trim recess at the bottom of the appliance, as shown in the figure.



home.liebherr.com/fridge-manuals

EN Side-by-Side combinations

Issue date: 20240318

Part number index: 7086163-00

Liebherr-Hausgeräte Marica EOOD
Bezirk Plovdiv
4202 Radinovo
Bulgarien