

---

# GM 5B - GMZ 180B

---

Clamshell grabs

**LIEBHERR**

Attachments

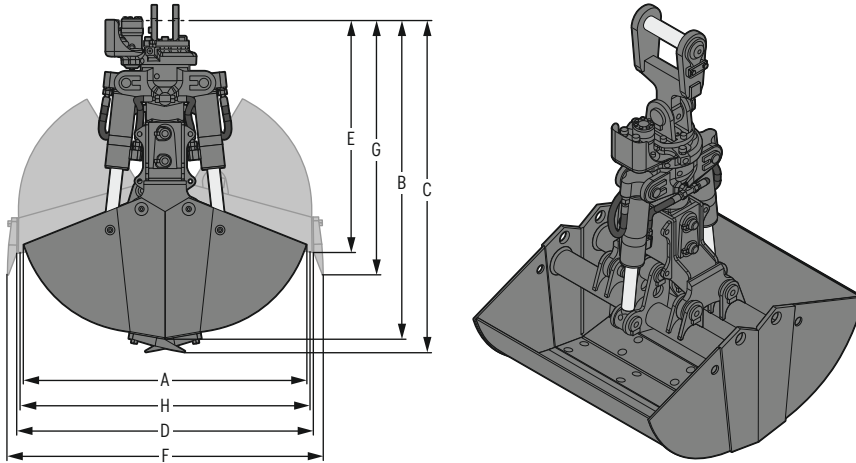


Capacity  
0.09 - 15.69 yd<sup>3</sup>



# Clamshell grab GM 5B

Clamshell buckets, two-piece clamshell carrier



## Machine range

Wheeled excavator Compact	A 910 Compact – A 916 Compact	Weight class 22,046 – 35,274 lb
Wheeled excavator	A 914	Weight class 22,046 – 35,274 lb
Crawler excavator Compact	R 914 Compact	Weight class 22,046 – 35,274 lb
Railroad excavator	R 914 Rail	Weight class 22,046 – 35,274 lb

## Dimensions / weights

Capacity	Shell width	Number of teeth	Shells closed			D Width	E Height	Shells open			Weight <sup>1)</sup>	
			A Width	B Height	C Height with teeth			F Width with teeth	G Height with teeth	H Opening width	without suspension	with standard suspension
yd <sup>3</sup>	ft in	Piece	ft in	ft in	ft in	ft in	ft in	ft in	ft in	ft in	lb	lb
0.13	1'	3	3'11"	4'5"	4'7"	4'1"	3'3"	4'5"	3'7"	4'	904	1,058
0.17	1'4"	5	3'11"	4'5"	4'7"	4'1"	3'3"	4'5"	3'7"	4'	981	1,135
0.26	2'	5	3'11"	4'5"	4'7"	4'1"	3'3"	4'5"	3'7"	4'	1,047	1,202
0.35	2'7"	7	3'11"	4'5"	4'7"	4'1"	3'3"	4'5"	3'7"	4'	1,135	1,290
0.44	3'3"	7	3'11"	4'5"	4'7"	4'1"	3'3"	4'5"	3'7"	4'	1,301	1,455

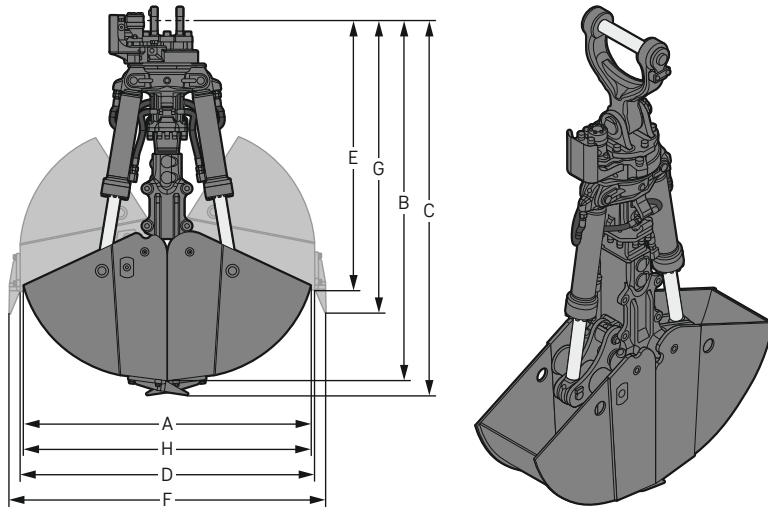
<sup>1)</sup> the weight may vary depending on the suspension

## Technical data

Lift capacity max.	Pressure max.	Grab open / close Flow max.	Pressure max.	Grab turning Flow max.	Torque 1 motor 12.2 in <sup>3</sup>
11,023 lb	5,221 psi	40 gpm	2,176 psi	8 gpm	797 lbf ft

# Clamshell grab GM 8B

## Clamshell buckets, two-piece clamshell carrier



### Machine range

Wheeled excavator Compact	A 914 Compact - A 918 Compact	Weight class 30,865 - 44,092 lb
Wheeled excavator	A 914 - A 918	Weight class 30,865 - 44,092 lb
Crawler excavator Compact	R 914 Compact - R 920 Compact	Weight class 30,865 - 44,092 lb
Railroad excavator	A 922 Rail, A 924 Rail, R 914 Rail	Weight class 30,865 - 44,092 lb

### Dimensions / weights

Capacity	Shell width	Number of teeth	Shells closed			D Width	E Height	Shells open			H Opening width	without suspension	Weight <sup>1)</sup> with standard suspension	with HD suspension
			A Width	B Height	C Height with teeth			F Width with teeth	G Height with teeth					
yd <sup>3</sup>	ft in	Piece	ft in	ft in	ft in	ft in	ft in	ft in	ft in	ft in	lb	lb	lb	
0.22	1'1"	3	4'9"	6'4"	6'5"	5'2"	4'9"	5'4"	5'1"	4'10"	1,499	1,653	1,664	
0.29	1'4"	3	4'9"	6'4"	6'5"	5'2"	4'9"	5'4"	5'1"	4'10"	1,598	1,753	1,764	
0.39	2'	5	4'9"	6'4"	6'5"	5'2"	4'9"	5'4"	5'1"	4'10"	1,576	1,731	1,742	
0.52	2'7"	5	4'9"	6'4"	6'5"	5'2"	4'9"	5'4"	5'1"	4'10"	1,676	1,830	1,841	

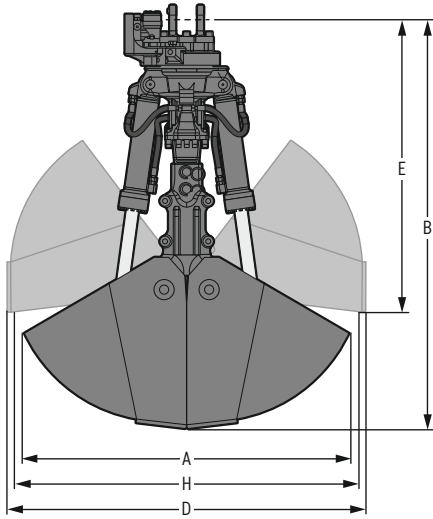
<sup>1)</sup> the weight may vary depending on the suspension

### Technical data

Lift capacity max.	Pressure max.	Grab open / close Flow max.	Pressure max.	Grab turning Flow max.	Torque 1 motor 12.2 in <sup>3</sup>
22,046 lb	5,221 psi	53 gpm	2,176 psi	8 gpm	1,018 lbf ft

# Clamshell grab GM 8B

Shells for loose material, two-piece clamshell carrier



## Machine range

Wheeled excavator Compact	A 914 Compact - A 918 Compact	Weight class 30,865 - 44,092 lb
Wheeled excavator	A 914 - A 918	Weight class 30,865 - 44,092 lb
Crawler excavator Compact	R 914 Compact - R 920 Compact	Weight class 30,865 - 44,092 lb
Railroad excavator	R 914 Rail	Weight class 30,865 - 44,092 lb

## Dimensions / weights

Capacity	Shell width	Shells closed		D Width	Shells open		H Opening width	Weight <sup>1)</sup>	
		A Width	B Height		E Height	without suspension		with HD suspension	
1.05 yd <sup>3</sup>	3'3"	5'3"	6'8"	5'10"	4'9"	5'7"	1,907 lb	2,072 lb	

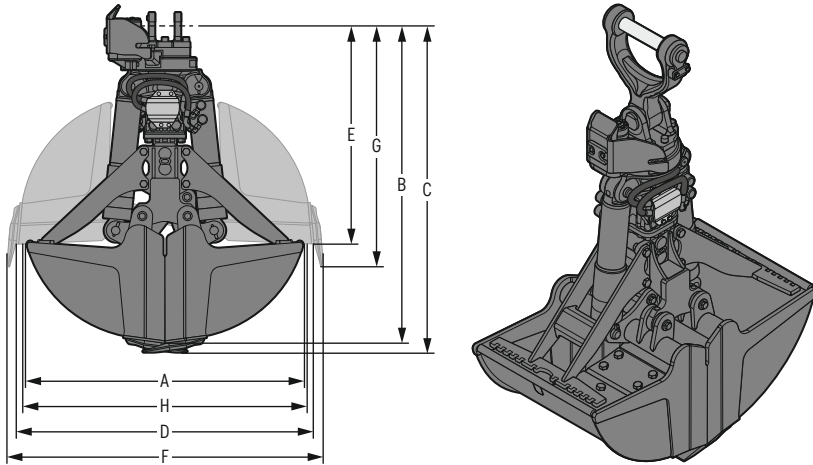
<sup>1)</sup> the weight may vary depending on the suspension

## Technical data

Lift capacity max.	Pressure max.	Grab open / close Flow max.	Pressure max.	Grab turning Flow max.	Torque 1 motor
22,046 lb	5,221 psi	53 gpm	2,176 psi	8 gpm	12.2 in <sup>3</sup> 1,018 lbf ft

# Clamshell grab GMZ 22 / GMZ 22 HD

Clamshell buckets, two-piece clamshell carrier  
Compatible with previous shell GM 7C / GM 7C HD



## Machine range

Wheeled excavator Compact	A 916 Compact - A 918 Compact	Weight class 35,274 - 52,911 lb
Wheeled excavator	A 916 - A 920	Weight class 35,274 - 52,911 lb
Crawler excavator	R 918 - R 922	Weight class 35,274 - 52,911 lb
Railroad excavator	A 922 Rail, A 924 Rail	Weight class 35,274 - 52,911 lb

## Dimensions / weights

Capacity	Shell width	Number of teeth	Shells closed			D Width	E Height	Shells open			H Opening width	Weight <sup>1) 2) 3)</sup>			
			A Width	B Height	C Height with teeth			F Width with teeth	G Height with teeth	without suspension		with standard suspension	with HD suspension	with XHD suspension	
yd <sup>3</sup>	ft in	Piece	ft in	ft in	ft in	ft in	ft in	ft in	ft in	ft in	lb	lb	lb	lb	
0.18	1'	3	4'9"	5'6"	5'8"	5'2"	3'9"	5'5"	4'2"	4'11"	1,499	1,653	1,664	1,720	
0.26	1'4"	3	4'9"	5'6"	5'8"	5'2"	3'9"	5'5"	4'2"	4'11"	1,565	1,720	1,731	1,876	
0.39	2'	5	4'9"	5'6"	5'8"	5'2"	3'9"	5'5"	4'2"	4'11"	1,720	1,874	1,885	1,940	
0.55	2'7"	7	4'9"	5'6"	5'8"	5'2"	3'9"	5'5"	4'2"	4'11"	1,885	2,039	2,050	2,105	
0.71	3'3"	9	4'9"	5'6"	5'8"	5'2"	3'9"	5'5"	4'2"	4'11"	2,061	2,216	2,227	2,282	

<sup>1)</sup> the weight may vary depending on the suspension

<sup>2)</sup> 44 lb additional weight for swivel circuit with 2 motors

<sup>3)</sup> 44 lb additional weight for HD version

## Technical data

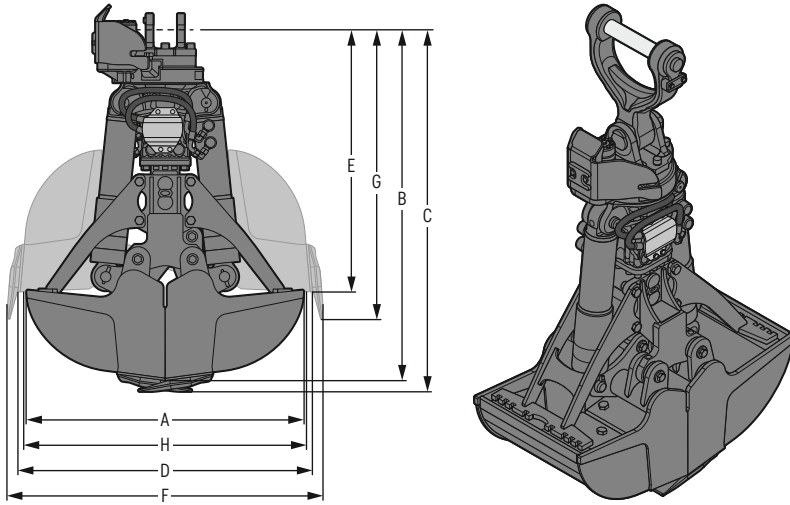
Lift capacity max.	Grab open / close		Grab turning		1 motor 12.2 in <sup>3</sup>	Torque	
	Pressure max.	Flow <sup>1)</sup> max.	Pressure max.	Flow max.		1 motor 19.2 in <sup>3</sup>	2 motors 12.2 in <sup>3</sup>
33,069 lb	5,221 psi	53 gpm	2,176 psi	8 gpm	1,018 lbf ft	1,593 lbf ft	2,043 lbf ft

<sup>1)</sup> 58 gpm for HD version



# Clamshell grab GMZ 22 / GMZ 22 HD

Combination buckets, two-piece clamshell carrier  
Compatible with previous grab GM 7C / GM 7C HD



## Machine range

Wheeled excavator Compact	A 916 Compact – A 918 Compact	Weight class 35,274 – 52,911 lb
Wheeled excavator	A 916 – A 920	Weight class 35,274 – 52,911 lb
Crawler excavator	R 918 – R 922	Weight class 35,274 – 52,911 lb
Railroad excavator	A 922 Rail, A 924 Rail	Weight class 35,274 – 52,911 lb

## Dimensions / weights

Capacity	Shell width	Number of teeth	Shells closed			Shells open					Weight <sup>1) 2) 3)</sup>			
			A Width	B Height	C Height with teeth	D Width	E Height	F Width with teeth	G Height with teeth	H Opening width	without suspension	with standard suspension	with HD suspension	with XHD suspension
yd <sup>3</sup>	ft in	Piece	ft in	ft in	ft in	ft in	ft in	ft in	ft in	ft in	lb	lb	lb	lb
0.16	1'4"	3	4'	5'	5'2"	4'3"	3'9"	4'6"	4'2"	4'	1,389	1,543	1,554	1,609
0.21	1'8"	5	4'	5'	5'2"	4'3"	3'9"	4'6"	4'2"	4'	1,477	1,631	1,642	1,698
0.26	2'	5	4'	5'	5'2"	4'3"	3'9"	4'6"	4'2"	4'	1,543	1,698	1,709	1,764
0.31	2'4"	7	4'	5'	5'2"	4'3"	3'9"	4'6"	4'2"	4'	1,631	1,786	1,797	1,852
0.37	2'7"	7	4'	5'	5'2"	4'3"	3'9"	4'6"	4'2"	4'	1,698	1,852	1,863	1,918
0.44	3'3"	9	4'	5'	5'2"	4'3"	3'9"	4'6"	4'2"	4'	1,841	1,995	2,006	2,061

<sup>1)</sup> the weight may vary depending on the suspension

<sup>2)</sup> 44 lb additional weight for swivel circuit with 2 motors

<sup>3)</sup> 44 lb additional weight for HD version

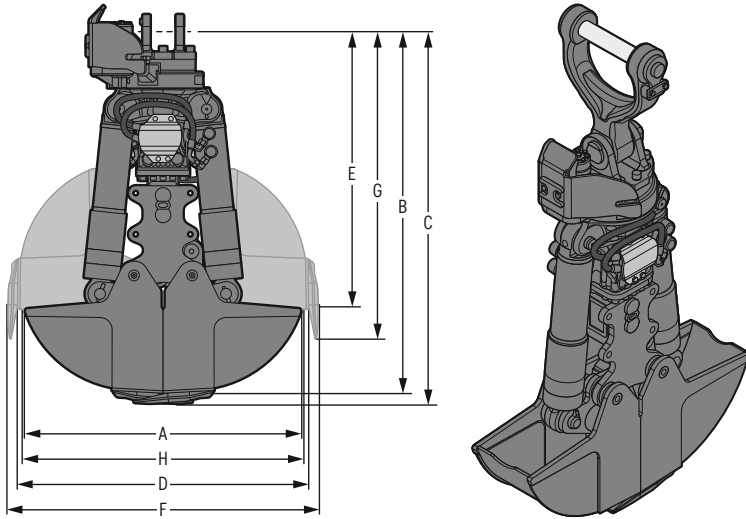
## Technical data

Lift capacity max.	Grab open / close		Grab turning		1 motor 12.2 in <sup>3</sup>	Torque 1 motor 19.2 in <sup>3</sup>	2 motors 12.2 in <sup>3</sup>
	Pressure max.	Flow <sup>1)</sup> max.	Pressure max.	Flow max.			
33,069 lb	5,221 psi	53 gpm	2,176 psi	8 gpm	1,018 lbf ft	1,593 lbf ft	2,043 lbf ft

<sup>1)</sup> 58 gpm for HD version

# Clamshell grab GMZ 22 / GMZ 22 HD

Track construction buckets, two-piece clamshell carrier  
Compatible with previous grab GM 7C / GM 7C HD



## Machine range

Railroad excavator | A 922 Rail, A 924 Rail | Weight class 35,274 - 52,911 lb

## Dimensions / weights

Capacity	Shell width	Number of teeth	Shells closed			D Width	E Height	Shells open			H Opening width	Weight <sup>1) 2) 3)</sup>			
			A Width	B Height	C Height with teeth			F Width with teeth	G Height with teeth	without suspension		with standard suspension	with HD suspension	with XHD suspension	
0.10 yd <sup>3</sup>	1'	3 Pieces	3'9"	4'11"	5'	3'11"	3'9"	4'3"	4'2"	3'9"	1,334 lb	1,488 lb	1,499 lb	1,554 lb	

<sup>1)</sup> the weight may vary depending on the suspension

<sup>2)</sup> 44 lb additional weight for swivel circuit with 2 motors

<sup>3)</sup> 44 lb additional weight for HD version

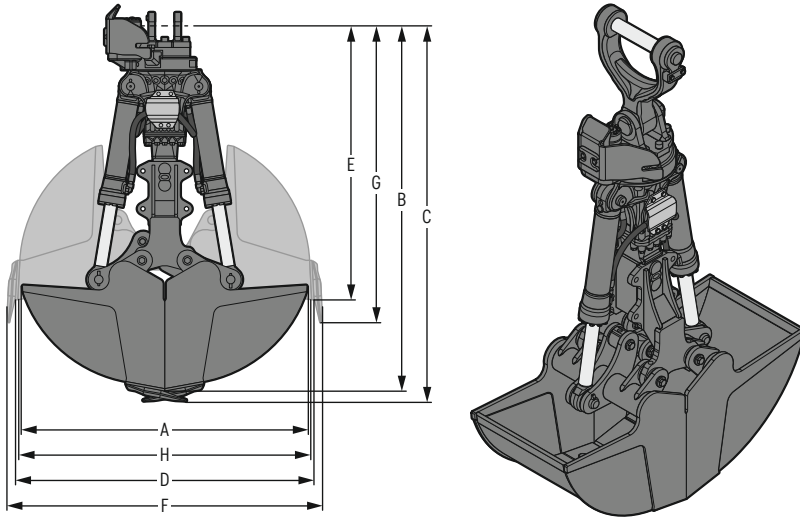
## Technical data

Lift capacity max.	Grab open / close		Grab turning		1 motor 12.2 in <sup>3</sup>	Torque	
	Pressure max.	Flow <sup>1)</sup> max.	Pressure max.	Flow max.		1 motor 19.2 in <sup>3</sup>	2 motors 12.2 in <sup>3</sup>
33,069 lb	5,221 psi	53 gpm	2,176 psi	8 gpm	1,018 lbf ft	1,593 lbf ft	2,043 lbf ft

<sup>1)</sup> 58 gpm for HD version

# Clamshell grab GMZ 24

Clamshell buckets, two-piece clamshell carrier  
Compatible with previous grab GM 10B



## Machine range

Wheeled excavator Compact	A 916 Compact - A 918 Compact	Weight class 35,274 - 52,911 lb
Wheeled excavator	A 916 - A 924	Weight class 35,274 - 52,911 lb
Crawler excavator Compact	R 926 Compact	Weight class 35,274 - 52,911 lb
Crawler excavator	R 918 - R 922	Weight class 35,274 - 52,911 lb
Railroad excavator	A 922 Rail, A 924 Rail	Weight class 35,274 - 52,911 lb

## Dimensions / weights

Capacity	Shell width	Number of teeth	Shells closed			D Width	E Height	Shells open			H Opening width	Weight <sup>1)2)</sup>			
			A Width	B Height	C Height with teeth			F Width with teeth	G Height with teeth	without suspension		with standard suspension	with HD suspension	with XHD suspension	
yd <sup>3</sup>	ft in	Piece	ft in	ft in	ft in	ft in	ft in	ft in	ft in	ft in	lb	lb	lb	lb	
0.21	1'1"	3	4'11"	6'4"	6'6"	5'2"	4'9"	5'5"	5'2"	5'	1,587	1,742	1,753	1,808	
0.29	1'4"	3	4'11"	6'4"	6'6"	5'2"	4'9"	5'5"	5'2"	5'	1,664	1,819	1,830	1,885	
0.37	1'8"	3	4'11"	6'4"	6'6"	5'2"	4'9"	5'5"	5'2"	5'	1,720	1,874	1,885	1,940	
0.44	2'	5	4'11"	6'4"	6'6"	5'2"	4'9"	5'5"	5'2"	5'	1,797	1,951	1,962	2,017	
0.60	2'7"	7	4'11"	6'4"	6'6"	5'2"	4'9"	5'5"	5'2"	5'	1,962	2,116	2,127	2,183	
0.78	3'3"	9	4'11"	6'4"	6'6"	5'2"	4'9"	5'5"	5'2"	5'	2,127	2,282	2,293	2,348	

<sup>1)</sup> the weight may vary depending on the suspension

<sup>2)</sup> 44 lb additional weight for swivel circuit with 2 motors

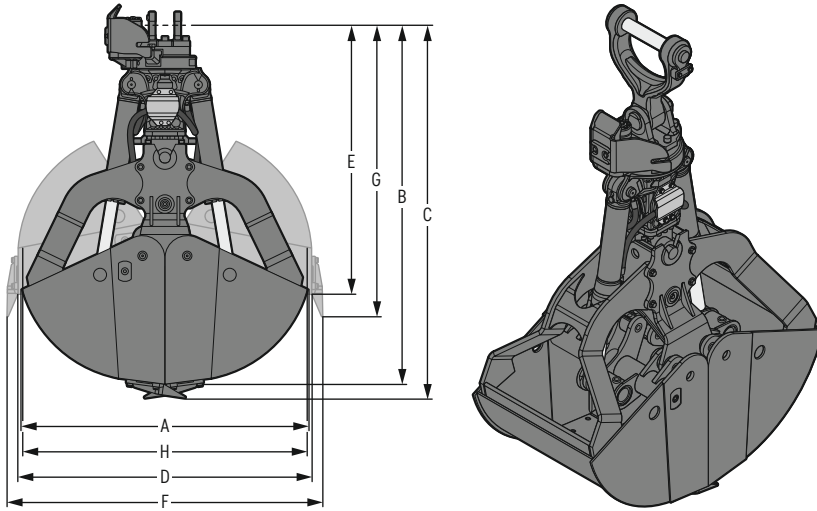
## Technical data

Lift capacity max.	Grab open / close		Grab turning		1 motor 12.2 in <sup>3</sup>	Torque 1 motor 19.2 in <sup>3</sup>	2 motors 12.2 in <sup>3</sup>
	Pressure max.	Flow max.	Pressure max.	Flow max.			
33,069 lb	5,221 psi	58 gpm	2,176 psi	8 gpm	1,018 lbf ft	1,593 lbf ft	2,043 lbf ft



# Clamshell grab GMZ 24

Clamshell buckets SW, two-piece clamshell carrier SW  
Compatible with previous grab SW GM 10B



## Machine range

Wheeled excavator Compact	A 916 Compact - A 918 Compact	Weight class 35,274 - 52,911 lb
Wheeled excavator	A 916 - A 924	Weight class 35,274 - 52,911 lb
Crawler excavator Compact	R 926 Compact	Weight class 35,274 - 52,911 lb
Crawler excavator	R 918 - R 922	Weight class 35,274 - 52,911 lb
Railroad excavator	A 922 Rail, A 924 Rail	Weight class 35,274 - 52,911 lb

## Dimensions / weights

Capacity	Shell width	Number of teeth	Shells closed			D Width	E Height	Shells open			H Opening width	Weight <sup>1)2)</sup>			
			A Width	B Height	C Height with teeth			F Width with teeth	G Height with teeth	without suspension		with standard suspension	with HD suspension	with XHD suspension	
yd <sup>3</sup>	ft in	Piece	ft in	ft in	ft in	ft in	ft in	ft in	ft in	ft in	lb	lb	lb	lb	
0.21	1'1"	3	5'	6'4"	6'7"	5'2"	4'9"	5'7"	5'2"	5'	1,863	2,017	2,028	2,083	
0.27	1'4"	3	5'	6'4"	6'7"	5'2"	4'9"	5'7"	5'2"	5'	1,885	2,039	2,050	2,105	
0.43	2'	5	5'	6'4"	6'7"	5'2"	4'9"	5'7"	5'2"	5'	2,050	2,205	2,216	2,271	
0.59	2'7"	5	5'	6'4"	6'7"	5'2"	4'9"	5'7"	5'2"	5'	2,194	2,348	2,359	2,414	
0.75	3'3"	7	5'	6'4"	6'7"	5'2"	4'9"	5'7"	5'2"	5'	2,348	2,502	2,513	2,568	

<sup>1)</sup> the weight may vary depending on the suspension

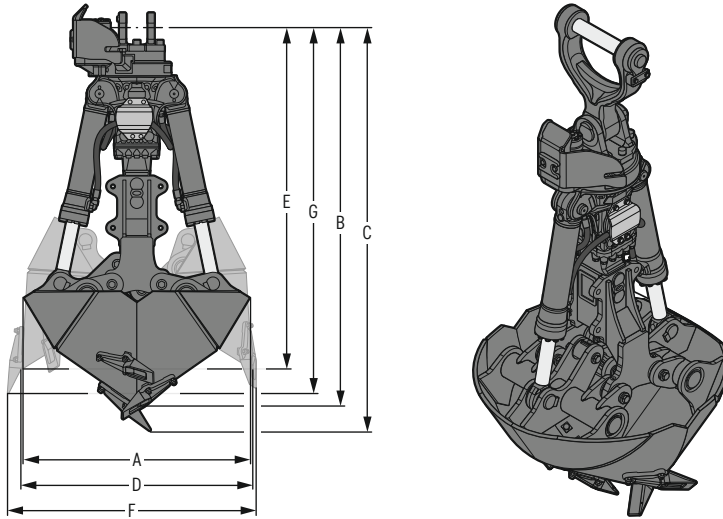
<sup>2)</sup> 44 lb additional weight for swivel circuit with 2 motors

## Technical data

Lift capacity max.	Grab open / close		Grab turning		1 motor 12.2 in <sup>3</sup>	Torque 1 motor 19.2 in <sup>3</sup>	2 motors 12.2 in <sup>3</sup>
	Pressure max.	Flow max.	Pressure max.	Flow max.			
33,069 lb	5,221 psi	58 gpm	2,176 psi	8 gpm	1,018 lbf ft	1,593 lbf ft	2,043 lbf ft

# Clamshell grab GMZ 24

Round hole shells, two-piece clamshell carrier  
Compatible with previous grab GM 10B<sup>1)</sup>



## Machine range

Wheeled excavator Compact	A 916 Compact – A 918 Compact	Weight class 35,274 – 52,911 lb
Wheeled excavator	A 916 – A 924	Weight class 35,274 – 52,911 lb
Crawler excavator Compact	R 926 Compact	Weight class 35,274 – 52,911 lb
Crawler excavator	R 918 – R 922	Weight class 35,274 – 52,911 lb
Railroad excavator	A 922 Rail, A 924 Rail	Weight class 35,274 – 52,911 lb

## Dimensions / weights

Capacity	Diameter of shells	Number of teeth	Shells closed			Shells open				Weight <sup>2)</sup>			
			A Width	B Height	C Height with teeth	D Width	E Height	F Width with teeth	G Height with teeth	without suspension	with standard suspension	with HD suspension	with XHD suspension
yd <sup>3</sup>	ft in	Piece	ft in	ft in	ft in	ft in	ft in	ft in	ft in	lb	lb	lb	lb
0.09	2' 7"	0	2' 5"	5'8"		2' 7"	5'5"			1,323	1,477	1,488	1,543
0.13	3' 3"	5	2'11"	5'7"	6'	2'11"	5'2"	3' 3"	5' 7"	1,400	1,554	1,565	1,620
0.29	3'11"	5	3' 7"	6'	6'4"	3' 8"	5'5"	3'11"	5'10"	1,609	1,764	1,775	1,830
0.67	4'11"	5	4' 6"	6'7"	7'	4' 8"	5'9"	4'11"	6' 1"	2,017	2,172	2,183	2,238
1.49	6' 3"	5	5' 9"	7'4"	7'8"	5'11"	6'2"	6' 3"	6' 6"	2,601	2,756	2,767	2,822

<sup>1)</sup> the weight may vary depending on the suspension

<sup>2)</sup> 44 lb additional weight for swivel circuit with 2 motors

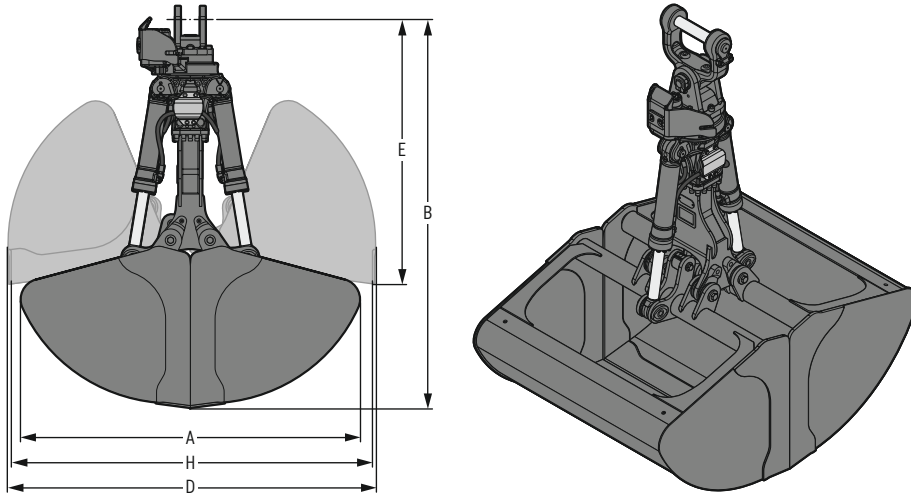
## Technical data

Lift capacity max.	Grab open / close		Grab turning		1 motor 12.2 in <sup>3</sup>	Torque 1 motor 19.2 in <sup>3</sup>	2 motors 12.2 in <sup>3</sup>
	Pressure max.	Flow max.	Pressure max.	Flow max.			
33,069 lb	5,221 psi	58 gpm	2,176 psi	8 gpm	1,018 lbf ft	1,593 lbf ft	2,043 lbf ft

<sup>1)</sup> compatible with shell diameter of 3'3" and over

# Clamshell grab GMZ 26

Shells for loose material, one-piece clamshell carrier



## Machine range

Material handling machine	LH 18 - LH 26	Weight class 35,274 - 52,911 lb
Crawler excavator	R 918 - R 922	Weight class 35,274 - 52,911 lb

## Dimensions / weights

Capacity	Shell width	Max. granule size	Max. material density	Shells closed		D Width	Shells open		H Opening width	without suspension	Weight <sup>1)2)</sup>	
				A Width	B Height		E Height	with HD suspension			with XHD suspension	
yd <sup>3</sup>	ft in	in	lb/yd <sup>3</sup>	ft in	ft in	ft in	ft in	ft in	lb	lb	lb	
1.96	4' 1"	1.6"	2,697	6'9"	7'5"	7'4"	4'11"	7'2"	2,414	2,579	2,635	
2.35	4'11"	1.6"	2,697	6'9"	7'5"	7'4"	4'11"	7'2"	2,601	2,767	2,822	

<sup>1)</sup> the weight may vary depending on the suspension

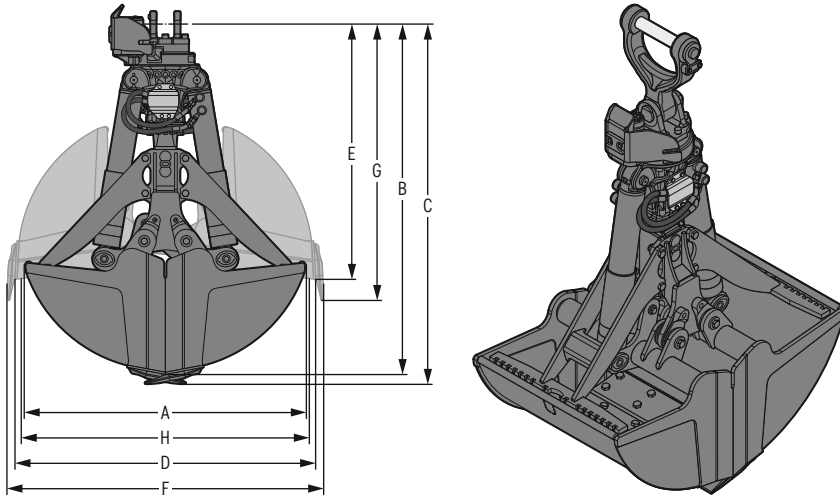
<sup>2)</sup> 44 lbg additional weight for swivel circuit with 2 motors

## Technical data

Lift capacity max.	Grab open / close		Grab turning		1 motor 12.2 in <sup>3</sup>	Torque	
	Pressure max.	Flow max.	Pressure max.	Flow max.		1 motor 19.2 in <sup>3</sup>	2 motors 12.2 in <sup>3</sup>
33,069 lb	5,221 psi	58 gpm	2,176 psi	8 gpm	1,018 lbf ft	1,593 lbf ft	2,043 lbf ft

# Clamshell grab GMZ 30

## Clamshell buckets, two-piece clamshell carrier



### Machine range

Material handling machine	LH 18 - LH 26	Weight class 44,092 - 66,139 lb
Wheeled excavator	A 920 - A 924	Weight class 44,092 - 66,139 lb
Crawler excavator Compact	R 926 Compact - R 936 Compact	Weight class 44,092 - 66,139 lb
Crawler excavator	R 922 - R 930	Weight class 44,092 - 66,139 lb

### Dimensions / weights

Capacity	Shell width	Number of teeth	Shells closed			D Width	E Height	Shells open			H Opening width	Weight <sup>1)2)</sup>			
			A Width	B Height	C Height with teeth			F Width with teeth	G Height with teeth	without suspension		with standard suspension	with HD suspension	with XHD suspension	
yd <sup>3</sup>	ft in	Piece	ft in	ft in	ft in	ft in	ft in	ft in	ft in	ft in	lb	lb	lb	lb	
0.50	2'	5	5'3"	6'7"	6'9"	5'8"	4'9"	5'11"	5'2"	5'5"	2,094	2,249	2,260	2,315	
0.68	2' 7"	7	5'3"	6'7"	6'9"	5'8"	4'9"	5'11"	5'2"	5'5"	2,271	2,425	2,436	2,491	
0.85	3' 3"	9	5'3"	6'7"	6'9"	5'8"	4'9"	5'11"	5'2"	5'5"	2,447	2,601	2,612	2,668	
1.05	3'11"	11	5'3"	6'7"	6'9"	5'8"	4'9"	5'11"	5'2"	5'5"	2,624	2,778	2,789	2,844	

<sup>1)</sup> the weight may vary depending on the suspension

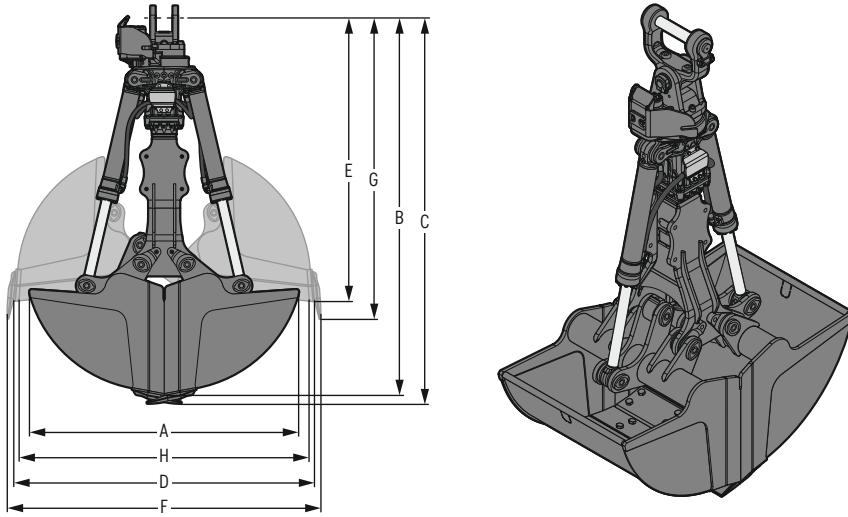
<sup>2)</sup> 44 lb additional weight for swivel circuit with 2 motors

### Technical data

Lift capacity max.	Grab open / close		Grab turning		1 motor 12.2 in <sup>3</sup>	Torque	
	Pressure max.	Flow max.	Pressure max.	Flow max.		1 motor 19.2 in <sup>3</sup>	2 motors 12.2 in <sup>3</sup>
33,069 lb	5,221 psi	66 gpm	2,176 psi	8 gpm	1,018 lbf ft	1,593 lbf ft	2,043 lbf ft

# Clamshell grab GMZ 40

## Clamshell buckets, one-piece clamshell carrier



### Machine range

Material handling machine	LH 24 - LH 50	Weight class 44,092 - 110,231 lb
Wheeled excavator	A 920 - A 924	Weight class 44,092 - 88,185 lb
Crawler excavator Compact	R 926 Compact - R 936 Compact	Weight class 44,092 - 88,185 lb
Crawler excavator	R 922 - R 938	Weight class 44,092 - 88,185 lb

### Dimensions / weights

Capacity	Shell width	Number of teeth	Shells closed			D Width	E Height	Shells open			without suspension	Weight <sup>1) 2)</sup>	
			A Width	B Height	C Height with teeth			F Width with teeth	G Height with teeth	H Opening width		with HD suspension	with XHD suspension
yd <sup>3</sup>	ft in	Piece	ft in	ft in	ft in	ft in	ft in	ft in	ft in	ft in	lb	lb	lb
0.85	2' 7"	5	6'	8'4"	8'6"	6'8"	6'3"	7'	6'8"	6'5"	2,745	2,910	2,965
1.11	3' 3"	7	6'	8'4"	8'6"	6'8"	6'3"	7'	6'8"	6'5"	2,932	3,097	3,153
1.37	3'11"	9	6'	8'4"	8'6"	6'8"	6'3"	7'	6'8"	6'5"	3,131	3,296	3,351
1.57	4' 7"	9	6'	8'4"	8'6"	6'8"	6'3"	7'	6'8"	6'5"	3,318	3,483	3,538
1.83	5' 3"	11	6'	8'4"	8'6"	6'8"	6'3"	7'	6'8"	6'5"	3,516	3,682	3,737

<sup>1)</sup> the weight may vary depending on the suspension

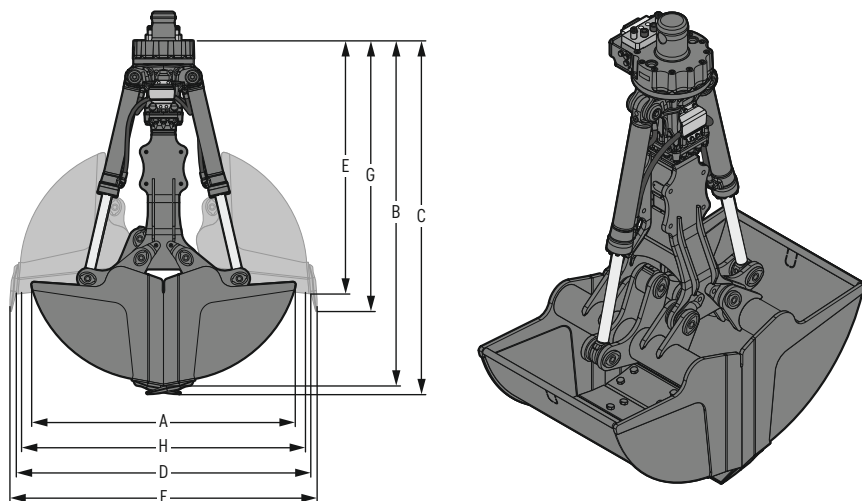
<sup>2)</sup> 44 lb additional weight for swivel circuit with 2 motors

### Technical data

Lift capacity max.	Grab open / close		Grab turning		1 motor 12.2 in <sup>3</sup>	Torque	
	Pressure max.	Flow max.	Pressure max.	Flow max.		1 motor 19.2 in <sup>3</sup>	2 motors 12.2 in <sup>3</sup>
33,069 lb	5,221 psi	66 gpm	2,176 psi	8 gpm	1,018 lbf ft	1,593 lbf ft	2,043 lbf ft

# Clamshell grab GMZ 40

Clamshell buckets, mounting MH 40<sup>1)</sup>, one-piece clamshell carrier



## Machine range

Material handling machine	LH 24 - LH 50	Weight class 44,092 - 110,231 lb
Wheeled excavator	A 920 - A 924	Weight class 44,092 - 88,185 lb
Crawler excavator Compact	R 926 Compact - R 936 Compact	Weight class 44,092 - 88,185 lb
Crawler excavator	R 922 - R 938	Weight class 44,092 - 88,185 lb

## Dimensions / weights

Capacity	Shell width	Number of teeth	Shells closed			D Width	E Height	Shells open		H Opening width	Weight
			A Width	B Height	C Height with teeth			F Width with teeth	G Height with teeth		
yd <sup>3</sup>	ft in	Piece	ft in	ft in	ft in	ft in	ft in	ft in	ft in	ft in	lb
0.85	2' 7"	5	6'	7'10"	8'	6'8"	5'9"	7'	6'2"	6'5"	2,745
1.11	3' 3"	7	6'	7'10"	8'	6'8"	5'9"	7'	6'2"	6'5"	2,932
1.37	3'11"	9	6'	7'10"	8'	6'8"	5'9"	7'	6'2"	6'5"	3,131
1.57	4' 7"	9	6'	7'10"	8'	6'8"	5'9"	7'	6'2"	6'5"	3,318
1.83	5' 3"	11	6'	7'10"	8'	6'8"	5'9"	7'	6'2"	6'5"	3,516

## Technical data

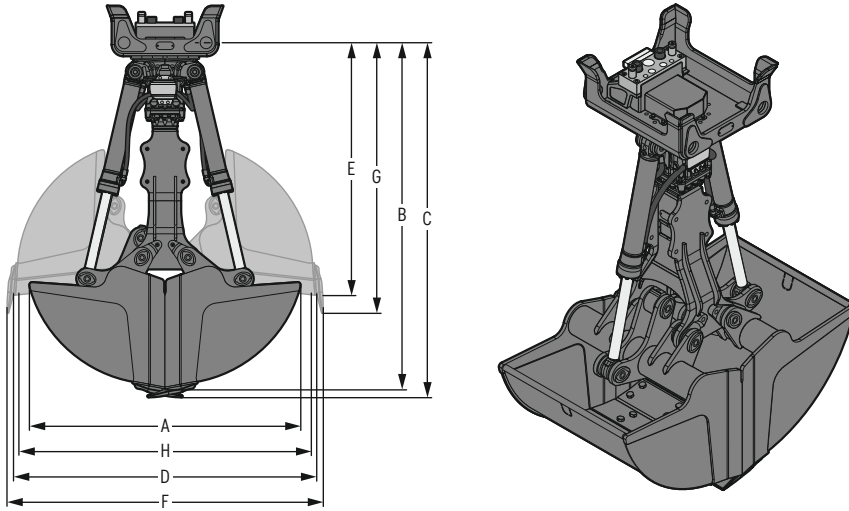
Lift capacity max.	Pressure max.	Grab open / close	Flow max.
33,069 lb	5,221 psi		66 gpm

<sup>1)</sup> for all MH 40 versions



# Clamshell grab GMZ 40

Clamshell buckets, mounting MH 110<sup>1)</sup>, one-piece clamshell carrier



## Machine range

Material handling machine	LH 24 - LH 50	Weight class 44,092 - 110,231 lb
Wheeled excavator	A 920 - A 924	Weight class 44,092 - 88,185 lb
Crawler excavator Compact	R 926 Compact - R 936 Compact	Weight class 44,092 - 88,185 lb
Crawler excavator	R 922 - R 938	Weight class 44,092 - 88,185 lb

## Dimensions / weights

Capacity	Shell width	Number of teeth	Shells closed			D Width	E Height	Shells open		H Opening width	Weight
			A Width	B Height	C Height with teeth			F Width with teeth	G Height with teeth		
yd <sup>3</sup>	ft in	Piece	ft in	ft in	ft in	ft in	ft in	ft in	ft in	ft in	lb
0.85	2' 7"	5	6'	7'8"	7'10"	6'8"	5'7"	7'	5'11"	6'5"	2,943
1.11	3' 3"	7	6'	7'8"	7'10"	6'8"	5'7"	7'	5'11"	6'5"	3,131
1.37	3'11"	9	6'	7'8"	7'10"	6'8"	5'7"	7'	5'11"	6'5"	3,329
1.57	4' 7"	9	6'	7'8"	7'10"	6'8"	5'7"	7'	5'11"	6'5"	3,516
1.83	5' 3"	11	6'	7'8"	7'10"	6'8"	5'7"	7'	5'11"	6'5"	3,715

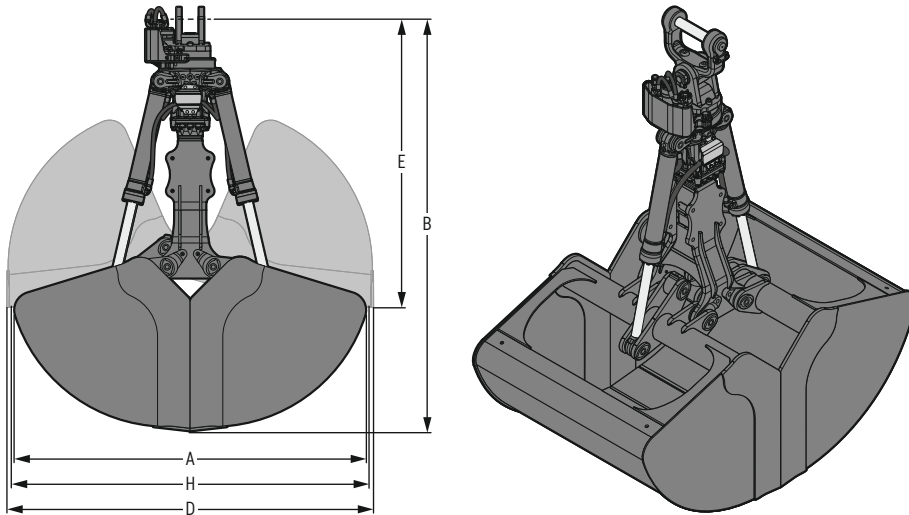
## Technical data

Lift capacity max.	Pressure max.	Grab open / close	Flow max.
33,069 lb	5,221 psi		66 gpm

<sup>1)</sup> for all MH 110 versions

# Clamshell grab GMZ 40

Shells for loose material, one-piece clamshell carrier



## Machine range

Material handling machine	LH 24 - LH 50	Weight class 44,092 - 110,231 lb
---------------------------	---------------	----------------------------------

## Dimensions / weights

Capacity	Shell width	Shell specification	Max. granule size	Max. material density	Shells closed		D Width	Shells open		H Opening width	without suspension	Weight <sup>1)2)</sup>	
					A Width	B Height		E Height	with HD suspension			with XHD suspension	
yd <sup>3</sup>	ft in		in	lb/yd <sup>3</sup>	ft in	ft in	ft in	ft in	ft in	ft in	lb	lb	lb
2.75	3'11"	Standard		4,382	7'9"	8' 9"	8'1"	6'1"	7'11"		3,616	3,781	3,836
3.27	4'11"	Standard		4,382	7'9"	8' 9"	8'1"	6'1"	7'11"		3,935	4,101	4,156
3.92	5' 9"	Standard	1.6"	3,371	7'9"	8' 9"	8'1"	6'1"	7'11"		4,200	4,365	4,420
4.58	6' 3"	Standard	1.6"	3,371	7'9"	8' 9"	8'1"	6'1"	7'11"		4,365	4,530	4,586
5.23	7' 1"	Standard	1.6"	1,854	7'9"	8' 9"	8'1"	6'1"	7'11"		4,938	5,104	5,159
5.88	8' 2"	Standard	1.6"	1,854	7'9"	8' 9"	8'1"	6'1"	7'11"		5,280	5,445	5,501
1.57	3'11"	Wide		4,382	6'	7'11"	6'5"	6'	6' 3"		3,175	3,340	3,395
1.96	4'11"	Wide		4,382	6'	7'11"	6'5"	6'	6' 3"		3,450	3,616	3,671
2.29	5' 9"	Wide	1.6"	3,371	6'	7'11"	6'5"	6'	6' 3"		3,682	3,847	3,902
2.62	6' 7"	Wide	1.6"	3,371	6'	7'11"	6'5"	6'	6' 3"		3,913	4,079	4,134
2.94	7' 5"	Wide	1.6"	1,854	6'	7'11"	6'5"	6'	6' 3"		4,299	4,464	4,519
3.27	8' 2"	Wide	1.6"	1,854	6'	7'11"	6'5"	6'	6' 3"		4,530	4,696	4,751

<sup>1)</sup> the weight may vary depending on the suspension

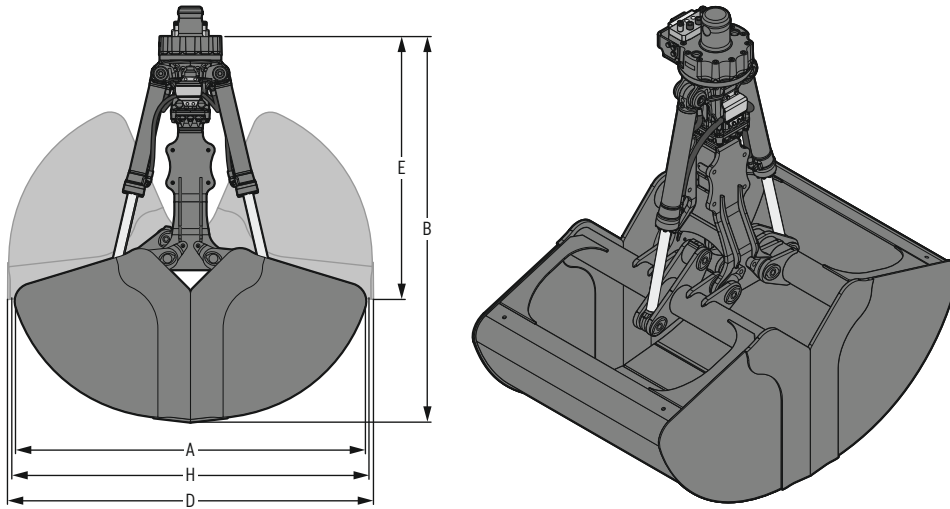
<sup>2)</sup> 44 lb additional weight for swivel circuit with 2 motors

## Technical data

Lift capacity max.	Grab open / close		Grab turning		1 motor 12.2 in <sup>3</sup>	Torque 1 motor 19.2 in <sup>3</sup>	2 motors 12.2 in <sup>3</sup>
	Pressure max.	Flow max.	Pressure max.	Flow max.			
33,069 lb	5,221 psi	66 gpm	2,176 psi	8 gpm	1,018 lbf ft	1,593 lbf ft	2,043 lbf ft

# Clamshell grab GMZ 40

Shells for loose material, mounting MH 40<sup>1)</sup>, one-piece clamshell carrier



## Machine range

Material handling machine	LH 24 - LH 50	Weight class 44,092 - 110,231 lb
---------------------------	---------------	----------------------------------

## Dimensions / weights

Capacity	Shell width	Shell specification	Max. granule size	Max. material density	Shells closed		D Width	Shells open		H Opening width	Weight
					A Width	B Height		E Height			
yd <sup>3</sup>	ft in		in	lb/yd <sup>3</sup>	ft in	ft in	ft in	ft in	ft in	ft in	lb
2.75	3'11"	Standard		4,382	7'9"	8'7"	8'1"	5'10"	7'11"		3,693
3.27	4'11"	Standard		4,382	7'9"	8'7"	8'1"	5'10"	7'11"		4,012
3.92	5' 9"	Standard	1.6"	3,371	7'9"	8'7"	8'1"	5'10"	7'11"		4,277
4.58	6' 3"	Standard	1.6"	3,371	7'9"	8'7"	8'1"	5'10"	7'11"		4,442
5.23	7' 1"	Standard	1.6"	1,854	7'9"	8'7"	8'1"	5'10"	7'11"		5,016
5.88	8' 2"	Standard	1.6"	1,854	7'9"	8'7"	8'1"	5'10"	7'11"		5,357
1.57	3'11"	Wide		4,382	6'	7'9"	6'5"	5' 9"	6' 3"		3,252
1.96	4'11"	Wide		4,382	6'	7'9"	6'5"	5' 9"	6' 3"		3,527
2.29	5' 9"	Wide	1.6"	3,371	6'	7'9"	6'5"	5' 9"	6' 3"		3,759
2.62	6' 7"	Wide	1.6"	3,371	6'	7'9"	6'5"	5' 9"	6' 3"		3,990
2.94	7' 5"	Wide	1.6"	1,854	6'	7'9"	6'5"	5' 9"	6' 3"		4,376
3.27	8' 2"	Wide	1.6"	1,854	6'	7'9"	6'5"	5' 9"	6' 3"		4,608

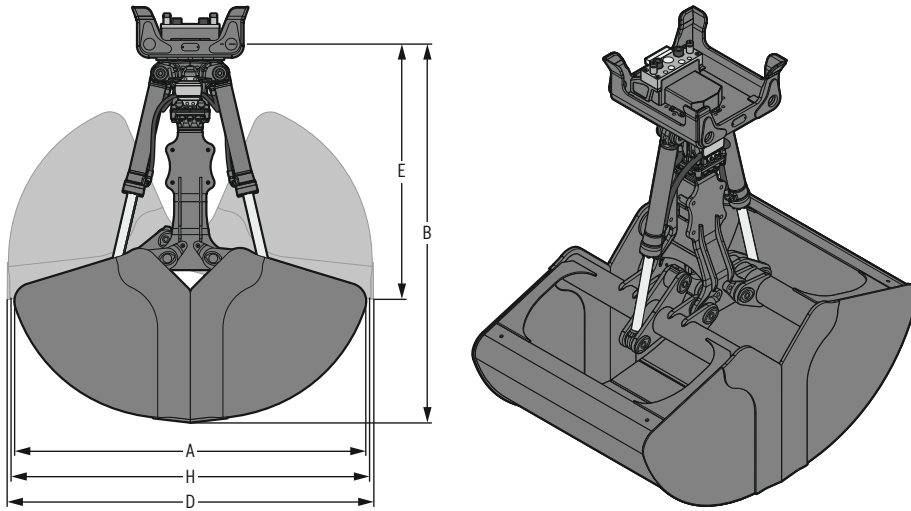
## Technical data

Lift capacity max.	Pressure max.	Grab open / close	Flow max.
33,069 lb	5,221 psi		66 gpm

<sup>1)</sup> for all MH 40 versions

# Clamshell grab GMZ 40

Shells for loose material, mounting MH 110<sup>1)</sup>, one-piece clamshell carrier



## Machine range

Material handling machine	LH 24 - LH 50	Weight class 44,092 - 110,231 lb
---------------------------	---------------	----------------------------------

## Dimensions / weights

Capacity	Shell width	Shell specification	Max. granule size	Max. material density	Shells closed		D Width	Shells open		H Opening width	Weight
					A Width	B Height		E Height			
yd <sup>3</sup>	ft in		in	lb/yd <sup>3</sup>	ft in	ft in	ft in	ft in	ft in	ft in	lb
2.75	3'11"	Standard		4,382	7'9"	8'4"	8'1"	5'8"	7'11"		3,814
3.27	4'11"	Standard		4,382	7'9"	8'4"	8'1"	5'8"	7'11"		4,134
3.92	5' 9"	Standard	1.6"	3,371	7'9"	8'4"	8'1"	5'8"	7'11"		4,398
4.58	6' 3"	Standard	1.6"	3,371	7'9"	8'4"	8'1"	5'8"	7'11"		4,564
5.23	7' 1"	Standard	1.6"	1,854	7'9"	8'4"	8'1"	5'8"	7'11"		5,137
5.88	8' 2"	Standard	1.6"	1,854	7'9"	8'4"	8'1"	5'8"	7'11"		5,478
1.57	3'11"	Wide		4,382	6'	7'7"	6'5"	5'7"	6' 3"		3,373
1.96	4'11"	Wide		4,382	6'	7'7"	6'5"	5'7"	6' 3"		3,649
2.29	5' 9"	Wide	1.6"	3,371	6'	7'7"	6'5"	5'7"	6' 3"		3,880
2.62	6' 7"	Wide	1.6"	3,371	6'	7'7"	6'5"	5'7"	6' 3"		4,112
2.94	7' 5"	Wide	1.6"	1,854	6'	7'7"	6'5"	5'7"	6' 3"		4,497
3.27	8' 2"	Wide	1.6"	1,854	6'	7'7"	6'5"	5'7"	6' 3"		4,729

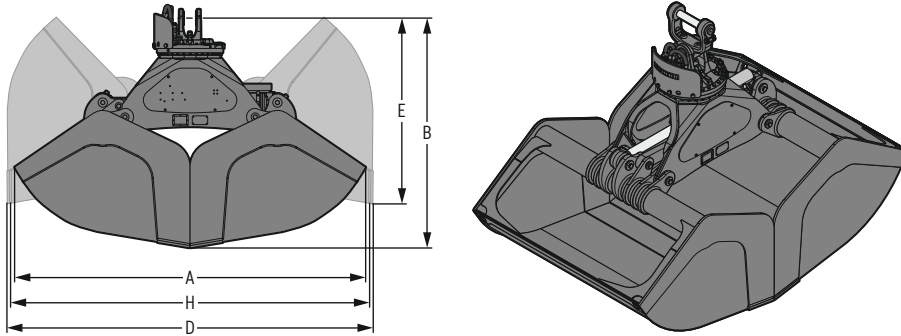
## Technical data

Lift capacity max.	Pressure max.	Grab open / close	Flow max.
33,069 lb	5,221 psi		66 gpm

<sup>1)</sup> for all MH 110 versions

# Clamshell grab GMZ 50

Shells for loose material, one-piece clamshell carrier



## Machine range

Material handling machine	LH 40 - LH 150	Weight class 79,366 - 330,693 lb
---------------------------	----------------	----------------------------------

## Dimensions / weights

Capacity	Shell width	Max. granule size	Max. material density	Shells closed		D Width	Shells open		H Opening width	Weight <sup>1)</sup>	
				A Width	B Height		E Height	without suspension		with XHD suspension	
yd <sup>3</sup>	ft in	in	lb/yd <sup>3</sup>	ft in	ft in	ft in	ft in	ft in	lb	lb	
4.58	4' 7"	0.8"	2,697	10'7"	7'	11'1"	5'7"	10'10"	5,578	5,765	
5.23	5' 3"	0.8"	2,697	10'7"	7'	11'1"	5'7"	10'10"	5,875	6,063	
5.88	5'11"	0.8"	1,854	10'7"	7'	11'1"	5'7"	10'10"	6,041	6,228	

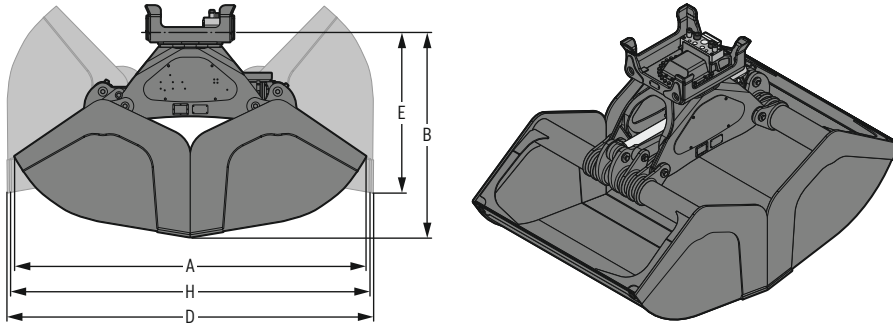
<sup>1)</sup> the weight may vary depending on the suspension

## Technical data

Lift capacity max.	Pressure max.	Grab open / close Flow max.	Pressure max.	Grab turning Flow max.	Torque 2 motors 12.2 in <sup>3</sup>
66,139 lb	5,221 psi	79 gpm	2,176 psi	13 gpm	2,751 lbf ft

# Clamshell grab GMZ 50

Shells for loose material, mounting MH 110<sup>1)</sup>, one-piece clamshell carrier



## Machine range

Material handling machine	LH 40 - LH 150	Weight class 79,366 - 330,693 lb
---------------------------	----------------	----------------------------------

## Dimensions / weights

Capacity	Shell width	Max. granule size	Max. material density	Shells closed		D Width	Shells open		H Opening width	Weight
				A Width	B Height		E Height			
yd <sup>3</sup>	ft in	in	lb/yd <sup>3</sup>	ft in	ft in	ft in	ft in	ft in	lb	
4.58	4' 7"	0.8"	2,697	10'7"	6'2"	11'1"	4'10"	10'10"	5,467	
5.23	5' 3"	0.8"	2,697	10'7"	6'2"	11'1"	4'10"	10'10"	5,765	
5.88	5'11"	0.8"	1,854	10'7"	6'2"	11'1"	4'10"	10'10"	5,930	

## Technical data

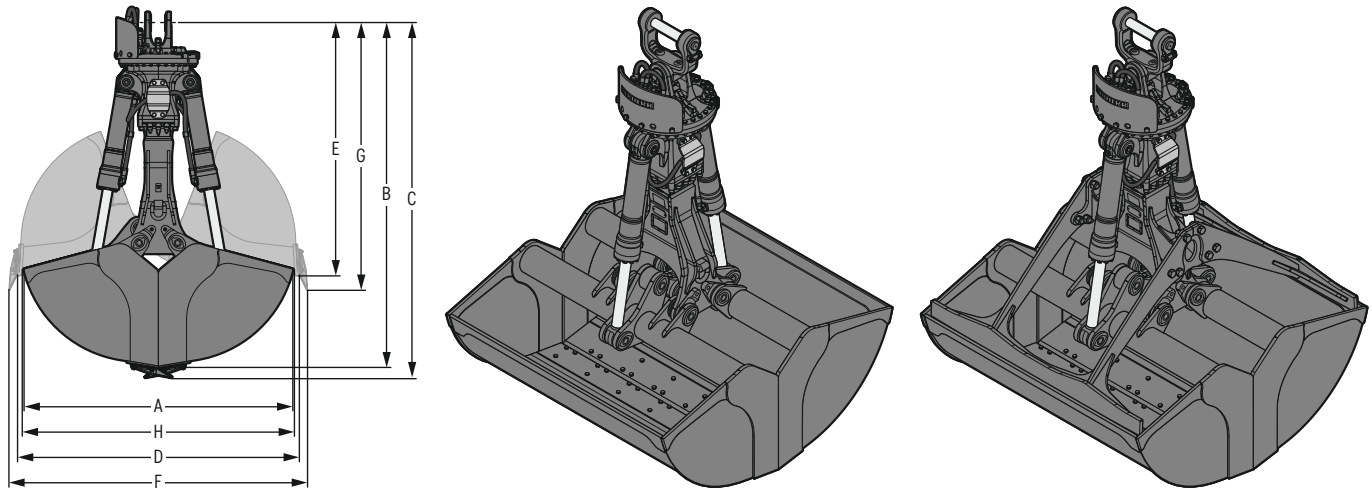
Lift capacity max.	Pressure max.	Grab open / close	Flow max.
66,139 lb	5,221 psi		79 gpm

<sup>1)</sup> for all MH 110 versions



# Clamshell grab GMZ 80

Clamshell buckets, one-piece clamshell carrier



## Machine range

Material handling machine	LH 40 - LH 110	Weight class 66,139 - 154,324 lb
Crawler excavator	R 930 - R 966	Weight class 66,139 - 154,324 lb

## Dimensions / weights

Capacity	Shell width	Number of teeth	Shells closed			D Width	E Height	Shells open		H Opening width	Weight <sup>1)</sup>	
			A Width	B Height	C Height with teeth			F Width with teeth	G Height with teeth		without suspension	with XHD suspension
yd <sup>3</sup>	ft in	Piece	ft in	ft in	ft in	ft in	ft in	ft in	ft in	ft in	lb	lb
1.83	3'11"	7	6'11"	8'10"	9'1"	7'3"	6'6"	7'8"	6'10"	7'	4,597	4,784
1.83	3'11"	0	6'11"	8'10"		7'3"	6'6"			7'	4,508	4,696
2.22	4' 7"	9	6'11"	8'10"	9'1"	7'3"	6'6"	7'8"	6'10"	7'	4,828	5,016
2.22	4' 7"	0	6'11"	8'10"		7'3"	6'6"			7'	4,718	4,905
2.62	5' 5"	11	6'11"	8'10"	9'1"	7'3"	6'6"	7'8"	6'10"	7'	5,137	5,324
2.62	5' 5"	0	6'11"	8'10"		7'3"	6'6"			7'	4,982	5,170
3.27	6' 7"	13	6'11"	8'10"	9'1"	7'3"	6'6"	7'8"	6'10"	7'	5,534	5,721
3.27	6' 7"	0	6'11"	8'10"		7'3"	6'6"			7'	5,368	5,556

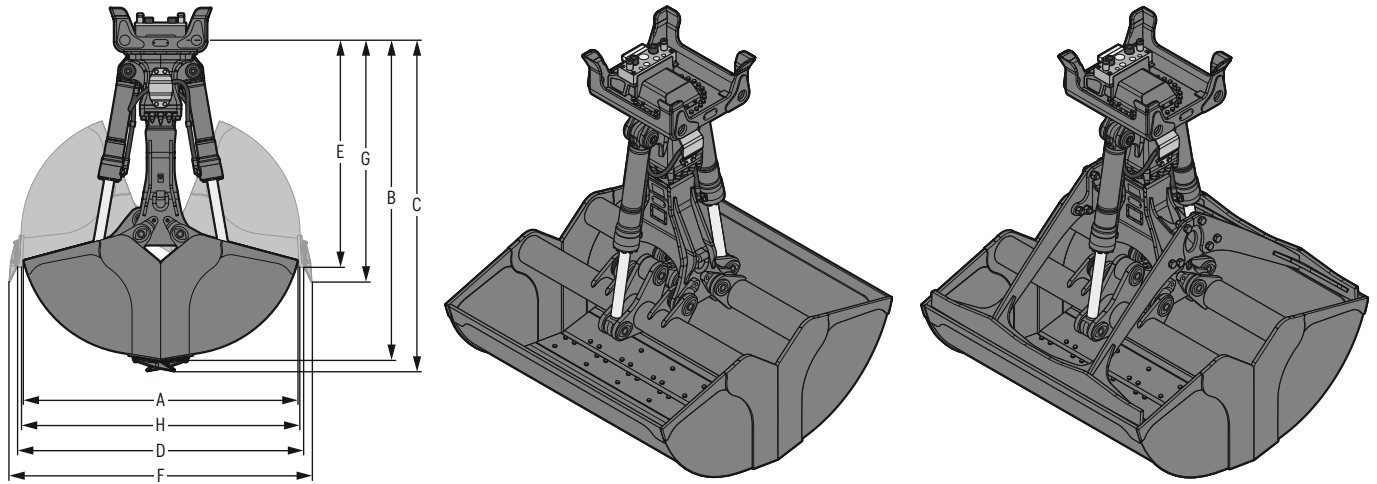
<sup>1)</sup> the weight may vary depending on the suspension

## Technical data

Lift capacity max.	Pressure max.	Grab open / close Flow max.	Pressure max.	Grab turning Flow max.	Torque 2 motors 12.2 in <sup>3</sup>
66,139 lb	5,221 psi	79 gpm	2,176 psi	13 gpm	2,751 lbf ft

# Clamshell grab GMZ 80

Clamshell buckets, mounting MH 110<sup>1)</sup>, one-piece clamshell carrier



## Machine range

Material handling machine	LH 40 - LH 110	Weight class 66,139 - 154,324 lb
Crawler excavator	R 930 - R 966	Weight class 66,139 - 154,324 lb

## Dimensions / weights

Capacity	Shell width	Number of teeth	Shells closed			D Width	E Height	Shells open		H Opening width	Weight
			A Width	B Height	C Height with teeth			F Width with teeth	G Height with teeth		
yd <sup>3</sup>	ft in	Piece	ft in	ft in	ft in	ft in	ft in	ft in	ft in	ft in	lb
1.83	3'11"	7	6'11"	8'1"	8'4"	7'3"	5'9"	7'8"	6'1"	7'	4,453
1.83	3'11"	0	6'11"	8'1"	8'4"	7'3"	5'9"	7'8"	6'1"	7'	4,365
2.22	4' 7"	9	6'11"	8'1"	8'4"	7'3"	5'9"	7'8"	6'1"	7'	4,685
2.22	4' 7"	0	6'11"	8'1"	8'4"	7'3"	5'9"	7'8"	6'1"	7'	4,575
2.62	5' 5"	11	6'11"	8'1"	8'4"	7'3"	5'9"	7'8"	6'1"	7'	4,993
2.62	5' 5"	0	6'11"	8'1"	8'4"	7'3"	5'9"	7'8"	6'1"	7'	4,839
3.27	6' 7"	13	6'11"	8'1"	8'4"	7'3"	5'9"	7'8"	6'1"	7'	5,390
3.27	6' 7"	0	6'11"	8'1"	8'4"	7'3"	5'9"	7'8"	6'1"	7'	5,225

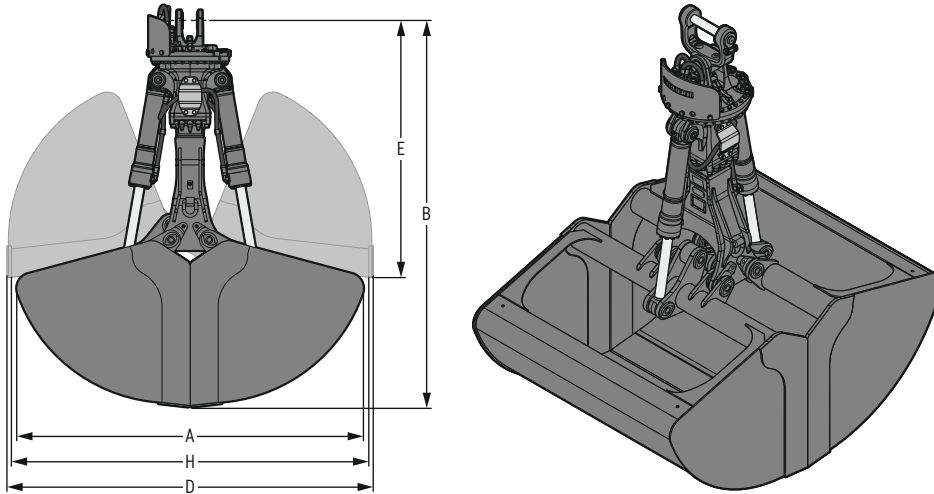
## Technical data

Lift capacity max.	Pressure max.	Grab open / close	Flow max.
66,139 lb	5,221 psi		79 gpm

<sup>1)</sup> for all MH 110 versions

# Clamshell grab GMZ 80

Shells for loose material, one-piece clamshell carrier



## Machine range

Material handling machine	LH 40 - LH 110	Weight class 66,139 - 242,508 lb
---------------------------	----------------	----------------------------------

## Dimensions / weights

Capacity	Shell width	Shell specification	Max. granule size	Max. material density	Shells closed		D Width	Shells open		Weight <sup>1)</sup>	
					A Width	B Height		E Height	H Opening width	without suspension	with XHD suspension
yd <sup>3</sup>	ft in		in	lb/yd <sup>3</sup>	ft in	ft in	ft in	ft in	ft in	lb	lb
3.92	4' 3"	Standard		4,382	8'11"	9'11"	9'5"	6'7"	9'2"	5,346	5,534
4.58	4'11"	Standard		4,382	8'11"	9'11"	9'5"	6'7"	9'2"	5,600	5,787
5.23	5' 9"	Standard		3,371	8'11"	9'11"	9'5"	6'7"	9'2"	5,930	6,118
5.88	6' 7"	Standard	1.6"	3,371	8'11"	9'11"	9'5"	6'7"	9'2"	6,250	6,437
6.54	7' 3"	Standard	1.6"	1,854	8'11"	9'11"	9'5"	6'7"	9'2"	6,989	7,176
7.85	8' 6"	Standard	1.6"	1,854	8'11"	9'11"	9'5"	6'7"	9'2"	7,507	7,694
9.15	9'10"	Standard	1.6"	1,348	8'11"	9'11"	9'5"	6'7"	9'2"	8,014	8,201
10.46	11'2"	Standard	1.6"	1,348	8'11"	9'11"	9'5"	6'7"	9'2"	8,532	8,719
2.62	4' 3"	Wide		4,382	7' 5"	9' 2"	7'11"	6'6"	7'8"	4,905	5,093
3.01	4'11"	Wide		4,382	7' 5"	9' 2"	7'11"	6'6"	7'8"	5,104	5,291
3.53	5' 7"	Wide		3,371	7' 5"	9' 2"	7'11"	6'6"	7'8"	5,401	5,589
3.92	6' 7"	Wide	1.6"	1,854	7' 5"	9' 2"	7'11"	6'6"	7'8"	5,699	5,886
4.45	7' 3"	Wide	1.6"	1,854	7' 5"	9' 2"	7'11"	6'6"	7'8"	6,195	6,382

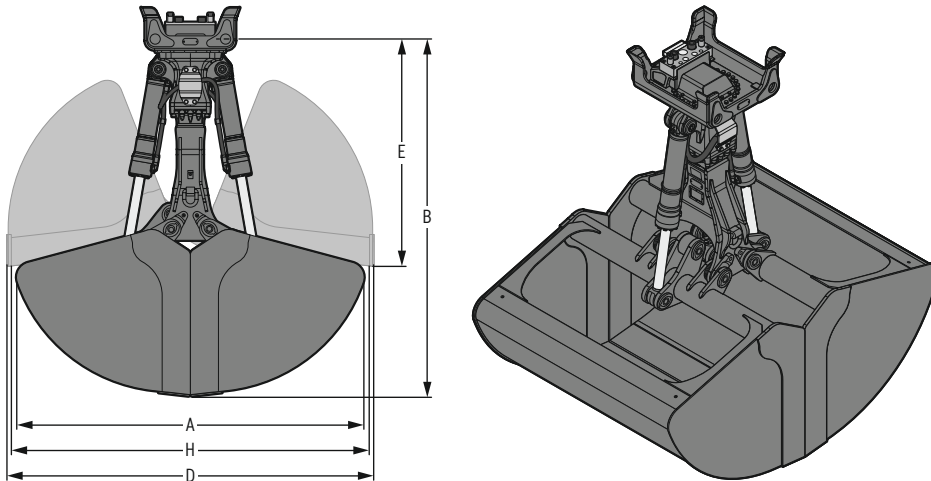
<sup>1)</sup> the weight may vary depending on the suspension

## Technical data

Lift capacity max.	Pressure max.	Grab open / close Flow max.	Grab turning Pressure max.	Flow max.	Torque 2 motors 12.2 in <sup>3</sup>
66,139 lb	5,221 psi	79 gpm	2,176 psi	13 gpm	2,751 lbf ft

# Clamshell grab GMZ 80

Shells for loose material, mounting MH 110<sup>1)</sup>, one-piece clamshell carrier



## Machine range

Material handling machine	LH 40 - LH 110	Weight class 66,139 - 242,508 lb
---------------------------	----------------	----------------------------------

## Dimensions / weights

Capacity	Shell width	Shell specification	Max. granule size	Max. material density	Shells closed		Shells open			Weight
					A Width	B Height	D Width	E Height	H Opening width	
yd <sup>3</sup>	ft in		in	lb/yd <sup>3</sup>	ft in	ft in	ft in	ft in	ft in	lb
3.92	4' 3"	Standard		4,382	8'11"	9'2"	9'5"	5'10"	9'2"	5,203
4.58	4'11"	Standard		4,382	8'11"	9'2"	9'5"	5'10"	9'2"	5,456
5.23	5' 9"	Standard		3,371	8'11"	9'2"	9'5"	5'10"	9'2"	5,787
5.88	6' 7"	Standard	1.6"	3,371	8'11"	9'2"	9'5"	5'10"	9'2"	6,107
6.54	7' 3"	Standard	1.6"	1,854	8'11"	9'2"	9'5"	5'10"	9'2"	6,845
7.85	8' 6"	Standard	1.6"	1,854	8'11"	9'2"	9'5"	5'10"	9'2"	7,363
9.15	9'10"	Standard	1.6"	1,348	8'11"	9'2"	9'5"	5'10"	9'2"	7,871
10.46	11'2"	Standard	1.6"	1,348	8'11"	9'2"	9'5"	5'10"	9'2"	8,389
2.62	4' 3"	Wide		4,382	7' 5"	8'5"	7'11"	5' 9"	7'8"	4,762
3.01	4'11"	Wide		4,382	7' 5"	8'5"	7'11"	5' 9"	7'8"	4,960
3.53	5' 7"	Wide		3,371	7' 5"	8'5"	7'11"	5' 9"	7'8"	5,258
3.92	6' 7"	Wide	1.6"	1,854	7' 5"	8'5"	7'11"	5' 9"	7'8"	5,556
4.45	7' 3"	Wide	1.6"	1,854	7' 5"	8'5"	7'11"	5' 9"	7'8"	6,052

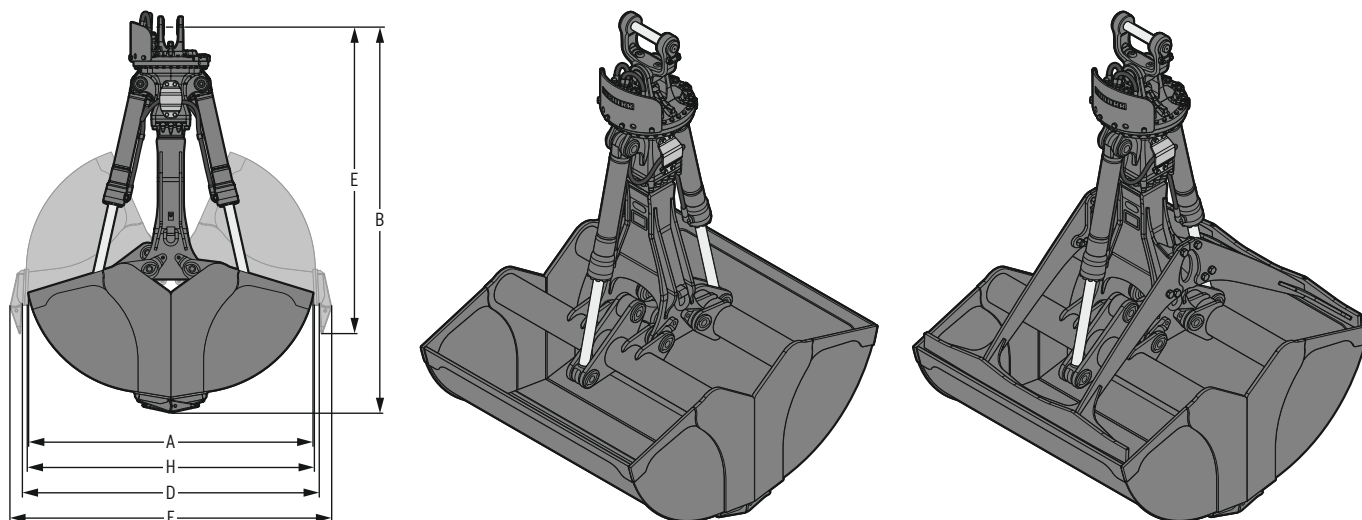
## Technical data

Lift capacity max.	Pressure max.	Grab open / close	Flow max.
66,139 lb	5,221 psi		79 gpm

<sup>1)</sup> for all MH 110 versions

# Clamshell grab GMZ 120

Clamshell buckets, one-piece clamshell carrier



## Machine range

Material handling machine	LH 60 - LH 150	Weight class 121,254 - 330,693 lb
Crawler excavator	R 956 - R 970 SME	Weight class 110,231 - 176,370 lb

## Dimensions / weights

Capacity	Shell width	Number of teeth	Shells closed			D Width	E Height	Shells open		H Opening width	Weight <sup>1)</sup>	
			A Width	B Height	C Height with teeth			F Width with teeth	G Height with teeth		without suspension	with XHD suspension
yd <sup>3</sup>	ft in	Piece	ft in	ft in	ft in	ft in	ft in	ft in	ft in	ft in	lb	lb
4.18	6'7"	0	7'8"	10'		8'	7'6"			7'9"	6,371	6,559
4.18	6'7"	9	7'8"	10'	10'4"	8'	7'6"	8'8"	8'3"	7'9"	6,889	7,077

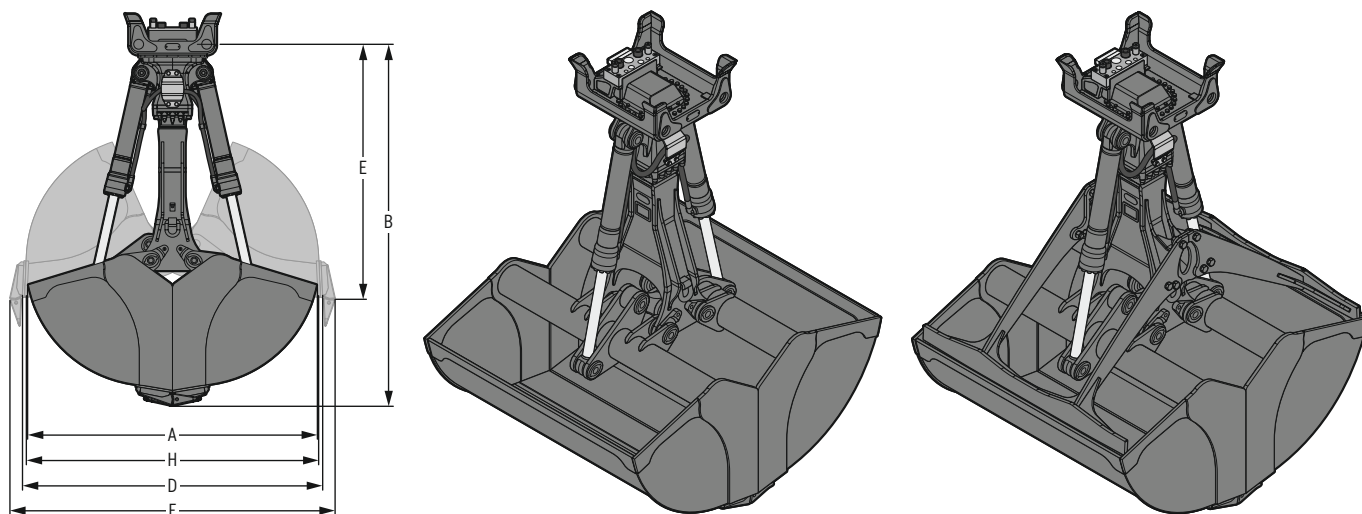
<sup>1)</sup> the weight may vary depending on the suspension

## Technical data

Lift capacity max.	Pressure max.	Grab open / close Flow max.	Grab turning Pressure max.	Grab turning Flow max.	Torque 2 motors 12.2 in <sup>3</sup>
66,139 lb	5,221 psi	79 gpm	2,176 psi	13 gpm	2,751 lbf ft

# Clamshell grab GMZ 120

Clamshell buckets, mounting MH 110<sup>1)</sup>, one-piece clamshell carrier



## Machine range

Material handling machine	LH 60 - LH 150	Weight class 121,254 - 330,693 lb
Crawler excavator	R 956 - R 970 SME	Weight class 110,231 - 176,370 lb

## Dimensions / weights

Capacity	Shell width	Number of teeth	Shells closed			D Width	E Height	Shells open		H Opening width	Weight
			A Width	B Height	C Height with teeth			F Width with teeth	G Height with teeth		
yd <sup>3</sup>	ft in	Piece	ft in	ft in	ft in	ft in	ft in	ft in	ft in	ft in	lb
4.18	6'7"	0	7'8"	9'3"		8'	6'9"		7'9"		6,228
4.18	6'7"	9	7'8"	9'3"	9'7"	8'	6'9"	8'8"	7'6"	7'9"	6,746

## Technical data

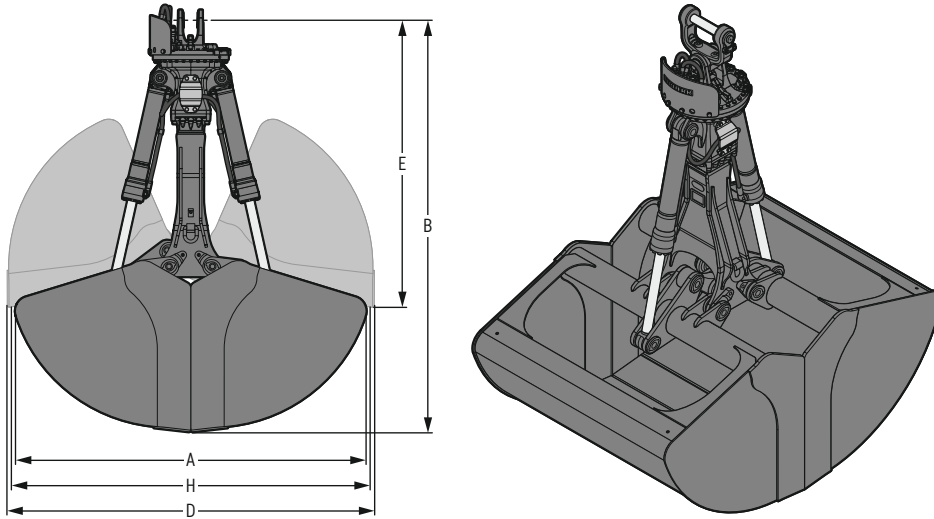
Lift capacity max.	Pressure max.	Grab open / close	Flow max.
66,139 lb	5,221 psi		79 gpm

<sup>1)</sup> for all MH 110 versions



# Clamshell grab GMZ 120

Shells for loose material, one-piece clamshell carrier



## Machine range

Material handling machine	LH 60 - LH 150	Weight class 121,254 - 330,693 lb
---------------------------	----------------	-----------------------------------

## Dimensions / weights

Capacity	Shell width	Max. granule size	Max. material density	Shells closed		D Width	Shells open		H Opening width	Weight <sup>1)</sup>	
				A Width	B Height		E Height	without suspension		with XHD suspension	
yd <sup>3</sup>	ft in	in	lb/yd <sup>3</sup>	ft in	ft in	ft in	ft in	ft in	lb	lb	
5.23	5' 3"		4,382	9'3"	10'11"	9'9"	7'7"	9'6"	6,437	6,625	
5.88	5'11"		4,382	9'3"	10'11"	9'9"	7'7"	9'6"	6,735	6,923	
6.54	6' 7"	1.6"	3,371	9'3"	10'11"	9'9"	7'7"	9'6"	7,044	7,231	
7.19	7' 3"	1.6"	3,371	9'3"	10'11"	9'9"	7'7"	9'6"	7,815	8,003	
7.85	7'10"	1.6"	1,854	9'3"	10'11"	9'9"	7'7"	9'6"	8,135	8,322	
9.15	9' 2"	1.6"	1,854	9'3"	10'11"	9'9"	7'7"	9'6"	8,719	8,907	
10.46	10' 6"	1.6"	1,348	9'3"	10'11"	9'9"	7'7"	9'6"	9,359	9,546	

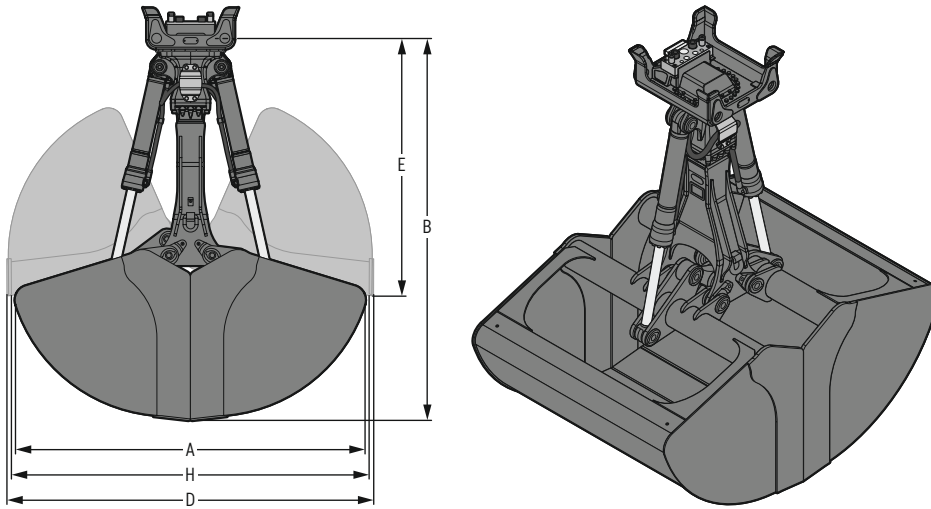
<sup>1)</sup> the weight may vary depending on the suspension

## Technical data

Lift capacity max.	Pressure max.	Grab open / close Flow max.	Grab turning Pressure max.	Flow max.	Torque 2 motors 12.2 in <sup>3</sup>
66,139 lb	5,221 psi	79 gpm	2,176 psi	13 gpm	2,751 lbf ft

# Clamshell grab GMZ 120

Shells for loose material, mounting MH 110<sup>1)</sup>, one-piece clamshell carrier



## Machine range

Material handling machine	LH 60 - LH 150	Weight class 121,254 - 330,693 lb
---------------------------	----------------	-----------------------------------

## Dimensions / weights

Capacity	Shell width	Max. granule size	Max. material density	Shells closed		D Width	Shells open		H Opening width	Weight
				A Width	B Height		E Height			
yd <sup>3</sup>	ft in	in	lb/yd <sup>3</sup>	ft in	ft in	ft in	ft in	ft in	lb	
5.23	5' 3"		4,382	9'3"	10'2"	9'9"	6'10"	9'6"	6,294	
5.88	5'11"		4,382	9'3"	10'2"	9'9"	6'10"	9'6"	6,592	
6.54	6' 7"	1.6"	3,371	9'3"	10'2"	9'9"	6'10"	9'6"	6,900	
7.19	7' 3"	1.6"	3,371	9'3"	10'2"	9'9"	6'10"	9'6"	7,672	
7.85	7'10"	1.6"	1,854	9'3"	10'2"	9'9"	6'10"	9'6"	8,278	
9.15	9' 2"	1.6"	1,854	9'3"	10'2"	9'9"	6'10"	9'6"	8,576	
10.46	10' 6"	1.6"	1,348	9'3"	10'2"	9'9"	6'10"	9'6"	9,215	

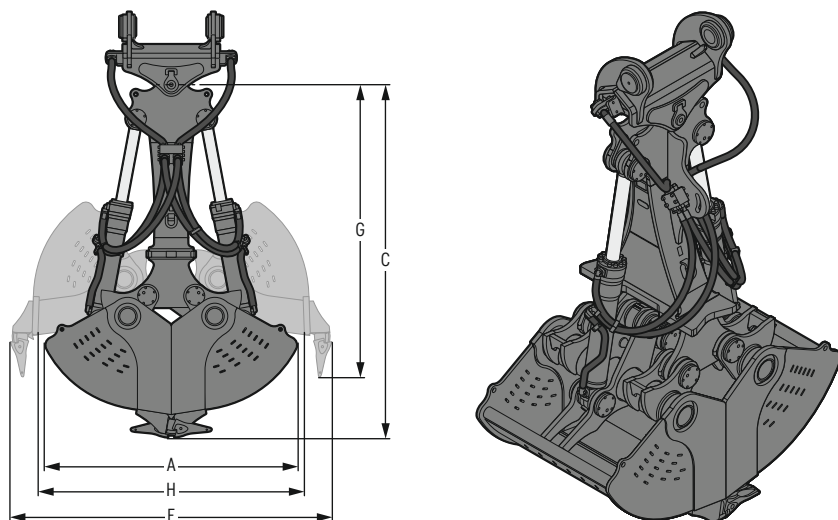
## Technical data

Lift capacity max.	Pressure max.	Grab open / close	Flow max.
66,139 lb	5,221 psi		79 gpm

<sup>1)</sup> for all MH 110 versions

# Clamshell grab GMZ 180

Clamshell buckets, one-piece clamshell carrier



## Machine range

Material handling machine	LH 60 - LH 150	Weight class 176,370 - 440,925 lb
Crawler excavator	R 976 - R 9200	Weight class 176,370 - 440,925 lb

## Dimensions / weights

Capacity	Shell width	Number of teeth	Shell specification	Shells closed		D Width	E Height	Shells open		H Opening width	Weight <sup>1)</sup>	
				A Width	B Height			F Width with teeth	G Height with teeth		without suspension	with special suspension
2.62 yd <sup>3</sup>	4'11"	4 Pieces	Special	8'6"	12'			10'11"	9'11"	9'	14,925 lb	16,138 lb

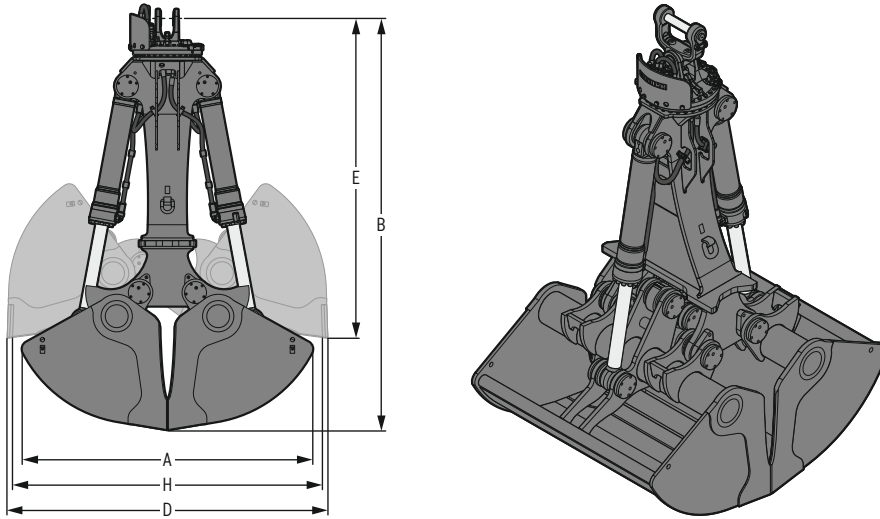
<sup>1)</sup> the weight may vary depending on the suspension

## Technical data

Lift capacity max.	Pressure max.	Grab open / close	Flow max.
110,231 lb	5,221 psi		106 gpm

# Clamshell grab GMZ 180B

Special shells, one-piece clamshell carrier



## Machine range

Material handling machine	LH 60 - LH 150	Weight class 176,370 - 440,925 lb
Crawler excavator	R 976 - R 9200	Weight class 176,370 - 440,925 lb

## Dimensions / weights

Capacity	Shell width	Number of teeth	Shell specification	Shells closed		C Height with teeth	D Width	E Height	Shells open		Weight <sup>1)</sup>		
				A Width	B Height				F Width with teeth	G Height with teeth	H Opening width	without suspension	with XHD suspension
3.92 yd <sup>3</sup>	6'7"	0 Pieces	Special	8'6"	12'		9'4"	9'4"			9'	13,283 lb	13,470 lb

<sup>1)</sup> the weight may vary depending on the suspension

## Technical data

Lift capacity max.	Pressure max.	Grab open / close Flow max.	Pressure max.	Grab turning Flow max.	Torque 2 motors 12.2 in <sup>3</sup>
66,139 lb	5,221 psi	106 gpm	2,176 psi	13 gpm	2,751 lbf ft

# Guide values for bulk goods weights

	lb/yd <sup>3</sup>
<b>Coke</b>	843
<b>Wood chips / sawdust</b>	843
<b>Paper</b>	
shredded / loose	1,011
waste paper / cardboard	1,686
<b>Compost</b>	
dry	1,348
wet	1,686
<b>Cereal crops</b>	1,517
<b>Coal</b>	
light material density	1,517
heavy material density	2,023
<b>Glass waste</b>	
solid	1,686
broken	2,360
<b>Topsoil</b>	1,854
<b>Fertilizers</b>	2,191

	lb/yd <sup>3</sup>
<b>Earth</b>	
dry	2,191
wet excavated	2,697
<b>Clay / gravel</b>	
dry	2,360
wet	2,697
<b>Clay</b>	
hard	2,360
natural	2,697
<b>Bauxite</b>	2,360
<b>Gravel</b>	
crushed stone	2,528
dry	2,697
moist	3,203
<b>Sand</b>	
dry	2,528
wet	3,203
<b>Sandstone</b>	2,697

	lb/yd <sup>3</sup>
<b>Sand / clay</b>	2,697
<b>Limestone</b>	2,697
<b>Gravel and sand</b>	
dry	2,865
wet	3,371
<b>Slate</b>	2,950
<b>Granite</b>	3,034
<b>Gypsum</b>	
broken	3,034
<b>Slag</b>	
broken	3,034
<b>Basalt</b>	3,287

# Equipment

## Suspension

	GM 5B Clamshell buckets	GM 8B Clamshell buckets	GMZ 22 Clamshell buckets	GMZ 22 Combination buckets	GMZ 22 Track construction buckets	GMZ 24 Clamshell buckets	GMZ 24 Clamshell buckets SW	GMZ 24 Round hole shells	GMZ 30 Clamshell buckets	GMZ 40 Clamshell buckets	GMZ 80 Clamshell buckets	GMZ 120 Clamshell buckets	GMZ 180 Clamshell buckets	GMZ 180B Special shells	GM 8B Shells for loose material	GMZ 26 Shells for loose material	GMZ 40 Shells for loose material	GMZ 50 Shells for loose material	GMZ 80 Shells for loose material	GMZ 120 Shells for loose material
Suspension for direct mounting	●	●	●	●	●	●	●	●	●	●	●	●	●	●	●	●	●	●	●	●
SW suspension separable for direct mounting <sup>1)</sup>		+	+	+	+	+	+	+	+	+	+	+	+	+	+	+	+	+	+	+
Suspension for industrial SWA mechanical		+	+	+	+	+	+	+	+	+	+	+	+	+	+	+	+	+	+	+
Suspension for SW industrial stick (hydraulic)		+	+	+	+	+	+	+	+	+	+	+	+	+	+	+	+	+	+	+
MH 40 LIKUFIX <sup>2)</sup>						+	+	+	+	+	+	+	+	+	+	+	+	+	+	+
MH 110 LIKUFIX <sup>2)</sup>						+	+	+	+	+	+	+	+	+	+	+	+	+	+	+
Screw coupling	●	●	●	●	●	●	●	●	●	●	●	●	●	●	●	●	●	●	●	●
Multi coupling system		+	+	+	+	+	+	+	+	+	+	+	+	+	+	+	+	+	+	+
SWA 33 mechanical	+	+	+	+	+	+	+	+	+	+	+	+	+	+	+	+	+	+	+	+
SWA 33 hydraulic	+	+	+	+	+	+	+	+	+	+	+	+	+	+	+	+	+	+	+	+
SWA 33 LIKUFIX	+	+	+	+	+	+	+	+	+	+	+	+	+	+	+	+	+	+	+	+
SWA 48 mechanical	+	+	+	+	+	+	+	+	+	+	+	+	+	+	+	+	+	+	+	+
SWA 48 hydraulic	+	+	+	+	+	+	+	+	+	+	+	+	+	+	+	+	+	+	+	+
SWA 48 LIKUFIX	+	+	+	+	+	+	+	+	+	+	+	+	+	+	+	+	+	+	+	+
SWA 66 mechanical									+	+	+	+	+	+	+	+	+	+	+	+
SWA 66 hydraulic									+	+	+	+	+	+	+	+	+	+	+	+
SWA 66 LIKUFIX									+	+	+	+	+	+	+	+	+	+	+	+
SWA 77 mechanical											+	+	+	+	+	+	+	+	+	+
SWA 77 hydraulic											+	+	+	+	+	+	+	+	+	+
SWA 92 mechanical											+	+	+	+	+	+	+	+	+	+
SWA 92 hydraulic											+	+	+	+	+	+	+	+	+	+
Tool Management <sup>3)</sup>		+	+	+	+	+	+	+	+	+	+	+	+	+	+	+	+	+	+	+

Other conventional suspension types for all main machine makes available on request.

## Grab

1 motor 12.2 in <sup>3</sup>	●	●	●	●	●	●	●	●	●	●	●	●	●	●	●	●	●	●	●	●
1 motor 19.2 in <sup>3</sup>			+	+	+	+	+	+	+	+	+	+	+	+	+	+	+	+	+	+
2 motors 12.2 in <sup>3</sup>			+	+	+	+	+	+	+	+	●	●	●	●	●	●	●	●	●	●
2 motors 19.2 in <sup>3</sup>			+	+	+	+	+	+	+	+	+	+	+	+	+	+	+	+	+	+
Soft start																				
Motor guard			+	+	+	+	+	+	+	+	●	●	●	●	●	●	●	●	●	●
Clamshell carrier splitted	●	●	●	●	●	●	●	●	●	●	●	●	●	●	●	●	●	●	●	●
Clamshell carrier splitted SW							●													
Clamshell carrier single-piece										●	●	●	●	●	●	●	●	●	●	●
Cylinder hose protection																				
Protection for piston rod			●	●	●	+	+	+	●	+	+	+	+	+	+	+	+	+	+	+
Water sprinkling system																				
Water slits													●							
Ejector		+	+	+	+	+	+		+	+	+	+	+	+	+	+	+	+	+	+
Internal web (side reinforcement)											+	+	+	+	+	+	+	+	+	+
Shell cover																+	+	+	+	+
Central lubrication system (from the carrier machine) <sup>4)</sup>										+	+	+	+	+	+	+	+	+	+	+
Lashing eyelets			+	+	+	+5)		+6)	+		●	●	●	●						
Sealing kit																+	+	+	+	+
Bolt-on cutting edge											+	+	+	+	+	+	+	+	+	+
Teeth	+	+	+	+	+	+	+	+	+	+	+	+	+	+	+	+	+	+	+	+
Grapple extension	+	+	+	+	+	+	+	+	+	+	+	+	●							

<sup>1)</sup> possible for all LH machines, only for machines from other manufacturers by agreement

<sup>2)</sup> for all MH 40/MH 110 versions

<sup>3)</sup> only possible for SWA 48 LIKUFIX and SWA 66 LIKUFIX

<sup>4)</sup> not possible with LIKUFIX

<sup>5)</sup> possible for shell width from 2'

<sup>6)</sup> possible for shell diameter from 3'3"

● = Standard, + = Option

## Liebherr USA, Co.

Construction Equipment Division • 4800 Chestnut Avenue • Newport News, VA 23607, USA • Phone +1 (757) 240 4250  
 construction.usa@liebherr.com • www.liebherr.us • www.facebook.com/LiebherrConstruction