



## Installation Guide

Quality, Design and Innovation



[home.liebherr.com/fridge-manuals](http://home.liebherr.com/fridge-manuals)



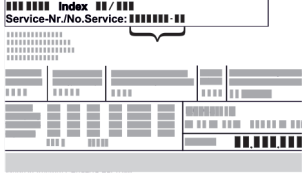






# LIEBHERR

# General safety instructions

## Contents

<b>1</b>	<b>General safety instructions.....</b>	<b>2</b>	<b>13.6</b>	Installing the base.....	22
<b>2</b>	<b>Setup conditions.....</b>	<b>3</b>	<b>13.7</b>	Fastening the appliance in the recess.....	22
2.1	Setup location.....	3	<b>14</b>	<b>Installing the unit door.....</b>	<b>22</b>
2.2	Electrical connection.....	3	<b>15</b>	<b>Connecting the appliance to the power supply....</b>	<b>24</b>
<b>3</b>	<b>Appliance dimensions.....</b>	<b>4</b>	The manufacturer is constantly working to improve all types and models. Therefore, please be aware that we reserve the right to make changes to the shape, equipment and technology.		
<b>4</b>	<b>Recess dimensions.....</b>	<b>4</b>			
<b>5</b>	<b>Cabinet front.....</b>	<b>4</b>			
5.1	Weight of cabinet front.....	4			
5.2	Cabinet door.....	5			
5.3	Cabinet front dimensions.....	5			
5.4	Profile frame dimensions.....	5			
5.5	Adjusting the gap dimension without collision.....	5			
<b>6</b>	<b>Transporting the appliance.....</b>	<b>6</b>			
<b>7</b>	<b>Unpacking the appliance.....</b>	<b>6</b>			
<b>8</b>	<b>After setup.....</b>	<b>6</b>			
<b>9</b>	<b>Disposal of packaging.....</b>	<b>6</b>			
<b>10</b>	<b>Changing the door hinge with bearing bracket hinge.....</b>	<b>6</b>			
10.1	Safety instructions.....	6			
10.2	Tool.....	6			
10.3	Removing the covers.....	6			
10.4	Removing the door.....	7			
10.5	Removing the hinge.....	7			
10.6	Moving the top cover.....	8			
10.7	Moving the bottom cover.....	8			
10.8	Moving the door stopper.....	9			
10.9	Attaching the hinges.....	9			
10.10	Moving the top bracket.....	9			
10.11	Moving the bottom bracket.....	10			
10.12	Installing the door.....	10			
10.13	Putting on the covers.....	11			
<b>11</b>	<b>Changing the door hinge with multi-joint hinge (not suitable for decoration).....</b>	<b>11</b>			
11.1	Safety instructions.....	11			
11.2	Tool.....	11			
11.3	Removing the covers.....	11			
11.4	Removing the door.....	12			
11.5	Removing the hinge.....	13			
11.6	Moving the covers.....	13			
11.7	Moving the door stopper.....	13			
11.8	Attaching the hinges.....	14			
11.9	Moving the top bracket.....	14			
11.10	Moving the bottom bracket.....	15			
11.11	Installing the door.....	15			
11.12	Putting on the covers.....	15			
<b>12</b>	<b>Changing the door hinge with multi-joint hinge (suitable for decoration).....</b>	<b>16</b>			
12.1	Safety instructions.....	16			
12.2	Tool.....	16			
12.3	Removing the covers.....	16			
12.4	Removing the door.....	17			
12.5	Removing the hinge.....	17			
12.6	Moving the door stopper.....	18			
12.7	Attaching the hinges.....	18			
12.8	Moving the top bracket.....	19			
12.9	Moving the bottom bracket.....	19			
12.10	Installing the door.....	20			
12.11	Putting on the covers.....	20			
<b>13</b>	<b>Recessed installation.....</b>	<b>20</b>			
13.1	Tool.....	20			
13.2	Preparing the appliance.....	21			
13.3	Ceiling fastening.....	21			
13.4	Lateral fastening.....	21			
13.5	Aligning the appliance.....	21			

Symbol	Explanation
	<p><b>Read instructions</b></p> <p>Please read the information in these instructions carefully to understand all of the benefits of your new appliance.</p>
	<p><b>Additional information online</b></p> <p>The digital manual with supplemental information and in additional languages can be found online by scanning the QR code on the front page of this manual or by entering the service number at <a href="http://home.liebherr.com/fridge-manuals">home.liebherr.com/fridge-manuals</a>.</p> <p>The service number can be found on the serial tag:</p>  <p style="text-align: right;"><i>Fig. Example illustration</i></p>
	<p><b>Check appliance</b></p> <p>Check all parts for transport damage. If you have any complaints, please contact your agent or customer service.</p>
	<p><b>Differences</b></p> <p>These instructions apply to a range of models, so there may be differences. Sections that apply to certain models only are indicated by an asterisk (*).</p>
	<p><b>Instructions and results</b></p> <p>Instructions are marked with a ▶.</p> <p>Results are marked with a ▷.</p>
	<p><b>Videos</b></p> <p>Videos about the appliances are available on the YouTube channel of Liebherr-Hausgeräte.</p>

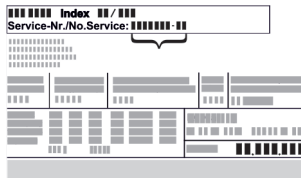
### Open-source licenses:

The appliance includes software components that make use of open-source licenses. You can find information on the open-source licenses to be used here: [home.liebherr.com/open-source-licenses](http://home.liebherr.com/open-source-licenses)

## 1 General safety instructions

- Please keep this assembly manual in a safe place so you can refer back to it at any time.
- If you pass the appliance on, please hand this assembly manual to the new owner.

- Read this assembly manual before installation and use in order to use the appliance safely and correctly. Follow the instructions, safety instructions and warning messages included at all times. They are important for ensuring you can operate and install the appliance safely and without any problems.
- First read the general safety instructions in the “General safety instructions” section of the **operating instructions**, which accompany these installation instructions, and follow them. If you cannot find the **operating instructions**, you can download the **operating instructions** from the internet by entering the service number at [home.liebherr.com/fridge-manuals](http://home.liebherr.com/fridge-manuals). The service number can be found on the serial



tag:

- **Observe the warning messages and other detailed information in the other sections when installing the appliance:**

	DANGER	indicates a hazardous situation, which if not avoided, will result in death or serious injury.
	WARNING	indicates a hazardous situation, which if not avoided, could result in death or serious injury.
	CAUTION	indicates a hazardous situation, which if not avoided, will result in minor or moderate injury.
	NOTICE	indicates a hazardous situation, which if not avoided, could result in damage to property.
	Note	indicates useful advice and tips.

## 2 Setup conditions

### WARNING

Risk of fire due to moisture!

If live parts or the power cord get wet, this can cause a short circuit.

- The appliance is designed for use in enclosed spaces. Do not operate the appliance in open space or in damp areas or where there is spray.

## 2.1 Setup location

### WARNING

Leaking refrigerant and oil!

Fire. The refrigerant contained within the appliance is environmentally friendly, but flammable. The oil contained within the appliance is flammable. Escaping refrigerant and oil can ignite if they are of high enough concentration and are exposed to an external heat source.

- Do not damage the pipelines of the coolant circuit and the compressor.

- Do not setup the appliance in direct sunlight, next to an oven, radiator or similar.
- The best place to set up the appliance is a dry and well ventilated room.
- If the appliance is set up in a very humid environment, condensation can form on the outside of the appliance. Always ensure sufficient airflow and ventilation in the setup location.
- The more refrigerant there is in the appliance, the larger the space it is installed in must be. If the space is too small, any leak may create a flammable mixture of gas and air. For every 8 g of refrigerant, the installation space must be at least 1 m<sup>3</sup>. Specifications on the refrigerant in the appliance can be found on the serial tag plate inside the appliance.
- The floor of the setup location must be horizontal and even.
- The setup location must be able to withstand the weight of the appliance plus the weight when stocked to maximum capacity.
- Use in hazardous areas is not permitted.

## 2.2 Electrical connection

### WARNING

Danger of fire due to incorrect positioning!

- Make sure the power supply cable is not trapped under the appliance when you position the appliance.
- Position the appliance so that it does not touch the plug or power supply cable.
- Do not connect any appliances to sockets in the area to the back of the appliance.
- Do **not** place and operate power strips/power distributors and other electronic devices (such as halogen transformers) at the back of the appliances.

# Appliance dimensions

## 3 Appliance dimensions

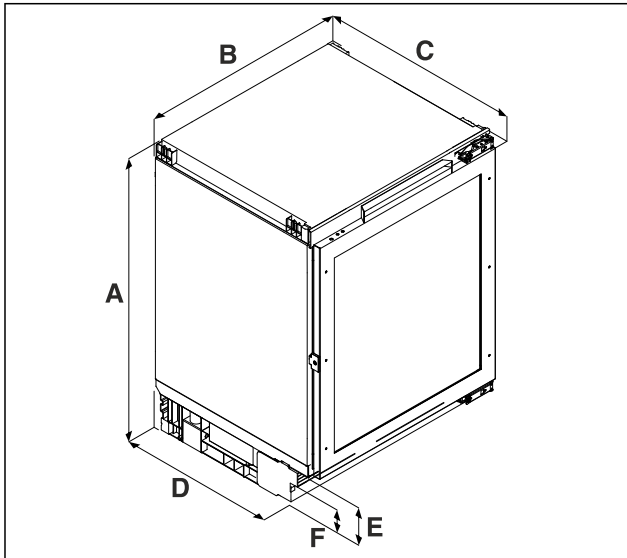


Fig. 1 Example illustration

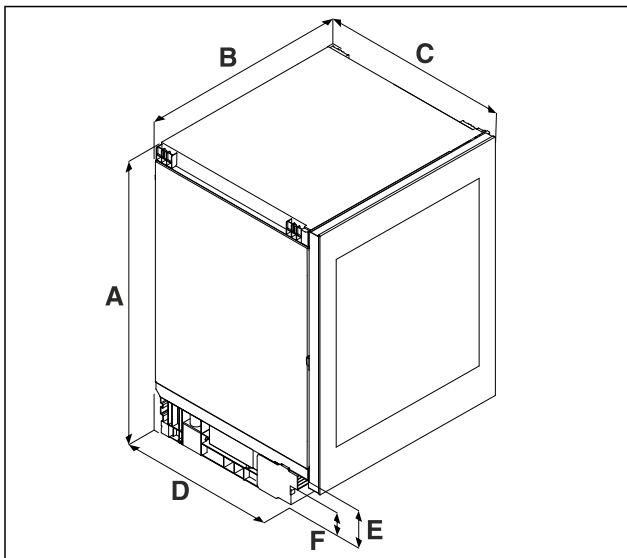


Fig. 1 Example illustration

- (A) Appliance height including feet  
 (B) Appliance width  
 (C) Appliance depth

	.. 36..	.. 37..
A	820 mm to 880 mm	860 mm to 920 mm
B	597 mm	
C	<b>UW..pr:</b> 560 mm <b>UW..gb:*</b> 575 mm	
D	459 mm	
E	104 mm to 164 mm	
F	61.5 mm to 121.5 mm	

A) Appliance type designation

## 4 Recess dimensions

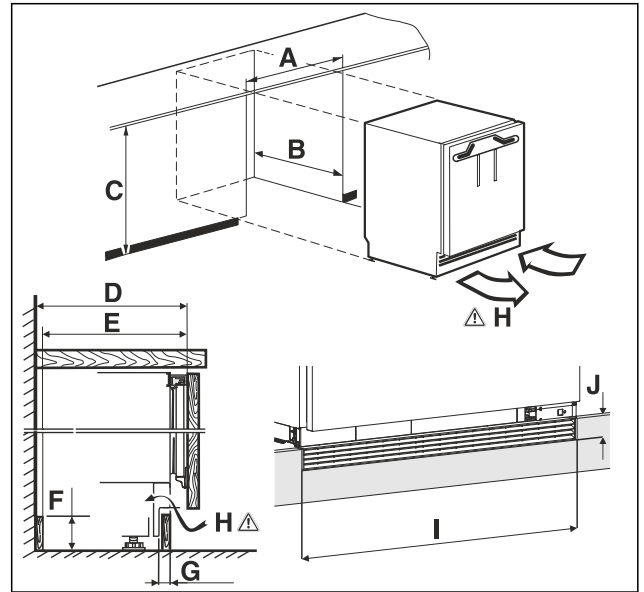


Fig. 2 Example illustration

- (A) Recess width  
 (B) Recess depth  
 (C) Recess height  
 (H) Ventilation cross-section

A	600 mm	
B	<b>UW..pr:</b> at least 560 mm <b>UW..gb:</b> at least 575 mm	
C	.. 36.. 820 mm to 880 mm	.. 37.. 860 mm to 920 mm
D	550 mm	
E	540 mm	
F	140 mm	
G	22 mm to 77 mm	
H	150 cm <sup>2</sup>	
I	600 mm	
J	40 mm	

A) Appliance type designation

## 5 Cabinet front

### 5.1 Weight of cabinet front

#### NOTICE

Risk of damage from a heavy unit door!  
 If the cabinet door is too heavy, damage to the hinges cannot be ruled out with functionality impairments as a result.

► Before installing the cabinet door, ensure that the cabinet door does not exceed the permissible weight.

Recess height	Maximum weight of unit door
.. 36.. <sup>A)</sup>	10 kg
.. 37.. <sup>A)</sup>	10 kg

A) Appliance type designation

## 5.2 Cabinet door

- A door is needed for the kitchen cabinets.
- The door must have a minimum thickness of 16 mm and a maximum thickness of 19 mm.
- There must be a minimum gap of 3 mm between the door and the cabinet door above the appliance (if available).
- The width of the cabinet door depends on the style of the kitchen and the size of the gap between the cabinet's door panels. Generally, there should be a vertical gap between the cabinet doors of 3 mm.
- If there are other cabinets, the upper edge of the cabinet door should be at the same height as the doors of the adjacent cabinets.
- The cabinet door must be flush and mounted with no tension.

### NOTICE

Risk of damage from a heavy cabinet door!  
If the cabinet door is too heavy, damage to the hinges cannot be ruled out with functionality impairments as a result.

- Before installing the cabinet door, ensure that the cabinet door does not exceed the permissible weight.

## 5.3 Cabinet front dimensions

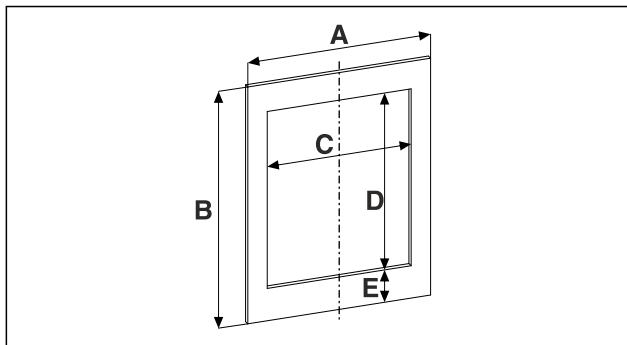


Fig. 3

Recess height	.. 36..	.. 37..
A	595 mm	
B	717 mm	776 mm
C	458 mm	
D	524 mm	568.5 mm
E	96.5 mm	111 mm

For appliances without a glass door, values C, D, and E do not apply.

A) Appliance type designation

## 5.4 Profile frame dimensions

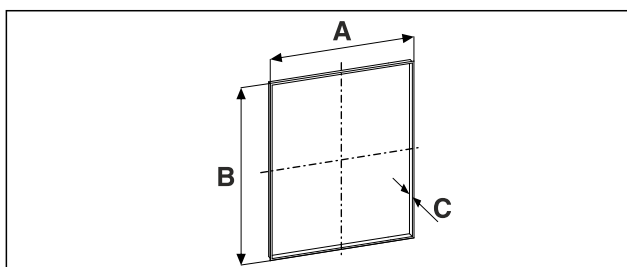


Fig. 4

Recess height	.. 36..	.. 37..
A	458 mm	
B	524 mm	568.5 mm
C	For a panel thickness of 19 mm: 21 mm	

A) Appliance type designation

A = internal dimension for cutout in cabinet front profile frame installation

B = internal dimension for cutout in cabinet front profile frame installation

C = profile frame thickness

## 5.5 Adjusting the gap dimension without collision

After you have installed the cabinet front(s), you must check to ensure that the cabinet fronts cannot collide.

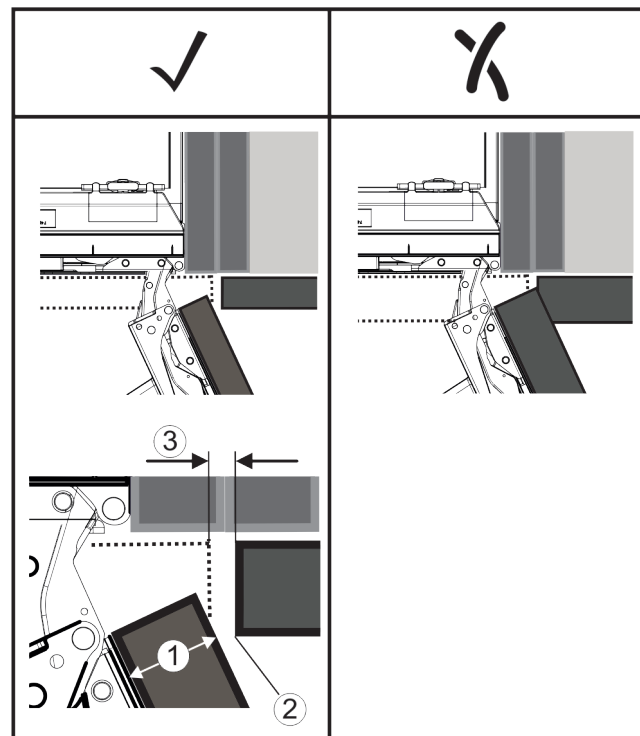


Fig. 5

(1) Front thickness (FD)

(3) Gap dimension (S)

(2) Edge radius (R)

FD(1) (mm)	R (2) = 0 mm		R = 1,2 mm		R = 2 mm		R = 3 mm	
	G <sub>min</sub>	G <sub>max</sub>	G <sub>min</sub>	G <sub>max</sub>	G <sub>min</sub>	G <sub>max</sub>	G <sub>min</sub>	G <sub>max</sub>
16	0,3	0,9	0,1	0,4	0,1	0,2	0,1	0,2
19	0,7	2,4	0,3	1,9	0,23	3,25	0,1	0,8
20	2	4,3	1,5	3,6	1	3,1	0,6	2,7
22	3,5	6,3	3	5,6	2,6	5,3	2,1	4,6
24	5,5	8,3	5	7,8	4,5	7,4	4	6,9
26	7,6	10,7	7	10,3	6,6	9,9	6,2	9,4

Fig. 6 Table gap dimension threshold

G<sub>min</sub> = lower threshold of the gap dimension in mm

G<sub>max</sub> = upper threshold of the gap dimension in mm

### Note

When making corrections, make sure that the cabinet front matches the general appearance of the front.

**Check the collision properties and correct accordingly:**

# Transporting the appliance

- ▶ Determine the front thickness and edge radius.
- ▶ In the table Fig. 6 ( ), read the threshold for the gap dimension.
- ▶ Compare the gap dimension with the values in the table.
- ▶ Perform one of the following action steps depending on the calculated gap dimension.

Gap dimension	Description
$S > G_{\max}$	If the gap dimension is larger than the two thresholds, no correction is necessary.
$S < G_{\min}$	If the gap dimension is below than the thresholds, you must increase the gap dimension. Another option is to increase the edge radius.
$G_{\min} \leq S \leq G_{\max}$	If the gap dimension is between the two thresholds, ensure that your work is accurate. Collisions can quickly occur in such cases.

## 6 Transporting the appliance

**Observe the following when transporting the appliance:**

- ▶ Transport the appliance upright.
- ▶ Use two people when transporting the appliance.

**During the first use:**

- ▶ Transport the appliance packaged.

**During appliance transport or at first use (e.g. when moving or cleaning):**

- ▶ Empty the appliance.
- ▶ Secure the door against undesired opening.

## 7 Unpacking the appliance

### NOTICE

Risk of damage for the finished floor surface!

- ▶ Protect the finished floor surface before you uncrate the unit.

If the appliance is damaged check with the supplier immediately before connecting it.

- ▶ Check the appliance and packaging for damage during transport. If you suspect any damage, please contact your supplier immediately.
- ▶ Remove all materials that could prevent it from being installed properly or prevent proper ventilation from the back or the side panels of the appliance.
- ▶ Remove all protective films from the appliance. Do not use sharp or pointed objects for this.

## 8 After setup

- ▶ Peel off the protective films. \*
- ▶ Clean the appliance.
- ▶ If necessary: Disinfect the appliance.
- ▶ Keep the invoice so you have the appliance and dealer information available if needed.

## 9 Disposal of packaging



### WARNING

Danger of suffocation from packaging materials and films!

- ▶ Do not allow children to play with packaging materials.

The packaging is made from recyclable materials:

- Corrugated card/cardboard
  - Parts made of foamed polystyrene
  - Films and bags from polyethylene
  - Packing bands from polypropylene
  - Wood frame nailed together with a polyethylene window\*
- ▶ Take the packaging material to an official collection point.

## 10 Changing the door hinge with bearing bracket hinge

### 10.1 Safety instructions



#### WARNING

Risk of injury if the door is not reversed correctly!

- ▶ Have a specialist change the door hinge.



#### WARNING

Risk of injury and material damage from the door weight!

- ▶ Only replace the door hinge if you are able to carry a weight of 15 kg.
- ▶ Have two people replace the door hinge.

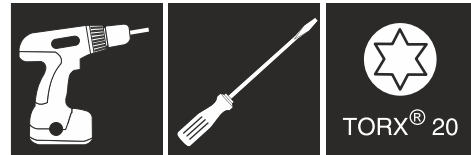
### NOTICE

Live parts!

Damage to electrical components.

- ▶ Pull the power plug before changing the door hinges.

### 10.2 Tool



### 10.3 Removing the covers

- ▶ Open the door.

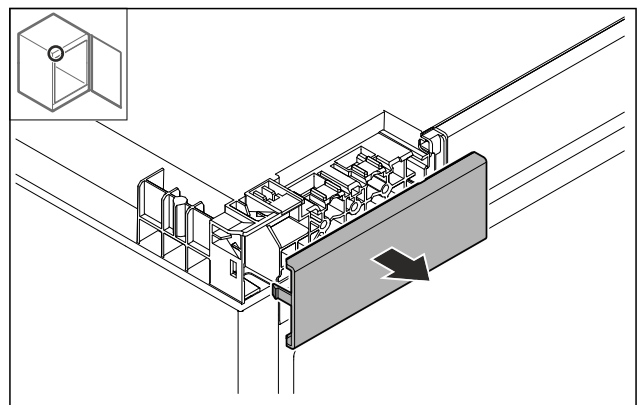


Fig. 7

- ▶ Remove the cover.

# Changing the door hinge with bearing bracket hinge

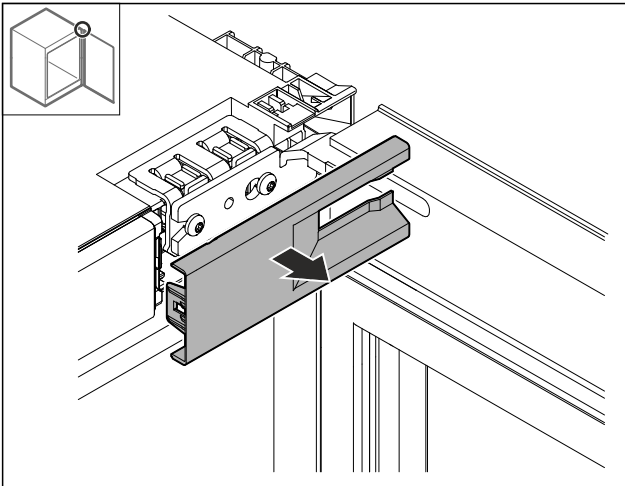


Fig. 8

- ▶ Remove the cover.

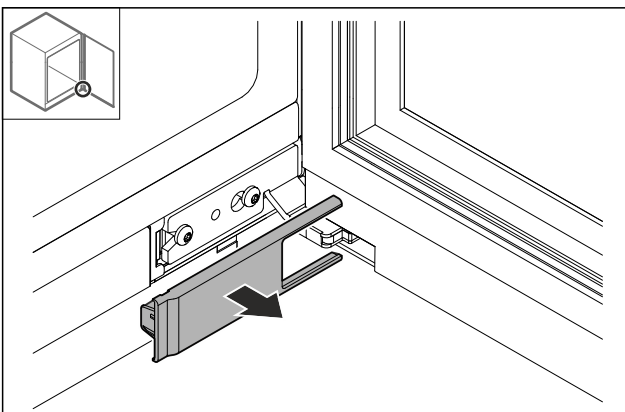


Fig. 9

- ▶ Remove the cover.

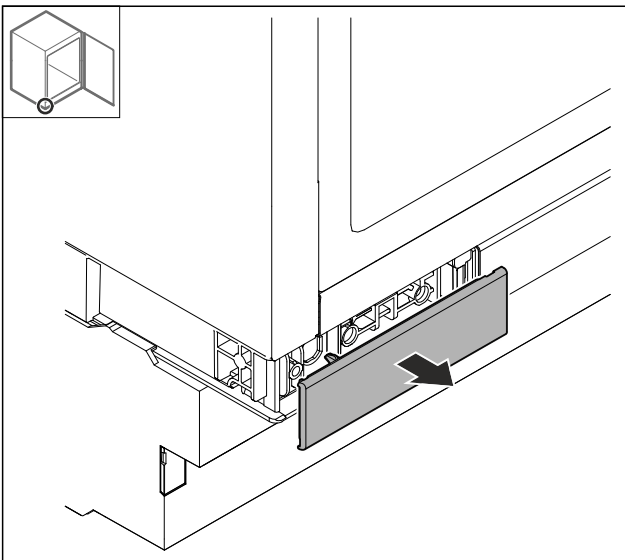


Fig. 10

- ▶ Remove the cover.

## 10.4 Removing the door

### NOTICE

Risk of injury if the door tips out!

- ▶ Hold the door.

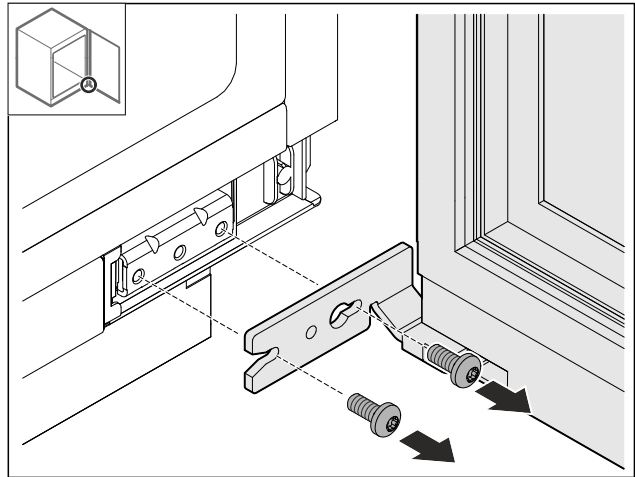


Fig. 11

- ▶ Release the screws at the bottom.

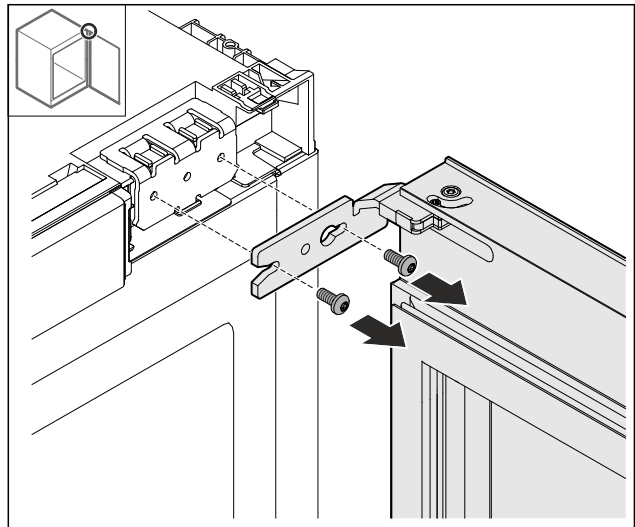


Fig. 12

- ▶ Release the screws at the top.
- ▶ Remove the door.
- ▶ Place the door on a soft support.

## 10.5 Removing the hinge

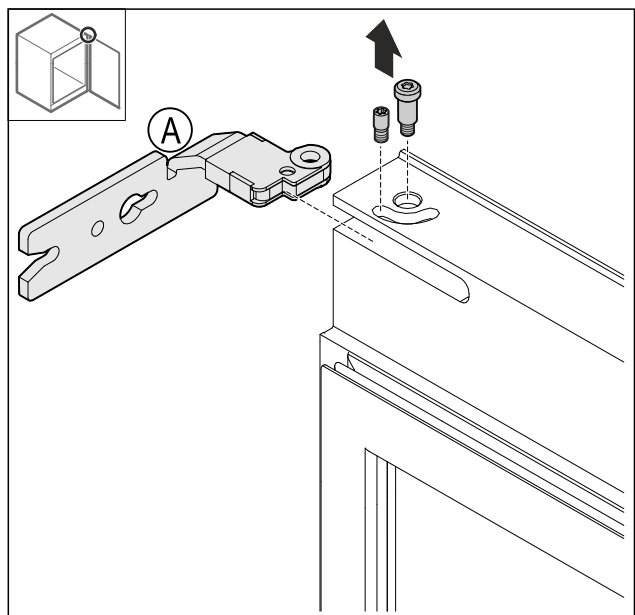


Fig. 13

# Changing the door hinge with bearing bracket hinge

- ▶ Unscrew the bolt.

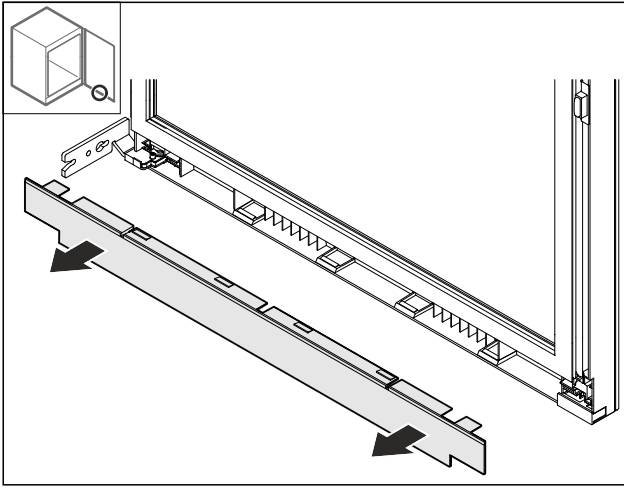


Fig. 14

- ▶ Remove the cover.

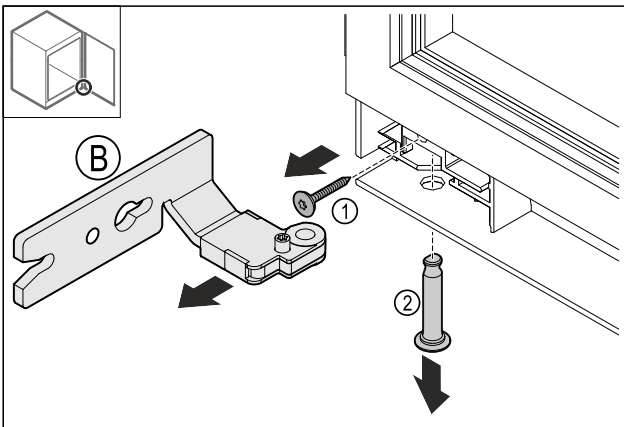


Fig. 15

- ▶ Remove the screw Fig. 15 (1).
- ▶ Remove the pin Fig. 15 (2).
- ▶ Remove the hinge Fig. 15 (B).

## 10.6 Moving the top cover

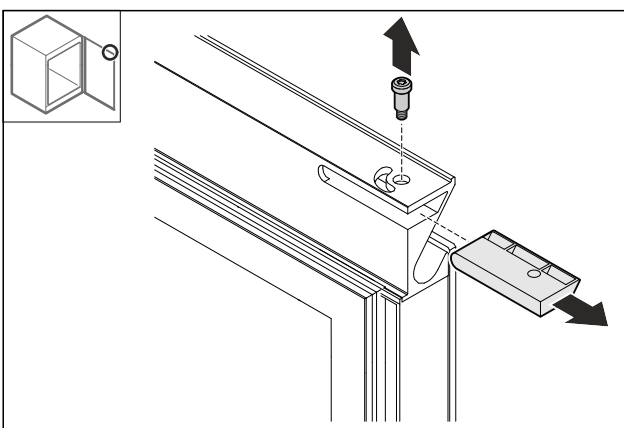


Fig. 16

- ▶ Remove the pin.
- ▶ Remove the cover.
- ▶ Liebherr recommends: Store the cover for later use.

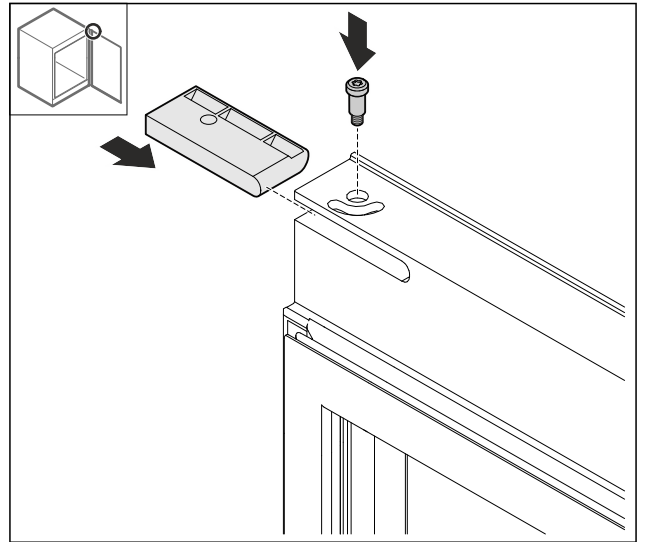


Fig. 17

- ▶ Use the cover from the enclosed package.
- ▶ Screw the pin tight.

## 10.7 Moving the bottom cover

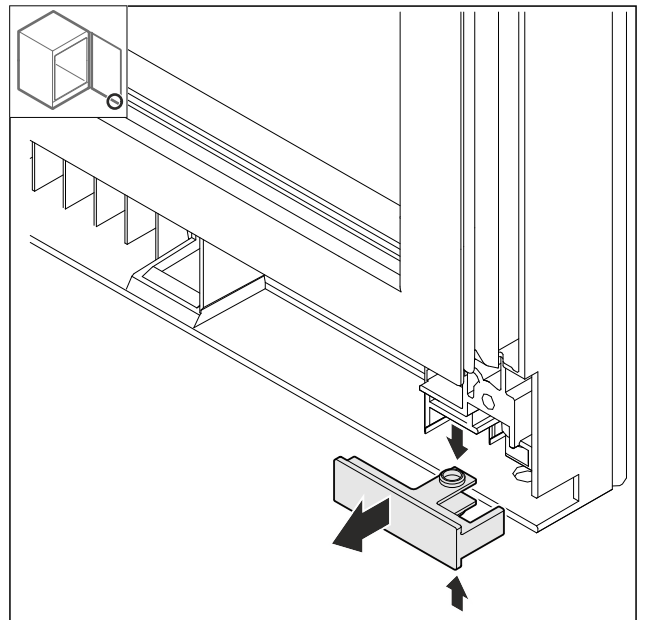


Fig. 18

- ▶ Gently press the top and bottom of the cover together and pull it out towards the front.

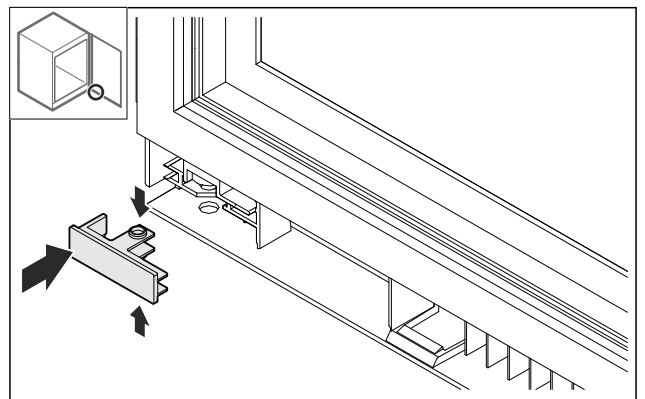


Fig. 19

- ▶ Insert the cover turned 180° on the opposite side.



# Changing the door hinge with bearing bracket hinge

## 10.8 Moving the door stopper

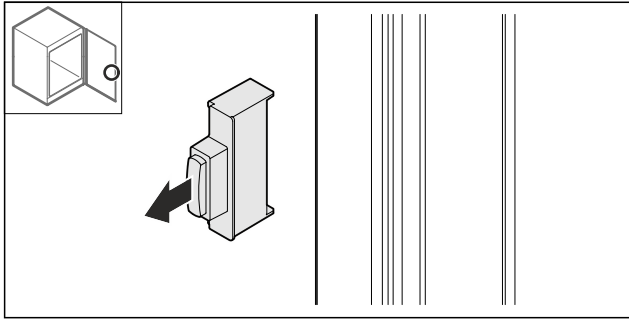


Fig. 20

- ▶ Pull out the door stopper.

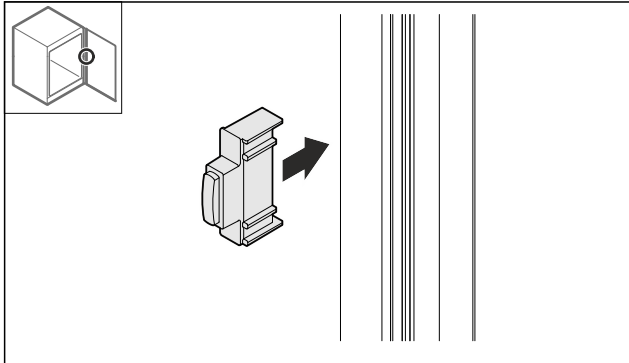


Fig. 21

- ▶ Insert the door stopper turned 180° on the opposite side.

## 10.9 Attaching the hinges

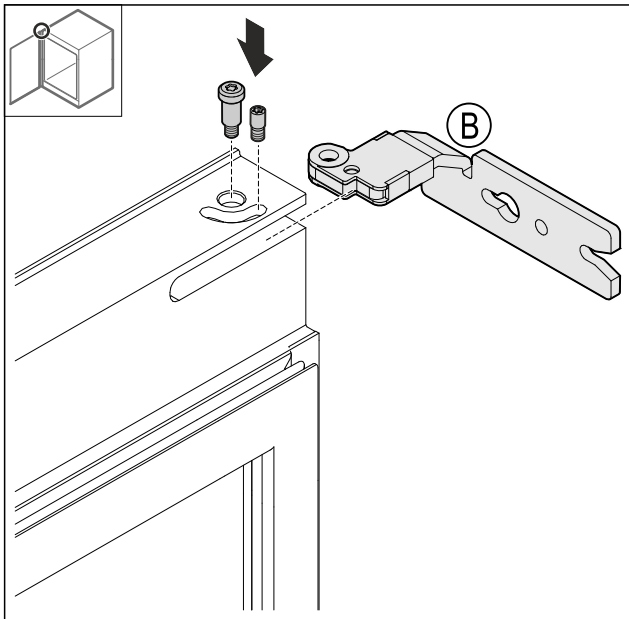


Fig. 22

- ▶ Attach the top hinge.

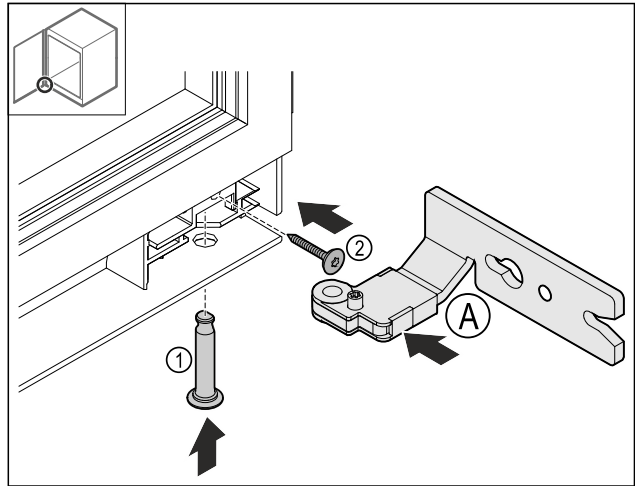


Fig. 23

- ▶ Insert the bottom hinge Fig. 23 (A).
- ▶ Insert the pin Fig. 23 (1) and hold it.
- ▶ Tighten the screw Fig. 23 (2).

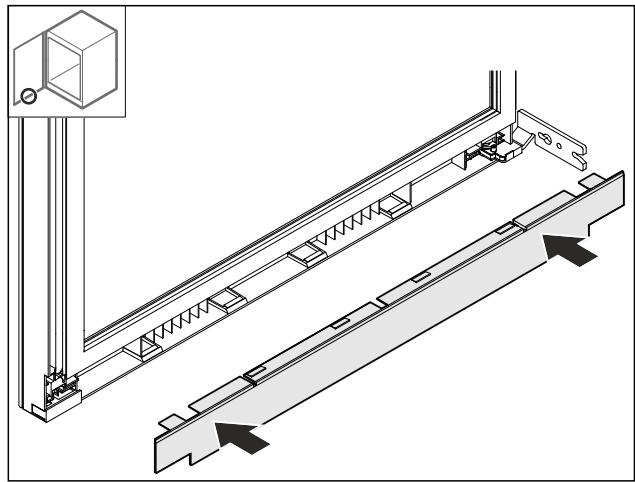


Fig. 24

- ▶ Put on the cover.

## 10.10 Moving the top bracket

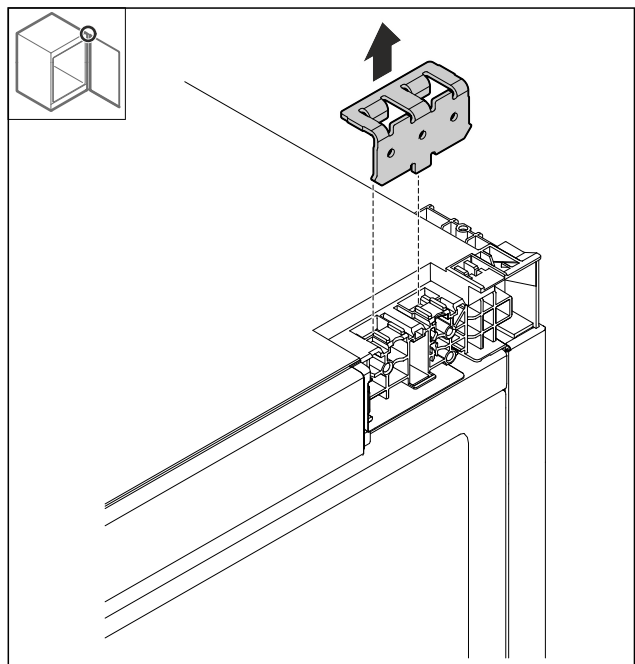


Fig. 25

# Changing the door hinge with bearing bracket hinge

- ▶ Remove the bracket.

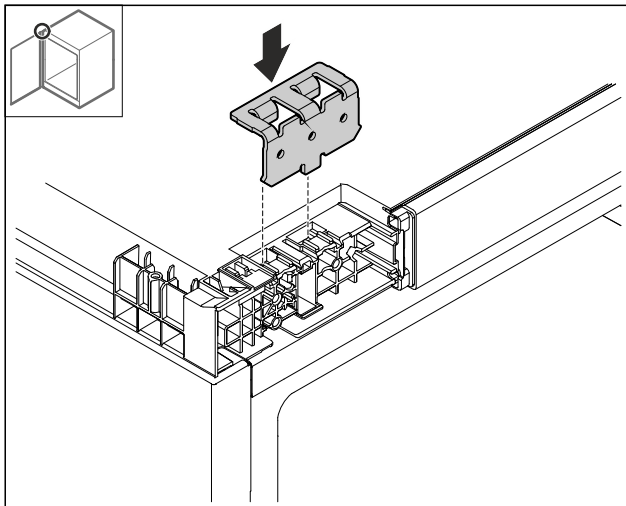


Fig. 26

- ▶ Insert the bracket.

## 10.11 Moving the bottom bracket

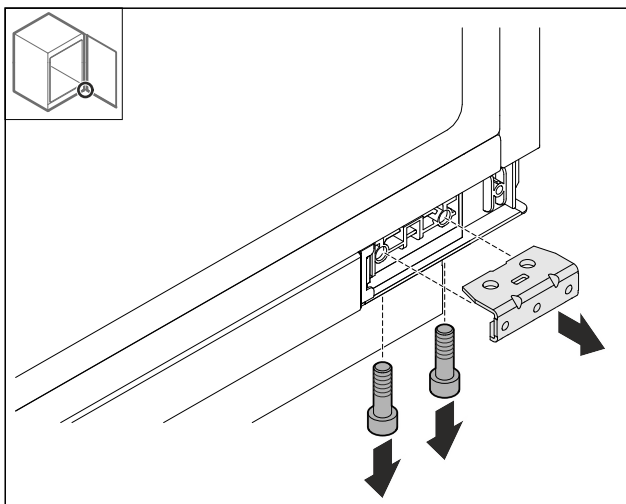


Fig. 27

- ▶ Pull off the bracket.

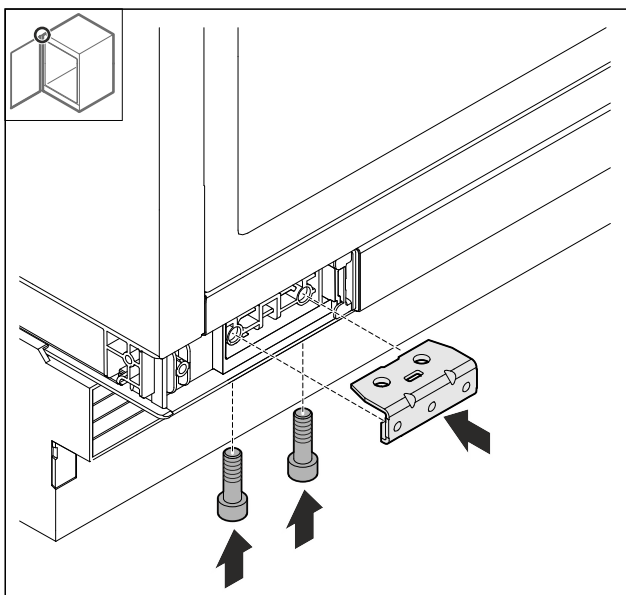


Fig. 28

- ▶ Mount the bracket.

## 10.12 Installing the door

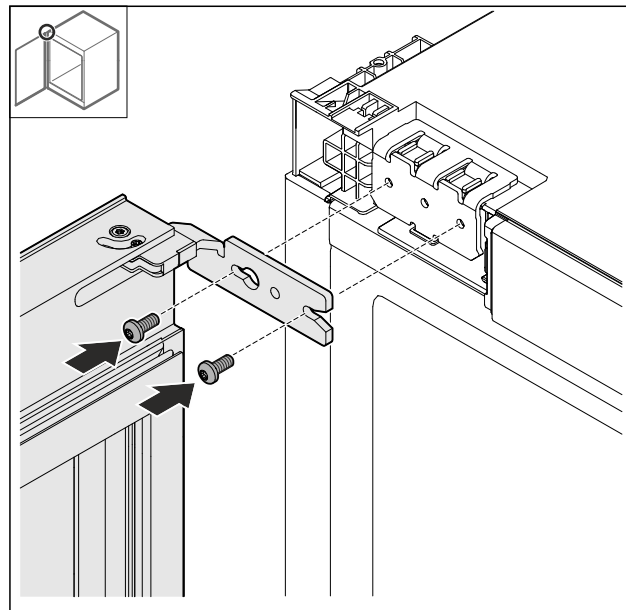


Fig. 29

- ▶ Screw on the door at the top.

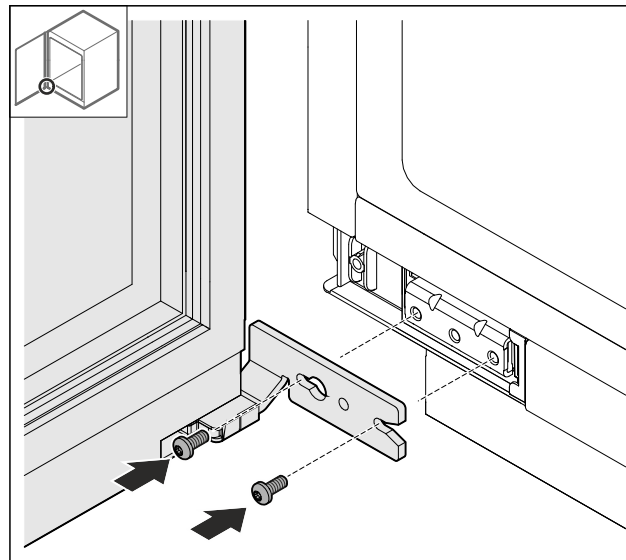


Fig. 30

- ▶ Screw on the door at the bottom.

# Changing the door hinge with multi-joint hinge (not suitable for decoration)

## 10.13 Putting on the covers

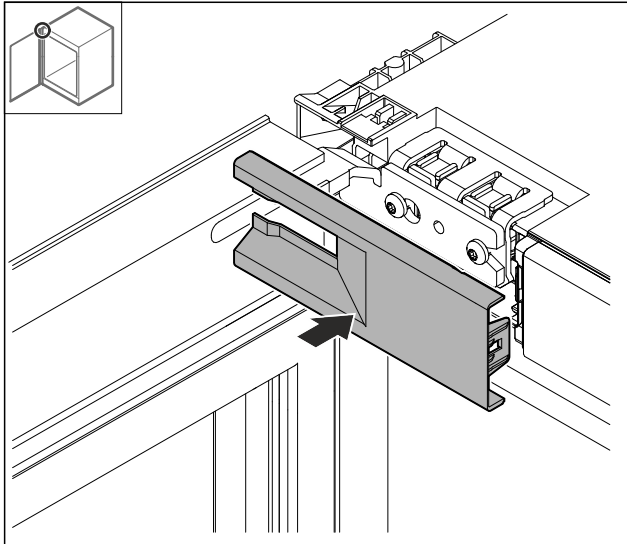


Fig. 31

- Put on the cover.

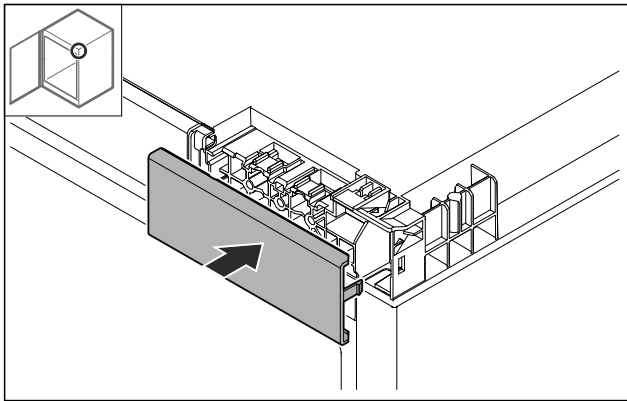


Fig. 32

- Put on the cover.

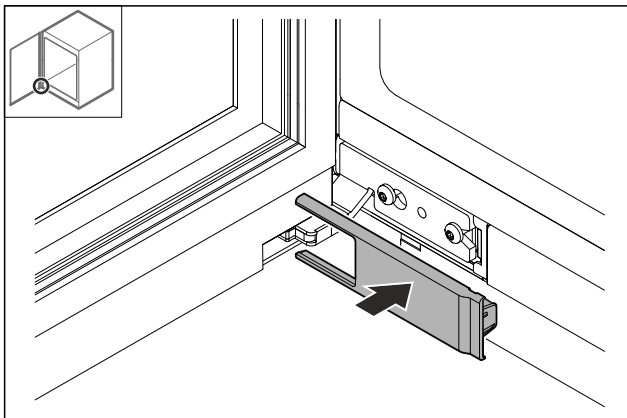


Fig. 33

- Put on the cover.

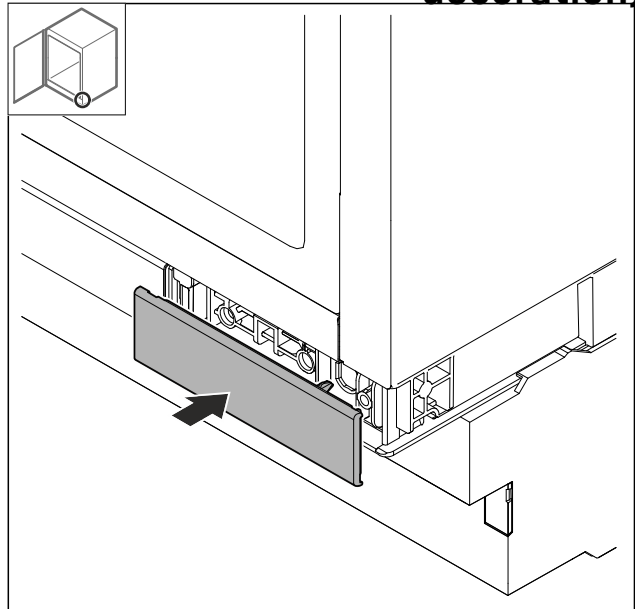


Fig. 34

- Put on the cover.

## 11 Changing the door hinge with multi-joint hinge (not suitable for decoration)

### 11.1 Safety instructions



#### WARNING

Risk of injury if the door is not reversed correctly!

- Have a specialist change the door hinge.



#### WARNING

Risk of injury and material damage from the door weight!

- Only replace the door hinge if you are able to carry a weight of 15 kg.
- Have two people replace the door hinge.

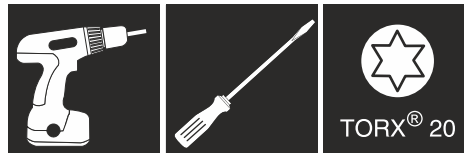
#### NOTICE

Live parts!

Damage to electrical components.

- Pull the power plug before changing the door hinges.

### 11.2 Tool



### 11.3 Removing the covers

- Open the door.

# Changing the door hinge with multi-joint hinge (not suitable for decoration)

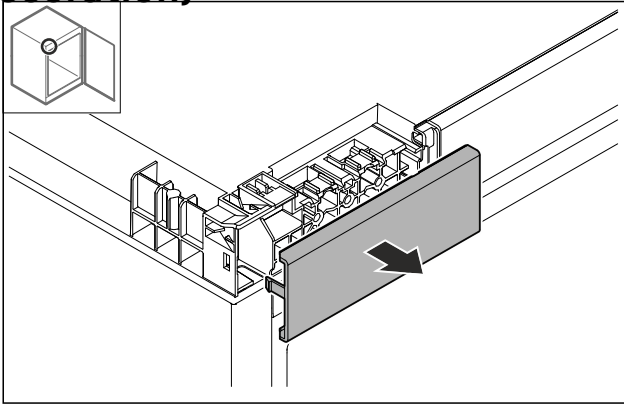


Fig. 35

- ▶ Remove the cover.

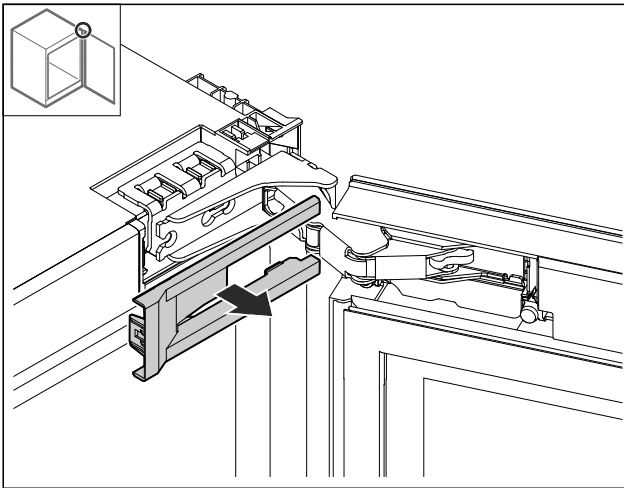


Fig. 36

- ▶ Remove the cover.

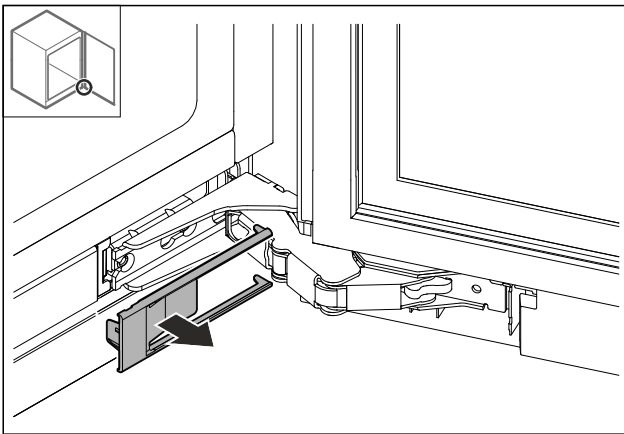


Fig. 37

- ▶ Remove the cover.

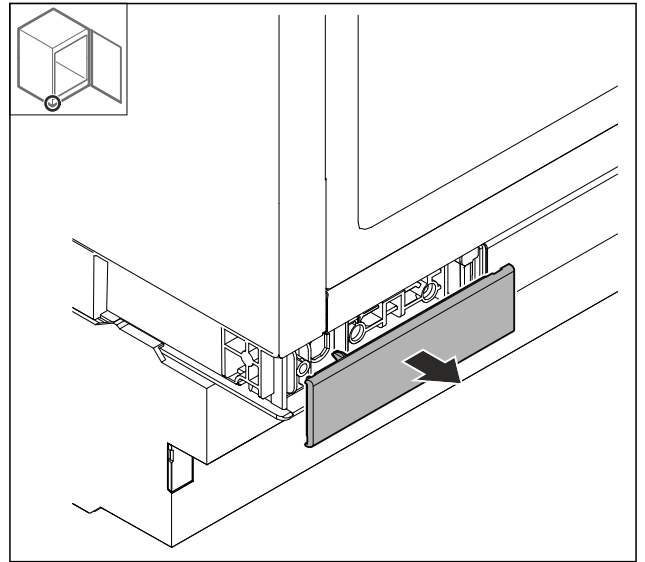


Fig. 38

- ▶ Remove the cover.

## 11.4 Removing the door

### NOTICE

Risk of injury if the door tips out!

- ▶ Hold the door.

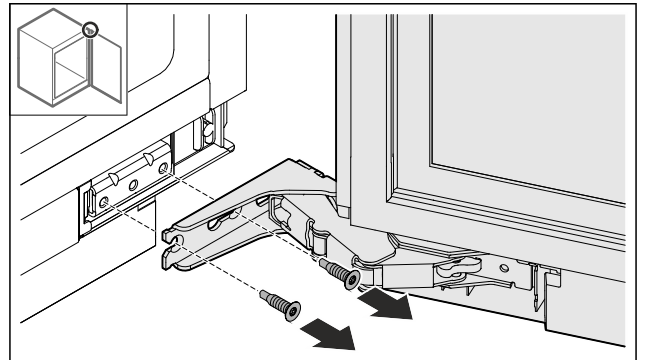


Fig. 39

- ▶ Release the screws at the bottom.

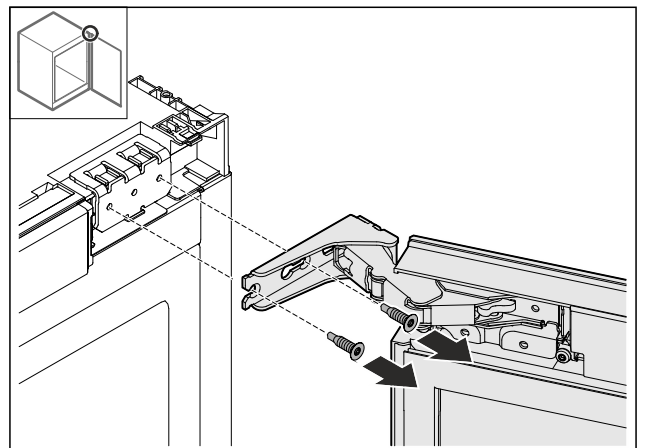


Fig. 40

- ▶ Release the screws at the top.
- ▶ Remove the door.
- ▶ Place the door on a soft support.

# Changing the door hinge with multi-joint hinge (not suitable for decoration)

## 11.5 Removing the hinge

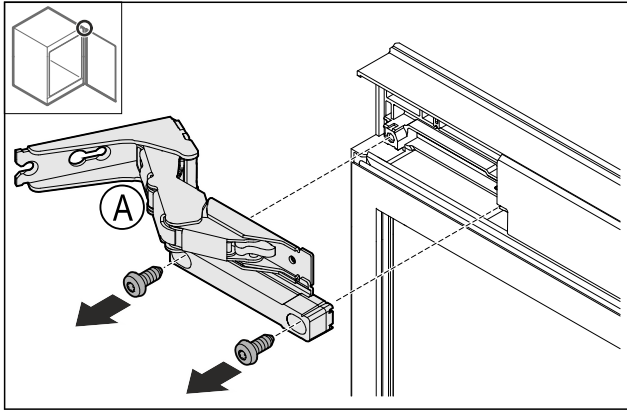


Fig. 41

- Unscrew the screws.

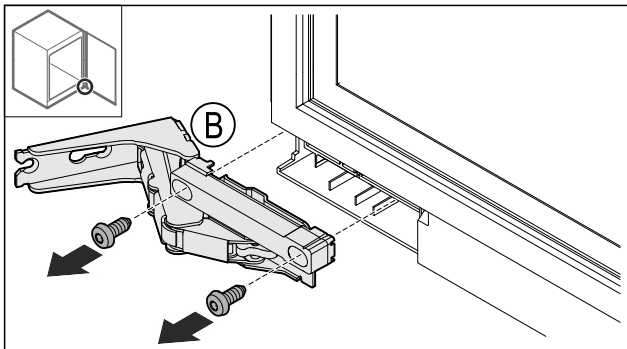


Fig. 42

- Unscrew the screws.

## 11.6 Moving the covers

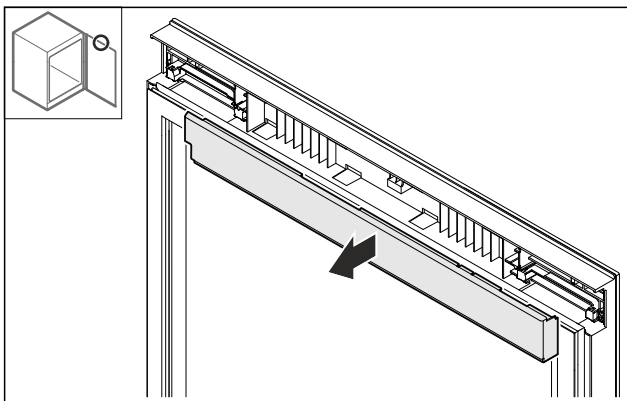


Fig. 43

- Release the cover at the top.

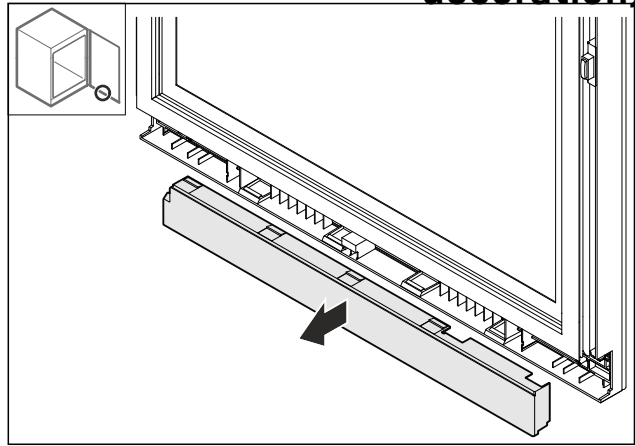


Fig. 44

- Release the cover at the bottom

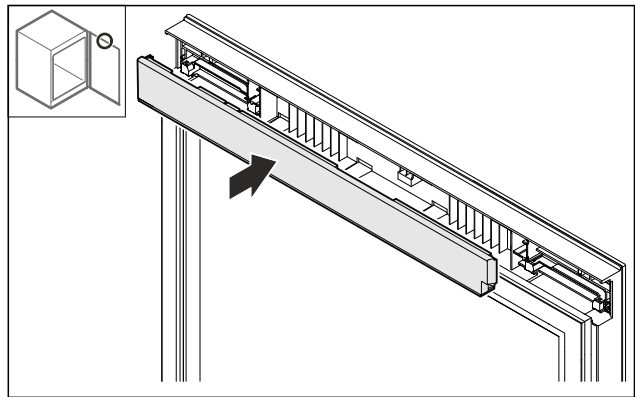


Fig. 45

- Insert the cover from the bottom at the top turned 180°.

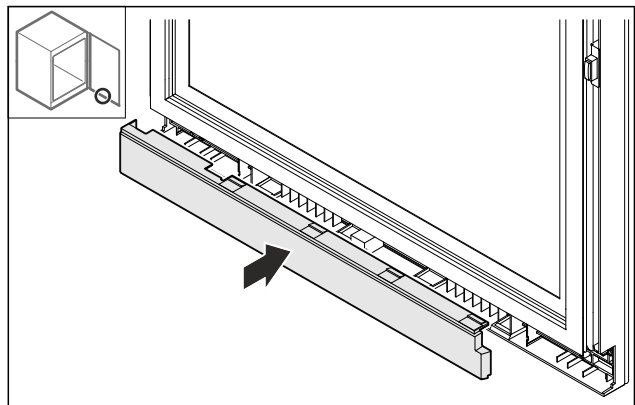


Fig. 46

- Insert the cover from the top at the bottom turned 180°.

## 11.7 Moving the door stopper

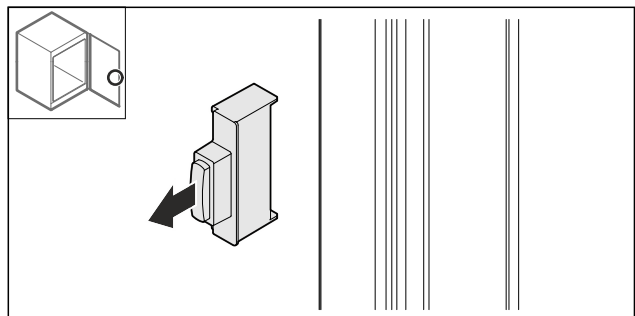


Fig. 47

- Pull out the door stopper.

# Changing the door hinge with multi-joint hinge (not suitable for decoration)

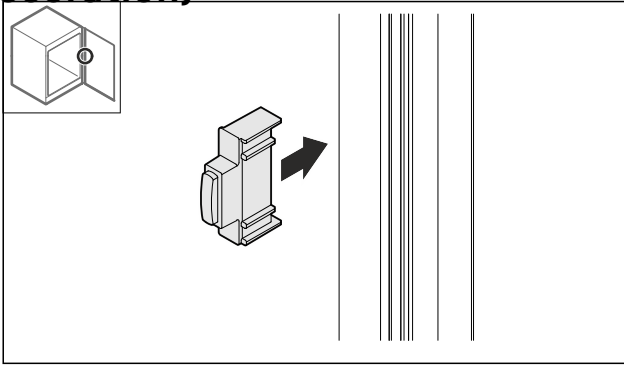


Fig. 48

- ▶ Insert the door stopper turned 180° on the opposite side.

## 11.8 Attaching the hinges

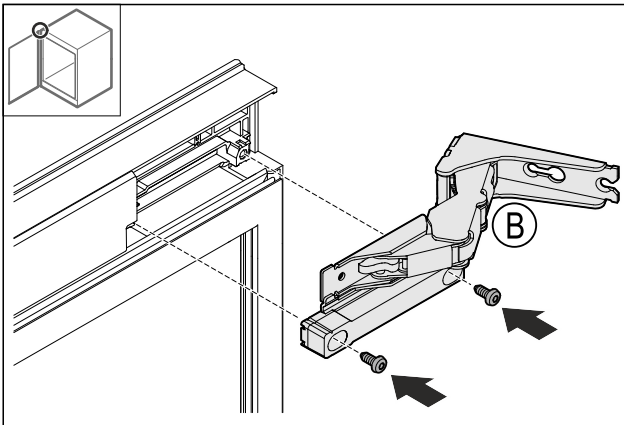


Fig. 49

- ▶ Attach the top hinge.

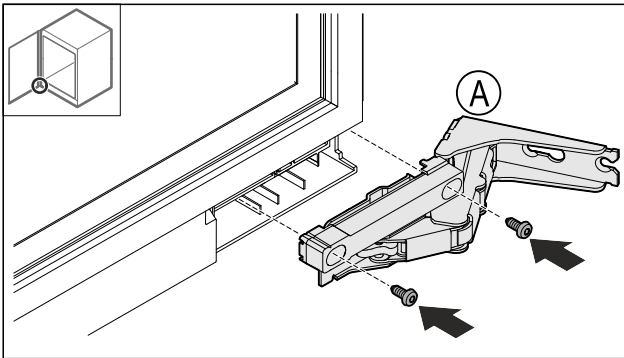


Fig. 50

- ▶ Attach the bottom hinge.

## 11.9 Moving the top bracket

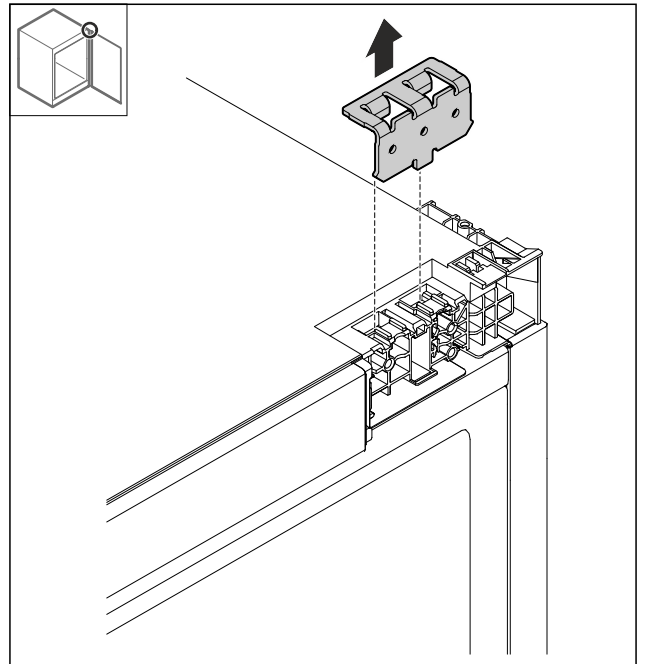


Fig. 51

- ▶ Remove the bracket.

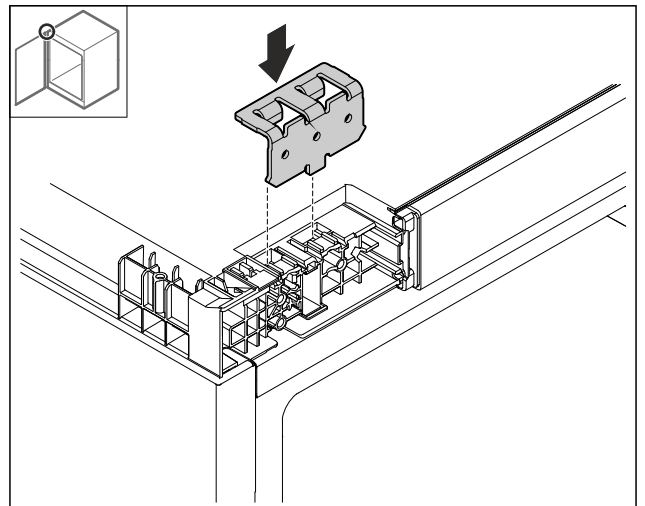


Fig. 52

- ▶ Insert the bracket.

# Changing the door hinge with multi-joint hinge (not suitable for decoration)

## 11.10 Moving the bottom bracket

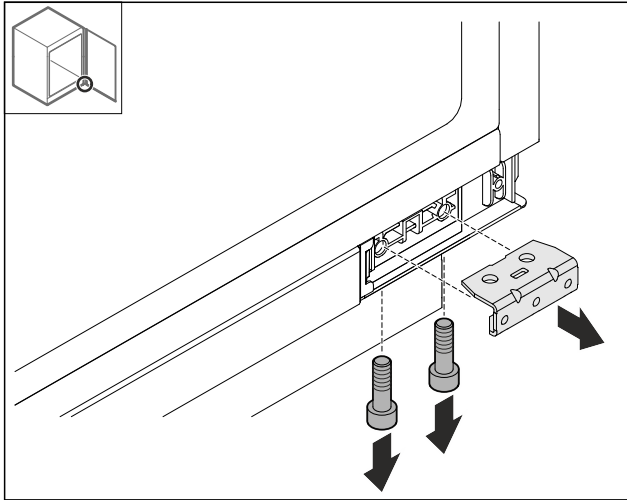


Fig. 53

- Pull off the bracket.

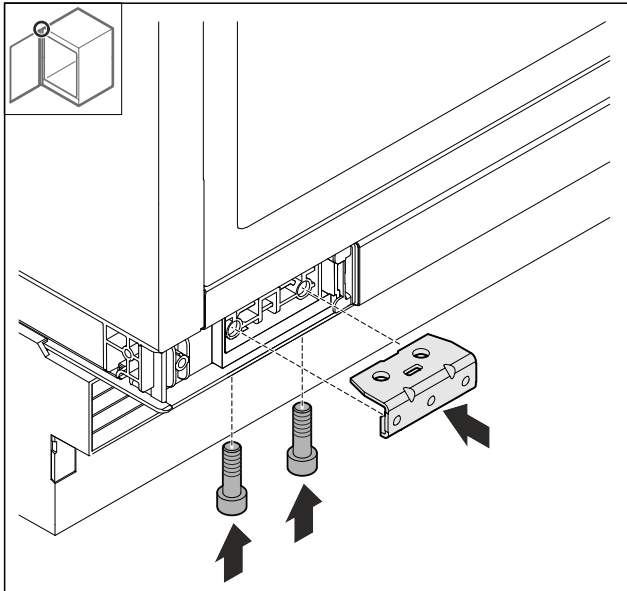


Fig. 54

- Mount the bracket.

## 11.11 Installing the door

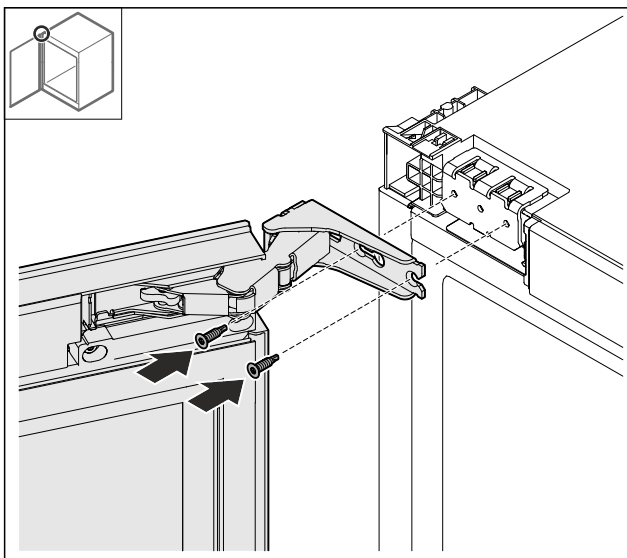


Fig. 55

- Screw on the door at the top.

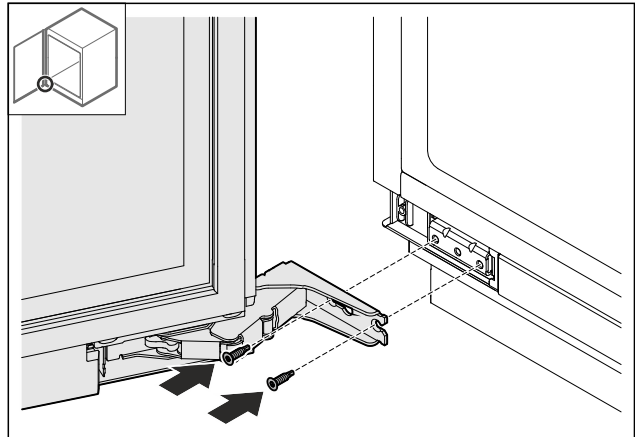


Fig. 56

- Screw on the door at the bottom.

## 11.12 Putting on the covers

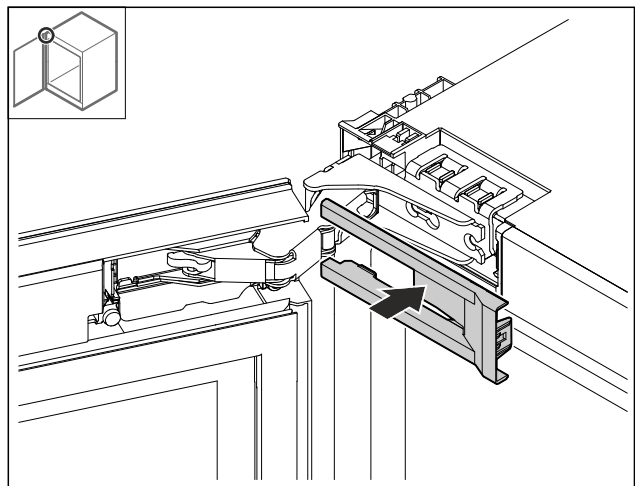


Fig. 57

- Put on the cover.

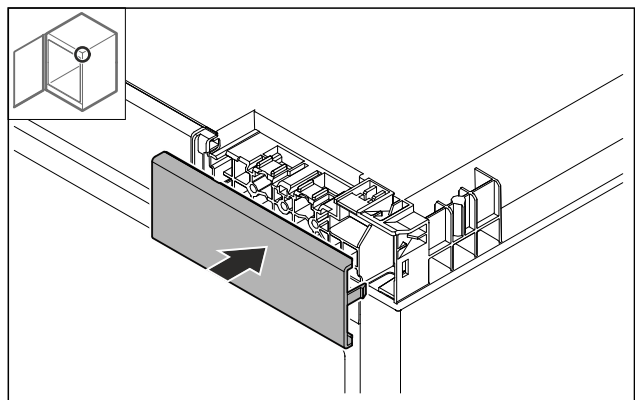


Fig. 58

- Put on the cover.

# Changing the door hinge with multi-joint hinge (suitable for decoration)

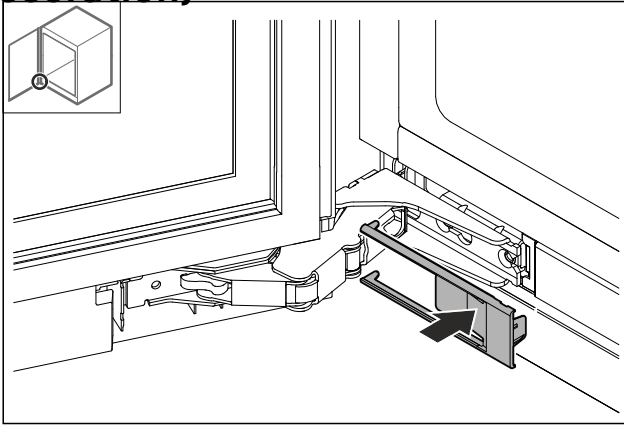


Fig. 59

- Put on the cover.

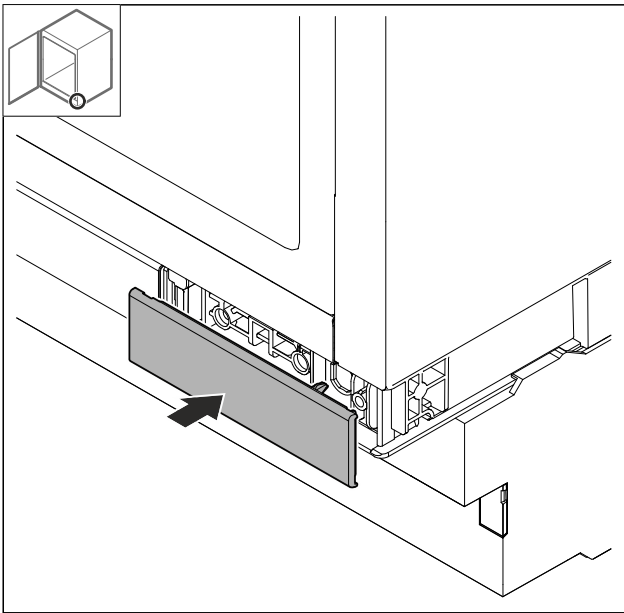


Fig. 60

- Put on the cover.

## 12 Changing the door hinge with multi-joint hinge (suitable for decoration)

### 12.1 Safety instructions



**WARNING**

Risk of injury if the door is not reversed correctly!  
 ► Have a specialist change the door hinge.



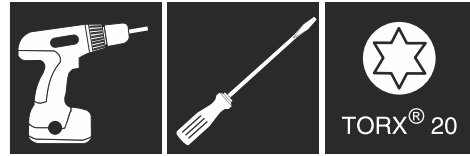
**WARNING**

Risk of injury and material damage from the door weight!  
 ► Only replace the door hinge if you are able to carry a weight of 15 kg.  
 ► Have two people replace the door hinge.

**NOTICE**

Live parts!  
 Damage to electrical components.  
 ► Pull the power plug before changing the door hinges.

### 12.2 Tool



### 12.3 Removing the covers

- Open the door.

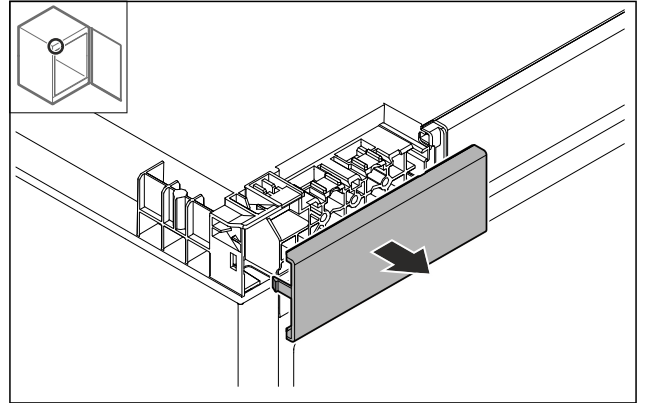


Fig. 61

- Remove the cover.

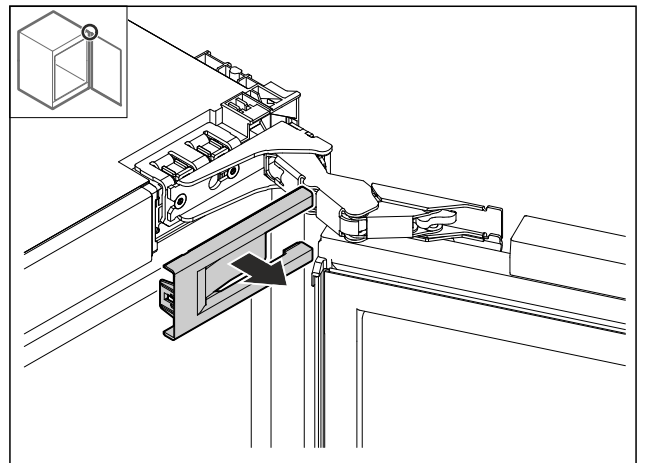


Fig. 62

- Remove the cover.

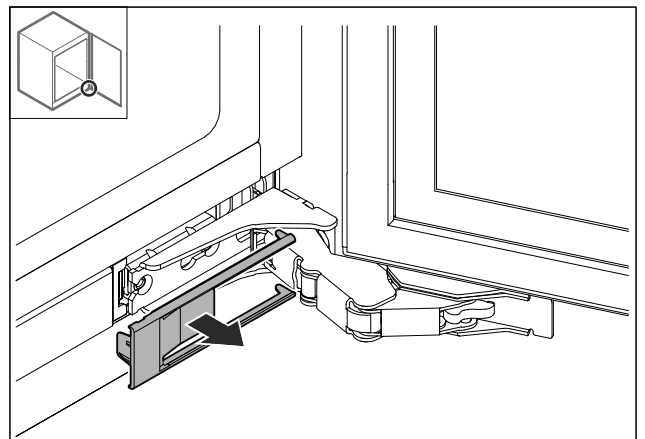


Fig. 63

- Remove the cover.



# Changing the door hinge with multi-joint hinge (suitable for decoration)

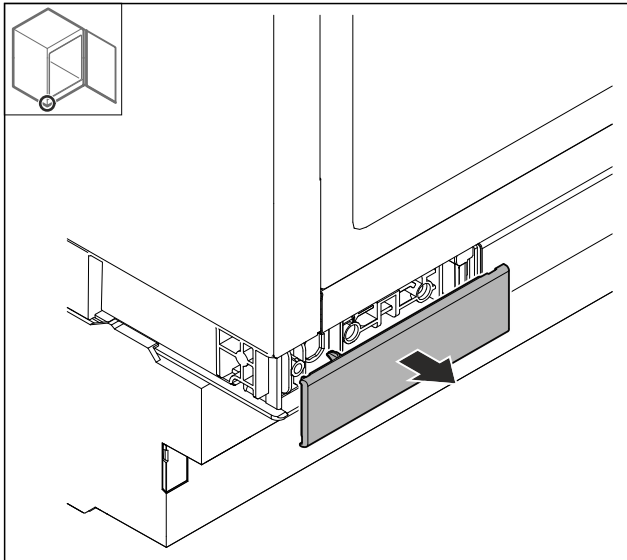


Fig. 64

- ▶ Remove the cover.

## 12.4 Removing the door

### NOTICE

Risk of injury if the door tips out!

- ▶ Hold the door.

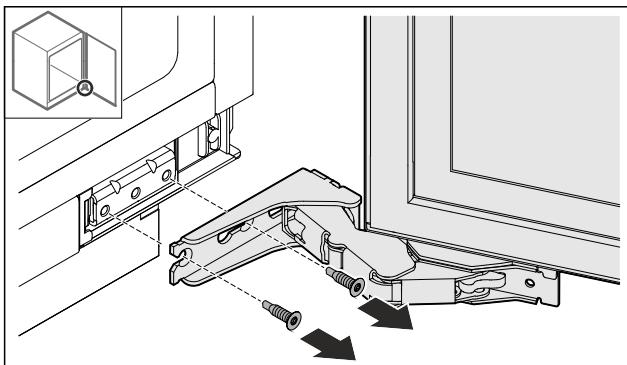


Fig. 65

- ▶ Release the screws at the bottom.

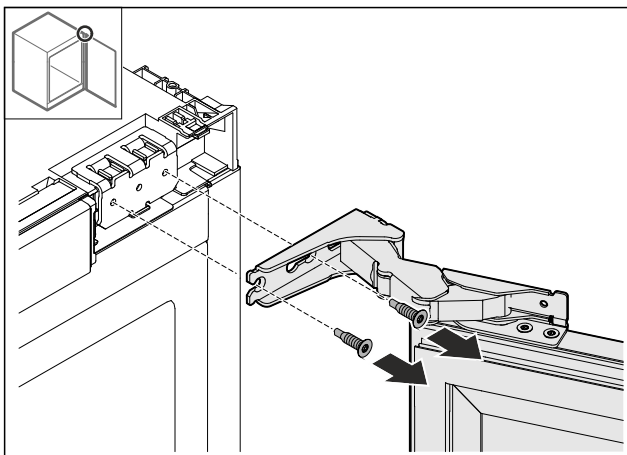


Fig. 66

- ▶ Release the screws at the top.
- ▶ Remove the door.
- ▶ Place the door on a soft support.

## 12.5 Removing the hinge

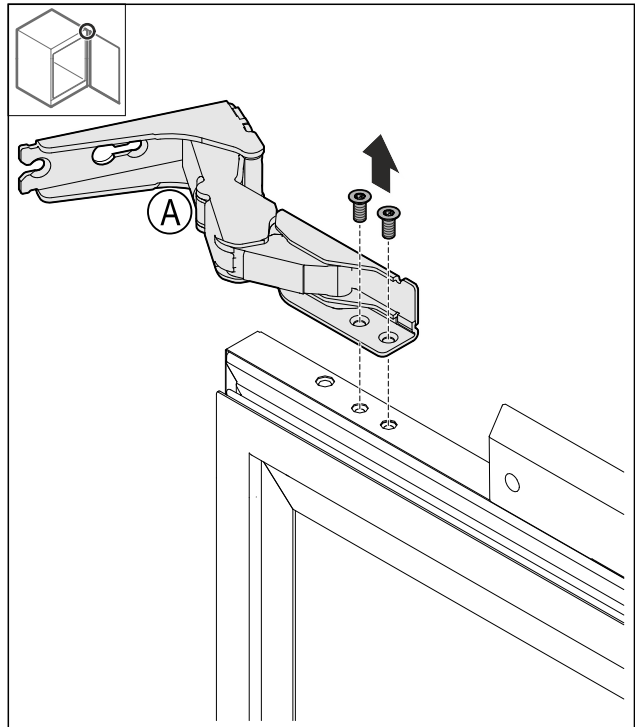


Fig. 67

- ▶ Unscrew the screws.

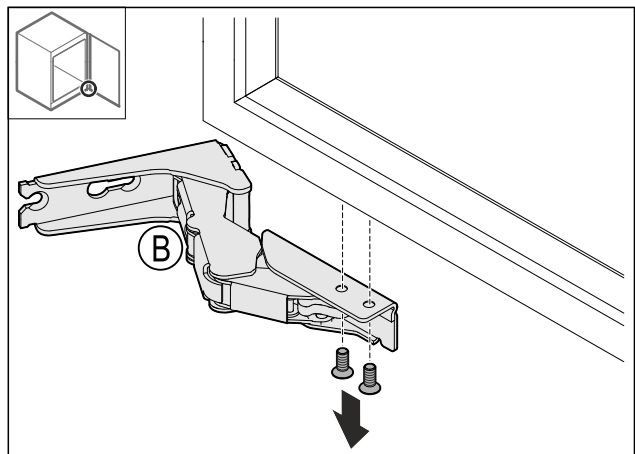


Fig. 68

- ▶ Unscrew the screws.

# Changing the door hinge with multi-joint hinge (suitable for decoration)

## 12.6 Moving the door stopper

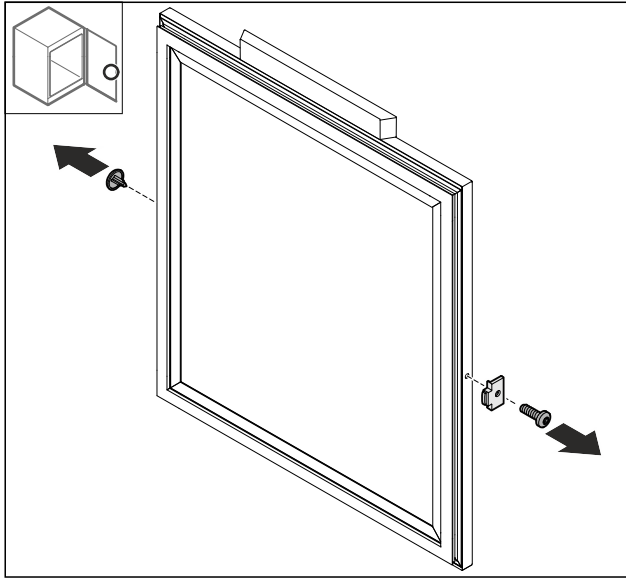


Fig. 69

- ▶ Remove the Fig. 69 (1) cover.
- ▶ Pull off the door stopper Fig. 69 (2).

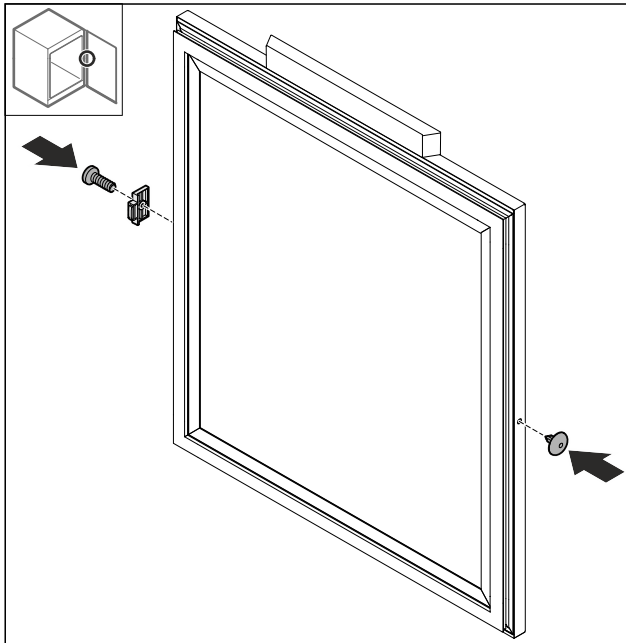


Fig. 70

- ▶ Mount the door stopper Fig. 70 (1) turned by 180° on the opposite side.
- ▶ Insert the cover Fig. 70 (2) on the opposite side.

## 12.7 Attaching the hinges

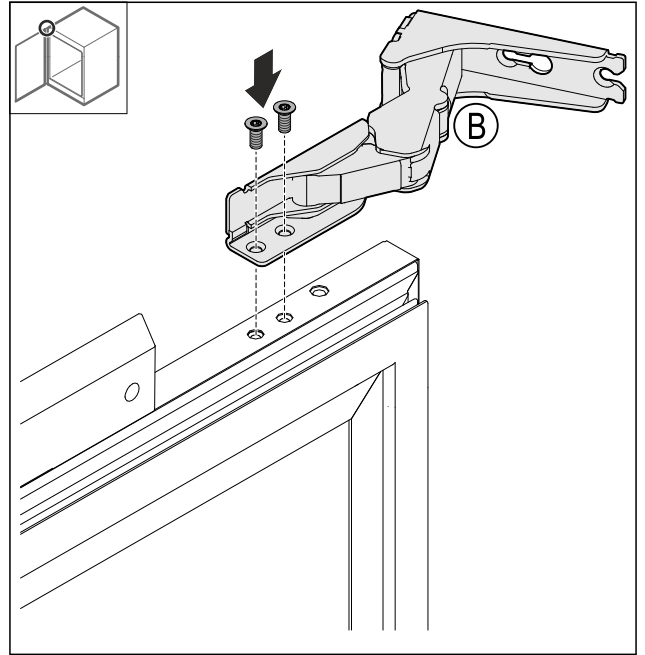


Fig. 71

- ▶ Attach the top hinge.

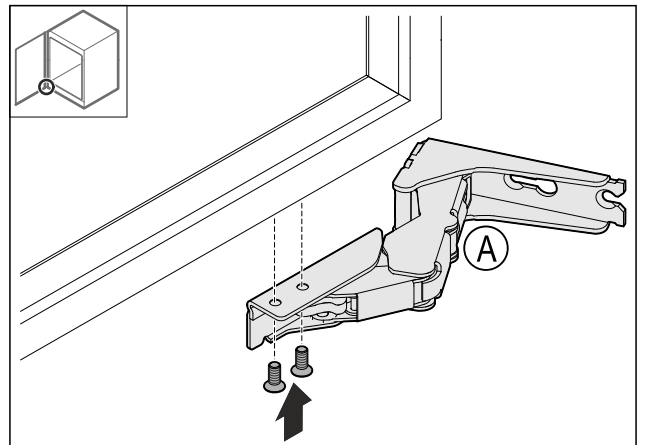


Fig. 72

- ▶ Attach the bottom hinge.

# Changing the door hinge with multi-joint hinge (suitable for decoration)

## 12.8 Moving the top bracket

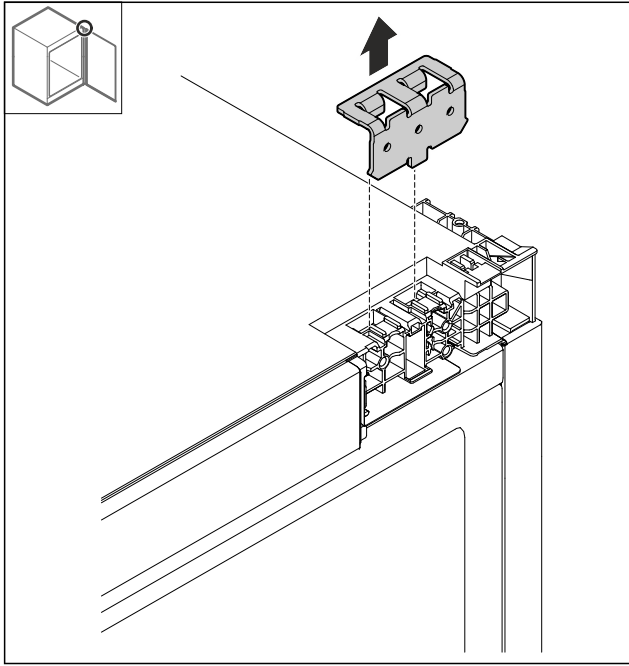


Fig. 73

- Remove the bracket.

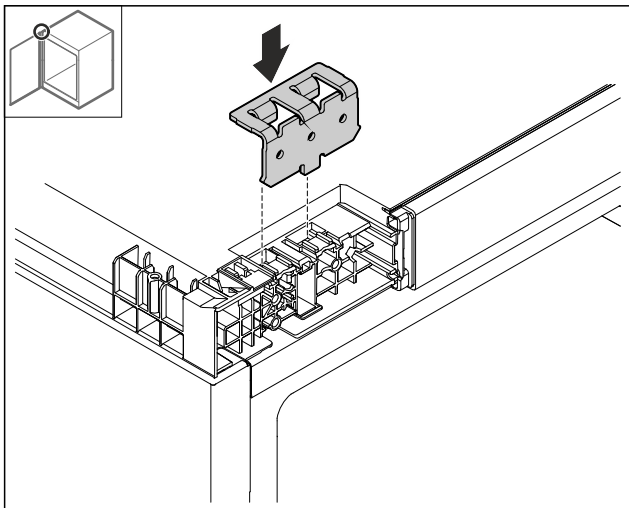


Fig. 74

- Insert the bracket.

## 12.9 Moving the bottom bracket

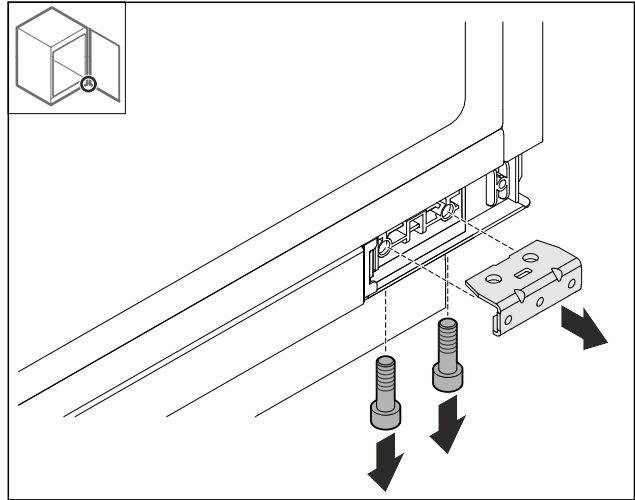


Fig. 75

- Pull off the bracket.

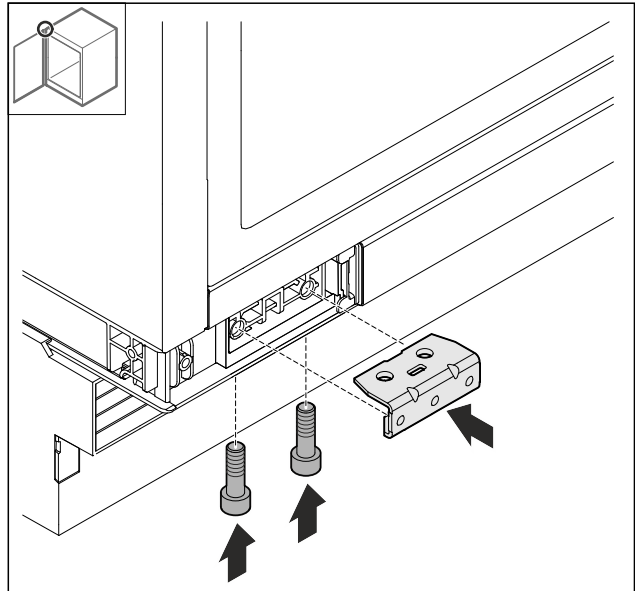


Fig. 76

- Mount the bracket.

# Recessed installation

## 12.10 Installing the door

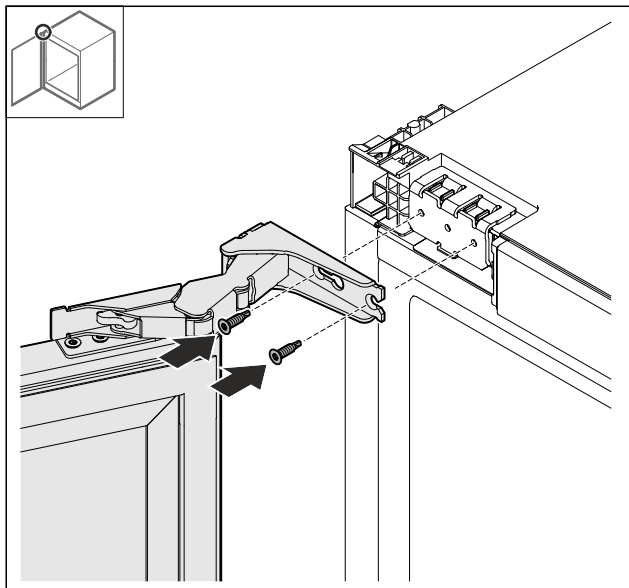


Fig. 77

- Screw on the door at the top.

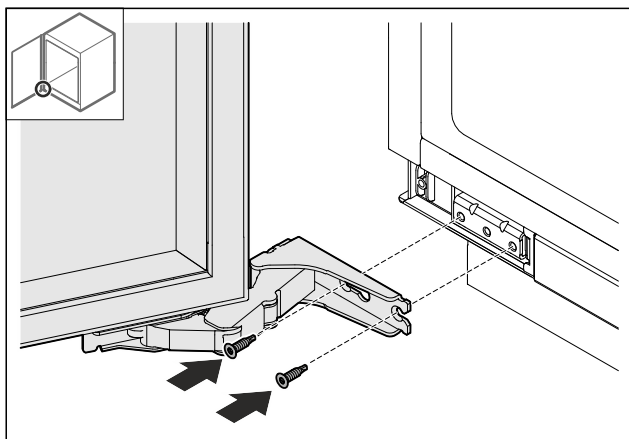


Fig. 78

- Screw on the door at the bottom.

## 12.11 Putting on the covers

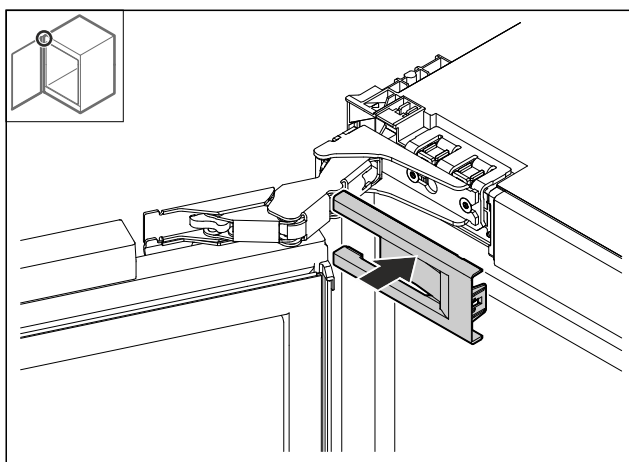


Fig. 79

- Put on the cover.

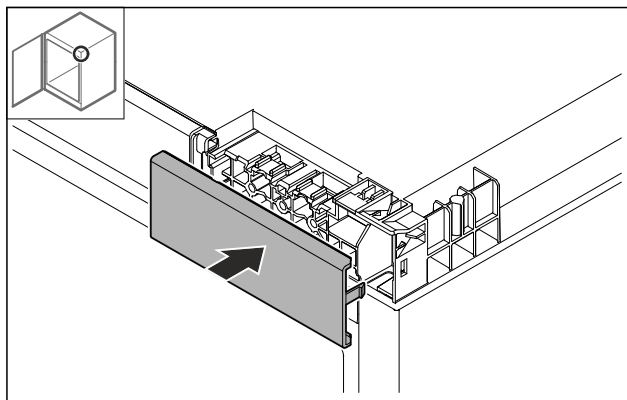


Fig. 80

- Put on the cover.

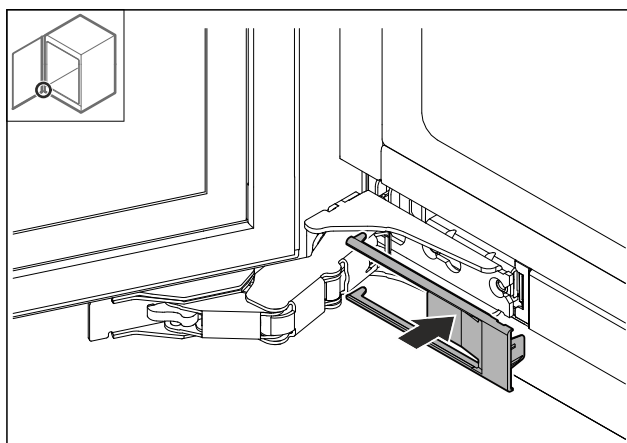


Fig. 81

- Put on the cover.

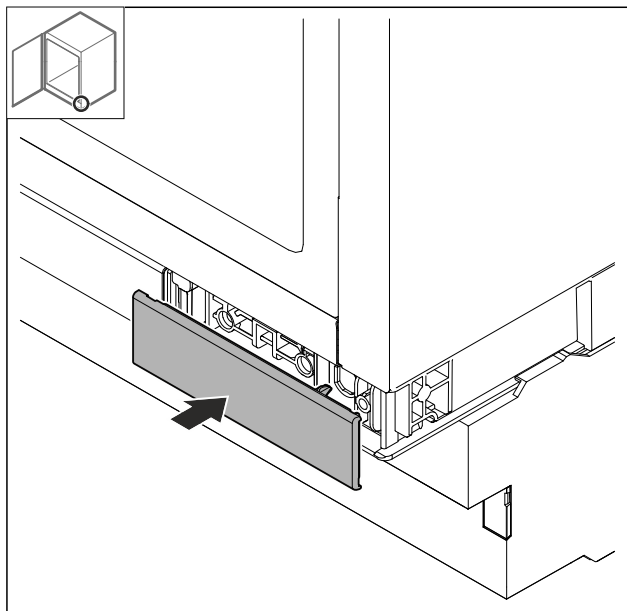


Fig. 82

- Put on the cover.

## 13 Recessed installation

### 13.1 Tool

Make sure that the following tools are available:

- Torx® 20
- Slotted screwdriver

- Measuring tape
- Pencil
- String
- Level

## Lateral fastening

- Substructure under hard worktop such as granite.
- The appliance is lower than the kitchen worktop when the feet are fully extended.
- Prerequisite: Unit side panel available for screwing.

## Ceiling fastening

- The appliance sits slightly braced under the worktop when the feet are fully extended.
- No granite plate.

## 13.2 Preparing the appliance

### Note

The door hinge can only be changed if there is sufficient space at the top to pull out the hinge mounting bracket and reinstall it on the opposite side. This is not usually the case after installation in the recess.

- ▶ Change the door hinge before the appliance is installed in the recess.

- ▶ Insert the IEC socket of the power cable completely into the appliance plug on the rear side of the appliance. Ensure the IEC socket is firmly in place.

- ▶ Use a string to route the power plug to a socket outlet that is freely accessible.

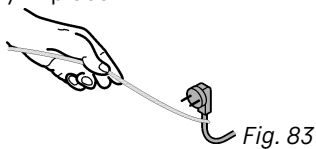


Fig. 83

### NOTICE

Risk of damage when moving the appliance! When moving the appliance, you may damage the floor or the appliance's adjustable feet may break off.

Before moving it:

- ▶ Turn the adjustable feet in fully.
- ▶ Place one strip of cardboard (e. g. from the packaging) under each adjustable foot with approx. 100 mm x 600 mm.

While moving:

- ▶ Move the appliance carefully.
- ▶ If the floor is not level: Lift the appliance carefully.

After moving it:

- ▶ Remove the cardboard strips.

## 13.3 Ceiling fastening

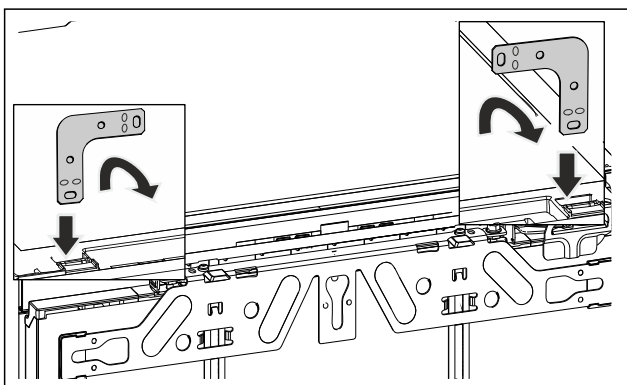


Fig. 84 Example illustration

- ▶ Insert the bracket into the opening in the appliance ceiling and bend it forward.



### WARNING

Risk of fire from short circuit!

- ▶ If you are pushing the appliance into the recess: Do not kink, trap, or damage the power cable.
- ▶ Do not operate the appliance with a defective power cable.

- ▶ Push the appliance into the recess and align it, see point (see 13.5 Aligning the appliance) .

## 13.4 Lateral fastening:

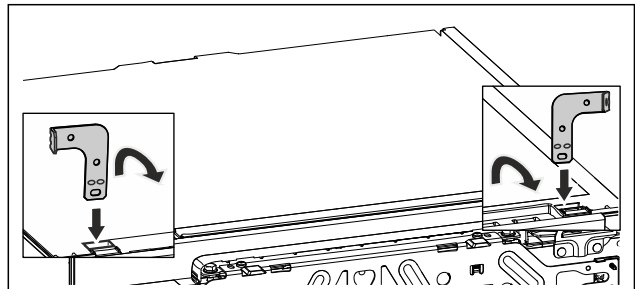


Fig. 85 Example illustration

- ▶ Bend both brackets at one end before installing. Insert the straight side into the opening in the appliance ceiling and bend it forward.



### WARNING

Risk of fire from short circuit!

- ▶ If you are pushing the appliance into the recess: Do not kink, trap, or damage the power cable.
- ▶ Do not operate the appliance with a defective power cable.

- ▶ Push the appliance into the recess and align it, see point (see 13.5 Aligning the appliance) .

## 13.5 Aligning the appliance

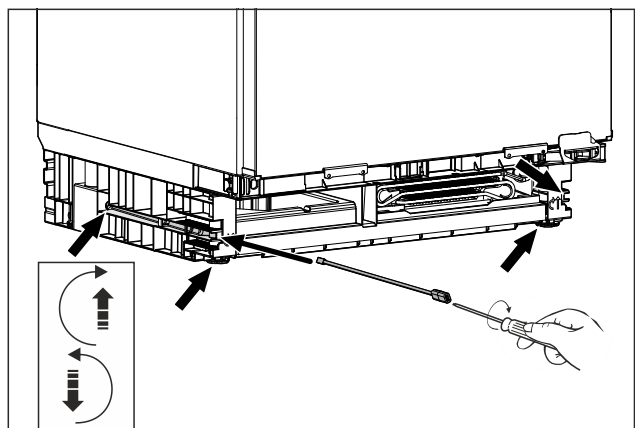


Fig. 86 Example illustration

- ▶ Unscrew the adjustable feet to below the worktop.
- ▶ Align the appliance so it stands up straight using a level.

# Installing the unit door

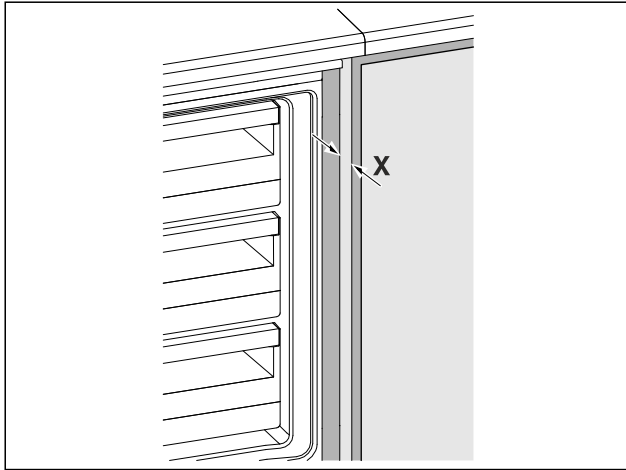


Fig. 87 Example illustration

- ▷ The distance from the front edge of the unit side panel to the appliance body on both sides is **X = 41.5 mm**.
- ▷ If there is no unit side panel, use the worktop as a guide.
- For units with door hinge parts (knobs, sealing lips, etc.):**
  - ▶ Subtract the installation dimension (depth of the door hinge parts) from the 41.5 mm insertion depth.
  - ▶ Unscrew the adjustable feet alternately to the maximum. The maximum adjustment range is 60 mm.
- ▷ The appliance is aligned so it stands up straight
- ▷ The appliance is slightly braced in the recess between the floor and worktop.

## 13.6 Installing the base

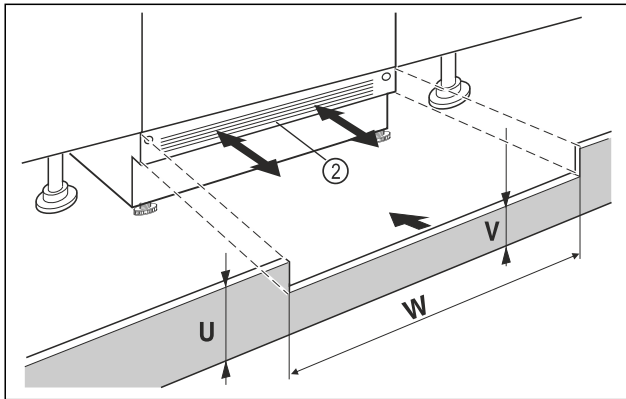


Fig. 88 Example illustration

- ▶ Put on the appliance base cover Fig. 88 (2) but do not fix it yet.
- ▶ Position the unit door and unit base cover for testing
- ▶ If the base cover Fig. 88 (2) is visible, pull it so far forward that the front edge of the ventilation grille and the unit base cover form one level.
- or-
- ▶ If the base cover is concealed Fig. 88 (2), push it all the way back.
- ▶ Ensure that the ventilation slots are completely free: If necessary, cut the height of the unit base cover Fig. 88 (U) to size!
- ▷ Adjust the bar height Fig. 88 (V) under the appliance base cover Fig. 88 (2) along the recess width Fig. 88 (W).

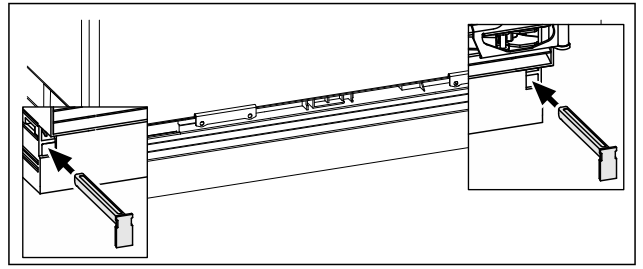


Fig. 89 Example illustration

- ▶ Fix the appliance base cover: Insert the latch while holding the appliance base cover.
- ▶ Fasten the unit base cover.

## 13.7 Fastening the appliance in the recess

### Ceiling fastening:

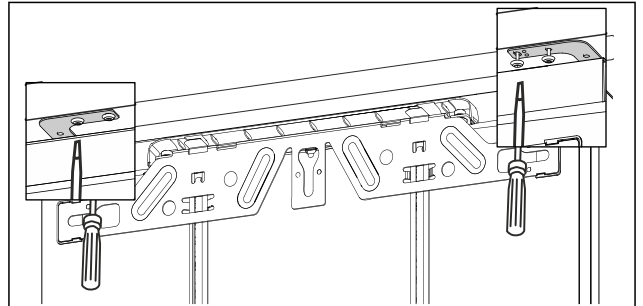


Fig. 90 Example illustration

- ▶ For fastening under the worktop, screw on the mounting brackets with two screws each underneath the worktop.

### Lateral fastening:

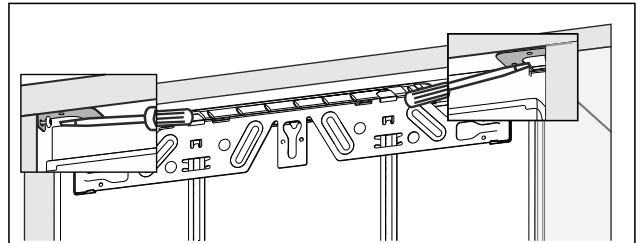


Fig. 91 Example illustration

- ▶ For lateral fastening, screw the mounting bracket into the recess with one screw each on the right and left.

## 14 Installing the unit door

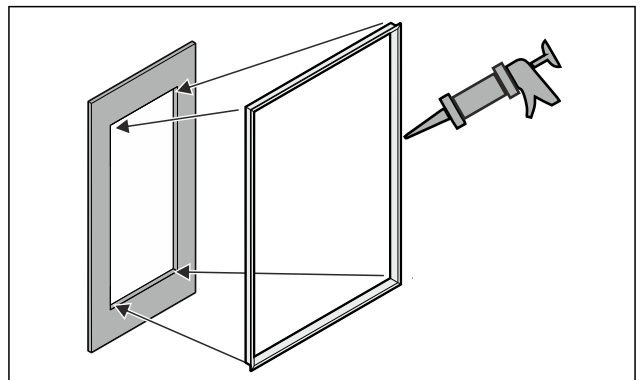
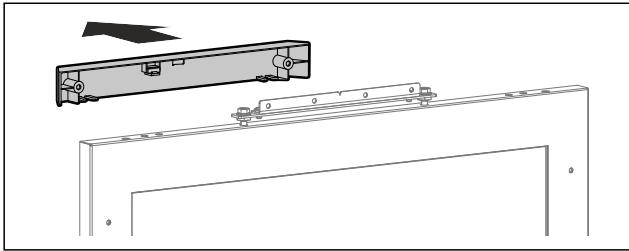


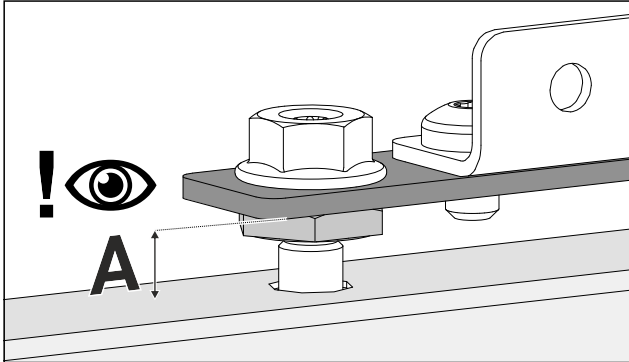
Fig. 92

- ▶ Glue the optional profile frame into the cutout. \*
- ▶ Install the handle on the unit door; it is not possible to install it later.

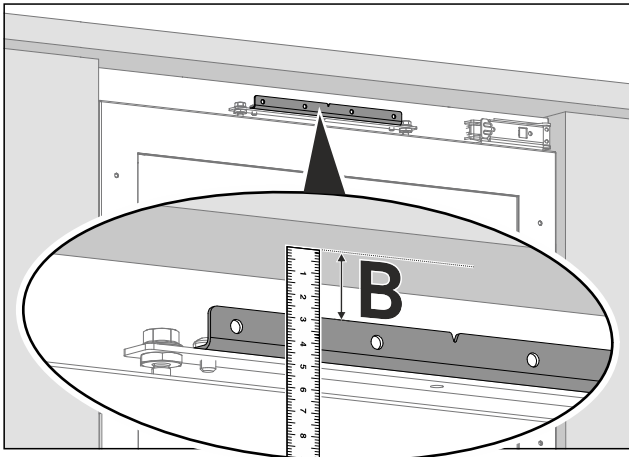
# Installing the unit door



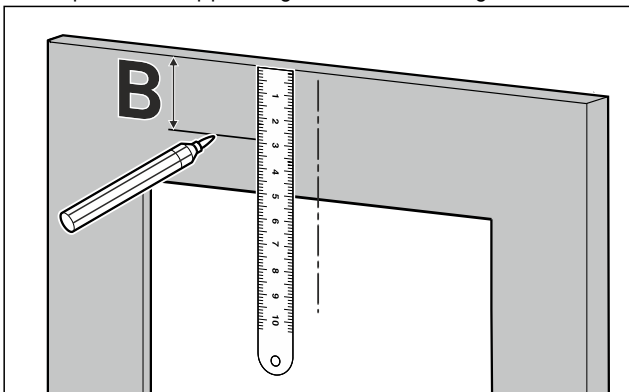
- ▶ Remove the cover.



- ▶ Check the presetting (A) of 8 mm (distance between appliance door and lower edge of mounting plate).
- ▶ Adjust the distance if necessary.



- ▶ Measure the distance (B) between the lower edge of the worktop and the upper edge of the mounting bracket.



- ▶ Transfer the distance (B) to the back of the unit door and mark it.

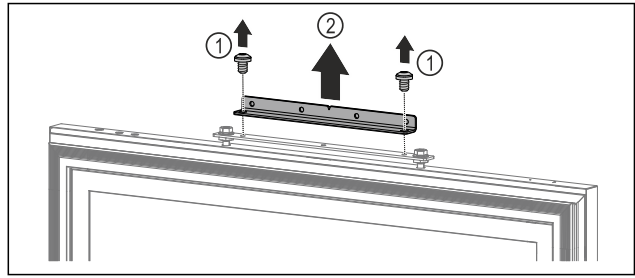
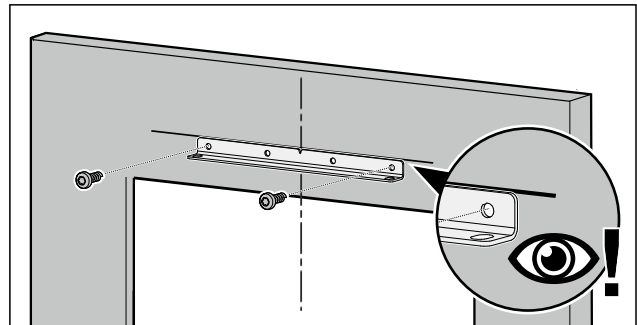


Fig. 93

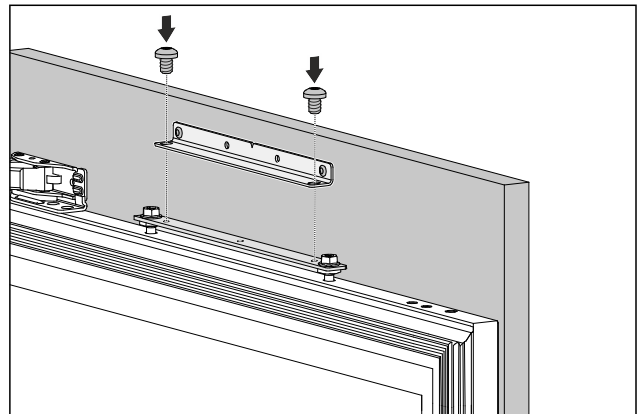
- ▶ Remove the screws. Fig. 93 (1)
- ▶ Remove the mounting bracket. Fig. 93 (2)

### Note

Pay attention to the length of the screws!



- ▶ Align the mounting bracket with the marked distance and screw it to the center of the unit door.



- ▶ Fasten the unit door to the appliance.
- ▶ Close the door.

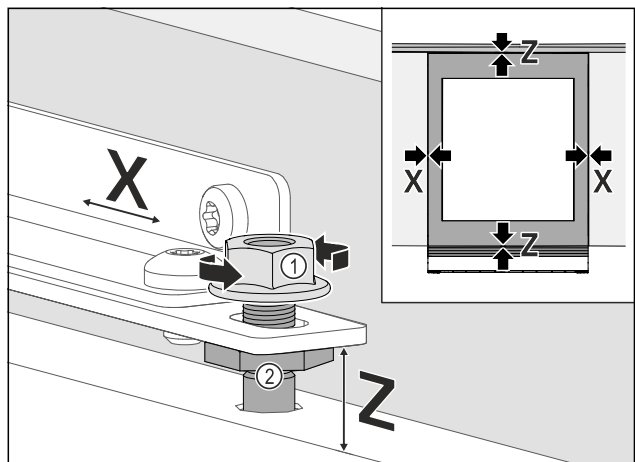


Fig. 94

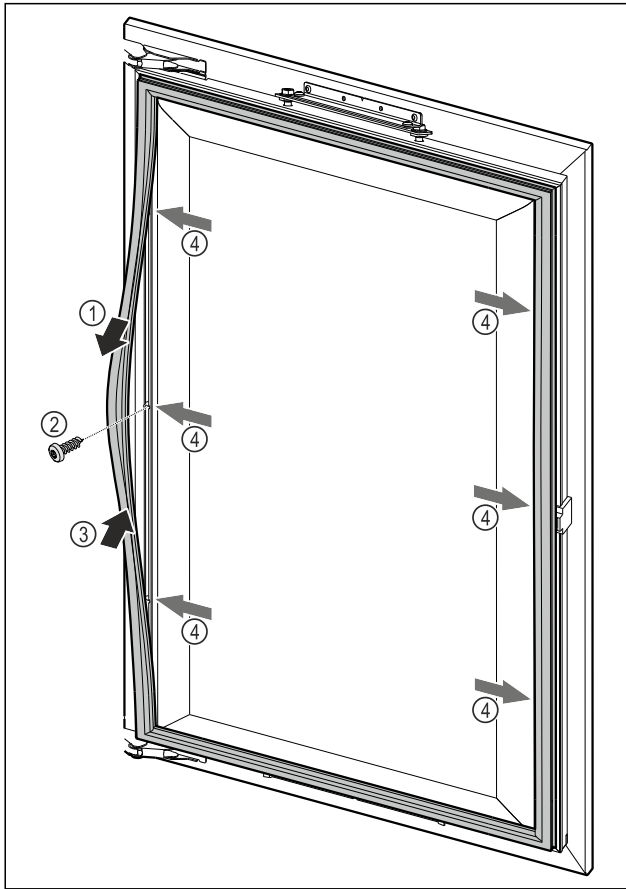
- ▶ Check the door spacing to the surrounding unit doors.
- ▶ Align the unit door laterally: Loosen the lock nut Fig. 94 (1), move the unit door in X direction.
- ▶ Tighten the lock nuts Fig. 94 (1).

# Connecting the appliance to the power supply

- ▶ Align the height **Z** and lateral inclination of the unit door: Set the adjustment bolt *Fig. 94 (2)*.
- ▷ The unit door is flush and aligned with the surrounding cabinet fronts.

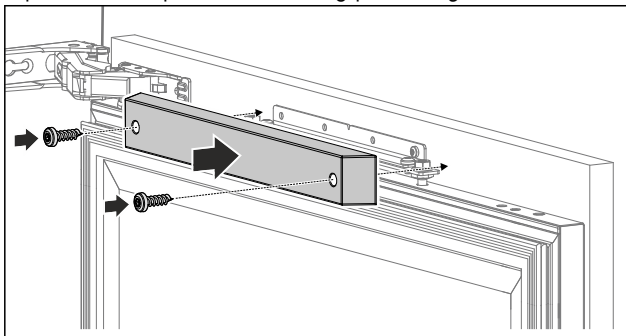
**Note**

Pay attention to the length of the screws!



*Fig. 95*

- ▶ Loosen the magnetic door seal at certain points *Fig. 95 (1)*, screw on the unit door through the drill hole underneath *Fig. 95 (2)* and snap the magnetic door seal back into place *Fig. 95 (3)*.
- ▶ Repeat this step at all fastening points *Fig. 95 (4)*.



- ▶ Put on the top cover and screw it on to ensure a proper closing function.

## 15 Connecting the appliance to the power supply



**WARNING**

Danger of electric shock and injury due to damaged appliance or damaged mains cable!  
Cuts and fatal injury. If the appliance or the mains cable is damaged during transport, you may be electrocuted. You could also cut yourself on damaged parts of the appliance housing.

- ▶ Check the appliance and the mains cable for damage after transport.
- ▶ Never put the appliance into operation if the appliance or the mains cable are damaged.
- ▶ Contact Customer Service.

You can connect your appliance to the mains using the power cable supplied separately. The mains power cable has an appliance coupler at one end and a mains plug at the other end.

Make sure that the following requirements are fulfilled:

- The appliance and power cable are undamaged.
- The appliance is installed in accordance with the regulations. (see 13 Recessed installation)
- Requirements for the electrical connection are met. (see 2 Setup conditions)
- Dimensions for connection in accordance with regulations are known and observed.
- Mains voltage and frequency correspond to the specifications on the type plate.
- The socket is grounded and fused in accordance with regulations.
- The tripping current for the fuse is between 10 A and 16 A.

**NOTICE**

Danger of damage to incorrect operation!  
Damage to the electrical components of the appliance.

- ▶ Only use the supplied power cable.

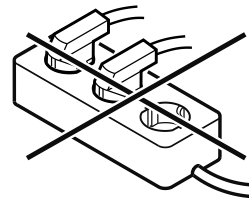


**WARNING**

Danger of fire due to incorrect connection!  
Burns.

Damage to the appliance.

- ▶ Do not use an extension cord.
- ▶ Do not use a multipoint connector strip.



**NOTICE**

Danger of damage to incorrect connection!  
Damage to the appliance.

- ▶ Do not connect the appliance to a stand-alone inverter, e.g. solar power systems and petrol generators.

- ▶ Connect the mains plug of the power cable to the power supply.
- ▷ If no action is taken within 60 seconds: Standby symbol fades or disappears.\*
- ▷ Appliance is connected. For initial commissioning, see the next chapter or the operating instructions.







[home.liebherr.com/fridge-manuals](https://home.liebherr.com/fridge-manuals)

**EN** Wine storage cabinet, built-in

Issue date: 20241122

**Part number index: 7088595-00**

Liebherr-Hausgeräte GmbH  
Memminger Straße 77-79  
88416 Ochsenhausen  
Deutschland