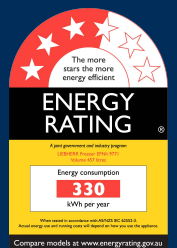


# EFNh 9771

Integrated freezer with NoFrost



Fully Integrated

# EFNh 9771

Integrated freezer with NoFrost

# LIEBHERR



↑  
213  
↓



Type	Fixed door / Built-in appliance for integrated use
Energy consumption (kWh/yr) / Star rating	330/3.5
Total volume	457 l <sup>1</sup>
Climate rating	SN-T (+10 °C to +43 °C)
Frequency / voltage	50/60 Hz / 220-240 V-
Connection Rating	2.0 A 236.2 W
Aperture dimensions in cm (h / w / d)	213.4 / 76.2 / min. 63.5
<b>Controls</b>	
Type of Control	3.5" LCD colour display, behind the door, touch- & swipe Digital temperature display
Door alarm	acoustic
Alarm in case of malfunction	visual and acoustic
Forced air system	PowerCooling
<b>Freezer compartment</b>	
Interior light	InfinityLight
Number of drawers	3 drawers with SoftTelescopic
IceMaker	with fixed 3/4" water connection, LED lighting
Ice cube capacity in 24 hours	1.6 kg
Ice cube stock	3.0 kg
Ice cube tray	1
<b>Features</b>	
Door hinges	Reversible door hinge, left
Replaceable door seal	yes
EAN-Nr.	9005382276617

<sup>1</sup> In accordance with Regulation EU 2019/2016 we indicate the total volume to the nearest integer (rounded off) and the volume of the frozen compartments and refrigeration compartments to one place after the decimal point.

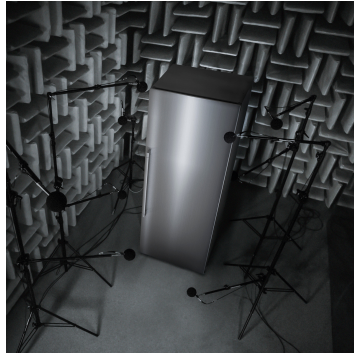
# Features

---



## German Engineering

Our superior products offer premium quality, cutting edge design, and innovative features that best fit your lifestyle. The use of high quality materials, perfectly detailed finishes, and elite cooling components are combined with the latest production processes, resulting in an outstanding cooling product.



## SuperQuiet

Noise levels are kept to a minimum thanks to virtually silent, speed-controlled, and sound absorbing compressors. Alongside a low noise cooling circuit, these features ensure exact performance, energy efficiency, and SuperQuiet operation.



## InfinitySwipe

For a touch more comfort, the user-friendly InfinitySwipe electronic touch control with a bright and clear 3.5-inch display can be operated intuitively and effortlessly via touch & swipe.



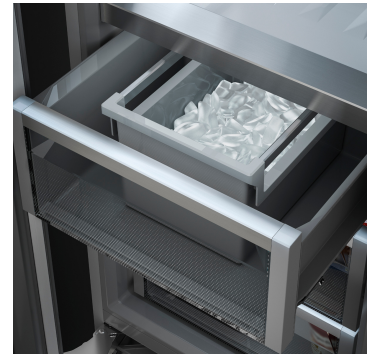
## InfinityLight

Monolith's seamlessly integrated LED side-wall lighting casts a beautiful and even glow that can be adjusted according to taste, including a soft brightening effect upon opening the doors, and a pleasing night dimming feature. InfinityLight doesn't just add drama and flair, it also emits less heat, preserving food quality.



## SuperFrost

Simply quick freeze just-bought groceries to preserve optimum food freshness, while sealing in flavors and maintaining essential vitamins and minerals.

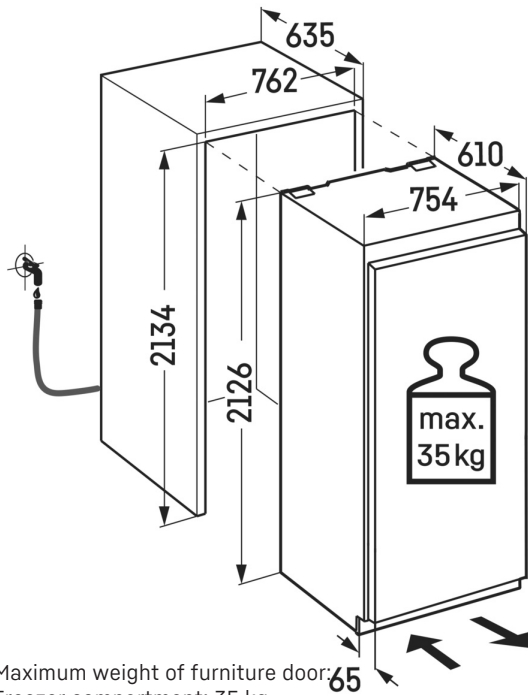


## IceMaker

Monolith's automatic IceMaker produces 1.6 kg (3.5 pounds) of filtered ice in 24 hours. Activate the SuperFrost function for an even greater production capability. With a 1.8 kg (4-pound) storage capacity, you'll never be without.

# Technical drawing

---



Maximum weight of furniture door: 65  
Freezer compartment: 35 kg

---

Products and their details are staged for advertising purposes. Whilst every effort is made to ensure all specifications and information in this flyer are accurate, Liebherr reserves the right to make changes without notification. Where actual appliance measurements, specifications, and ratings are crucial, we recommend that the actual appliance installation instructions that accompany each appliance be checked. Liebherr will not be liable for any damage. (21.10.2024)

