



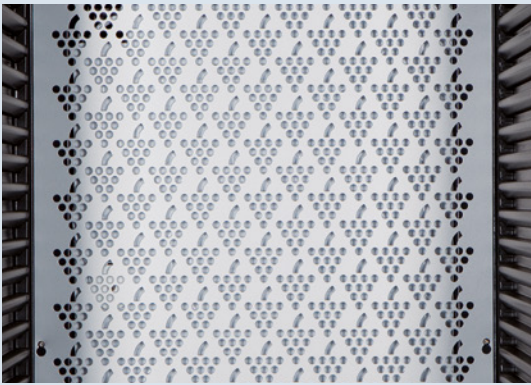
Perfect Display for  
all Your Favourites

Quality, Design and Innovation

Wkb 4612

**LIEBHERR**





**Optimum humidity:** Liebherr wine cabinets guarantee an optimum humidity and this ensured the corks are supple in place whilst still allowing the wine to breathe in its maturing process.



**LED lighting:** The tinted glass door provides not only a perfect UV protection, but also an optimum glance at wine. The integrated LED lighting ensures a pleasant illumination of the complete interior.



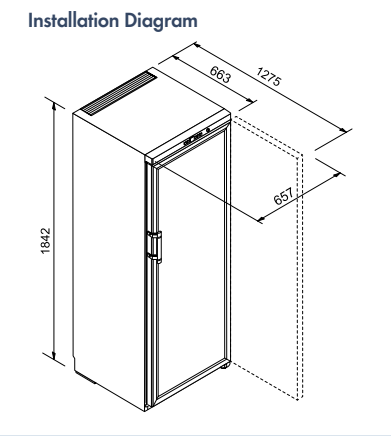
**Presentation shelf:** The presentation shelf, equipped with wooden angles, is ideal for presenting wine and storing open bottles safely. Up to 6 bottles can be set upright on the flexible shelf. In addition further bottles can be stored lying down either behind or at the side.

The interior of Liebherr's **WKb 4612** wine cabinet from the Barrique series has a constant temperature that can be set as needed between +5 °C to +20 °C. Wines are stored safely at all times on untreated wooden shelves while the activated charcoal filter provides optimal air quality.

With the capacity to hold 195 Bordeaux bottles, this spacious model is ideal for the long-term storage and maturation of wines. And thanks to its coated glass door, your prized collection is always well protected from UV radiation. Efficient LED lighting ensures that the interior is illuminated evenly and pleasantly. Add-on accessories<sup>1</sup> are also available for added flexibility.

**WKb 4612** LED Wine  
 Barrique

Sound rating dB(A) *	40
Total capacity litre	336
Max No. of Bordeaux bottles (0.75l) **	195
Number of shelves	7
Presentation shelf	1
Shelf material	Beech wood
Electronic control	LCD display, buttons
Temperature range °C	+5°C to +20°C
Temperature zones	1
Temperature alarm	Visual and audible
Interior light	LED
Door alarm	Audible
Safety thermostat	Yes
Activated charcoal filter	Yes
Door type	Tinted glazed door, black frame
Integrated lock	Yes
SoftSystem	No
Door hinges	Right, reversible
Product dimensions (H/W/D) cm	184.2 / 65.7 / 66.3
Gross / Net weight kg	96 / 86
Voltage V/Hz	220-240 / 50



\* Noise output - according to EN 60704-3  
 \*\* These models are only bound for storing wine. Max. DIN norm bordeaux bottle capacity (0.75 l) as per norm NF H 35-124 (H:300.5 mm, Ø 76.1mm)  
<sup>1</sup> Available accessories: Activated Charcoal Filter (Part no. 988129100), Regular Shelf (Part no. 711173400), Presentation Shelf (Part no. 711173600)

*Note: Whilst every effort is made to ensure all specifications and information in this flyer are accurate, Liebherr reserves the right to make changes without notification. Where actual appliance measurements, specifications, and ratings are crucial, we recommend that the actual appliance installation instructions that accompany each appliance be checked. Liebherr will not be liable for any loss.*